

ECOflo

High Efficiency Condensing Storage Water Heaters



Working towards
a cleaner future



ECOflo

High Efficiency Condensing Storage Water Heaters

ECOflo is the latest addition to the Andrews range of condensing storage water heaters and is designed for large domestic, commercial and industrial applications.

The high efficiency units incorporate Vitraglas® silica glass lined tanks to provide protection against the corrosive effect of hot water and guarantees a longer working life.

The condensing vitreous enamel-lined ultra high thermal efficiency storage water heater features a low NO_x pre-mix power burner that is quiet in operation, and a remarkable 98% max gross efficiency that keeps running costs to a minimum, plus flueing arrangements that offer unsurpassed installation flexibility.

ECOflo – a New Standard in Condensing Storage Water Heating

The ECOflo range comprises eight models in two storage capacities – 230/380 litres – with heat outputs ranging from 35kW to 118.7kW and recovery rates of up to 1900 litres/hour through a temperature rise of 50°C.

A thermal efficiency rate of up to 98% gross puts ECOflo at the top of the class and leads to greater economy.

In addition to outstanding performance characteristics, all ECOflo models can be flued either vertically or horizontally as room sealed balanced flue appliances, using concentric flue components supplied by Andrews offering the ultimate in siting and installation flexibility.

All models incorporate Correx Powered (maintenance free) Anodes as standard which substantially reduce service time and costs and the factory fitted Hydrojet® sediment reduction system on the cold inlet connection helps to prevent sediment build-up at the base of the tank giving a longer and more efficient working life.

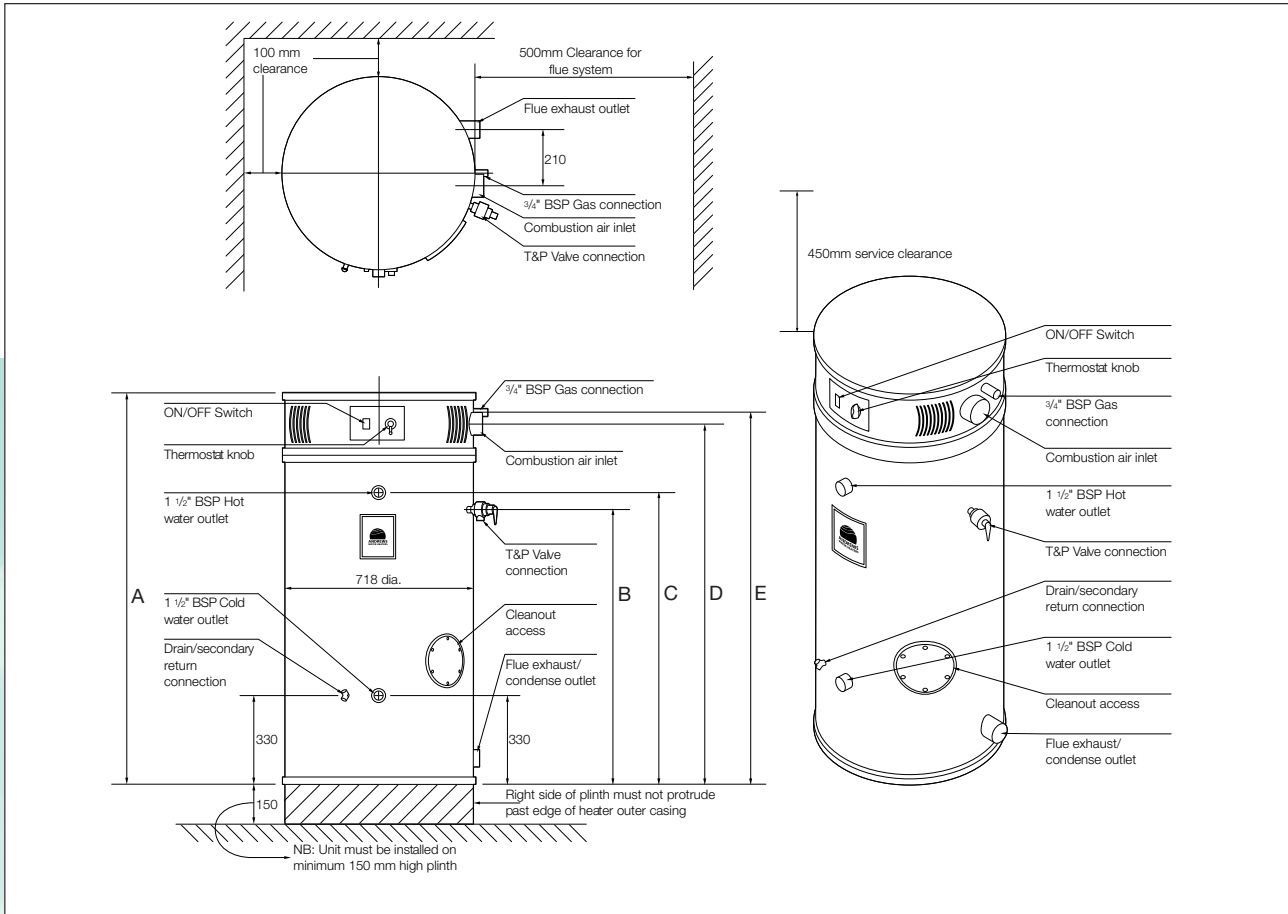


Honeywell control panel

Standard ECOflo Features

- Two storage capacities available, 230 litre and 380 litre
- Fully condensing, with efficiencies up to 98%
- Low NO_x pre-mix power burner
- Vitraglas® lined storage tank
- Room sealed balanced flue
- Three pass flue system
- Ultra quiet operation
- Electronic controls
- Factory installed Correx Powered Anode System (maintenance free)
- Factory installed Hydrojet® Sediment Reduction System
- Large hand hole cleanout opening
- Natural Gas and Propane models available
- Full BMS compatibility (B Series) – Standard issue
- BMS option (A Series) – Optional (B329)
- Energy Technology Listed (ECA)
- WRAS approved

Dimensions



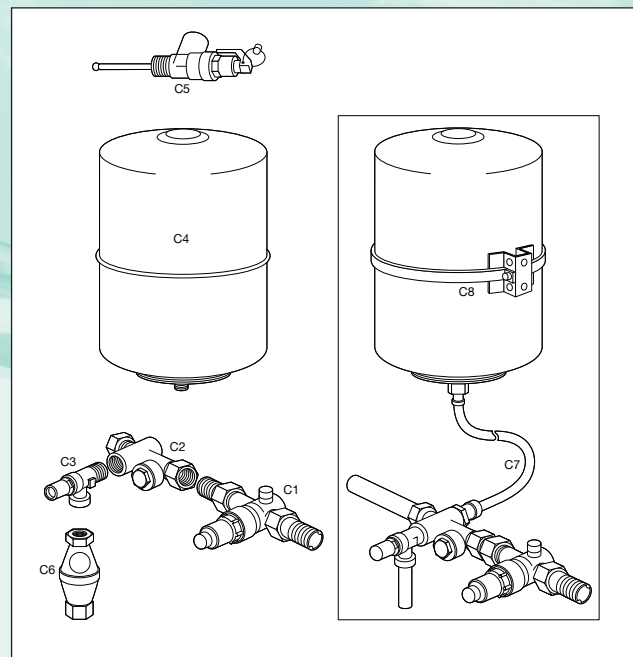
Model		A	B	C	D	E
EC230/600, EC230/700, EC230/960	mm	1448	1016	1080	1334	1359
EC380/740, EC380/980, EC380/1220, EC380/1400, EC380/1900	mm	1972	1524	1588	1857	1899

Note: Heights are given from bottom of heater and EXCLUDE a plinth

Unvented system kit

ECOflo Unvented System Kit B290 – Parts List

Part ref.	Part Number	Description	Qty
C1	C784	Combined Pressure Reducing Valve/Strainer	1
C2	C785	Check Valve Assembly	1
C3	C786	Expansion Valve	1
C4	C782	Expansion Vessel (25 Litre)	1
C5	C380	Temperature/Pressure Relief Valve 1"	1
C6	C384	Tundish from Expansion Valve and T/P Valve	1
B173		Expansion Vessel Wall Mounting Kit (Optional)	
C7	C788	Hose Assembly	1
C8	C787	Wall Bracket Assembly	1
N/A	E923	Plinth 150mm	



Specification

Model reference – Natural Gas		EC230/600	EC230/700	EC230/960	EC380/740	EC380/980	EC380/1220	EC380/1400	EC380/1900
Heat input (gross, G20)	kW	36.6	43.9	58.3	43.9	58.3	73.2	85	118.7
Heat output	kW	35.1	41.3	54.2	43.0	57.1	71.0	79.1	117.2
Natural Gas, category I2H Gas consumption G20	m ³ /h	3.41	4.09	5.43	4.09	5.43	6.82	7.92	11.33
Supply pressure	mbar	20	20	20	20	20	20	20	20
Gross thermal efficiency	%	96	94	93	98	98	97	93	94
Model reference – Propane		LEC230/600	LEC230/700	LEC230/960	LEC380/740	LEC380/980	LEC380/1220	LEC380/1400	LEC380/1900
Heat input (gross, G31)	kW	36.6	43.9	58.3	43.9	58.3	73.2	85	117.2
Heat output	kW	35.1	41.3	54.2	43.0	57.1	71.0	79.1	111.2
Propane Gas, category I3P Gas consumption G31	m ³ /h	1.39	1.67	2.22	1.67	2.22	2.78	3.12	4.46
Supply pressure	mbar	37	37	37	37	37	37	37	37
Gross thermal efficiency	%	96	94	93	98	98	97	96	94
Technical details – Natural Gas and Propane models									
Nox level	ppm mg/kWh	25 44	25 44	25 44	25 44	25 44	25 44	25 44	25 44
Noise level (a)	dB(A)	51	51	51	51	51	51	51	51
Standby heat loss	Mj/month	626	626	626	626	793	793	793	817
Recovery rate/hour thru' 50°C	litres	600	700	960	740	980	1220	1400	1900
Storage recovery time @ 50°C rise	mins	23	20	14	31	23	19	16	12
Flue size (concentric)	mm	100/150	100/150	100/150	100/150	100/150	100/150	100/150	100/150
Maximum flue run (concentric)	metres	16	16	16	16	16	16	16	16
Maximum flue run (conventional)		32 metres for all models							
Cold inlet water connection	BSP	1½"	1½"	1½"	1½"	1½"	1½"	1½"	1½"
Hot outlet water connection	BSP	1½"	1½"	1½"	1½"	1½"	1½"	1½"	1½"
Drain port connection	BSP	¾"	¾"	¾"	¾"	¾"	¾"	¾"	¾"
Secondary return connection	BSP	¾"	¾"	¾"	¾"	¾"	¾"	¾"	¾"
Operating pressure (unvented)	bar	3.5	3.5	3.5	3.5	3.5	3.5	3.5	3.5
Maximum working pressure (vented)	bar	10.3	10.3	10.3	10.3	10.3	10.3	10.3	10.3
Maximum test pressure	bar	20.7	20.7	20.7	20.7	20.7	20.7	20.7	20.7
Minimum water pressure	bar	1	1	1	1	1	1	1	1
Gas connection dia.	BSP	¾" BSP	¾"	¾"	¾"	¾"	¾"	¾"	1"
Electrical supply		230v/50Hz	230v/50Hz	230v/50Hz	230v/50Hz	230v/50Hz	230v/50Hz	230v/50Hz	230v/50Hz
Fuse	amp	5	5	5	5	5	5	5	5
Power consumption	W	120	120	120	120	120	120	120	120
Storage	ltr	230	230	230	380	380	380	380	380
Shipping weight empty	kg	259	259	259	408	408	408	408	408
Weight full	kg	450	450	450	760	760	760	760	760
Shipping dimension – depth	mm	889	889	889	889	889	889	889	889
Shipping dimension – width	mm	819	819	819	819	819	819	819	819
Shipping dimension – height	mm	1664	1664	1664	2197	2197	2197	2197	2197
Height to lid	mm	1448	1448	1448	1972	1972	1972	1972	1972
Plinth minimum	mm	150	150	150	150	150	150	150	150
Diameter	mm	718	718	718	718	718	718	718	718
Minimum headroom service clearance	mm	450	450	450	450	450	450	450	450

(a) Noise level measured at 2m from flue terminal

(b) Reduce flue length by 1.2m for 90° bend, 0.7m for 45° bend and 1.5m for condense trap

The ECOflo range features mild steel tanks and fully automatic electronic control with BEMS interface as standard – **only** on B Series.

PART OF BDR THERMEA

Baxi Commercial Division
Wood Lane, Erdington,
Birmingham B24 9QP

Sales:

0845 070 1056

Technical:

0845 070 1057



Email: andrews@baxicommercialdivision.com
www.andrewswaterheaters.co.uk

