

BAXI



EcoBlue combi, system and heat only boilers

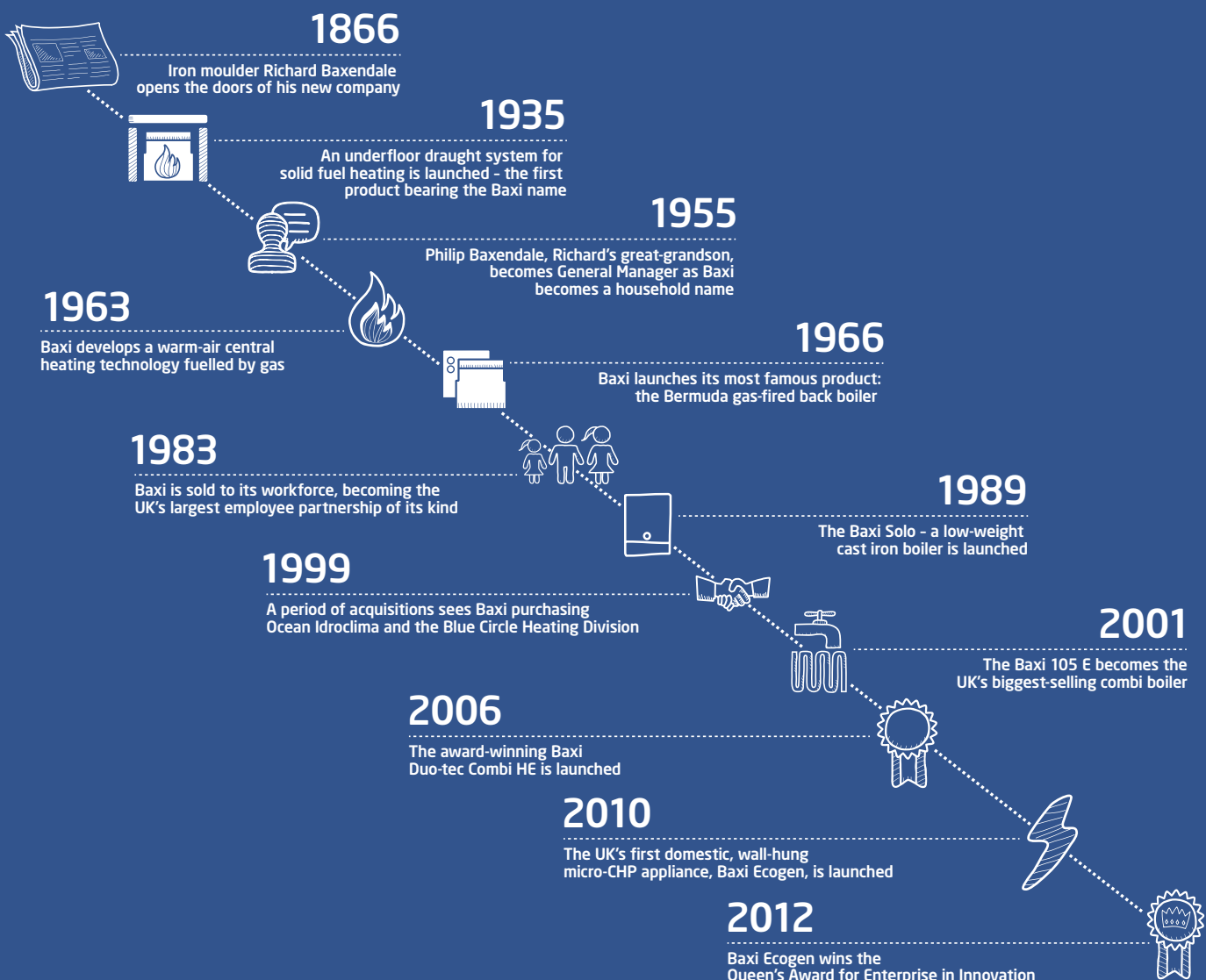
Range guide

A brand you can trust

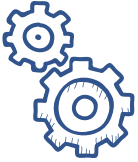
Baxi has been manufacturing in the UK for nearly 150 years. It has a heritage of providing cutting edge heating products for homes and is the best known boiler manufacturer amongst homeowners†.

We continue to invest in the business to provide reliable, energy efficient heating and hot water products, backed by industry-leading customer support, nationwide availability of parts and training.

A brief history of Baxi



†According to independent research.



Works

Sign up to works, Baxi's online loyalty scheme for installers. Benefits include:

- Free Gas Safe notification – save £2.20 + VAT on every registration
- Priority engineer call out and aftersales support
- Free annual service reminder sent to your customers on your behalf
- Find an Installer listing on the Baxi website to promote your business
- Great rewards – business points for every appliance you register

Visit works2gether.co.uk to find out more



Events

Visit Baxi Area Sales Managers at your local merchant for an opportunity to get your hands on the latest Baxi boilers and discuss developments in the heating industry.

For more information and to join us at a merchant local to you, visit baxievents.co.uk

Literature

You can order all the literature you need for you and your customers, including:

- Range guides
- Product brochures for consumers
- Installation instructions
- User guides
- Instructions for discontinued products

Call the Baxi literature hotline on **0844 871 1525** or contact your Baxi Area Sales Manager.

All our literature can be downloaded from our website baxi.co.uk



Baxi make it easy



Introducing Baxi EcoBlue

The Baxi EcoBlue range of boilers, including combi, system and heat only, has been designed with you, the installer, in mind, for reliability, easy installation and efficiency. In fact, the final products have been based on extensive research, talking to installers all over the country.

Reliability

We have invested in state-of-the-art laboratory testing equipment and have carried out extensive field trials, so we are confident our boilers will deliver exceptional reliability. They are built using high quality Baxi Genuine Parts, which are approved under the Gas Appliance Directive to meet European legislation, to make sure your customers are safe and our boilers are reliable.

Easy to install

We have incorporated the features you told us were important to you, like a simple to fix wall mounting jig with easy access to all the boiler connections, plug-in controls that you don't have to wire in, an easily accessible gas testing point and a pressure gauge on the front of the boiler – all small things that will make your job easier.

Convenient packaging

We've also made the packaging more convenient – packing them upright means boilers are easier to transport, you can always tell which way is 'up', and when you open them, all the components can be unpacked in the order you need them. So if you want to fit the jig and pipework, and come back later to hang the boiler, you can – easily. It's a simple thing, but will help you save time on the job.

Energy efficiency

Your customers will be delighted too. Baxi EcoBlue boilers are extremely energy efficient, so they can help to reduce household energy bills by up to £300 a year**. With a wide range of models and outputs to suit every property and every pocket, Baxi EcoBlue boilers are stylish and compact, easy to use and with a modulation of 1:5, are economical to run.

*Except Baxi EcoBlue Heat and Baxi EcoBlue Advance Heat which do not have plug in controls.

**According to the Energy Saving Trust.



5yr
WARRANTY*

**COMPACT
SIZE**

**PLUG-IN
CONTROLS**

**FRONT
ACCESS TO
COMPONENTS**

**FULL WALL
MOUNTING
JIG**

Key features

Outputs: 24kw, 28kw and 33kw

Compact size

Baxi EcoBlue + Combi has a 5 year warranty*

Full wall mounting jig with positive fixing, easy to access boiler connections, gas test point on gas tap and integral filling loop

One metre lead included

Full range of plug-in timers

Front access to all components

Industry leading choice of flue lengths, bends and accessories

Benefits

To suit most property sizes

Fits standard 300mm deep cupboard

For extra peace of mind

Straightforward and quicker installation and commissioning

Easy to install and you don't need access to the control box

Simple fixing into fascia saves time

Straightforward and quick servicing

For versatile siting

* Subject to registration and an annual service. Terms and conditions apply. Visit baxi.co.uk/warranty



What can I say – a good boiler! It is very light, compact and only took me a couple of hours to install. Would definitely use again and recommend to others.

Gurmukh Bansal
AS Builder

Baxi EcoBlue + Combi

The Baxi EcoBlue + Combi is small enough to fit into a standard 300mm deep cabinet, making it particularly suitable for homes where space is at a premium. It is a powerful little boiler, delivering excellent flow rates for your customers' comfort and convenience; plus a 5 year extended warranty* as standard.

Accessories

The following accessories are compatible with the Baxi EcoBlue + Combi.



Baxi plug-in mechanical timer



Baxi plug-in digital timer



Baxi wireless mechanical RF thermostat



Baxi single channel wired programmable room thermostat



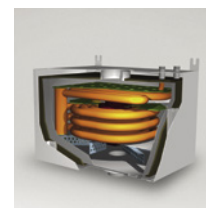
Baxi single channel wired programmer



Baxi room thermostat



Baxi wired outdoor weather sensor – combi



Multifit GasSaver GS1c

Technical specifications

HOW WE MAKE IT EASY

Easy to install and you don't need access to the control box.



Boiler dimensions

Width [A]	Height [B]	Depth [C]
390mm	700mm	295mm

Service clearances

Side [D]	Upper [E]	Lower [F]	Front [G]
5mm*	175mm*	150mm*	5mm* in operation, 450mm* for servicing

*These are the minimum recommended dimensions. Greater clearance will aid installation and maintenance.



What's in the box?



EcoBlue + Combi Boiler



Pre-plumbing jig (including isolation valves)



Literature pack



Fittings pack

Technical details

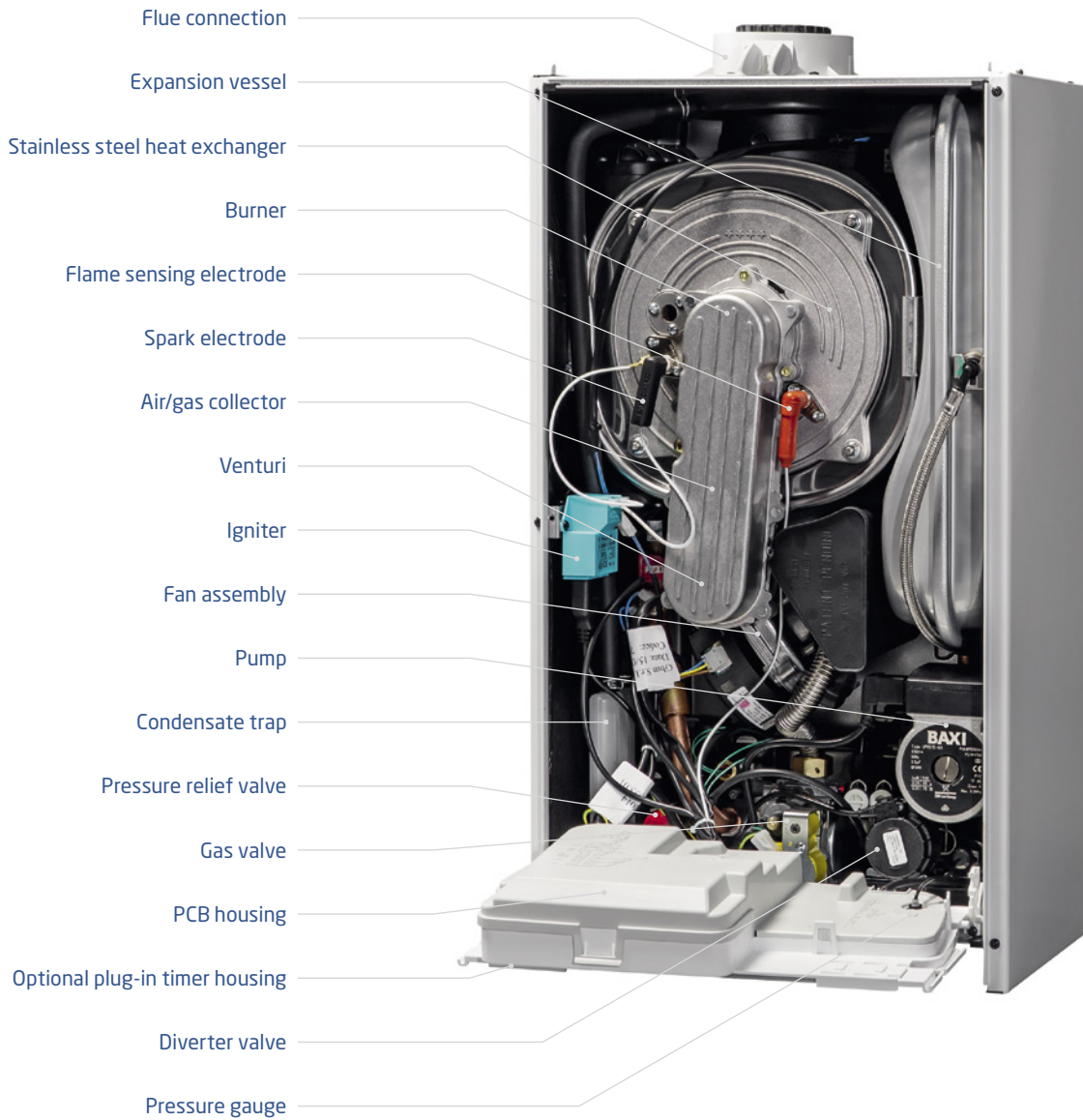
Baxi EcoBlue + Combi

		24	28	33
Sales code	Boiler only	7200244	7200245	7200246
Controls				
Concealed user controls		✓	✓	✓
Operating mode selector switch with reset		✓	✓	✓
User adjustable DHW temperature	Range - 40°C to 60°C	✓	✓	✓
User adjustable CH temperature	Range - 25°C to 80°C	✓	✓	✓
Temp/status/ fault diagnosis display		LCD display	LCD display	LCD display
Baxi plug-in mechanical timer		Optional	Optional	Optional
Baxi plug-in digital timer		Optional	Optional	Optional
Baxi wireless mechanical RF thermostat		Optional	Optional	Optional
Baxi wired outdoor weather sensor - combi		Optional	Optional	Optional
Baxi single channel wired programmable room thermostat		Optional	Optional	Optional
Baxi single channel wired programmer		Optional	Optional	Optional
Baxi room thermostat		Optional	Optional	Optional
Gas				
SEDBUK 2005 seasonal efficiency	Band	A	A	A
	%	91.1	91.1	91.1
NOx class		5	5	5
Output CH (non condensing)	kW (max)	20	24	28
	kW (min)	4.6	5.5	6.6
Gas supply pipe size	(mm)	22	22	22
Inlet supply pressure (natural gas)	mbar (nominal)	20	20	20
Maximum gas rate (nat gas after 10 mins)	m ³ /hr	2.61	3.05	3.59
Mechanical and hydraulic				
Domestic hot water (DHW)	Input - kW (max) gross	27.4	32.1	37.7
	Input - kW (max) net	24.7	28.9	34.0
	Output - kW (max)	24	28	33
Maximum DHW flow rate (Delta T @ 35° max)	l/min	9.8	11.5	13.5
Minimum DHW Flow rate required	l/min	2.0 (see note 2)	2.0 (see note 2)	2.0 (see note 2)
Minimum operating DHW pressure required	bar	0.15	0.15	0.15
Maximum DHW system pressure	bar	8	8	8
Safety discharge pressure	bar	3.0	3.0	3.0
Compartment ventilation required		x	x	x
Flow / return pipe size	(mm)	22	22	22
Temporary filling loop supplied		✓	✓	✓
Integral expansion vessel	Size (litres)	8	8	8
CH system inhibitor required		✓	✓	✓
Condensate discharge pipe size	(mm)	21.5	21.5	21.5
Electrical				
Electrical supply	Volts / Hz	230V / 50Hz	230V / 50Hz	230V / 50Hz
Permanent live required	Yes / no	✓	✓	✓
Electrical power cable fitted as standard	1m of 3 core	✓	✓	✓
Power consumption when firing	Watts	123	132	135
External fuse rating	Amps	3	3	3
Internal fuse rating	AH	F2L	F2L	F2L
Boiler IP rating (electrical protection) without integral timer fitted	Approval category	IPX5D	IPX5D	IPX5D
Circulating pump exercise feature		✓	✓	✓
Pump overrun		✓	✓	✓
Integral 'boiler only' frost thermostat		✓	✓	✓
Concentric flue system				
Standard telescopic concentric flue	Length in mm	315-500	315-500	315-500
Horizontal concentric (60/100 mm)	Max equivalent length (m)	10	10	10
	Reduction per 135° bend (m)	0.5	0.5	0.5
	Reduction per 93° bend (m)	1	1	1
Horizontal concentric (80/125 mm)	Max equivalent length (m)	20	20	20
Twin pipe flue system				
Horizontal twin tube (80/80 mm)	Max equivalent length (both tubes in parallel) (m)	15	15	15
	Reduction per 135° bend (m)	0.25	0.25	0.25
	Reduction per 93° bend (m)	0.5	0.5	0.5
Weights				
Installer lift weight (boiler)	Max (kg)	34.0	34.0	36.0
Gross packaged boiler weight	(kg)	39.2	39.2	41.2

Note 2 - Where low flow taps or fittings are intended to be used in DHW systems connected to Baxi combination boilers it is strongly recommended that the DHW flow rate does not fall below 2.5 l/min to ensure reliable operation.

What's inside the boiler?

Baxi EcoBlue + Combi



HOW WE MAKE IT EASY

Front access to
all components

Flues

Horizontal concentric flues Ø 60/100mm

Multifit flue group A

Item description	Colour	Specification	Key and OD dimensions	Sales code
1 Horizontal telescopic flue inc. low profile elbow and fixing screws	White pipe/white terminal	315mm - 500mm	100mm	720599401
2 Horizontal telescopic flue inc. low profile elbow and fixing screws	White pipe/black terminal	315mm - 500mm	100mm	720598701
3 1m flue extension inc. fixing screws	White	1000mm	100mm	720648801
4 93° flue bend inc. fixing screws	White	93°	100mm	720648401
5 135° flue bend inc. fixing screws (pair)	White	135°	100mm	720647901

Plume displacement kits Ø 60/100mm

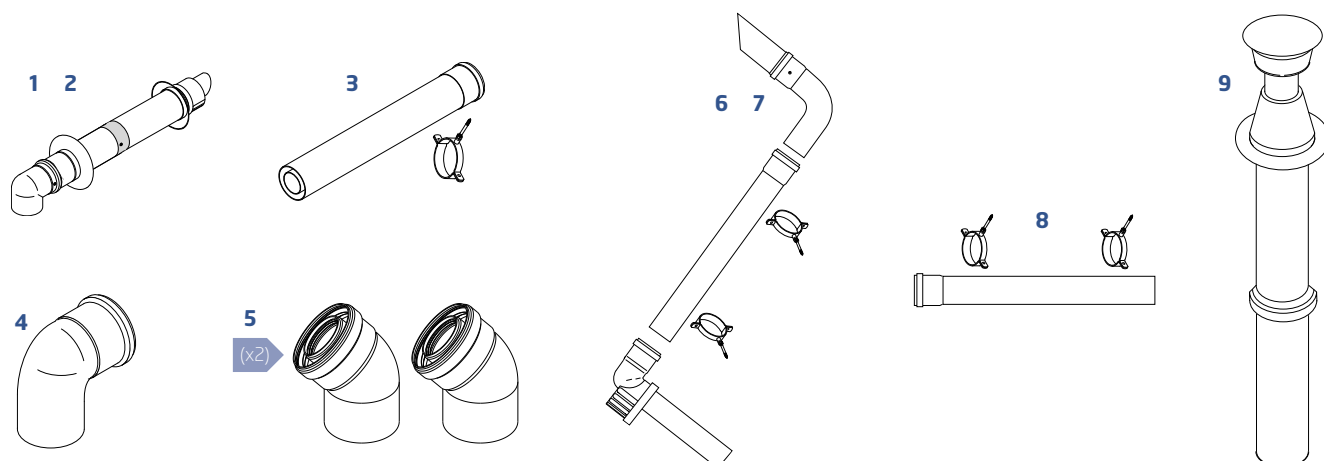
Multifit flue group A

Item description	Colour	Specification	Key and OD dimensions	Sales code
6 Plume displacement terminal kit inc. 1m extension and brackets	White		60mm	720627001
7 Plume displacement terminal kit inc. 1m extension and brackets	Black		60mm	720622901
8 Plume displacement kit extension and brackets	White	1000mm	60mm	720643401

Vertical concentric flues Ø 60/100mm

Multifit flue group A

Item description	Colour	Specification	Key and OD dimensions	Sales code
9 Vertical flue terminal	Black		100mm	5118576
3 1m flue extension inc. fixing screws	White	1000mm	100mm	720648801
4 93° flue bend inc. fixing screws	White	93°	100mm	720648401
5 135° flue bend inc. fixing screws (pair)	White	135°	100mm	720647901





5yr
WARRANTY*

**COMPACT
SIZE**

**PLUG-IN
CONTROLS**

**FRONT
ACCESS TO
COMPONENTS**

**FULL WALL
MOUNTING
JIG**

Key features

Outputs: 12kW, 15kW, 18kW, 24kW, 28kW, 32kW

Compact size**

Full wall mounting jig with positive fixing, easy to access boiler connections, gas test point on gas tap and integral filling loop

Full range of plug-in timers

Industry leading choice of flue lengths, bends and accessories

One metre lead included

Front access to all components

Benefits

Suitable for all sizes and styles of property

Will fit inside a standard 300mm deep cabinet**

Straightforward and quicker installation and commissioning

Simple fixing into fascia saves time

For versatile siting

Easy to install and you don't need access to the control box

Straightforward and quick servicing

* Subject to registration and an annual service. Terms and conditions apply. Visit baxi.co.uk/warranty

** With the exception of the 32kW model which is a standard full size boiler.



Our company has every confidence in all Baxi products especially the new products which are coming to market. Baxi listens very carefully to installers, which is really important.

Nick Walmsley,
AGS Heating & Plumbing Ltd

Baxi EcoBlue System

The compact dimensions** of the Baxi EcoBlue System boiler make it perfect for discreet siting, especially when space is at a premium. It is designed for fully pumped sealed systems and can be installed with an unvented cylinder, such as the Heatrae Sadia Megaflo Eco. For homes with a high demand for hot water, or with more than one bathroom, it will satisfy hot water requirements while also providing heating comfort.

Accessories

The following accessories are compatible with the Baxi EcoBlue System.



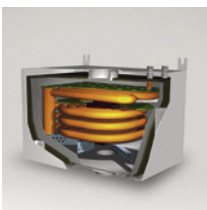
Baxi twin channel wired programmer



Baxi room thermostat



Baxi wired outdoor weather sensor system



Multifit GasSaver GS1



Baxi Solarflo solar thermal system



Megaflo Eco and Megaflo Eco Solar hot water storage cylinders

Technical specifications

HOW WE MAKE IT EASY

Suitable for all sizes and styles of property



Boiler dimensions

	Width [A]	Height [B]	Depth [C]
Models 12, 15, 18, 24 and 28	390mm	700mm	295mm
Model 32 only	450mm	763mm	345mm

Service clearances

Side [D]	Upper [E]	Lower [F]	Front [G]
5mm*	175mm*	150mm*	5mm* in operation, 450mm* for servicing

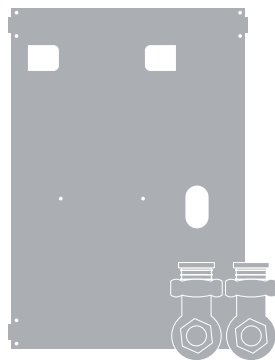
*These are the minimum recommended dimensions. Greater clearance will aid installation and maintenance.



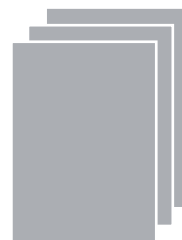
What's in the box?



EcoBlue System Boiler



Pre-plumbing jig (including isolation valves)



Literature pack



Fittings pack

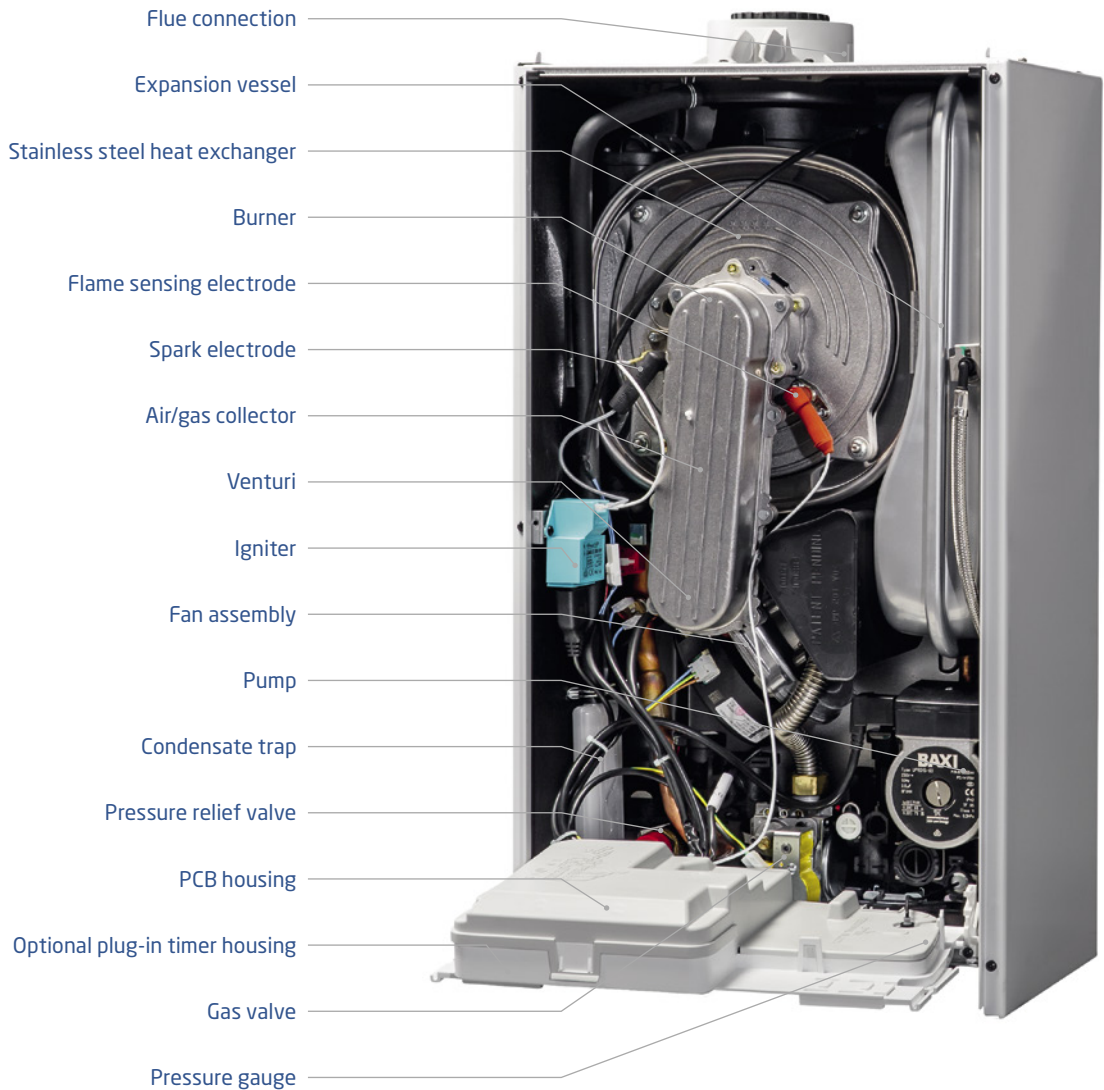
Technical details

Baxi EcoBlue System

		12	15	18	24	28	32
Sales code	Boiler only	7211527	7211528	7211529	7211530	7211531	7211532
Controls							
Concealed user controls		✓	✓	✓	✓	✓	✓
User adjustable CH temperature	Range - 25°C to 80°C	✓	✓	✓	✓	✓	✓
Temp/status/ fault diagnosis display		LCD display	LCD display	LCD display	LCD display	LCD display	LCD display
Baxi twin channel wired programmer		Optional	Optional	Optional	Optional	Optional	Optional
Baxi room thermostat		Optional	Optional	Optional	Optional	Optional	Optional
Baxi wired outdoor weather sensor system		Optional	Optional	Optional	Optional	Optional	Optional
Gas							
SEDBUK 2005 seasonal efficiency	Band	A	A	A	A	A	A
	%	91.2	91.2	91.2	91.2	91.2	91.2
NOx class		5	5	5	5	5	5
Input CH	kW (max) gross	13.3	16.6	20.0	26.6	31.1	35.5
	kW (max) net	12.0	15.0	18.0	24.0	28.0	32.0
	kW (min) gross	2.7	3.4	4.0	5.2	5.9	7.0
	kW (min) net	2.4	3.1	3.6	4.7	5.3	6.3
Output CH (non condensing)	kW (max)	12.0	15.0	18.0	24.0	28.0	32.0
	kW (min)	2.3	3.0	3.5	4.6	5.1	6.1
Gas supply pipe size	(mm)	22	22	22	22	22	22
Inlet supply pressure (natural gas)	mbar	20	20	20	20	20	20
Maximum gas rate (nat gas after 10 mins)	m ³ /hr	1.27	1.58	1.90	2.54	2.96	3.38
Mechanical and hydraulic							
Safety discharge pressure	bar	3.0	3.0	3.0	3.0	3.0	3.0
Bypass required		x	x	x	x	x	x
Compartment ventilation required		x	x	x	x	x	x
Flow / return pipe size	(mm)	22	22	22	22	22	22
Integral expansion vessel	Size (litres)	8	8	8	8	8	10
CH system inhibitor required		✓	✓	✓	✓	✓	✓
Condensate discharge pipe size	(mm)	21.5	21.5	21.5	21.5	21.5	21.5
Electrical							
Electrical supply	Volts / Hz	230V / 50Hz	230V / 50Hz	230V / 50Hz	230V / 50Hz	230V / 50Hz	230V / 50Hz
Permanent live required		✓	✓	✓	✓	✓	✓
Electrical power cable fitted as standard	1m of 3 core	✓	✓	✓	✓	✓	✓
Power consumption when firing	Watts	108	108	125	123	137	140
External fuse rating	Amps	3	3	3	3	3	3
Internal fuse rating	AH	F2L	F2L	F2L	F2L	F2L	F2L
Boiler IP rating (electrical protection) without integral timer fitted	Approval category	IPX5D	IPX5D	IPX5D	IPX5D	IPX5D	IPX5D
Circulating pump exercise feature		✓	✓	✓	✓	✓	✓
Pump overrun		✓	✓	✓	✓	✓	✓
Integral 'boiler only' frost thermostat		✓	✓	✓	✓	✓	✓
Concentric flue system							
Standard telescopic concentric flue	Length in mm	315-500	315-500	315-500	315-500	315-500	315-500
Horizontal concentric (60/100 mm)	Max equivalent length (m)	10	10	10	10	10	10
	Reduction per 135° bend (m)	0.5	0.5	0.5	0.5	0.5	0.5
	Reduction per 93° bend (m)	1	1	1	1	1	1
Horizontal concentric (80/125 mm)	Max equivalent length (m)	20	20	20	20	20	20
Twin pipe flue system							
Horizontal twin tube (80/80 mm)	Max equivalent length (both tubes in parallel) (m)	15	15	15	15	15	15
	Reduction per 135° bend (m)	0.25	0.25	0.25	0.25	0.25	0.25
	Reduction per 93° bend (m)	0.5	0.5	0.5	0.5	0.5	0.5
Weights							
Installer lift weight	Max (kg)	32.5	32.5	32.5	32.5	34.5	37.5
Gross packaged boiler weight	(kg)	37.1	37.1	37.1	37.1	39.1	43.2

What's inside the boiler?

Baxi EcoBlue System



HOW WE MAKE IT EASY

Front access to
all components

Flues

Horizontal concentric flues Ø 60/100mm

Multifit flue group A

Item description	Colour	Specification	Key and OD dimensions	Sales code
1 Horizontal telescopic flue inc. low profile elbow and fixing screws	White pipe/white terminal	315mm - 500mm	100mm	720599401
2 Horizontal telescopic flue inc. low profile elbow and fixing screws	White pipe/black terminal	315mm - 500mm	100mm	720598701
3 1m flue extension inc. fixing screws	White	1000mm	100mm	720648801
4 93° flue bend inc. fixing screws	White	93°	100mm	720648401
5 135° flue bend inc. fixing screws (pair)	White	135°	100mm	720647901

Plume displacement kits Ø 60/100mm

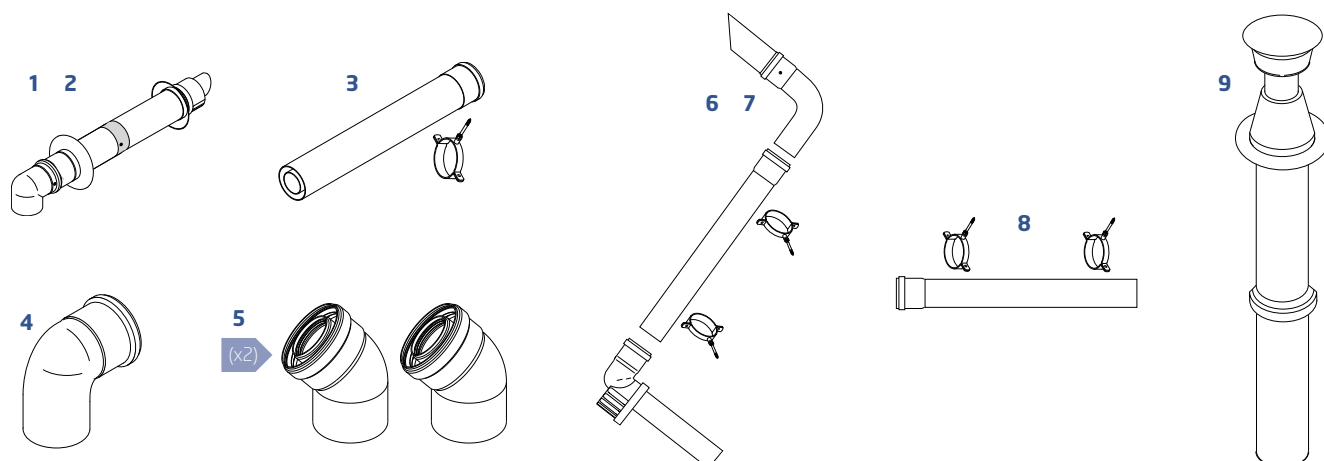
Multifit flue group A

Item description	Colour	Specification	Key and OD dimensions	Sales code
6 Plume displacement terminal kit inc. 1m extension and brackets	White		60mm	720627001
7 Plume displacement terminal kit inc. 1m extension and brackets	Black		60mm	720622901
8 Plume displacement kit extension and brackets	White	1000mm	60mm	720643401

Vertical concentric flues Ø 60/100mm

Multifit flue group A

Item description	Colour	Specification	Key and OD dimensions	Sales code
9 Vertical flue terminal	Black		100mm	5118576
3 1m flue extension inc. fixing screws	White	1000mm	100mm	720648801
4 93° flue bend inc. fixing screws	White	93°	100mm	720648401
5 135° flue bend inc. fixing screws (pair)	White	135°	100mm	720647901





5yr
WARRANTY*

ONLY
19.5kg

POSITIVE
FIX WALL
MOUNTING
PLATE

REAR
FLUE
OPTION

NO
PUMP
OVERRUN

FRONT
AND SIDE
ACCESS

Key features

Outputs: 13kW, 16kW, 19kW, 25kW, 30kW

Top or rear flue option

Simple fixing of rear flue

Only 19.5kg installer lift weight

Cupboard fit

Easy fit wall mounting bracket

Industry leading choice of flue lengths, bends and accessories

No pump overrun or permanent live required

One metre lead included

Front and side access

Benefits

Models to suit most requirements

For reduced boiler footprint and improved look

For easy and fail-safe flue fixing

The lightest boiler available in UK**

Can be installed discreetly

Robust with a positive fix and audible lock so you know it's secure

For versatile siting

Saves time and money during installation, and less disruption for the householder

Easy to install and you don't need access to the control box

Servicing is easier and quicker, and no special tools are required

* Subject to registration and an annual service. Terms and conditions apply. Visit baxi.co.uk/warranty

** As at June 2014.



The rear flue option on the Baxi EcoBlue Advance Heat made it the perfect choice when I had to replace an old balanced flue boiler. So light, an easy lift weight, compact and easy to use for both installer and customer. The homeowner was very pleased.

George Drake
Installer

Baxi EcoBlue Advance Heat

The lightweight Baxi EcoBlue Advance Heat has the option of a top or rear flue, making it a straightforward replacement for old, standard efficiency rear flue models. The rear flue option gives it a neat, attractive appearance.

Accessories

The following accessories are compatible with the Baxi EcoBlue Advance Heat.



Baxi twin channel wired programmer



Baxi room thermostat



Baxi Solarflo



Heatrae Sadia Megaflo Eco Solar cylinder

Technical specifications

HOW WE MAKE IT EASY

The lightest boiler available in the UK



Boiler dimensions

Width [A]	Height [B]	Depth [C]
370mm	625mm	270mm

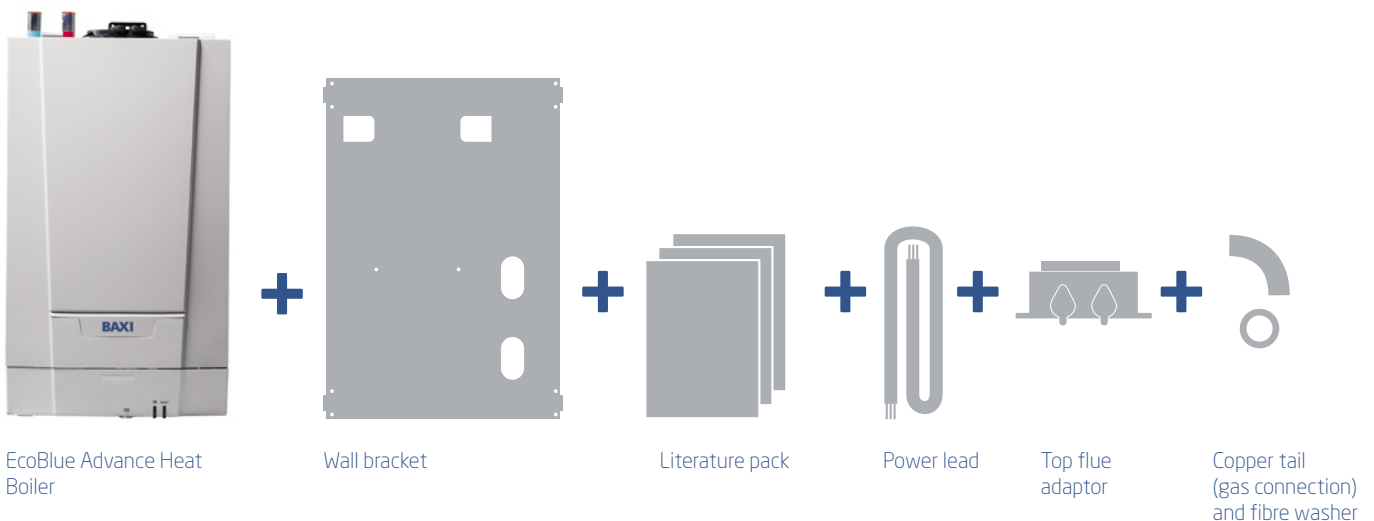
Service clearances

Side [D]	Upper [E]	Lower [F]	Front [G]
5mm*	190mm*	120mm*	5mm*
	35mm* if using rear flue	35mm* in 300mm deep wall cupboard	in operation, 500mm* for servicing

*These are the minimum recommended dimensions. Greater clearance will aid installation and maintenance.



What's in the box?



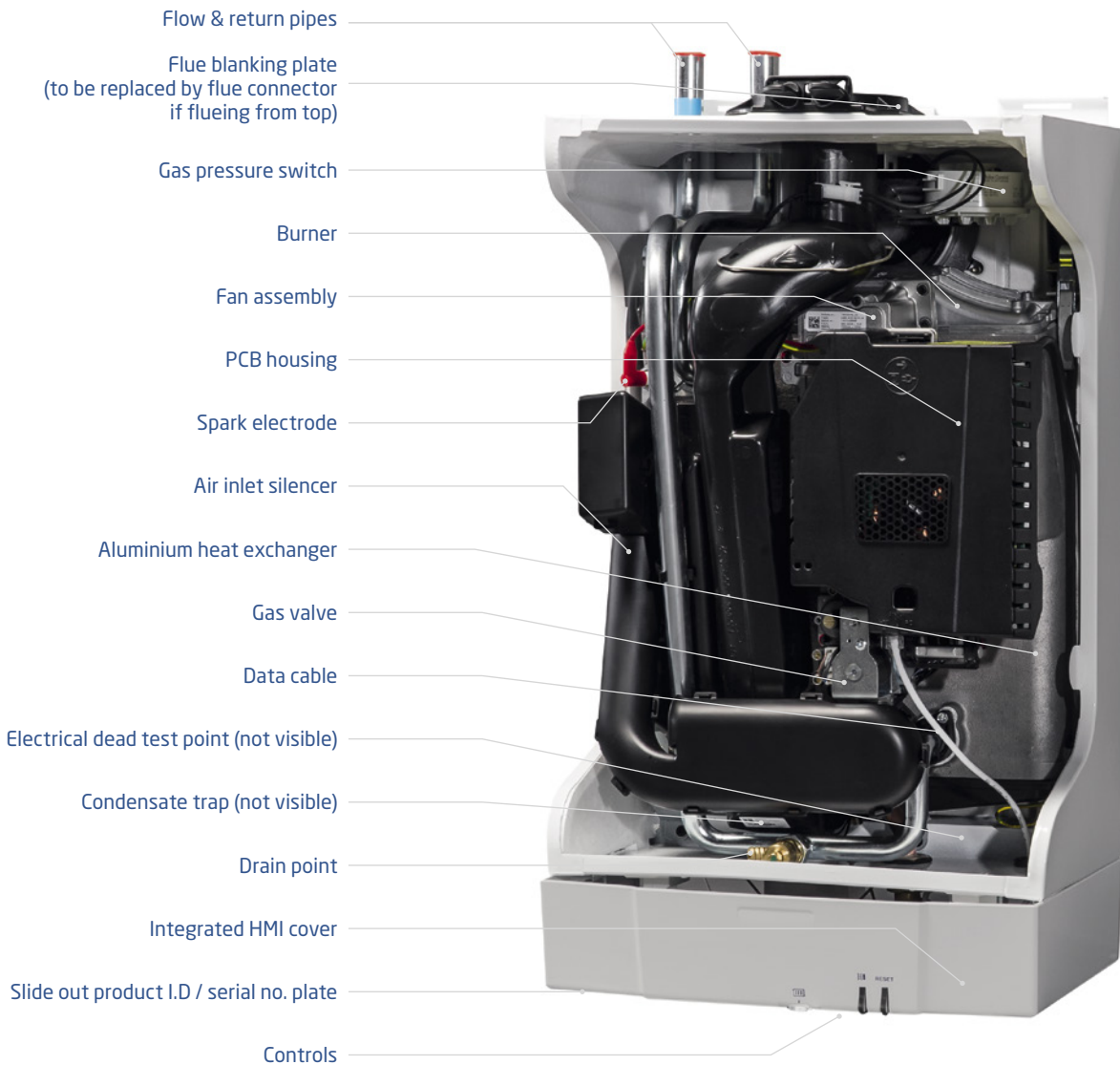
Technical details

Baxi EcoBlue Advance Heat

		13	16	19	25	30
Sales code	Boiler only	7212207	7212209	7212210	7212211	7212212
Controls						
Operating mode selector switch with reset	Yes / no	✓	✓	✓	✓	✓
User adjustable CH temperature	Range - e.g. 45°C to 82°C	✓	✓	✓	✓	✓
LED temp/status/fault diagnosis display	Yes / no	✓	✓	✓	✓	✓
Gas						
SEDBUK 2005 seasonal efficiency	Band	A	A	A	A	A
	%	90.2	90.2	90.1	90.1	90
NOx class	1 - 5	5	5	5	5	5
Heat output	kW (max)	13	16	19	25	30
	kW (min)	7.5	7.5	7.5	7.5	7.5
Gas supply pipe size	(mm)	22	22	22	22	22
Inlet supply pressure (natural gas)	mbar	20	20	20	20	20
Maximum gas rate	m ³ /hr	1.42	1.75	2.07	2.73	3.27
Mechanical and hydraulic						
Compartment ventilation required		x	x	x	x	x
Flow / return pipe size	(mm)	22	22	22	22	22
Condensate discharge pipe size	(mm)	21.50	21.50	21.50	21.50	21.50
Electrical						
Electrical supply	Volts / Hz	230V / 50Hz	230V / 50Hz	230V / 50Hz	230V / 50Hz	230V / 50Hz
Permanent live required	Yes / no	x	x	x	x	x
Switched live	Yes / no	✓	✓	✓	✓	✓
Electrical power cable fitted as standard	1m of 3 core	✓	✓	✓	✓	✓
Power consumption	Watts	17	20	23	33	44
External fuse rating	Amps	3	3	3	3	3
Internal fuse rating		1.6T	1.6T	1.6T	1.6T	1.6T
Boiler IP rating (electrical protection)	Approval category	IPX4D	IPX4D	IPX4D	IPX4D	IPX4D
Pump overrun	Yes / no	x	x	x	x	x
Concentric flue system						
Standard telescopic concentric flue	Length in mm	315-500	315-500	315-500	315-500	315-500
Standard in-case rear telescopic concentric flue	Length in mm	220 - 345	220 - 345	220 - 345	220 - 345	220 - 345
Horizontal concentric (60/100 mm)	Max equivalent length (m)	6	6	6	6	6
	Reduction per 135° bend (m)	0.5	0.5	0.5	0.5	0.5
	Reduction per 93° bend (m)	1	1	1	1	1
Horizontal concentric (80/125 mm)	Max equivalent length (m)	12	12	12	12	12
Twin pipe flue system						
Horizontal twin tube (80/80 mm)	Max equivalent length (both tubes in parallel) (m)	9	9	9	9	9
	Reduction per 135° bend (m)	0.25	0.25	0.25	0.25	0.25
	Reduction per 93° bend (m)	0.5	0.5	0.5	0.5	0.5
Weight						
Installer lift weight	Max (kg)	19.5	19.5	19.5	19.5	19.5
Gross packaged boiler weight	(kg)	21.5	21.5	21.5	21.5	21.5

What's inside the boiler?

Baxi EcoBlue Advance Heat



HOW WE MAKE IT EASY

Servicing is easier and quicker, and no special tools are required

Flues

Horizontal concentric flues Ø 60/100mm

Multifit flue group A

Item description	Colour	Specification	Key and OD dimensions	Sales code
1 Horizontal telescopic flue inc. low profile elbow and fixing screws	White pipe/white terminal	315mm - 500mm	100mm	720599401
2 Horizontal telescopic flue inc. low profile elbow and fixing screws	White pipe/black terminal	315mm - 500mm	100mm	720598701
3 Horizontal telescopic in case rear flue inc. fixing screws	White pipe/black terminal	220mm - 345mm	100mm	7210434
4 1m flue extension inc. fixing screws	White	1000mm	100mm	720648801
5 93° flue bend inc. fixing screws	White	93°	100mm	720648401
6 135° flue bend inc. fixing screws (pair)	White	135°	100mm	720647901

Plume displacement kits Ø 60/100mm

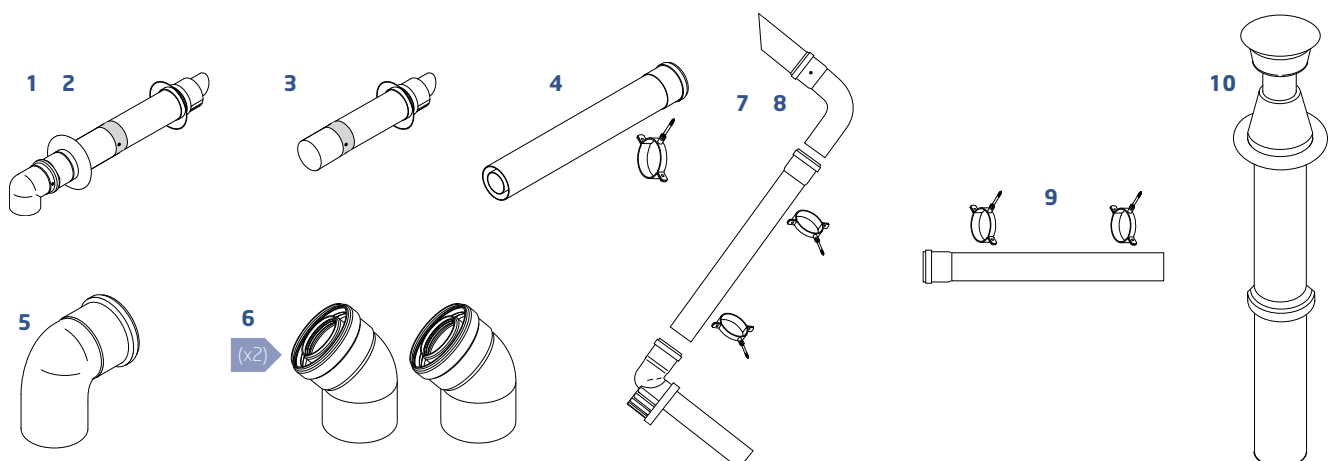
Multifit flue group A

Item description	Colour	Specification	Key and OD dimensions	Sales code
7 Plume displacement terminal kit inc. 1m extension and brackets	White		60mm	720627001
8 Plume displacement terminal kit inc. 1m extension and brackets	Black		60mm	720622901
9 Plume displacement kit extension and brackets	White	1000mm	60mm	720643401

Vertical concentric flues Ø 60/100mm

Multifit flue group A

Item description	Colour	Specification	Key and OD dimensions	Sales code
10 Vertical flue terminal	Black		100mm	5118576
4 1m flue extension inc. fixing screws	White	1000mm	100mm	720648801
5 93° flue bend inc. fixing screws	White	93°	100mm	720648401
6 135° flue bend inc. fixing screws (pair)	White	135°	100mm	720647901



Flue solutions

Multifit flue kits now come with positive screw fixings for all connections and are available in a choice of lengths to reduce the need for onsite cutting. By popular demand we offer a choice of colours for the terminals to match existing rainwater systems.

	Flue type	Group A	Group G	Group H
Maximum permissible equivalent flue lengths for Baxi EcoBlue combi, system boilers are:	Horizontal concentric	10m	20m	
	Vertical concentric	10m	20m	
	Horizontal twin pipe			15m
	Vertical twin pipe			15m
Maximum permissible equivalent flue lengths for Baxi EcoBlue heat only boilers are:	Horizontal concentric	6m	12m	
	Vertical concentric	6m	12m	
	Horizontal twin pipe			9m
	Vertical twin pipe			9m
Where inline bends are required in a flue system, the overall length must be reduced by the following amounts:	Concentric pipes	135° bend	0.5m	
		93° bend	1m	
	Twin flue pipe	135° bend		0.25m
		91.5° bend		0.50m

Horizontal concentric flues Ø 60/100mm

MULTIFIT FLUE GROUP A

Item	Description (multifit) flue system	Colour	Specification	Key and OD dimensions	Sales code
1	Horizontal telescopic flue inc. low profile elbow and fixing screws	White pipe/ white terminal	315mm - 500mm	60/100mm	720599401
2	Horizontal telescopic flue inc. low profile elbow and fixing screws	White pipe/ black terminal	315mm - 500mm	60/100mm	720598701
3	Horizontal telescopic flue inc. Low profile elbow and fixing screws	White pipe/ brown terminal	315mm - 500mm	60/100mm	720642701
4	Horizontal telescopic in case rear flue inc. fixing screws	White pipe/ black terminal		100mm	7210434
5	Flue terminal deflector	White		60mm	720644201
6	Flue terminal deflector	Black		60mm	5111068
7	Flue terminal deflector	Brown		60mm	720644301
8	1m flue extension inc. fixing screws	White	1000mm	100mm	720648801
9	0.5m flue extension inc. fixing screws	White	500mm	100mm	720643001
10	0.25m flue extension inc. fixing screws	White	250mm	100mm	720643101
11	93° flue bend inc. fixing screws	White	93°	100mm	720648401
12	135° flue bend inc. fixing screws	White	135°	100mm	720648501
13	135° flue bend inc. fixing screws (pair)	White	135°	100mm	720647901
14	Offset adaptor elbow	White	EcoBlue Advance only	100mm	720635501
15	93° low profile boiler elbow	White	93°	100mm	720550801
16	Stainless steel terminal guard - Ø 60/100	S/S	Stainless steel	100mm	720627901

Plume displacement kits Ø 60/100mm

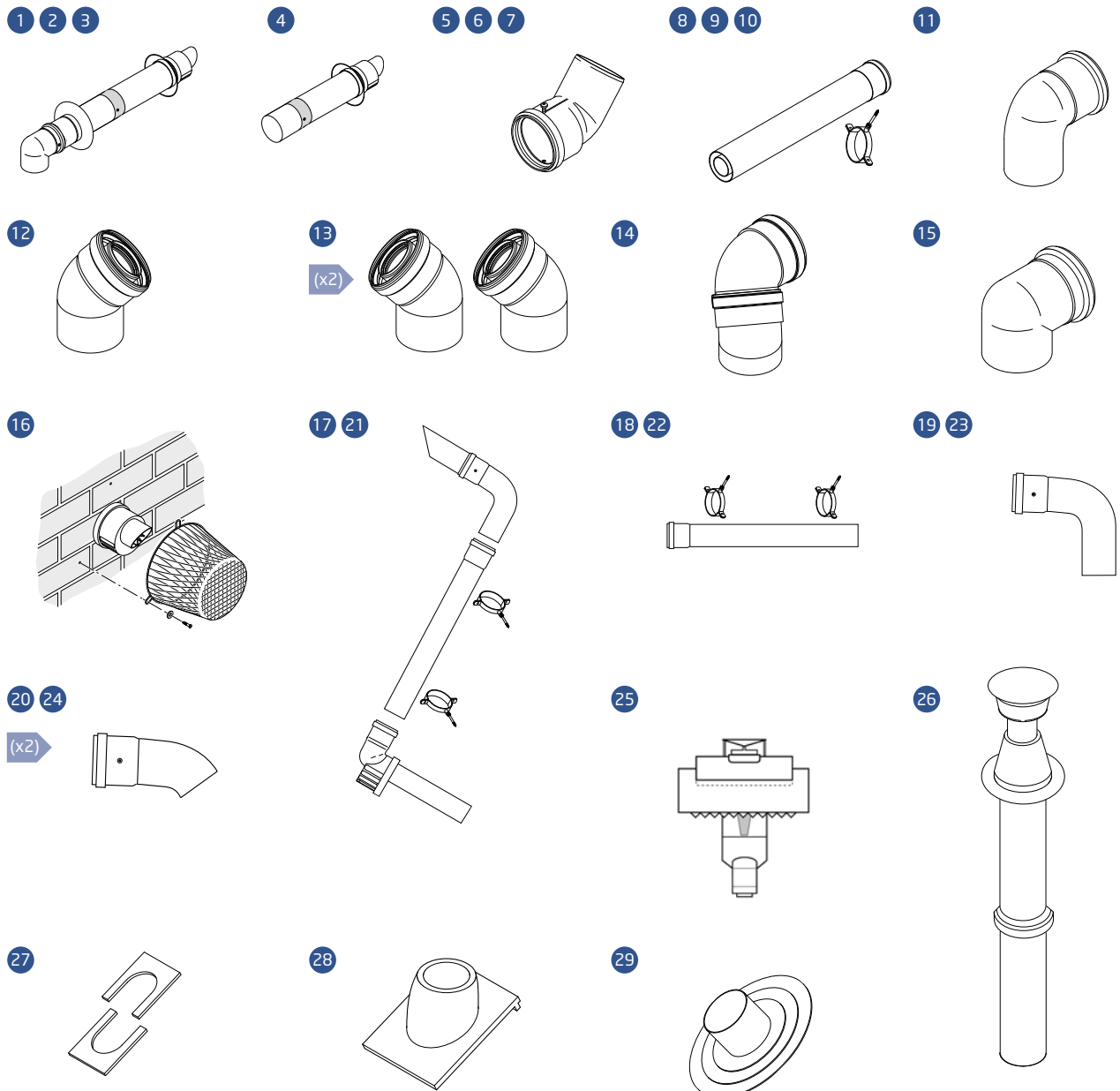
MULTIFIT FLUE GROUP A

Item	Description (multifit) flue system	Colour	Specification	Key and OD dimensions	Sales code
17	Plume displacement terminal kit inc. 1m extension and brackets	White		60mm	720627001
18	Plume displacement kit extension and brackets	White	1000mm	60mm	720643401
19	Plume displacement kit bend	White	93°	60mm	5121369
20	Plume displacement kit bend - pair	White	135°	60mm	5121370
21	Plume displacement terminal kit inc. 1m extension and brackets	Black		60mm	720622901
22	Plume displacement kit extension and brackets	Black	1000mm	60mm	720643301
23	Plume displacement kit bend	Black	93°	60mm	720648701
24	Plume displacement kit bend - pair	Black	135°	60mm	720648601

Vertical concentric flues Ø 60/100mm

MULTIFIT FLUE GROUP A

Item	Description (multifit) flue system	Colour	Specification	Key and OD dimensions	Sales code
25	Vertical ridge flue terminal	Brown		100mm	720647101
26	Vertical flue terminal	Black		100mm	5118576
27	Roof cover plate			125mm	246143
8	1m flue extension inc. fixing screws	White	1000mm	100mm	720648801
9	0.5m flue extension inc. fixing screws	White	500mm	100mm	720643001
10	0.25m flue extension inc. fixing screws	White	250mm	100mm	720643101
11	93° flue bend inc. fixing screws	White	93°	100mm	720648401
12	135° flue bend inc. fixing screws	White	135°	100mm	720648501
13	135° flue bend (pair) inc. fixing screws	White	135°	100mm	720647901
28	Pitched roof flashing		25°/50°	125mm	5122151
29	Flat roof flashing			125mm	246144



Flue solutions

Horizontal concentric flues Ø 80/125mm

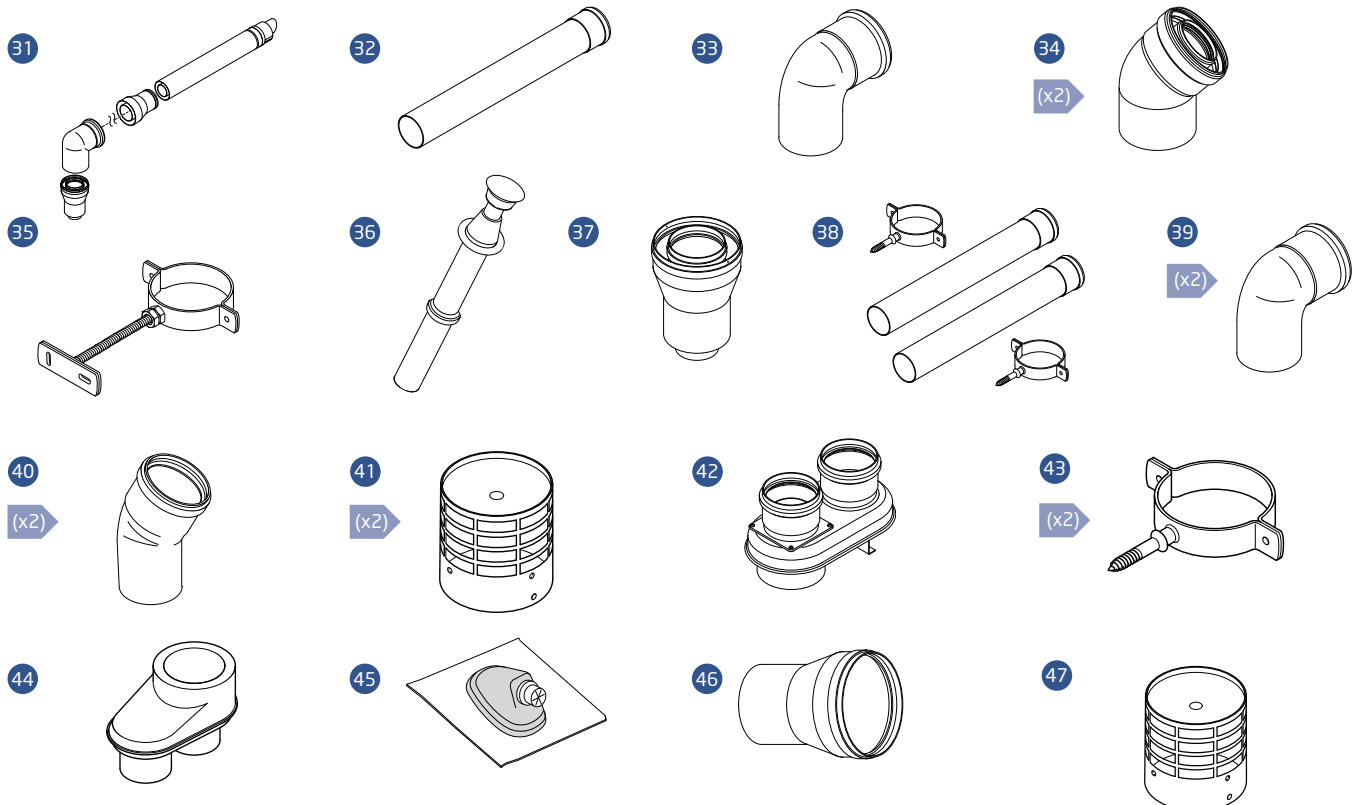
MULTIFIT FLUE GROUP G

Item	Description (multifit) flue system	Colour	Specification	Key and OD dimensions	Sales code
31	Horizontal flue inc. boiler and terminal adaptors	Black		125mm	5118580
32	1m flue extension	White	1000mm	125mm	5118584
33	Flue bend	White	91.5°	125mm	5118588
34	Flue bend (pair)	White	135°	125mm	5118597
35	Pipe support bracket	White	125mm flue pipes	125mm	5118610

Vertical concentric flues Ø 80/125mm

MULTIFIT FLUE GROUP G

Item	Description (multifit) flue system	Colour	Specification	Key and OD dimensions	Sales code
36	Vertical flue terminal	Black		125mm	5111078
32	1m flue extension	White	1000mm	125mm	5118584
33	Flue bend	White	91.5°	125mm	5118588
34	Flue bend (pair)	White	135°	125mm	5118597
28	Roof cover plate (see page 23 for image)			125mm	246143
37	Flue vertical adaptor	White		100/125mm	5111070
29	Pitched roof flashing (see page 23 for image)		25°/55°	125mm	5122151
30	Flat roof flashing (see page 23 for image)			125mm	246144
35	Pipe support brackets	White	125mm flue pipes	125mm	5118610



Twin pipe flues 80/80mm

MULTIFIT FLUE GROUP N

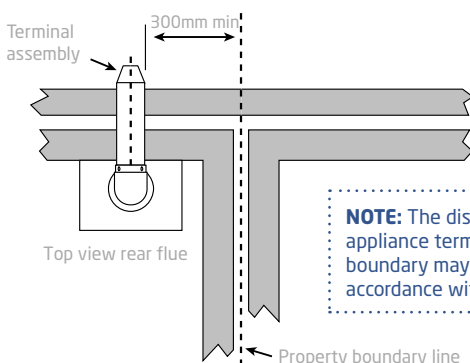
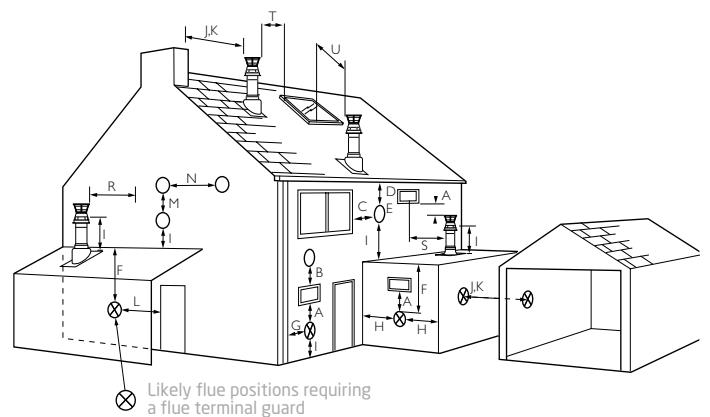
Item	Description (multifit) flue system	Colour	Specification	Key and OD dimensions	Sales code
36	Vertical flue terminal	Black		125mm	5111078
38	Twin pipe extension (pair inc. Brackets)	White	1000mm	80mm	5111087
39	Twin pipe flue bend (pair)	White	90°	80mm	5111072
40	Twin pipe flue bend (pair)	White	135°	80mm	5111086
28	Roof cover plate (see page 23 for image)			125mm	246143
41	Twin pipe flue horizontal terminal kit (air and exhaust)	Stainless steel	575mm	80mm	5120172
42	Twin pipe flue adaptor (boiler)	White		80/80mm	720089801
43	Twin pipe support (pair)	White		80mm	5111081
44	Twin to concentric adaptor 80/80 - 80/125	White		80/125mm	5111084
29	Pitched roof flashing (see page 23 for image)		25°/50°	125mm	5122151
30	Flat roof flashing (see page 23 for image)			125mm	246144
45	Pitch roof flue terminal	Black	25°/50°	60mm	720576301
46	Pitched roof terminal adaptor kit	White		60-80mm	5121792
47	Single flue terminal (air only)			80mm	5121791

Terminal position with minimum distance

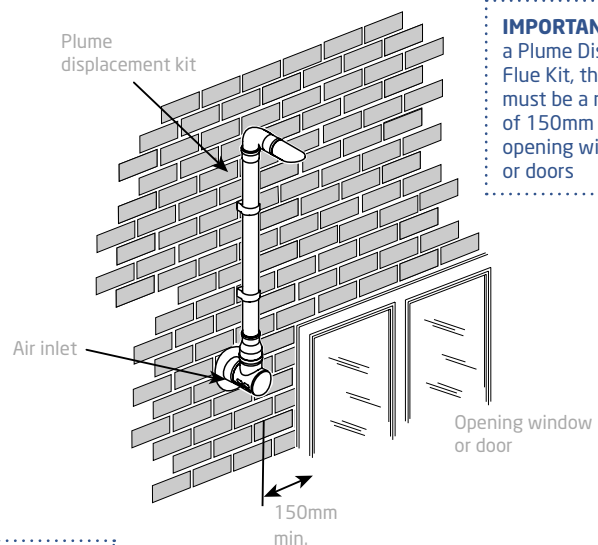
A ¹	Directly below an opening, air brick, opening windows etc	300
B ¹	Above an opening, air brick, opening window etc	300
C ¹	Horizontally to an opening, air brick, opening window etc	300
D ²	Below gutters, soil pipes or drain pipes	25
E ²	Below eaves	25
F ²	Below balconies or car port roof	25
G ²	From a vertical drain pipe or soil pipe	25
H ²	From an internal or external corner	25
I	Above ground, roof or balcony level	300
J	From a surface or boundary line facing a terminal	600
K	From a terminal facing a terminal (Horizontal flue)	1200
K	From a terminal facing a terminal (Vertical flue)	600
L	From an opening in a carport (e.g. door, window) into the dwelling	1200
M	Vertically from a terminal on the same wall	1500
N	Horizontally from a terminal on the same wall	300
R	From adjacent wall to flue (vertical only)	300
S	From an adjacent opening window (vertical only)	300
T	Adjacent to windows or openings on pitched and flat roofs	600
U	Below windows or openings on pitched roofs	2000

- In addition, the terminal should be no nearer than 150mm to an opening in the building fabric formed for the purpose of accommodating a built-in element such as a window frame.
- Only ONE 25mm clearance is allowed per installation. If one of the dimensions D, E, F, G or H is 25mm then the remainder MUST be as B.S.5440-1.

(mm)



NOTE: The distance from a fanned draught appliance terminal installed parallel to a boundary may not be less than 300mm in accordance with the diagram.



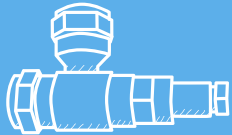
IMPORTANT: If fitting a Plume Displacement Flue Kit, the air inlet must be a minimum of 150mm from any opening windows or doors

How we can help



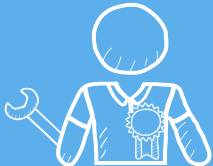
Baxi Customer Support

- Expert technical helpline
- UK based customer contact centre
- Nationwide network of Gas Safe registered engineers



Baxi Genuine Parts

- Approved parts for Baxi products
- Guaranteed quality, safety and reliability
- Nationwide network of approved stockists
- Lifetime support for Baxi products



Training

- Practical, hands on training
- Free of charge product training
- A range of specialist courses
- Expert trainers, all accredited, former heating engineers
- Training centres across the UK

Visit [baxi.co.uk/training](https://www.baxi.co.uk/training)



0844 871 1525

Opening hours

Monday - Friday, 8.00am - 6.00pm

Weekends and bank holidays, 8.30am - 2.00pm

We are closed on Christmas Day and New Year's Day.

Please note calls may be monitored or recorded.



baxi.co.uk



info@baxi.co.uk



Baxi

Brooks House

Coventry Road

Warwick CV34 4LL



This brochure is printed on paper sourced from well managed forests and other controlled sources. This brochure is printed using vegetable based inks. Please recycle this brochure when you have finished with it.

Baxi policy is one of continual improvement and development. The right to change specification and appearance without prior notice is reserved. The reproduction of colours is as accurate as photographic and printing processes allow. The consumer's statutory rights are not affected. e&oe

EcoBlueRange/Aug14

BAXI
Make it easy

Useful information

Technical helpline



0844 871 1525

Opening hours

Monday - Friday

8.00am - 6.00pm

Weekends and bank holidays 8.30am - 2.00pm

We are closed on Christmas Day and
New Year's Day

Website



baxi.co.uk

Email

info@baxi.co.uk



Address



Baxi
Brooks House
Coventry Road
Warwick
CV34 4LL

BAXI
Make it easy