



Glow•worm

Installation and maintenance instructions

ENERGY

12r

15r

18r

25r

30r



GB, IE

Contents

Contents

1	Safety	3	8	Adapting the unit to the heating installation	19
1.1	Action-related warnings	3	8.1	Burner anti-cycling time	19
1.2	Risk caused by inadequate qualifications.....	3	9	Handing the product over to the end user	20
1.3	Intended use	3	9.1	Informing the operator about the maintenance intervals	20
1.4	General safety information	3	10	Inspection and maintenance	20
1.5	Regulations (directives, laws, standards).....	5	10.1	Using original seals.....	20
2	Notes on the documentation	6	10.2	Observing inspection and maintenance intervals	20
2.1	Observing other applicable documents	6	10.3	Procuring spare parts	20
2.2	Storing documents.....	6	10.4	Checking the CO ₂ content	20
2.3	Validity of the instructions	6	10.5	Setting the CO ₂ content	20
3	Product description	6	10.6	Removing the gas-air mixture unit.....	21
3.1	Benchmark.....	6	10.7	Cleaning the heat exchanger.....	22
3.2	Compartment Ventilation	6	10.8	Checking the burner	22
3.3	Functional elements.....	6	10.9	Checking the ignition electrode	22
3.4	Information on the identification plate	7	10.10	Cleaning the condensate siphon	22
3.5	CE label	7	10.11	Installing the gas-air mixture unit.....	22
4	Set-up	7	10.12	Draining the product	22
4.1	Transporting the unit.....	7	10.13	Completing inspection and maintenance work	23
4.2	Unpacking the product.....	7	10.14	Checking the product for leak-tightness	23
4.3	Checking the scope of delivery.....	7	11	Troubleshooting	23
4.4	Dimensions	8	11.1	Rectifying faults	23
4.5	Minimum clearances.....	8	11.2	Calling up the fault memory	23
4.6	Using the mounting template.....	8	11.3	Deleting the fault memory.....	23
4.7	Wall-mounting the product.....	8	11.4	Preparing the repair work	23
4.8	Removing/installing the front casing.....	9	11.5	Replacing defective components.....	23
4.9	Removing/installing the side section	9	11.6	Checking the product for leak-tightness	24
5	Installation	10	12	Decommissioning the product	24
5.1	Preparing for installation	10	13	Customer service	24
5.2	Installing the heating pump.....	10	Appendix	25	
5.3	Heating water supply in the open heating system	11	A	Inspection and maintenance work – Overview	25
5.4	Connecting the heating flow and heating return	11	B	Check programmes – Overview	25
5.5	Gas connection.....	11	C	Overview of diagnostics codes	26
5.6	Connecting the condensate discharge pipe	12	D	Status codes – Overview	29
5.7	Electrical installation	13	E	Overview of fault codes	30
6	Operation	15	F	Wiring diagram	32
6.1	Using diagnostics codes	15	G	Wiring diagram, 30 kW	33
6.2	Displaying the status codes.....	15	H	Position of the opening in the air/flue pipe	34
6.3	Using check programmes.....	16	H.1	Positioning of the opening of a fan-supported flue gas pipe	34
7	Start-up	16	H.2	Horizontal terminal positioning	35
7.1	Carrying out the initial start-up.....	16	I	Commissioning Checklist	36
7.2	Checking the type of gas	16	J	Pipe lengths for the air/flue pipe	40
7.3	Checking the factory setting	16	J.1	Length L of the C13 type air/flue pipe.....	40
7.4	Checking and treating the heating water/filling and supplementary water	16	J.2	Length L of the C33 type air/flue pipe.....	40
7.5	Filling the condensate trap	17	J.3	Length L of the C43 type air/flue pipe.....	40
7.6	Switching on the product	18	K	Technical data	41
7.7	Filling the heating installation	18	Index	45	
7.8	Checking and adjusting the gas settings	18			
7.9	Checking leak-tightness	19			
7.10	Checking the heating mode.....	19			



1 Safety

1.1 Action-related warnings

Classification of action-related warnings

The action-related warnings are classified in accordance with the severity of the possible danger using the following warning signs and signal words:

Warning symbols and signal words



Danger!

Imminent danger to life or risk of severe personal injury



Danger!

Risk of death from electric shock



Warning.

Risk of minor personal injury



Caution.

Risk of material or environmental damage

1.2 Risk caused by inadequate qualifications

- Set-up
- Dismantling
- Installation
- Start-up
- Inspection and maintenance
- Repair
- Decommissioning
- ▶ Observe all instructions that are included with the product.
- ▶ Proceed in accordance with current technology.
- ▶ Observe all applicable directives, standards, laws and other regulations.

1.3 Intended use

There is a risk of injury or death to the user or others, or of damage to the product and other property in the event of improper use or use for which it is not intended.

The product is intended as a heat generator for open or closed heating installations and for domestic hot water generation with a vented or unvented domestic hot water cylinder.

Depending on the unit type, the products referred to in these instructions must only be installed and operated in conjunction with the

air/flue pipe accessories listed in the other applicable documents.

Intended use includes the following:

- observance of accompanying operating, installation and servicing instructions for the product and any other system components
- installing and fitting the product in accordance with the product and system approval
- compliance with all inspection and maintenance conditions listed in the instructions.

Intended use also covers installation in accordance with the IP code.

Any other use that is not specified in these instructions, or use beyond that specified in this document shall be considered improper use. Any direct use in industrial or commercial processes is also deemed to be improper.

Caution.

Improper use of any kind is prohibited.

1.4 General safety information

1.4.1 Risk of injury due to the heavy weight of the product

- ▶ Make sure that the product is transported by at least two people.

1.4.2 Risk of death from escaping gas

What to do if you smell gas in the building:

- ▶ Avoid rooms that smell of gas.
- ▶ If possible, open doors and windows fully and ensure adequate ventilation.
- ▶ Do not use naked flames (e.g. lighters, matches).
- ▶ Do not smoke.
- ▶ Do not use any electrical switches, mains plugs, doorbells, telephones or other communication systems in the building.
- ▶ If it is safe to do so, close the emergency control valve or the main isolator.
- ▶ If possible, close the gas isolator cock on the product.
- ▶ Warn other occupants in the building by yelling or banging on doors or walls.
- ▶ Leave the building immediately and ensure that others do not enter the building.

1 Safety



- ▶ Notify the gas supply company or the National Grid +44 (0) 800 111999 by telephone once you are outside of the building.

1.4.3 Risk of death from escaping flue gas

If you operate the product with an empty condensate trap / siphon, then flue gas may escape into the room air.

- ▶ In order to operate the product, ensure that the condensate trap / siphon is always full.

1.4.4 Risk of death due to blocked or leaking flue gas routes

Installation errors, damage, tampering, unauthorised installation sites or similar can cause flue gas to escape and result in a risk of poisoning.

What to do if you smell flue gas in the property:

- ▶ Open all accessible doors and windows fully to provide ventilation.
- ▶ Switch off the product.
- ▶ Check the flue gas routes in the product and the flue gas diversions.

1.4.5 Risk of poisoning and burns caused by escaping hot flue gases

- ▶ Only operate the product if the air/flue pipe has been completely installed.
- ▶ With the exception of short periods for testing purposes, only operate the product when the front casing is installed and closed.

1.4.6 Risk of death due to explosive and flammable materials

- ▶ Do not use the product in storage rooms that contain explosive or flammable substances (such as petrol, paper or paint).

1.4.7 Risk of death from electric shock

There is a risk of death from electric shock if you touch live components.

Before commencing work on the product:

- ▶ Disconnect the product from the power supply by switching off all power supplies at all poles (electrical partition with a con-

tact gap of at least 3 mm, e.g. fuse or circuit breaker).

- ▶ Secure against being switched back on again.
- ▶ Wait for at least 3 minutes until the capacitors have discharged.
- ▶ Check that there is no voltage.

1.4.8 Risk of death due to lack of safety devices

The schematic drawings included in this document do not show all safety devices required for correct installation.

- ▶ Install the necessary safety devices in the system.
- ▶ Observe the applicable national and international laws, standards and guidelines.

1.4.9 Risk of corrosion damage due to unsuitable combustion and room air

Sprays, solvents, chlorinated cleaning agents, paint, adhesives, ammonia compounds, dust or similar substances may lead to corrosion on the product and in the flue system.

- ▶ Ensure that the supply of combustion air is always free of fluorine, chlorine, sulphur, dust, etc.
- ▶ Ensure that no chemical substances are stored at the installation site.
- ▶ If you are installing the product in hairdressing salons, painter's or joiner's workshops, cleaning businesses or similar locations, choose a separate installation room in which the room air is technically free of chemical substances.

1.4.10 Risk of material damage caused by frost

- ▶ Do not install the product in rooms prone to frost.

1.4.11 Risk of being burned or scalded by hot components

- ▶ Only carry out work on these components once they have cooled down.





1.4.12 Risk of material damage caused by using an unsuitable tool

- ▶ Use the correct tool to tighten or loosen threaded connections.

1.4.13 Risk of material damage caused by deformed pipes



Caution.

Risk of material damage caused by changes to the pipes that have already been connected.

- ▶ Only bend connection pipes if they have not yet been connected to the product.

1.5 Regulations (directives, laws, standards)

- ▶ Observe the national regulations, standards, guidelines and laws.



2 Notes on the documentation

2 Notes on the documentation

2.1 Observing other applicable documents

- ▶ You must observe all the operating and installation instructions included with the system components.

2.2 Storing documents

- ▶ Pass these instructions and all other applicable documents on to the system operator.

2.3 Validity of the instructions

These instructions apply only to:

Product article number

	Article number	Gas Council Number
ENERGY 12r -A (H-GB)	0010015660	41-019-21
ENERGY 15r -A (H-GB)	0010015661	41-019-22
ENERGY 18r -A (H-GB)	0010015662	41-019-23
ENERGY 25r -A (H-GB)	0010015663	41-019-24
ENERGY 30r -A (H-GB)	0010015664	41-019-25

3 Product description

3.1 Benchmark

Glow-worm is a licensed member of the Benchmark Scheme.

Benchmark places responsibilities on both manufacturers and installers. The purpose is to ensure that customers are provided with the correct equipment for their needs, that it is installed, commissioned and serviced in accordance with the manufacturer's instructions by a competent person approved at the time by the Health and Safety Executive and that it meets the requirements of the appropriate Building Regulations. The Benchmark Checklist can be used to demonstrate compliance with Building Regulations and should be provided to the customer for future reference.

Installers are required to carry out installation, commissioning and servicing work in accordance with the Benchmark Code of Practice which is available from the Heating and Hotwater Industry Council who manage and promote the Scheme.

Benchmark is managed and promoted by the Heating and Hotwater Industry Council.



For more information visit www.centralheating.co.uk

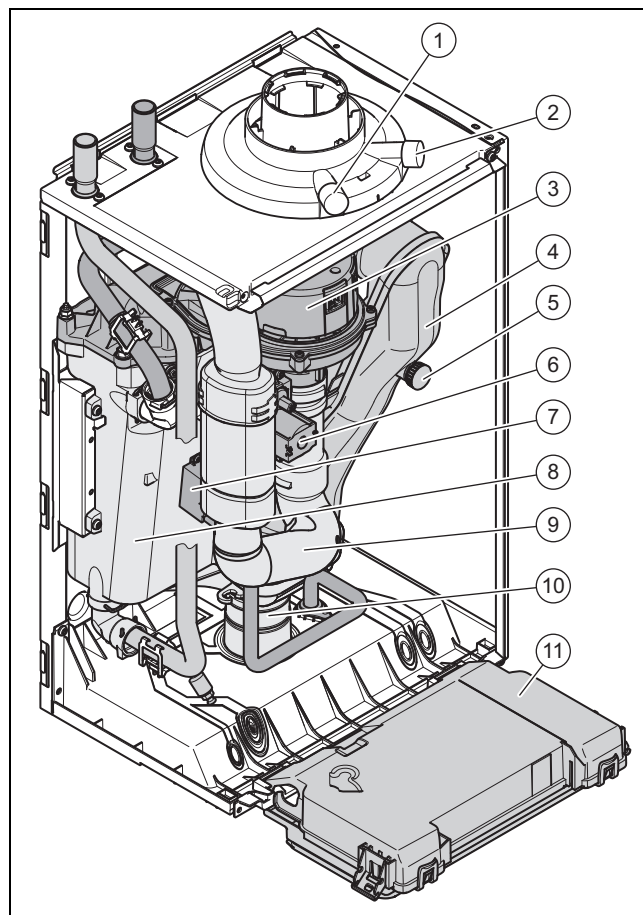
3.2 Compartment Ventilation

The boilers are very high efficiency appliances.

As a consequence the heat loss from the appliance casing during operation is very low.

Compartment ventilation is not required as the products are only certified, and can only be fitted with a concentric flue system.




3.3 Functional elements



- | | | | |
|---|---|----|--|
| 1 | Supply air test point (for the upper air/flue connection) | 5 | Flue gas analysis point (for the rear air/flue connection) |
| 2 | Flue gas analysis point (for the upper air/flue connection) | 6 | Gas valve assembly |
| 3 | Fan/gas-air mixture | 7 | Ignition transformer |
| 4 | Flue pipe | 8 | Heat exchanger |
| | | 9 | Air intake pipe |
| | | 10 | Condensate trap |
| | | 11 | Electronics box |

3.4 Information on the identification plate

The identification plate is mounted on the underside of the product in the factory.

Information on the identification plate	Meaning
	Barcode with serial number
Serial number	For quality control purposes; 3rd and 4th digits = year of production For quality control purposes; 5th and 6th digits = week of production For identification purposes; 7th to 16th digits = product article number For quality control purposes; 17th to 20th digits = place of manufacture
ENERGY ..r	Product designation
2H, G20 – 2.0 kPa (20 mbar)	Factory setting for type of gas and gas connection pressure
Cat.	Approved gas category
Condensing technology	Efficiency class of the boiler in accordance with EC Directive 92/42/EEC
Type: Xx3(x)	Permissible flue gas connections
PMS	Maximum water pressure in heating mode
PMW	Maximum water pressure in hot water handling mode
V/Hz	Electrical connection
W	Max. electrical power consumption
IP	Level of protection
	Heating mode
P _n	Nominal heat output range in heating mode
P _{nc}	Nominal heat output range in heating mode (condensing technology)
P	Nominal heat output range in hot water handling mode
Q _n	Nominal heating load range in heating mode
Q _{nw}	Nominal heating load range in hot water handling mode
T _{max.}	Max. flow temperature
NO _x	NO _x class for the product
Code (DSN)	Specific product code
	Read the instructions.
GC no.	Gas council number

3.5 CE label



The CE label shows that the products comply with the basic requirements of the applicable directives as stated on the identification plate.

The declaration of conformity can be viewed at the manufacturer's site.

4 Set-up

4.1 Transporting the unit

Important: With regard to the regulations of 1992 concerning the manual handling of loads, the unit exceeds the weight that can be lifted by a single person.

4.1.1 General

- ▶ Hold the load as close as possible to your body. Avoid rotational movements. Instead, reposition your feet.
- ▶ If the unit is being lifted by two persons, ensure your movements are coordinated during lifting.
- ▶ Avoid bending your upper body – do not lean forwards or to the side.
- ▶ Wear suitable non-slip protective gloves in order to protect your hands against sharp edges. Ensure that you are carrying the load securely.
- ▶ If required, get somebody to assist you in this.

4.1.2 Unloading the box from the delivery van

- ▶ It is recommended that two people lift the unit together.
- ▶ Lift the box using the straps provided.
- ▶ Use safe lifting techniques – keep your back straight and bend your legs at the knee.
- ▶ Hold the load as close as possible to your body.
- ▶ If the unit is being lifted by two persons, ensure your movements are coordinated during lifting.
- ▶ If required, get somebody to assist you in this.

4.2 Unpacking the product

1. Remove the product from its box.
2. Remove the protective film from all of the product's components.

4.3 Checking the scope of delivery

- ▶ Check that the scope of delivery is complete and intact.

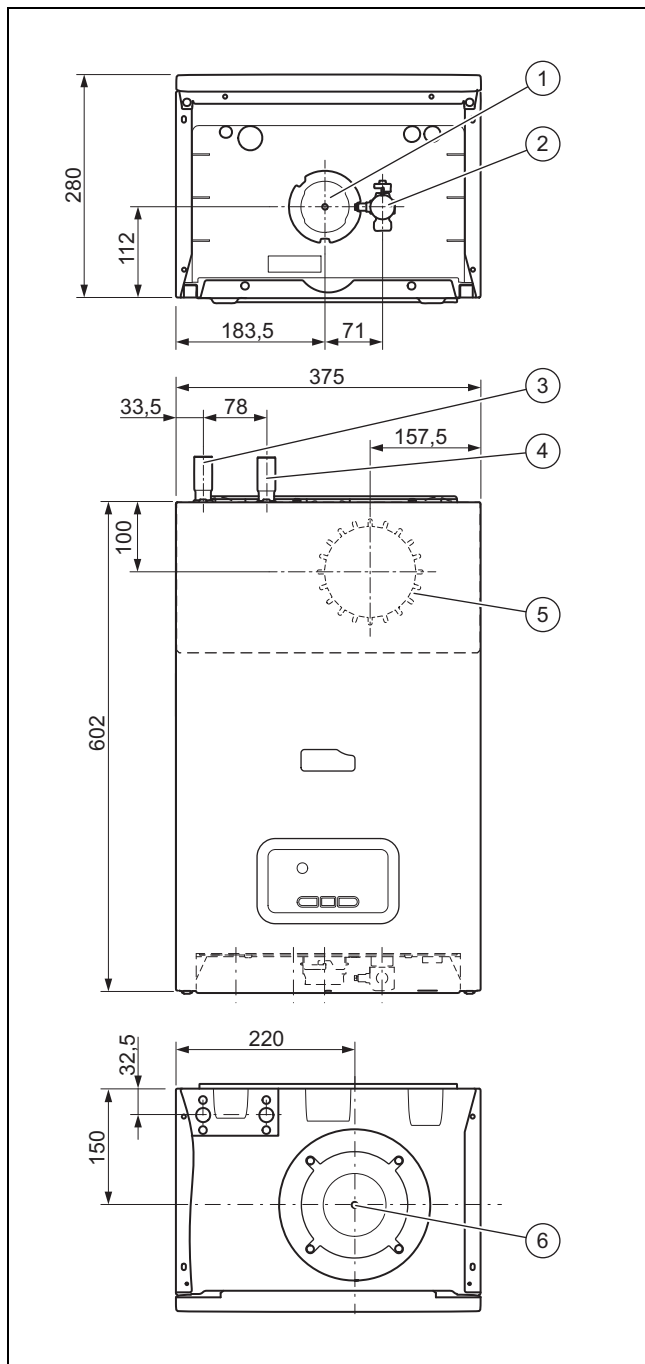
4.3.1 Scope of delivery

Number	Description
1	Heat generator
1	Hanging bracket
1	Flue gas adaptor
1	Gas isolator cock
1	Gas pipe
1	Condensate drain hose

4 Set-up

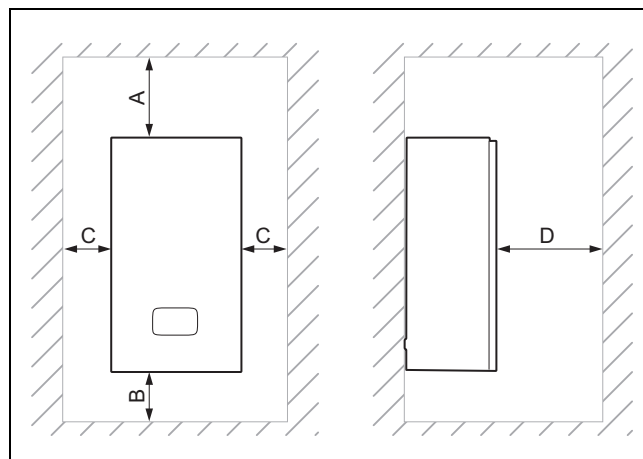
Number	Description
1	Installation template
1	Enclosed documentation

4.4 Dimensions



- | | | | |
|---|----------------------|---|---|
| 1 | Condensate discharge | 4 | Heating flow |
| 2 | Gas connection | 5 | Connection on the back of the air/flue pipe |
| 3 | Heating return | 6 | Connection on the top of the air/flue pipe |

4.5 Minimum clearances



	Minimum clearance
A	150 mm (top air/flue gas connection) 20 mm (air/flue gas connection on the rear)
B	150 mm
C	5 mm (70 mm if the side panels ought to be removed)
D	600 mm

It is not necessary to maintain a clearance between the product and components made of combustible materials that go beyond the minimum clearances.

4.6 Using the mounting template

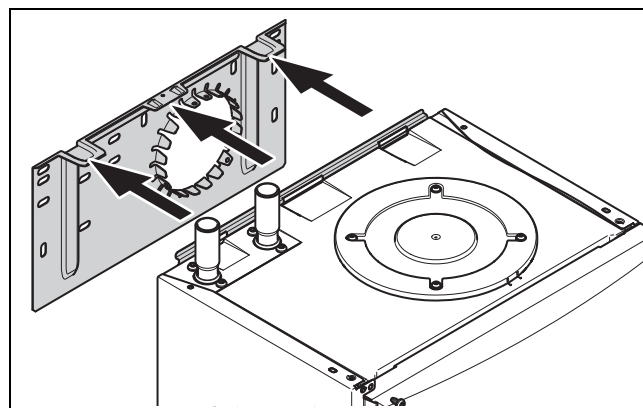
- Use the mounting template to ascertain the locations at which you need to drill holes.

4.7 Wall-mounting the product



Note

If you are using the rear air/flue connection, install the air/flue pipe before you wall-mount the product.



1. Check whether the wall has sufficient load-bearing capacity to bear the operational weight of the product.
2. Check if the supplied fixing material may be used for the wall.

Conditions: The load-bearing capacity of the wall is sufficient, The fixing material may be used for the wall

- Wall-mount the product as described.

Conditions: The load-bearing capacity of the wall is not sufficient

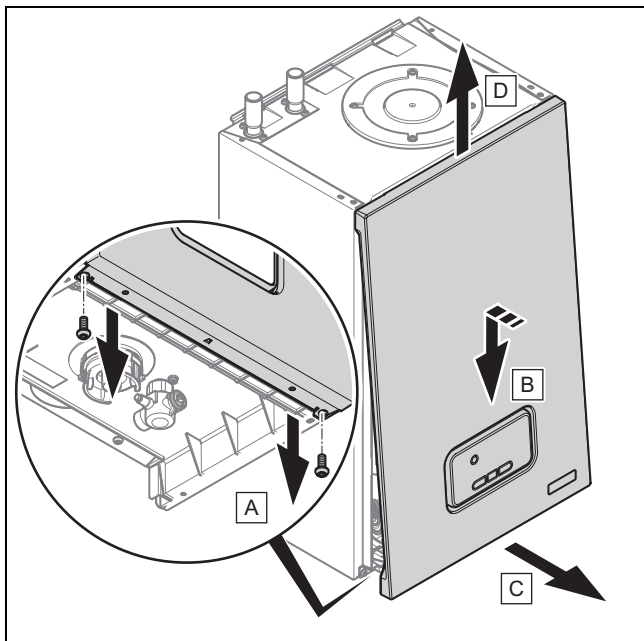
- ▶ Ensure that wall-mounting apparatus on-site has a sufficient load-bearing capacity. Use individual stands or primary walling, for example.
- ▶ Do not wall-mount the product if you cannot provide wall-mounting apparatus with a sufficient load-bearing capacity.

Conditions: The fixing material may not be used for the wall

- ▶ Wall-mount the product as described using the permitted fixing material provided on-site.

4.8 Removing/installing the front casing

4.8.1 Removing the front casing



1. Undo the two screws .
2. Gently press the front casing backwards in the centre and pull it downwards on the lower edge so that the retaining clip is released.
3. Pull the front casing forwards at the bottom edge.
4. Lift the front casing upwards from the retainers.

4.8.2 Installing the front casing

1. Place the front casing on the upper retainer.
2. Press the front casing onto the product so that the retainer bracket clicks into place.
3. Secure the front casing by tightening both screws.

4.9 Removing/installing the side section

4.9.1 Removing the side section



Caution.

Risk of material damage caused by mechanical deformation.

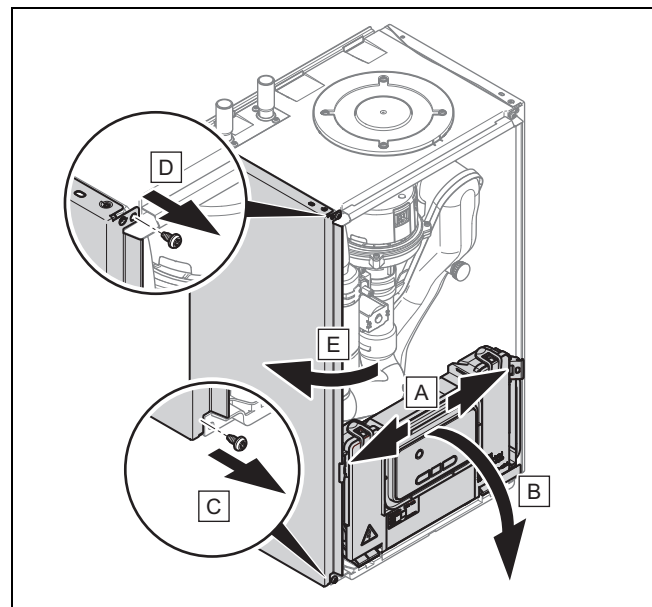
Removing **both** side sections may cause mechanical distortion in the product, which may cause damage to the piping, for example, and potentially result in leaks.

- ▶ Always remove **only one** side section – never both side sections at the same time.



Note

If there is sufficient lateral clearance (at least 70 mm), you can remove the side section to facilitate maintenance or repair work.



1. Tilt the electronics box forward.
2. Hold on to the side section so that it cannot fall, and unscrew both screws, one from the top and one from the bottom.
3. Tilt the side section to the outside and take it out towards the top.

4.9.2 Installing the side section

1. Push the side section into the recesses in the back wall.
2. Tilt the side section towards the product.
3. Screw the two screws into the side section, one at the top and one at the bottom.
4. Fold up the electronics box.

5 Installation

5 Installation

5.1 Preparing for installation



Danger!

Risk of scalding and/or damage due to incorrect installation leading to escaping water.

Mechanical stresses in the connection pipes may lead to leaks.

- ▶ Install the connection pipes such that they are free from mechanical stress.



Caution.

Risk of material damage caused by corrosion

Due to non-diffusion-tight plastic pipes in the heating installation, air gets into the heating water. Air in the heating water causes corrosion in the heat generator circuit and in the product.

- ▶ If you use non-diffusion-tight plastic pipes in the heating installation, ensure that no air gets into the heat generator circuit.



Caution.

Risk of material damage caused by residues in the pipelines.

Welding remnants, sealing residues, dirt or other residues in the pipelines may damage the product.

- ▶ Flush the heating installation thoroughly before installing the product.



Caution.

Risk of material damage due to heat transfer during soldering.

- ▶ Only solder connectors if the connectors are not yet screwed to the service valves.



Caution.

Risk of material damage caused by changes to the pipes that have already been connected.

- ▶ Only bend connection pipes if they have not yet been connected to the product.



Caution.

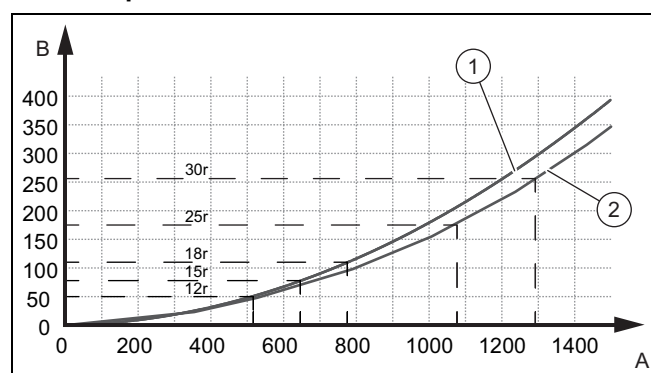
Risk of damage caused by incorrect gas installation.

Excess test pressure or operating pressure may cause damage to the gas valve.

- ▶ Check the leak-tightness of the gas valve using a maximum pressure of 11 kPa (110 mbar).

- ▶ Make sure that the existing gas meter is capable of passing the rate of gas supply required.
- ▶ Install the following components:
 - Drain cocks at the lowest points in the heating installation (→ current version of "BS 2879")
 - A heating pump in the heating flow
 - A bypass that is at least 1.5 m away from the product
 - A stopcock in the gas pipe
 - Where applicable, a flow regulator valve to adjust the flow rate

Pressure loss from the product



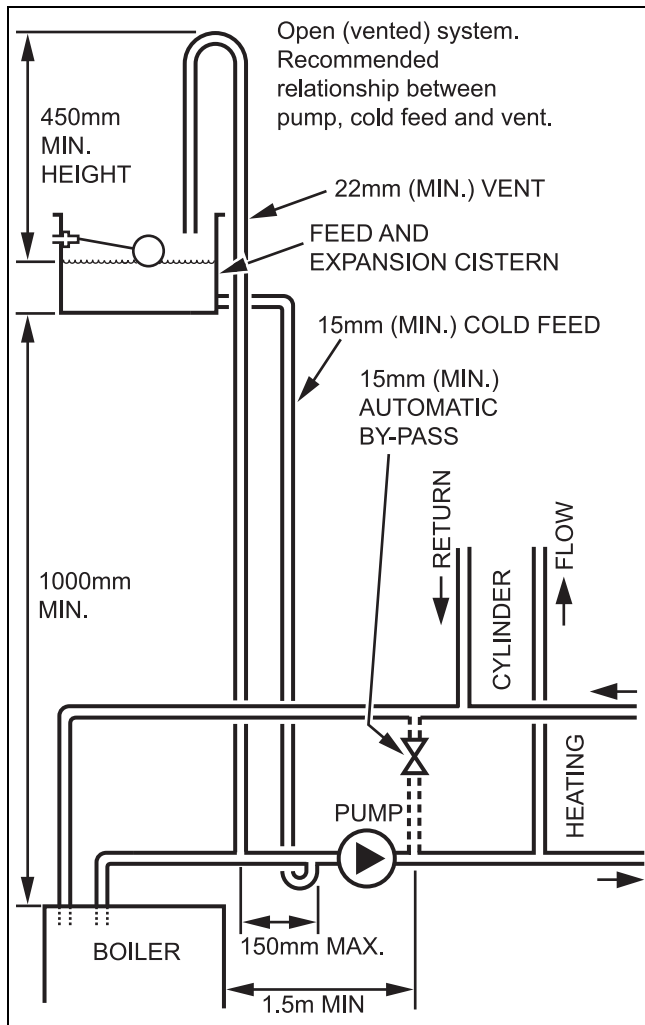
A	Flow rate [l/h]	1	Pressure loss 12r, 15r, 18r
B	Pressure loss [mbar]	2	Pressure loss 25r, 30r

The flow rate must not fall below the value in the diagram.

5.2 Installing the heating pump

- ▶ Only use pumps that have an in-rush current $\leq 10/15$ A.
- ▶ When designing/selecting the pump, note the pressure loss of the product.
- ▶ Install the pump in the heating flow.
- ▶ Install the pump upstream and downstream of the pump isolation valves.
- ▶ Set the pump so that the temperature difference between the flow and return is no more than 20 °C when the maximum flow temperature is set.
 - The flow rate specified in the technical data is reached.

5.3 Heating water supply in the open heating system

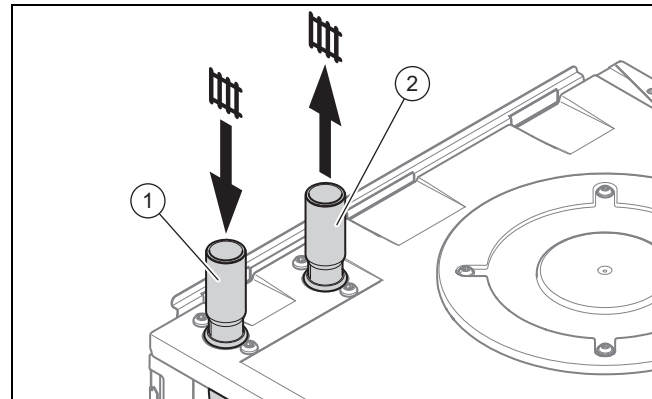


- ▶ Connect the product to a supply/expansion tank as shown in the figure.
 - The tank must not be more than 27 m (90 ft) above the product.
 - The open vent pipe must be installed with an upward gradient and must not be blocked.
 - Supply line diameter: ≥ 15 mm
 - The relative positions of the pump, supply and open vent pipe must be as shown in the figure.

Conditions: Combined supply and open vent pipe

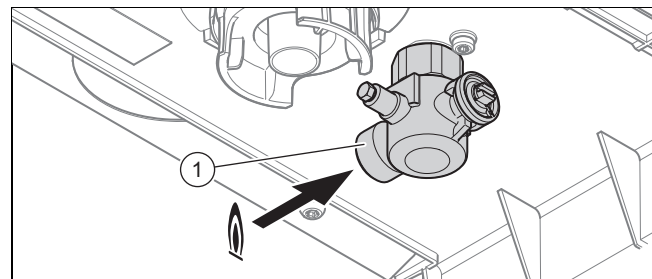
- ▶ Install the line in accordance with "BS 5449".
 - Diameter: ≥ 22 mm

5.4 Connecting the heating flow and heating return



- 1 Heating return connection
 - 2 Heating flow connection
1. Establish the heating connections in accordance with the applicable standards.
 2. Check whether the connections (→ Page 19) are leak-tight.

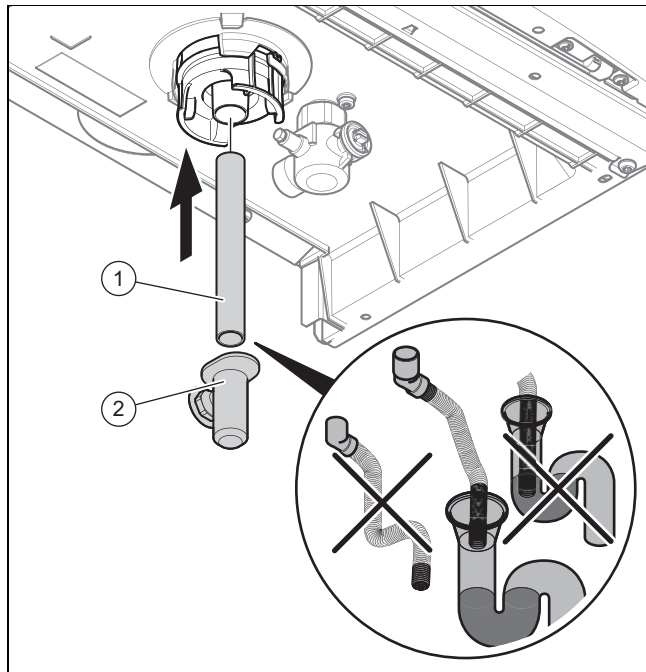
5.5 Gas connection



1. Establish the gas connection (1) in accordance with the applicable standards.
2. Purge the gas line before start-up.
3. Check the entire gas line properly for leak-tightness.

5 Installation

5.6 Connecting the condensate discharge pipe



- ▶ Follow the instructions listed here and observe the legal and local regulations on condensate discharge.
- ▶ Use PVC or any other material that is suitable for draining the non-neutralised condensate.
- ▶ If you cannot guarantee that the materials from which the drain pipework is made are suitable, install a system for neutralising the condensate.
- ▶ Ensure that the connection between the condensate discharge pipe and the drain hose is not air-tight.



Note

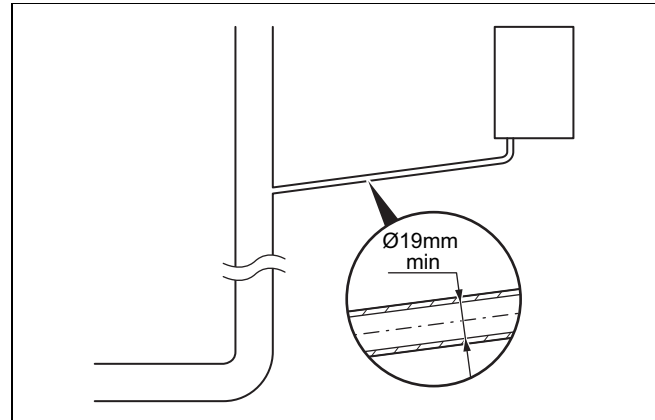
The condensate drain pipework must have a continuous fall (45 mm per metre) and should whenever possible terminate at a suitable drain point within the heated envelope of the building that will remain frost free under long periods of low external temperatures.

- ▶ During installation remove all burrs from inside of cut pipe work and avoid excessive adhesive which may trap small pockets of water close to the pipe wall which can freeze and build into a larger ice plug.
- ▶ For any installation the condensate must be free flowing and not be possible for air back-pressure to prevent water flow.
- ▶ As with other pipe work insulate the condensate discharge pipe to minimise any risk of freezing and beware when crossing cavities that the fall is maintained and the pipe sleeved.

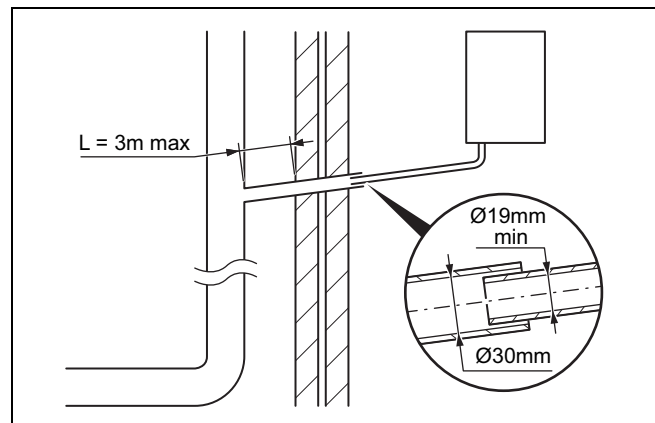
You can find further information in specification "BS 6798" for installing and maintaining gas-fired boilers with a nominal heat input below 70 kW.

5.6.1 Condensate drainage systems

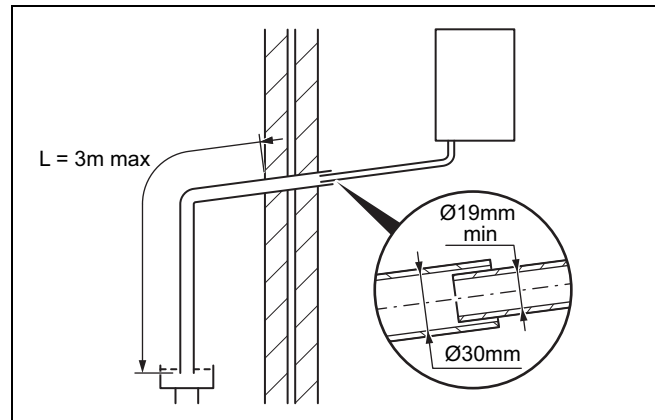
5.6.1.1 Internal soil and vent pipe



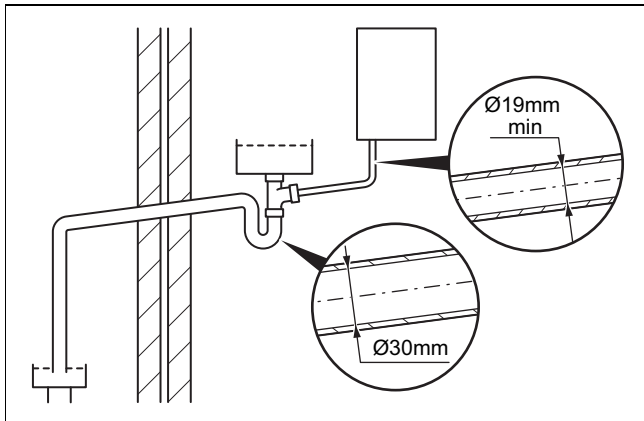
5.6.1.2 External soil and vent pipe



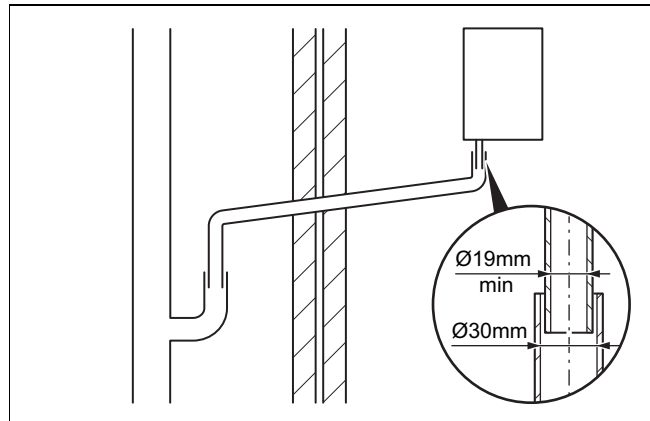
5.6.1.3 External termination into a gully or hopper



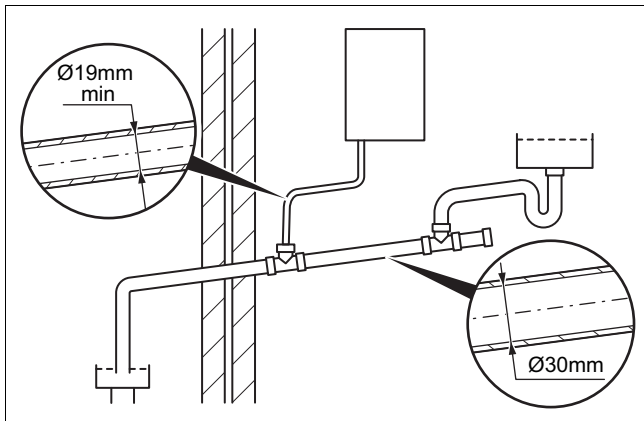
5.6.1.4 Internal termination into combined sink waste



5.6.1.7 External termination into rain water down pipe



5.6.1.5 Internal termination downstream of sink waste



5.7 Electrical installation



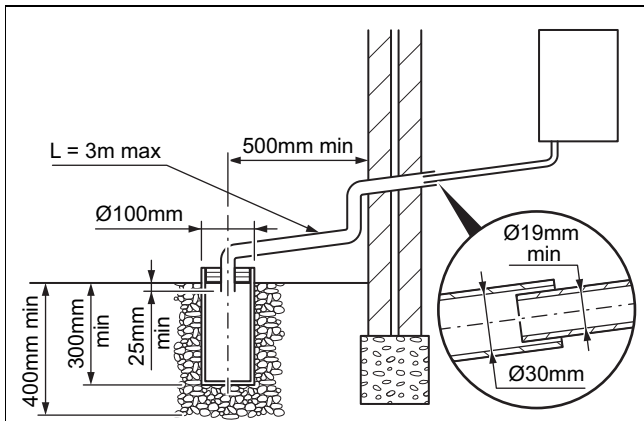
Danger!
Risk of death from electric shock!

The power supply terminals L and N remain live even if the product is switched off:

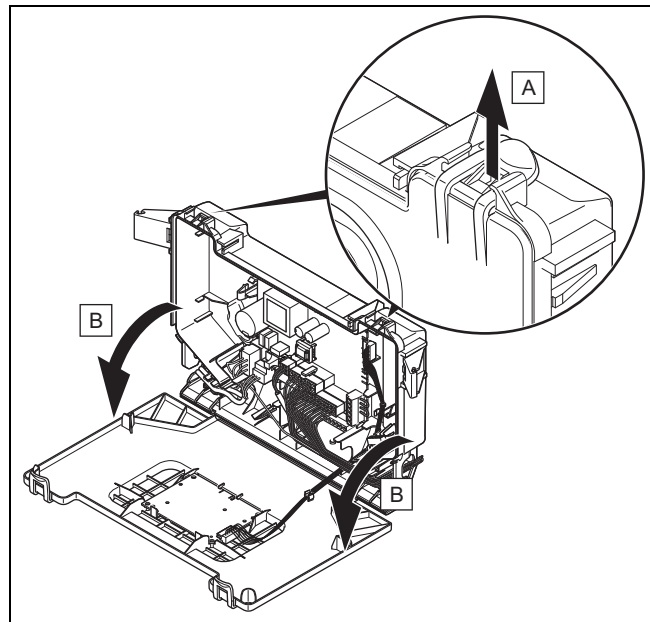
- ▶ Switch off the power supply.
- ▶ Secure the power supply against being switched on again.

Only qualified electricians may carry out the electrical installation.

5.6.1.6 External termination into soakaway



5.7.1 Opening the electronics box



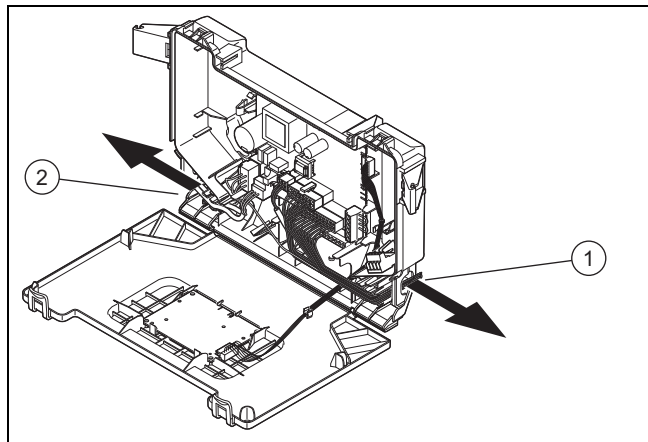
- ▶ Follow the instructions in the specified sequence.

5 Installation

5.7.2 Closing the electronics box

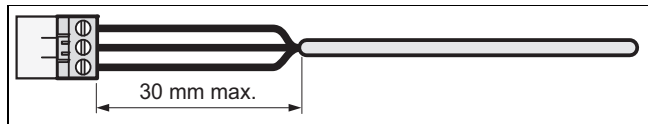
- ▶ Follow the instructions in the reverse order.

5.7.3 Cable route



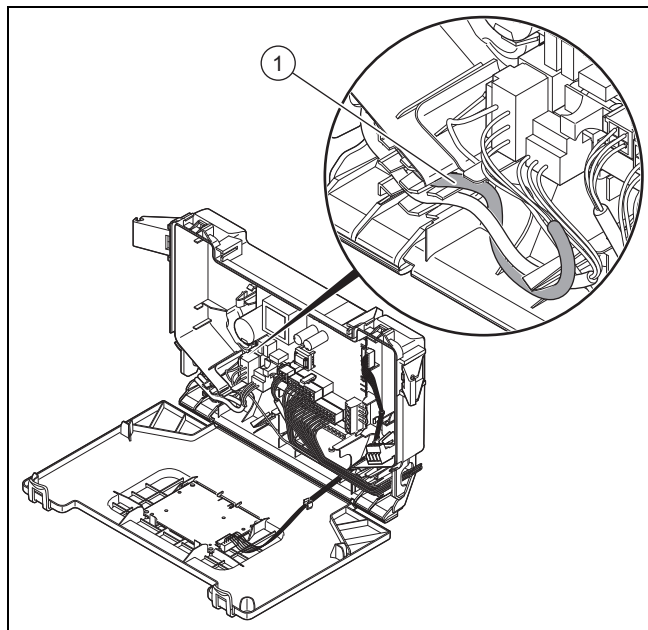
1 24-V eBUS cable route 2 230-V eBUS cable route

5.7.4 Carrying out the wiring



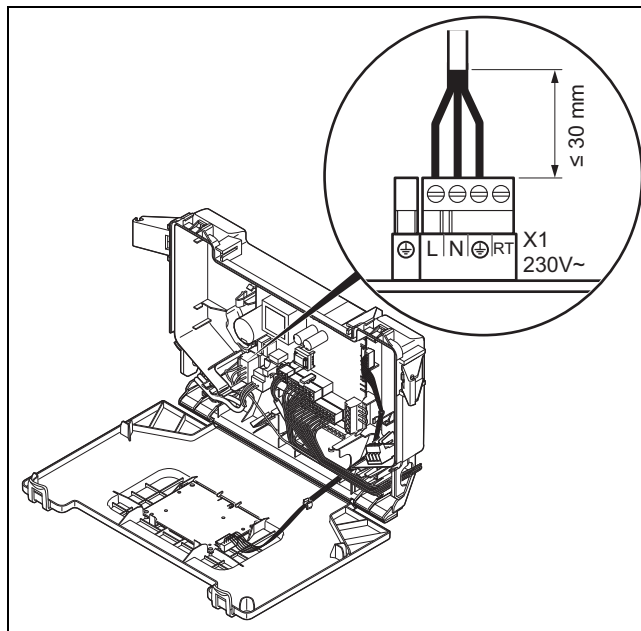
1. Shorten the connection cables to the appropriate lengths to prevent them from causing damage inside the electronics box.
2. Screw the plug to the connection cable.
3. Plug the plug into the slot provided on the PCB.

5.7.5 Establishing the power supply



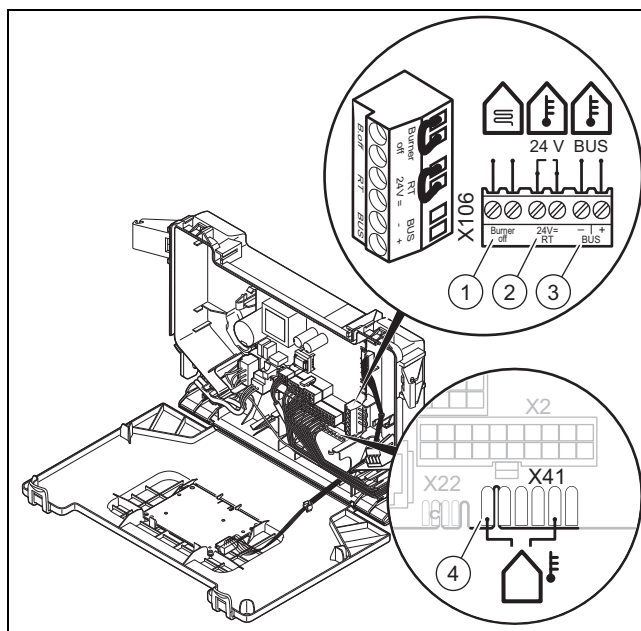
1. Observe all valid regulations.
2. Ensure that the rated mains voltage is 230 V.
3. Set up a fixed connection and install a partition with a contact opening of at least 3 mm (e.g. fuses or power switches).

4. Provide one common electricity supply for the boiler and for the corresponding controller:
 - Power supply: Single-phase, 230 V, 50 Hz
 - Fuse protection: ≤ 3 A
5. Open the electronics box. (→ Page 13)
6. Observe the routing of the power supply cable (1) in the electronics box in order to guarantee that there is no strain.



7. Carry out the wiring. (→ Page 14)
8. Close the electronics box.
9. Make sure that access to the mains connection is always available and is not covered or blocked.

5.7.6 Connecting controllers to the electronic system



- | | |
|--|--|
| 1 Safety thermostat for floor-standing heating | 3 eBUS controller or radio receiver unit |
| 2 24 V controller | 4 Outside temperature sensor, wired |

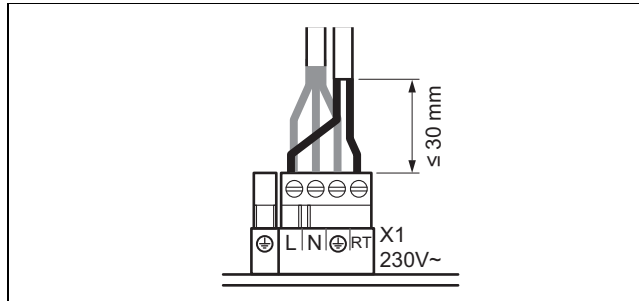
1. Open the electronics box. (→ Page 13)

2. Carry out the wiring. (→ Page 14)
3. Connect the individual components depending on the type of installation.

Conditions: If installing a multi-circuit controller.

- ▶ Change the pump's operating mode **d.18** from Eco (intermittently operating pump) to Comfort (continuously operating pump).

Conditions: When connecting a controller (230 V).



- ▶ Connect the controller to the main plug.
- ▶ Remove the bridge from the plug **24V=RT**.

Conditions: 230 V 3-wire connection

- ▶ Ensure that the controller is designed for a maximum rated current of 7 A.
- ▶ Connect the controller to the main plug X1.
 - Terminal assignment: L - line, N - neutral conductor, ⊕ - earth
- ▶ Draw the operator's attention to the fact that the following features are present with this type of installation.
 - ◁ The frost protection function is deactivated. If the product is installed in a room where there is a risk of frost and it has not been protected by a room thermostat, install an additional frost protection thermostat.
 - ◁ The pump programmes are not active.
 - ◁ If the product is switched off, the display is switched off.
 - ◁ Each time the unit is started, the fan runs for 20 seconds.
 - ◁ Residual heat in the heating return may result in the product blocking the burner for 10 minutes.
- 4. Close the electronics box.

6 Operation

6.1 Using diagnostics codes

You can use the parameters marked as adjustable in the table of diagnostics codes to adapt the product to the system and customer requirements.

Overview of diagnostics codes (→ Page 26)

6.1.1 Activating diagnostics codes

1. Press and hold the button for seven seconds.
 - ◁ is shown in the display.
2. Press the buttons to set the value.
 - ◁ The access code **(96)** is reserved for the competent person.
 - ◁ The access code **(35)** is reserved for the customer service.
3. Press the button to confirm.
 - ◁ is shown in the display.

6.1.2 Setting a diagnostics code

1. Press the or button to select the diagnostics code.
2. Press the button to confirm.
 - ◁ The value and/or status of the diagnostics code is shown in the display.
3. Press the or button to set the value.
4. If you allow the value to flash for three seconds, the setting is automatically confirmed.
 - ◁ is shown in the display for 1 second.



Note

You can manually confirm the setting at any time by pressing and holding the button for less than 3 seconds.

5. Proceed accordingly for all parameters that need to be changed.
6. Press and hold the button for 3 seconds to finish configuring the diagnostics codes.
 - ◁ The display switches to the basic display.

6.2 Displaying the status codes

The status codes display the product's current operating status.

Status codes – Overview (→ Page 29)

6.2.1 Activating the status codes display

1. Hold the button down for more than 7 seconds.
 - ◁ **S.XX** is shown on the display, followed by the heating flow temperature, the internal system pressure and the cylinder temperature (depending on the version).
2. Press the button to exit this menu.
 - ◁ The display switches to the basic display.


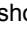
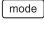
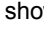
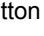
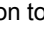
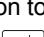
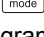
7 Start-up

6.3 Using check programmes

By activating various check programmes, you can trigger various special functions on the product.

Check programmes – Overview (→ Page 25)

6.3.1 Activating check programmes



1. Press and hold the  button for more than five seconds.
◁  is shown in the display.
2. Press and hold the  button for five seconds.
◁  is shown in the display.
3. Press the  button to select the check programme.
4. Press the  button to confirm.
◁ The selected check programme is started.
5. Press the  button to finish the check programme.
6. Press and hold the  button for three seconds to finish the check programmes.



Note

If you do not press any button for 15 minutes, the current programme is automatically cancelled and the basic display is shown.

6.3.2 Activating the check programme for the maximum output function

- ▶ Press and hold the  and  buttons simultaneously for more than five seconds.

7 Start-up

7.1 Carrying out the initial start-up

Initial start-up must be carried out by a customer service technician or an authorised competent person using the first-commissioning-checklist. The first-commissioning-checklist in the appendix (→ Page 36) of the installation instructions must be filled out and stored carefully along with the unit's documentation.

- ▶ Carry out the initial start-up using the first-commissioning-checklist in the appendix.
- ▶ Fill out and sign the first-commissioning-checklist.

7.2 Checking the type of gas

Make sure that the product is set up correctly by checking the type of gas. This ensures optimum combustion quality.

- ▶ Check the type of gas as part of routine product maintenance work when replacing components or carrying out work on the gas route.

7.3 Checking the factory setting

The product's combustion has been factory tested and is preset for operation with the gas group indicated on the identification plate.

The product is only authorised to be operated with natural gas.

- ▶ Check the information about the type of gas indicated on the identification plate and compare this with the type of gas available at the installation location.

Conditions: The product design is **not compatible** with the local gas group

- ▶ Do not start up the product.

Conditions: The product design is **compatible** with the local gas group

- ▶ Proceed as described below.

7.4 Checking and treating the heating water/filling and supplementary water



Caution.

Risk of material damage due to poor-quality heating water

- ▶ Ensure that the heating water is of sufficient quality.

- ▶ Before filling or topping up the installation, check the quality of the heating water.

Checking the quality of the heating water

- ▶ Remove a little water from the heating circuit.
- ▶ Check the appearance of the heating water.
- ▶ If you ascertain that it contains sedimentary materials, you must desludge the installation.
- ▶ Use a magnetic rod to check whether it contains magnetite (iron oxide).
- ▶ If you ascertain that it contains magnetite, clean the installation and apply suitable corrosion-protection measures, or fit a magnetic filter.
- ▶ Check the pH value of the removed water at 25 °C.
- ▶ If the value is below 6.5 or above 8.5, clean the system and treat the heating water.
- ▶ Ensure that oxygen cannot get into the heating water.

Checking the filling and supplementary water

- ▶ Before filling the installation, measure the hardness of the filling and supplementary water.

Treating the filling and supplementary water

- ▶ Observe all applicable national regulations and technical standards when treating the filling and supplementary water.

Provided the national regulations and technical standards do not stipulate more stringent requirements, the following applies:

You must treat the heating water in the following cases:

- If the entire filling and supplementary water quantity during the operating life of the system exceeds three times the nominal volume of the heating installation, or
- If the guideline values listed in the following table are not met, or

- if the pH value of the heating water is less than 6.5 or more than 8.5.

Total heating output	Water hardness at specific system volume ¹⁾					
	≤ 20 l/kW		> 20 l/kW ≤ 50 l/kW		> 50 l/kW	
kW	ppm CaCO ₃	mol/m ³	ppm CaCO ₃	mol/m ³	ppm CaCO ₃	mol/m ³
< 50	< 300	< 3	200	2	2	0.02
> 50 to ≤ 200	200	2	150	1.5	2	0.02
> 200 to ≤ 600	150	1.5	2	0.02	2	0.02
> 600	2	0.02	2	0.02	2	0.02

1) Nominal capacity in litres/heating output; in the case of multi-boiler systems, the smallest single heating output is to be used.



Caution.

The use of unsuitable heating water may cause aluminium corrosion and a resulting lack of leak-tightness.

In contrast to steel, grey cast iron or copper, for example, aluminium reacts with alkaline heating water (pH value > 8.5) to produce substantial corrosion.

- ▶ When using aluminium, make sure that the pH value of the heating water is between 6.5 and a maximum of 8.5.



Caution.

Risk of material damage if the heating water is treated with unsuitable additives.

Unsuitable additives may cause changes in the components, noises in heating mode and possibly subsequent damage.

- ▶ Do not use any unsuitable frost and corrosion protection agents, biocides or sealants.

No incompatibility with our products has been detected to date with proper use of the following additives.

- ▶ When using additives, follow the manufacturer's instructions without exception.

We accept no liability for the compatibility of any additive or its effectiveness in the rest of the heating system.

Additives for cleaning measures (subsequent flushing required)

- Adey MC3+
- Adey MC5
- Fernox F3
- Sentinel X 300
- Sentinel X 400

Additives intended to remain permanently in the installation

- Adey MC1+
- Fernox F1

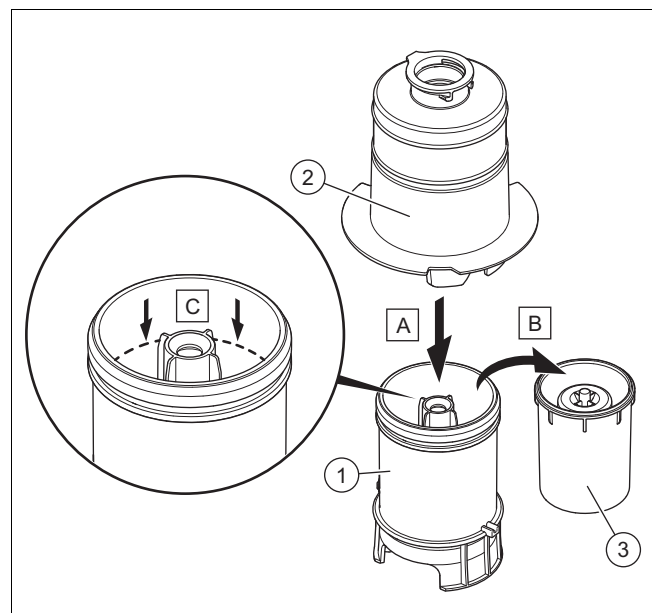
- Fernox F2
- Sentinel X 100
- Sentinel X 200

Additives for frost protection intended to remain permanently in the installation

- Adey MC ZERO
- Fernox Antifreeze Alphi 11
- Sentinel X 500

- ▶ If you have used the above-mentioned additives, inform the end user about the measures that are required.
- ▶ Inform the end user about the measures required for frost protection.

7.5 Filling the condensate trap



1. Unclip the lower section of the condensate trap (1) from the upper section of the condensate trap (2).
2. Remove the float (3).
3. Fill the lower section of the condensate trap with water up to 10 mm below the upper edge of the condensate discharge pipe.
4. Re-insert the float (3).



Note

Check whether the float is present in the condensate trap.

5. Clip the lower section of the condensate trap (1) into the upper section of the condensate trap (2).

7 Start-up

7.6 Switching on the product

- ▶ Switch on the product via the main switch installed on-site.

7.7 Filling the heating installation

1. Flush the heating installation through.
2. Fill the heating installation with the maximum possible volume flow.

7.8 Checking and adjusting the gas settings

Only a qualified competent person is authorised to implement the settings on the gas valve assembly.

Each destroyed tamper-proof seal must be replaced.

The CO₂ adjusting screw must be sealed.

Never modify the factory setting of the gas pressure regulator of the gas valve assembly.

7.8.1 Checking the gas flow rate

The gas flow rate has been set during production and does not require adjustment. With the front casing fitted check the gas flow rate of the boiler as follows:

- ▶ Start up the product with the check programme **P.01**.
- ▶ In addition, ensure that maximum heat can be dissipated into the heating system by turning up the room thermostat.
- ▶ Wait at least 5 minutes until the boiler has reached its operating temperature.
- ▶ Ensure that all other gas appliances in the property are turned off.
- ▶ Measure the gas flow rate at the gas meter.
- ▶ Compare the measured values with the corresponding values in the table.

Q _{nw} from the data plate	H gas in m ³ /h		
	Nom.	+5%	-10%
15.3	1.62	1.70	1.46
18.4	1.95	2.05	1.76
24.7	2.61	2.74	2.35
25.7	2.72	2.86	2.45
28.6	3.03	3.18	2.73
30.6	3.24	3.40	2.92
35.7	3.78	3.97	3.40

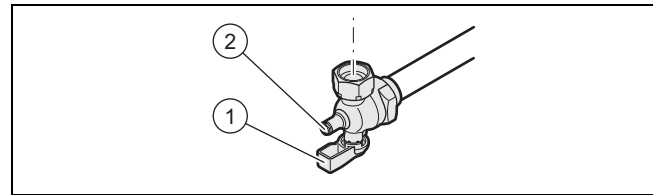
Conditions: Gas flow rate not in the permissible range

- ▶ Check all of the piping and ensure that the gas flow rates are correct.
- ▶ Only put the product into operation once the gas flow rates have been corrected.

Conditions: Gas flow rate in the permissible range

- ▶ End the check programme **P.01**.
- ▶ Allow the boiler to cool down by allowing pump overrun to operate for a minimum of 2 minutes.
- ▶ Record the boiler maximum gas flow rate onto the Benchmark gas boiler commissioning checklist.

7.8.2 Checking the gas connection pressure (gas flow pressure)



1. Ensure that the gas inlet working pressure can be obtained with all other gas appliances in the property working.
2. Close the gas stopcock (1).
3. Undo the sealing screw on the test nipple (2).
4. Connect a manometer to the test nipple (2).
5. Open the gas stopcock (1).
6. Start up the product with check programme **P.01** (system with eBUS control) or **P.03** (installation without eBUS control).
7. In addition, ensure that maximum heat can be dissipated into the heating system by turning up the room thermostat.
8. With the boiler operating at full load check that the gas inlet working pressure at the reference test point (2) complies with the requirements.

Permissible connection pressure

Great Britain	Natural gas	G20	1.7 ... 2.0 kPa (17.0 ... 20.0 mbar)

9. Should the pressure recorded at the reference test point in the boiler be lower than indicated check if there is any blockage in the pipework or if the pipework is undersized.

Conditions: Gas flow pressure not in the permissible range



Caution.

Risk of material damage and operating faults caused by incorrect gas connection pressure.

If the gas connection pressure lies outside the permissible range, this can cause operating faults in and damage to the product.

- ▶ Do not make any adjustments to the product.
- ▶ Do not start up the product.

- ▶ If you cannot correct the failure, notify the gas supply company and proceed as follows:
 - ▶ End check programme P.01.
 - ▶ Allow the boiler to cool down by allowing pump overrun to operate for a minimum of two minutes.
 - ▶ Close the gas stopcock.
 - ▶ Remove the pressure gauge and retighten the sealing screw (2) for the measuring nipple.
 - ▶ Open the gas stopcock (1).
 - ▶ Check the test nipple for gas tightness.
 - ▶ Close the gas stopcock (1).
 - ▶ Install the front casing.

Adapting the unit to the heating installation 8

- ▶ Disconnect the product from the electrical installation.
- ▶ You must not start up the boiler.

Conditions: Gas flow pressure in the permissible range

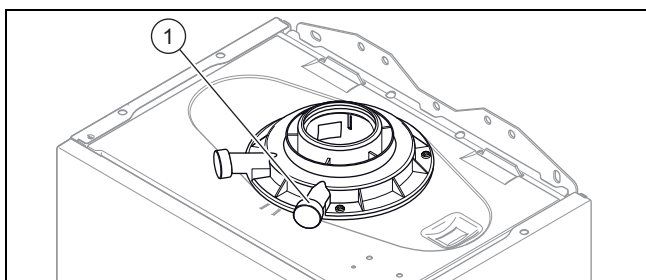
- ▶ End the check programme **P.01**.
- ▶ Allow the boiler to cool down allowing pump overrun to operate for a minimum of two minutes.
- ▶ Close the gas stopcock **(1)**.
- ▶ Remove the pressure gauge and retighten the sealing screw **(2)** for the measuring nipple.
- ▶ Open the gas stopcock **(1)**.
- ▶ Check the test nipple for gas tightness.
- ▶ Remove the front casing.
- ▶ Reset boiler controls for normal operation.
- ▶ Record the appliance gas inlet working pressure (kPa resp. mbar) in the Benchmark gas boiler commissioning checklist.

7.8.3 Checking the leak-tightness of the flue gas installation and flue gas recirculation

1. Check the flue gas installation is intact in accordance with the latest gas safe technical bulletin and information supplied in the installation instructions.
2. For extended flue gas installations check for flue gas recirculation using the air analysis point.
3. Use a flue gas analyser.
4. If you discover CO or CO₂ in the supply air, search for the leak in the flue gas installation or for signs of flue gas recirculation.
5. Eliminate the damage properly.
6. Check again whether the supply air contains any CO or CO₂.
7. If you cannot eliminate the damage, do not start up the product.

7.8.4 Checking the CO₂ content

1. Start up the product with the check programme (**P.01**) and set the value.
 - Setting value for the programme P.01: 100Check programmes – Overview
2. Wait until the value that is read is stable.
 - Waiting period for reading a stable value: 5 min



3. Unscrew the cover from the flue gas analysis point **(1)**.
4. Measure the CO₂ content at the flue gas analysis point **(1)**.
5. Compare the measured value with the corresponding value in the table.

Checking the CO₂ content

Great Britain
front casing on / front casing off
Natural gas
G20
9.2 ±1 %

- ◁ The value is OK.
- ▽ The value is not OK; you cannot start up the product.
 - ▶ Inform Customer Service.

7.9 Checking leak-tightness

- ▶ Check the gas pipe, the heating circuit and the hot water circuit for leak-tightness.
- ▶ Check that the air/flue pipe has been installed correctly.

Conditions: Room-sealed operation

- ▶ Check whether the vacuum chamber has been closed tightly.

7.10 Checking the heating mode

1. Activate the heating mode on the user interface.
2. Turn all thermostatic radiator valves on the radiators until they are fully open.
3. Allow the product to operate for at least 15 minutes.
4. Purge the heating installation.
5. Activate the display for the current operating status. (→ Page 15)
Status codes – Overview (→ Page 29)
 - ◁ If the product is working correctly, the display shows **S.04**.

8 Adapting the unit to the heating installation

You can reset/change the system parameters (section "Using diagnostics codes").

Overview of diagnostics codes (→ Page 26)

8.1 Burner anti-cycling time

To prevent frequent switching on and off of the burner and thus prevent energy losses, an electronic restart lockout is activated for a specific period each time the burner is switched off. The burner anti-cycling time is only active for the heating mode. Hot water handling mode during a burner anti-cycling time does not affect the time function element.

8.1.1 Setting the burner anti-cycling time

- ▶ Set the diagnostics code. (→ Page 15)
Overview of diagnostics codes (→ Page 26)

9 Handing the product over to the end user

8.1.2 Resetting the remaining burner anti-cycling time

- ▶ Press and hold the reset button for more than three seconds.
- ◁ \rightarrow is shown in the display.

9 Handing the product over to the end user

- ▶ When you have finished the installation, attach the sticker supplied (in the end user's language) to the product cover.
- ▶ Explain to the end user how the safety devices work and where they are located.
- ▶ Inform the end user how to handle the product.
- ▶ In particular, draw attention to the safety information which the end user must follow.
- ▶ Inform the end user that they must have the product maintained in accordance with the specified intervals.
- ▶ Instruct the end user about measures taken for routing the combustion air supply and flue system.

9.1 Informing the operator about the maintenance intervals

- ▶ Inform the operator that they must have the product maintained in accordance with the specified intervals.

10 Inspection and maintenance

10.1 Using original seals

If you replace components, use only the enclosed original seals; additional sealing materials are not required.

10.2 Observing inspection and maintenance intervals

- ▶ Adhere to the minimum inspection and maintenance intervals. The inspection may require maintenance to be carried out earlier, depending on the results.
 - Inspection and maintenance work (→ Appendix)

10.3 Procuring spare parts

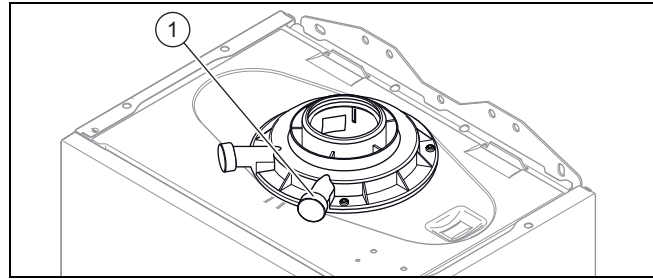
The original components of the product were also certified by the manufacturer as part of the declaration of conformity. If you use other, non-certified or unauthorised parts during maintenance or repair work, this may void the conformity of the product and it will therefore no longer comply with the applicable standards.

We strongly recommend that you use original spare parts from the manufacturer as this guarantees fault-free and safe operation of the product. To receive information about the available original spare parts, contact the contact address provided on the reverse of these instructions.

- ▶ If you require spare parts for maintenance or repair work, use only the spare parts that are permitted for the product.

10.4 Checking the CO₂ content

1. Start up the product with the check programme (P.01) and set the value.
 - Setting value for the programme P.01: 100
 - Check programmes – Overview
2. Wait until the value that is read is stable.
 - Waiting period for reading a stable value: 5 min



3. Unscrew the cover from the flue gas analysis point (1).
4. Measure the CO₂ content at the flue gas analysis point (1).
5. Compare the measured value with the corresponding value in the table.

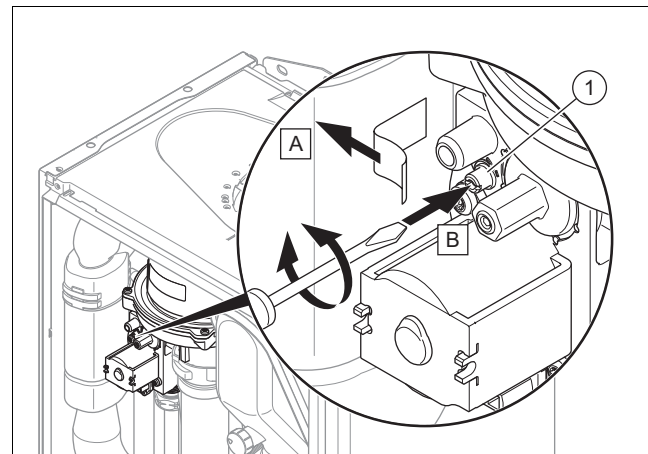
Checking the CO₂ content

Great Britain
front casing on / front casing off
Natural gas
G20
9.2 ± 1 %

- ◁ The value is OK.
- ▽ The value is not OK; you cannot start up the product.
 - ▶ Set the CO₂ content.

10.5 Setting the CO₂ content

Conditions: The CO₂ content must be adjusted



- ▶ Remove the sticker.
- ▶ Turn the screw (1) to set the CO₂ content (value with front casing removed).
 - ◁ To increase the CO₂ content: Turn anti-clockwise
 - ◁ To decrease the CO₂ content: Turn clockwise
- ▶ Only carry out the adjustment in increments of 1/8 turn and wait approximately 1 minute after each adjustment until the value stabilises.

- ▶ Compare the measured value with the corresponding value in the table.

Setting the CO₂ value

	Great Britain
	front casing on / front casing off
	Natural gas
	G20
CO ₂ at full load	9.2 ±0.2 %
Set for Wobbe index W ₀	14.09 kW-h/m ³
O ₂ at full load	4.5 ±1.8 vol. %
CO at full load	≤ 250 ppm
CO/CO ₂	≤ 0.0027

- ▽ If the setting is not in the specified adjustment range, you must not start up the product.
 - ▶ Inform Customer Service.
- ▶ Check whether the requirements regarding air pollution control and/or CO have been complied with.
- ▶ Install the front casing.

10.6 Removing the gas-air mixture unit

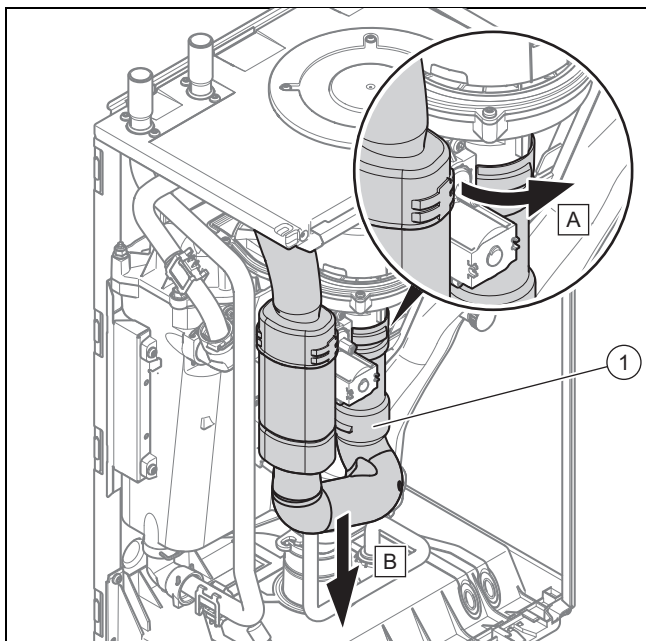


Note

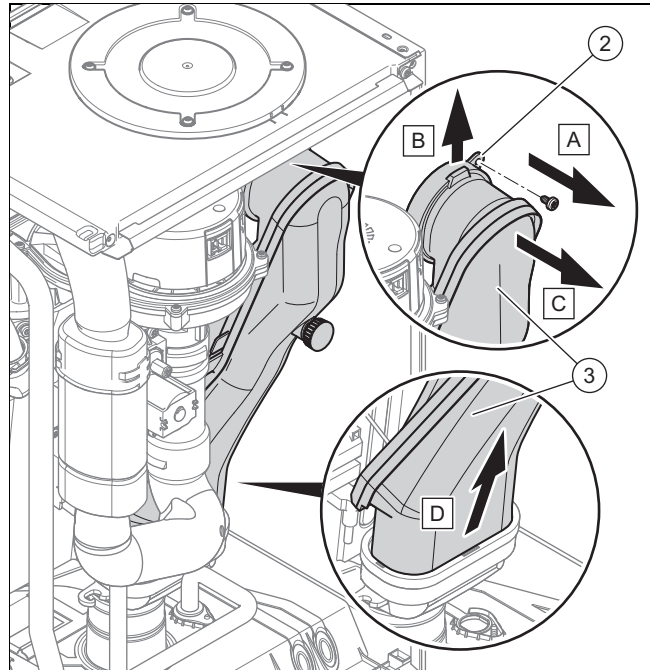
The gas-air mixture unit consists of three main components:

- Ventilator
- Gas valve
- Burner cover

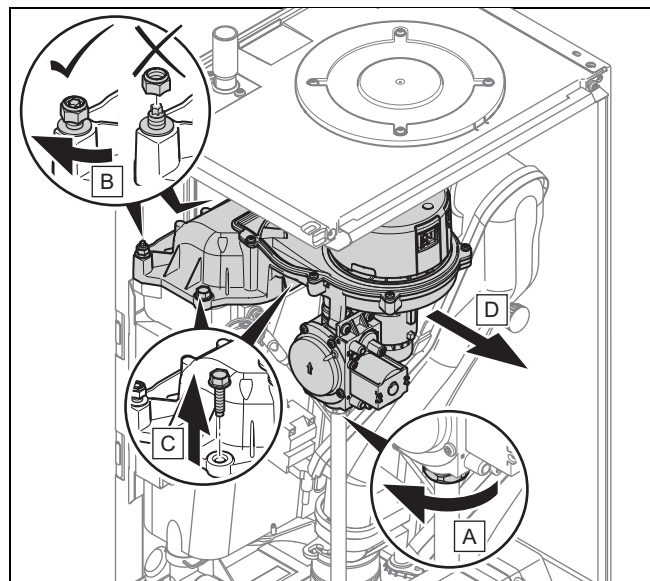
1. Switch off the product via the main switch.
2. Close the gas isolator cock.
3. Remove the front casing. (→ Page 9)



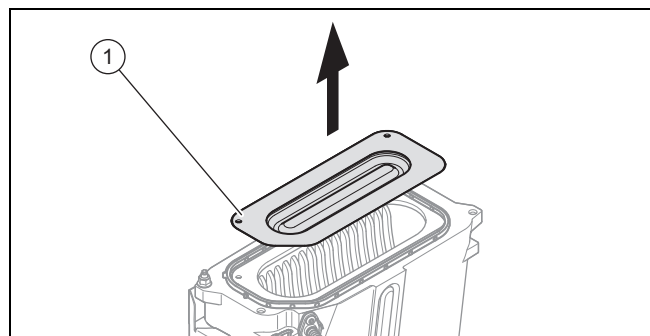
4. Remove the air intake pipe (1).



5. Remove the screw (2).
6. Push the clip upwards.
7. Remove the flue pipe (3).



8. Remove the plug from the gas valve and from the fan.
9. Remove the gas-air mixture unit.
10. Remove both burner seals from the burner cover.

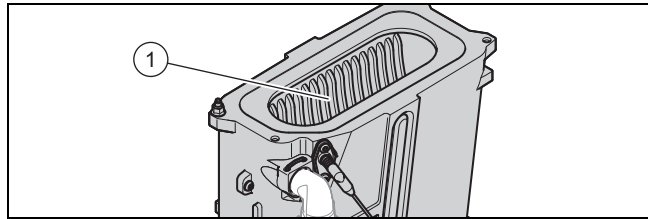


11. Remove the burner (4).

10 Inspection and maintenance

10.7 Cleaning the heat exchanger

1. Check the heat exchanger for damage and dirt.
2. If required, clean and replace the heat exchanger.
3. Protect the folded down electronics box against sprayed water.

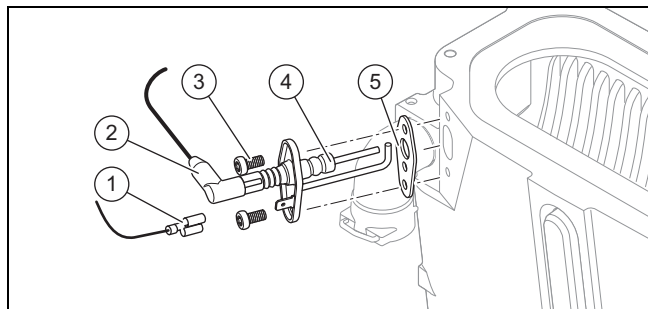


4. Clean the ribs of the heat exchanger (1) with water.
 - ◁ The water runs out via the condensate tray.

10.8 Checking the burner

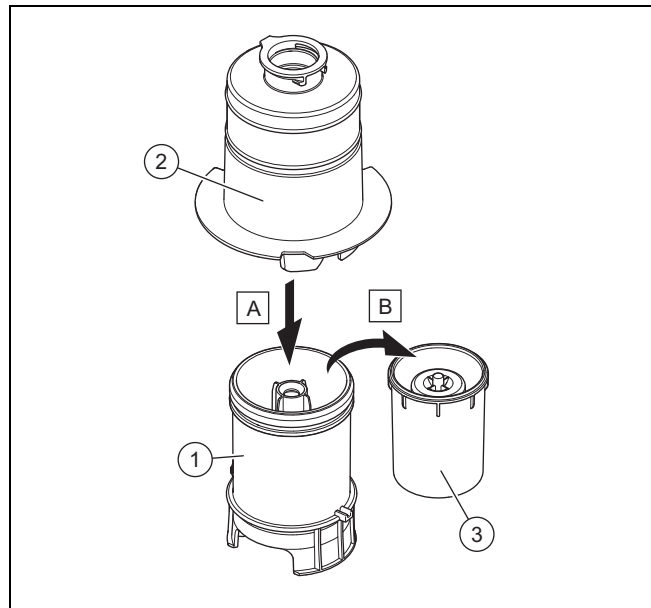
- ▶ Check the surface of the burner for damage. If you see any damage, replace the burner.

10.9 Checking the ignition electrode



1. Disconnect the connection (2) and the earthing cable (1).
2. Remove the fixing screws (3).
3. Carefully remove the electrode from the combustion chamber.
4. Check that the electrode ends (4) are undamaged.
5. Check the electrode distance.
 - Clearance for the ignition electrodes: 3.5 ... 4.5 mm
6. Make sure that the seal (5) is free from damage.
 - ▽ If necessary, replace the seal.

10.10 Cleaning the condensate siphon



1. Unclip the lower section of the siphon (1) from the upper section of the siphon (2).
2. Remove the float (3).
3. Flush out the lower section of the siphon with water.
4. Reinsert the float (3).



Note

Check whether the float is present in the condensate siphon.

5. Clip the lower section of the siphon (1) into the upper section of the siphon (2).

10.11 Installing the gas-air mixture unit

1. Install the burner.
2. Install two new burner seals in the burner hood.
3. Install the gas-air mixture unit.
4. Tighten the screws on the gas-air mixture unit.
 - Ideally to 7 Nm if a torque spanner is available.
5. Install the flue pipe.
6. Install the air intake pipe.

10.12 Draining the product

1. Close the service valves of the product.
2. Start check programme P.05 (→ Page 16).
Check programmes – Overview (→ Page 25)
3. Open the drain valves.

10.13 Completing inspection and maintenance work

1. Check the gas connection pressure (gas flow pressure). (→ Page 18)
2. Check the CO₂ content.

10.14 Checking the product for leak-tightness


- ▶ Check that the product is leak-tight. (→ Page 19)

11 Troubleshooting

11.1 Rectifying faults

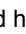

- ▶ If fault codes (**F.XX**) are present, refer to the table in the appendix for advice or use the check programme(s).
Overview of fault codes (→ Page 30)
Check programmes – Overview (→ Page 25)

If several faults are present at the same time, the fault codes are displayed alternately followed by the time at which the respective fault occurred.

- ▶ Hold the  button down for more than 3 seconds.
- ▶ If you are unable to clear the fault code and it reappears despite several reset attempts, contact customer service.

11.2 Calling up the fault memory

The last ten fault codes are stored in the fault memory (together with the time at which the respective fault occurred).

- ▶ Press and hold the  button for more than seven seconds.
Overview of fault codes (→ Page 30)
- ▶ Press the  button to exit this menu.

11.3 Deleting the fault memory

- ▶ Delete the fault memory (d.94).
Overview of diagnostics codes (→ Page 26)

11.4 Preparing the repair work

1. Decommission the product.
2. Disconnect the product from the electrical installation.
3. Remove the front casing.
4. Close the gas stopcock.
5. Close the service valves in the heating flow and in the heating return.
6. Close the service valve in the cold water pipe.
7. Drain the product if you want to replace water-bearing components of the product.
8. Make sure that water does not drip on live components (e.g. the electronics box).
9. Use only new seals and O-rings. Do not use any additional components.

11.5 Replacing defective components

11.5.1 Replacing the burner

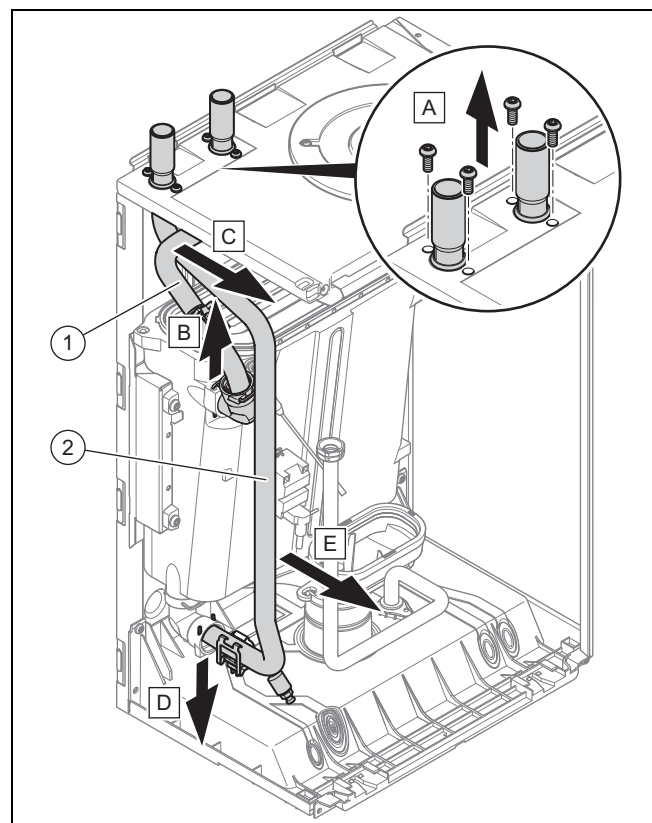
1. Remove the gas-air mixture unit. (→ Page 21)
2. Remove the burner seal.
3. Remove the burner.
4. Install the new burner complete with new seal on the heat exchanger.
5. Install the gas-air mixture unit. (→ Page 22)

11.5.2 Replacing the gas-air mixture unit

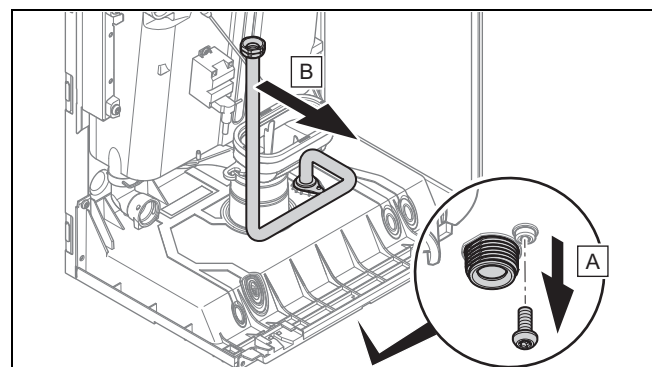
1. Remove the gas-air mixture unit. (→ Page 21)
2. Install the new gas-air mixture (→ Page 22).

11.5.3 Replacing the heat exchanger

1. Remove the side section. (→ Page 9)
2. Remove the gas-air mixture unit. (→ Page 21)

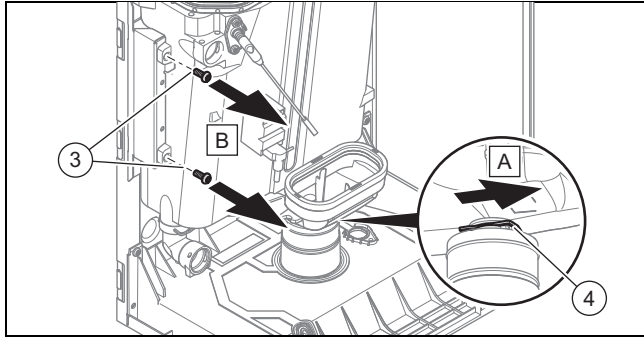


3. Remove the flow pipe (1).
4. Remove the return pipe (2).

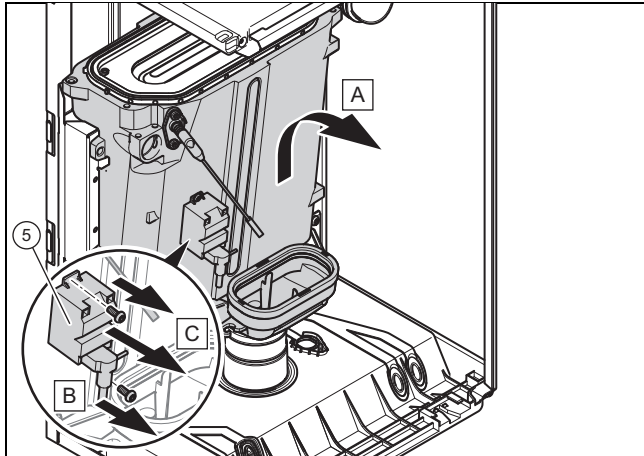


5. Remove the gas pipe.

12 Decommissioning the product

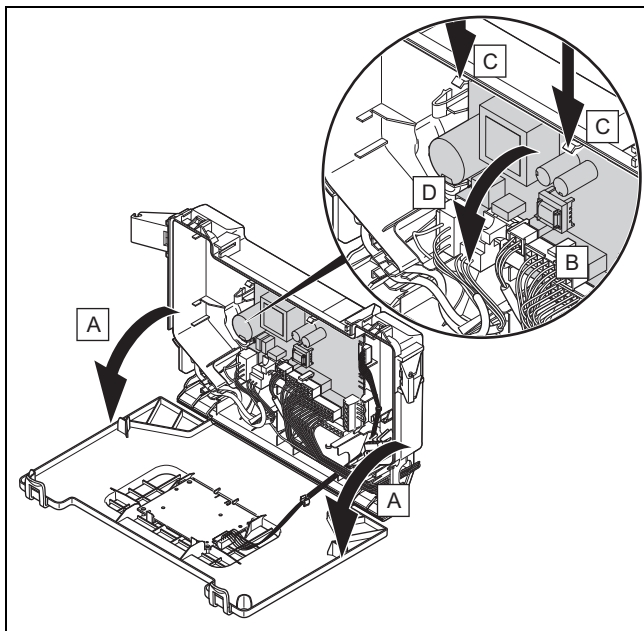


6. Undo the clip underneath the condensate tray (4).
7. Undo the two screws (3).



8. Lift the heat exchanger up slightly and remove it together with the condensate tray.
9. Remove the ignition transformer (5).
10. Replace all the seals.
11. Install the new heat exchanger in reverse order.

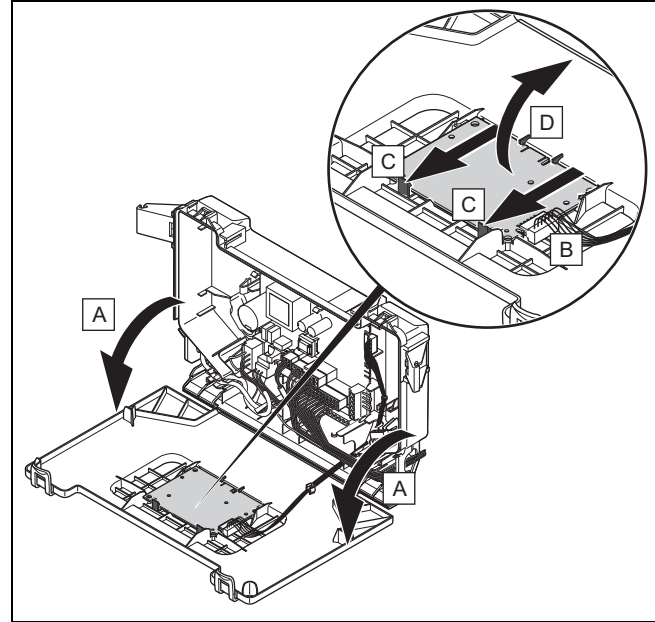
11.5.4 Replacing the main PCB



1. Open the electronics box. (→ Page 13)
2. Pull all of the plugs out from the PCB.
3. Undo the clips on the PCB.
4. Remove the PCB.

5. Install the new PCB in such a way that it clicks into the groove at the bottom and into the clip at the top.
6. Plug in the PCB plugs.
7. Close the electronics box.

11.5.5 Replacing the PCB for the user interface



1. Open the electronics box. (→ Page 13)
2. Pull the plug out of the PCB.
3. Undo the clips on the PCB.
4. Remove the PCB.
5. Install the new PCB in such a way that it clicks into the groove at the bottom and into the clip at the top.
6. Plug in the PCB plug.
7. Close the electronics box.

11.6 Checking the product for leak-tightness

- ▶ Check that the product is leak-tight. (→ Page 19)

12 Decommissioning the product

- ▶ Switch off the product.
- ▶ Disconnect the product from the power mains.
- ▶ Close the gas isolator cock.
- ▶ Close the cold water stop valve.
- ▶ Drain the product. (→ Page 22)

13 Customer service

For contact details for our customer service department, you can write to the address that is provided on the back page, or you can visit www.glow-worm.co.uk.

Appendix

A Inspection and maintenance work – Overview

The table below lists the manufacturer requirements with respect to minimum inspection and maintenance intervals. If national regulations and directives require shorter inspection and maintenance intervals, you should observe these instead of the intervals listed in the table.

No.	Work	Inspection (annual)	Maintenance (must be carried out at regular intervals)*
1	Check the air/flue pipe for leak-tightness and to ensure that it is fastened correctly. Make sure that it is not blocked or damaged and has been installed in accordance with the relevant Installation Manual.	X	X
2	Check the general condition of the product. Remove dirt from the product and from the vacuum chamber.	X	X
3	Visually inspect the general condition of the entire heating cell and, in particular, check for signs of corrosion, soot or other damage. If you notice any damage, carry out maintenance work.	X	X
4	Check the gas connection pressure at maximum heat input. If the gas connection pressure is not within the correct range, carry out maintenance work.	X	X
5	Check the CO ₂ content (the air ratio) of the product and, if necessary, adjust it. Keep a record of this.	X	X
6	Disconnect the product from the power mains. Check that the electrical plug connections and other connections are seated correctly and correct these if necessary.	X	X
7	Close the gas isolator cock and the service valves.	X	X
8	Drain the product on the water side.		X
9	Remove the gas-air mixture unit.		X
10	Check the seals in the combustion area. If you see any damage, replace the seals. Replace the burner seal each time it is opened and accordingly each time maintenance is carried out.		X
11	Clean the heat exchanger.		X
12	Check the burner for damage and replace it if necessary.		X
13	Check the condensate siphon in the product, clean and fill if necessary.	X	X
14	Install the gas-air mixture unit. Caution: Replace the seals.		X
15	Open the gas isolator cock, reconnect the product to the power mains and switch the product on.	X	X
16	Open the service valves, fill the product/heating installation.		X
17	Perform a test operation of the product and heating installation, including hot water generation, and purge the system once more if necessary.	X	X
18	Visually inspect the ignition and burner behaviour.	X	X
19	Check the CO ₂ content (the air ratio) of the product again.		X
20	Check the product for gas, flue gas, hot water and condensate leaks, and repair if necessary.	X	X
21	Record the inspection/maintenance work carried out.	X	X

*Note: For those appliances which are not part of an annual service agreement/policy, maintenance must be carried out at least every 5 years.

B Check programmes – Overview



Note

Since the programme table is used for various products, some programmes may not be visible for the product in question.

Display	Meaning
P.01	Start up the burner at the adjustable heat input: The product is operated after a successful ignition with the set heat input between "0" (0% = Pmin) and "100" (100% = Pmax). The function is activated for 15 minutes.

Appendix

Display	Meaning
P.02	Start up the burner at ignition load: The product is operated at ignition load after successful ignition. The function is activated for 15 minutes.
P.03	The product runs in heating mode with the maximum heat input set using diagnostics code d.00.
P.04	Maximum output function: If there is a hot water request, the product runs in hot water handling mode with maximum heat input. If there is no hot water request, the product runs in heating mode with the heating partial load that is set using diagnostics code d.00. The function is activated for 15 minutes.
P.05	Filling the product: The diverter valve is moved to the mid-position. The burner and pump are switched off (to fill or drain the product). If the pressure is lower than 0.05 MPa (0.5 bar) and then is above 0.07 MPa (0.7 bar) for longer than 15 seconds, the automatic purging function is activated. The function is activated for 15 minutes.
P.06	Purging the heating circuit: The diverter valve is moved to the heating position. The function is activated in the heating circuit for 15 minutes. The pump runs and stops at regular intervals. If required, this function can be manually switched off.
P.07	Purging the hot water circuit: The function is activated in the small hot water circuit for 4 minutes and then in the heating circuit for 1 minute. The pump runs and stops at regular intervals. If required, this function can be manually switched off.
P.10	Safety cut-out check
Automatic purging function	Purging the product: If the pressure is lower than 0.05 MPa (0.5 bar) and then is above 0.07 MPa (0.7 bar) for longer than 15 seconds, the automatic purging function is activated. The function is activated in the small hot water circuit for 4 minutes and then in the heating circuit for 1 minute. This function cannot be manually switched off.

C Overview of diagnostics codes

Setting level	Values		Unit	Increment, select, explanation	Default setting	Own setting
	Min.	Max.				
d.00 Heating maximum output	–	–	kW	The maximum heating output varies depending on the product. → Section "Technical data"	→ Section "Technical data"	Adjustable
d.01 Pump overrun in heating mode	1	60	min	1	5	Adjustable
d.02 Burner anti-cycling time in heating mode	2	60	min	1	20	Adjustable
d.04 Water temperature in the cylinder	Current value		°C	–	–	Not adjustable
d.05 Determined heating flow set target temperature	Current value		°C	–	–	Not adjustable
d.07 Set target temperature for the domestic hot water cylinder	Current value		°C	–	–	Not adjustable
d.08 Status of the 230 V thermostat	Current value		–	0 = Room thermostat open (no heat requirement) 1 = Room thermostat closed (heat requirement)	–	Not adjustable
d.09 Heating flow set target temperature that is set on the eBUS room thermostat	Current value		–	–	–	Not adjustable
d.10 Status of the internal pump in the heating circuit	Current value		–	off / on	–	Not adjustable
d.11 Status of the heating circuit's shunt pump	Current value		–	off / on	–	Not adjustable

Setting level	Values		Unit	Increment, select, explanation	Default setting	Own setting
	Min.	Max.				
d.13 Status of the hot water circuit's circulation pump	Current value		–	off / on	–	Not adjustable
d.16 Status of the 24 V room thermostat	Current value		–	off = Heating off on = Heating on	–	Not adjustable
d.17 Heating control	–	–	–	off = Flow temperature on = Return temperature (adjustment for underfloor heating. If you have activated the return temperature control, the automatic heating output determination function is not active.)	0	Adjustable
d.18 Pump overrun operating mode	1	3	–	1 = Comfort (continuously operating pump) 3 = Eco (intermittent pump mode – for the dissipation of the residual heat after hot water generation at an extremely low heat demand)	1	Adjustable
d.20 Maximum hot water set target temperature	50	60	°C	1	50	Adjustable
d.23 Status of the heating demand	Current value		–	off = Heating off (Summer mode) on = Heating on	–	Not adjustable
d.24 Status of the pressure monitor	0	1	–	off = Not switched on = Switched	–	Not adjustable
d.25 Status of the requirement to reheat the cylinder or for the hot water warm start from the eBUS thermostat	Current value		–	off = Function deactivated on = Function activated	–	Not adjustable
d.27 Function of relay 1 (multi-functional module)	1	10	–	1 = Circulation pump 2 = External pump 3 = Cylinder charging pump 4 = Extractor hood 5 = External solenoid valve 6 = External fault message 7 = Solar pump (omitted) 8 = eBUS remote control 9 = Legionella protection pump 10 = Solar valve	1	Adjustable
d.28 Function of relay 2 (multi-functional module)	1	10	–	1 = Circulation pump 2 = External pump 3 = Cylinder charging pump 4 = Extractor hood 5 = External solenoid valve 6 = External fault message 7 = Solar pump (omitted) 8 = eBUS remote control 9 = Legionella protection pump 10 = Solar valve	2	Adjustable
d.31 Automatic filling device	0	2	–	0 = Manual 1 = Semi-automatic 2 = Automatic	0	Adjustable
d.33 Fan speed target value	Current value		rpm	Fan speed = Display value x 100	–	Not adjustable
d.34 Value for the fan speed	Current value		rpm	Fan speed = Display value x 100	–	Not adjustable
d.40 Heating flow temperature	Current value		°C	–	–	Not adjustable
d.41 Heating return temperature	Current value		°C	–	–	Not adjustable
d.43 Heating curve	0.2	4	–	0.1	1.2	Adjustable
d.45 Value for the base point of the heating curve	15	30	–	1	20	Adjustable

Appendix

Setting level	Values		Unit	Increment, select, explanation	Default setting	Own setting
	Min.	Max.				
d.47 Outside temperature	Current value		°C	–	–	Not adjustable
d.50 Correction of the minimum fan speed	0	3000	rpm	1 Fan speed = Display value x 10	600	Adjustable
d.51 Correction of the maximum fan speed	-2500	0	rpm	1 Fan speed = Display value x 10	-1000	Adjustable
d.58 Solar circuit reheating	0	3	–	0 = Boiler's Legionella protection function deactivated 3 = Hot water activated (target value min. 60 °C)	0	Adjustable
d.60 Number of blocks by the temperature sensor	Current value		–	–	–	Not adjustable
d.61 Number of successful ignitions	Current value		–	–	–	Not adjustable
d.62 Night set-back	0	30	–	1	0	Adjustable
d.64 Average burner ignition time	Current value		s	–	–	Not adjustable
d.65 Maximum burner ignition time	Current value		s	–	–	Not adjustable
d.66 Activation of the warm start function for hot water	–	–	–	off = Function deactivated on = Function activated	1	Adjustable
d.67 Remaining burner anti-cycling time (setting under d.02)	Current value		min	–	–	Not adjustable
d.68 Number of unsuccessful ignitions at 1st attempt	Current value		–	–	–	Not adjustable
d.69 Number of unsuccessful ignitions at 2nd attempt	Current value		–	–	–	Not adjustable
d.71 Maximum heating flow set target temperature	45	80	°C	1	75	Adjustable
d.75 Maximum cylinder reheating time	20	90	min	1	45	Adjustable
d.77 Max. cylinder reheating	–	–	kW	1 → Section "Technical data"	–	Adjustable
d.78 DHW max. flow temperature	50	80	°C	1	–	Adjustable
d.80 Running time in heating mode	Current value		h	–	–	Not adjustable
d.81 Running time in DHW mode	Current value		h	–	–	Not adjustable
d.82 Number of burner ignitions in heating mode	Current value		–	Number of ignitions = Display value x 100	–	Not adjustable
d.83 Number of burner ignitions in DHW mode	Current value		–	Number of ignitions = Display value x 100	–	Not adjustable
d.84 Maintenance in	0	3000	h	Number of hours = Display value x 10	300	Not adjustable
d.85 Increase in the min. output (heating and DHW mode)	–	–	kW	1 → Section "Technical data"	–	Adjustable
d.90 Status of the eBUS room thermostat	Current value		–	off = Not connected on = Connected	–	Not adjustable
d.93 Setting the product code	0	99	–	1	–	Adjustable
d.94 Delete fault list	0	1	–	off = No on = Yes	–	Adjustable
d.95 Software versions	–	–	–	1 = Main PCB 2 = Interface PCB	–	Adjustable
d.96 Reset to factory setting	–	–	–	0 = No 1 = Yes	–	Adjustable

Setting level	Values		Unit	Increment, select, explanation	Default setting	Own setting
	Min.	Max.				
d.128 Heating minimum target value	10	75	°C	1	10	Adjustable
d.129 Hot water minimum target value	35 (combination unit) 45 (pure boiler)	60	°C	1	35	Adjustable

D Status codes – Overview

Status code	Meaning
Displays in heating mode	
S. 0	Heating mode: No requirement
S.01	Heating mode: Advance fan operation
S.02	Heating mode: Pump pre-run
S.03	Heating mode: Burner ignition
S.04	Heating mode: Burner on
S.05	Heating mode: Pump/fan overrun
S.06	Heating mode: Fan overrun
S.07	Heating mode: Pump overrun
S.08	Heating mode: Temporary shutdown after heating procedure
Display in hot water handling mode with cylinder	
S.20	Hot water handling mode: Requirement
S.21	Hot water handling mode: Advance fan operation
S.22	Hot water handling mode: Pump pre-run
S.23	Hot water handling mode: Burner ignition
S.24	DHW mode: Burner on
S.25	DHW mode: Pump/fan overrun
S.26	DHW mode: Fan overrun
S.27	DHW mode: Pump overrun
S.28	Hot water handling mode: Temporary shutdown of the burner
Other displays	
S.30	Room thermostat is blocking heating mode.
S.31	No heating demand: Summer mode, eBUS controller, waiting period
S.32	Fan waiting time: Fan speed outside of the tolerance values
S.34	Frost protection active
S.39	Underfloor heating contact open
S.42	Flue non-return flap closed
S.46	Frost protection mode (Comfort): Minimum load
S.53	Product in waiting period/operation block function due to low water pressure (flow/return spread too large)
S.54	Waiting period: Low water pressure in the circuit (flow/return spread too large)
S.88	Product purging active
S.91	Maintenance: Demo mode
S.96	Automatic test programme: Return temperature sensor, heating demands blocked.
S.98	Automatic test programme: Return temperature sensor, heating demands blocked.
S.99	Internal automatic test programmes
S.108	Purging the combustion chamber, fan in operation
S.109	Product's standby mode activated

Appendix

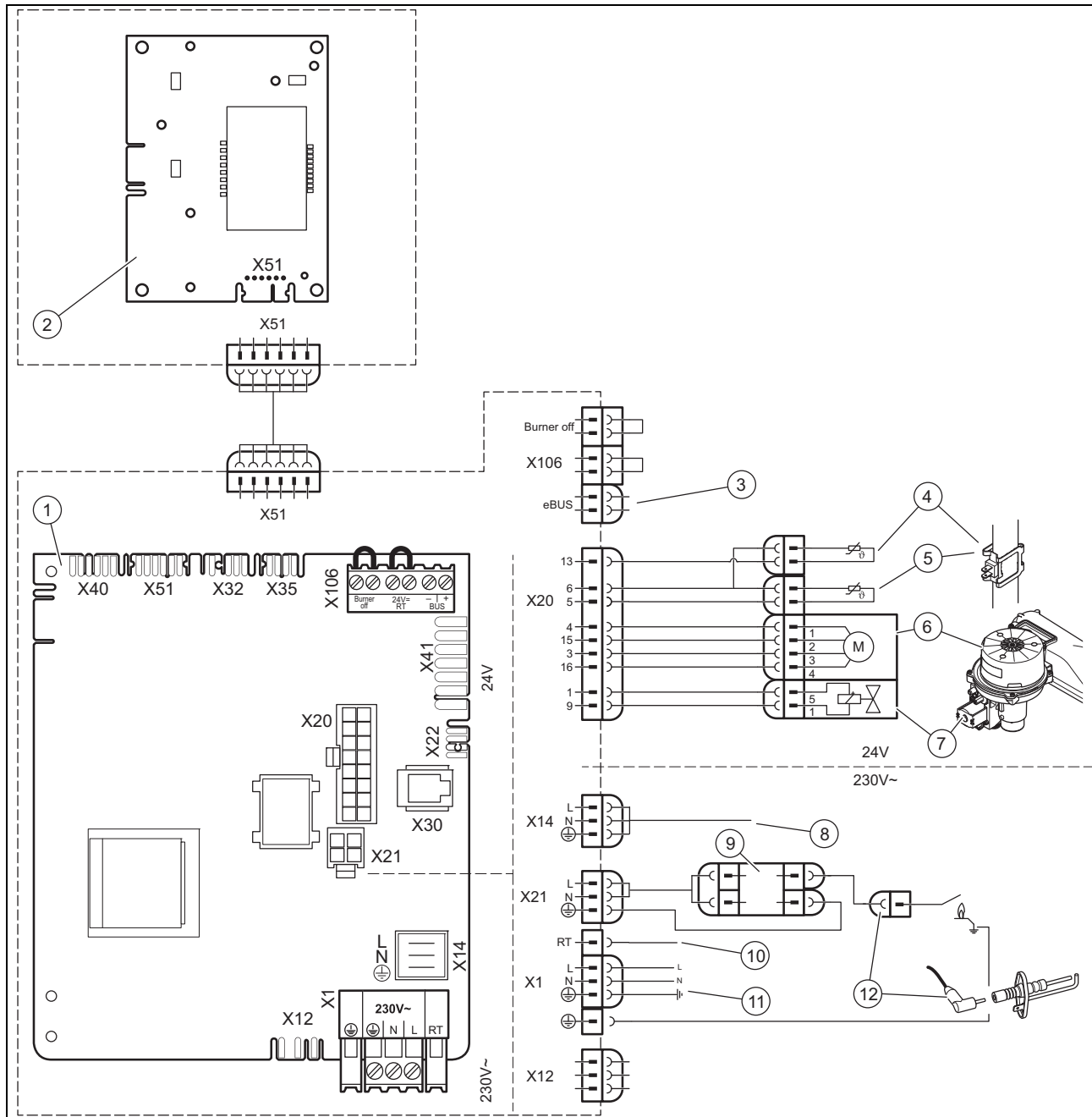
E Overview of fault codes

Fault code	Meaning	Possible cause
F.00	Fault: Flow temperature sensor	NTC plug not plugged in or has come loose, multiple plug on the PCB not plugged in correctly, interruption in cable harness, NTC sensor defective
F.01	Fault: Return temperature sensor	NTC plug not plugged in or has come loose, multiple plug on the PCB not plugged in correctly, interruption in cable harness, NTC sensor defective
F.10	Short circuit: Flow temperature sensor	NTC sensor defective, short circuit in the cable harness, cable/casing
F.11	Short circuit: Return temperature sensor	NTC sensor defective, short circuit in the cable harness, cable/casing
F.12 and F.91	Short circuit: Cylinder temperature sensor	NTC sensor defective, short circuit in the cable harness, cable/casing
F.13	Short circuit: Domestic hot water cylinder temperature sensor	NTC sensor defective, short circuit in the cable harness, cable/casing
F.20	Safety switch-off: Overheating temperature reached	Incorrect earth connection between cable harness and product, flow or return NTC defective (loose connection), black discharge via ignition cable, ignition plug or ignition electrode
F.23	Safety switch-off: Temperature difference too great (NTC1/NTC2)	Pump blocked, insufficient pump output, air in product, flow and return NTC sensors connected the wrong way round
F.24	Safety switch-off: Temperature rise too fast	Pump blocked, insufficient pump output, air in product, system pressure too low, non-return valve blocked/incorrectly installed
F.25	Safety switch-off: Flue gas temperature too high	Break in plug connection for optional flue gas safety cut-out (STB), break in cable harness
F.27	Safety switch-off: Fault in flame detection	Moisture on the electronics, electronics (flame monitor) defective, gas solenoid valve leaking
F.28	Fault: Ignition unsuccessful when starting up	Gas meter defective or gas pressure monitor has triggered, air in gas, gas flow pressure too low, thermal isolator device (TAE) has triggered, incorrect gas restrictor, incorrect spare gas valve, fault on the gas valve, multiple plug on PCB incorrectly plugged in, break in cable harness, ignition system (ignition transformer, ignition cable, ignition plug, ignition electrode) defective, ionisation current interrupted (cable, electrode), incorrect earthing of product, electronics defective
F.29	Fault: Flame loss	Gas supply temporarily stopped, flue gas recirculation, incorrect earthing of product, ignition transformer has spark failure
F.32	Fan frost protection function active: Fan speed outside the tolerance values	Plug on fan not correctly plugged in, multiple plug on PCB not correctly plugged in, break in cable harness, fan blocked, Hall sensor defective, electronics defective
F.49	eBUS fault: Voltage too low	Short circuit on eBUS, eBUS overload or two power supplies with different polarities on the eBUS
F.61	Fault: Gas valve control system	Short circuit/short to earth in cable harness for the gas valve, gas valve defective (coils shorted to earth), electronics defective
F.62	Fault: Gas valve switch-off control	Delayed switch-off of gas valve, delayed extinguishing of flame signal, gas valve leaking, electronics defective
F.63	Fault: EEPROM	Electronics defective
F.64	Fault: Electronics/sensor/analogue-to-digital converter	Flow or return NTC short circuited, electronics defective
F.65	Fault: Electronics temperature too high	Electronics overheating due to external influences, electronics defective
F.67	Value sent back by ASIC is incorrect (flame signal)	Implausible flame signal, electronics defective
F.68	Fault: Unstable flame (analogue input)	Air in gas, gas flow pressure too low, incorrect air ratio, incorrect gas restrictor, ionisation flow interruption (cable, electrode)
F.70	Invalid product code (DSN)	Display and PCB replaced at same time and Device Specific Number not reset, wrong or missing output range coding resistance
F.71	Fault: Flow/return temperature sensor	Flow temperature sensor signalling constant value: Flow temperature sensor incorrectly positioned on supply pipe, flow temperature sensor defective
F.72	Fault: Deviation in the water pressure sensor/return temperature sensor	Flow/return NTC temperature difference too great → flow and/or return temperature sensor defective
F.77	Fault: Condensate or smoke	No response, flue non-return flap defective
F.78	Interruption to DHW outlet sensor at external controller	UK link box is connected, but hot water NTC not bridged

Fault code	Meaning	Possible cause
F.83	Fault: Dry fire	When the burner starts, the temperature change registered at the flow or return temperature sensor is non-existent or too small: Insufficient water in the product, the flow or return temperature sensor is not in the correct position on the pipe
F.84	Fault: Flow/return temperature sensor	Values not consistent, difference < -6 K Flow and return temperature sensors signalling implausible values: Flow and return temperature sensors have been inverted, flow and return temperature sensors have not been correctly installed
F.85	Fault: Temperature sensor	The flow and/or return temperature sensors have been installed on the same pipe/incorrect pipe Temperature sensor not connected or is connected incorrectly
F.86	Fault: Underfloor heating contact	Underfloor heating contact open, sensor disconnected or defective
F.87	Fault: Electrodes	Electrodes not connected or they are connected incorrectly, short circuit in the cable harness
F.88	Fault: Gas valve	Gas valve not connected or it is connected incorrectly, short circuit in the cable harness
Connection	No communication between the PCB and the user interface	Electronics defective

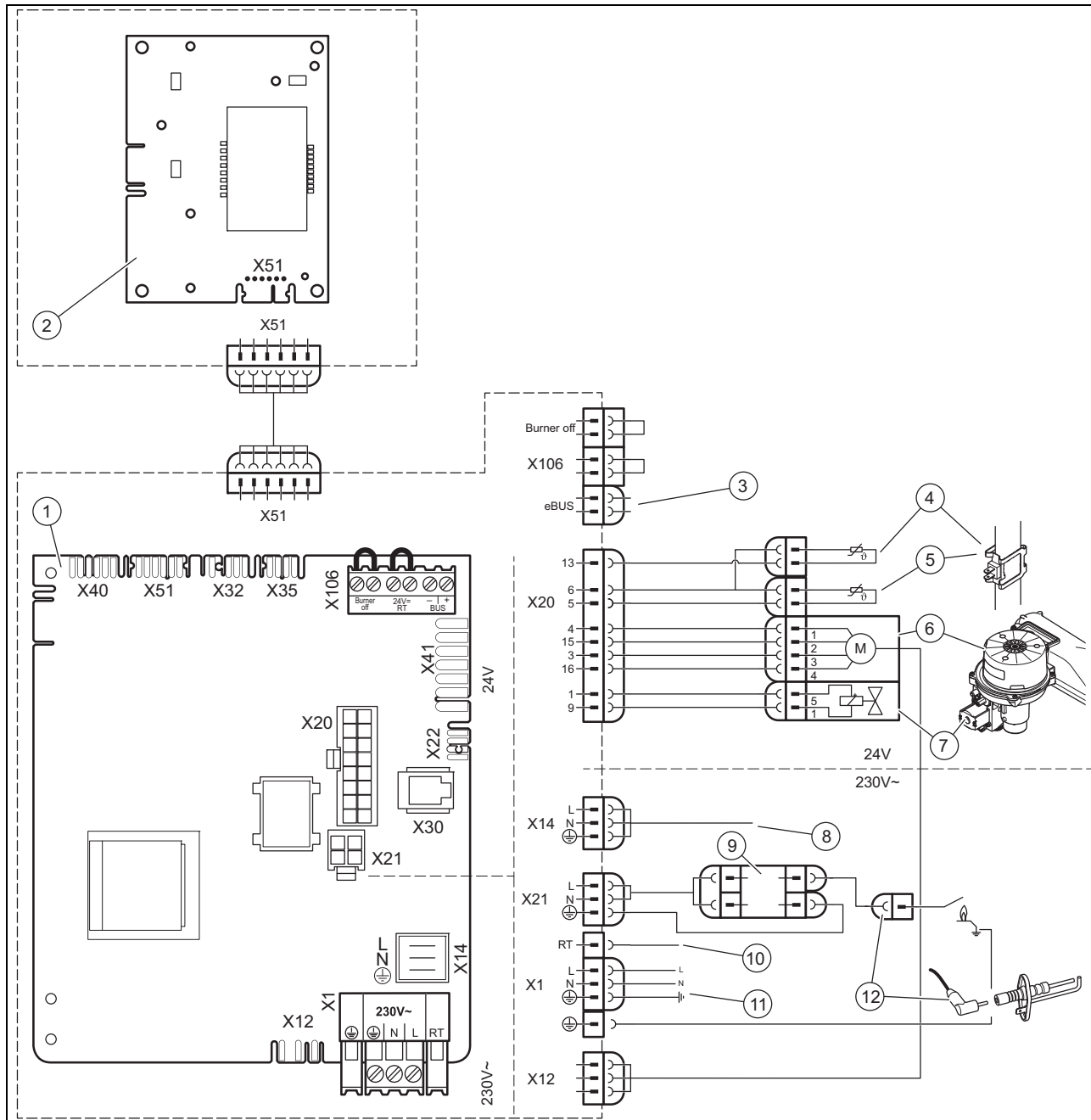
Appendix

F Wiring diagram



- | | | | |
|---|--|----|--|
| 1 | Main PCB | 7 | Gas valve assembly |
| 2 | Interface PCB | 8 | Heating pump |
| 3 | Control system | 9 | Monitoring electrode |
| 4 | Temperature sensor on the heating flow | 10 | Room thermostat |
| 5 | Temperature sensor on the heating return | 11 | Main power supply and connection for 230 V control |
| 6 | Fan | 12 | Ignition electrode |

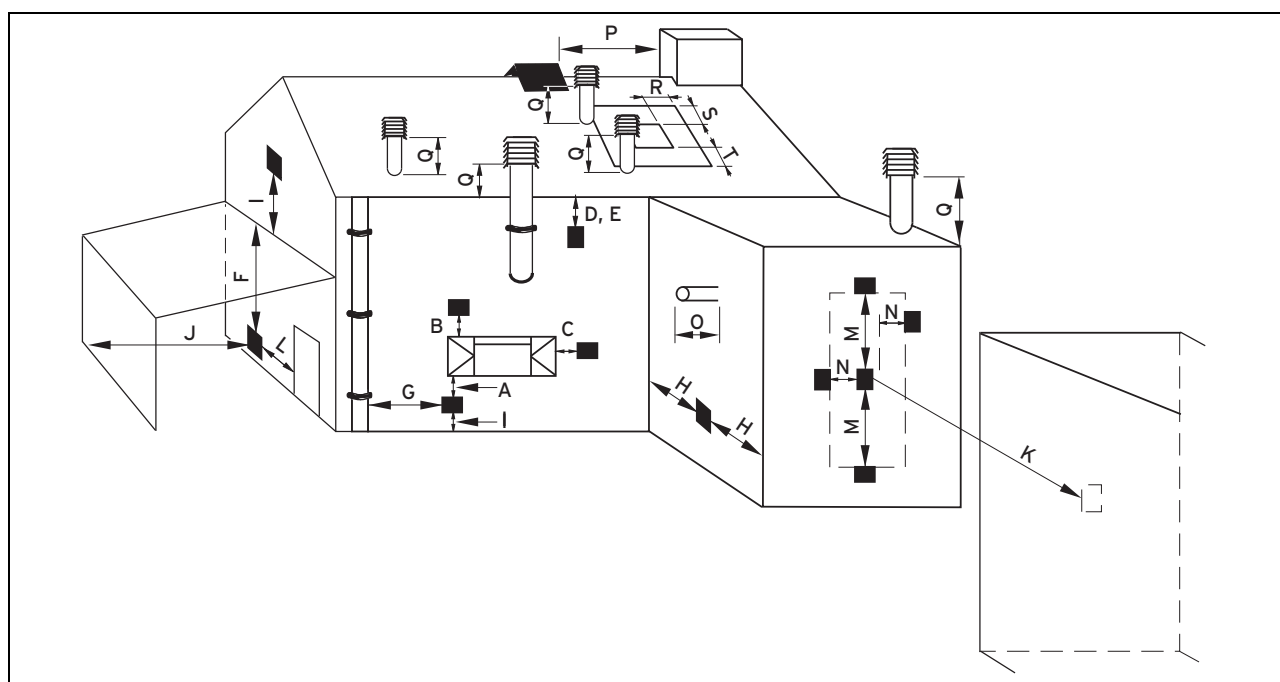
G Wiring diagram, 30 kW



- | | | | |
|---|--|----|--|
| 1 | Main PCB | 7 | Gas valve assembly |
| 2 | Interface PCB | 8 | Heating pump |
| 3 | Control system | 9 | Monitoring electrode |
| 4 | Temperature sensor on the heating flow | 10 | Room thermostat |
| 5 | Temperature sensor on the heating return | 11 | Main power supply and connection for 230 V control |
| 6 | Fan | 12 | Ignition electrode |

Appendix

H Position of the opening in the air/flue pipe



H.1 Positioning of the opening of a fan-supported flue gas pipe

	Installation site	Minimum dimensions
A	Directly below an opening, air bricks, opening windows, etc., that can be opened.	300 mm
B	Above an opening, air bricks, opening windows, etc., that can be opened.	300 mm
C	Horizontally to an opening, air bricks, opening windows, etc., that can be opened.	300 mm
D	Below temperature-sensitive building components, e.g. plastic gutters, down pipes or wastewater pipes	75 mm
E	Below eaves	200 mm
F	Below balconies or car port roofs	200 mm
G	From vertical wastewater pipes or down pipes	150 mm
H	From external or internal corners	200 mm
I	Above floors, roofs or balconies	300 mm
J	From a surface facing a terminal	600 mm
K	From a terminal facing a terminal	1,200 mm
L	From an opening in the car port (e.g. door, window) which leads into the dwelling	1,200 mm
M	Vertical from a terminal on the same wall	1,500 mm
N	Horizontal from a terminal on the same wall	300 mm
O	From the wall on which the terminal has been installed	0 mm
P	From a vertical structure on the roof	300 mm
Q	Above the roof area	300 mm
R	Horizontal from adjacent windows on pitched or flat roofs	600 mm
S	Above adjacent windows on pitched or flat roofs	600 mm
T	Below adjacent windows on pitched or flat roofs	2,000 mm

H.2 Horizontal terminal positioning

BS 5440-1 recommends that fanned flue chimney terminals should be positioned as follows:

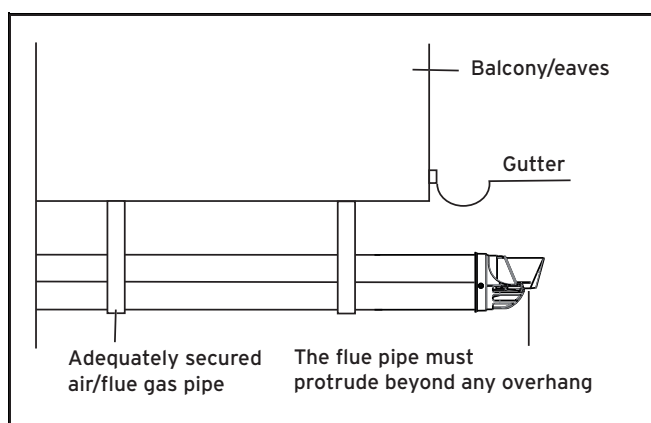
- a) at least 2 m from an opening in the building directly opposite, and
- b) so that the products of combustion are not directed to discharge directly across a boundary if the products are likely to cause a nuisance to a neighbour or discharge over a walkway or patio.

For IE see current issue of IS 813.

For boilers covered within this manual.

1) Dimensions D, E, F and G:

These clearances may be reduced to 25 mm without affecting the performance of the boiler. In order to ensure that the condensate plume does not affect adjacent surfaces the terminal should be extended as shown below.



2) Dimension H:

This clearance may be reduced to 25 mm without affecting the performance of the boiler. However, in order to ensure that the condensate plume does not affect adjacent surfaces a clearance of 300 mm is preferred.

For 1 and 2 above you can use a flue gas management kit to enable the termination point to be positioned and directed away from the building fabric.

I Commissioning Checklist

Benchmark Commissioning and Servicing Section

It is a requirement that the boiler is installed and commissioned to the manufacturers instructions and the data fields on the commissioning checklist completed in full.

To instigate the boiler guarantee the boiler needs to be registered with the manufacturer within one month of the installation.

To maintain the boiler guarantee it is essential that the boiler is serviced annually by a Gas Safe registered engineer who has been trained on the boiler installed. The service details should be recorded on the Benchmark Service Interval Record and left with the householder.



www.centralheating.co.uk

GAS BOILER SYSTEM COMMISSIONING CHECKLIST

This Commissioning Checklist is to be completed in full by the competent person who commissioned the boiler as a means of demonstrating compliance with the appropriate Building Regulations and then handed to the customer to keep for future reference.

Failure to install and commission according to the manufacturer's instructions and complete this Benchmark Commissioning Checklist will invalidate the warranty. This does not affect the customer's statutory rights.

Customer name:	Telephone number:
Address:	
Boiler make and model:	
Boiler serial number:	
Commissioned by (PRINT NAME):	Gas Safe register number:
Company name:	Telephone number:
Company address:	
Commissioning date:	

To be completed by the customer on receipt of a Building Regulations Compliance Certificate*

Building Regulations Notification Number (if applicable):

CONTROLS (tick the appropriate boxes)			
Time and temperature control to heating	Room thermostat and programmer/timer		Programmable room thermostat
	Load/weather compensation		Optimum start control
Time and temperature control to hot water	Cylinder thermostat and programmer/timer		Combination Boiler
Heating zone valves	Fitted		Not required
Hot water zone valves	Fitted		Not required
Thermostatic radiator valves	Fitted		Not required
Automatic bypass to system	Fitted		Not required
Boiler interlock			Provided

ALL SYSTEMS			
The system has been flushed and cleaned in accordance with BS7593 and boiler manufacturer's instructions	Yes		
What system cleaner was used?			
What inhibitor was used?	Quantity	litres	
Has a primary water system filter been installed?	Yes	No	

CENTRAL HEATING MODE measure and record:			
Gas rate	m ³ /hr	OR	ft ³ /hr
Burner operating pressure (if applicable)	mbar	OR Gas inlet pressure	mbar
Central heating flow temperature			°C
Central heating return temperature			°C

COMBINATION BOILERS ONLY			
Is the installation in a hard water area (above 200ppm)?	Yes	No	
If yes, and if required by the manufacturer, has a water scale reducer been fitted?	Yes	No	
What type of scale reducer has been fitted?			

DOMESTIC HOT WATER MODE Measure and Record:			
Gas rate	m ³ /hr	OR	ft ³ /hr
Burner operating pressure (at maximum rate)	mbar	OR Gas inlet pressure at maximum rate	mbar
Cold water inlet temperature			°C
Hot water has been checked at all outlets	Yes	Temperature	°C
Water flow rate			l/min

CONDENSING BOILERS ONLY	
The condensate drain has been installed in accordance with the manufacturer's instructions and/or BS5546/BS6798	Yes

ALL INSTALLATIONS					
Record the following:	At max. rate:	CO	ppm	AND	CO/CO ₂ Ratio
	At min. rate: (where possible)	CO	ppm	AND	CO/CO ₂ Ratio
The heating and hot water system complies with the appropriate Building Regulations	Yes				
The boiler and associated products have been installed and commissioned in accordance with the manufacturer's instructions	Yes				
The operation of the boiler and system controls have been demonstrated to and understood by the customer	Yes				
The manufacturer's literature, including Benchmark Checklist and Service Record, has been explained and left with the customer	Yes				

Commissioning Engineer's Signature
Customer's Signature
(To confirm satisfactory demonstration and receipt of manufacturer's literature)

*All installations in England and Wales must be notified to Local Authority Building Control (LABC) either directly or through a Competent Persons Scheme. A Building Regulations Compliance Certificate will then be issued to the customer.



Appendix

SERVICE RECORD

It is recommended that your heating system is serviced regularly and that the appropriate Service Interval Record is completed.

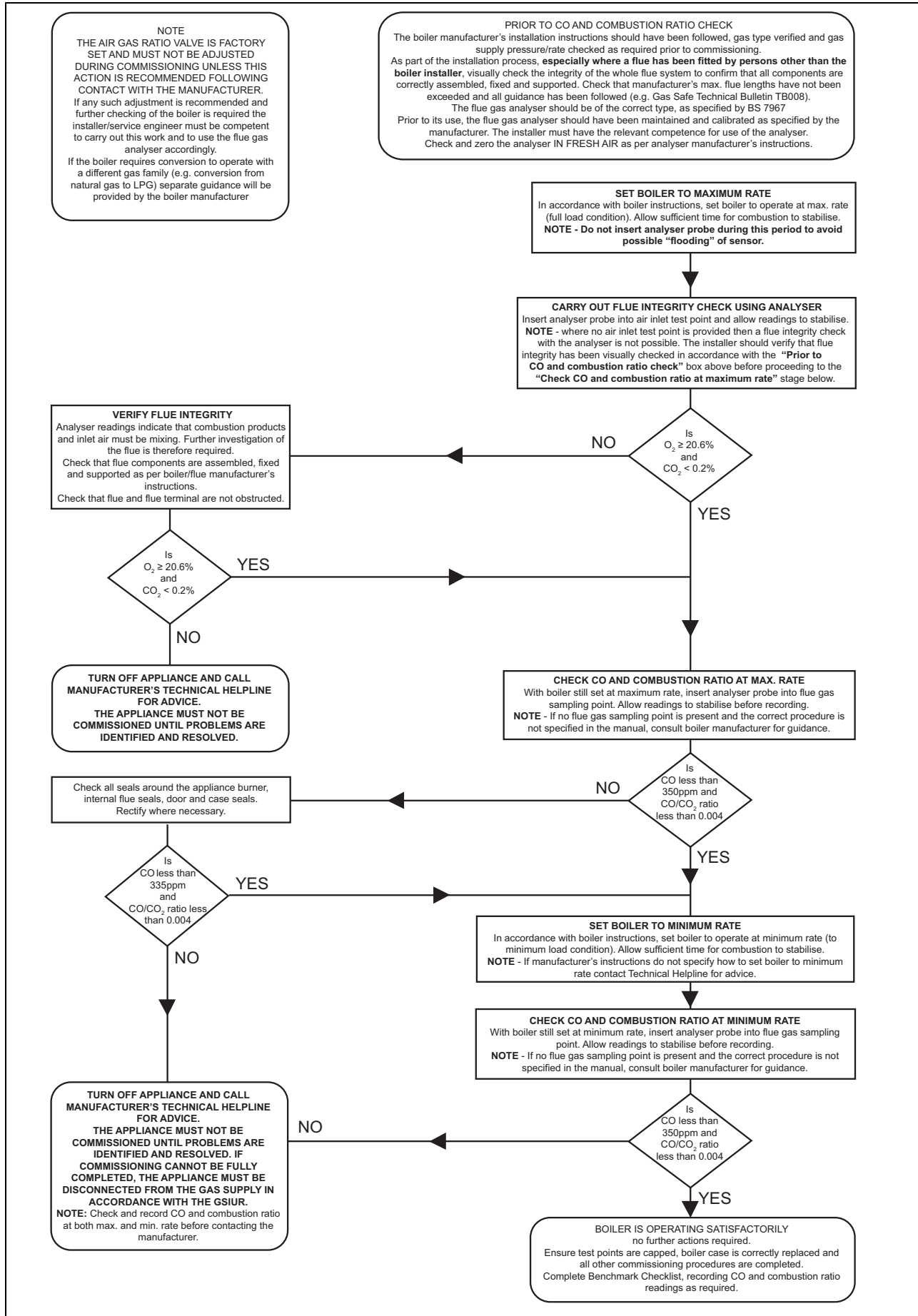
Service Provider

Before completing the appropriate Service Record below, please ensure you have carried out the service as described in the manufacturer's instructions. Always use the manufacturer's specified spare part when replacing controls.

<table border="1" style="width: 100%; border-collapse: collapse;"> <tr> <td colspan="2">SERVICE 01</td> <td colspan="2">Date:</td> </tr> <tr> <td colspan="4">Engineer name:</td> </tr> <tr> <td colspan="4">Company name:</td> </tr> <tr> <td colspan="4">Telephone No:</td> </tr> <tr> <td colspan="4">Gas safe register No:</td> </tr> <tr> <td>Record:</td> <td>At max. rate:</td> <td>CO ppm</td> <td>AND CO₂ %</td> </tr> <tr> <td></td> <td>At min. rate: (Where Possible)</td> <td>CO ppm</td> <td>AND CO₂ %</td> </tr> <tr> <td colspan="4">Comments:</td> </tr> <tr> <td colspan="4">Signature</td> </tr> </table>	SERVICE 01		Date:		Engineer name:				Company name:				Telephone No:				Gas safe register No:				Record:	At max. rate:	CO ppm	AND CO ₂ %		At min. rate: (Where Possible)	CO ppm	AND CO ₂ %	Comments:				Signature				<table border="1" style="width: 100%; border-collapse: collapse;"> <tr> <td colspan="2">SERVICE 02</td> <td colspan="2">Date:</td> </tr> <tr> <td colspan="4">Engineer name:</td> </tr> <tr> <td colspan="4">Company name:</td> </tr> <tr> <td colspan="4">Telephone No:</td> </tr> <tr> <td colspan="4">Gas safe register No:</td> </tr> <tr> <td>Record:</td> <td>At max. rate:</td> <td>CO ppm</td> <td>AND CO₂ %</td> </tr> <tr> <td></td> <td>At min. rate: (Where Possible)</td> <td>CO ppm</td> <td>AND CO₂ %</td> </tr> <tr> <td colspan="4">Comments:</td> </tr> <tr> <td colspan="4">Signature</td> </tr> </table>	SERVICE 02		Date:		Engineer name:				Company name:				Telephone No:				Gas safe register No:				Record:	At max. rate:	CO ppm	AND CO ₂ %		At min. rate: (Where Possible)	CO ppm	AND CO ₂ %	Comments:				Signature			
SERVICE 01		Date:																																																																							
Engineer name:																																																																									
Company name:																																																																									
Telephone No:																																																																									
Gas safe register No:																																																																									
Record:	At max. rate:	CO ppm	AND CO ₂ %																																																																						
	At min. rate: (Where Possible)	CO ppm	AND CO ₂ %																																																																						
Comments:																																																																									
Signature																																																																									
SERVICE 02		Date:																																																																							
Engineer name:																																																																									
Company name:																																																																									
Telephone No:																																																																									
Gas safe register No:																																																																									
Record:	At max. rate:	CO ppm	AND CO ₂ %																																																																						
	At min. rate: (Where Possible)	CO ppm	AND CO ₂ %																																																																						
Comments:																																																																									
Signature																																																																									
<table border="1" style="width: 100%; border-collapse: collapse;"> <tr> <td colspan="2">SERVICE 03</td> <td colspan="2">Date:</td> </tr> <tr> <td colspan="4">Engineer name:</td> </tr> <tr> <td colspan="4">Company name:</td> </tr> <tr> <td colspan="4">Telephone No:</td> </tr> <tr> <td colspan="4">Gas safe register No:</td> </tr> <tr> <td>Record:</td> <td>At max. rate:</td> <td>CO ppm</td> <td>AND CO₂ %</td> </tr> <tr> <td></td> <td>At min. rate: (Where Possible)</td> <td>CO ppm</td> <td>AND CO₂ %</td> </tr> <tr> <td colspan="4">Comments:</td> </tr> <tr> <td colspan="4">Signature</td> </tr> </table>	SERVICE 03		Date:		Engineer name:				Company name:				Telephone No:				Gas safe register No:				Record:	At max. rate:	CO ppm	AND CO ₂ %		At min. rate: (Where Possible)	CO ppm	AND CO ₂ %	Comments:				Signature				<table border="1" style="width: 100%; border-collapse: collapse;"> <tr> <td colspan="2">SERVICE 04</td> <td colspan="2">Date:</td> </tr> <tr> <td colspan="4">Engineer name:</td> </tr> <tr> <td colspan="4">Company name:</td> </tr> <tr> <td colspan="4">Telephone No:</td> </tr> <tr> <td colspan="4">Gas safe register No:</td> </tr> <tr> <td>Record:</td> <td>At max. rate:</td> <td>CO ppm</td> <td>AND CO₂ %</td> </tr> <tr> <td></td> <td>At min. rate: (Where Possible)</td> <td>CO ppm</td> <td>AND CO₂ %</td> </tr> <tr> <td colspan="4">Comments:</td> </tr> <tr> <td colspan="4">Signature</td> </tr> </table>	SERVICE 04		Date:		Engineer name:				Company name:				Telephone No:				Gas safe register No:				Record:	At max. rate:	CO ppm	AND CO ₂ %		At min. rate: (Where Possible)	CO ppm	AND CO ₂ %	Comments:				Signature			
SERVICE 03		Date:																																																																							
Engineer name:																																																																									
Company name:																																																																									
Telephone No:																																																																									
Gas safe register No:																																																																									
Record:	At max. rate:	CO ppm	AND CO ₂ %																																																																						
	At min. rate: (Where Possible)	CO ppm	AND CO ₂ %																																																																						
Comments:																																																																									
Signature																																																																									
SERVICE 04		Date:																																																																							
Engineer name:																																																																									
Company name:																																																																									
Telephone No:																																																																									
Gas safe register No:																																																																									
Record:	At max. rate:	CO ppm	AND CO ₂ %																																																																						
	At min. rate: (Where Possible)	CO ppm	AND CO ₂ %																																																																						
Comments:																																																																									
Signature																																																																									
<table border="1" style="width: 100%; border-collapse: collapse;"> <tr> <td colspan="2">SERVICE 05</td> <td colspan="2">Date:</td> </tr> <tr> <td colspan="4">Engineer name:</td> </tr> <tr> <td colspan="4">Company name:</td> </tr> <tr> <td colspan="4">Telephone No:</td> </tr> <tr> <td colspan="4">Gas safe register No:</td> </tr> <tr> <td>Record:</td> <td>At max. rate:</td> <td>CO ppm</td> <td>AND CO₂ %</td> </tr> <tr> <td></td> <td>At min. rate: (Where Possible)</td> <td>CO ppm</td> <td>AND CO₂ %</td> </tr> <tr> <td colspan="4">Comments:</td> </tr> <tr> <td colspan="4">Signature</td> </tr> </table>	SERVICE 05		Date:		Engineer name:				Company name:				Telephone No:				Gas safe register No:				Record:	At max. rate:	CO ppm	AND CO ₂ %		At min. rate: (Where Possible)	CO ppm	AND CO ₂ %	Comments:				Signature				<table border="1" style="width: 100%; border-collapse: collapse;"> <tr> <td colspan="2">SERVICE 06</td> <td colspan="2">Date:</td> </tr> <tr> <td colspan="4">Engineer name:</td> </tr> <tr> <td colspan="4">Company name:</td> </tr> <tr> <td colspan="4">Telephone No:</td> </tr> <tr> <td colspan="4">Gas safe register No:</td> </tr> <tr> <td>Record:</td> <td>At max. rate:</td> <td>CO ppm</td> <td>AND CO₂ %</td> </tr> <tr> <td></td> <td>At min. rate: (Where Possible)</td> <td>CO ppm</td> <td>AND CO₂ %</td> </tr> <tr> <td colspan="4">Comments:</td> </tr> <tr> <td colspan="4">Signature</td> </tr> </table>	SERVICE 06		Date:		Engineer name:				Company name:				Telephone No:				Gas safe register No:				Record:	At max. rate:	CO ppm	AND CO ₂ %		At min. rate: (Where Possible)	CO ppm	AND CO ₂ %	Comments:				Signature			
SERVICE 05		Date:																																																																							
Engineer name:																																																																									
Company name:																																																																									
Telephone No:																																																																									
Gas safe register No:																																																																									
Record:	At max. rate:	CO ppm	AND CO ₂ %																																																																						
	At min. rate: (Where Possible)	CO ppm	AND CO ₂ %																																																																						
Comments:																																																																									
Signature																																																																									
SERVICE 06		Date:																																																																							
Engineer name:																																																																									
Company name:																																																																									
Telephone No:																																																																									
Gas safe register No:																																																																									
Record:	At max. rate:	CO ppm	AND CO ₂ %																																																																						
	At min. rate: (Where Possible)	CO ppm	AND CO ₂ %																																																																						
Comments:																																																																									
Signature																																																																									
<table border="1" style="width: 100%; border-collapse: collapse;"> <tr> <td colspan="2">SERVICE 07</td> <td colspan="2">Date:</td> </tr> <tr> <td colspan="4">Engineer name:</td> </tr> <tr> <td colspan="4">Company name:</td> </tr> <tr> <td colspan="4">Telephone No:</td> </tr> <tr> <td colspan="4">Gas safe register No:</td> </tr> <tr> <td>Record:</td> <td>At max. rate:</td> <td>CO ppm</td> <td>AND CO₂ %</td> </tr> <tr> <td></td> <td>At min. rate: (Where Possible)</td> <td>CO ppm</td> <td>AND CO₂ %</td> </tr> <tr> <td colspan="4">Comments:</td> </tr> <tr> <td colspan="4">Signature</td> </tr> </table>	SERVICE 07		Date:		Engineer name:				Company name:				Telephone No:				Gas safe register No:				Record:	At max. rate:	CO ppm	AND CO ₂ %		At min. rate: (Where Possible)	CO ppm	AND CO ₂ %	Comments:				Signature				<table border="1" style="width: 100%; border-collapse: collapse;"> <tr> <td colspan="2">SERVICE 08</td> <td colspan="2">Date:</td> </tr> <tr> <td colspan="4">Engineer name:</td> </tr> <tr> <td colspan="4">Company name:</td> </tr> <tr> <td colspan="4">Telephone No:</td> </tr> <tr> <td colspan="4">Gas safe register No:</td> </tr> <tr> <td>Record:</td> <td>At max. rate:</td> <td>CO ppm</td> <td>AND CO₂ %</td> </tr> <tr> <td></td> <td>At min. rate: (Where Possible)</td> <td>CO ppm</td> <td>AND CO₂ %</td> </tr> <tr> <td colspan="4">Comments:</td> </tr> <tr> <td colspan="4">Signature</td> </tr> </table>	SERVICE 08		Date:		Engineer name:				Company name:				Telephone No:				Gas safe register No:				Record:	At max. rate:	CO ppm	AND CO ₂ %		At min. rate: (Where Possible)	CO ppm	AND CO ₂ %	Comments:				Signature			
SERVICE 07		Date:																																																																							
Engineer name:																																																																									
Company name:																																																																									
Telephone No:																																																																									
Gas safe register No:																																																																									
Record:	At max. rate:	CO ppm	AND CO ₂ %																																																																						
	At min. rate: (Where Possible)	CO ppm	AND CO ₂ %																																																																						
Comments:																																																																									
Signature																																																																									
SERVICE 08		Date:																																																																							
Engineer name:																																																																									
Company name:																																																																									
Telephone No:																																																																									
Gas safe register No:																																																																									
Record:	At max. rate:	CO ppm	AND CO ₂ %																																																																						
	At min. rate: (Where Possible)	CO ppm	AND CO ₂ %																																																																						
Comments:																																																																									
Signature																																																																									
<table border="1" style="width: 100%; border-collapse: collapse;"> <tr> <td colspan="2">SERVICE 09</td> <td colspan="2">Date:</td> </tr> <tr> <td colspan="4">Engineer name:</td> </tr> <tr> <td colspan="4">Company name:</td> </tr> <tr> <td colspan="4">Telephone No:</td> </tr> <tr> <td colspan="4">Gas safe register No:</td> </tr> <tr> <td>Record:</td> <td>At max. rate:</td> <td>CO ppm</td> <td>AND CO₂ %</td> </tr> <tr> <td></td> <td>At min. rate: (Where Possible)</td> <td>CO ppm</td> <td>AND CO₂ %</td> </tr> <tr> <td colspan="4">Comments:</td> </tr> <tr> <td colspan="4">Signature</td> </tr> </table>	SERVICE 09		Date:		Engineer name:				Company name:				Telephone No:				Gas safe register No:				Record:	At max. rate:	CO ppm	AND CO ₂ %		At min. rate: (Where Possible)	CO ppm	AND CO ₂ %	Comments:				Signature				<table border="1" style="width: 100%; border-collapse: collapse;"> <tr> <td colspan="2">SERVICE 10</td> <td colspan="2">Date:</td> </tr> <tr> <td colspan="4">Engineer name:</td> </tr> <tr> <td colspan="4">Company name:</td> </tr> <tr> <td colspan="4">Telephone No:</td> </tr> <tr> <td colspan="4">Gas safe register No:</td> </tr> <tr> <td>Record:</td> <td>At max. rate:</td> <td>CO ppm</td> <td>AND CO₂ %</td> </tr> <tr> <td></td> <td>At min. rate: (Where Possible)</td> <td>CO ppm</td> <td>AND CO₂ %</td> </tr> <tr> <td colspan="4">Comments:</td> </tr> <tr> <td colspan="4">Signature</td> </tr> </table>	SERVICE 10		Date:		Engineer name:				Company name:				Telephone No:				Gas safe register No:				Record:	At max. rate:	CO ppm	AND CO ₂ %		At min. rate: (Where Possible)	CO ppm	AND CO ₂ %	Comments:				Signature			
SERVICE 09		Date:																																																																							
Engineer name:																																																																									
Company name:																																																																									
Telephone No:																																																																									
Gas safe register No:																																																																									
Record:	At max. rate:	CO ppm	AND CO ₂ %																																																																						
	At min. rate: (Where Possible)	CO ppm	AND CO ₂ %																																																																						
Comments:																																																																									
Signature																																																																									
SERVICE 10		Date:																																																																							
Engineer name:																																																																									
Company name:																																																																									
Telephone No:																																																																									
Gas safe register No:																																																																									
Record:	At max. rate:	CO ppm	AND CO ₂ %																																																																						
	At min. rate: (Where Possible)	CO ppm	AND CO ₂ %																																																																						
Comments:																																																																									
Signature																																																																									

*All installations in England and Wales must be notified to Local Authority Building Control (LABC) either directly or through a Competent Persons Scheme. A Building Regulations Compliance Certificate will then be issued to the customer.





Appendix

J Pipe lengths for the air/flue pipe

J.1 Length L of the C13 type air/flue pipe

Applicability: C13 type air/flue pipe

	Diameter of the air/flue pipe	
	Dia. 60/100 (L)	Dia. 80/125 (L)
	C13 type air/flue pipe	C13 type air/flue pipe
ENERGY 12r -A (H-GB)	≤ 10 m	≤ 25 m
ENERGY 15r -A (H-GB)	≤ 10 m	≤ 25 m
ENERGY 18r -A (H-GB)	≤ 10 m	≤ 25 m
ENERGY 25r -A (H-GB)	≤ 10 m	≤ 25 m
ENERGY 30r -A (H-GB)	≤ 10 m	≤ 19 m

J.2 Length L of the C33 type air/flue pipe

Applicability: C33 type air/flue pipe

	Diameter of the air/flue pipe	
	Dia. 60/100 (L)	Dia. 80/125 (L)
	C33 type air/flue pipe	C33 type air/flue pipe
ENERGY 12r -A (H-GB)	≤ 10 m	≤ 25 m
ENERGY 15r -A (H-GB)	≤ 10 m	≤ 25 m
ENERGY 18r -A (H-GB)	≤ 10 m	≤ 25 m
ENERGY 25r -A (H-GB)	≤ 10 m	≤ 25 m
ENERGY 30r -A (H-GB)	≤ 10 m	≤ 19 m

J.3 Length L of the C43 type air/flue pipe

Applicability: C43 type air/flue pipe

	Diameter of the air/flue pipe	
	Dia. 60/100 (L)	Dia. 80/125 (L)
	C43 type air/flue pipe	C43 type air/flue pipe
ENERGY 12r -A (H-GB)	≤ 10 m	≤ 10 m
ENERGY 15r -A (H-GB)	≤ 10 m	≤ 10 m
ENERGY 18r -A (H-GB)	≤ 10 m	≤ 10 m
ENERGY 25r -A (H-GB)	≤ 10 m	≤ 10 m
ENERGY 30r -A (H-GB)	≤ 10 m	≤ 10 m

K Technical data

Technical data – Heating

	ENERGY 12r -A (H-GB)	ENERGY 15r -A (H-GB)	ENERGY 18r -A (H-GB)
Max. flow temperature adjustment range (default setting: 75 °C)	10 ... 80 °C	10 ... 80 °C	10 ... 80 °C
Maximum permissible pressure	0.3 MPa (3.0 bar)	0.3 MPa (3.0 bar)	0.3 MPa (3.0 bar)
Nominal water flow ($\Delta T = 20$ K)	530 l/h	655 l/h	788 l/h
Nominal water flow at Pmin ($\Delta T = 20$ K)	195 l/h	195 l/h	215 l/h
Nominal water flow ($\Delta T = 30$ K)	353 l/h	436 l/h	525 l/h
Nominal water flow at Pmin ($\Delta T = 30$ K)	130 l/h	130 l/h	145 l/h
Approximate value for the condensate volume (pH value between 3.5 and 4.0) at 50/30 °C	1.23 l/h	1.53 l/h	1.84 l/h

	ENERGY 25r -A (H-GB)	ENERGY 30r -A (H-GB)
Max. flow temperature adjustment range (default setting: 75 °C)	10 ... 80 °C	10 ... 80 °C
Maximum permissible pressure	0.3 MPa (3.0 bar)	0.3 MPa (3.0 bar)
Nominal water flow ($\Delta T = 20$ K)	1,094 l/h	1,313 l/h
Nominal water flow at Pmin ($\Delta T = 20$ K)	260 l/h	300 l/h
Nominal water flow ($\Delta T = 30$ K)	729 l/h	876 l/h
Nominal water flow at Pmin ($\Delta T = 30$ K)	170 l/h	200 l/h
Approximate value for the condensate volume (pH value between 3.5 and 4.0) at 50/30 °C	2.55 l/h	3.06 l/h

Technical data – G20 power/loading G20

	ENERGY 12r -A (H-GB)	ENERGY 15r -A (H-GB)	ENERGY 18r -A (H-GB)	ENERGY 25r -A (H-GB)
Maximum heat output	12 kW	15 kW	18 kW	25 kW
Effective output range (P) at 40/30 °C	4.8 ... 13.0 kW	4.8 ... 16.2 kW	5.3 ... 19.5 kW	6.5 ... 27.0 kW
Effective output range (P) at 50/30 °C	4.7 ... 12.8 kW	4.7 ... 15.9 kW	5.2 ... 19.1 kW	6.4 ... 26.5 kW
Effective output range (P) at 80/60 °C	4.5 ... 12.3 kW	4.5 ... 15.2 kW	5.0 ... 18.3 kW	6.1 ... 25.4 kW
Domestic hot water heat output (P)	4.4 ... 15.0 kW	4.4 ... 18.0 kW	4.9 ... 25.2 kW	6.0 ... 30.0 kW
Maximum heat input – heating (Q max.)	12.3 kW	15.3 kW	18.4 kW	25.5 kW
Minimum heat input – heating (Q min.)	4.5 kW	4.5 kW	5.0 kW	6.1 kW
Maximum heat input – hot water (Q max.)	15.3 kW	18.4 kW	25.7 kW	30.6 kW
Minimum heat input – hot water (Q min.)	4.5 kW	4.5 kW	5.0 kW	6.1 kW

	ENERGY 30r -A (H-GB)
Maximum heat output	30 kW
Effective output range (P) at 40/30 °C	7.6 ... 32.4 kW
Effective output range (P) at 50/30 °C	7.4 ... 31.8 kW

Appendix

	ENERGY 30r -A (H-GB)
Effective output range (P) at 80/60 °C	7.1 ... 30.5 kW
Domestic hot water heat output (P)	7.0 ... 35.0 kW
Maximum heat input – heating (Q max.)	30.6 kW
Minimum heat input – heating (Q min.)	7.1 kW
Maximum heat input – hot water (Q max.)	35.7 kW
Minimum heat input – hot water (Q min.)	7.1 kW

Technical data – General

	ENERGY 12r -A (H-GB)	ENERGY 15r -A (H-GB)	ENERGY 18r -A (H-GB)	ENERGY 25r -A (H-GB)
Gas category	I _{2H}	I _{2H}	I _{2H}	I _{2H}
Diameter of the gas pipe	1/2 inch	1/2 inch	1/2 inch	1/2 inch
Diameter of the heating connections	3/4 inch	3/4 inch	3/4 inch	3/4 inch
Expansion relief valve connector (min.)	15 mm	15 mm	15 mm	15 mm
Condensate drain pipework (min.)	21.5 mm	21.5 mm	21.5 mm	21.5 mm
G20 gas supply pressure	2.0 kPa (20.0 mbar)	2.0 kPa (20.0 mbar)	2.0 kPa (20.0 mbar)	2.0 kPa (20.0 mbar)
Gas flow at P max. – hot water (G20)	1.6 m ³ /h	1.9 m ³ /h	2.7 m ³ /h	3.2 m ³ /h
Gas flow at P max. – heating mode (G20)	1.3 m ³ /h	1.6 m ³ /h	1.9 m ³ /h	2.7 m ³ /h
Gas flow at P min. (G20)	0.480 m ³ /h	0.480 m ³ /h	0.533 m ³ /h	0.648 m ³ /h
CE number (PIN)	CE-0063CP3646	CE-0063CP3646	CE-0063CP3646	CE-0063CP3646
Flue gas mass rate in heating mode at P min.	2.08 g/s	2.08 g/s	2.31 g/s	2.81 g/s
Flue gas mass rate in heating mode at P max.	5.5 g/s	6.9 g/s	8.3 g/s	11.5 g/s
Flue gas mass rate in hot water handling mode at P max.	6.9 g/s	8.3 g/s	11.6 g/s	13.8 g/s
Flue gas temperature (80 °C/60 °C) at P max.	55 °C	55 °C	60 °C	77 °C
Flue gas temperature (80 °C/60 °C) at P min.	55 °C	55 °C	55 °C	55 °C
Flue gas temperature (50 °C/30 °C) at P max.	43 °C	48 °C	51 °C	62 °C
Flue gas temperature (50 °C/30 °C) at P min.	32 °C	32 °C	34 °C	35 °C
Flue gas temperature in hot water handling mode	71 °C	71 °C	69 °C	68 °C
Flue gas temperature when overheating	105 °C	105 °C	105 °C	95 °C
Nominal efficiency at 50/30 °C	104.0 %	104.0 %	104.0 %	104.0 %
Nominal efficiency at 40/30 °C	106.0 %	106.0 %	106.0 %	106.0 %
NOx class	5	5	5	5
Product dimensions, width	375 mm	375 mm	375 mm	375 mm
Product dimensions, height	602 mm	602 mm	602 mm	602 mm
Net weight	22 kg	22 kg	22 kg	22 kg
Weight when filled with water	26 kg	26 kg	26 kg	26 kg

	ENERGY 30r -A (H-GB)
Gas category	I _{2H}
Diameter of the gas pipe	1/2 inch
Diameter of the heating connections	3/4 inch
Expansion relief valve connector (min.)	15 mm
Condensate drain pipework (min.)	21.5 mm
G20 gas supply pressure	2.0 kPa (20.0 mbar)
Gas flow at P max. – hot water (G20)	3.8 m ³ /h
Gas flow at P max. – heating mode (G20)	3.2 m ³ /h
Gas flow at P min. (G20)	0.756 m ³ /h
CE number (PIN)	CE-0063CP3646
Flue gas mass rate in heating mode at P min.	3.27 g/s
Flue gas mass rate in heating mode at P max.	13.8 g/s
Flue gas mass rate in hot water handling mode at P max.	16.1 g/s
Flue gas temperature (80 °C/60 °C) at P max.	86 °C
Flue gas temperature (80 °C/60 °C) at P min.	56 °C
Flue gas temperature (50 °C/30 °C) at P max.	60 °C
Flue gas temperature (50 °C/30 °C) at P min.	37 °C
Flue gas temperature in hot water handling mode	75 °C
Flue gas temperature when overheating	104 °C
Nominal efficiency at 50/30 °C	104.0 %
Nominal efficiency at 40/30 °C	106.0 %
NOx class	5
Product dimensions, width	375 mm
Product dimensions, height	602 mm
Net weight	22 kg
Weight when filled with water	27 kg

Technical data – Electrics

	ENERGY 12r -A (H-GB)	ENERGY 15r -A (H-GB)	ENERGY 18r -A (H-GB)
Electric connection	230 V / 50 Hz	230 V / 50 Hz	230 V / 50 Hz
Built-in fuse (slow-blow)	T2/2A, 250V	T2/2A, 250V	T2/2A, 250V
Max. electrical power consumption	65 W	65 W	66 W
Standby electrical power consumption	2 W	2 W	2 W
Level of protection	IPX4D	IPX4D	IPX4D

	ENERGY 25r -A (H-GB)	ENERGY 30r -A (H-GB)
Electric connection	230 V / 50 Hz	230 V / 50 Hz
Built-in fuse (slow-blow)	T2/2A, 250V	T2/2A, 250V
Max. electrical power consumption	75 W	60 W

Appendix

	ENERGY 25r -A (H-GB)	ENERGY 30r -A (H-GB)
Standby electrical power consumption	2 W	2 W
Level of protection	IPX4D	IPX4D

Index**A**

Air/flue pipe, installed 4

B

Burner anti-cycling time 19

C

Calling up the fault memory 23

CE label 7

Check programmes 16, 25

Checking the burner 22

Cleaning the condensate siphon 22

Cleaning the heat exchanger 22

CO₂ content

Checking 19–20

Competent person 3

Completing inspection work 23

Completing maintenance work 23

Condensate discharge pipe 12

Controller 14

Corrosion 4

D

Decommissioning 24

Decommissioning the product 24

Diagnostics codes 15

Documents 6

Draining the product 22

E

Electricity 4

F

Fault codes 23

Filling the condensate trap 17

Filling the heating installation 18

Flue gas route 4

Front casing, closed 4

Frost 4

G

Gas family check 16

Gas flow rate 18

H

Handing over to the end user 20

I

Identification plate 7

If you smell flue gas 4

If you smell gas 3

Inspection work 20, 25

Installation site 4

Installing the front casing 9

Installing the side section 9

Intended use 3

L

Leak-tightness 19, 23–24

M

Mains connection 14

Maintenance work 20, 25

Minimum clearance 8

P

Power supply 14

Preparing the repair work 23

Preparing, repair work 23

Q

Qualification 3

R

Regulations 5

Removing the air intake pipe 21

Removing the burner 21

Removing the flue pipe 21

Removing the gas-air mixture unit 21

Removing the side section 9

Replacing the burner 23

Replacing the heat exchanger 23

Replacing the main PCB 24

Resetting the burner anti-cycling time 20

S

Safety device 4

Schematic drawing 4

Setting the burner anti-cycling time 19

Spare parts 20

Switching on the product 18

T

Tool 5

Transport 3

Transporting 7

Treating the heating water 16

U

Unloading the box 7

Unpacking the product 7

User interface, replacing the PCB 24

V

Voltage 4

W

Wall-mounting the product 8

Weight 8

Manufacturer/Supplier

Vaillant Group UK LTD

Nottingham Road – Belper – Derbyshire DE56 1JQ

Telephone 01773 824639 – Technical helpline 0330 100 7679

After sales service 0330 100 3142

www.glow-worm.co.uk



0020177748_03

0020177748_03 – 16.11.2017

© These instructions, or parts thereof, are protected by copyright and may be reproduced or distributed only with the manufacturer's written consent.

We reserve the right to make technical changes.