

Home

The new boiler range for new build developers



Glow-worm

Nottingham Road
Belper
Derbyshire
DE56 1JT

Department	Telephone	Email
Head Office	01773 824 639	info@glow-worm.co.uk
Literature	01773 596 105	literature@glow-worm.co.uk
Service Department		
Boilers	0330 100 7678	customerservice@glow-worm.co.uk
Renewables/New Technology	0330 100 7681	renewableservice@glow-worm.co.uk
Installer Technical Support		
Boilers	0330 100 7679	technical@glow-worm.co.uk
Renewables/New Technology	0330 100 7677	renewableservice@glow-worm.co.uk
Training	01773 596 156	training@glow-worm.co.uk
Design Service		glowworm-design@glow-worm.co.uk



INVESTOR IN PEOPLE

The NEW **Home** range of boilers - with the highest **ever** SAP performance to help keep your build costs low!



Glow-worm is part of the Vaillant Group, a global leader in the development of high-efficiency heating, cooling and hot water products with solutions across 60 countries. In the UK Glow-worm is a trusted, reliable and high quality brand which is specified by many of the UK's leading house building developers.

In the pursuit of even higher levels of efficiency and performance, Glow-worm have developed a new range of ERP 'A' rated boilers specifically for the new build market. The new Glow-worm range, called Home, provides the highest ever SAP efficiency levels which significantly exceed building regulations and help keep build costs low.

Home has been designed to reduce complexity, make it easier to comply with SAP and ensure that you can hit your DER targets more cost effectively.

Being part of the largest heating manufacturer with over 30 million customers and sales of £1.8bn means that Glow-worm can offer customers unrivalled levels of service and support. This includes industry leading homeowner and installer support, an excellent design service, along with multi-million pound R&D programmes, to ensure that our products continue to be the best.

* Figures based on 3 bed detached house, 104m², 1 bath, 1 en-suite with a Home 30 combi installed



Highest SAP performance levels in the industry

Home combination boilers offer industry leading SAP performance, by delivering the highest levels of DHW efficiency. Home is the most efficient boiler for new build developments, achieving up to 4% improvement* on DER, which helps designers hit their SAP requirements.

Add Glow-worm controls to boost SAP efficiency even further

Home comes with a bright LCD on board display, is compatible with the full range of Glow-worm controls from a simple manual timer to an App based heating control and can also be installed with any third party controls that are currently specified. Choosing Glow-worm controls boosts SAP efficiency levels even further to reduce complexity and costs.

A wide range of options to suit any house type

Home has a wide range of outputs, covering combi, system and regular options to meet each and every house design and homeowner demand.

Expert service from initial specification to homeowner support

Glow-worm offer developers a complete support package starting with early specification consultancy, moving onto a comprehensive design service, technical support and training for your installers, marketing support for the show home sales team and then finally homeowner support with a comprehensive parts and labour warranty. With a UK call centre and over 230 service engineers Glow-worm can offer unrivalled service levels to ensure your Home is always performing.

Industry leading choice of warranties

For extra peace of mind Home comes with a 2 year warranty as standard, with options available for homeowners to purchase warranty extensions up to 5 years. Homeowners can also choose annual service packages which are carried out by our own fully trained service engineers.



Home - performance



Figures based on 3 bed detached house, 104m², 1 bath, 1 en-suite with a Home 30 combi installed

Don't take our word for it - ask your SAP assessor to enter these figures to check!

SAP assessors can use the SEDBUK Product Characteristics Database information within SAP calculation software to review the industry leading performance of the Home range against your chosen house types.

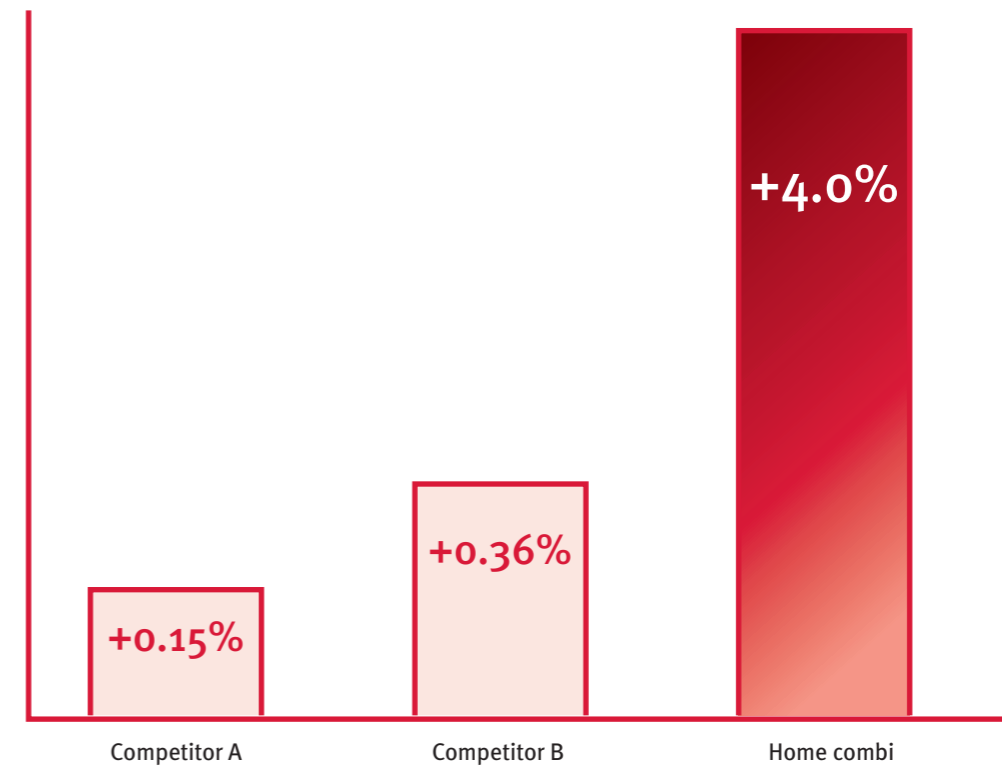
Boilers

Article number	Boiler model	PCDB number
0010016117	Home 25 combi	17729
0010016118	Home 30 combi	17730
0010016119	Home 35 combi	17731
0010016120	Home 12 system	17749
0010016121	Home 15 system	17750
0010016122	Home 18 system	17751
0010016123	Home 25 system	17752
0010015894	Home 12 regular	17765
0010015895	Home 15 regular	17766
0010015896	Home 18 regular	17767
0010015897	Home 25 regular	17768
0010015898	Home 30 regular	17769

Controls & Accessories

Article number	Article Description	PCDB number
0020223658	Climastat Combi Control Pack	200016
0020223659	Climapro ₁ Wired Combi Control Pack System/Regular for Control boiler	200017
0020223660	Climapro ₁ Wireless RF Combi Control Pack System/Regular Control boiler	200018
0020223661	Climapro ₂ Wireless RF Combi Control Pack System/Regular Control boiler	200019
0020152034	Optiflue PFGHRD	60029

Example percentage improvement on DER



Home combi can achieve up to 3.64% improvement on DER compared to the previous best in class combi competitor

Home	Outputs kW	SEDBUK 2009/2012 Annual Efficiency (%)	SEDBUK Winter Efficiency	SEDBUK Summer Efficiency	Comparative Hot Water Efficiency (%)	ERP Energy Rating	DHW Flow Rate (l/min)
Combi	25, 30, 35	89.3	90.2	87.3	25kW – 81.1 30kW – 76.7 35kW – 81.5	A/A	25kW – 10.4 30kW – 12.4 35kW – 14.5
System	12, 15, 18, 25	89.4	90.4	79.7	n/a	A	n/a
Regular	12, 15, 18, 25, 30	89.4 (30kW- 89.3)	90.4 (30kW- 90.3)	79.7 (30kW- 79.6)	n/a	A	n/a



Product Features & Benefits

- **Wide product range**
Caters for every heat output demand and system requirement
- **Low maintenance aluminium heat exchanger**
High performance boiler range designed to last longer and offer lower maintenance costs
- **High efficiency ErP modulating Grundfos pump**
More efficient running with reduced power consumption keeping homeowner bills down
- **ErP 'A' rated**
New high efficiency ErP 'A' rated boiler range, comes with online labelling tool for installers
- **Modern bright LCD display**
Excellent clarity of boiler display wherever it is installed, making it easy to change and confirm settings
- **Compatible with all Glow-worm controls**
Wide range of controls from simple analogue timer to Climapro₂ RF wireless thermostat programmer
- **Compatible with current Glow-worm flues**
Consistency with today's flue offering, making it easier for installers
- **Club Energy Alliance – online and App**
Online system reducing paperwork to register Home warranties, Gas Safe and Benchmark



Industry leading SAP efficiency



2 year warranty as standard
Option to increase to 5 years



ErP ready



Built in the UK



Ultra quiet operation

Home combi boiler

The Home combi boiler comes with a great range of outputs, attractive modern design, bright easy to use interface and a choice of homeowner controls. Home has the highest efficiency levels for the new build market which reduces the complexity of build and offers homeowners industry leading heating performance which will help keep energy bills low.

Home is a light and easy to install boiler suitable for all house types. Using a standard DIN pipe layout makes boiler installations quick and the patented 4 sided cooling reduces the stress on the aluminium heat exchanger which means longer term reliability and a lower cost of ownership. Home is supported by a choice of warranty for the new homeowner and Glow-worm's UK wide spare parts availability offers further peace of mind.

Home combi boilers	25kW	30kW	35kW
Casing dimensions (h w d)	740mm x 418mm x 300mm	740mm x 418mm x 300mm	740mm x 418mm x 300mm
SEDBUK 2009/2012 annual efficiency (%)	89.3	89.3	89.3
SEDBUK winter efficiency (%)	90.2	90.2	90.2
SEDBUK summer efficiency (%)	87.3	87.3	87.3
Comparative hot water efficiency (%)	81.1	78.7	81.5
DHW flow rate (l/min, 35C rise)	10.4 l/min	12.4 l/min	14.5 l/min
60/100 Flue length			
Horizontal	10m	10m	10m
Vertical	10m	10m	10m
Article number	0010016117	0010016118	0010016119

Accessories

Home has a great choice of intelligent controls and accessories to deliver the most efficient heating system for your homeowners. Adding our advanced controls to Home also further improves efficiency levels to help reduce complexity and build costs even further.



MiGo
WiFi connected single zone control



Climapro₂ RF
wireless programmable room thermostat



Climapro₁
programmable room thermostat

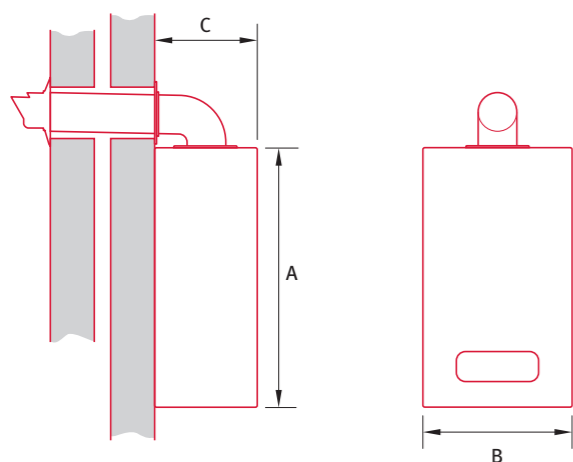
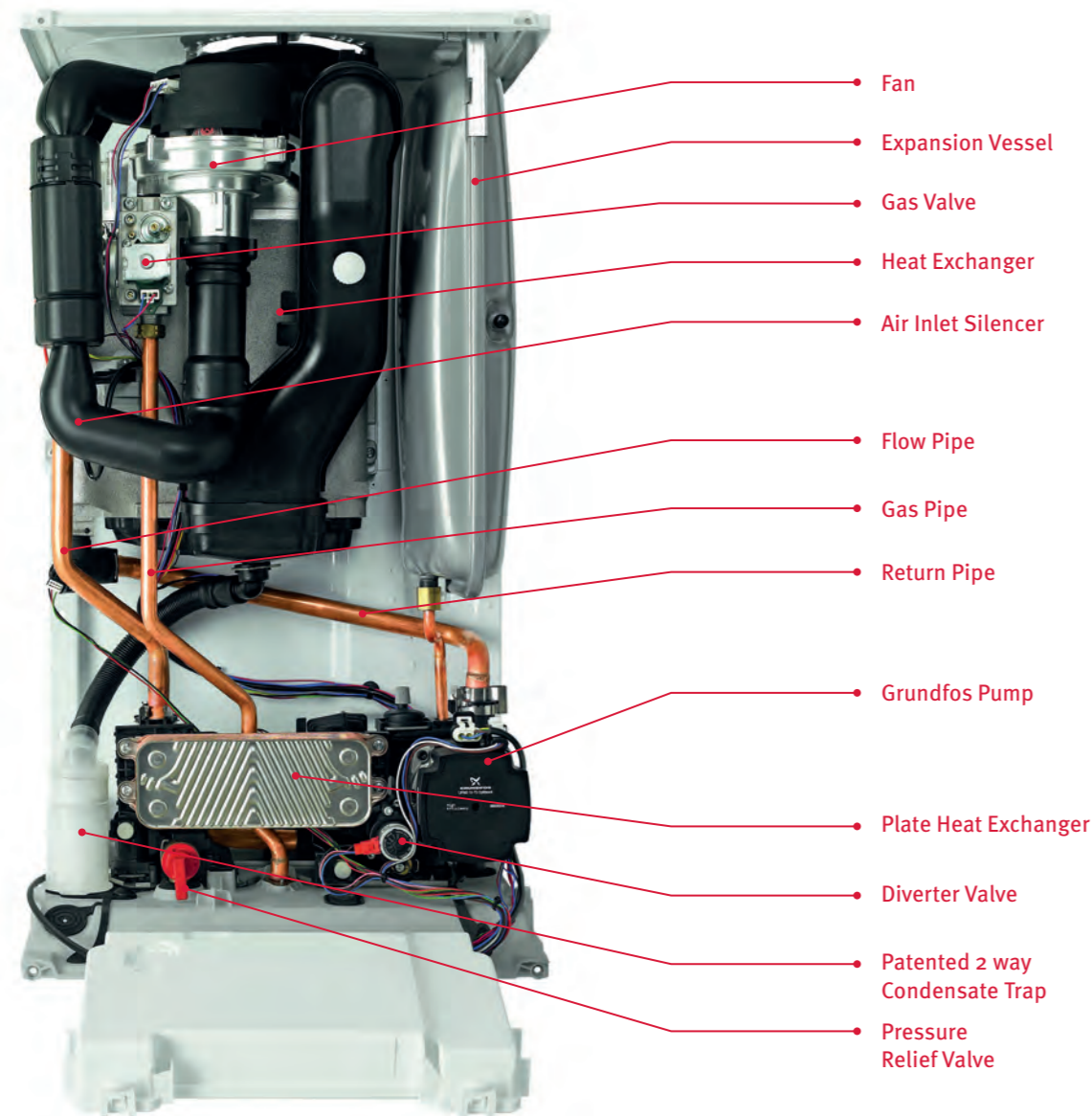


Climastat
Easy to use digital heating thermostat



Optiflue
Passive Flue Gas Heat Recovery Device

Technical specifications



Boiler dimensions

Height (A)	Width (B)	Depth (C)
740mm	418mm	300mm

Home combi boilers

Home combi boilers	25kW	30kW	35kW
Casing dimensions (h w d) (mm)	740 x 418 x 300	740 x 418 x 300	740 x 418 x 300
Weight (lift) (kg)	32	33	33
Performance			
CH output (kW) Min/Max	5.1/15.2	6.1/15.2	7.1/15.2
DHW output (kW)	25	30	35
DHW flow rate (l/min, 35°C rise)	10.4	12.4	14.5
DHW flow rate (l/min, 30°C rise)	12.1*	14.5*	16.9*
Minimum operating pressure (bar)	0.35	0.35	0.35
Min pressure for max flow	1.0	1.0	1.0
SEDBUK 2009/2012 annual efficiency (%)	89.3	89.3	89.3
SEDBUK winter efficiency (%)	90.2	90.2	90.2
SEDBUK summer efficiency (%)	87.3	87.3	87.3
Comparative hot water efficiency (%)	81.1	78.7	81.5
ErP rating heating	A	A	A
ErP rating DHW	A	A	A
NOx class 5 (natural gas)	Yes	Yes	Yes
Construction			
Heat exchanger material	Aluminium	Aluminium	Aluminium
Burner type	Downward firing	Downward firing	Downward firing
Fully modulating	Yes	Yes	Yes
DHW plate heat exchanger	Stainless	Stainless	Stainless
Integrated hydrobloc	Yes	Yes	Yes
Installation			
Suitable for sealed systems	Yes	Yes	Yes
Filling loop	No	No	No
Inbuilt system bypass	Yes	Yes	Yes
Inbuilt condensate trap/siphon	Yes	Yes	Yes
Inbuilt frost protection	Yes	Yes	Yes
Zero compartment ventilation	Yes	Yes	Yes
Pump	Grundfos	Grundfos	Grundfos
Clearances			
Top (mm)	150	150	150
Side (mm)	0/5**	0/5**	0/5**
Bottom (mm)	150	150	150
Front (mm)	600***	600***	600***
User Interface			
Diagnostics	Advanced/Intuitive	Advanced/Intuitive	Advanced/Intuitive
User adjustable CH temp control	Yes	Yes	Yes
User adjustable DHW temp control	Yes	Yes	Yes
Accessories			
Optional spacing frame	Yes	Yes	Yes
Plug in mechanical timer	Optional	Optional	Optional
Aesthetic pipe cover	Yes	Yes	Yes
Optiflue compatible (PFGHRD)	Yes	Yes	Yes
Flues			
Max horizontal 60/100	10m	10m	10m
Max vertical 60/100	10m	10m	10m
Max horizontal 80/125	25m	25m	25m
Max vertical 80/125	25m	25m	25m
Optional plume management kit 60/100	Yes	Yes	Yes

* 40°C NHBC standard based on 30°C rise with a 10°C cold water inlet

** See manual for clearance if side panels to be removed to assist future service and maintenance

*** 5mm if removable panel/door

▶ For access to Glow-worm's system design service or for more detailed technical information please call 0330 100 7679 or visit www.glow-worm.co.uk/home





Product Features & Benefits

- **Wide product range**
Caters for every heat output demand and system requirement
- **Low maintenance aluminium heat exchanger**
High performance boiler range designed to last longer and offer lower maintenance costs
- **High efficiency ErP modulating Grundfos pump**
More efficient running with reduced power consumption keeping homeowner bills down
- **ErP 'A' rated**
New high efficiency ErP 'A' rated boiler range, comes with online labelling tool for installers
- **Modern bright LCD display**
Excellent clarity of boiler display wherever it is installed, making it easy to change and confirm settings
- **Compatible with all Glow-worm controls**
Wide range of controls from simple analogue timer to Climapro₂ RF wireless thermostat programmer
- **Compatible with current Glow-worm flues**
Consistency with today's flue offering, making it easier for installers
- **Club Energy Alliance – online and App**
Online system reducing paperwork to register Home warranties, Gas Safe and Benchmark



Industry leading SAP efficiency



2 year warranty as standard
Option to increase to 5 years



ErP ready



Built in the UK



Ultra quiet operation

Home system boiler

The Home system boiler comes with a great range of outputs, attractive modern design, bright easy to use interface and a choice of homeowner controls. Home has the highest efficiency levels for the new build market which reduces the complexity of build and offers homeowners industry leading heating performance which will help keep energy bills low.

The Home sealed system boiler range is suitable for properties with high hot water demands and can be installed with Glow-worm's range of cylinders for hot water storage. Home is a light and easy to install boiler using a standard DIN pipe layout which offers simplicity to boiler installations. The patented 4 sided cooling reduces the stress on the aluminium heat exchanger which means longer term reliability and a lower cost of ownership. Home is supported by a choice of warranty for the new homeowner and Glow-worm's UK wide spare parts availability offers further peace of mind.

Home system boilers	12kW	15kW	18kW	25kW
Casing dimensions (h w d)	740mm x 418mm x 300mm	740mm x 418mm x 300mm	740mm x 418mm x 300mm	740mm x 418mm x 300mm
SEDBUK 2009/2012 annual efficiency (%)	89.4	89.4	89.4	89.4
SEDBUK winter efficiency (%)	90.4	90.4	90.4	90.4
SEDBUK summer efficiency (%)	79.7	79.7	79.7	79.7
60/100 Flue length				
Horizontal	10m	10m	10m	10m
Vertical	10m	10m	10m	10m
Article number	0010016120	0010016121	0010016122	0010016123

Accessories

Home has a great choice of intelligent controls and accessories to deliver the most efficient heating system for your homeowners. Adding our advanced controls to Home also further improves efficiency levels to help reduce complexity and build costs even further.



MiGo
WiFi connected single zone control



Climapro₂ RF
wireless programmable room thermostat



Climapro₁
programmable room thermostat

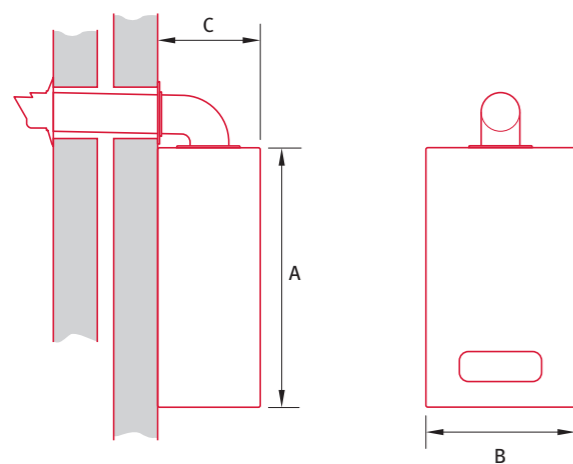
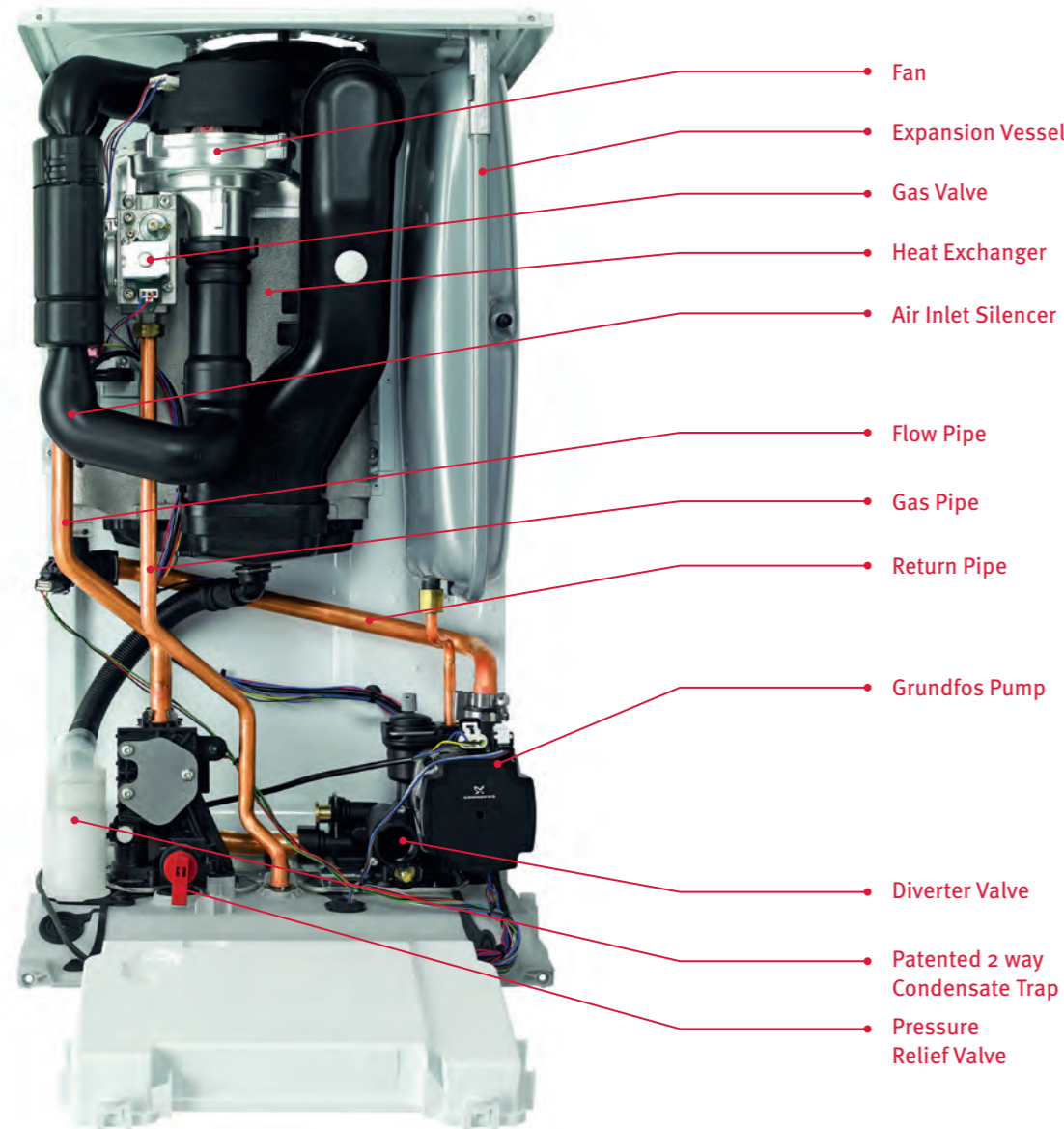


Climastat
Easy to use digital heating thermostat



Hydracyl
Full range of cylinders available

Technical specifications



Boiler dimensions

Height (A)	Width (B)	Depth (C)
740mm	418mm	300mm

Home system boilers

Home system boilers	12kW	15kW	18kW	25kW
Casing dimensions (h w d) (mm)	740 x 418 x 300	740 x 418 x 300	740 x 418 x 300	740 x 418 x 300
Weight (lift) (kg)	31	31	31	32
Performance				
CH output (kW) Min/Max	4.1/12.2	4.1/15.2	5.1/18.3	6.1/25.4
DHW output (kW)	12	15	18	25
Minimum operating pressure (bar)	0.35	0.35	0.35	0.35
Min pressure for max flow	1.0	1.0	1.0	1.0
SEDBUK 2009/2012 annual efficiency (%)	89.4	89.4	89.4	89.4
SEDBUK winter efficiency (%)	90.4	90.4	90.4	90.4
SEDBUK summer efficiency (%)	79.7	79.7	79.7	79.7
ErP Rating	A	A	A	A
NOx class 5 (natural gas)	Yes	Yes	Yes	Yes
Construction				
Heat exchanger material	Aluminium	Aluminium	Aluminium	Aluminium
Burner type	Downward firing	Downward firing	Downward firing	Downward firing
Fully modulating	Yes	Yes	Yes	Yes
DHW plate heat exchanger	Stainless	Stainless	Stainless	Stainless
Integrated hydrobloc	Yes	Yes	Yes	Yes
Installation				
Suitable for sealed systems	Yes	Yes	Yes	Yes
Inbuilt condensate trap/siphon	Yes	Yes	Yes	Yes
Inbuilt frost protection	Yes	Yes	Yes	Yes
Zero compartment ventilation	Yes	Yes	Yes	Yes
Pump	Grundfos	Grundfos	Grundfos	Grundfos
Clearances				
Top (mm)	150	150	150	150
Side (mm)	0/5*	0/5*	0/5*	0/5*
Bottom (mm)	150	150	150	150
Front (mm)	600**	600**	600**	600**
User Interface				
Diagnostics	Advanced/Intuitive	Advanced/Intuitive	Advanced/Intuitive	Advanced/Intuitive
User adjustable CH temp control	Yes	Yes	Yes	Yes
User adjustable DHW temp control	Yes	Yes	Yes	Yes
Warm Start	Yes	Yes	Yes	Yes
Accessories				
Optional spacing frame	Yes	Yes	Yes	Yes
Plug in mechanical timer	Optional	Optional	Optional	Optional
Aesthetic pipe cover	Yes	Yes	Yes	Yes
Flues				
Max horizontal 60/100	10m	10m	10m	10m
Max vertical 60/100	10m	10m	10m	10m
Max horizontal 80/125	25m	25m	25m	25m
Max Vertical 80/125	25m	25m	25m	25m
Optional plume management kit 60/100	Yes	Yes	Yes	Yes

* See manual for clearance if side panels to be removed to assist future service and maintenance
 ** 5mm if removable panel/door

▶ For access to Glow-worm's system design service or for more detailed technical information please call 0330 100 7679 or visit www.glow-worm.co.uk/home



Product Features & Benefits

- **Wide product range**
Caters for every heat output demand and system requirement
- **Low maintenance aluminium heat exchanger**
High performance boiler range designed to last longer and offer lower maintenance costs
- **ErP 'A' rated**
New high efficiency ErP 'A' rated boiler range, comes with online labelling tool for installers
- **Modern bright LCD display**
Excellent clarity of boiler display wherever it is installed, making it easy to change and confirm settings
- **Compatible with all Glow-worm controls**
Wide range of controls from simple analogue timer to Climapro₂ RF wireless thermostat programmer
- **Compatible with current Glow-worm flues**
Consistency with today's flue offering, making it easier for installers
- **Club Energy Alliance – online and App**
Online system reducing paperwork to register Home warranties, Gas Safe and Benchmark



Industry leading SAP efficiency



2 year warranty as standard
Option to increase to 5 years



ErP ready



Built in the UK



Ultra quiet operation

Home regular boiler

The Home regular boiler comes with a great range of outputs, attractive modern design, bright easy to use interface and a choice of homeowner controls. Home has the highest efficiency levels for the new build market which reduces the complexity of build and offers homeowners industry leading heating performance which will help keep energy bills low.

The Home regular open vent boiler range is suitable for properties with high hot water demands and can be installed with Glow-worm's range of cylinders for hot water storage. Home is a light and easy to install boiler which benefits from being compact in size, making it suitable for cupboard fit installations. The patented 4 sided cooling reduces the stress on the aluminium heat exchanger which means longer term reliability and a lower cost of ownership. Home is supported by a choice of warranty for the new homeowner and Glow-worm's UK wide spare parts availability offers further peace of mind.

Home regular boilers	12kW	15kW	18kW	25kW	30kW
Casing dimensions (h w d)	600mm x 375mm x 280mm	600mm x 375mm x 280mm	600mm x 375mm x 280mm	600mm x 375mm x 280mm	600mm x 375mm x 280mm
SEDBUK 2009/2012 annual efficiency (%)	89.4	89.4	89.4	89.4	89.3
SEDBUK winter efficiency (%)	90.4	90.4	90.4	90.4	90.3
SEDBUK summer efficiency (%)	79.7	79.7	79.7	79.7	79.6
60/100 Flue length					
Horizontal	10m	10m	10m	10m	10m
Vertical	10m	10m	10m	10m	10m
Article number	0010015894	0010015895	0010015896	0010015897	0010015898

Accessories

Home has a great choice of intelligent controls and accessories to deliver the most efficient heating system for your homeowners. Adding our advanced controls to Home also further improves efficiency levels to help reduce complexity and build costs even further.



MiGo
WiFi connected single zone control



Climapro₂ RF
wireless programmable room thermostat



Climapro₁
programmable room thermostat

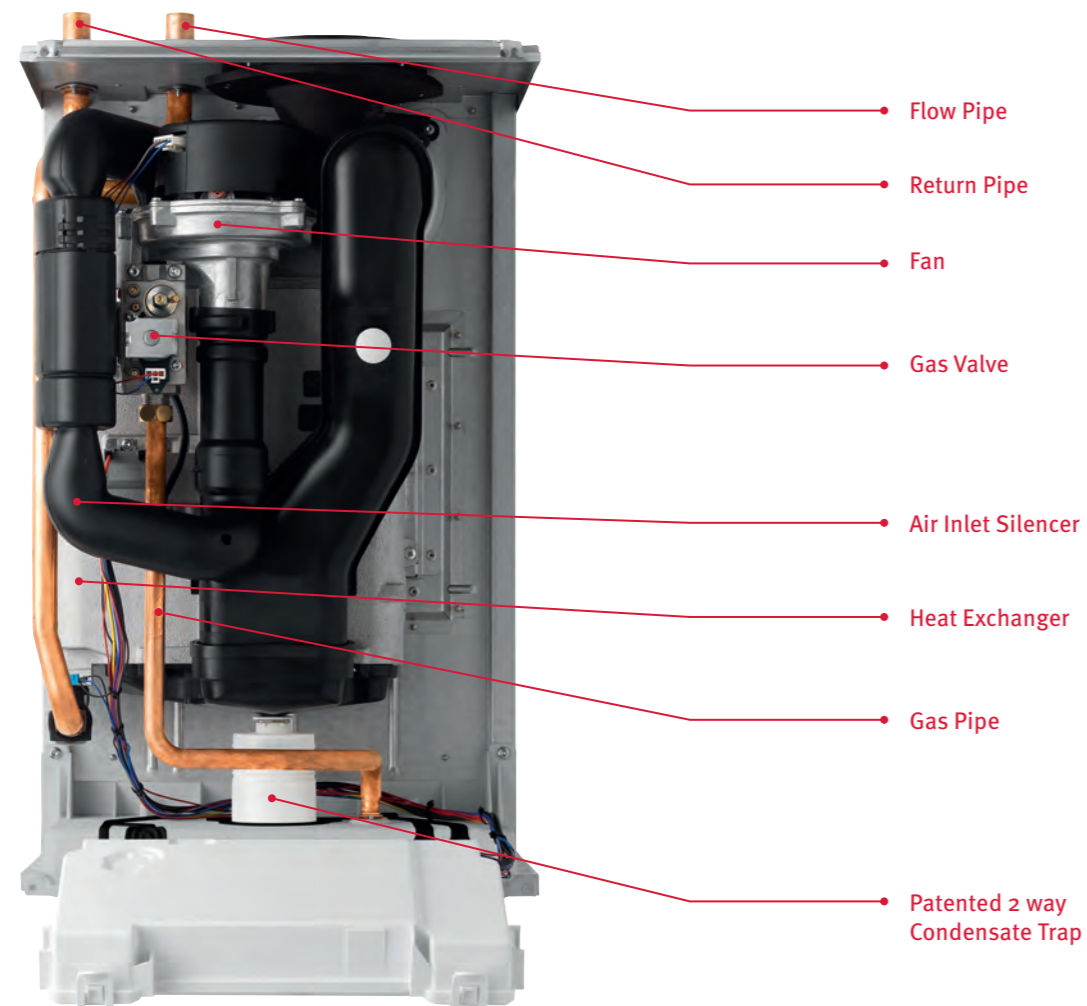


Climastat
Easy to use digital heating thermostat



Hydracyl
Full range of cylinders available

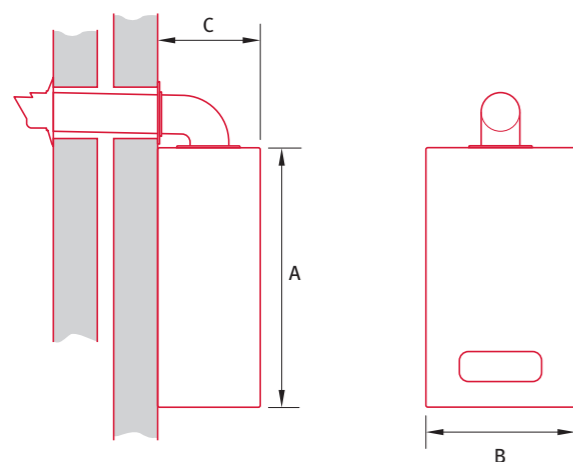
Technical specifications



Home regular boilers

Home regular boilers	12kW	15kW	18kW	25kW	30kW
Casing dimensions (h w d) (mm)	600 x 375 x 280	600 x 375 x 280	600 x 375 x 280	600 x 375 x 280	600 x 375 x 280
Weight (lift) (kg)	22	22	22	23	23
Performance					
CH output (kW) Min/Max	4.5/12.3	4.5/15.2	5.0/18.3	6.1/25.4	7.1/30.5
DHW output (kW)	12	15	18	25	30
Minimum operating pressure (bar)	0.35	0.35	0.35	0.35	0.35
SEDBUK 2009/2012 annual efficiency (%)	89.4	89.4	89.4	89.4	89.3
SEDBUK winter efficiency (%)	90.4	90.4	90.4	90.4	90.3
SEDBUK summer efficiency (%)	79.7	79.7	79.7	79.7	79.6
ErP Rating	A	A	A	A	A
NOx class 5 (natural gas)	Yes	Yes	Yes	Yes	Yes
Construction					
Heat exchanger material	Aluminium	Aluminium	Aluminium	Aluminium	Aluminium
Burner type	Downward firing	Downward firing	Downward firing	Downward firing	Downward firing
Fully modulating	Yes	Yes	Yes	Yes	Yes
Installation					
Suitable for sealed systems	Yes	Yes	Yes	Yes	Yes
Inbuilt condensate trap/siphon	Yes	Yes	Yes	Yes	Yes
Inbuilt frost protection	Yes	Yes	Yes	Yes	Yes
Zero compartment ventilation	Yes	Yes	Yes	Yes	Yes
Clearances					
Top (mm)	150	150	150	150	150
Side (mm)	0/5*	0/5*	0/5*	0/5*	0/5*
Bottom (mm)	150	150	150	150	150
Front (mm)	600**	600**	600**	600**	600**
User Interface					
Diagnostics	Advanced/Intuitive	Advanced/Intuitive	Advanced/Intuitive	Advanced/Intuitive	Advanced/Intuitive
User adjustable CH temp control	Yes	Yes	Yes	Yes	Yes
Flues					
Max horizontal 60/100	10m	10m	10m	10m	10m
Max vertical 60/100	10m	10m	10m	10m	10m
Max horizontal 80/125	25m	25m	25m	25m	25m
Max Vertical 80/125	25m	25m	25m	25m	25m
Optional plume management kit 60/100	Yes	Yes	Yes	Yes	Yes

* See manual for clearance if side panels to be removed to assist future service and maintenance
 ** 5mm if removable panel/door



Boiler dimensions

Height (A)	Width (B)	Depth (C)
600mm	375mm	280mm

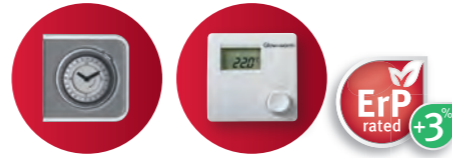
▶ For access to Glow-worm's system design service or for more detailed technical information please call 0330 100 7679 or visit www.glow-worm.co.uk/home

Choice of easy to use controls

All Glow-worm controls are exclusive to the Glow-worm boiler range. They are easy to install and are designed to provide your customer with the ultimate in efficiency, convenience and comfort.

Traditional Plug-in Timer & Thermostat Pack

- Timer plugs straight into the boiler fascia
- Wall mounted Climastat connects using simple low voltage eBus
- Traditional interface for customers to set heating programmes
- eBus connected Climastat means the boiler will modulate to manage heating in the most efficient way possible



Plug in Timer	✓
Room Thermostat	✓
Programmable Room Thermostat	
Wireless controls	
Enhanced Load Compensation	✓
Weather Compensation	
Achieves +3% on ErP Efficiency	✓

Climapro₁ Wired or Wireless Programmable Thermostat Pack

- Secure wall mounted thermostat is wired using simple low voltage eBus
- Clear straightforward menus to set heating & hot water programmes
- Annual service reminder and auto daylight saving time
- eBus connected Climapro₁ means the boiler will modulate to manage heating in the most efficient way possible
- Weather compensation using a simple wireless outdoor sensor



Plug in Timer	
Room Thermostat	
Programmable Room Thermostat	✓
Wireless controls	
Enhanced Load Compensation	✓
Weather Compensation*	✓
Achieves +3% on ErP Efficiency**	✓

Climapro₂ RF Wireless Programmable Thermostat Pack

- Wireless thermostat, works anywhere in the home
- Wall bracket for base location and secure storage
- RF receiver slots into the boiler, simple wireless setup, no electrician required
- Clear straightforward menus to set heating & hot water programmes
- Annual service reminder and auto daylight saving time
- eBus connected Climapro₂ RF means the boiler will modulate to manage heating in the most efficient way possible
- Weather compensation using a simple wireless outdoor sensor



Plug in Timer	
Room Thermostat	
Programmable Room Thermostat	✓
Wireless controls	✓
Enhanced Load Compensation	✓
Weather Compensation*	✓
Achieves +3% on ErP Efficiency**	✓

MiGo App based Programmable Thermostat Pack

- Smart phone App for iPhone & Android devices to manage heating & hot water on the go
- In room thermostat can be wall mounted or a portable table top version
- eBus connected MiGo means the boiler will modulate to manage heating in the most efficient way possible
- User profiles, energy usage reports, error reports
- Weather compensation using internet data

Launched Oct 2015



Plug in Timer	
Room Thermostat	
Programmable Room Thermostat	✓
Wireless controls	✓
Smartphone App controls	✓
Enhanced Load Compensation	✓
Weather Compensation***	✓
Achieves +4% on ErP Efficiency	✓

*When an outdoor sensor is included
 **+4% uplift in ErP when an outdoor sensor is included
 ***Using internet data

clubenergy Alliance

Developed to make installation of Glow-worm products easier for the installer and their contractor HQ admin team, Club Energy Alliance is an online and App based solution which reduces paperwork.

Installers can simply scan the product barcode, register the install, Gas Safe and Benchmark all using the Plumbing Toolbox App. This data is then reviewed by the contractor HQ Admin team before submitting the installation data, the warranties and the contract support claim electronically to the Glow-worm team.



New build contractors will have their own online database of every new Home installation and all associated documentation which can be shared with developer for use in the welcome packs for new homeowners.

Club Energy Alliance offers a more efficient, accurate and quicker process to manage Homeinstallations, which speeds up the registration and contract support claiming process to improve both contractor and developer cashflow.

Online ErP Labeling Tool



All Glow-worm boilers are compliant with the European regulation, Energy Related Products (ErP), and a product label will be supplied with the boiler.

If you are looking to create a label for a heating system Glow-worm's Online ErP Labeling Calculator is an easy to use tool that has been developed to make it even easier to comply with regulation.



Nationwide after sales service

Home is supported by a UK wide service team who offer installers technical help and after sales service. A team of 230 engineers across the UK who carry over 1,500 spare parts in their vans ensure that we continue to meet a 97% first time fix rate.

Industry leading training

Glow-worm deliver courses designed with you in mind.

Further develop your knowledge and practical skills relating to the installation, fault finding and servicing of Glow-worm's Home boiler range, alongside understanding how Glow-worm can support you and your business.

- Maximum practical, hands-on training delivered by fully qualified trainers
- 7 state of the art Centres of Excellence located around the UK
- Industry leading training delivered in a relaxed and informal environment
- Keep up to date with new technologies and industry regulations

To book onto training please call 01773 596 156 or email training@glow-worm.co.uk

