



# Glow-worm

The energy you need

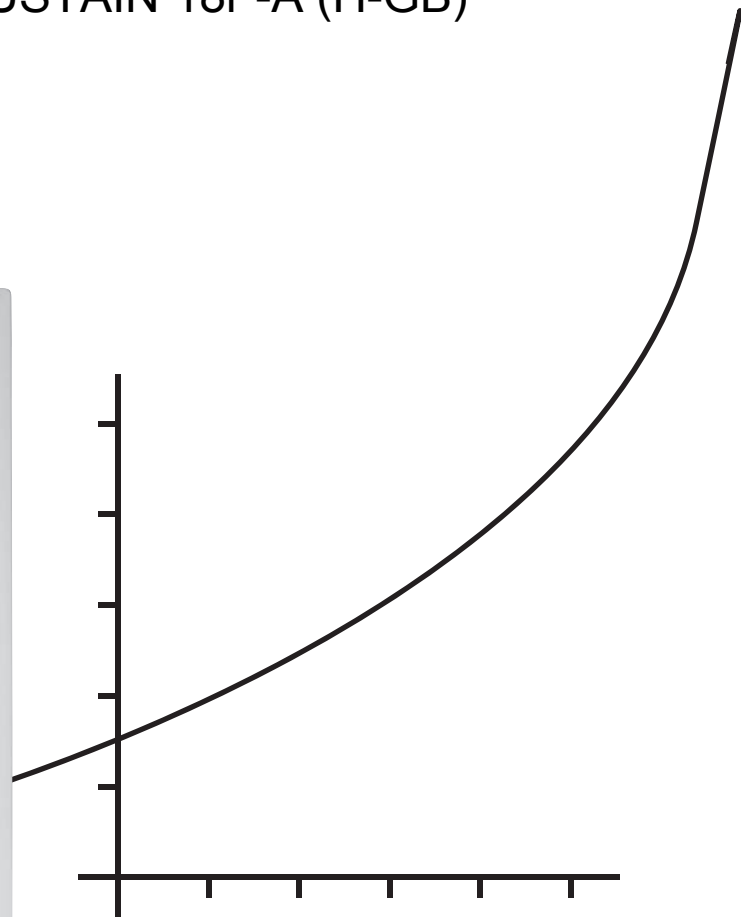
## Installation and maintenance instructions

SUSTAIN ..r

SUSTAIN 12r -A (H-GB)

SUSTAIN 15r -A (H-GB)

SUSTAIN 18r -A (H-GB)



**GB**

# Contents

## Contents

<b>1</b>	<b>Safety</b> .....	<b>3</b>	7.10	Checking the leak-tightness of the flue gas system and for flue gas recirculation .....	19
1.1	Action-related warnings .....	3	7.11	Checking function and leak-tightness .....	19
1.2	Intended use .....	3	7.12	Checking the heating mode .....	19
1.3	General safety information .....	3	<b>8</b>	<b>Adapting the unit to the heating installation</b> .....	<b>19</b>
1.4	Regulations (directives, laws, standards) .....	5	8.1	Burner anti-cycling time .....	19
<b>2</b>	<b>Notes on the documentation</b> .....	<b>7</b>	<b>9</b>	<b>Handing the product over to the operator</b> .....	<b>19</b>
2.1	Observing other applicable documents .....	7	<b>10</b>	<b>Inspection and maintenance</b> .....	<b>19</b>
2.2	Storing documents .....	7	10.1	Observing inspection and maintenance intervals .....	19
2.3	Applicability of the instructions .....	7	10.2	Procuring spare parts .....	19
<b>3</b>	<b>Product description</b> .....	<b>7</b>	10.3	Removing the gas-air mixture unit .....	20
3.1	Serial number .....	7	10.4	Cleaning the heat exchanger .....	20
3.2	Information on the identification plate .....	7	10.5	Checking the burner .....	21
3.3	CE label .....	7	10.6	Checking the ignition electrode .....	21
3.4	Functional elements .....	8	10.7	Cleaning the condensate siphon .....	21
<b>4</b>	<b>Installation</b> .....	<b>8</b>	10.8	Installing the gas-air mixture unit .....	21
4.1	Transporting the unit .....	8	10.9	Draining the product .....	21
4.2	Unpacking the product .....	8	10.10	Completing inspection and maintenance work .....	21
4.3	Checking the scope of delivery .....	8	<b>11</b>	<b>Troubleshooting</b> .....	<b>21</b>
4.4	Dimensions .....	9	11.1	Rectifying faults .....	21
4.5	Minimum clearances .....	9	11.2	Calling up the fault memory .....	21
4.6	Clearance from combustible components .....	9	11.3	Deleting the fault memory .....	21
4.7	Using the installation template .....	9	11.4	Preparing the repair work .....	22
4.8	Wall-mounting the product .....	9	11.5	Replacing defective components .....	22
4.9	Removing/installing the front casing .....	10	11.6	Completing repair work .....	23
4.10	Removing/installing the side section .....	10	<b>12</b>	<b>Decommissioning the product</b> .....	<b>23</b>
<b>5</b>	<b>Installation</b> .....	<b>11</b>	<b>13</b>	<b>Customer service</b> .....	<b>23</b>
5.1	Preparing for installation .....	11	<b>Appendix</b> .....	<b>24</b>	
5.2	Connecting the heating flow and heating return .....	11	<b>A</b>	<b>Inspection and maintenance work – Overview</b> .....	<b>24</b>
5.3	Gas connection .....	11	<b>B</b>	<b>Check programmes – Overview</b> .....	<b>24</b>
5.4	Connecting the condensate drain pipework .....	12	<b>C</b>	<b>Overview of diagnostics codes</b> .....	<b>25</b>
5.5	Installing the air/flue pipe .....	12	<b>D</b>	<b>Status codes – Overview</b> .....	<b>28</b>
5.6	Electrical installation .....	13	<b>E</b>	<b>Overview of fault codes</b> .....	<b>29</b>
<b>6</b>	<b>Operation</b> .....	<b>15</b>	<b>F</b>	<b>Connection diagram</b> .....	<b>31</b>
6.1	Using diagnostics codes .....	15	<b>G</b>	<b>Opening in the flue pipe</b> .....	<b>32</b>
6.2	Displaying the status codes .....	15	G.1	Positioning of the opening of a fan-supported flue gas pipe .....	32
6.3	Using check programmes .....	15	G.2	Text from BS 5440-1 on fan-supported flue gas pipes .....	33
<b>7</b>	<b>Start-up</b> .....	<b>16</b>	G.3	Opening of the flue pipe below eaves and balconies .....	33
7.1	Carrying out the initial start-up .....	16	<b>H</b>	<b>Commissioning Checklist</b> .....	<b>34</b>
7.2	Checking the type of gas .....	16	<b>I</b>	<b>Combustion chart</b> .....	<b>37</b>
7.3	Checking the factory setting .....	16	<b>J</b>	<b>Technical data</b> .....	<b>38</b>
7.4	Checking and treating the heating water/filling and supplementary water .....	16	<b>Index</b> .....	<b>40</b>	
7.5	Filling the condensate siphon .....	17			
7.6	Switching on the product .....	17			
7.7	Checking the gas connection pressure (gas flow pressure) .....	17			
7.8	Checking the CO <sub>2</sub> content .....	18			
7.9	Setting the CO <sub>2</sub> content .....	18			



## 1 Safety

### 1.1 Action-related warnings

#### Classification of action-related warnings

The action-related warnings are classified in accordance with the severity of the possible danger using the following warning signs and signal words:

#### Warning symbols and signal words



#### **Danger!**

Imminent danger to life or risk of severe personal injury



#### **Danger!**

Risk of death from electric shock



#### **Warning.**

Risk of minor personal injury



#### **Caution.**

Risk of material or environmental damage

### 1.2 Intended use

There is a risk of injury or death to the user or others, or of damage to the product and other property in the event of improper use or use for which it is not intended.

The product is intended as a heat generator for closed heating installations and for hot water generation.

The products referred to in these instructions must only be installed and operated in conjunction with the flue pipe accessories listed in other applicable documents.

Exceptions: For C63 and B23P installation types, follow the specifications in these instructions.

Intended use includes the following:

- observance of accompanying operating, installation and servicing instructions for the product and any other system components
- installing and fitting the product in accordance with the product and system approval
- compliance with all inspection and maintenance conditions listed in the instructions.

Intended use also covers installation in accordance with the IP class.

Any other use that is not specified in these instructions, or use beyond that specified in this document shall be considered improper use. Any direct commercial or industrial use is also deemed to be improper.

#### **Caution.**

Improper use of any kind is prohibited.

### 1.3 General safety information

#### 1.3.1 Required personnel qualifications

Improper work carried out on the product may cause material damage to the complete installation and, as a consequence, may even cause personal injury.

- ▶ You should therefore only work on the product if you are an authorised competent person.
- ▶ Carry out all work using the technology currently available.

#### 1.3.2 Risk of injury during transport due to a high product weight.

- ▶ Make sure that the product is transported by at least two people.

#### 1.3.3 Risk of death from escaping gas

What to do if you smell gas in the building:

- ▶ Avoid rooms that smell of gas.
- ▶ If possible, open doors and windows fully and ensure adequate ventilation.
- ▶ Do not use naked flames (e.g. lighters, matches).
- ▶ Do not smoke.
- ▶ Do not use any electrical switches, mains plugs, doorbells, telephones or other communication systems in the building.
- ▶ If it is safe to do so, close the emergency control valve or the main isolator.
- ▶ If possible, close the gas isolator cock on the product.
- ▶ Warn other occupants in the building by yelling or banging on doors or walls.
- ▶ Leave the building immediately and ensure that others do not enter the building.
- ▶ Notify the gas supply company or National Grid Transco +44 (0) 800 111999 by telephone from outside of the building.



## 1 Safety



### 1.3.4 Risk of death from escaping flue gas

If you operate the product with an empty condensate siphon, flue gas may escape into the room air.

- ▶ In order to operate the product, ensure that the condensate siphon is always full.

### 1.3.5 Risk of death due to blocked or leaking flue gas routes

Installation errors, damage, tampering, unauthorised installation sites or similar can cause flue gas to escape and result in a risk of poisoning.

What to do if you smell flue gas in the property:

- ▶ Open all accessible doors and windows fully to provide ventilation.
- ▶ Switch off the product.
- ▶ Check the flue gas routes in the product and the flue gas diversions.

### 1.3.6 Risk of poisoning and burns caused by escaping hot flue gases

- ▶ Only operate the product if the air/flue pipe has been completely installed.
- ▶ With the exception of short periods for testing purposes, only operate the product when the front casing is installed and closed.

### 1.3.7 Risk of death due to explosive and flammable materials

- ▶ Do not use or store explosive or flammable materials (e.g. petrol, paper, paint) in the installation room of the product.

### 1.3.8 Risk of death from electric shock

There is a risk of death from electric shock if you touch live components.

Before commencing work on the product:

- ▶ Disconnect the product from the power supply by switching off all power supplies (electrical partition with a contact opening of at least 3 mm, e.g. fuse or line protection switch).
- ▶ Secure against being switched back on again.

- ▶ Wait for at least 3 minutes until the condensers have discharged.
- ▶ Check that there is no voltage.

### 1.3.9 Risk of death due to lack of safety devices

The schematic drawings included in this document do not show all safety devices required for correct installation.

- ▶ Install the necessary safety devices in the system.
- ▶ Observe the applicable national and international laws, standards and guidelines.

### 1.3.10 Risk of poisoning caused by insufficient supply of combustion air

**Conditions:** Open-flued operation

- ▶ Ensure that the air supply to the product's installation room is permanently unobstructed and sufficient in accordance with the relevant ventilation requirements.

### 1.3.11 Risk of death due to cabinet-type casing

Cabinet-type casing can give rise to dangerous situations when used on a product which is operated with an open flue.

- ▶ Ensure that the product is supplied with sufficient combustion air.

### 1.3.12 Risk of corrosion damage due to unsuitable combustion and room air

Sprays, solvents, chlorinated cleaning agents, paint, adhesives, ammonia compounds, dust or similar substances may lead to corrosion on the product and in the air/flue pipe.

- ▶ Ensure that the supply of combustion air is always free of fluorine, chlorine, sulphur, dust, etc.
- ▶ Ensure that no chemical substances are stored at the installation site.
- ▶ Ensure that the combustion air is not routed through chimneys which have previously been used with floor-standing oil-fired boilers, or with other boilers,





which could cause soot to build up in the chimney.

- ▶ If you are installing the product in hairdressing salons, painter's or joiner's workshops, cleaning businesses or similar locations, choose a separate installation room in which a combustion air supply is ensured that is technically free of chemical substances.

#### **1.3.13 Risk of material damage caused by frost**

- ▶ Do not install the product in rooms prone to frost.

#### **1.3.14 Risk of being burned or scalded by hot components**

- ▶ Only carry out work on these components once they have cooled down.

#### **1.3.15 Risk of material damage caused by using an unsuitable tool**

- ▶ Use the correct tool to tighten or loosen screw connections.

### **1.4 Regulations (directives, laws, standards)**

Installation and maintenance of the boiler must only be performed by a competent person with valid accreditation from the Health and Safety Executive in accordance with the "Gas Safety (Installation and Use) Regulations 1998" (hereinafter abbreviated to "competent person" or "heating specialist company"). The existing regulations, rules and guidelines must be observed when doing so. Any special requirements of Local Authorities, gas undertakings or insurers must be complied with. The competent person is also responsible for inspection, maintenance and repairs to the boiler, and for checking gas volume setting and flue gas analysis.

Installers shall carry out a full site risk assessment and put into place all necessary steps and procedures to comply with Health and safety at work act and ensure safety of themselves and others with regard to manual handling and working at height requirements.

During the appliance installation (and any subsequent work, such as, the replacement of major parts ) it will be necessary to em-

ploy caution. All installers and operatives involved from unloading the appliance until it is fully mounted on the wall in its final installed location must exercise full duty of care for themselves and others with regard to safety. When lifting and handling this appliance, operatives should employ assistance. In certain situations it may be necessary to use mechanical handling aids. Take care to avoid trip hazards, slippery or wet surfaces.

#### **Employers and installers should refer to the HSE web site for full advice and manual handling assessment charts (MAC) tool.**

In addition where no specific instructions are given then reference shall be made, but not restricted to, all applicable and relevant British Standards and codes of practice such as the following:

- Gas Safety (Installation and Use) regulations.
- All current Building Regulations for England, Northern Ireland and Wales, (as amended). This includes Approved Codes of Practice and approved documents and guidance for building regulations. (A to P and 7)
- The Building Standards, Scotland, and any requirements determined by the local authorities within.
- The Health and safety at work act
- COSHH Control of Substances Hazardous to Health.
- BS 7671 Requirements for electrical installations. IEE Wiring Regulations
- The Electricity at Work Regulations.
- The Water supply (water fittings) regulations 1999.
- Water bylaws 2000 (Scotland)
- BS 5854 Code of practice for flues and flue structures in buildings.
- BS EN 12828 Design of water-based heating systems.
- BS EN 806 Parts 1 - 5.
- BS 8558 Guide to the design, installation, testing and maintenance of services supplying water for domestic use within buildings and their curtilages.



## 1 Safety

- BS 6880 Code of practice for low temperature heating systems with outputs above 45 kW, Part 1, 2, and 3.
- BS 6891 Installation of low pressure gas pipe work of up to 35mm in domestic premises.
- BS 4814 Specification for: Expansion vessels using an internal diaphragm, for sealed hot water and heating systems.
- BS 7074 Application, selection and installation of expansion vessels and ancillary equipment for sealed water systems., Part 1 and 2.
- BS 7593 Code of practice for treatment of water in domestic hot water central heating systems.
- BS 12831 Heating systems in buildings. Method for calculating design heat load.
- BS EN 13831 Closed expansion vessels with built in diaphragm.
- EN 14336 Heating systems in buildings. Installation and commissioning of water based heating systems.
- BS 5440 – 1 Installation of flues and ventilation for gas appliances of rated input not exceeding 70kW\*
- BS 5440 – 2 Flueing and ventilation for gas appliances of rated input not exceeding 70kW\*
- \* 1st 2nd and 3rd family gases.
- BS 5449 Forced circulation hot water systems up to 45kW.
- BS EN 6798 Installation & maintenance of gas fired hot water boilers of rated input not exceeding 70kW net.
- BS 5482 - Part 1 Domestic butane and propane gas burning installations

### Institute of Gas Engineers Publications:

- IGE/UP/1B (Edition 2) Tightness testing and direct purging of small natural gas installations.
- IGE/UP/ 7 (Edition 2) Gas in timber and light steel framed buildings.

Additionally for gas boilers systems with outputs greater than 70KW.

- BS 6644 Installation of gas boilers between 60 kW and 2 MW (2nd and 3rd family gases)
- BS 5449

- IGE/UP/1 (Edition 2) Strength testing, tightness testing and direct purging of industrial and commercial gas installations.
- IGE/UP/1A (Edition 2) Strength testing, tightness testing and direct purging of small, low pressure industrial and commercial natural gas installations.
- IGE/UP/10 Installation of gas appliances in industrial and commercial premises. Part 1 Flued appliances.
- The installation must comply with the current version of the Clean Air Act.
- I.S. 813 Domestic Gas Installations
- I.S. 820 Non Domestic Gas Installations
- Building Control Act 2007
- ETCI Regulations for installing electrical systems

## 2 Notes on the documentation

### 2.1 Observing other applicable documents

- ▶ You must observe all the operating and installation instructions included with the system components.

### 2.2 Storing documents

- ▶ Pass these instructions and all other applicable documents on to the system operator.

### 2.3 Applicability of the instructions

These instructions apply only to:

#### Product article number

	Article number	Gas Council Number
<b>SUSTAIN 12r -A (H-GB)</b>	0010015891	41-019-39
<b>SUSTAIN 15r -A (H-GB)</b>	0010015892	41-019-40
<b>SUSTAIN 18r -A (H-GB)</b>	0010015893	41-019-41

## 3 Product description


### 3.1 Serial number






The serial number is located on a plate behind the front flap. The plate is in a plastic fish plate. You can also display the serial number in the display.

### 3.2 Information on the identification plate

The identification plate is mounted on the underside of the product in the factory.

The identification plate keeps record of the country in which the product is to be installed.

Information on the identification plate	Meaning
	Barcode with serial number
Serial number	For quality control purposes; 3rd and 4th digits = year of production For quality control purposes; 5th and 6th digits = week of production For identification purposes; 7th to 16th digits = product article number For quality control purposes; 17th to 20th digits = place of manufacture
SUSTAIN ..r	Product description
2H, G20 - 20 mbar (2 kPa)	Factory setting for type of gas and gas connection pressure
Cat.	Approved gas category
Condensing technology	Efficiency class of the boiler in accordance with EC Directive 92/42/EEC
Type: Xx3(x)	Permissible flue gas connections
PMS	Maximum water pressure in heating mode
PMW	Maximum water pressure in hot water handling mode
V/Hz	Electric connection

Information on the identification plate	Meaning
W	Max. electrical power consumption
IP	Level of protection
	Heating mode
	Hot water generation
Pn	Nominal heat output range in heating mode
Pnc	Nominal heat output range in heating mode (condensing technology)
P	Nominal heat output range in hot water handling mode
Qn	Nominal heating load range in heating mode
Qnw	Nominal heating load range in hot water handling mode
T <sub>max.</sub>	Max. flow temperature
NOx	NOx class for the product
Code (DSN)	Specific product code
	→ "CE label" section
	Read the instructions.
	→ "Recycling and disposal" section
GC no.	Gas council number

### 3.3 CE label

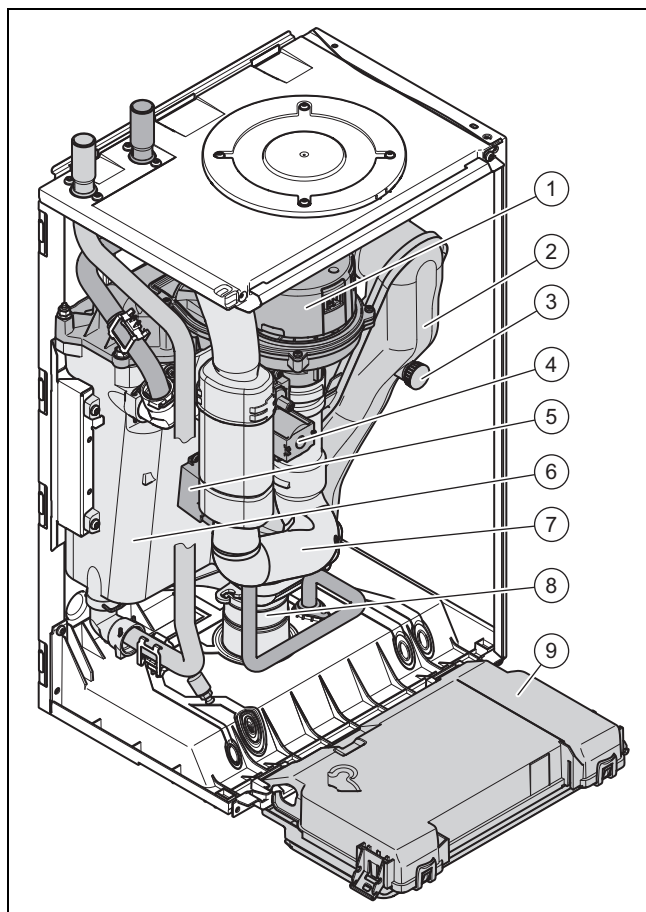


The CE label shows that the products comply with the basic requirements of the applicable directives as stated on the identification plate.

The declaration of conformity can be viewed at the manufacturer's site.

## 4 Installation

### 3.4 Functional elements



- |   |                         |   |                   |
|---|-------------------------|---|-------------------|
| 1 | Gas-air mixture unit    | 6 | Heat exchanger    |
| 2 | Flue pipe               | 7 | Air intake pipe   |
| 3 | Flue gas analysis point | 8 | Condensate siphon |
| 4 | Gas valve               | 9 | Electronics box   |
| 5 | Ignition transformer    |   |                   |

- ▶ Lift the box using the straps provided.
- ▶ Use safe lifting techniques – keep your back straight and bend your legs at the knee.
- ▶ Hold the load as close as possible to your body.
- ▶ If the unit is being lifted by two persons, ensure your movements are coordinated during lifting.
- ▶ If required, get somebody to assist you in this.

### 4.2 Unpacking the product

1. Remove the product from its box.
2. Remove the protective film from all of the product's components.

### 4.3 Checking the scope of delivery

- ▶ Check that the scope of delivery is complete and intact.

#### 4.3.1 Scope of delivery

Number	Description
1	Heat generator
1	Hanging bracket
1	Gas isolator cock
1	Gas pipe
1	Condensate drain hose
1	Installation template
1	Enclosed documentation

## 4 Installation

### 4.1 Transporting the unit

**Important:** With regard to the regulations of 1992 concerning the manual handling of loads, the unit exceeds the weight that can be lifted by a single person.

#### 4.1.1 General

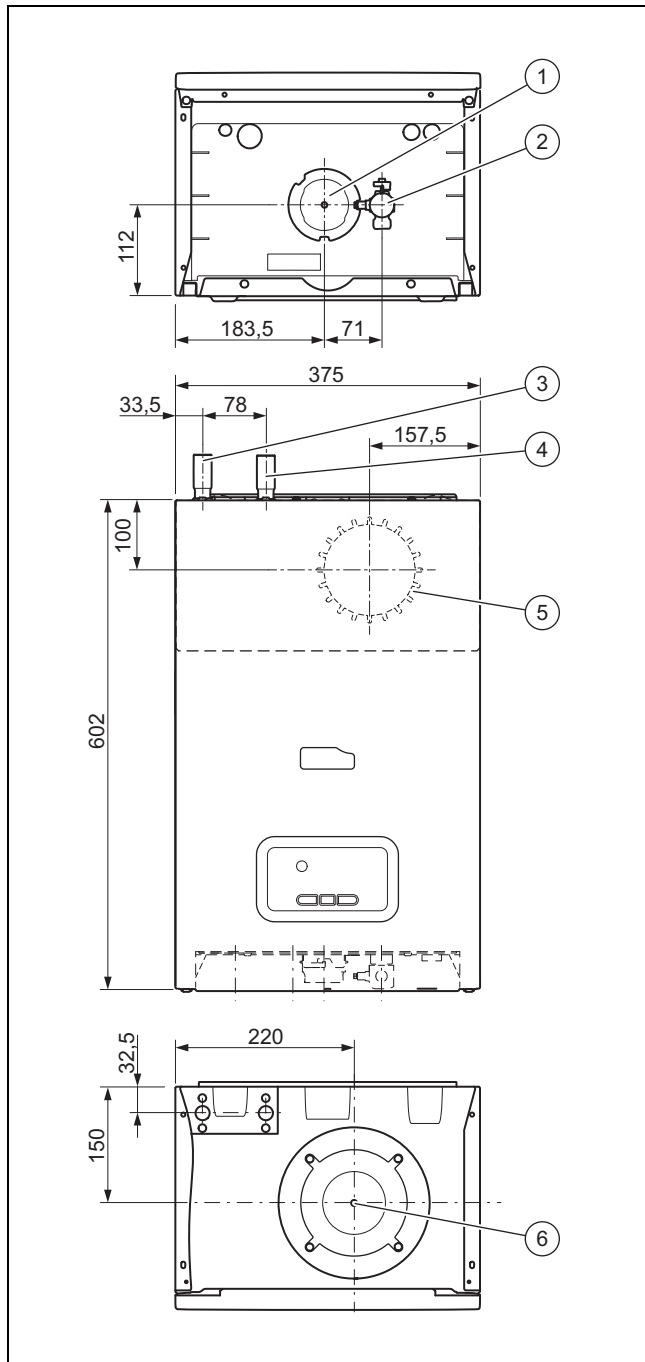
- ▶ Hold the load as close as possible to your body. Avoid rotational movements. Instead, reposition your feet.
- ▶ If the unit is being lifted by two persons, ensure your movements are coordinated during lifting.
- ▶ Avoid bending your upper body – do not lean forwards or to the side.
- ▶ Wear suitable non-slip protective gloves in order to protect your hands against sharp edges. Ensure that you are carrying the load securely.
- ▶ If required, get somebody to assist you in this.

#### 4.1.2 Unloading the box from the delivery van

- ▶ It is recommended that two people lift the unit together.

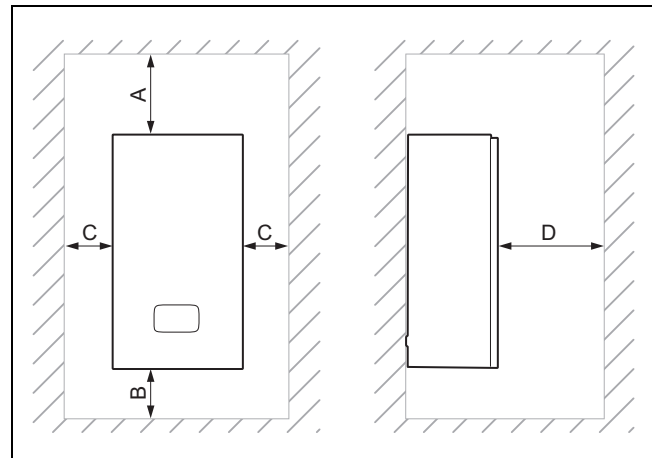


4.4 Dimensions



- |   |                      |   |   |
|---|----------------------|---|---|
| 1 | Condensate discharge | 5 | Connection on the back of the air/flue pipe |
| 2 | Gas connection       | 6 | Connection on the top of the air/flue pipe  |
| 3 | Heating return       |   |   |
| 4 | Heating flow         |   |   |

4.5 Minimum clearances



	Minimum clearance	
A		150 mm
B		150 mm
C		5 mm
D		600 mm

4.6 Clearance from combustible components

It is not necessary to maintain a clearance between the product and components made of combustible materials.

4.7 Using the installation template

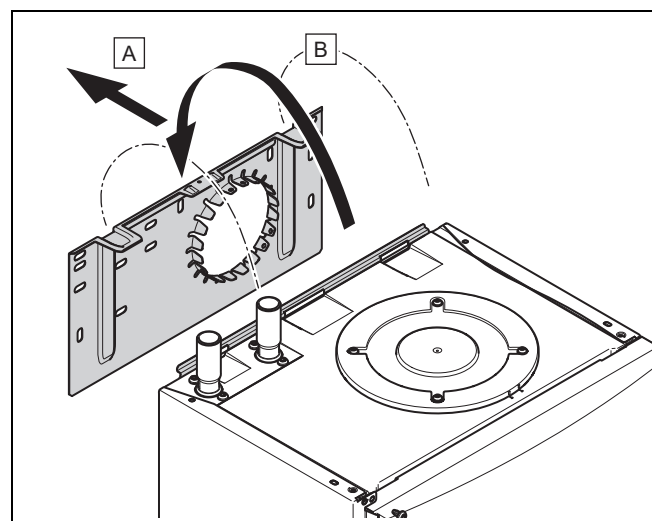
- Use the installation template to ascertain the locations at which you need to drill holes and make breakthroughs.

4.8 Wall-mounting the product



**Note**

If you are using the rear air/flue gas connection, install the flue pipe before you wall-mount the product.



1. Check whether the wall has sufficient load-bearing capacity to bear the operational weight of the product.
2. Check if the supplied fixing material may be used for the wall.

## 4 Installation

**Conditions:** The load-bearing capacity of the wall is sufficient, The fixing material may be used for the wall

- ▶ Wall-mount the product as described.

**Conditions:** The load-bearing capacity of the wall is not sufficient

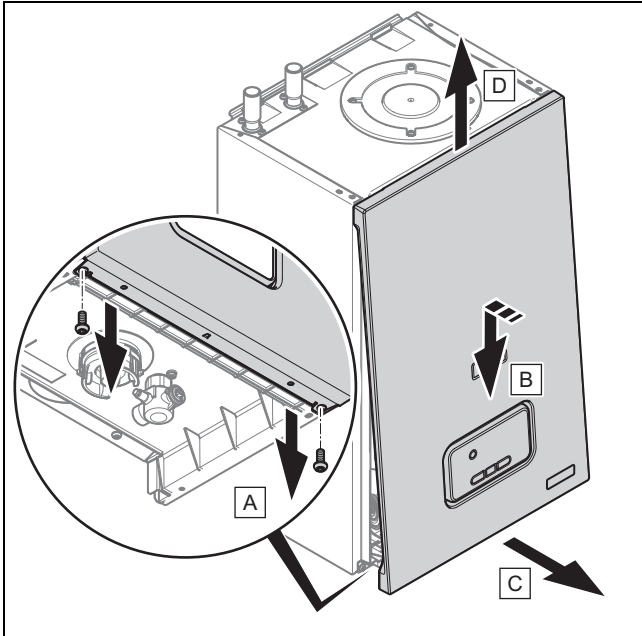
- ▶ Ensure that wall-mounting apparatus on-site has a sufficient load-bearing capacity. Use individual stands or primary walling, for example.
- ▶ Do not wall-mount the product if you cannot provide wall-mounting apparatus with a sufficient load-bearing capacity.

**Conditions:** The fixing material may not be used for the wall

- ▶ Wall-mount the product as described using the permitted fixing material provided on-site.

### 4.9 Removing/installing the front casing

#### 4.9.1 Removing the front casing



1. Undo the two screws (1).
2. Gently press the front casing backwards in the centre and pull it downwards on the lower edge so that the retaining clip is released.
3. Pull the front casing forwards at the bottom edge.
4. Lift the front casing upwards from the retainers.

#### 4.9.2 Installing the front casing

1. Place the front casing on the upper retainer.
2. Press the front casing onto the product so that the retainer bracket clicks into place.
3. Secure the front casing by tightening both screws.

### 4.10 Removing/installing the side section

#### 4.10.1 Removing the side section



**Caution.**

**Risk of material damage caused by mechanical deformation.**

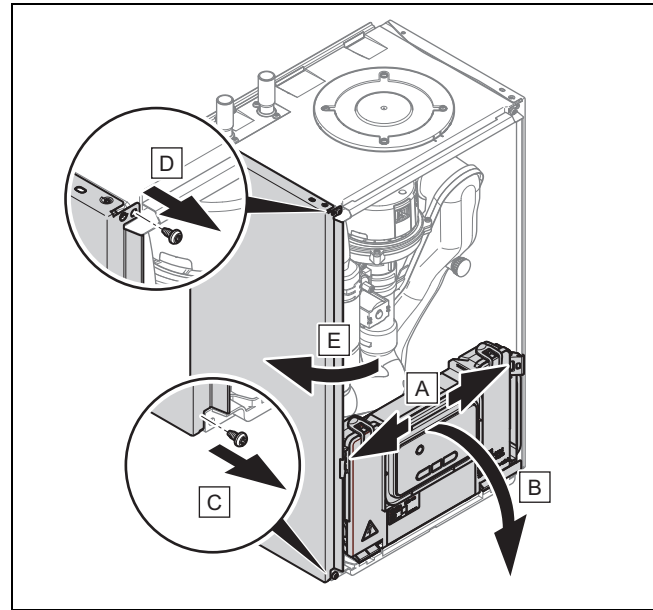
Removing **both** side sections may cause mechanical distortion in the product, which may cause damage to the piping, for example, and potentially result in leaks.

- ▶ Always remove **only one** side section – never both side sections at the same time.



**Note**

If there is sufficient lateral clearance (at least 70 mm), you can remove the side section to facilitate maintenance or repair work.



1. Tilt the electronics box forward.
2. Hold on to the side section so that it cannot fall, and unscrew both screws, one from the top and one from the bottom.
3. Tilt the side section to the outside and take it out towards the top.

#### 4.10.2 Installing the side section

1. Push the side section into the recesses in the back wall.
2. Tilt the side section towards the product.
3. Screw the two screws into the side section, one at the top and one at the bottom.
4. Fold up the electronics box.

## 5 Installation

### 5.1 Preparing for installation



**Danger!**

**Risk of scalding and/or damage due to incorrect installation leading to escaping water.**

Stresses in the supply line can cause leaks.

- ▶ Make sure there is no voltage in the supply lines when they are installed.



**Caution.**

**Risk of damage caused by corrosion.**

If non-diffusion-tight plastic pipes are used in the heating installation, this may cause air to enter the heating water and corrosion of the heat generation circuit and the boiler.

- ▶ If using non-diffusion-tight plastic pipes in the heating installation, separate the system by installing an external heat exchanger between the boiler and the heating installation.



**Caution.**

**Risk of material damage due to heat transfer during soldering.**

- ▶ Do not solder the connection pieces if the connection pieces are screwed to the service valves.



**Caution.**

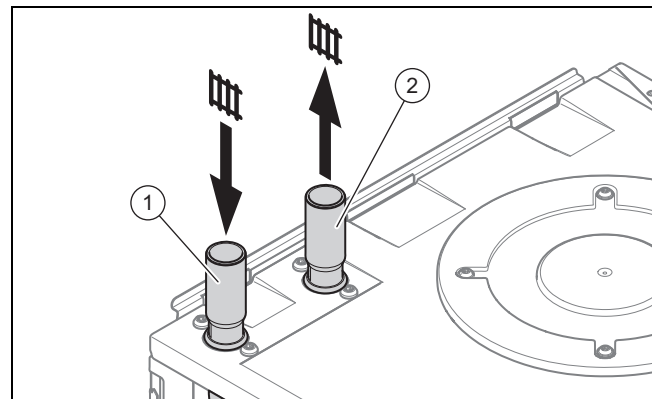
**Risk of damage caused by incorrect gas installation.**

Excess test pressure or operating pressure may cause damage to the gas valve.

- ▶ Check the leak-tightness of the gas valve using a maximum pressure of 1.1 kPa (110 mbar).

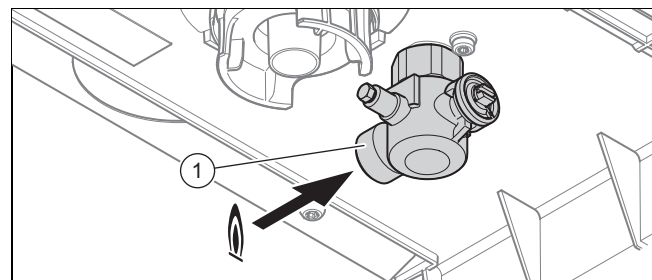
- ▶ Flush the heating installation thoroughly prior to installation.
- ▶ Make sure that the existing gas meter is capable of passing the rate of gas supply required.
- ▶ Install the following components:
  - Drain cocks at the lowest points of the heating installation
  - A heating pump in the heating flow
  - A bypass that is at least 1.5 m away from the product
  - A stop cock in the gas line

### 5.2 Connecting the heating flow and heating return



- |                             |                           |
|-----------------------------|---------------------------|
| 1 Heating return connection | 2 Heating flow connection |
|-----------------------------|---------------------------|
1. Establish the heating connections in accordance with the applicable standards.
  2. Purge the gas line before start-up.
  3. Check whether the connections (→ Page 19) are leak-tight.

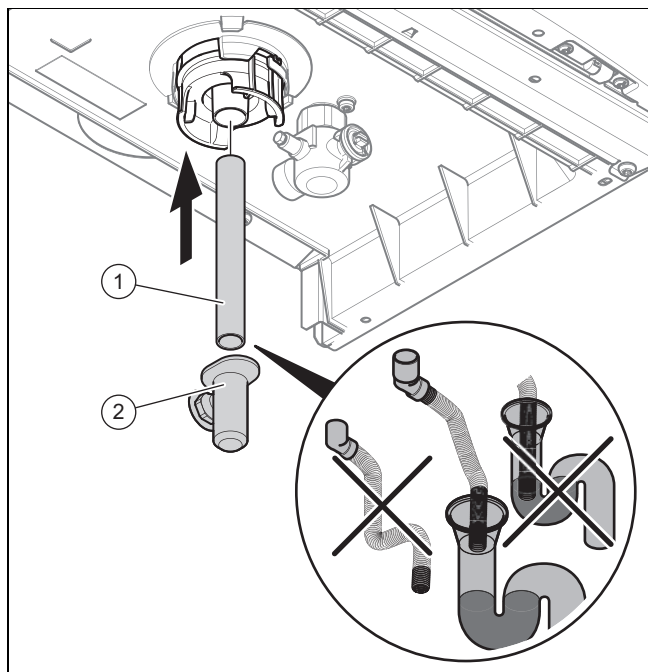
### 5.3 Gas connection



1. Establish the gas connection (1) in accordance with the applicable standards.
2. Purge the gas line before start-up.
3. Check whether the connections (→ Page 19) are leak-tight.

## 5 Installation

### 5.4 Connecting the condensate drain pipework



- ▶ Follow the instructions listed here and observe directives and local regulations on condensate discharge.
- ▶ Use PVC or another material that is suitable for draining the non-neutralised condensate.
- ▶ If it cannot be guaranteed that the materials the drain lines are made from are suitable, install a system for neutralising the condensate.
- ▶ Ensure that the connection between the condensate drain pipework and the drain hose is not air-tight.



#### Note

The condensate drain pipework must have a continuous fall (45 mm per metre) and should whenever possible terminate at a suitable drain point within the heated envelope of the building that will remain frost free under long periods of low external temperatures.

- ▶ During installation remove all burrs from inside of cut pipe work and avoid excessive adhesive which may trap small pockets of water close to the pipe wall which can freeze and build into a larger ice plug.
- ▶ As with other pipe work insulate the condensate discharge pipe to minimise any risk of freezing and beware when crossing cavities that the fall is maintained and the pipe sleeved.

You can find further information in BS 6789: "Specification for installing and maintaining gas-fired boilers with a nominal heat loading less than 70 kW".

### 5.5 Installing the air/flue pipe



#### Caution.

#### Risk of poisoning due to escaping flue gas.

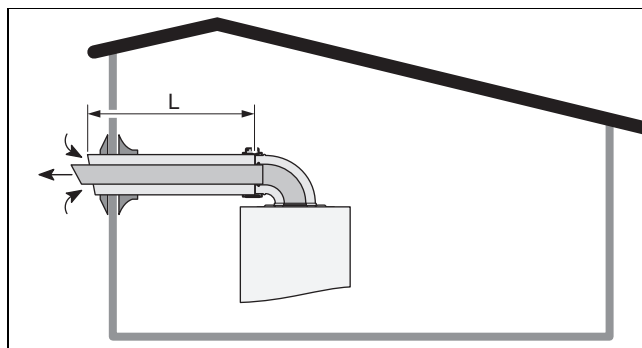
Mineral-oil-based greases can damage the seals.

- ▶ Instead of grease, use only water or commercially available soft soap to aid installation.

1. You can find out which air/flue pipes may be used by consulting the enclosed air/flue pipe installation manual.
2. Install the flue gas pipe in accordance with the installation instructions that are included in the scope of delivery for the air/flue pipe.

#### 5.5.1 Air/flue gas system

##### 5.5.1.1 Horizontal air/flue gas system



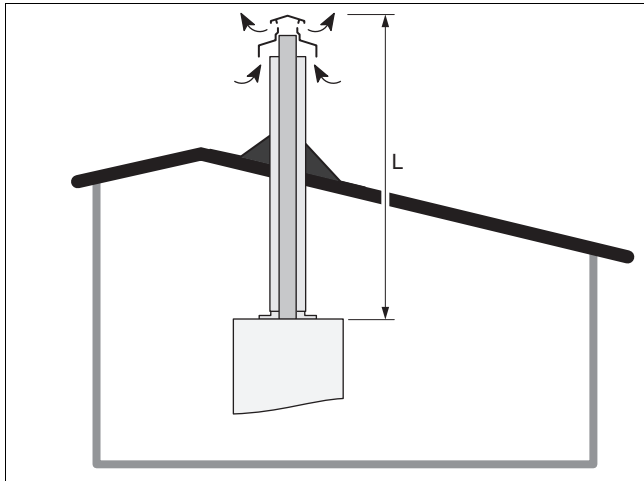
The openings in an attachment for separate lines must lead to a 50 cm-sided square.

For each additional 90° elbow (or two 45° elbows) that is required, the length (L) must be reduced by 1 m.

#### Length of the C13 type flue pipe

	Diameter of the air/flue pipe	
	Dia. 60/100 (L)	Dia. 80/125 (L)
	C13 type air/flue pipe	C13 type air/flue pipe
SUSTAIN 12r -A (H-GB)	≤ 10 m	≤ 25 m
SUSTAIN 15r -A (H-GB)	≤ 10 m	≤ 25 m
SUSTAIN 18r -A (H-GB)	≤ 10 m	≤ 25 m

5.5.1.2 Vertical air/flue gas system



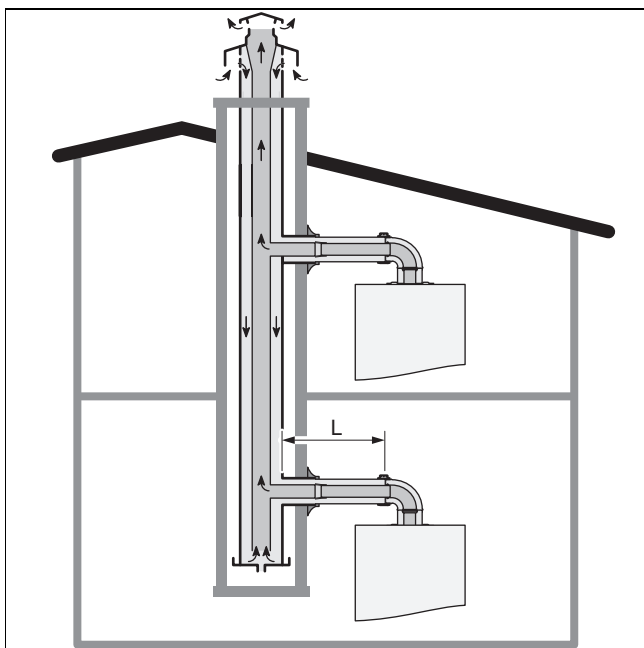
The openings in an attachment for separate lines must lead to a 50 cm-sided square.

For each additional 90° elbow (or two 45° elbows) that is required, the length (L) must be reduced by 1 m.

Length of the C33 type flue pipe

	Diameter of the air/flue pipe	
	Dia. 60/100 (L)	Dia. 80/125 (L)
	C33 type air/flue pipe	C33 type air/flue pipe
SUSTAIN 12r -A (H-GB)	≤ 10 m	≤ 25 m
SUSTAIN 15r -A (H-GB)	≤ 10 m	≤ 25 m
SUSTAIN 18r -A (H-GB)	≤ 10 m	≤ 25 m

5.5.1.3 Air/flue gas system for header lines



The connections with the line are established using the accessory specially developed by the product manufacturer.

A boiler that is connected to a type C43 system must only be connected to natural draught chimneys.

The condensate from header line systems must not drain into the boiler.

For each additional 90° elbow (or two 45° elbows) that is required, the length (L) must be reduced by 1 m.

Length of the C43 type flue pipe

	Diameter of the air/flue pipe	
	Dia. 60/100 (L)	Dia. 80/125 (L)
	C43 type air/flue pipe	C43 type air/flue pipe
SUSTAIN 12r -A (H-GB)	≤ 10 m	≤ 10 m
SUSTAIN 15r -A (H-GB)	≤ 10 m	≤ 10 m
SUSTAIN 18r -A (H-GB)	≤ 10 m	≤ 10 m

5.6 Electrical installation

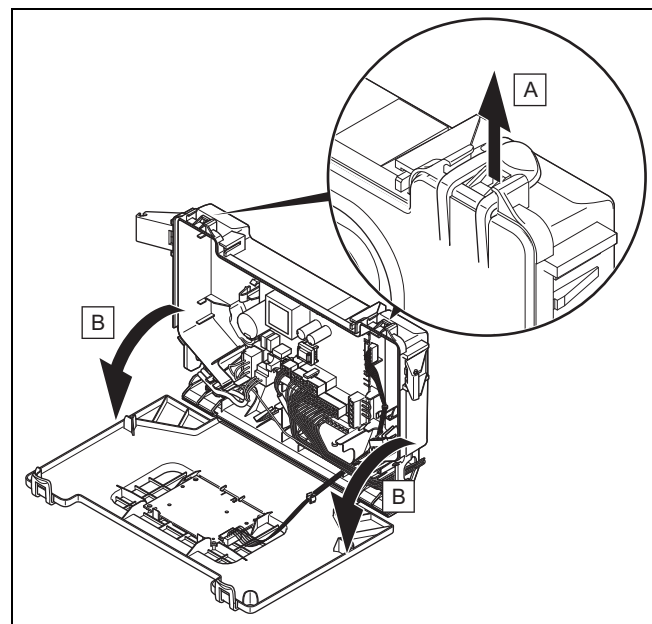


**Danger!**  
**Risk of death from electric shock!**

The mains connection terminals L and N remain live even if the product is switched off.

- ▶ Switch off the power supply.
- ▶ Secure the power supply against being switched on again.

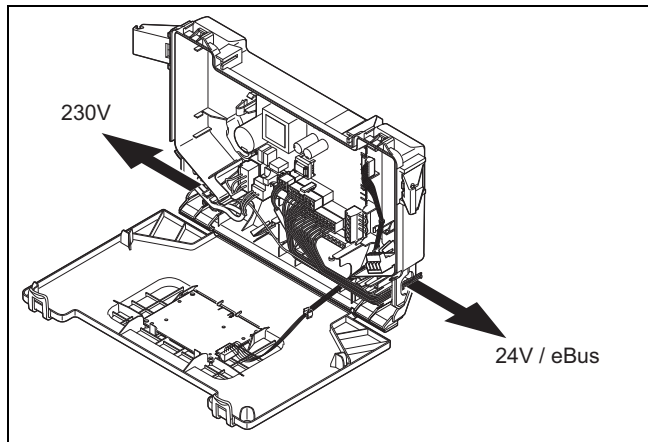
5.6.1 Opening the electronics box



- ▶ Follow the instructions in the specified sequence.

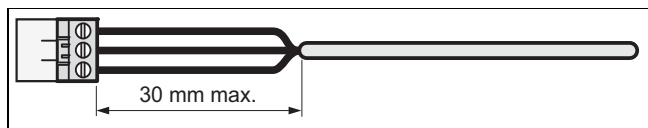
## 5 Installation

### 5.6.2 Cable route



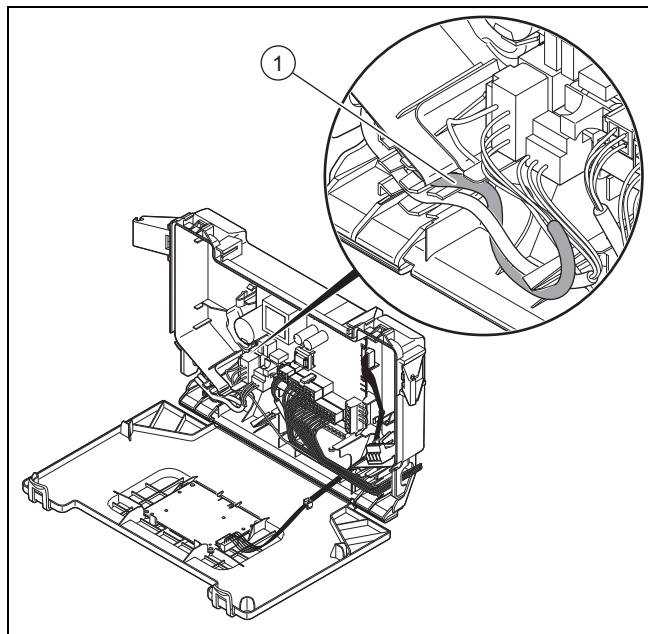
- 1 24-V eBUS cable route
- 2 230-V eBUS cable route

### 5.6.3 Carrying out the wiring



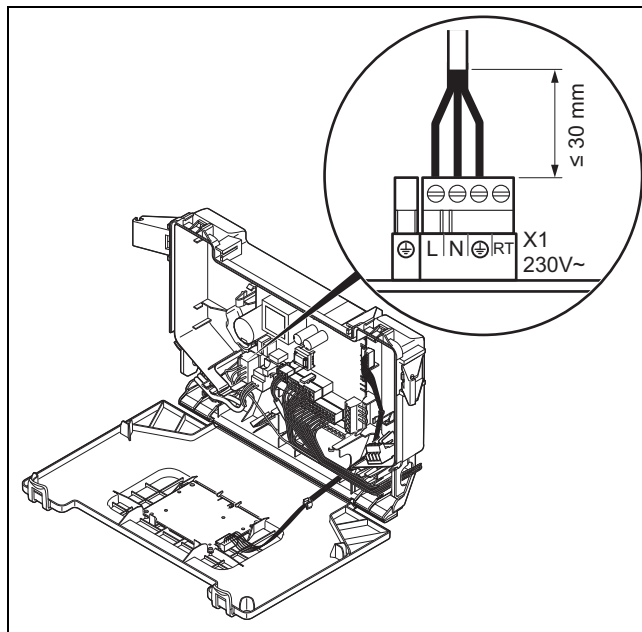
1. Shorten the connection cables to the appropriate lengths to prevent them from causing damage inside the electronics box.
2. Screw the plug to the connection cable.
3. Plug the plug into the slot provided on the PCB.

### 5.6.4 Establishing the power supply



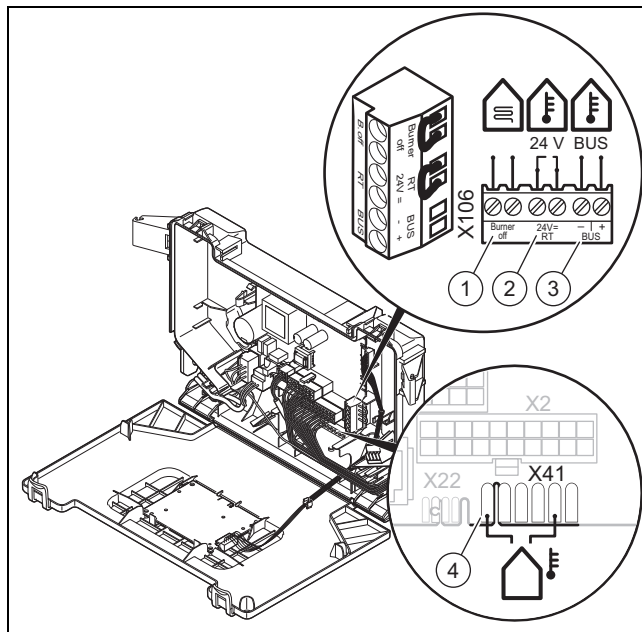
1. Observe all valid regulations.
2. Ensure that the rated mains voltage is 230 V.
3. Set up a fixed connection and install a partition with a contact opening of at least 3 mm (e.g. fuses or power switches).

4. Provide one common electricity supply for the boiler and for the corresponding controller:
  - Power supply: Single-phase, 230 V, 50 Hz
  - Fuse protection:  $\leq 3$  A
5. Open the electronics box. (→ Page 13)
6. Observe the routing of the power supply cable (1) in the electronics box in order to guarantee the strain relief.



7. Carry out the wiring. (→ Page 14)
8. Close the electronics box.
9. Make sure that access to the mains connection is always available and is not covered or blocked.

### 5.6.5 Connecting controllers to the electronic system



- |  |  |
|--|--|
| 1 Safety thermostat for floor-standing heating | 3 eBUS controller or radio receiver unit |
| 2 24 V controller                              | 4 Outside temperature sensor, wired      |

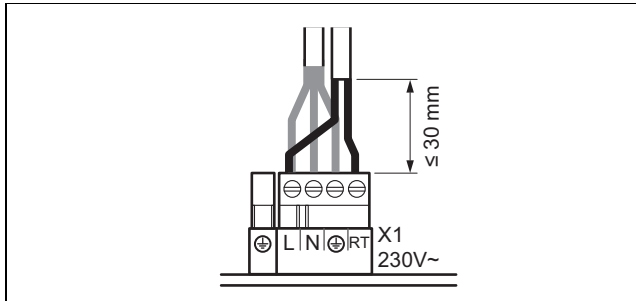
1. Open the electronics box. (→ Page 13)
2. Carry out the wiring. (→ Page 14)

3. Connect the individual components depending on the type of installation.

**Conditions:** If installing a multi-circuit controller.

- ▶ Change the pump's operating mode **d.18** from Eco (intermittently operating pump) to Comfort (continuously operating pump).

**Conditions:** When connecting a controller (230 V).



- ▶ Connect the controller to the main plug.
  - ▶ Remove the bridge from the plug **24V=RT**.
4. Close the electronics box.

## 6 Operation

### 6.1 Using diagnostics codes

You can use the parameters marked as adjustable in the table of diagnostics codes to adapt the product to the system and customer requirements.

Overview of diagnostics codes (→ Page 25)

#### 6.1.1 Activating diagnostics codes

1. Press and hold the **mode** button for seven seconds.
  - ◀ **888** is shown in the display.
2. Press the **-/+** buttons to set the value.
  - ◀ The access code **(96)** is reserved for the competent person.
  - ◀ The access code **(35)** is reserved for the customer service.
3. Press the **mode** button to confirm.
  - ◀ **d888** is shown in the display.

#### 6.1.2 Setting a diagnostics code

1. Press the **-** or **+** button to select the diagnostics code.
2. Press the **mode** button to confirm.
  - ◀ The value and/or status of the diagnostics code is shown in the display.
3. Press the **-** or **+** button to set the value.
4. If you allow the value to flash for three seconds, the setting is automatically confirmed.
  - ◀ is shown in the display for 1 second.



#### Note

You can manually confirm the setting at any time by pressing and holding the **mode** button for less than 3 seconds.

5. Proceed accordingly for all parameters that need to be changed.
6. Press and hold the **mode** button for 3 seconds to finish configuring the diagnostics codes.
  - ◀ The display switches to the basic display.

### 6.2 Displaying the status codes

The status codes display the product's current operating status.

Status codes – Overview (→ Page 28)

#### 6.2.1 Activating the status codes display

1. Hold the **+/-** button down for more than 7 seconds.
  - ◀ **S.XX** is shown on the display, followed by the heating flow temperature, the internal system pressure and the cylinder temperature (depending on the version).
2. Press the **mode** button to exit this menu.
  - ◀ The display switches to the basic display.

### 6.3 Using check programmes

By activating various check programmes, you can trigger various special functions on the product.

Check programmes – Overview (→ Page 24)

#### 6.3.1 Activating check programmes

1. Press and hold the **⏻** button for more than five seconds.
  - ◀ **⏻** is shown in the display.
2. Press and hold the **mode** button for five seconds.
  - ◀ **P01** is shown in the display.
3. Press the **-/+** button to select the check programme.
4. Press the **mode** button to confirm.
  - ◀ The selected check programme is started.
5. Press the **mode** button to finish the check programme.
6. Press and hold the **mode** button for three seconds to finish the check programmes.

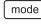



#### Note

If you do not press any button for 15 minutes, the current programme is automatically cancelled and the basic display is shown.

## 7 Start-up

### 6.3.2 Activating the check programme for the maximum output function

- ▶ Press and hold the  and  buttons simultaneously for more than five seconds.

## 7 Start-up

### 7.1 Carrying out the initial start-up

Initial start-up must be carried out by a customer service technician or an authorised competent person using the first-commissioning-checklist. The first-commissioning-checklist in the appendix (→ Page 34) of the installation instructions must be filled in and stored carefully along with the unit's documentation.

- ▶ Carry out the initial start-up using the first-commissioning-checklist in the appendix.
- ▶ Fill out and sign the first-commissioning-checklist.

### 7.2 Checking the type of gas

Make sure that the product is set up correctly by checking the type of gas. This ensures optimum combustion quality.

- ▶ Check the type of gas as part of routine product maintenance work when replacing components, carrying out work on the gas route and carrying out a gas conversion.

### 7.3 Checking the factory setting

The product's combustion has been factory tested and is preset for operation with the gas group indicated on the identification plate.

- ▶ Check the information about the type of gas indicated on the identification plate and compare this with the type of gas available at the installation location.

**Conditions:** The product design is **not compatible** with the local gas group

- ▶ Do not start up the product.

**Conditions:** The product design is **compatible** with the local gas group

- ▶ Proceed as described below.

### 7.4 Checking and treating the heating water/filling and supplementary water



**Caution.**  
**Risk of material damage due to poor-quality heating water**

- ▶ Ensure that the heating water is of sufficient quality.

- ▶ Before filling or topping up the system, check the quality of the heating water.

#### Checking the quality of the heating water

- ▶ Remove a little water from the heating circuit.
- ▶ Check the appearance of the heating water.
- ▶ If you ascertain that it contains sedimentary materials, you must desludge the system.

- ▶ Use a magnetic rod to check whether it contains magnetite (iron oxide).
- ▶ If you ascertain that it contains magnetite, clean the system and apply suitable corrosion-protection measures, or fit a magnet filter.
- ▶ Check the pH value of the removed water at 25 °C.
- ▶ If the value is below 6.5 or above 8.5, clean the system and treat the heating water.
- ▶ Ensure that oxygen cannot get into the heating water. (→ Page 19)

#### Checking the filling and supplementary water

- ▶ Before filling the system, measure the hardness of the filling and supplementary water.

#### Treating the filling and supplementary water

- ▶ Observe all applicable national regulations and technical standards when treating the filling and supplementary water.

Provided the national regulations and technical standards do not stipulate more stringent requirements, the following applies:

You must treat the heating water in the following cases:

- If the entire filling and supplementary water quantity during the operating life of the system exceeds three times the nominal volume of the heating installation, or
- If the guideline values listed in the following table are not met, or
- if the pH value of the heating water is less than 6.5 or more than 8.5.

Total heating output	Water hardness at specific system volume <sup>1)</sup>					
	≤ 20 l/kW		> 20 l/kW ≤ 50 l/kW		> 50 l/kW	
kW	ppm CaCO <sub>3</sub>	mol/m <sup>3</sup>	ppm CaCO <sub>3</sub>	mol/m <sup>3</sup>	ppm CaCO <sub>3</sub>	mol/m <sup>3</sup>
< 50	< 300	< 3	200	2	2	0.02
> 50 to ≤ 200	200	2	150	1.5	2	0.02
> 200 to ≤ 600	150	1.5	2	0.02	2	0.02
> 600	2	0.02	2	0.02	2	0.02

1) Nominal capacity in litres/heating output; in the case of multi-boiler systems, the smallest single heating output is to be used.



**Caution.**  
**The use of unsuitable heating water may cause aluminium corrosion and a resulting lack of leak-tightness.**

In contrast to steel, grey cast iron or copper, for example, aluminium reacts with alkaline heating water (pH value > 8.5) to produce substantial corrosion.

- ▶ When using aluminium, make sure that the pH value of the heating water is between 6.5 and a maximum of 8.5.





**Caution.**

**Risk of material damage if the heating water is treated with unsuitable additives.**

Unsuitable additives may cause changes in the components, noises in heating mode and possibly subsequent damage.

- ▶ Do not use any unsuitable frost and corrosion protection agents, biocides or sealants.

No incompatibility with our products has been detected to date with proper use of the following additives.

- ▶ When using additives, follow the manufacturer's instructions without exception.

We accept no liability for the compatibility of any additive or its effectiveness in the rest of the heating system.

**Additives for cleaning measures (subsequent flushing required)**

- Fernox F3
- Sentinel X 300
- Sentinel X 400

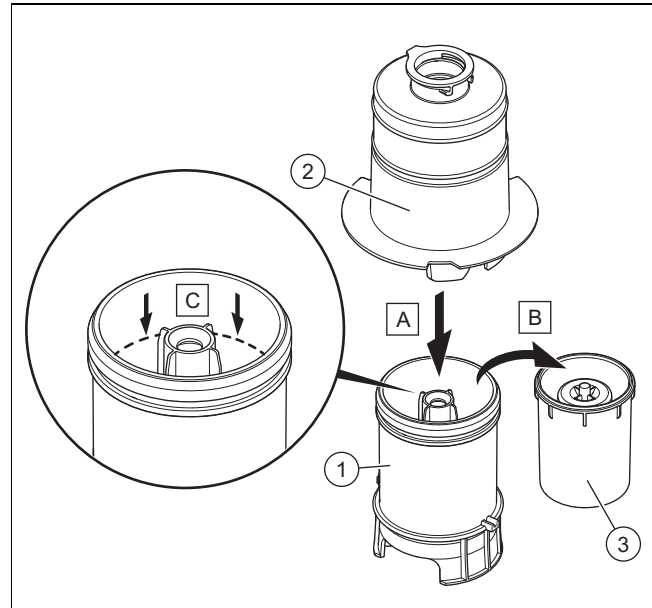
**Additives intended to remain permanently in the system**

- Fernox F1
- Fernox F2
- Sentinel X 100
- Sentinel X 200

**Additives for frost protection intended to remain permanently in the system**

- Fernox Antifreeze Alphi 11
- Sentinel X 500
- ▶ If you have used the above-mentioned additives, inform the operator about the measures that are required.
- ▶ Inform the operator about the measures required for frost protection.

**7.5 Filling the condensate siphon**



1. Unclip the lower section of the siphon (1) from the upper section of the siphon (2).
2. Remove the float (3).
3. Fill the lower section of the siphon with water up to 10 mm below the upper edge of the condensate drain pipework.
4. Re-insert the float (3).



**Note**

Check whether the float is present in the condensate siphon.

5. Clip the lower section of the siphon (1) into the upper section of the siphon (2).

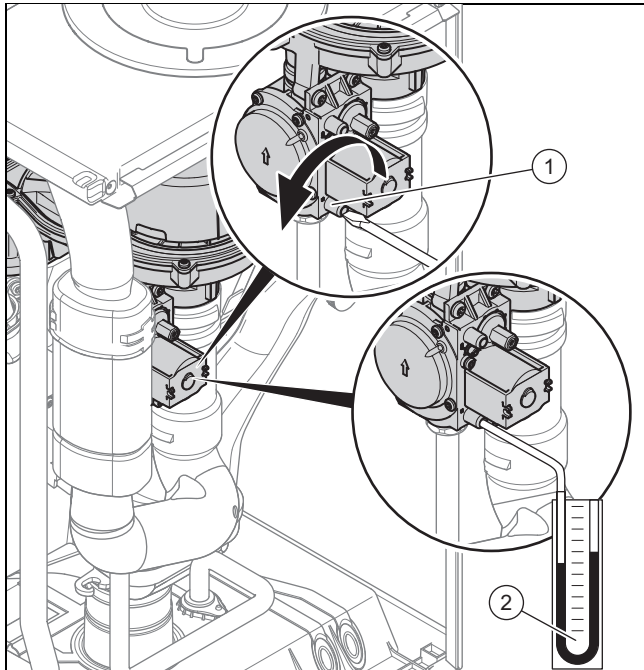
**7.6 Switching on the product**

- ▶ Switch on the product via the main switch installed on-site.

**7.7 Checking the gas connection pressure (gas flow pressure)**

1. Close the gas isolator cock.

## 7 Start-up



2. Use a screwdriver to undo the sealing screw on the measuring connection (1) of the gas valve.
3. Connect a pressure gauge (2) to the measuring nipple (1).
4. Open the gas isolator cock.
5. Start up the product with the check programme P.01.
6. Measure the gas connection pressure against atmospheric pressure.

### Permissible connection pressure

Great Britain	Natural gas	G20	1.7 ... 2.5 kPa (17.0 ... 25.0 mbar)

7. Decommission the product.
8. Close the gas isolator cock.
9. Remove the pressure gauge.
10. Tighten the screw on the measuring nipple (1).
11. Open the gas isolator cock.
12. Check the measuring nipple for gas tightness.

**Conditions:** Gas connection pressure **not** in the permissible range



### Caution.

#### Risk of material damage and operating faults caused by incorrect gas connection pressure.

If the gas connection pressure lies outside the permissible range, this can cause operating faults in and damage to the product.

- ▶ Do not make any adjustments to the product.
- ▶ Do not start up the product.

- ▶ If you are unable to remedy the fault, contact the gas supply company.
- ▶ Close the gas isolator cock.

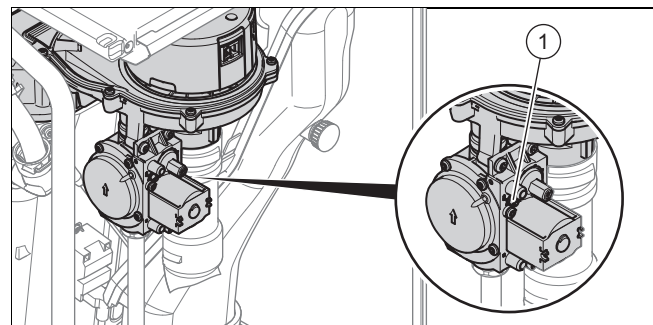
## 7.8 Checking the CO<sub>2</sub> content

1. Start up the product with the check programme P.01.
2. Wait at least five minutes until the product reaches its operating temperature.
3. Measure the CO<sub>2</sub> content at the flue gas analysis point.
4. Compare the measured value with the corresponding value in the table.

Settings	Unit	G20 natural gas
CO <sub>2</sub> after 5 minutes in full load mode with front casing closed	Vol.-%	9.2 ± 1.0
CO <sub>2</sub> after 5 minutes in full load mode with front casing removed	Vol.-%	9.0 ± 1.0
Set for Wobbe index W <sub>0</sub>	kWh/m <sup>3</sup>	15
CO in full load mode	ppm	≤ 250
CO/CO <sub>2</sub>		≤ 0.0031

5. Set the CO<sub>2</sub> content as required. (→ Page 18)

## 7.9 Setting the CO<sub>2</sub> content



1. Remove the yellow sticker.
2. Remove the blue covering cap (1).
3. Use an Allen key to turn the bolt in order to set the CO<sub>2</sub> content (value with front casing removed).
  - ◁ Turning to the right decreases the value.
  - ◁ Turning to the left increases the value.
4. For natural gas only: Only perform the adjustment in increments of a 1/8 turn and wait approx. one minute after each adjustment until the value stabilises.
5. For liquid gas only: Only perform the adjustment in small increments (approx. 1/16 turn), and wait approx. one minute after each adjustment until the value stabilises.
6. If an adjustment is not possible in the specified adjustment range, you must not start up the product.
7. If this is the case, inform Vaillant Customer Service.
8. Secure the covering cap.
9. Install the front casing. (→ Page 10)

### 7.10 Checking the leak-tightness of the flue gas system and for flue gas recirculation

1. Check that the flue gas system is intact, in accordance with British Gas TB 200.
2. If the flue gas system is longer than 2 m, we urgently recommend that you test the system for flue gas recirculation as described below.
3. Use the air analysis point **(1)** to check for flue gas recirculation.
4. Use the flue gas measuring instrument.
5. If you discover CO or CO<sub>2</sub> in the fresh air, search for a leak in the flue gas system or for the flue gas recirculation.
6. Eliminate the damage.
7. Repeat the above-mentioned test to determine if the fresh air contains CO or CO<sub>2</sub>.
8. If you cannot eliminate the damage, you must not start up the boiler.

### 7.11 Checking function and leak-tightness

Before you hand the product over to the operator:

- ▶ Check the gas line, the flue gas installation, the heating installation and the hot water pipes for leaks.
- ▶ Check that the air/flue pipe and condensate drain pipe-work have been installed correctly.
- ▶ Check that the front casing has been installed correctly.

### 7.12 Checking the heating mode

1. Activate the heating mode on the user interface.
2. Turn all thermostatic radiator valves on the radiators until they are fully open.
3. Allow the product to operate for at least 15 minutes.
4. Purge the heating installation.
5. Activate the display for the current operating status. (→ Page 15)  
Status codes – Overview (→ Page 28)
  - ◀ If the product is working correctly, the display shows **S.04**.

## 8 Adapting the unit to the heating installation

You can reset/change the system parameters (section "Using diagnostics codes").

Overview of diagnostics codes (→ Page 25)


### 8.1 Burner anti-cycling time

To prevent frequent switching on and off of the burner and thus prevent energy losses, an electronic restart lockout is activated for a specific period each time the burner is switched off. The burner anti-cycling time is only active for the heating mode. Hot water handling mode during a burner anti-cycling time does not affect the time function element.

### 8.1.1 Setting the burner anti-cycling time

- ▶ Set the diagnostics code. (→ Page 15)  
Overview of diagnostics codes (→ Page 25)

### 8.1.2 Resetting the remaining burner anti-cycling time

- ▶ Press and hold the fault clearance key for more than three seconds.
  - ◀  is shown in the display.

## 9 Handing the product over to the operator

- ▶ When you have finished the installation, attach the sticker supplied (in the operator's language) to the product cover.
- ▶ Explain to the operator how the safety devices work and where they are located.
- ▶ Inform the operator how to handle the product.
- ▶ In particular, draw attention to the safety information which the operator must follow.
- ▶ Inform the operator of the necessity to have the product maintained on a regular basis.
- ▶ Instruct the operator about measures taken to ensure the supply of combustion air and flue gas pipe.

## 10 Inspection and maintenance

### 10.1 Observing inspection and maintenance intervals

- ▶ Adhere to the minimum inspection and maintenance intervals. The inspection may require maintenance to be carried out earlier, depending on the results.  
Inspection and maintenance work – Overview (→ Page 24)

### 10.2 Procuring spare parts

The original components of the product were also certified as part of the declaration of conformity. If you do not use certified Glow-worm original spare parts for maintenance or repair work, this voids the conformity of the product. We therefore strongly recommend that you install Glow-worm original spare parts. Information about available Glow-worm original spare parts is available by contacting the contact address provided on the reverse of this document.

- ▶ If you require spare parts for maintenance or repair work, use only Glow-worm original spare parts.

## 10 Inspection and maintenance

### 10.3 Removing the gas-air mixture unit

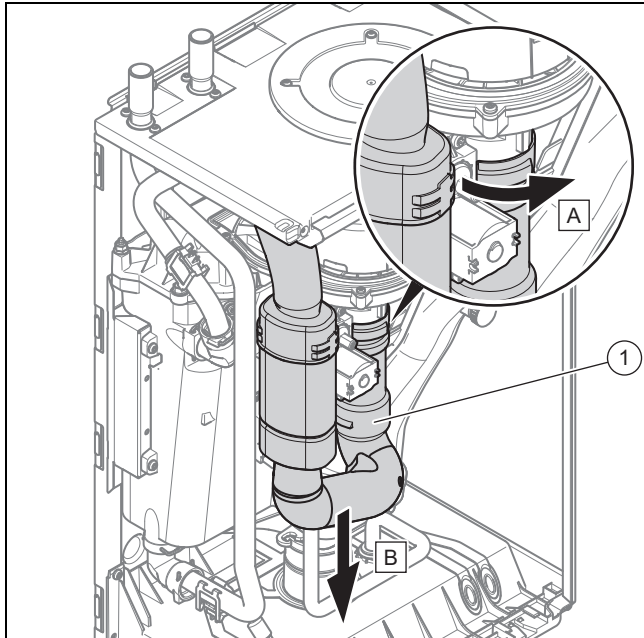


**Note**

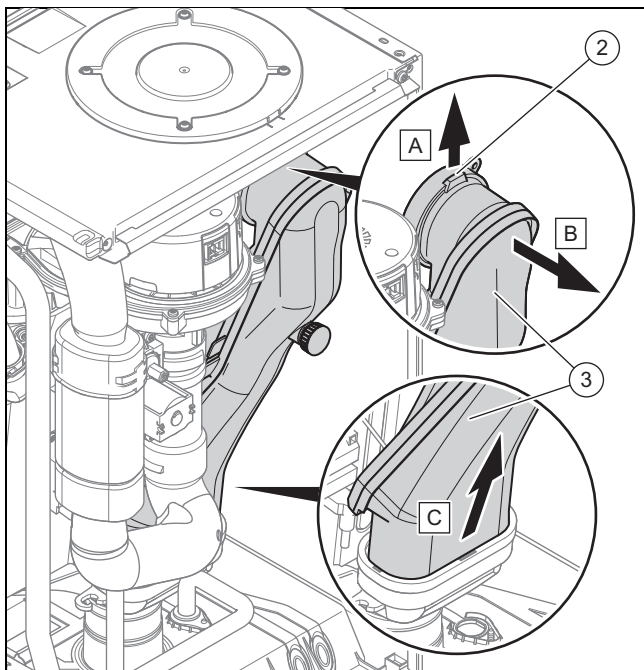
The gas-air mixture unit consists of three main components:

- Ventilator
- Gas valve
- Burner cover

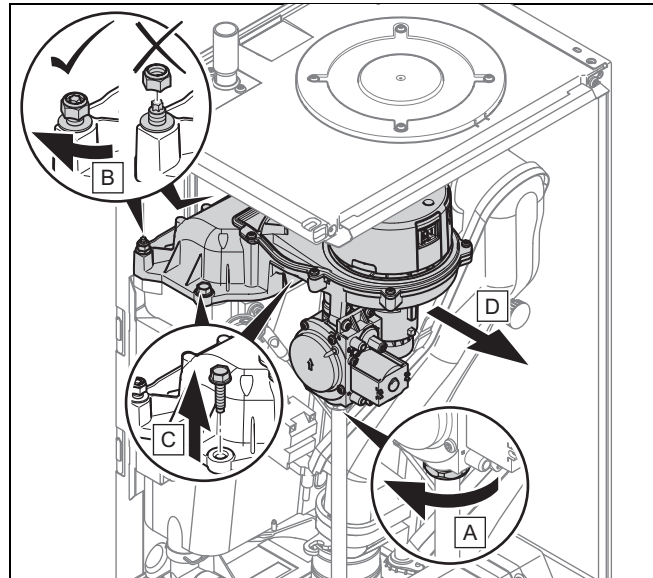
1. Switch off the product via the main switch.
2. Close the gas isolator cock.
3. Remove the front casing. (→ Page 10)



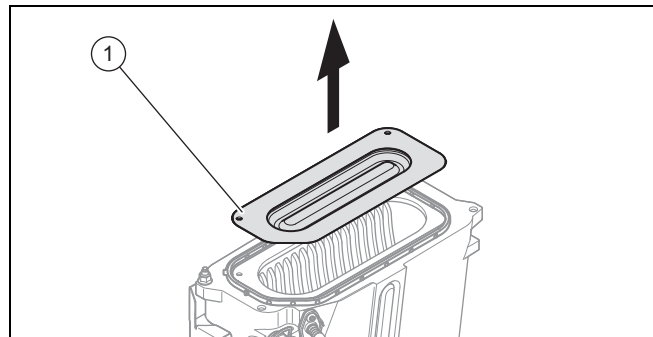
4. Remove the air intake pipe (1).



5. Push the clip (2) upwards.
6. Remove the flue pipe (3).



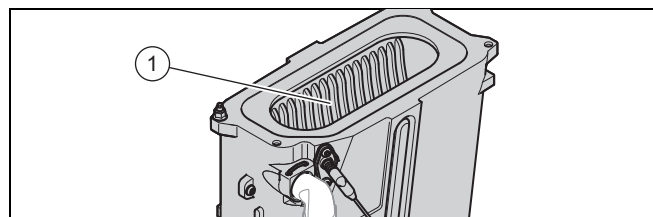
7. Remove the plugs from the gas valve.
8. Remove the gas-air mixture unit.
9. Remove both burner seals from the burner cover.



10. Remove the burner (4).

### 10.4 Cleaning the heat exchanger

1. Check the heat exchanger for damage and dirt.
2. If required, clean and replace the heat exchanger.

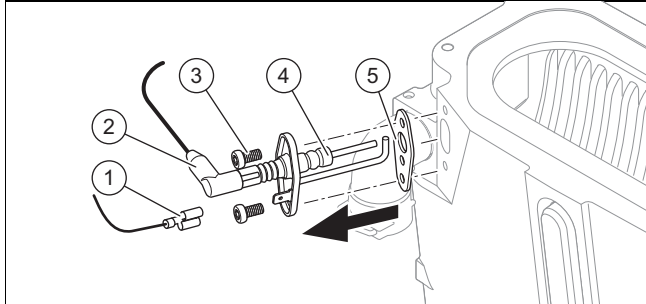


3. Protect the folded down electronics box against sprayed water.
4. Clean the ribs of the heat exchanger (1) with water.
  - ◁ The water runs out via the condensate tray.

## 10.5 Checking the burner

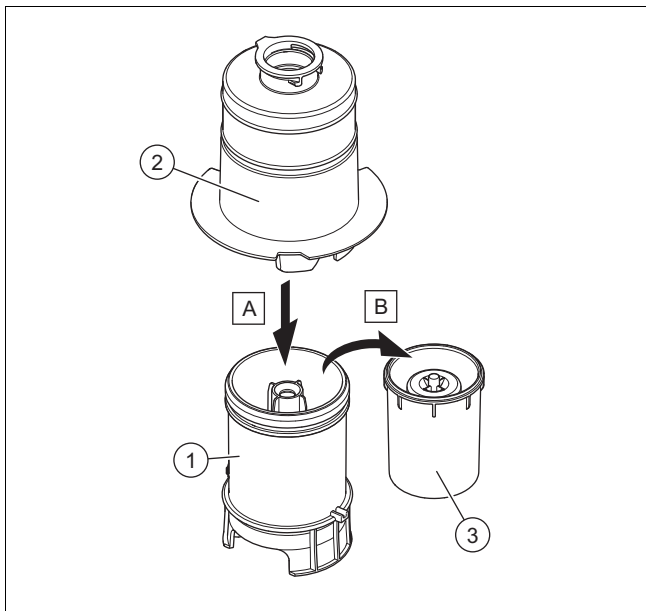
- ▶ Check the surface of the burner for damage. If you see any damage, replace the burner.

## 10.6 Checking the ignition electrode



1. Disconnect the connection (2) and the earthing cable (1).
2. Remove the fixing screws (3).
3. Carefully remove the electrode from the combustion chamber.
4. Check that the electrode ends (4) are undamaged.
5. Check the electrode distance.
  - Clearance for the ignition electrodes: 3.5 ... 4.5 mm
6. Make sure that the seal (5) is free from damage.
  - ▽ If necessary, replace the seal.

## 10.7 Cleaning the condensate siphon



1. Unclip the lower section of the siphon (1) from the upper section of the siphon (2).
2. Remove the float (3).
3. Flush out the lower section of the siphon with water.
4. Reinsert the float (3).



### Note

Check whether the float is present in the condensate siphon.

5. Clip the lower section of the siphon (1) into the upper section of the siphon (2).

## 10.8 Installing the gas-air mixture unit

1. Install the burner.
2. Install two new burner seals in the burner cover.
3. Install the gas-air mixture unit.
4. Install the flue pipe.
5. Install the air intake pipe.

## 10.9 Draining the product

1. Close the service valves of the product.
2. Start check programme P.05 (→ Page 15).  
Check programmes – Overview (→ Page 24)
3. Open the drain valves.

## 10.10 Completing inspection and maintenance work

1. Check the gas connection pressure (gas flow pressure). (→ Page 17)
2. Check the CO<sub>2</sub> content. (→ Page 18)

# 11 Troubleshooting

## 11.1 Rectifying faults

- ▶ If fault codes (F.XX) are present, refer to the table in the appendix for advice or use the check programme(s).  
Overview of fault codes (→ Page 29)  
Check programmes – Overview (→ Page 24)

If several faults are present at the same time, the fault codes are displayed alternately followed by the time at which the respective fault occurred.

- ▶ Hold the button down for more than 3 seconds.
- ▶ If you are unable to clear the fault code and it reappears despite several fault clearance attempts, contact customer service.

## 11.2 Calling up the fault memory

The last ten fault codes are stored in the fault memory (together with the time at which the respective fault occurred).

- ▶ Press and hold the button for more than seven seconds.  
Overview of fault codes (→ Page 29)
- ▶ Press the button to exit this menu.

## 11.3 Deleting the fault memory

- ▶ Delete the fault memory (d.94).  
Overview of diagnostics codes (→ Page 25)

# 11 Troubleshooting

## 11.4 Preparing the repair work

1. Decommission the product.
2. Disconnect the product from the power mains.
3. Remove the front casing.
4. Close the gas isolator cock.
5. Close the service valves in the heating flow and in the heating return.
6. Close the service valve in the cold water pipe.
7. Drain the product if you want to replace water-bearing components of the product.
8. Make sure that water does not drip on live components (e.g. the electronics box).
9. Use only new seals.

## 11.5 Replacing defective components

### 11.5.1 Replacing the burner

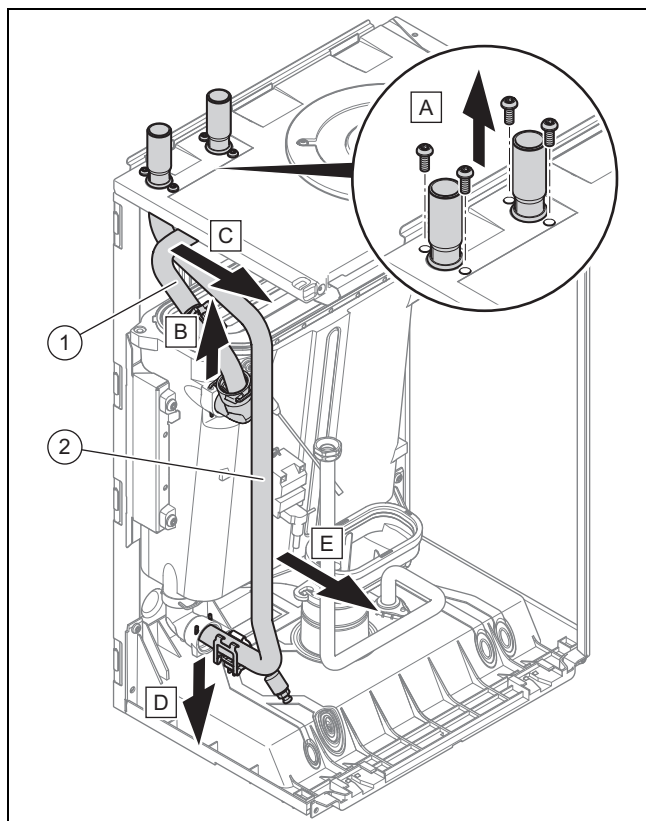
1. Remove the gas-air mixture unit. (→ Page 20)
2. Remove the burner seal.
3. Remove the burner.
4. Install the new burner complete with new seal on the heat exchanger.
5. Install the gas-air mixture unit. (→ Page 21)

### 11.5.2 Replacing the gas-air mixture unit

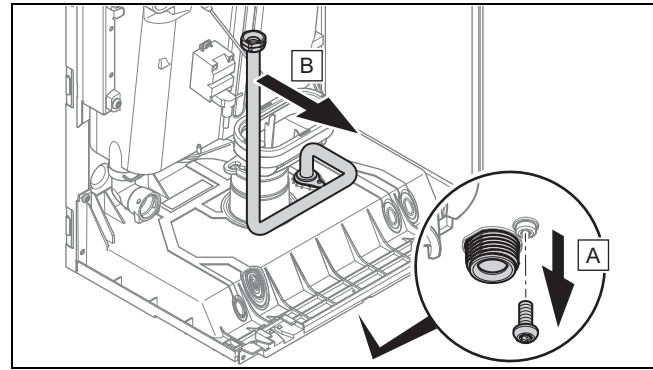
1. Remove the gas-air mixture unit. (→ Page 20)
2. Install the new gas-air mixture (→ Page 21).

### 11.5.3 Replacing the heat exchanger

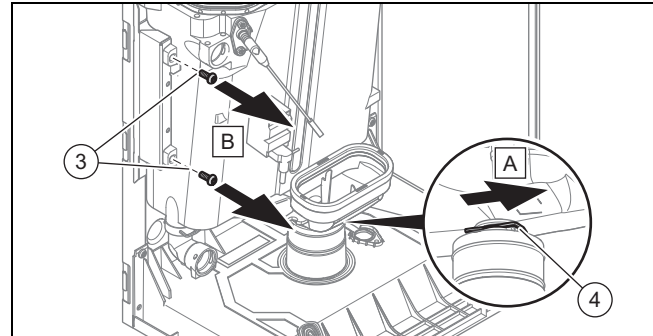
1. Remove the side section. (→ Page 10)
2. Remove the gas-air mixture unit. (→ Page 20)



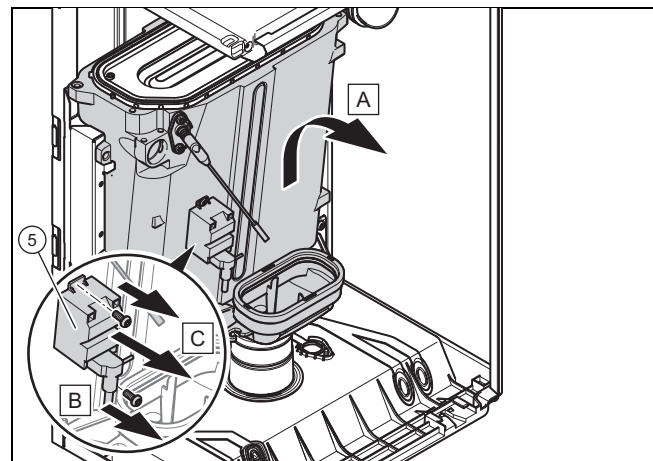
3. Remove the flow pipe (1).
4. Remove the return pipe (2).



5. Remove the gas pipe.



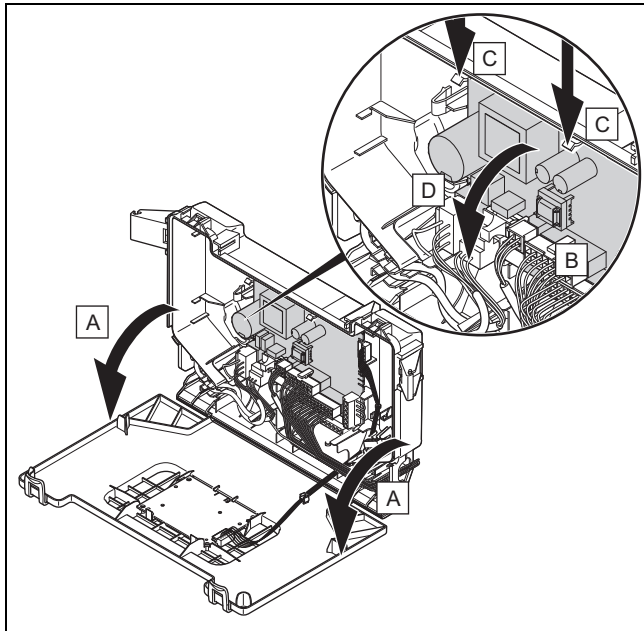
6. Undo the clip underneath the condensate tray (4).
7. Undo the two screws (3).



8. Lift the heat exchanger up slightly and remove it together with the condensate tray.
9. Remove the ignition transformer (5).
10. Replace all the seals.
11. Install the new heat exchanger in reverse order.

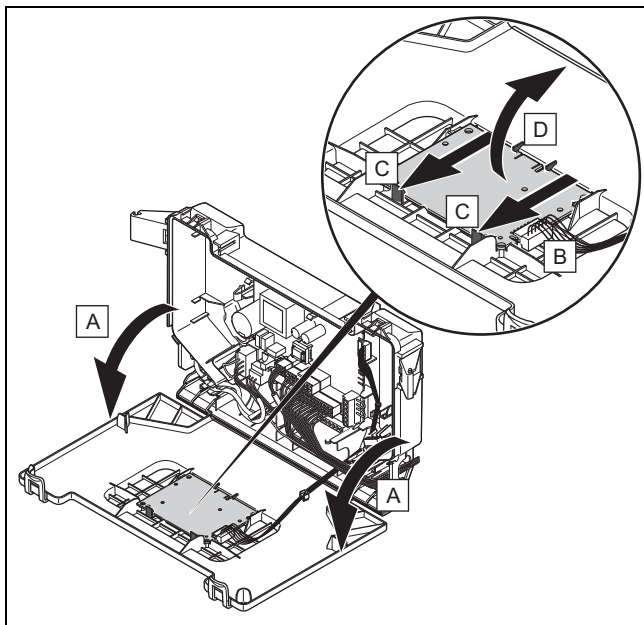
## Decommissioning the product 12

### 11.5.4 Replacing the main PCB



1. Open the electronics box. (→ Page 13)
2. Pull all of the plugs out from the PCB.
3. Undo the clips on the PCB.
4. Remove the PCB.
5. Install the new PCB in such a way that it clicks into the groove at the bottom and into the clip at the top.
6. Plug in the PCB plugs.
7. Close the electronics box.

### 11.5.5 Replacing the PCB for the user interface



1. Open the electronics box. (→ Page 13)
2. Pull the plug out of the PCB.
3. Undo the clips on the PCB.
4. Remove the PCB.
5. Install the new PCB in such a way that it clicks into the groove at the bottom and into the clip at the top.
6. Plug in the PCB plug.
7. Close the electronics box.

### 11.6 Completing repair work

- ▶ Check that the product functions correctly and is leak-tight (→ Page 19).

## 12 Decommissioning the product

- ▶ Switch off the product.
- ▶ Disconnect the product from the power mains.
- ▶ Close the gas isolator cock.
- ▶ Close the cold water stop valve.
- ▶ Drain the product. (→ Page 21)

## 13 Customer service

For contact details for our customer service department, you can write to the address that is provided on the back page, or you can visit [www.glow-worm.co.uk](http://www.glow-worm.co.uk).

## Appendix

### Appendix

#### A Inspection and maintenance work – Overview

The table below lists the manufacturer requirements with respect to minimum inspection and maintenance intervals. If national regulations and directives require shorter inspection and maintenance intervals, you should observe these instead of the intervals listed in the table.

No.	Work	Inspection (annual)	Maintenance (at least every 2 years)
1	Check the air/flue pipe for leak-tightness and to ensure that it is fastened correctly. Make sure that it is not blocked or damaged and has been installed in accordance with the relevant Installation Manual.	X	X
2	Check the general condition of the product. Remove dirt from the product and from the vacuum chamber.	X	X
3	Visually inspect the general condition of the entire heating cell and, in particular, check for signs of corrosion, soot or other damage. If you notice any damage, carry out maintenance work.	X	X
4	Check the gas connection pressure at maximum heat input. If the gas connection pressure is not within the correct range, carry out maintenance work.	X	X
5	Check the CO <sub>2</sub> content (the air ratio) of the product and, if necessary, adjust it. Keep a record of this.	X	X
6	Disconnect the product from the power mains. Check that the electrical plug connections and other connections are seated correctly and correct these if necessary.	X	X
7	Close the gas isolator cock and the service valves.	X	X
8	Drain the product on the water side.		X
9	Remove the gas-air mixture unit.		X
10	Check the seals in the combustion area. If you see any damage, replace the seals. Replace the burner seal <b>each time</b> it is opened and accordingly <b>each time</b> maintenance is carried out.		X
11	Clean the heat exchanger.		X
12	Check the burner for damage and replace it if necessary.		X
13	Check the condensate siphon in the product, clean and fill if necessary.	X	X
14	Install the gas-air mixture unit. <b>Caution: Replace the seals.</b>		X
15	Open the gas isolator cock, reconnect the product to the power mains and switch the product on.	X	X
16	Open the service valves, fill the product/heating installation.		X
17	Perform a test operation of the product and heating installation, including hot water generation, and purge the system once more if necessary.	X	X
18	Visually inspect the ignition and burner behaviour.	X	X
19	Check the CO <sub>2</sub> content (the air ratio) of the product again.		X
20	Check the product for gas, flue gas, hot water and condensate leaks, and repair if necessary.	X	X
21	Record the inspection/maintenance work carried out.	X	X

#### B Check programmes – Overview



##### Note

Since the programme table is used for various products, some programmes may not be visible for the product in question.

Display	Meaning
P.01	Start up the burner at the adjustable heat input: The product is operated after a successful ignition with the set heat input between "0" (0% = Pmin) and "100" (100% = Pmax). The function is activated for 15 minutes.
P.02	Start up the burner at ignition load: The product is operated at ignition load after successful ignition. The function is activated for 15 minutes.



Display	Meaning
P.03	The product runs in heating mode with the maximum heat input set using diagnostics code d.00.
P.04	Maximum output function: If there is a hot water request, the product runs in hot water handling mode with maximum heat input. If there is no hot water request, the product runs in heating mode with the heating partial load that is set using diagnostics code d.00. The function is activated for 15 minutes.
P.05	Filling the product: The diverter valve is moved to the mid-position. The burner and pump are switched off (to fill or drain the product). If the pressure is lower than 0.05 MPa (0.5 bar) and then is above 0.07 MPa (0.7 bar) for longer than 15 seconds, the automatic purging function is activated. The function is activated for 15 minutes.
P.06	Purging the heating circuit: The diverter valve is moved to the heating position. The function is activated in the heating circuit for 15 minutes. The pump runs and stops at regular intervals. If required, this function can be manually switched off.
P.07	Purging the hot water circuit: The function is activated in the small hot water circuit for 4 minutes and then in the heating circuit for 1 minute. The pump runs and stops at regular intervals. If required, this function can be manually switched off.
P.10	Safety cut-out check
Automatic purging function	Purging the product: If the pressure is lower than 0.05 MPa (0.5 bar) and then is above 0.07 MPa (0.7 bar) for longer than 15 seconds, the automatic purging function is activated. The function is activated in the small hot water circuit for 4 minutes and then in the heating circuit for 1 minute. This function cannot be manually switched off.

## C Overview of diagnostics codes

Setting level	Values		Unit	Increment, select, explanation	Default setting	Own setting
	Min.	Max.				
<b>d.00 Heating maximum output</b>	–	–	kW	The maximum heating output varies depending on the product. → Section "Technical data"	→ Section "Technical data"	Adjustable
<b>d.01 Pump overrun in heating mode</b>	1	60	min	1	5	Adjustable
<b>d.02 Burner anti-cycling time in heating mode</b>	2	60	min	1	20	Adjustable
<b>d.04 Water temperature in the cylinder</b>	Current value		°C	–	–	Not adjustable
<b>d.05 Determined heating flow set target temperature</b>	Current value		°C	–	–	Not adjustable
<b>d.07 Set target temperature for the domestic hot water cylinder</b>	Current value		°C	–	–	Not adjustable
<b>d.08 Status of the 230 V thermostat</b>	Current value		–	0 = Room thermostat open (no heat requirement) 1 = Room thermostat closed (heat requirement)	–	Not adjustable
<b>d.09 Heating flow set target temperature that is set on the eBUS room thermostat</b>	Current value		–	–	–	Not adjustable
<b>d.10 Status of the internal pump in the heating circuit</b>	Current value		–	off / on	–	Not adjustable
<b>d.11 Status of the heating circuit's shunt pump</b>	Current value		–	off / on	–	Not adjustable

## Appendix

Setting level	Values		Unit	Increment, select, explanation	Default setting	Own setting
	Min.	Max.				
<b>d.13 Status of the hot water circuit's circulation pump</b>	Current value		–	off / on	–	Not adjustable
<b>d.16 Status of the 24 V room thermostat</b>	Current value		–	off = Heating off on = Heating on	–	Not adjustable
<b>d.17 Heating control</b>	–	–	–	off = Flow temperature on = Return temperature (adjustment for underfloor heating. If you have activated the return temperature control, the automatic heating output determination function is not active.)	0	Adjustable
<b>d.18 Pump overrun operating mode</b>	1	3	–	1 = Comfort (continuously operating pump) 3 = Eco (intermittent pump mode – for the dissipation of the residual heat after hot water generation at an extremely low heat demand)	1	Adjustable
<b>d.20 Maximum hot water set target temperature</b>	50	60	°C	1	50	Adjustable
<b>d.23 Status of the heating demand</b>	Current value		–	off = Heating off (Summer mode) on = Heating on	–	Not adjustable
<b>d.24 Status of the pressure monitor</b>	0	1	–	off = Not switched on = Switched	–	Not adjustable
<b>d.25 Status of the requirement to reheat the cylinder or for the hot water warm start from the eBUS thermostat</b>	Current value		–	off = Function deactivated on = Function activated	–	Not adjustable
<b>d.27 Function of relay 1 (multi-functional module)</b>	1	10	–	1 = Circulation pump 2 = External pump 3 = Cylinder charging pump 4 = Extractor hood 5 = External solenoid valve 6 = External fault message 7 = Solar pump (omitted) 8 = eBUS remote control 9 = Legionella protection pump 10 = Solar valve	1	Adjustable
<b>d.28 Function of relay 2 (multi-functional module)</b>	1	10	–	1 = Circulation pump 2 = External pump 3 = Cylinder charging pump 4 = Extractor hood 5 = External solenoid valve 6 = External fault message 7 = Solar pump (omitted) 8 = eBUS remote control 9 = Legionella protection pump 10 = Solar valve	2	Adjustable
<b>d.31 Automatic filling device</b>	0	2	–	0 = Manual 1 = Semi-automatic 2 = Automatic	0	Adjustable
<b>d.33 Fan speed target value</b>	Current value		rpm	Fan speed = Display value x 100	–	Not adjustable
<b>d.34 Value for the fan speed</b>	Current value		rpm	Fan speed = Display value x 100	–	Not adjustable
<b>d.40 Heating flow temperature</b>	Current value		°C	–	–	Not adjustable
<b>d.41 Heating return temperature</b>	Current value		°C	–	–	Not adjustable
<b>d.43 Heating curve</b>	0.2	4	–	0.1	1.2	Adjustable

Setting level	Values		Unit	Increment, select, explanation	Default setting	Own setting
	Min.	Max.				
d.45 Value for the base point of the heating curve	15	30	–	1	20	Adjustable
d.47 Outside temperature	Current value		°C	–	–	Not adjustable
d.50 Correction of the minimum fan speed	0	3000	rpm	1 Fan speed = Display value x 10	600	Adjustable
d.51 Correction of the maximum fan speed	-2500	0	rpm	1 Fan speed = Display value x 10	-1000	Adjustable
d.58 Solar circuit reheating	0	3	–	0 = Boiler's Legionella protection function deactivated 3 = Hot water activated (target value min. 60 °C)	0	Adjustable
d.60 Number of blocks by the temperature sensor	Current value		–	–	–	Not adjustable
d.61 Number of successful ignitions	Current value		–	–	–	Not adjustable
d.62 Night set-back	0	30	–	1	0	Adjustable
d.64 Average burner ignition time	Current value		s	–	–	Not adjustable
d.65 Maximum burner ignition time	Current value		s	–	–	Not adjustable
d.66 Activation of the warm start function for hot water	–	–	–	off = Function deactivated on = Function activated	1	Adjustable
d.67 Remaining burner anti-cycling time (setting under d.02)	Current value		min	–	–	Not adjustable
d.68 Number of unsuccessful ignitions at 1st attempt	Current value		–	–	–	Not adjustable
d.69 Number of unsuccessful ignitions at 2nd attempt	Current value		–	–	–	Not adjustable
d.71 Maximum heating flow set target temperature	45	80	°C	1	75	Adjustable
d.75 Maximum cylinder reheating time	20	90	min	1	45	Adjustable
d.77 Max. cylinder reheating	–	–	kW	1 → Section "Technical data"	–	Adjustable
d.78 DHW max. flow temperature	50	80	°C	1	–	Adjustable
d.80 Running time in heating mode	Current value		h	–	–	Not adjustable
d.81 Running time in DHW mode	Current value		h	–	–	Not adjustable
d.82 Number of burner ignitions in heating mode	Current value		–	Number of ignitions = Display value x 100	–	Not adjustable
d.83 Number of burner ignitions in DHW mode	Current value		–	Number of ignitions = Display value x 100	–	Not adjustable
d.84 Maintenance in	0	3000	h	Number of hours = Display value x 10	300	Not adjustable
d.85 Increase in the min. output (heating and DHW mode)	–	–	kW	1 → Section "Technical data"	–	Adjustable
d.90 Status of the eBUS room thermostat	Current value		–	off = Not connected on = Connected	–	Not adjustable
d.93 Setting the product code	0	99	–	1	–	Adjustable
d.94 Delete fault list	0	1	–	off = No on = Yes	–	Adjustable

## Appendix

Setting level	Values		Unit	Increment, select, explanation	Default setting	Own setting
	Min.	Max.				
d.95 Software versions	–	–	–	1 = Main PCB 2 = Interface PCB	–	Adjustable
d.96 Reset to factory setting	–	–	–	0 = No 1 = Yes	–	Adjustable
d.128 Heating minimum target value	10	75	°C	1	10	Adjustable
d.129 Hot water minimum target value	35 (combination unit) 45 (pure boiler)	60	°C	1	35	Adjustable

### D Status codes – Overview

Status code	Meaning
<b>Displays in heating mode</b>	
S. 0	Heating mode: No requirement
S.01	Heating mode: Advance fan operation
S.02	Heating mode: Pump pre-run
S.03	Heating mode: Burner ignition
S.04	Heating mode: Burner on
S.05	Heating mode: Pump/fan overrun
S.06	Heating mode: Fan overrun
S.07	Heating mode: Pump overrun
S.08	Heating mode: Temporary shutdown after heating procedure
<b>Display in hot water handling mode with cylinder</b>	
S.20	Hot water handling mode: Requirement
S.21	Hot water handling mode: Advance fan operation
S.22	Hot water handling mode: Pump pre-run
S.23	Hot water handling mode: Burner ignition
S.24	DHW mode: Burner on
S.25	DHW mode: Pump/fan overrun
S.26	DHW mode: Fan overrun
S.27	DHW mode: Pump overrun
S.28	Hot water handling mode: Temporary shutdown of the burner
<b>Other displays</b>	
S.30	Room thermostat is blocking heating mode.
S.31	No heating demand: Summer mode, eBUS controller, waiting period
S.32	Fan waiting time: Fan speed outside of the tolerance values
S.34	Frost protection active
S.39	Underfloor heating contact open
S.42	Flue non-return flap closed
S.46	Frost protection mode (Comfort): Minimum load
S.53	Product in waiting period/operation block function due to low water pressure (flow/return spread too large)
S.54	Waiting period: Low water pressure in the circuit (flow/return spread too large)
S.88	Product purging active
S.91	Maintenance: Demo mode
S.96	Automatic test programme: Return temperature sensor, heating demands blocked.

Status code	Meaning
S.98	Automatic test programme: Return temperature sensor, heating demands blocked.
S.99	Internal automatic test programmes
S.108	Purging the combustion chamber, fan in operation
S.109	Product's standby mode activated

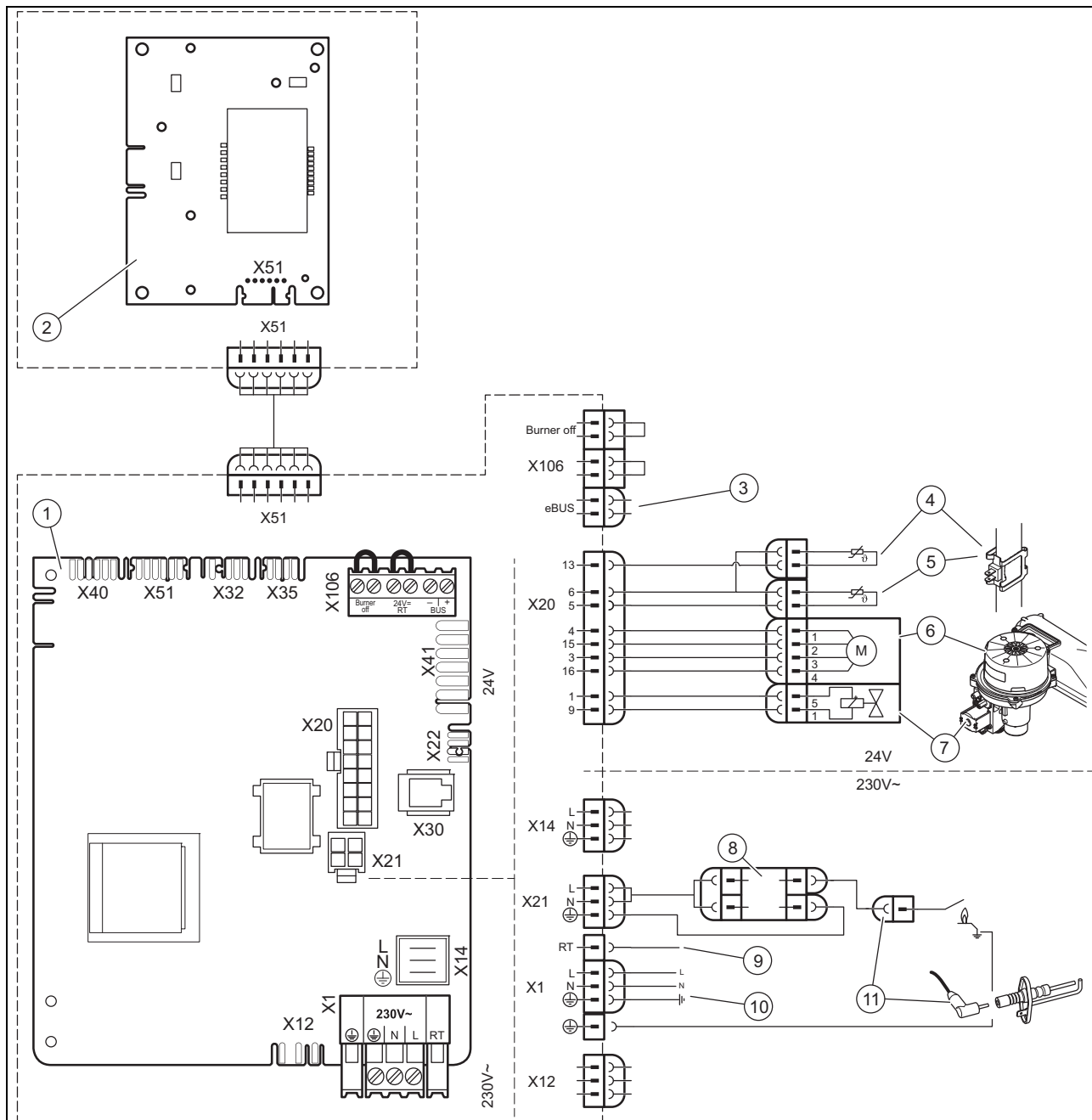
## E Overview of fault codes

Fault code	Meaning	Possible cause
F.00	Fault: Flow temperature sensor	NTC plug not plugged in or has come loose, multiple plug on the PCB not plugged in correctly, interruption in cable harness, NTC sensor defective
F.01	Fault: Return temperature sensor	NTC plug not plugged in or has come loose, multiple plug on the PCB not plugged in correctly, interruption in cable harness, NTC sensor defective
F.10	Short circuit: Flow temperature sensor	NTC sensor defective, short circuit in the cable harness, cable/casing
F.11	Short circuit: Return temperature sensor	NTC sensor defective, short circuit in the cable harness, cable/casing
F.12 and F.91	Short circuit: Cylinder temperature sensor	NTC sensor defective, short circuit in the cable harness, cable/casing
F.13	Short circuit: Domestic hot water cylinder temperature sensor	NTC sensor defective, short circuit in the cable harness, cable/casing
F.20	Safety switch-off: Overheating temperature reached	Incorrect earth connection between cable harness and product, flow or return NTC defective (loose connection), black discharge via ignition cable, ignition plug or ignition electrode
F.23	Safety switch-off: Temperature difference too great (NTC1/NTC2)	Pump blocked, insufficient pump output, air in product, flow and return NTC sensors connected the wrong way round
F.24	Safety switch-off: Temperature rise too fast	Pump blocked, insufficient pump output, air in product, system pressure too low, non-return valve blocked/incorrectly installed
F.25	Safety switch-off: Flue gas temperature too high	Break in plug connection for optional flue gas safety temperature limiter (STB), break in cable harness
F.27	Safety switch-off: Fault in flame detection	Moisture on the electronics, electronics (flame monitor) defective, gas solenoid valve leaking
F.28	Fault: Ignition unsuccessful when starting up	Gas meter defective or gas pressure monitor has triggered, air in gas, gas flow pressure too low, thermal isolator device (TAE) has triggered, incorrect gas restrictor, incorrect spare gas valve, fault on the gas valve, multiple plug on PCB incorrectly plugged in, break in cable harness, ignition system (ignition transformer, ignition cable, ignition plug, ignition electrode) defective, ionisation current interrupted (cable, electrode), incorrect earthing of product, electronics defective
F.29	Fault: Flame loss	Gas supply temporarily stopped, flue gas recirculation, incorrect earthing of product, ignition transformer has spark failure
F.32	Fan frost protection function active: Fan speed outside the tolerance values	Plug on fan not correctly plugged in, multiple plug on PCB not correctly plugged in, break in cable harness, fan blocked, Hall sensor defective, electronics defective
F.33	Fan frost protection function active: Air pressure switch fault	Pressure monitor has not switched or has switched at a fan speed value that is too high (insufficient air supply) Pressure monitor plug not correctly plugged in, pressure monitor defective, hose removed from between the pressure monitor and silencer, air/flue pipe blocked
F.49	eBUS fault: Voltage too low	Short circuit on eBUS, eBUS overload or two power supplies with different polarities on the eBUS
F.61	Fault: Gas valve control system	Short circuit/short to earth in cable harness for the gas valve, gas valve defective (coils shorted to earth), electronics defective
F.62	Fault: Gas valve switch-off control	Delayed switch-off of gas valve, delayed extinguishing of flame signal, gas valve leaking, electronics defective
F.63	Fault: EEPROM	Electronics defective
F.64	Fault: Electronics/sensor/analogue-to-digital converter	Flow or return NTC short circuited, electronics defective
F.65	Fault: Electronics temperature too high	Electronics overheating due to external influences, electronics defective

## Appendix

Fault code	Meaning	Possible cause
<b>F.67</b>	Value sent back by ASIC is incorrect (flame signal)	Implausible flame signal, electronics defective
<b>F.68</b>	Fault: Unstable flame (analogue input)	Air in gas, gas flow pressure too low, incorrect air ratio, incorrect gas restrictor, ionisation flow interruption (cable, electrode)
<b>F.70</b>	Invalid product code (DSN)	Display and PCB replaced at same time and Device Specific Number not reset, wrong or missing output range coding resistance
<b>F.71</b>	Fault: Flow/return temperature sensor	Flow temperature sensor signalling constant value: Flow temperature sensor incorrectly positioned on supply pipe, flow temperature sensor defective
<b>F.72</b>	Fault: Deviation in the water pressure sensor/return temperature sensor	Flow/return NTC temperature difference too great → flow and/or return temperature sensor defective
<b>F.77</b>	Fault: Condensate or smoke	No response, flue non-return flap defective
<b>F.78</b>	Interruption to DHW outlet sensor at external controller	UK link box is connected, but hot water NTC not bridged
<b>F.83</b>	Fault: Burner temperature sensor	Burner temperature sensor is defective When the burner starts, the temperature change registered at the flow or return temperature sensor is non-existent or too small: Insufficient water in the product, the flow or return temperature sensor is not in the correct position on the pipe
<b>F.84</b>	Fault: Flow/return temperature sensor	Values not consistent, difference < -6 K Flow and return temperature sensors signalling implausible values: Flow and return temperature sensors have been inverted, flow and return temperature sensors have not been correctly installed
<b>F.85</b>	Fault: Temperature sensor	The flow and/or return temperature sensors have been installed on the same pipe/incorrect pipe Temperature sensor not connected or is connected incorrectly
<b>F.86</b>	Fault: Underfloor heating contact	Underfloor heating contact open, sensor disconnected or defective
<b>F.87</b>	Fault: Electrodes	Electrodes not connected or they are connected incorrectly, short circuit in the cable harness
<b>F.88</b>	Fault: Gas valve	Gas valve not connected or it is connected incorrectly, short circuit in the cable harness
Connection	No communication between the PCB and the user interface	Electronics defective

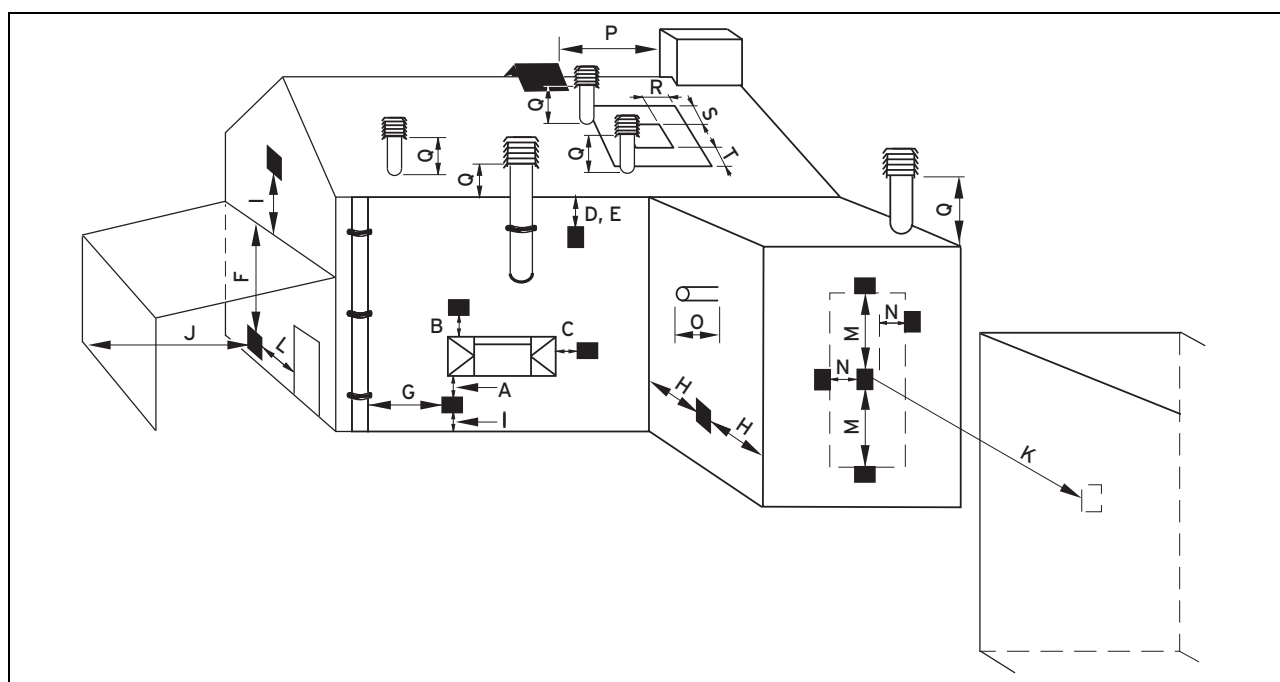
F Connection diagram



- |   |  |    |                      |
|---|--|----|----------------------|
| 1 | Main PCB                                 | 7  | Gas valve            |
| 2 | Interface PCB                            | 8  | Monitoring electrode |
| 3 | Control system                           | 9  | Room thermostat      |
| 4 | Temperature sensor in the heating flow   | 10 | Main power supply    |
| 5 | Temperature sensor in the heating return | 11 | Ignition electrode   |
| 6 | Fan                                      |    |                      |

## Appendix

### G Opening in the flue pipe



#### G.1 Positioning of the opening of a fan-supported flue gas pipe

	Installation site	Minimum dimensions
A	Directly below an opening, air bricks, opening windows, etc., that can be opened.	300 mm
B	Above an opening, air bricks, opening windows, etc., that can be opened.	300 mm
C	Horizontally to an opening, air bricks, opening windows, etc., that can be opened.	300 mm
D	Below temperature-sensitive building components, e.g. plastic gutters, down pipes or wastewater pipes	75 mm
E	Below eaves	200 mm
F	Below balconies or car port roofs	200 mm
G	From vertical wastewater pipes or down pipes	150 mm
H	From external or internal corners	200 mm
I	Above floors, roofs or balconies	300 mm
J	From a surface facing a terminal	600 mm
K	From a terminal facing a terminal	1,200 mm
L	From an opening in the car port (e.g. door, window) which leads into the dwelling	1,200 mm
M	Vertical from a terminal on the same wall	1,500 mm
N	Horizontal from a terminal on the same wall	300 mm
O	From the wall on which the terminal has been installed	0 mm
P	From a vertical structure on the roof	N/A
Q	Above the roof area	300 mm
R	Horizontal from adjacent windows on pitched or flat roofs	600 mm
S	Above adjacent windows on pitched or flat roofs	600 mm
T	Below adjacent windows on pitched or flat roofs	2,000 mm

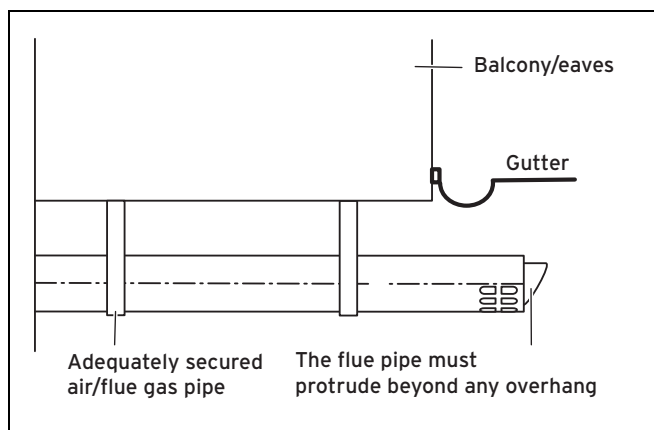


## G.2 Text from BS 5440-1 on fan-supported flue gas pipes

BS 5440-1: It is recommended that the fanned flue gas system terminal is positioned as follows:

- At least 2 m from an opening in the building directly opposite, and
- So that the combustion products are not discharged directly across a property boundary.
- Dimensions D, E, F and G: These clearances may be reduced to 25 mm without affecting the performance of the boiler. In order to ensure that the condensate vapour plume does not damage adjacent surfaces, the terminal should be extended as shown.
- Dimension H: This clearance may be reduced to 25 mm without adversely affecting the performance of the boiler. However, in order to ensure that the condensate vapour plume does not damage adjacent surfaces, a clearance of 300 mm is preferred. For IE, recommendations are given in the current issue of the IS 813.

## G.3 Opening of the flue pipe below eaves and balconies



### H Commissioning Checklist

## Benchmark Commissioning and Servicing Section

It is a requirement that the boiler is installed and commissioned to the manufacturers instructions and the data fields on the commissioning checklist completed in full.

To instigate the boiler guarantee the boiler needs to be registered with the manufacturer within one month of the installation.

To maintain the boiler guarantee it is essential that the boiler is serviced annually by a Gas Safe registered engineer who has been trained on the boiler installed. The service details should be recorded on the Benchmark Service Interval Record and left with the householder.



[www.centralheating.co.uk](http://www.centralheating.co.uk)

**GAS BOILER SYSTEM COMMISSIONING CHECKLIST**

This Commissioning Checklist is to be completed in full by the competent person who commissioned the boiler as a means of demonstrating compliance with the appropriate Building Regulations and then handed to the customer to keep for future reference.

Failure to install and commission according to the manufacturer's instructions and complete this Benchmark Commissioning Checklist will invalidate the warranty. This does not affect the customer's statutory rights.

Customer name:	Telephone number:
Address:	
Boiler make and model:	
Boiler serial number:	
Commissioned by (PRINT NAME):	Gas Safe register number:
Company name:	Telephone number:
Company address:	
Commissioning date:	

**To be completed by the customer on receipt of a Building Regulations Compliance Certificate\***

Building Regulations Notification Number (if applicable):

CONTROLS (tick the appropriate boxes)			
Time and temperature control to heating	Room thermostat and programmer/timer		Programmable room thermostat
	Load/weather compensation		Optimum start control
Time and temperature control to hot water	Cylinder thermostat and programmer/timer		Combination Boiler
Heating zone valves	Fitted		Not required
Hot water zone valves	Fitted		Not required
Thermostatic radiator valves	Fitted		Not required
Automatic bypass to system	Fitted		Not required
Boiler interlock			Provided

ALL SYSTEMS			
The system has been flushed and cleaned in accordance with BS7593 and boiler manufacturer's instructions	Yes		
What system cleaner was used?			
What inhibitor was used?	Quantity	litres	
Has a primary water system filter been installed?	Yes	No	

CENTRAL HEATING MODE measure and record:			
Gas rate	m <sup>3</sup> /hr	OR	ft <sup>3</sup> /hr
Burner operating pressure (if applicable)	mbar	OR Gas inlet pressure	mbar
Central heating flow temperature	°C		
Central heating return temperature	°C		

COMBINATION BOILERS ONLY			
Is the installation in a hard water area (above 200ppm)?	Yes	No	
If yes, and if required by the manufacturer, has a water scale reducer been fitted?	Yes	No	
What type of scale reducer has been fitted?			

DOMESTIC HOT WATER MODE Measure and Record:			
Gas rate	m <sup>3</sup> /hr	OR	ft <sup>3</sup> /hr
Burner operating pressure (at maximum rate)	mbar	OR Gas inlet pressure at maximum rate	mbar
Cold water inlet temperature	°C		
Hot water has been checked at all outlets	Yes	Temperature	°C
Water flow rate	l/min		

CONDENSING BOILERS ONLY	
The condensate drain has been installed in accordance with the manufacturer's instructions and/or BS5546/BS6798	Yes

ALL INSTALLATIONS					
Record the following:	At max. rate:	CO	ppm	AND	CO/CO <sub>2</sub> Ratio
	At min. rate: (where possible)	CO	ppm	AND	CO/CO <sub>2</sub> Ratio
The heating and hot water system complies with the appropriate Building Regulations	Yes				
The boiler and associated products have been installed and commissioned in accordance with the manufacturer's instructions	Yes				
The operation of the boiler and system controls have been demonstrated to and understood by the customer	Yes				
The manufacturer's literature, including Benchmark Checklist and Service Record, has been explained and left with the customer	Yes				

Commissioning Engineer's Signature
Customer's Signature
(To confirm satisfactory demonstration and receipt of manufacturer's literature)

\*All installations in England and Wales must be notified to Local Authority Building Control (LABC) either directly or through a Competent Persons Scheme. A Building Regulations Compliance Certificate will then be issued to the customer.



# Appendix

## SERVICE RECORD

It is recommended that your heating system is serviced regularly and that the appropriate Service Interval Record is completed.

### Service Provider

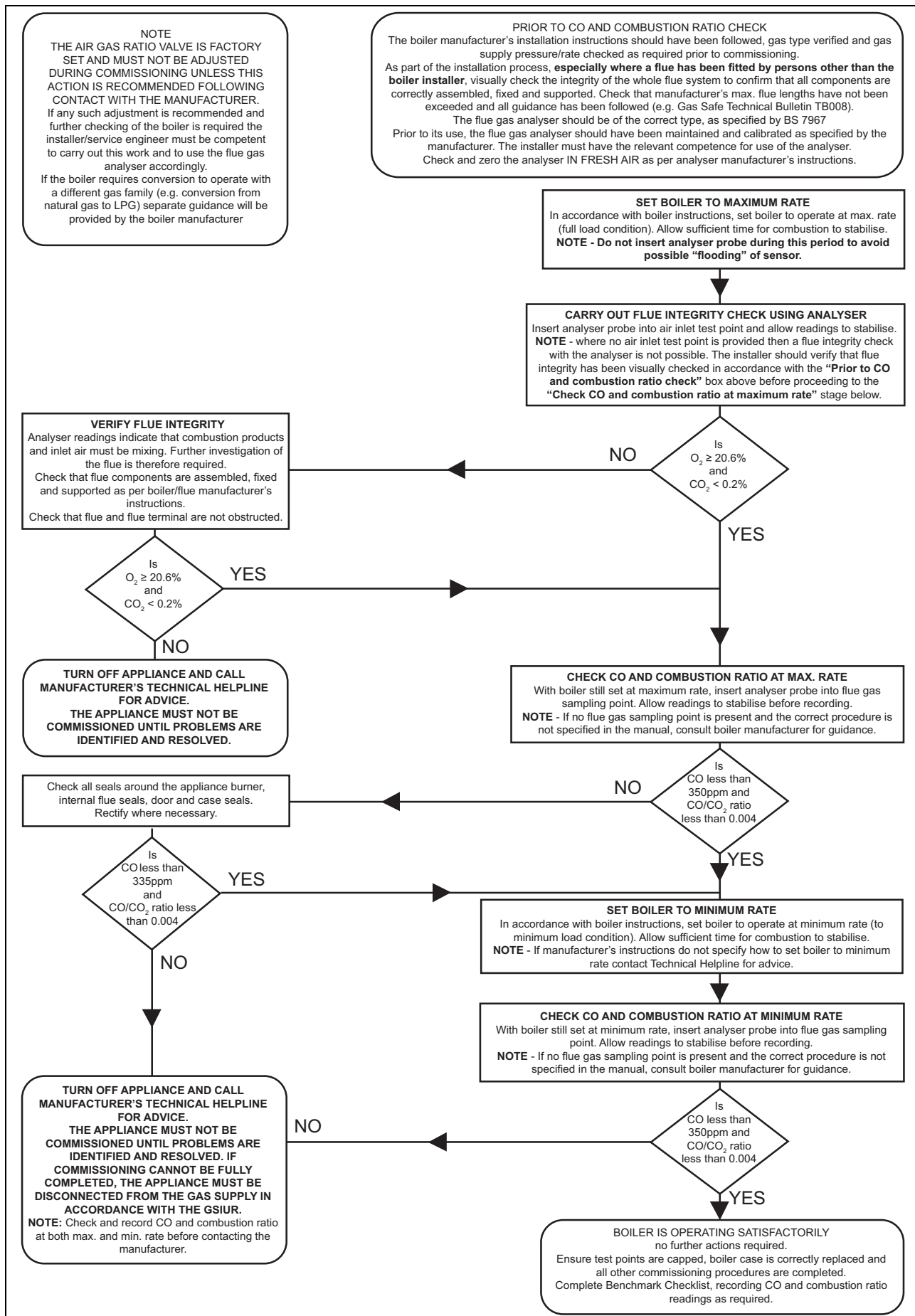
Before completing the appropriate Service Record below, please ensure you have carried out the service as described in the manufacturer's instructions. Always use the manufacturer's specified spare part when replacing controls.

<table border="1" style="width: 100%; border-collapse: collapse;"> <tr> <td colspan="2"><b>SERVICE 01</b></td> <td colspan="2">Date:</td> </tr> <tr> <td colspan="4">Engineer name:</td> </tr> <tr> <td colspan="4">Company name:</td> </tr> <tr> <td colspan="4">Telephone No:</td> </tr> <tr> <td colspan="4">Gas safe register No:</td> </tr> <tr> <td>Record:</td> <td>At max. rate:</td> <td>CO ppm</td> <td>AND CO<sub>2</sub> %</td> </tr> <tr> <td></td> <td>At min. rate: (Where Possible)</td> <td>CO ppm</td> <td>AND CO<sub>2</sub> %</td> </tr> <tr> <td colspan="4">Comments:</td> </tr> <tr> <td colspan="4">Signature</td> </tr> </table>	<b>SERVICE 01</b>		Date:		Engineer name:				Company name:				Telephone No:				Gas safe register No:				Record:	At max. rate:	CO ppm	AND CO <sub>2</sub> %		At min. rate: (Where Possible)	CO ppm	AND CO <sub>2</sub> %	Comments:				Signature				<table border="1" style="width: 100%; border-collapse: collapse;"> <tr> <td colspan="2"><b>SERVICE 02</b></td> <td colspan="2">Date:</td> </tr> <tr> <td colspan="4">Engineer name:</td> </tr> <tr> <td colspan="4">Company name:</td> </tr> <tr> <td colspan="4">Telephone No:</td> </tr> <tr> <td colspan="4">Gas safe register No:</td> </tr> <tr> <td>Record:</td> <td>At max. rate:</td> <td>CO ppm</td> <td>AND CO<sub>2</sub> %</td> </tr> <tr> <td></td> <td>At min. rate: (Where Possible)</td> <td>CO ppm</td> <td>AND CO<sub>2</sub> %</td> </tr> <tr> <td colspan="4">Comments:</td> </tr> <tr> <td colspan="4">Signature</td> </tr> </table>	<b>SERVICE 02</b>		Date:		Engineer name:				Company name:				Telephone No:				Gas safe register No:				Record:	At max. rate:	CO ppm	AND CO <sub>2</sub> %		At min. rate: (Where Possible)	CO ppm	AND CO <sub>2</sub> %	Comments:				Signature			
<b>SERVICE 01</b>		Date:																																																																							
Engineer name:																																																																									
Company name:																																																																									
Telephone No:																																																																									
Gas safe register No:																																																																									
Record:	At max. rate:	CO ppm	AND CO <sub>2</sub> %																																																																						
	At min. rate: (Where Possible)	CO ppm	AND CO <sub>2</sub> %																																																																						
Comments:																																																																									
Signature																																																																									
<b>SERVICE 02</b>		Date:																																																																							
Engineer name:																																																																									
Company name:																																																																									
Telephone No:																																																																									
Gas safe register No:																																																																									
Record:	At max. rate:	CO ppm	AND CO <sub>2</sub> %																																																																						
	At min. rate: (Where Possible)	CO ppm	AND CO <sub>2</sub> %																																																																						
Comments:																																																																									
Signature																																																																									
<table border="1" style="width: 100%; border-collapse: collapse;"> <tr> <td colspan="2"><b>SERVICE 03</b></td> <td colspan="2">Date:</td> </tr> <tr> <td colspan="4">Engineer name:</td> </tr> <tr> <td colspan="4">Company name:</td> </tr> <tr> <td colspan="4">Telephone No:</td> </tr> <tr> <td colspan="4">Gas safe register No:</td> </tr> <tr> <td>Record:</td> <td>At max. rate:</td> <td>CO ppm</td> <td>AND CO<sub>2</sub> %</td> </tr> <tr> <td></td> <td>At min. rate: (Where Possible)</td> <td>CO ppm</td> <td>AND CO<sub>2</sub> %</td> </tr> <tr> <td colspan="4">Comments:</td> </tr> <tr> <td colspan="4">Signature</td> </tr> </table>	<b>SERVICE 03</b>		Date:		Engineer name:				Company name:				Telephone No:				Gas safe register No:				Record:	At max. rate:	CO ppm	AND CO <sub>2</sub> %		At min. rate: (Where Possible)	CO ppm	AND CO <sub>2</sub> %	Comments:				Signature				<table border="1" style="width: 100%; border-collapse: collapse;"> <tr> <td colspan="2"><b>SERVICE 04</b></td> <td colspan="2">Date:</td> </tr> <tr> <td colspan="4">Engineer name:</td> </tr> <tr> <td colspan="4">Company name:</td> </tr> <tr> <td colspan="4">Telephone No:</td> </tr> <tr> <td colspan="4">Gas safe register No:</td> </tr> <tr> <td>Record:</td> <td>At max. rate:</td> <td>CO ppm</td> <td>AND CO<sub>2</sub> %</td> </tr> <tr> <td></td> <td>At min. rate: (Where Possible)</td> <td>CO ppm</td> <td>AND CO<sub>2</sub> %</td> </tr> <tr> <td colspan="4">Comments:</td> </tr> <tr> <td colspan="4">Signature</td> </tr> </table>	<b>SERVICE 04</b>		Date:		Engineer name:				Company name:				Telephone No:				Gas safe register No:				Record:	At max. rate:	CO ppm	AND CO <sub>2</sub> %		At min. rate: (Where Possible)	CO ppm	AND CO <sub>2</sub> %	Comments:				Signature			
<b>SERVICE 03</b>		Date:																																																																							
Engineer name:																																																																									
Company name:																																																																									
Telephone No:																																																																									
Gas safe register No:																																																																									
Record:	At max. rate:	CO ppm	AND CO <sub>2</sub> %																																																																						
	At min. rate: (Where Possible)	CO ppm	AND CO <sub>2</sub> %																																																																						
Comments:																																																																									
Signature																																																																									
<b>SERVICE 04</b>		Date:																																																																							
Engineer name:																																																																									
Company name:																																																																									
Telephone No:																																																																									
Gas safe register No:																																																																									
Record:	At max. rate:	CO ppm	AND CO <sub>2</sub> %																																																																						
	At min. rate: (Where Possible)	CO ppm	AND CO <sub>2</sub> %																																																																						
Comments:																																																																									
Signature																																																																									
<table border="1" style="width: 100%; border-collapse: collapse;"> <tr> <td colspan="2"><b>SERVICE 05</b></td> <td colspan="2">Date:</td> </tr> <tr> <td colspan="4">Engineer name:</td> </tr> <tr> <td colspan="4">Company name:</td> </tr> <tr> <td colspan="4">Telephone No:</td> </tr> <tr> <td colspan="4">Gas safe register No:</td> </tr> <tr> <td>Record:</td> <td>At max. rate:</td> <td>CO ppm</td> <td>AND CO<sub>2</sub> %</td> </tr> <tr> <td></td> <td>At min. rate: (Where Possible)</td> <td>CO ppm</td> <td>AND CO<sub>2</sub> %</td> </tr> <tr> <td colspan="4">Comments:</td> </tr> <tr> <td colspan="4">Signature</td> </tr> </table>	<b>SERVICE 05</b>		Date:		Engineer name:				Company name:				Telephone No:				Gas safe register No:				Record:	At max. rate:	CO ppm	AND CO <sub>2</sub> %		At min. rate: (Where Possible)	CO ppm	AND CO <sub>2</sub> %	Comments:				Signature				<table border="1" style="width: 100%; border-collapse: collapse;"> <tr> <td colspan="2"><b>SERVICE 06</b></td> <td colspan="2">Date:</td> </tr> <tr> <td colspan="4">Engineer name:</td> </tr> <tr> <td colspan="4">Company name:</td> </tr> <tr> <td colspan="4">Telephone No:</td> </tr> <tr> <td colspan="4">Gas safe register No:</td> </tr> <tr> <td>Record:</td> <td>At max. rate:</td> <td>CO ppm</td> <td>AND CO<sub>2</sub> %</td> </tr> <tr> <td></td> <td>At min. rate: (Where Possible)</td> <td>CO ppm</td> <td>AND CO<sub>2</sub> %</td> </tr> <tr> <td colspan="4">Comments:</td> </tr> <tr> <td colspan="4">Signature</td> </tr> </table>	<b>SERVICE 06</b>		Date:		Engineer name:				Company name:				Telephone No:				Gas safe register No:				Record:	At max. rate:	CO ppm	AND CO <sub>2</sub> %		At min. rate: (Where Possible)	CO ppm	AND CO <sub>2</sub> %	Comments:				Signature			
<b>SERVICE 05</b>		Date:																																																																							
Engineer name:																																																																									
Company name:																																																																									
Telephone No:																																																																									
Gas safe register No:																																																																									
Record:	At max. rate:	CO ppm	AND CO <sub>2</sub> %																																																																						
	At min. rate: (Where Possible)	CO ppm	AND CO <sub>2</sub> %																																																																						
Comments:																																																																									
Signature																																																																									
<b>SERVICE 06</b>		Date:																																																																							
Engineer name:																																																																									
Company name:																																																																									
Telephone No:																																																																									
Gas safe register No:																																																																									
Record:	At max. rate:	CO ppm	AND CO <sub>2</sub> %																																																																						
	At min. rate: (Where Possible)	CO ppm	AND CO <sub>2</sub> %																																																																						
Comments:																																																																									
Signature																																																																									
<table border="1" style="width: 100%; border-collapse: collapse;"> <tr> <td colspan="2"><b>SERVICE 07</b></td> <td colspan="2">Date:</td> </tr> <tr> <td colspan="4">Engineer name:</td> </tr> <tr> <td colspan="4">Company name:</td> </tr> <tr> <td colspan="4">Telephone No:</td> </tr> <tr> <td colspan="4">Gas safe register No:</td> </tr> <tr> <td>Record:</td> <td>At max. rate:</td> <td>CO ppm</td> <td>AND CO<sub>2</sub> %</td> </tr> <tr> <td></td> <td>At min. rate: (Where Possible)</td> <td>CO ppm</td> <td>AND CO<sub>2</sub> %</td> </tr> <tr> <td colspan="4">Comments:</td> </tr> <tr> <td colspan="4">Signature</td> </tr> </table>	<b>SERVICE 07</b>		Date:		Engineer name:				Company name:				Telephone No:				Gas safe register No:				Record:	At max. rate:	CO ppm	AND CO <sub>2</sub> %		At min. rate: (Where Possible)	CO ppm	AND CO <sub>2</sub> %	Comments:				Signature				<table border="1" style="width: 100%; border-collapse: collapse;"> <tr> <td colspan="2"><b>SERVICE 08</b></td> <td colspan="2">Date:</td> </tr> <tr> <td colspan="4">Engineer name:</td> </tr> <tr> <td colspan="4">Company name:</td> </tr> <tr> <td colspan="4">Telephone No:</td> </tr> <tr> <td colspan="4">Gas safe register No:</td> </tr> <tr> <td>Record:</td> <td>At max. rate:</td> <td>CO ppm</td> <td>AND CO<sub>2</sub> %</td> </tr> <tr> <td></td> <td>At min. rate: (Where Possible)</td> <td>CO ppm</td> <td>AND CO<sub>2</sub> %</td> </tr> <tr> <td colspan="4">Comments:</td> </tr> <tr> <td colspan="4">Signature</td> </tr> </table>	<b>SERVICE 08</b>		Date:		Engineer name:				Company name:				Telephone No:				Gas safe register No:				Record:	At max. rate:	CO ppm	AND CO <sub>2</sub> %		At min. rate: (Where Possible)	CO ppm	AND CO <sub>2</sub> %	Comments:				Signature			
<b>SERVICE 07</b>		Date:																																																																							
Engineer name:																																																																									
Company name:																																																																									
Telephone No:																																																																									
Gas safe register No:																																																																									
Record:	At max. rate:	CO ppm	AND CO <sub>2</sub> %																																																																						
	At min. rate: (Where Possible)	CO ppm	AND CO <sub>2</sub> %																																																																						
Comments:																																																																									
Signature																																																																									
<b>SERVICE 08</b>		Date:																																																																							
Engineer name:																																																																									
Company name:																																																																									
Telephone No:																																																																									
Gas safe register No:																																																																									
Record:	At max. rate:	CO ppm	AND CO <sub>2</sub> %																																																																						
	At min. rate: (Where Possible)	CO ppm	AND CO <sub>2</sub> %																																																																						
Comments:																																																																									
Signature																																																																									
<table border="1" style="width: 100%; border-collapse: collapse;"> <tr> <td colspan="2"><b>SERVICE 09</b></td> <td colspan="2">Date:</td> </tr> <tr> <td colspan="4">Engineer name:</td> </tr> <tr> <td colspan="4">Company name:</td> </tr> <tr> <td colspan="4">Telephone No:</td> </tr> <tr> <td colspan="4">Gas safe register No:</td> </tr> <tr> <td>Record:</td> <td>At max. rate:</td> <td>CO ppm</td> <td>AND CO<sub>2</sub> %</td> </tr> <tr> <td></td> <td>At min. rate: (Where Possible)</td> <td>CO ppm</td> <td>AND CO<sub>2</sub> %</td> </tr> <tr> <td colspan="4">Comments:</td> </tr> <tr> <td colspan="4">Signature</td> </tr> </table>	<b>SERVICE 09</b>		Date:		Engineer name:				Company name:				Telephone No:				Gas safe register No:				Record:	At max. rate:	CO ppm	AND CO <sub>2</sub> %		At min. rate: (Where Possible)	CO ppm	AND CO <sub>2</sub> %	Comments:				Signature				<table border="1" style="width: 100%; border-collapse: collapse;"> <tr> <td colspan="2"><b>SERVICE 10</b></td> <td colspan="2">Date:</td> </tr> <tr> <td colspan="4">Engineer name:</td> </tr> <tr> <td colspan="4">Company name:</td> </tr> <tr> <td colspan="4">Telephone No:</td> </tr> <tr> <td colspan="4">Gas safe register No:</td> </tr> <tr> <td>Record:</td> <td>At max. rate:</td> <td>CO ppm</td> <td>AND CO<sub>2</sub> %</td> </tr> <tr> <td></td> <td>At min. rate: (Where Possible)</td> <td>CO ppm</td> <td>AND CO<sub>2</sub> %</td> </tr> <tr> <td colspan="4">Comments:</td> </tr> <tr> <td colspan="4">Signature</td> </tr> </table>	<b>SERVICE 10</b>		Date:		Engineer name:				Company name:				Telephone No:				Gas safe register No:				Record:	At max. rate:	CO ppm	AND CO <sub>2</sub> %		At min. rate: (Where Possible)	CO ppm	AND CO <sub>2</sub> %	Comments:				Signature			
<b>SERVICE 09</b>		Date:																																																																							
Engineer name:																																																																									
Company name:																																																																									
Telephone No:																																																																									
Gas safe register No:																																																																									
Record:	At max. rate:	CO ppm	AND CO <sub>2</sub> %																																																																						
	At min. rate: (Where Possible)	CO ppm	AND CO <sub>2</sub> %																																																																						
Comments:																																																																									
Signature																																																																									
<b>SERVICE 10</b>		Date:																																																																							
Engineer name:																																																																									
Company name:																																																																									
Telephone No:																																																																									
Gas safe register No:																																																																									
Record:	At max. rate:	CO ppm	AND CO <sub>2</sub> %																																																																						
	At min. rate: (Where Possible)	CO ppm	AND CO <sub>2</sub> %																																																																						
Comments:																																																																									
Signature																																																																									

\*All installations in England and Wales must be notified to Local Authority Building Control (LABC) either directly or through a Competent Persons Scheme. A Building Regulations Compliance Certificate will then be issued to the customer.



I Combustion chart



## Appendix

### J Technical data

#### Technical data – Heating

	SUSTAIN 12r -A (H-GB)	SUSTAIN 15r -A (H-GB)	SUSTAIN 18r -A (H-GB)
Max. flow temperature adjustment range (default setting: 75 °C)	10 ... 80 °C	10 ... 80 °C	10 ... 80 °C
Maximum permissible pressure	0.3 MPa (3.0 bar)	0.3 MPa (3.0 bar)	0.3 MPa (3.0 bar)
Nominal water flow ( $\Delta T = 20$ K)	530 l/h	655 l/h	788 l/h
Nominal water flow ( $\Delta T = 30$ K)	353 l/h	436 l/h	525 l/h
Approximate value for the condensate volume (pH value between 3.5 and 4.0) at 50/30 °C	1.23 l/h	1.53 l/h	1.84 l/h

#### Technical data – G20 power/loading G20

	SUSTAIN 12r -A (H-GB)	SUSTAIN 15r -A (H-GB)	SUSTAIN 18r -A (H-GB)
Maximum heat output	12 kW	15 kW	18 kW
Effective output range (P) at 40/30 °C	4.8 ... 13.0 kW	4.8 ... 16.2 kW	5.3 ... 19.5 kW
Effective output range (P) at 50/30 °C	4.7 ... 12.8 kW	4.7 ... 15.9 kW	5.2 ... 19.1 kW
Effective output range (P) at 80/60 °C	4.5 ... 12.3 kW	4.5 ... 15.2 kW	5.0 ... 18.3 kW
Domestic hot water heat output (P)	4.4 ... 15.0 kW	4.4 ... 18.0 kW	4.9 ... 25.2 kW
Maximum heat input – heating (Q max.)	12.3 kW	15.3 kW	18.4 kW
Minimum heat input – heating (Q min.)	4.5 kW	4.5 kW	5.0 kW
Maximum heat input – hot water (Q max.)	15.3 kW	18.4 kW	25.7 kW
Minimum heat input – hot water (Q min.)	4.5 kW	4.5 kW	5.0 kW

#### Technical data – General

	SUSTAIN 12r -A (H-GB)	SUSTAIN 15r -A (H-GB)	SUSTAIN 18r -A (H-GB)
Gas category	I <sub>2H</sub>	I <sub>2H</sub>	I <sub>2H</sub>
Diameter of the gas pipe	1/2 inch	1/2 inch	1/2 inch
Diameter of the heating connections	3/4 inch	3/4 inch	3/4 inch
Expansion relief valve connector (min.)	15 mm	15 mm	15 mm
Condensate drain pipework (min.)	21.5 mm	21.5 mm	21.5 mm
G20 gas supply pressure	2.0 kPa	2.0 kPa	2.0 kPa
Gas flow at P max. – hot water (G20)	1.6 m <sup>3</sup> /h	1.9 m <sup>3</sup> /h	2.7 m <sup>3</sup> /h
Gas flow at P max. – heating mode (G20)	1.3 m <sup>3</sup> /h	1.6 m <sup>3</sup> /h	1.9 m <sup>3</sup> /h
Gas flow at P min. (G20)	0.480 m <sup>3</sup> /h	0.480 m <sup>3</sup> /h	0.533 m <sup>3</sup> /h
CE number (PIN)	CE-0063CP3646	CE-0063CP3646	CE-0063CP3646
Flue gas mass rate in heating mode at P min.	2.08 g/s	2.08 g/s	2.31 g/s
Flue gas mass rate in heating mode at P max.	5.5 g/s	6.9 g/s	8.3 g/s

	SUSTAIN 12r -A (H-GB)	SUSTAIN 15r -A (H-GB)	SUSTAIN 18r -A (H-GB)
Flue gas mass rate in hot water handling mode at P max.	6.9 g/s	8.3 g/s	11.6 g/s
Flue gas temperature (80 °C/60 °C) at P max.	55 °C	55 °C	60 °C
Flue gas temperature (80 °C/60 °C) at P min.	55 °C	55 °C	55 °C
Flue gas temperature (50 °C/30 °C) at P max.	43 °C	48 °C	51 °C
Flue gas temperature (50 °C/30 °C) at P min.	32 °C	32 °C	34 °C
Flue gas temperature in hot water handling mode	71 °C	71 °C	69 °C
Flue gas temperature when over-heating	105 °C	105 °C	105 °C
Released system types	C13, C33, C43, C53	C13, C33, C43, C53	C13, C33, C43, C53
Nominal efficiency at 80/60 °C	99.6 %	99.6 %	99.6 %
Nominal efficiency at 50/30 °C	104.0 %	104.0 %	104.0 %
Nominal efficiency at 40/30 °C	106.0 %	106.0 %	106.0 %
Nominal efficiency in partial load operation (30%) at 40/30 °C	108.5 %	108.5 %	108.5 %
NOx class	5	5	5
Product dimensions, width	375 mm	375 mm	375 mm
Product dimensions, depth	280 mm	280 mm	280 mm
Product dimensions, height	600 mm	600 mm	600 mm
Net weight	22 kg	22 kg	22 kg
Weight when filled with water	26 kg	26 kg	26 kg

#### Technical data – Electrics

	SUSTAIN 12r -A (H-GB)	SUSTAIN 15r -A (H-GB)	SUSTAIN 18r -A (H-GB)
Electric connection	230 V / 50 Hz	230 V / 50 Hz	230 V / 50 Hz
Built-in fuse (slow-blow)	T2/2A, 250V	T2/2A, 250V	T2/2A, 250V
Max. electrical power consumption	65 W	65 W	66 W
Standby electrical power consumption	2 W	2 W	2 W
Level of protection	IPX4D	IPX4D	IPX4D

# Index

## Index

### A

Air index setting .....	18
Air/flue pipe .....	12
Air/flue pipe, installed .....	4
Article number .....	7

### B

Burner anti-cycling time .....	19
--------------------------------	----

### C

Calling up the fault memory .....	21
Carrying out	
Gas family check .....	16
CE label .....	7
Check programmes .....	15, 24
Checking the burner .....	21
Checking the CO <sub>2</sub> content .....	18
Cleaning the condensate siphon .....	21
Cleaning the heat exchanger .....	20
Combustion air .....	4
Completing inspection work .....	21
Completing maintenance work .....	21
Completing repair work .....	23
Completing, repair work .....	23
Condensate drain pipework .....	12
Controller .....	14
Corrosion .....	4

### D

Decommissioning .....	23
Decommissioning the product .....	23
Diagnostics codes .....	15
Documents .....	7
Draining the product .....	21

### E

Electricity .....	4
-------------------	---

### F

Fault codes .....	21
Filling the condensate siphon .....	17
Flue gas route .....	4
Front casing, closed .....	4
Frost .....	5

### G

Gas family check	
Carrying out .....	16

### H

Handing over to the operator .....	19
------------------------------------	----

### I

Identification plate .....	7
If you smell gas .....	3
Inspection work .....	19, 24
Installation site .....	4
Installing the front casing .....	10
Installing the side section .....	10
Intended use .....	3

### M

Mains connection .....	14
Maintenance work .....	19, 24
Minimum clearance .....	9

### P

Power supply .....	14
Preparing the repair work .....	22
Preparing, repair work .....	22

### R

Regulations .....	5
Removing the air intake pipe .....	20
Removing the burner .....	20
Removing the flue pipe .....	20
Removing the gas-air mixture unit .....	20
Removing the side section .....	10
Replacing the burner .....	22
Replacing the heat exchanger .....	22
Replacing the main PCB .....	23
Resetting the burner anti-cycling time .....	19

### S

Safety device .....	4
Schematic drawing .....	4
Serial number .....	7
Setting the burner anti-cycling time .....	19
Setting the CO <sub>2</sub> content .....	18
Spare parts .....	19
Supply of combustion air .....	4
Switching on the product .....	17

### T

Tool .....	5
Transport .....	3
Transporting .....	8
Treating the heating water .....	16

### U

Unloading the box .....	8
Unpacking the product .....	8
User interface, replacing the PCB .....	23

### V

Voltage .....	4
---------------	---

### W

Wall-mounting the product .....	9
Weight .....	9









**Publisher/manufacturer**

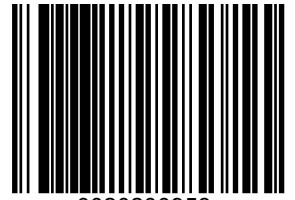
**Glow-worm**

Nottingham Road – Belper – Derbyshire DE56 1JQ

Telephone 016 34 29 23 00 – Fax 016 34 29 01 66

Technical helpline 084 4 736 00 59 – After sales service 017 73 82 81 00

[www.glow-worm.co.uk](http://www.glow-worm.co.uk)



0020200958

0020200958\_00 - 16.06.2015 11:23:47

We reserve the right to make technical changes.

**Glow•worm**  
The energy you need