

Betacom₃

Technical product guide



Betacom₃

The Betacom₃ is the ErP A rated, great value combi boiler from Glow-worm.

Designed and manufactured at Glow-worm's industry-leading facilities in Belper, Derbyshire, the straightforward, value combi boiler range is easy to use & install and supported with a FREE 2 year warranty.*

The Betacom₃ combi boiler is available in a choice of 24kW and 30kW models, and features an in-built Grundfos pump and a high grade aluminium heat exchanger for proven reliability and performance.

Glow-worm's Betacom₃ combi boiler comes complete with a simple to use analogue timer. Standard horizontal and vertical flue options are also available in straightforward and easy to order packs.

Installation and servicing are made straightforward, with an LCD display using standard Glow-worm diagnostics, and easy access to both 24v and 230v wiring compartments.



*When registered through Club Energy



Exclusive product range

Caters for popular heat output demands and system requirements



High quality automotive grade aluminium heat exchanger

Designed to last longer, easy to maintain, ultra quiet and reduces customers' energy bills.



Modern bright LCD display

Modern bright LCD display making it easy to change and confirm settings wherever it is installed.



High Efficiency modulating Grundfos pump

Lower running costs as pump adapts to actual heating and hot water demand.



ErP A rated

New high efficiency boiler range with A rated label to meet ErP legislation. Comes with online labelling tool for installers.



Compatible with full range of Glow-worm controls including the MiGo app based control for added efficiency.



Supported by **clubenergy**

Full suite of support tools including instant Gas Safe notifications, access to extended warranties and the Plumbing Toolbox app making installation and administration easier.



Guaranteed for 2 years

2 year parts & labour guarantee comes as standard when registered through Club Energy, with options to extend.



2 year warranty with option to extend*



ErP A rated



Ultra quiet operation



Easy to install and service



*when installed through Club Energy

Product Features & Benefits

- High efficiency, ErP A rated boiler
- Available in 24 & 30kW models offering 10.0 & 12.4l/min
- UK manufactured at Glow-worm's industry-leading facilities
- High grade aluminium heat exchanger for proven and reliable performance
- Grundfos pump with daily pump exercise programme
- LCD display to provide straightforward installer and homeowner interface
- Compatible with Glow-worm's full range of flues & accessories
- Inbuilt filling loop
- Compatible with Glow-worm's range of intelligent controls including the popular MiGo app based control
- Easy to use & install with 2 year warranty* with option to extend when registered through Club Energy
- Telescopic flue option available
- Ø60/100 and Ø80/125 flue options available
- Wide range of accessories available including spacing frame and pipe cover plate
- Plume Management kit compatible

Betacom₃ combi boiler

Betacom₃ is a highly efficient combi boiler with a choice of 24 or 30 kW outputs for instant hot water and heating. Betacom₃ comes with a simple inbuilt analogue timer and is also compatible with the full range of Glow-worm controls including the popular MiGo app based control, making it easy to set the heating programme required and run in the most efficient way to meet heating & hot water demands.

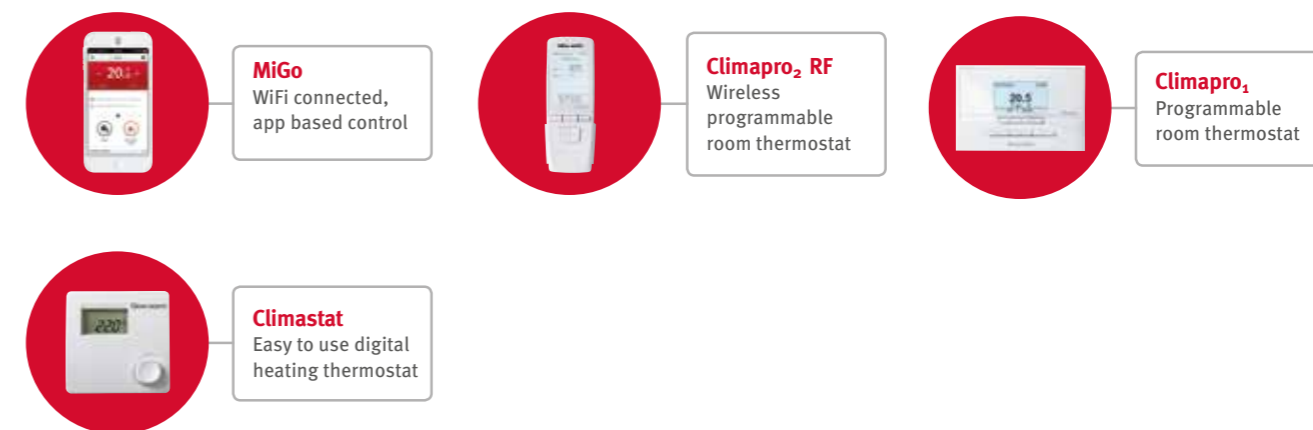
Developed using automotive grade aluminium the Betacom₃ heat exchanger is a high quality, high efficiency product that makes the boiler not only light to install but also easy to maintain. This means lower costs, more reliability and the Betacom₃ is backed by a 2 year guarantee with an extended warranty option available from your Glow-worm Club Energy installer.



Betacom ₃ combi boiler	24kW	30kW
Article number	0010020341	0010020342
Casing dimensions (h w d)	740mm x 418mm x 300mm	740mm x 418mm x 300mm
DHW flow rate storage/combi (l/min, 35°C rise)	10.0	12.4
60/100 Flue Length		
Horizontal	10m	10m
Vertical	10m	10m
SEDBUK 2009 annual efficiency (%)	89.2	89.2
ErP Rating Heating	A	A
ErP Rating DHW	A	A

Accessories

Betacom₃ comes complete with a simple to use clock. In addition it also offers a great choice of intelligent controls and accessories to deliver the most efficient heating system for your customers.



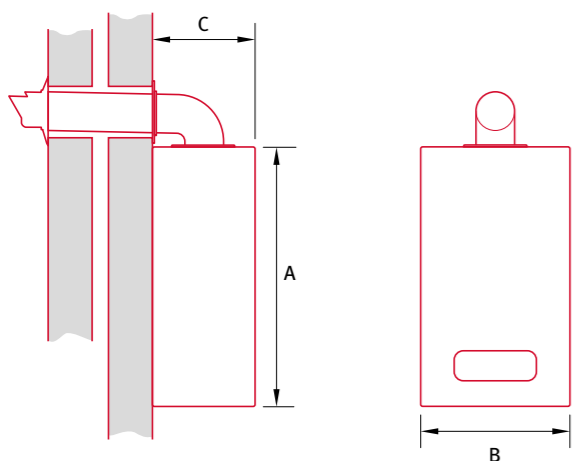
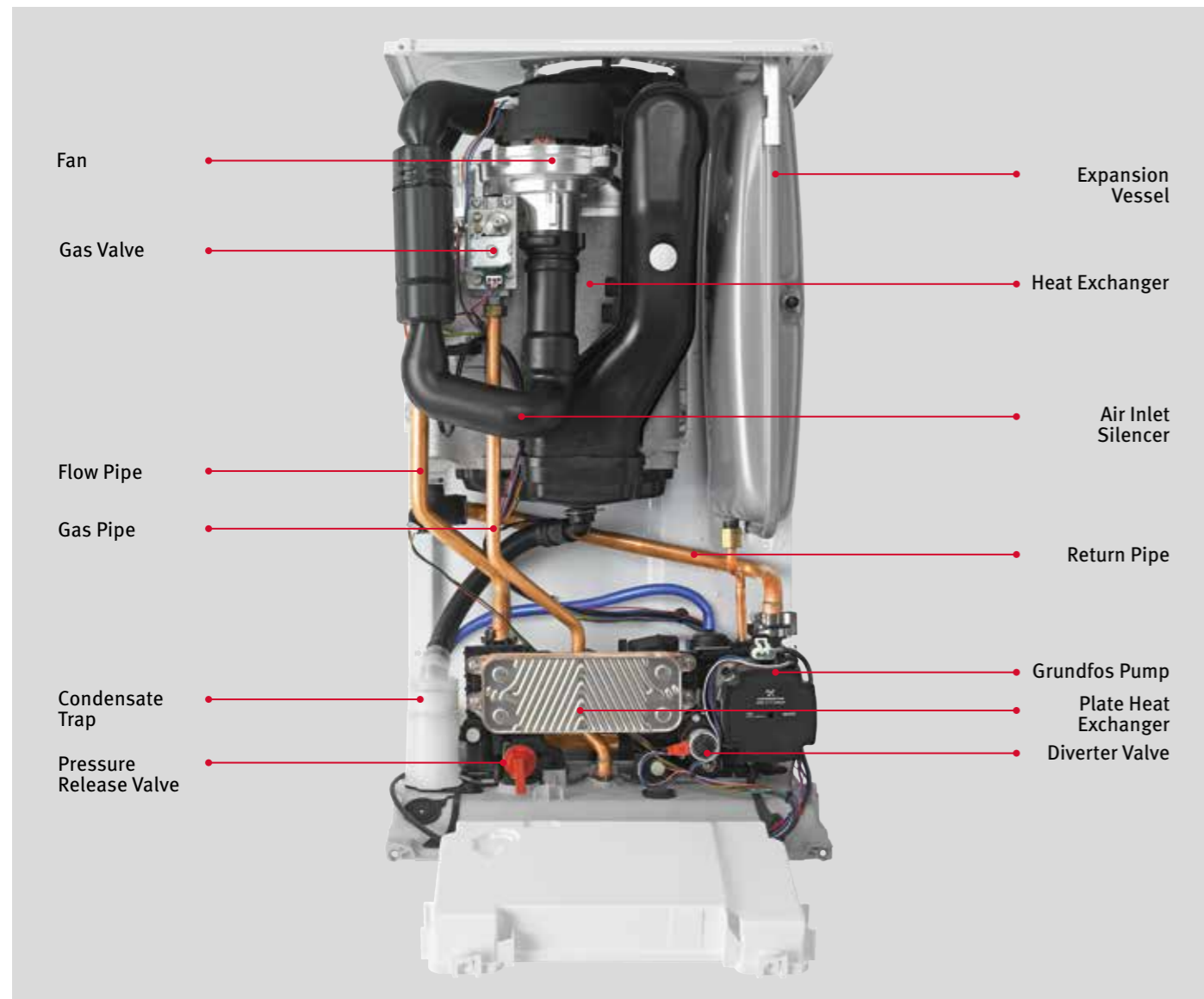
MiGo
WiFi connected, app based control

Climapro₂ RF
Wireless programmable room thermostat

Climapro₁
Programmable room thermostat

Climastat
Easy to use digital heating thermostat

Betacom₃ combi boiler Technical specifications



Boiler dimensions

Height (A)	Width (B)	Depth (C)
740mm	418mm	300mm

Betacom₃ combi boiler Technical specifications



Betacom ₃ combi boilers	24	30
Casing dimensions (h w d) (mm)	740 x 418 x 300	740 x 418 x 300
Weight (lift) (kg)	32	32.6
Performance		
CH output (kW) Min/Max	5.1/20.3	6.1/15.2
DHW output (kW) Min/Max	5/24.2	6/30
DHW flow rate storage/combi (l/min. 35°C rise)	10.0	12.4
SEDBUK rating 2009	89.2	89.2
NOx class 5 (natural gas)	Yes	Yes
LPG compatible	No	No
ErP Rating Heating	A	A
ErP Rating DHW	A	A
Construction		
Heat exchanger material	Aluminium	Aluminium
Burner type	Downward firing	Downward firing
Fully modulating	Yes	Yes
DHW plate heat exchanger	Stainless	Stainless
Integrated hydrobloc	Yes	Yes
Installation		
Suitable for sealed systems	Yes	Yes
Inbuilt filling loop	Integrated	Integrated
Inbuilt condensate trap/siphon	Trap	Trap
Inbuilt boiler frost protection	2 stage	2 stage
Zero compartment ventilation	Yes	Yes
Pump	Grundfos	Grundfos
Clearances		
Top (mm) (from top of boiler)	300	300
Side (mm)	0.5*	0.5*
Bottom (mm)	300	300
Front (mm)	600**	600**
User Interface		
User display	Clear 2 digit LCD	Clear 2 digit LCD
Diagnostics	Advanced	Advanced
User adjustable CH temp control	Yes	Yes
User adjustable DHW temp control	Yes	Yes
Pipes		
Water connections	2x22/2x15mm	2x22/2x15mm
Flues & Accessories		
Max horizontal ø60/100	10m	10m
Max vertical ø60/100	10m	10m
Max horizontal ø80/125	25m	25m
Max vertical ø80/125	25m	25m
Optional plume management kit ø60/100	Yes	Yes
Optional spacing frame	Yes	Yes

*See manual for clearances if side panels are to be removed, to assist with future service and maintenance
**5mm if removable panel or door

Intelligent controls

All Glow-worm controls have been designed to work with the Betacom₃ combi boiler range, so they are simple to install and your customer will get the ultimate in running efficiency, convenience and comfort. The Betacom₃ features an inbuilt analogue timer, and it is also compatible with the full range of Glow-worm controls.

The world of controls explained

Weather compensation uses our outdoor sensor to measure outside temperature and adjusts the flow temperature to meet daily heating demands. The colder it is outside, the hotter the flow temperature to the radiators. As the weather gets warmer the flow temperature is cooler. This ensures the boiler operates in the most efficient way to maintain stable temperature levels and lower energy bills further.

Climastat Thermostat

- Can be used in conjunction with the provided plug in timer
- Wall mounted Climastat connects using simple low voltage eBus
- Traditional interface for customers to set heating programmes
- eBus connected Climastat means the boiler will modulate to manage heating in the most efficient way possible
- Heating & hot water mode on indicator
- Service, fault and maintenance indication
- Clear digital display with 0.5°C temperature intervals
- Wide temperature range 5 – 30°C



Room Thermostat	
Programmable Room Thermostat	✓
Wireless controls	
Load Compensation	✓

Weather compensation not possible

Climapro₁ Wired & Wireless Programmable Thermostat

- Secure wall mounted thermostat is wired using simple low voltage eBus
- User friendly design with bright backlight
- Clear straightforward menus to set heating & hot water programmes
- Annual service reminder and auto daylight saving time
- eBus connected Climapro₁ means the boiler will modulate to manage heating in the most efficient way possible
- Weather compensation using a simple wireless outdoor sensor
- Climapro₁ RF wireless version available
- Climapro₁ wired version can be used with the smart wiring centre to offer two heating and one hot water zone. (S Plan Plus)
- Automatic daylight saving time



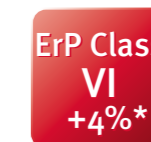
Room Thermostat	
Programmable Room Thermostat	✓
Wireless controls	
Load Compensation	✓
Weather Compensation*	✓

*When an outdoor sensor is included

*Class VI possible when used with outdoor sensor

Climapro₂ Wireless Programmable Thermostat

- Wireless thermostat works anywhere in the home
- Wall bracket for base location and secure storage
- RF receiver slots into the boiler, simple wireless setup, no electrician required
- User friendly design with bright backlight
- Clear straightforward menus to set heating & hot water programmes
- Annual service reminder and auto daylight saving time
- eBus connected Climapro₂ RF means the boiler will modulate to manage heating in the most efficient way possible
- Weather compensation using a simple wireless outdoor sensor



Room Thermostat	
Programmable Room Thermostat	✓
Wireless controls	✓
Load Compensation	✓
Weather Compensation*	✓

*When an outdoor sensor is included

MiGo App based programmable room thermostat

- Smart phone App for Apple & Android devices to manage heating & hot water on the go.
- Simple & straightforward installation - Installed and running in less than 30 minutes
- Easy & intuitive interface - Fast and straightforward temperature control
- Self learning - MiGo automatically learns the energy requirements of your home
- Installation assistant – Seriously simple step by step pairing process
- Internet weather compensation - MiGo only ever uses your energy as and when it needs to without the need for an outside temperature sensor
- Energy consumption monitoring - Gas and electricity consumption for both heating and DHW
- eBUS communication - MiGo and Glow-worm boilers speak the same 'language'!
- One heating circuit and DHW management - DHW and central heating control from one device
- In room thermostat can be wall mounted or a portable table top version
- Electronic paper display – Clear display with low energy consumption
- Multi user sharing and multi-home control - You and your family can manage several heating systems for the same or different locations



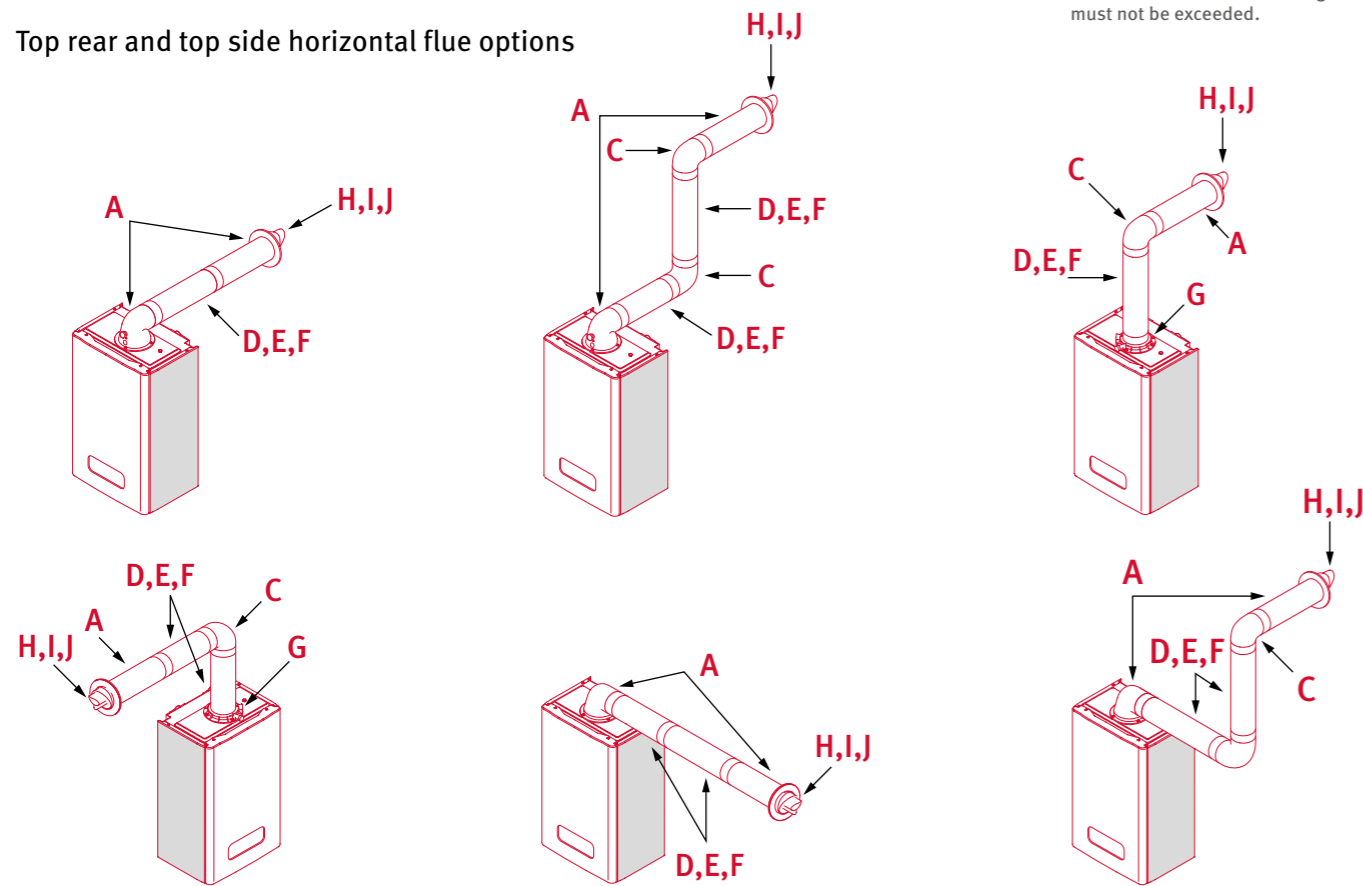
Room Thermostat	
Programmable Room Thermostat	✓
Wireless controls	✓
Smartphone App controls	✓
Load Compensation	✓
Weather Compensation	✓

Horizontal flueing options

The horizontal flueing information below applies to the Betacom₃ range of High Efficiency boilers.

Boiler	Ø60/100 Max horizontal	Ø80/125 Max horizontal
Betacom ₃ combi 24	10m	25m
Betacom ₃ combi 30	10m	25m

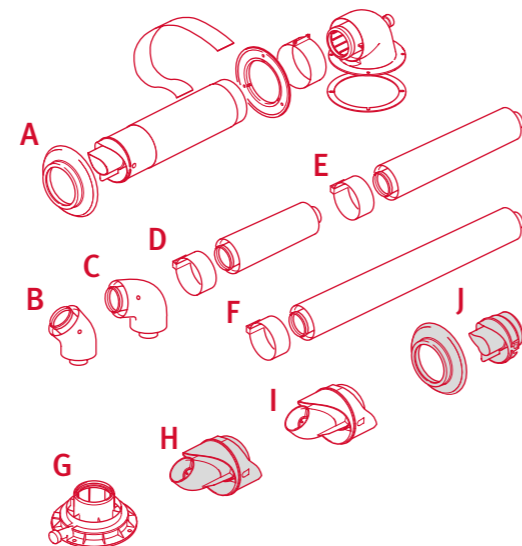
Top rear and top side horizontal flue options



Notes:
1 The overall maximum flue length must not be exceeded.

Horizontal flue accessories

Component	Description	Part Number Ø60/100	Part Number Ø80/125
A	Horizontal Telescopic flue	A2043600	0020104551
B	45° Bend (2 off)	2000460485	0020104557
C	90° Bend (1 off)	2000460484	0020104556
D	0.5m Extension (1 off)	2000460481	0020104553
E	1m Extension (1 off)	2000460482	0020104554
F	2m Extension (1 off)	2000460483	0020104555
G	Vertical Flue Adaptor	0020209763	0020209764
H	Deflector Terminal (Black)	0020060582	-
I	Deflector Terminal (White)	0020060583	-
J	Black Terminal	A2043700	-

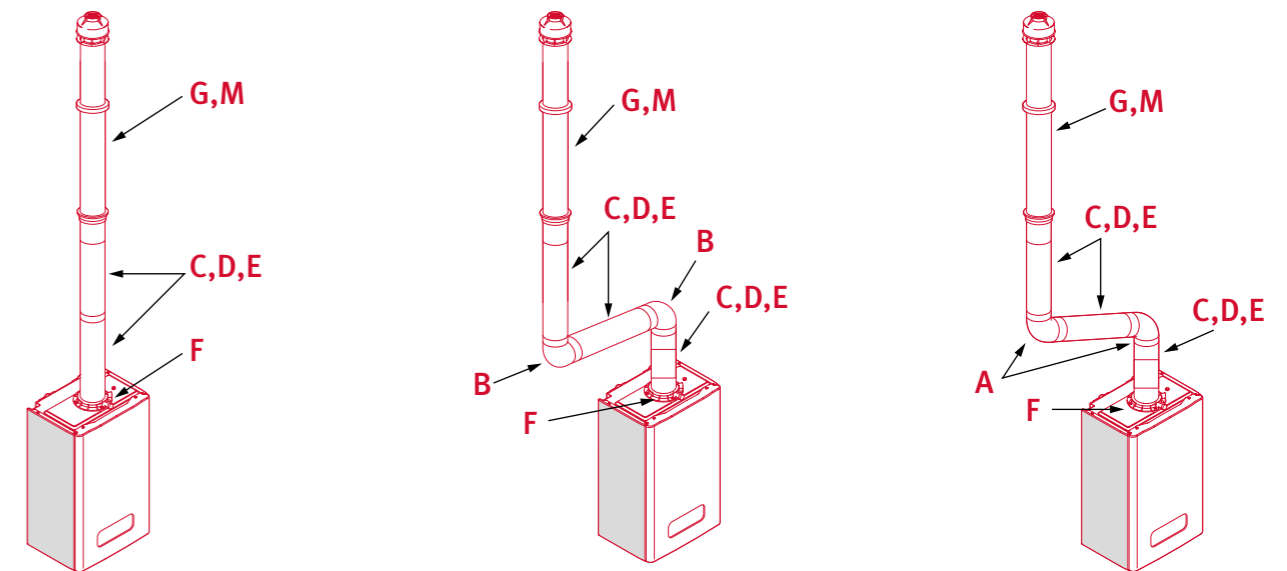


Vertical flueing options

The vertical flueing information below applies to the Betacom₃ range of High Efficiency boilers.

Boiler	Ø60/100 Max vertical	Ø80/125 Max vertical	Compatible with Plume Management Kit
Betacom ₃ combi 24	10m	25m	Yes ¹
Betacom ₃ combi 30	10m	25m	Yes ¹

Vertical flue options

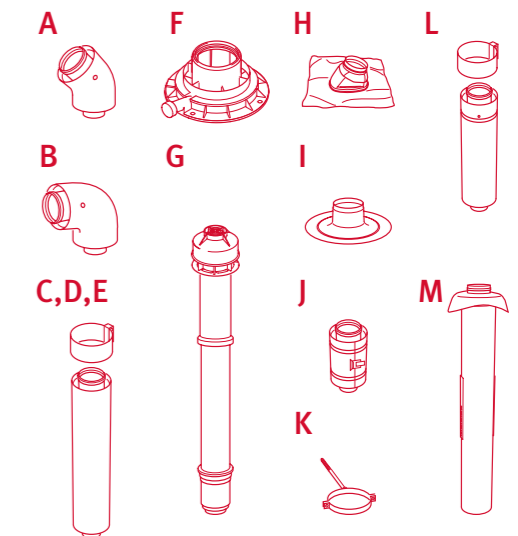


Notes:
1 The overall maximum flue length must not be exceeded.

Notes:
i Horizontal sections must have a continuous fall of at least 2.5° (44mm/metre) back to the boiler.

Vertical flue accessories

Component	Description	Part Number Ø60/100	Part Number Ø80/125
A	45° Bend (2 off)	2000460485	0020104557
B	90° Bend (1 off)	2000460484	0020104556
C	0.5m Extension (1 off)	2000460481	0020104553
D	1m Extension (1 off)	2000460482	0020104554
E	2m Extension (1 off)	2000460483	0020104555
F	Vertical Flue Adaptor	0020209763	0020209764
G	Vertical Roof Terminal	2000460480	0020104552
H	Pitched Roof Flashing	2000460479	-
I	Flat Roof Flashing	2000460478	-
J	Sliding Sleeve	2000460487	0020104558
K	Fixing Bracket (5 off)	2000460486	0020104559
L	Telescopic Extension	A2036900	-
M	Ridge Tile Terminal	A2043800	-



Training

Glow-worm offer a range of online and centre based training facilities covering the complete Glow-worm range. To find out more please call 01773 596156 or email training@glow-worm.co.uk

Support

Expert advice and support from installation to maintenance

Technical help

- If you have a technical question simply call our technical help line on 0330 100 7679 or email technical@glow-worm.co.uk for a straightforward answer

Genuine high quality spares

- Spares availability for up to 15 years after production ends
- Nationwide spares stockists with over 500 locations
- Next day delivery service for emergency orders - contact spares on 01773 596 090 or spares@glow-worm.co.uk

Nationwide after sales service

- Supporting you with technical help and after sales service online, over the telephone and on the road
- 250 engineers based around the UK, carrying over 1,500 different spare parts
- 97% first time fix rate

For our service department please call 0330 100 7678 or email customerservice@glow-worm.co.uk



clubenergy

The award winning loyalty programme from Glow-worm

Enjoy great member benefits when you register your Betacom₃ installations including...



Free 2 year warranty
When registered through Club Energy, option to extend



Business Development
Free tools to grow your business



Plumbing Toolbox app
Industry leading Plumbing Toolbox app making installations easy



Training
Free training



Business Tools
including instant Gas Safe notifications

Plumbing Toolbox - The industry leading installer App for Club Energy members

Designed to make your working life easier!

The Plumbing Toolbox App includes loads of useful stuff...



Register your Installs



Merchant Locator
no more wild goose chases



Fix that fault
quick and easy fault code identification



Every manual
wherever you are, right there in your pocket



Service Reminders
helping to keep you organised



To find out more about how you can benefit from Club Energy or join free today visit www.clubenergy.co.uk or call 0845 275 7018



Literature

There are a number of easy ways for you to access Glow-worm product literature:

- Via our installer App - Plumbing Toolbox
- Via telephone 01773 596 013
- Available to download online at www.glow-worm.co.uk
- Via email literature@glow-worm.co.uk

Glow•worm

The energy you need



Head Office
01773 824 639
info@glow-worm.co.uk

Literature
01773 596 013
literature@glow-worm.co.uk

Service Department
0330 100 7678
customerservice@glow-worm.co.uk

Installer Technical Support
0330 100 7679
technical@glow-worm.co.uk

Training
01773 596 156
training@glow-worm.co.uk

Spare Parts
01773 596 090

Club Energy
01865 893417
enquiries@clubenergy.co.uk



INVESTOR IN PEOPLE

Glow-worm

Nottingham Road
Belper
Derbyshire
DE56 1JT
www.glow-worm.co.uk