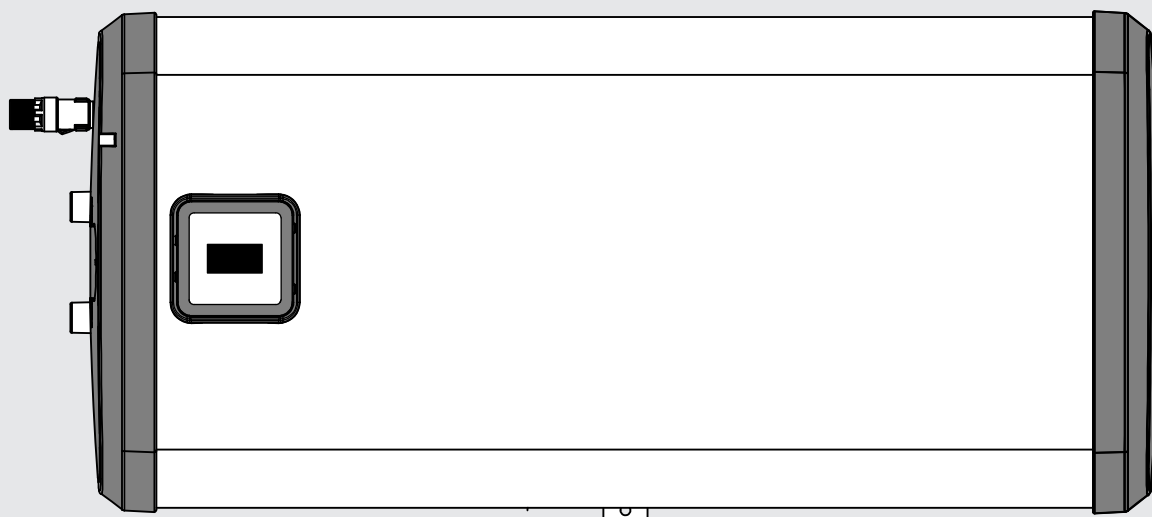


HEATRAESADIA

SMARTER | CLEANER | WARMER

Multipoint ECO Horizontal 30 - 100 Litres Installation, operation and maintenance manual



WARNING

This water heater must only be installed by qualified persons.

Please read and understand these instructions before starting work.
Please leave this leaflet with the user following installation.

Contents

1. Introduction	3	11. Warranty	30
1.1 General.....	3	11.1 General.....	30
1.2 Symbols used.....	3	11.2 Warranty conditions.....	30
1.3 Abbreviations.....	3	11.3 Water supply requirements.....	30
1.4 Liabilities.....	3	11.4 Claims under warranty.....	30
2. Safety	4	11.5 Exclusions	30
2.1 General safety warnings.....	4	12. Decommissioning	31
2.2 Recommendations	4	12.1 Decommissioning procedure.....	31
2.3 Specific safety instructions	4	13. Spare parts	32
3. Technical specifications	5	13.1 Spare parts list	33
3.1 Technical data	5		
3.2 Dimensions and connections	6		
3.3 Electrical diagram(s).....	7		
4. Description of the product	8		
4.1 General description	8		
4.2 Operation principle	8		
4.3 Main components	8		
4.4 Standard delivery	8		
4.5 Auto Pasteurisation.....	8		
5. Before installation	9		
5.1 Installation regulations.....	9		
5.2 Installation requirements	9		
5.3 Choice of location.....	9		
5.4 Transport	9		
6. Installation	10		
6.1 General.....	10		
6.2 Water connections.....	10		
6.3 Electrical connections.....	15		
7. Commissioning	15		
7.1 General.....	15		
7.2 Checklist before commissioning.....	15		
7.3 Commissioning procedure.....	15		
8. Operation	16		
8.1 General.....	16		
9. Maintenance	24		
9.1 General.....	24		
9.2 Standard inspection & maintenance operations.....	24		
9.3 Removal and replacement of the LCD display.....	26		
9.4 Removal and Replacement of the Electronic Thermostat.....	27		
10. Troubleshooting	28		
10.1 Fault finding.....	28		
10.2 Error Codes.....	29		



Benchmark™ places responsibilities on both manufacturers and Installers. The purpose is to ensure that Customers are provided with the correct equipment for their needs, that it is installed, commissioned and serviced in accordance with the manufacturer's instructions by competent persons and that it meets the requirements of the appropriate Building Regulations and relevant electrical qualifications. The Benchmark™ Checklist can be used to demonstrate compliance with Building Regulations and should be provided to the Customer for future reference. Installers are required to carry out installation, commissioning and servicing work in accordance with the Benchmark™ Code of Practice which is available from the Heating and Hotwater Industry Council who manage and promote the Scheme. Visit www.centralheating.co.uk for more information. IMPORTANT NOTE TO USER: PLEASE REFER TO THE COMMISSIONING SECTION, PAGE 16 FOR IMPORTANT INFORMATION WITH RESPECT TO THE BENCHMARK SCHEME

1. Introduction

1.1 General

The following instructions are offered as a guide to the user and Installer. The installation must be carried out by a competent plumbing and electrical Installer in accordance with:

- ▶ Building Regulations Part G and L
- ▶ The Building Standards (Scotland) Regulations
- ▶ The Building Regulations (Northern Ireland)
- ▶ I.E.E Wiring Regulations
- ▶ UK Water Regulations

1.2 Symbols used

In these instructions, various risk levels are employed to draw the user's attention to particular information. In doing so we wish to safeguard the user, avoid hazards and guarantee the correct operation of the appliance.



DANGER

Risk of a dangerous situation causing serious physical injury.



WARNING

Risk of dangerous situation causing slight physical injury.



CAUTION

Risk of material damage.



Signals important information.

1.3 Abbreviations

- ▶ T&P - Temperature & Pressure relief valve
- ▶ PRV - Pressure Reducing Valve
- ▶ Prv - Pressure relief valve

1.4 Liabilities

Manufacturers liability

Our products are manufactured in compliance with the requirements of the various applicable European Directives.

This appliance complies with the requirements of the CE marking directive and is Kiwa approved to show compliance with Building Regulations (part G, section G3).

In the interest of UK Customers, we are continuously endeavouring to make improvements in product quality. All the specifications stated in this document are therefore subject to change without notice.

Our liability as the manufacturer may not be invoked in the

following cases:

- ▶ Failure to abide by the instructions for using the appliance.
- ▶ Faulty or insufficient maintenance of the appliance.
- ▶ Failure to abide by the instructions for installing the appliance.

Installer's liability


The Installer is responsible for the installation and the commissioning of the appliance. The Installer must respect the following instructions:


- ▶ Read and follow the instructions given in the manuals provided with the appliance.
- ▶ Carry out installation in compliance with the prevailing legislation and standards.
- ▶ Perform the initial start up and carry out any checks necessary.
- ▶ Explain the installation to the user.
- ▶ If maintenance is necessary, warn the user of the obligation to check the appliance and maintain it in good working order.
- ▶ Give the instruction manual to the user.
- ▶ Complete the warranty registration card.

User's liability

To guarantee optimum operation of the appliance, the user must respect the following instructions:

- ▶ Read and follow the instructions given in the manual provided with the appliance.
- ▶ Call on qualified professionals to carry out installation and initial start up.
- ▶ Ask your Installer to explain your installation to you.
- ▶ Have your required checks and services done.
- ▶ Keep the instruction manuals in good condition and available for future reference.

 This appliance can be used by children aged from 8 years and above and persons with reduced physical, sensory or mental capabilities or lack of experience and knowledge if they have been given supervision or instruction concerning use of the appliance in a safe way and understand the hazards involved. Children shall not play with the appliance. Cleaning and user maintenance shall not be made by children without supervision.

 Water may drip from the discharge pipe of the pressure-relief device and this pipe must be left open to the atmosphere; (see pages 12 & 14 for more details)


The Temperature/Pressure-relief device is to be operated regularly to remove lime deposits and to verify that it is not blocked; (see page 24 for more details)

How hot water can be drained. (see page 25 for more details)

The type or characteristics of the Pressure Reducing device and how to connect it; (see Figure 9, page 24 for exploded view)

A discharge pipe connected to the pressure-relief device is to be installed in a continuously downward direction and in frost free environment; (see page 14 for details)

Recommended minimum water pressure 0.08 MPa (0.8 bar). Max water pressure 1.6 MPa (16 bar) (see table 1 page 5).

 If the supply cord is damaged, it must be replaced by the manufacturer, its service agent or similarly qualified persons in order to avoid a hazard.

2. Safety

2.1 General safety warnings



DANGER

This appliance is unvented and as such becomes pressurised when in operation. The combination of pressurisation and hot water could lead to serious physical injury if the safety instructions in this manual are not adhered to.



WARNING

- ▶ Only competent persons having received adequate training are permitted to work on the appliance and the installation.
- ▶ Do not tamper with any of the safety valves or controls supplied with the cylinder.
- ▶ Before any work, switch off the mains supply to the appliance.



CAUTION

Do not operate immersion heater until the appliance has been filled with water.

2.2 Recommendations



WARNING

When handling the unit, take appropriate precautions for the weight of the unit. Weights can be found in table 1, page 5.



CAUTION

Annual maintenance is recommended to be carried out by a competent person, see section 9, page 24.

2.3 Specific safety instructions



WARNING

- ▶ If water discharges from the Temperature/Pressure Relief Valve on the appliance, turn the water heater off. DO NOT turn off any water supply. Contact a competent Installer for unvented water heaters to check the system.
- ▶ DO NOT tamper with any of the safety valves fitted to the system. If a fault is suspected contact a competent Installer.
- ▶ DO NOT bypass the thermal cut-out in any circumstances.
- ▶ Where the inlet supply to the Pressure Reducing Valve is routed through a heated space and is fitted with a check valve or other fitting that would prevent backflow, high pressures can be experienced in the inlet pipe due to warming that can cause damage to the PRV or other fittings on the inlet supply. In these circumstances, the installation of a means to accommodate expansion and thus limit the pressure rise in the inlet pipe is recommended



WARNING

- ▶ This appliance is supplied with a factory fitted electronic thermostat which provides automatic control of legionella in accordance with the "Approved Code of Practice L8:
- ▶ With the addition of this feature, the obligation to control Legionella under the provisions laid down by L8, Legionnaires' disease: 'The control of legionella bacteria water systems'. Approved Code of Practice and guidance, within the hot water supply network pipe work are **not negated**. It is still the responsibility of the end user or contracted support agency to manage this requirement.



CAUTION

This appliance contains components that are sensitive to Electrostatic Discharge.



To prevent damage to these components wear ESD wrist strap when servicing this appliance.

3. Technical specifications

3.1 Technical data

Product Name	Multipoint ECO 30L H 3kW	Multipoint ECO 50L H 3kW	Multipoint ECO 80L H 3kW	Multipoint ECO 100L H 3kW
Product Code	7693971	7693980	7693982	7694024
Electrical rating	3.0kW @ 240V / 2.8kW @ 230V ~			
Max Inlet Pressure to PRV	1.6 MPa (16.0 bar)			
Weight Empty kg	14	21	26	30
Weight Full kg	44	71	106	130
Capacity (Litres)	30	50	80	100
Heat up time (min)	37	65	115	125
Operating pressure	0.35 MPa (3.5 bar)			
Maximum Design (Rated) pressure	0.6 MPa (6.0 bar)			
Minimum supply pressure	0.08 MPa (0.8 bar)			
Expansion vessel charge pressure	0.35 MPa (3.5 bar)			
Expansion relief valve setting	0.6 MPa (6.0 bar)			
Temperature/Pressure Relief Valve settings	90°C / 1.0MPa (10bar)			
Insulation thickness (min)	22mm	22mm	36mm	36mm

Table 1: Technical data

Product Name	Multipoint ECO 30L H 3kW	Multipoint ECO 50L H 3kW	Multipoint ECO 80L H 3kW	Multipoint ECO 100L H 3kW
Suppliers name or trade mark	Multipoint			
Supplier's model identifier	30L H 3kW	50L H 3kW	80L H 3kW	100L H 3kW
Storage volume V in litres	30	50	80	100
Mixed water at 40 °C V40 in litres	51	80	98	140
The declared load profile	S	M	M	M
The water heating energy efficiency class of the model	A	B	B	B
The water heating energy efficiency in %	40.0	40.0	40.0	39.6
The annual electricity consumption in kWh	461	1283	1283	1297
Daily fuel consumption Q _{elec} in kWh	2.47	6.8	6.9	7.3
Heat Loss kWh/24h	0.68	0.90	1.13	1.17
The thermostat temperature settings of the water heater, as placed on the market by the supplier	70°C			
Specific precautions that shall be taken when the water heater is assembled, installed or maintained and disposed of at end of life.	See pages 3 to 21			

Table 2: Technical fiche

Technical parameters in accordance with European Commission regulations 814/2013 and 812/2013

3.2 Dimensions and connections

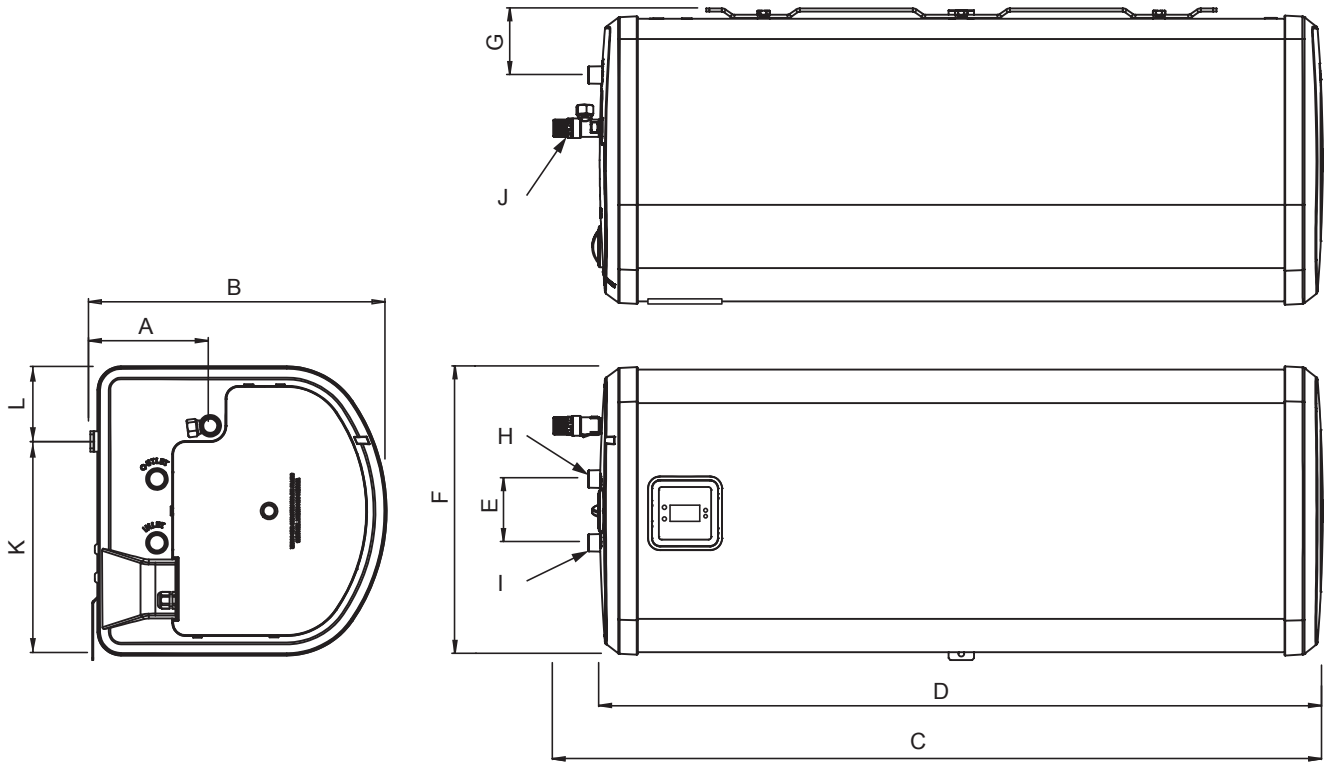


Figure 1: General dimensions

Item	30L H 3kW	50L H 3kW	80L H 3kW	100L H 3kW
A	148	148	188	188
B	369	369	465	465
C	710	995	1084	1253
D	626	911	956	1134
E	100	100	100	100
F	371	371	451	451
G	95	95	105	105
H	OUTLET 22mm / 3/4"BSP (M)			
I	INLET 22mm / 3/4"BSP (M)			
J	TEMPERATURE / PRESSURE RELIEF VALVE. DISCHARGE PIPE CONNECTION 15mm COMPRESSION			
K	285	285	333	333
L	110	110	118	118

Table 3: General dimensions table

3.3 Electrical diagram(s)

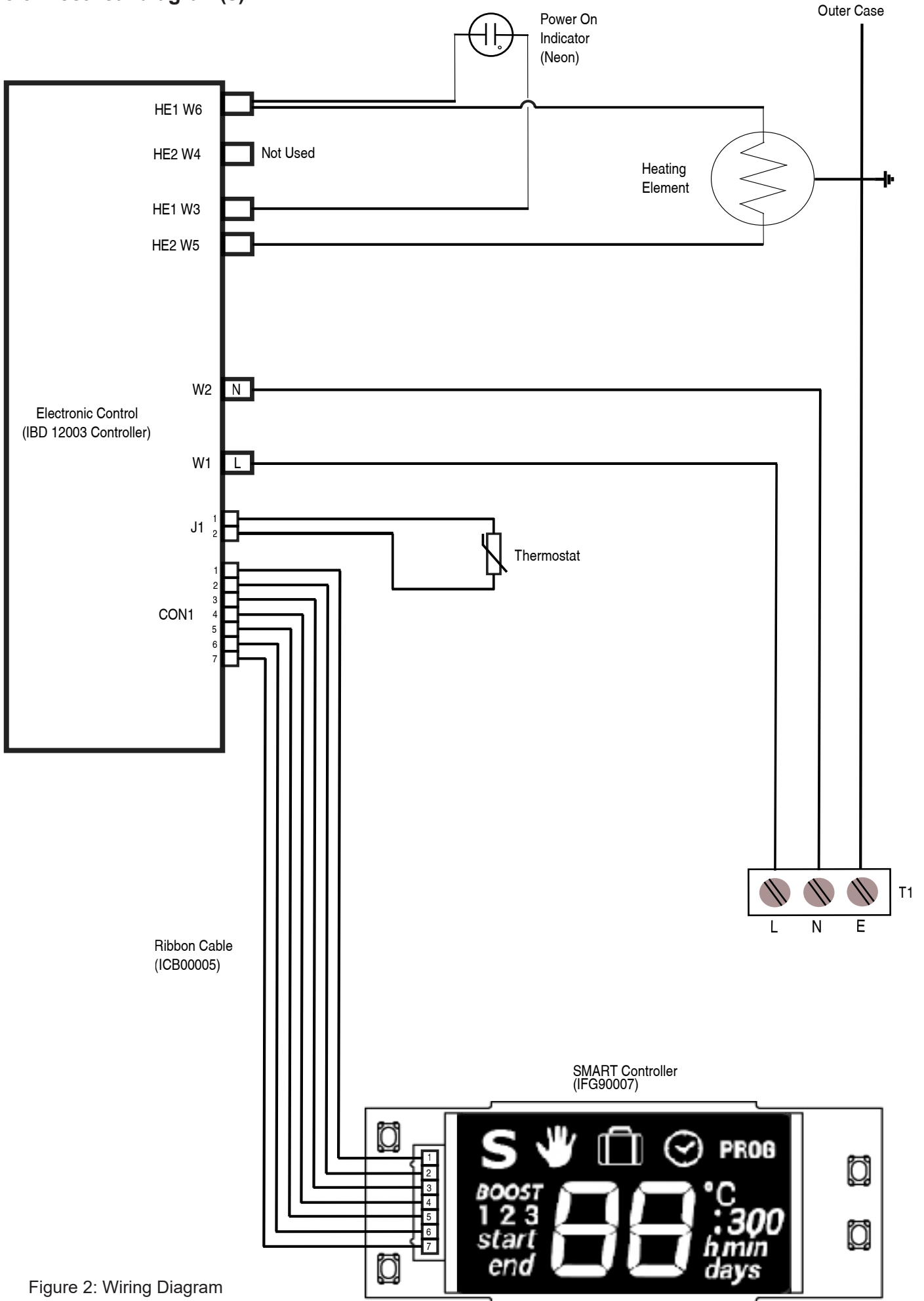


Figure 2: Wiring Diagram

4. Description of the product

4.1 General description

This appliance is a purpose designed unvented water heater. The water heater has a stainless steel inner vessel, which ensures an excellent standard of corrosion resistance. The outer casing is a combination of resilient thermoplastic mouldings and coated corrosion proofed steel sheet. All products are insulated with CFC free polyurethane foam to give good heat loss protection.

The appliance is supplied complete with all the necessary safety and control devices needed to allow connection to the cold water mains. All these components are preset and should not be tampered with.

4.2 Operation principle

The appliance is used to heat and store hot water for use in domestic & commercial applications.

The water is heated directly using a factory fitted electric heating element and thermostatically controlled by a SMART electronic thermostat.

This water heater is unvented, to provide pressure to the tap or shower an unvented water heater uses the incoming mains water pressure. To protect the water heater from the risks of over pressure from the incoming mains pressure and expansion of the heated water it should be protected using the supplied water safety kit, (See Figure 6, Page 11) for typical installation

4.3 Main components

See figure 3: Main components

4.4 Standard delivery

The delivery includes:

- ▶ Water heater
- ▶ Wall mounting brackets

- ▶ Literature pack
 - ▶ Instructions
 - ▶ Warranty card

- ▶ Cold water control pack
 - ▶ Expansion vessel (inc bracket)
 - ▶ Tundish
 - ▶ Pressure Reducing Valve
 - ▶ Expansion (Pressure) relief valve
 - ▶ Check valve
 - ▶ Compression nuts
 - ▶ Copper olives

Please check all components are supplied in the pack and advise your supplier if any are missing.

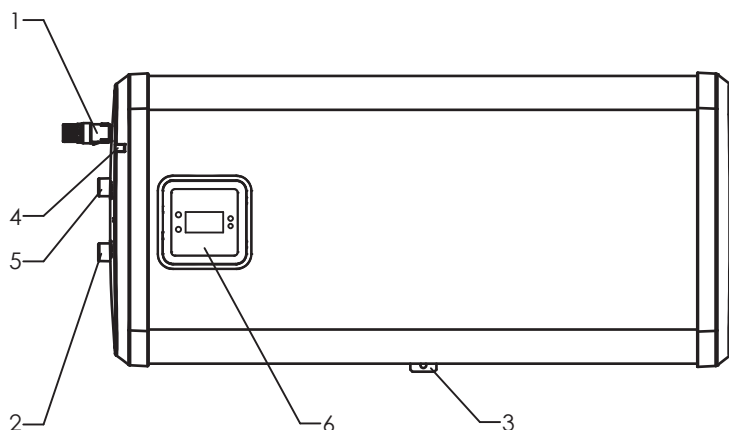


Figure 3: Main components

Item	Description
1	Temperature and Pressure Relief Valve
2	Inlet
3	Wall Mounting Bracket (lower)
4	Neon Indicator
5	Outlet
6	Display/controls

Table 4: Main components table

4.5 Auto Pasteurisation

The appliance provides an automatic pasteurisation feature. This feature will automatically heat the internally stored hot water to 65°C once, then it will return to its previous mode of operation. This occurs if the stored water remains below 60°C for greater than 21 days in any mode.



WARNING

- ▶ The stored water temperature during this function exceeds that which is safe for hand wash requirements. If the stored hot water is used for hand washing then an appropriate water tempering device must be fitted at the point of use.

5. Before installation

5.1 Installation regulations



WARNING

Installation of the appliance must be done by a qualified Engineer in accordance with prevailing and national regulations as listed below.

- ▶ Building Regulations G3
- ▶ The Building Standards (Scotland)
- ▶ The Building Regulations (Northern Ireland)
- ▶ I.E.E Electrical Regulations
- ▶ UK Water Regulations

5.2 Installation requirements

Water supply

In an unvented system the pressure and flowrate is directly related to the incoming water supply. For this reason it is recommended that the maximum water demand is assessed and the water supply checked to ensure this demand can be satisfactorily met.

- ▶ We suggest the minimum supply requirements should be 0.08MPa (0.8 bar) pressure and 20 litres per minute flow rate. However, at these values outlet flow rates may be poor if several outlets are used simultaneously.
- ▶ A 22mm cold water supply is recommended, however, if a 15mm (1/2") supply exists, which provides sufficient flow, this may be used (although more flow noise may be experienced).
- ▶ The higher the available pressure and flow rate the better the system performance.
- ▶ The water heater has a maximum operating pressure of 0.35MPa (3.5 bar) which is controlled by the Pressure Reducing Valve (PRV).
- ▶ The Pressure Reducing Valve can be connected to a maximum mains pressure of 1.6MPa (16 bar).

Outlet/terminal fittings (taps, etc.)

- ▶ The appliance can be used with most types of terminal fittings.
- ▶ Outlets situated higher than the water heater will give outlet pressures lower than that at the heater, a 10m height difference will result in a 1 bar pressure reduction at the outlet.
- ▶ All fittings, pipework and connections must have a rated pressure of at least 0.6 Mpa (6 bar) at 80°C.

Limitations

The appliance should not be used in association with any of the following:

- ▶ Ascending spray type bidets or any other class 1 back syphonage risk requiring that a type A air gap be employed.

- ▶ Situations where maintenance is likely to be neglected or safety devices tampered with.
- ▶ Water supplies that have either inadequate pressure or where the supply may be intermittent.
- ▶ Situations where it is not possible to safely pipe away any discharge from the safety valves.
- ▶ In areas where the water consistently contains a high proportion of solids, e.g. suspended matter that could block the strainer, unless adequate filtration can be ensured.
- ▶ In areas where the water supply contains chloride levels that exceed 250mg/l.

5.3 Choice of location

The appliance must be horizontally wall mounted. Although location is not critical, the following points should be considered:

- ▶ The appliance should be sited to ensure minimum dead leg distances, particularly to the point of most frequent use.
- ▶ Avoid siting where extreme cold temperatures will be experienced. All exposed pipe work should be insulated.
- ▶ The discharge pipework from the safety valves must have minimum fall of 1:200 from the appliance and terminate in a safe and visible position as per G3 requirements (see page 12 for details)
- ▶ Access to associated controls and immersion heaters must be available for the servicing and maintenance of the system.
- ▶ Clearance to the left hand side of the appliance should be at least 300 mm to allow removal of the cover and immersion heater.
- ▶ Ensure that the wall for the appliance is capable of permanently supporting the weight when full of water (see table 1, page 5 for weights).
- ▶ The tundish should be installed away from any electrical components.

5.4 Transport

Prior to installation the appliance should be stored and transported in an upright position in its original packaging in a dry area free from excessive damp, humidity or frost.

Please take care when handling a packaged appliance. The units are heavy and must only be moved manually using safe working practices. The package weights are displayed on the carton label. Once the packaging has been removed decide on a safe lifting method for the appliance again taking note of the weights noted in table 1, page 5.

DO NOT use the Temperature/Pressure Relief Valve to lift or manoeuvre the appliance.

6. Installation



CAUTION

If this appliance is installed into a location where the temperature of the air surrounding (ambient) the water heater constantly exceeds **45°C**, then additional ventilation should be considered.

6.1 General

After reading the previous sections in this booklet and choosing a suitable location for the appliance please install, paying attention to the following water, electrical and commissioning sections.

Mounting the water heater

The water heater should be mounted using the brackets supplied and in the steps stated below:

- ▶ The top bracket bolts (3 off) require mounting to the unit. Note the location of the bolt holes used for the vertical units as well as which way up the unit should be mounted.
- ▶ The top bracket bolts should be screwed all the way into the hole until they stop and stick out 8mm as shown in figure 4.
- ▶ Secure the top bracket to the wall using appropriate fixings. Ensure it is fitted the correct way up.
- ▶ Locate the appliance top bracket bolts (3 off) in the corresponding slots in the wall bracket. Ensure they are fully engaged and seat correctly (figure 4).
- ▶ Secure the lower bracket to the wall.

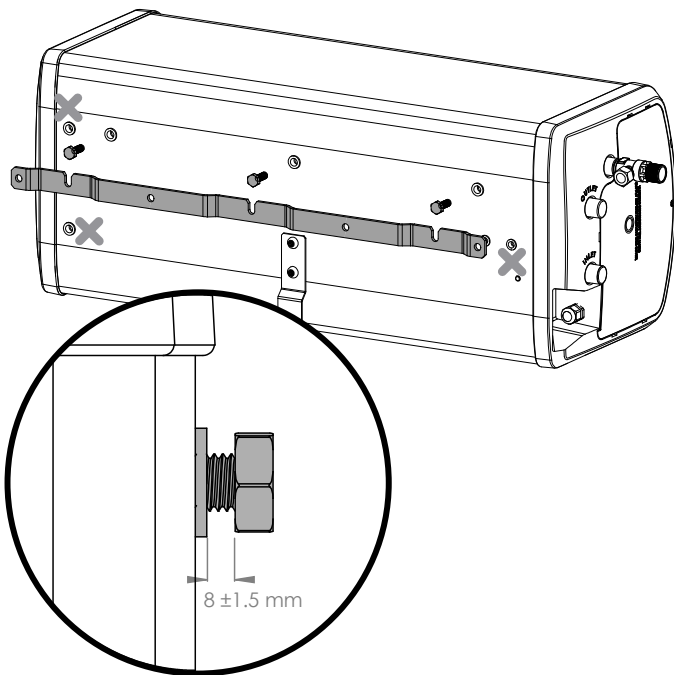


Figure 4: Top Bracket

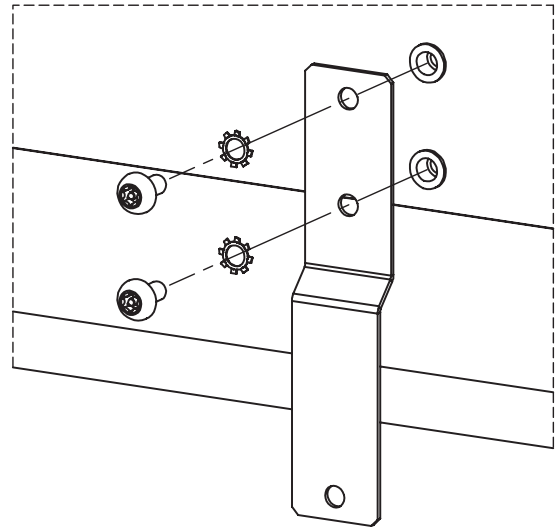


Figure 5: Lower Bracket

6.2 Water connections



WARNING

- ▶ Under NO circumstances should the factory fitted Temperature/Pressure relief valve be removed other than by a competent person. To do so will invalidate any warranty claim.
- ▶ The cold water controls supplied MUST be fitted on the mains water supply to the appliance.
- ▶ No control or safety valves should be tampered with or used for any other purpose.
- ▶ The discharge pipe should not be blocked or used for any other purpose.
- ▶ The tundish should not be located adjacent to any electrical components.

Refer to the installation schematic (figure 6, page 11) for details on the pipework layout. Specific details for the discharge pipework layout is also provided in figure 7 on page 14.

- ▶ The appliance is supplied with a Pressure Reducing Valve, Check Valve, Expansion vessel and Expansion (Pressure) Relief Valve.
- ▶ All pipe fittings are made via 22mm compression fittings directly to the water heater. Fittings are threaded 3/4" BSP male parallel.
- ▶ A stopcock or servicing valve must be incorporated into the cold water supply to enable the water heater and its associated controls to be isolated and serviced.
- ▶ The expansion vessel must be connected between the check valve and the appliance.
- ▶ The location of the expansion vessel should allow access to recharge the pressure as and when necessary (see page 25). See figure 6 page 11 for positioning.
- ▶ An expansion vessel wall mounting bracket is supplied and should be fitted.

- ▶ A suitable draining tap should be installed in the cold water supply to the water heater between the Expansion (Pressure) Valve and the appliance at as low a level as possible.
- ▶ It is recommended that the outlet point of the drain pipework be at least 1 metre below the level of the base of the appliance (this can be achieved by attaching a hose to the drain tap outlet spigot).
- ▶ Hot water distribution pipework should be 22mm pipe with short runs of 15mm pipe to terminal fittings such as sinks and basins. Pipe sizes may vary due to system design.

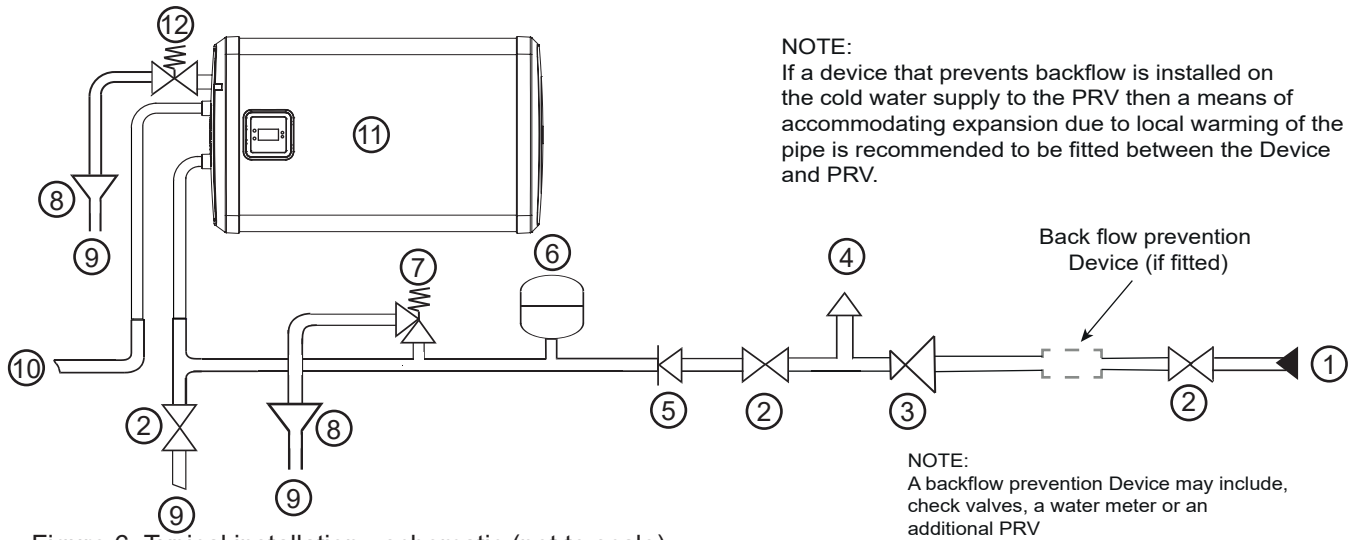


Figure 6: Typical installation - schematic (not to scale)

Item	Description
1	Cold Water Mains in
2	Service Valve (not supplied)
3	Pressure Reducing Valve
4	Balanced Cold Water Draw Off
5	Check Valve
6	Expansion Vessel
7	Expansion (Pressure) Relief Valve
8	Tundish
9	To Drain (Waste)
10	Hot out
11	Water heater
12	Temperature and Pressure Relief Valve

Table 5: Typical installation table

PRV WARNING:

IF THERE IS AN UPSTREAM CHECK VALVE OR FITTING WHICH MAY PREVENT BACKFLOW THEN HIGH PRESSURES CAN BE EXPERIENCED DUE TO AMBIENT TEMPERATURES WHICH CAN CAUSE DAMAGE TO THE VALVES AND FITTINGS

Discharge

It is a requirement of Building Regulation G3 that any discharge from an unvented system is conveyed to where it is visible, but will not cause danger to persons in or about the building. The tundish and discharge pipes should be fitted in accordance with the requirements and guidance notes of Building Regulation G3. The G3 Requirements and Guidance section 3.50 - 3.63 are reproduced in the following sections of this manual. For discharge pipe arrangements not covered by G3 Guidance advice should be sought from your local Building Control Officer. Any discharge pipe connected to the pressure relief devices (expansion valve and temperature/pressure relief valve) must be installed in a continuously downward direction and in a frost free environment.

Water may drip from the discharge pipe of the pressure relief device. This pipe must be left open to the atmosphere. The pressure relief device is to be operated regularly to remove lime deposits and to verify that it is not blocked.

G3 REQUIREMENT

“...there shall be precautions...to ensure that the hot water discharged from safety devices is safely conveyed to where it is visible but will not cause danger to persons in or about the building.”

The following extract is taken from the latest G3 Regulations

Discharge pipes from safety devices

Discharge pipe D1

3.50 Each of the temperature relief valves or combined temperature and pressure relief valves specified in 3.13 or 3.17 should discharge either directly or by way of a manifold via a short length of metal pipe (D1) to a tundish.

3.51 The diameter of discharge pipe (D1) should be not less than the nominal outlet size of the temperature relief valve.

3.52 Where a manifold is used it should be sized to accept and discharge the total discharge from the discharge pipes connected to it.

3.53 Where valves other than the temperature and pressure relief valve from a single unvented hot water system discharge by way of the same manifold that is used by the safety devices, the manifold should be factory fitted as part of the hot water storage system water heater or package.

Tundish

3.54 The tundish should be vertical, located in the same space as the unvented hot water storage system and be fitted as close as possible to, and lower than,

the valve, with no more than 600mm of pipe between the valve outlet and the tundish (see Fig 7).

Note: To comply with the Water Supply (Water Fittings) Regulations, the tundish should incorporate a suitable air gap.

3.55 Any discharge should be visible at the tundish. In addition, where discharges from safety devices may not be apparent, e.g. in dwellings occupied by people with impaired vision or mobility, consideration should be given to the installation of a suitable safety device to warn when discharge takes place, e.g. electronically operated.

Discharge pipe D2

3.56 The discharge pipe (D2) from the tundish should:

- (a) have a vertical section of pipe at least 300mm long below the tundish before any elbows or bends in the pipework (see Fig. 7); and*
- (b) be installed with a continuous fall thereafter of at least 1 in 200.*

3.57 The discharge pipe (D2) should be made of:

- (a) metal; or*
- (b) other material that has been demonstrated to be capable of safely withstanding temperatures of the water discharged and is clearly and permanently marked to identify the product and performance standard (e.g. as specified in the relevant part of BS 7291).*

3.58 The discharge pipe (D2) should be at least one pipe size larger than the nominal outlet size of the safety device unless its total equivalent hydraulic resistance exceeds that of a straight pipe 9m long, i.e. for discharge pipes between 9m and 18m the equivalent resistance length should be at least two sizes larger than the nominal outlet size of the safety device; between 18 and 27m at least 3 sizes larger, and so on; bends must be taken into account in calculating the flow resistance. See Fig 11, Table 3 and the worked example.

Note: An alternative approach for sizing discharge pipes would be to follow Annex D, section D.2 of BS 6700:2006 Specification for design, installation, testing and maintenance of services supplying water for domestic use within buildings and their curtilages.

3.59 Where a single common discharge pipe serves more than one system, it should be at least one pipe size larger than the largest individual discharge pipe (D2) to be connected.

3.60 The discharge pipe should not be connected to a soil discharge stack unless it can be demonstrated that the soil discharge stack is capable of safely withstanding temperatures of the water discharged, in which case, it should:

- (a) contain a mechanical seal, not incorporating a water trap, which allows water into the branch pipe without allowing foul air from the drain to be ventilated*

through the tundish;

(b) be a separate branch pipe with no sanitary appliances connected to it;

(c) if plastic pipes are used as branch pipes carrying discharge from a safety device they should be either polybutylene (PB) to Class S of BS 7291-2:2006 or cross linked polyethylene (PE-X) to Class S of BS 7291-3:2006; and

(d) be continuously marked with a warning that no sanitary appliances should be connected to the pipe.

Note:

1. Plastic pipes should be joined and assembled with fittings appropriate to the circumstances in which they are used as set out in BS EN ISO 1043-1.

2. Where pipes cannot be connected to the stack it may be possible to route a dedicated pipe alongside or in close proximity to the discharge stack.

Termination of discharge pipe

3.61 The discharge pipe (D2) from the tundish should terminate in a safe place where there is no risk to persons in the vicinity of the discharge.

3.62 Examples of acceptable discharge arrangements are:

(a) to a trapped gully with the end of the pipe below a fixed grating and above the water seal;

(b) downward discharges at low level; i.e. up to 100mm above external surfaces such as car parks, hard standings, grassed areas etc. are acceptable providing that a wire cage or similar guard is positioned to prevent contact, whilst maintaining visibility; and

(c) discharges at high level: e.g. into a metal hopper and metal downpipe with the end of the discharge pipe clearly visible or onto a roof capable of withstanding high temperature discharges of water and 3m from any plastic guttering system that would collect such discharges.

3.63 The discharge would consist of high temperature water and steam. Asphalt, roofing felt and non-metallic rainwater goods may be damaged by such discharges.

Worked example of discharge pipe sizing

Fig. 7: shows a G1/2 temperature relief valve with a discharge pipe (D2) having 4 No. elbows and length of 7m from the tundish to the point of discharge.

From Table 6:

Maximum resistance allowed for a straight length of 22mm copper discharge pipe (D2) from a G1/2 temperature relief valve is 9.0m.

Subtract the resistance for 4 No. 22mm elbows at 0.8m each = 3.2m

Therefore the permitted length equates to: 5.8m

5.8m is less than the actual length of 7m therefore calculate the next largest size.

Maximum resistance allowed for a straight length of 28mm pipe (D2) from a G1/2 temperature relief valves equates to 18m.

Subtract the resistance of 4 No. 28mm elbows at 1.0m each = 4.0m

Therefore the maximum permitted length equates to: 14m

As the actual length is 7m, a 28mm (D2) copper pipe will be satisfactory.

Valve Outlet Size	Minimum Size Of Discharge Pipe D1	Minimum Size Of Discharge Pipe D2 From Tundish	Maximum Resistance Allowed, Expressed As A Length Of Straight Pipe (I.E. No Elbows Or Bends)	Resistance Created By Each Elbow Or Bend
G1/2	15mm	22mm 28mm 35mm	up to 9m up to 18m up to 27m	0.8m 1.0m 1.4m
G3/4	22mm	28mm 35mm 42mm	up to 9m up to 18m up to 27m	1.0m 1.4m 1.7m
G1	28mm	35mm 42mm 54mm	up to 9m up to 18m up to 27m	1.4m 1.7m 2.3m

Table 6: Sizing of copper discharge pipe (D2) for common temperature relief valve outlet sizes

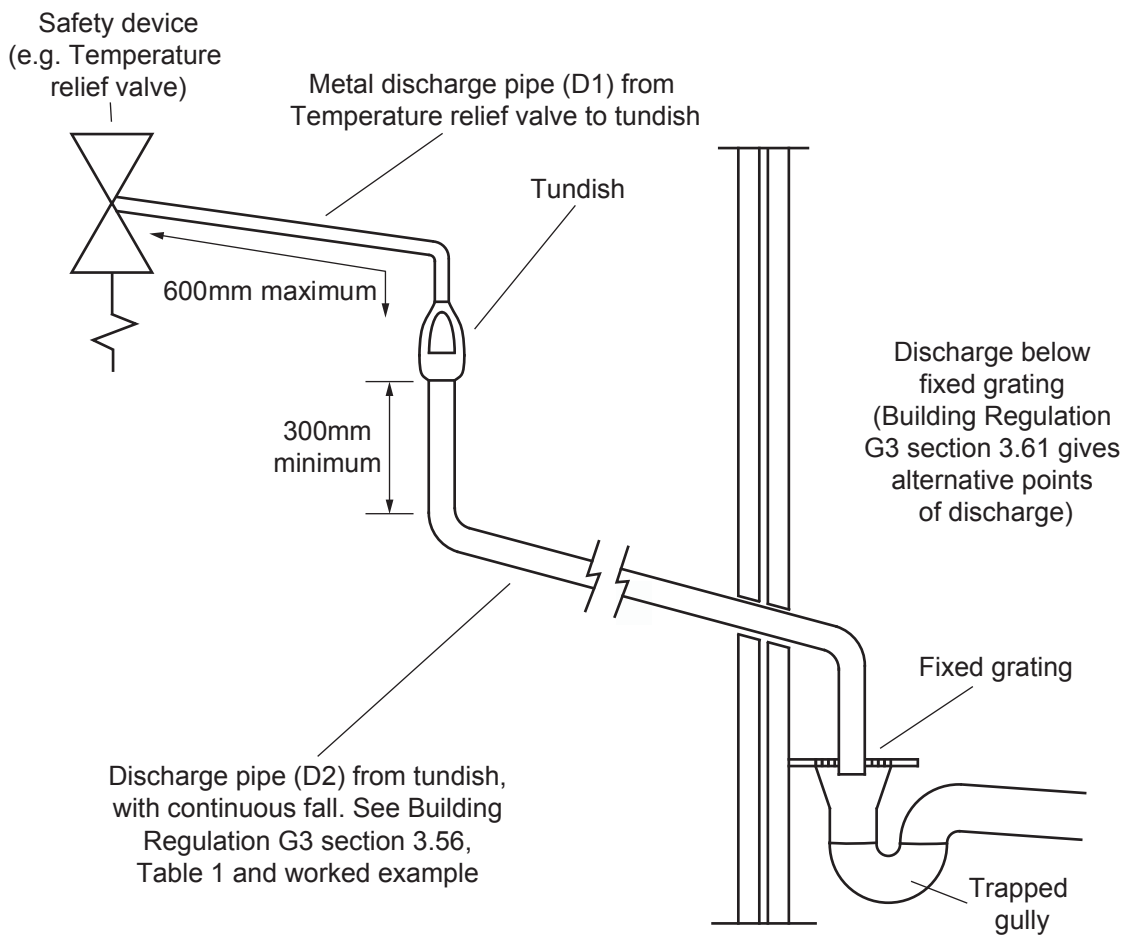


Figure 7: Typical discharge pipe arrangement (extract from Building Regulation G3 Guidance Section 3.50)

6.3 Electrical connections



WARNING

- ▶ Disconnect from the mains electrical supply before removing any covers.
- ▶ Never attempt to replace the immersion heater other than with the recommended immersion heater.
- ▶ DO NOT bypass the thermal cut-out(s) under any circumstances. Ensure the two wire terminations from the thermostat are pushed firmly onto the corresponding terminations on the element plate assembly.
- ▶ All electrical wiring should be carried out by a competent electrician and be in accordance with the latest I.E.E Wiring Regulations.
- ▶ Each circuit must be protected by a suitable fuse and double pole isolating switch with a contact separation of at least 3mm in both poles.
- ▶ DO NOT apply electrical power to the water heater until the unit has been filled with water.

- ▶ Check that the electrical supply is of sufficient current rating and voltage, see Technical Data page 5.
- ▶ A 2 metre length of flexible cable is supplied factory fitted. The cable specification is H05VV-F 3G 2.5mm². If replacing or extending the same specification of cable should be used.
- ▶ The flexible cable must be wired into an appropriately fused switched spur.
- ▶ The wires are colour coded as follows:

Green and Yellow	EARTH	
Brown	LIVE	(L)
Blue	NEUTRAL	(N)

In case of difficulty contact service support; contact details are available on page 36 of this booklet.



CAUTION

This appliance contains components that are sensitive to Electrostatic Discharge. To prevent damage to these components wear ESD wrist strap when servicing this appliance.

7. Commissioning

7.1 General



WARNING

DO NOT apply electrical power to the water heater until the unit has been filled with water.

7.2 Checklist before commissioning

- ▶ Check that all installation and discharge pipe requirements have been met.
- ▶ Check expansion vessel pre-charge pressure. The vessel is supplied precharged to 0.35MPa (3.5 bar) to match the control pressure of the Pressure Reducing Valve. The pre-charge pressure is checked using a car tyre gauge by unscrewing the plastic cap opposite the water connection.
- ▶ Open a hot tap furthest from the water heater and turn on the water supply to the water heater.
- ▶ Allow water heater to fill and leave hot tap running for a short while to purge any air and flush out the pipework.
- ▶ Open successive hot taps to purge the system of air.
- ▶ Check all water connections for leaks and rectify as necessary.
- ▶ Turn off mains water supply and depressurise unit.
- ▶ Remove the Pressure Reducing Valve head work to access the strainer mesh, clean and re-fit.
- ▶ Turn the water supply back on.
- ▶ Manually open, for a few seconds, each relief valve in turn, checking that water is discharged and runs freely through the tundish and out at the discharge point.
- ▶ Ensure that the valve(s) reseat satisfactorily.
- ▶ Check all electrical connections are tight.
- ▶ Check all earth bonding links are connected, tight and un-damaged.
- ▶ Check earth continuity, short circuits, polarity and resistance to earth.

7.3 Commissioning procedure

- ▶ Switch on electrical supply to the water heater. You will notice that the display and all options will light up for a few seconds.
- ▶ After a few seconds the display will go into its default IQ smart setting. The "°C" graphic will blink while heating.
- ▶ In this default mode the temperature of the water is automatically selected but will adjust based on the usage patterns learnt.
- ▶ Please see the operational section 8, page 16 for more information on setting the water heater up.

8. Operation

8.1 General



WARNING

- ▶ If water discharges from the Temperature/ Pressure relief valve on the cylinder shut down the heat source. Do not turn off any water supply. Contact a competent Installer for unvented water heaters to check the system.
- ▶ Do not tamper with any of the safety valves fitted to the system. If a fault is suspected contact a competent Installer.
- ▶ DO NOT bypass the thermal cut-out(s) in any circumstances.

This water heater is operated via a front mounted control panel operated by four separate buttons as shown in figure 8 below

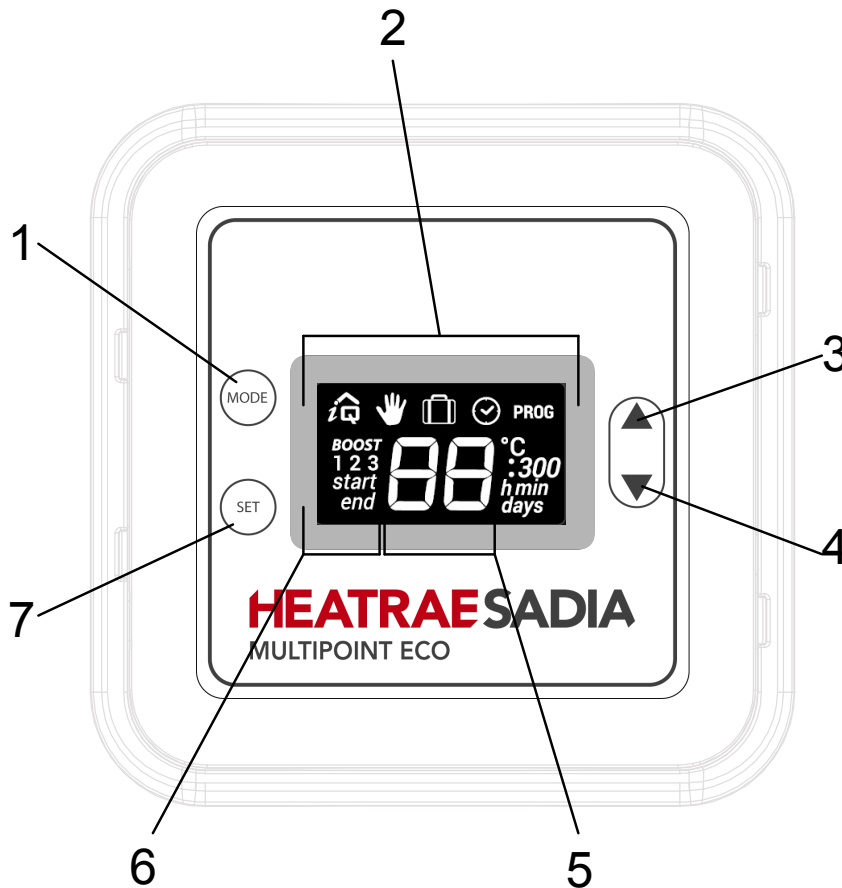



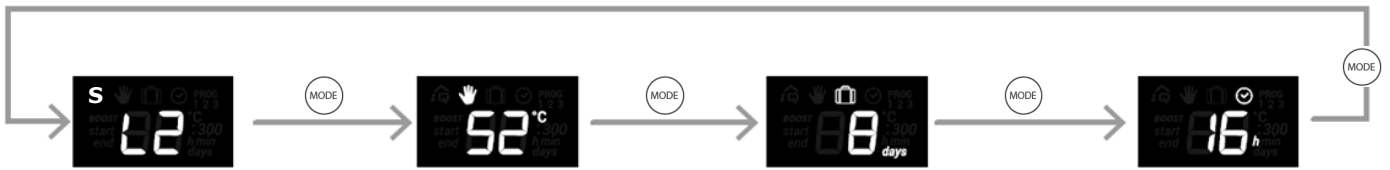
Figure 8: User interface

Item	Description
1	Mode selection and programming
2	Selected mode - Smart, Manual, Vacation and Timer
3	Temp up/level up
4	Temp down/level down
5	2 digit display
6	Program periods
7	Validation and Boost





Table 7: User interface

Mode Selection

Core modes: to move from one mode to another or to set the clock, short press  button.



The selected mode or the set of the clock is validated by pressing the  button

-  **Smart Mode:** Permanently monitors and learns hot water consumption habits and after a minimum of one week learning period, automatically adjusts hot water production according to past recorded consumptions. A minimum of hot water availability is guaranteed depending on the selected level of comfort.
-  **Manual Mode:** Maintains the total volume of water at a temperature according to the selected temperature
-  **Vacation mode:** Keeps the water temperature at a minimum level, avoiding water freezing
-  **Set Time Mode:** To set the current time in hours and minutes.

Installation

After installation of the water heater electrical power and water pipes have been connected, and after the tank is filled, the installer can turn on the power. As soon as the power is on, all segments of the LCD display are set ON for a few seconds.




After a few seconds of the test display, the unit goes in to  mode, level 4. The  blinks while the water is heating.

SMART Mode

This mode offers the option to select different levels of energy saving and comfort. The level of comfort is selected by using the ▲ or ▼, and offers 5 different levels. Level setting activation is identified by a blinking level setting value.




Level Number	Comfort Level	Energy Saving Level	Temperature °C (Min./ Max.)
L1	---	+++	(45/60)
L2	--	++	(45/63)
L3	-	+	(45/65)
L4	Balance Default factory setting	Balance Default factory setting	(45/70)
L5	++	--	(55/70)

The selected level is validated by pressing the  key.

Manual Mode

In Manual mode, the water heater regulates water temperature at a pre - set value. The temperature is selected by using the ▲ or ▼ in a range from 40 °C to 70 °C.






The requested temperature is validated by pressing the  key.


The real-time water temperature at the bottom of the tank is permanently displayed.




Vacation Mode

Whenever the premises that the water heater is installed in are unoccupied for a period of time, vacation mode can be selected. In Vacation mode, the water heater will maintain the water at a minimum temperature (4°C) preventing any risk of water freezing.




To enable the Vacation mode, short press  button until the  logo is selected and validated by .



In Vacation mode, by default, the number of vacation days is undefined . If no day period is specified, the water heater will stay in vacation mode until it is manually cancelled.

The number of days can be selected by pressing  or  and validated by . A long press will perform a fast speed day selection. This mode is cancelled by selecting a new mode.

When the specified period is over, the water heater will automatically go back to the operating mode selected before vacation mode. This mode is cancelled by selecting a new mode.

Boost

Boost mode is selected by long pressing the  key.

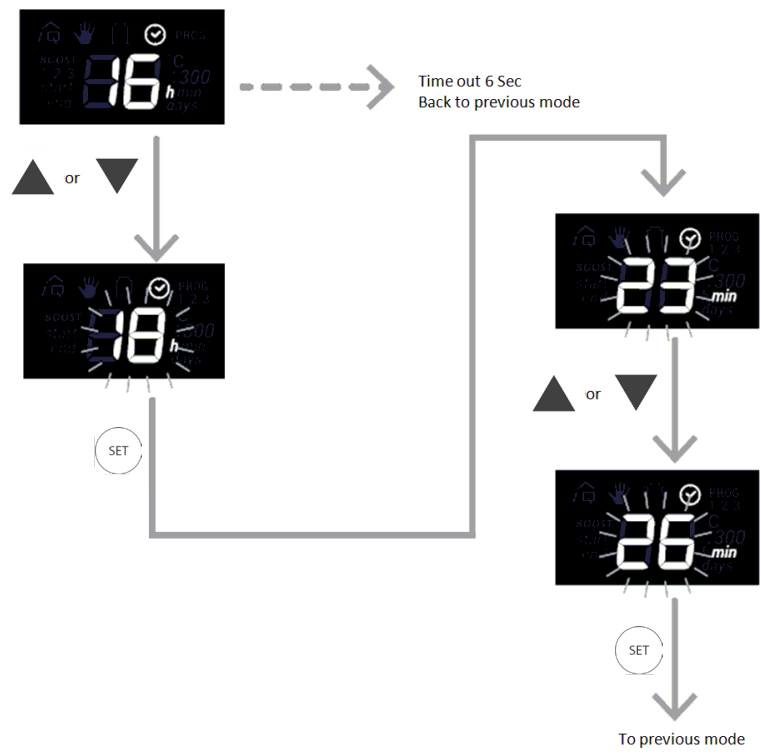
Boost mode, heats the water to the selected temperature as fast as possible. After completion of the boost it will return into the mode activated before Boost was selected. Boost can be selected at any time and overrides programme periods. The temperature is selected by using the  or , in a range from 65°C to 70°C.



The requested temperature is validated by pressing the  key.


Timer setting

Timer mode allows setting of the current time. A timer setting is mandatory before using the program mode. A long key press on ▲ or ▼ performs a fast speed hour or minute selection.

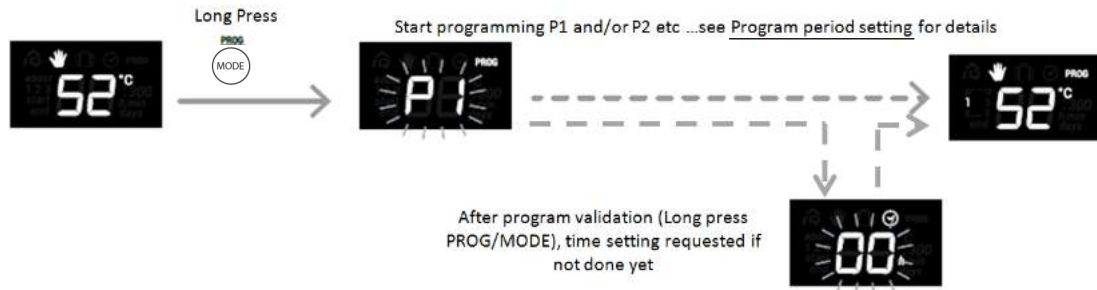


Program

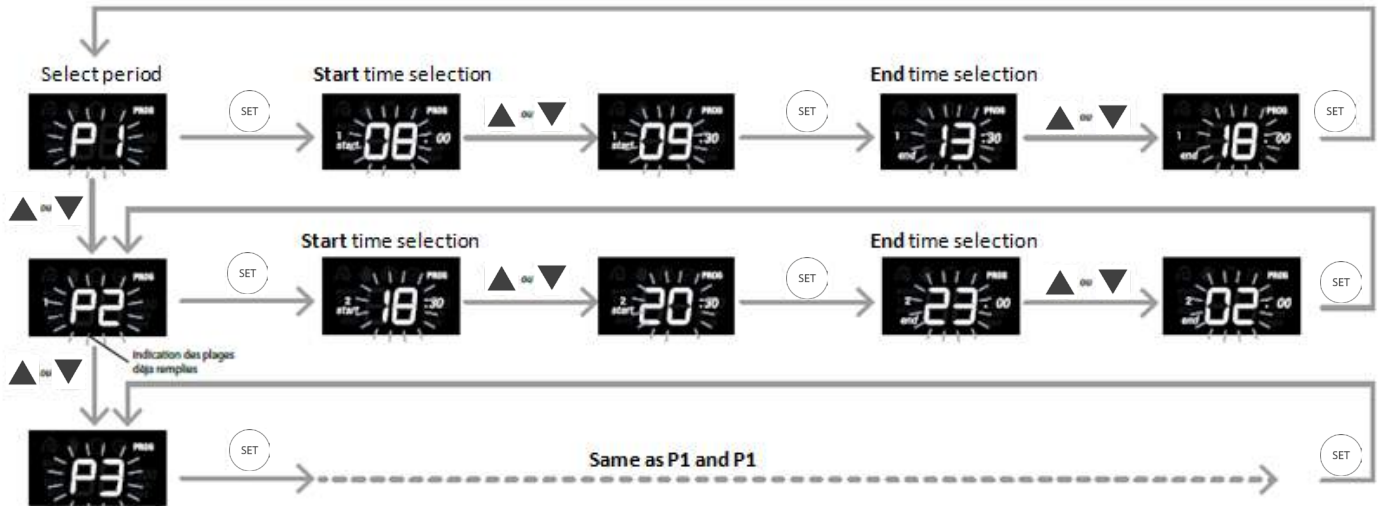
Program mode allows the user to define specific heating periods in a 24 hour day, for example they may be set to match low tariff periods from the electricity provider. The heating period is determined by setting a “start” time period and an “end” time period. Up to 3 time periods can be programmed for a 24 hour day.

If a program needs to be defined, programming mode is accessed at any time by long pressing 

PROGRAM INITIAL SETTING



Program Period Setting



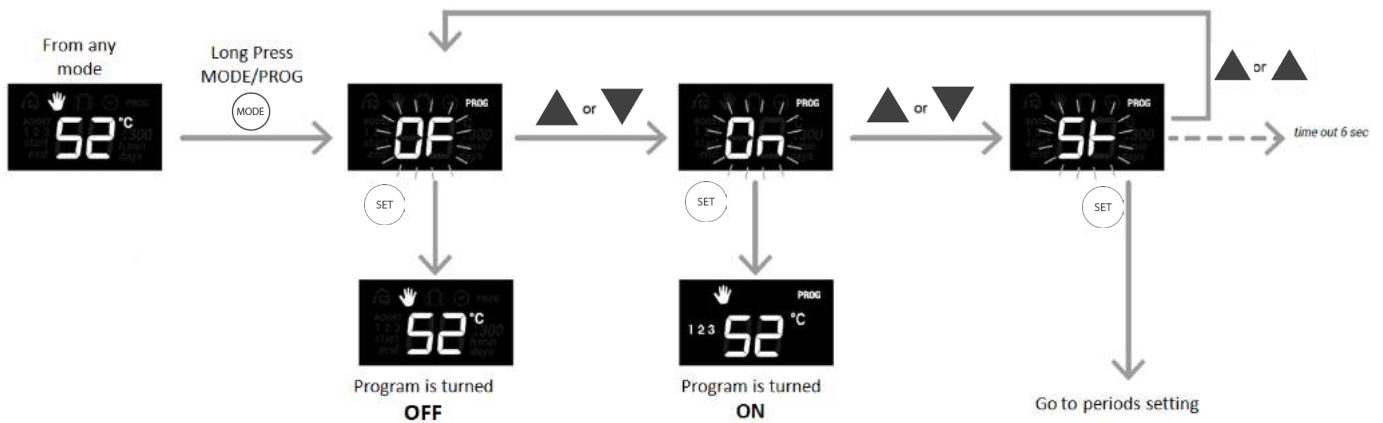
To suppress a period, simply set start time equal to end time. The period is suppressed.

PROGRAM RESET

A program reset can be performed by a general reset of the product (long press of MODE + SET). The program set is then reset but other information such as the default operating mode and temperature return to default factory settings.

Program Enable/Disable

A preset program can be disabled (OFF) or enabled (ON). This function suspends a program for an undefined period of time without clearing the program setting. When the program is enabled, "PROG" is displayed at the top right corner of the display.





Anti Legionella Cycle

The anti-legionella feature reduces the risk of development of bacteria in the water stored inside the tank. As soon as the water heater is correctly installed and in operation, and regardless of the selected mode the water temperature will be permanently monitored. Whenever risk conditions are detected, water in the tank is below 60° C for more than 21 days, the software will automatically perform a heat cycle to a temperature of 65° C.

The anti-legionella cycle is indicated by a progressive rotating rectangle, see below.



Child Lock / Unlock

To activate or disable the child lock, long press simultaneously  and  keys. Child lock is indicated by an animated display.





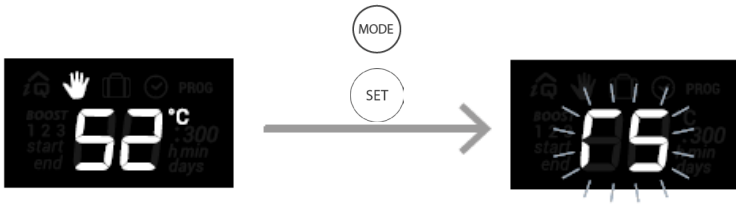
Backlight

The LCD display comes with a backlight which offers high visibility of the display in dark condition. The LCD backlight will be activated each time the product is turned ON or any key is pressed.

The backlight will automatically reduce after a time of 18s without any user interaction.

General Reset

Long press (more than 3s) of  and  to reset the controller to default factory settings .



Heating Indicator

When the water is being heated by the immersion heater this is indicated by a blinking “ °C “ in any mode.



9. Maintenance

9.1 General

Maintenance requirements

Unvented hot water systems have a continuing maintenance requirement in order to ensure safe working and optimum performance. It is essential that the relief valve(s) are periodically inspected and manually opened to ensure no blockage has occurred in the valves or discharge pipework.

Similarly cleaning of the strainer, element and replacement of the air in the expansion vessel will help to prevent possible operational faults.

The maintenance checks described below should be performed by a competent person on a regular basis.

9.2 Standard inspection & maintenance operations

Inspection

The immersion heater boss can be used as an access point for inspecting the water heater internally.

Safety valve operation



CAUTION

Water discharged may be very hot!

- ▶ Manually operate the Temperature/Pressure relief Valve for a few seconds.
- ▶ Check water is discharged and that it flows freely through the tundish and discharge pipework.
- ▶ Check the valve reseats correctly when released.
- ▶ Repeat the above procedure for the Expansion Relief Valve.

Strainer

- ▶ Turn off the cold water supply and power supply.
- ▶ The lowest hot water tap should then be opened to de-pressurise the system.
- ▶ Remove the pressure reducing cartridge to access the strainer mesh.
- ▶ Wash any particulate matter from the strainer under clean water.
- ▶ Re-assemble ensuring the seal is correctly fitted. DO NOT use any other type of sealant.

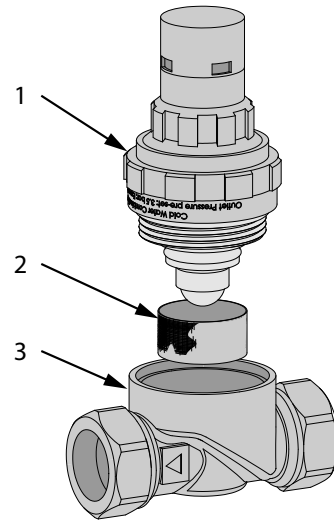


Figure 9: Pressure Reducing Valve assembly

Item	Description
1	Pressure Reducing Cartridge
2	Strainer mesh
3	Pressure Reducing Valve body

Table 7: Pressure Reducing Valve parts

Descaling immersion heater



CAUTION

Be careful when removing the immersion heater as some water will be left in bottom of appliance.

DO NOT use a sharp implement as damage to the element surface could be caused.

DO NOT scrape element clean.

- ▶ Turn off the mains water supply and isolate the electrical supply to the appliance.
- ▶ Attach a hosepipe to the drain cock having sufficient length to take water to a suitable discharge point below the level of the appliance.
- ▶ Open a hot tap close to the appliance and open drain cock to drain the appliance.
- ▶ When empty, open the cover to the immersion heater housing. Remove the securing screw then release the cover by carefully inserting a flat bladed screwdriver into the slots around the cover and gently levering outwards until the catches release (see figure 10 page, 25).
- ▶ Disconnect wiring from immersion heater terminals.
- ▶ Carefully remove the thermostat and thermal cut-out capillary sensors from the pocket on the immersion heater.
- ▶ Place a suitable receptacle beneath the immersion heater to collect any water left in the appliance.
- ▶ Unscrew immersion heater bolts and remove immersion heater from the water heater.

NOTE: Over time the immersion heater gasket may become stuck to the mating surface. To break the seal there is a separate threaded hole in the plate. Screw one of the removed bolts into this hole to help remove element.

- ▶ Carefully remove any scale from the surface of the element. Remove any loose scale from the appliance interior.
- ▶ Ensure sealing surfaces are clean and seals are undamaged, if in doubt fit a new gasket.
- ▶ Replace immersion heater ensuring correct orientation. One of the bolt holes uses a larger bolt to ensure the correct orientation.
- ▶ Tighten bolts.
- ▶ Refit the combined thermostat and thermal cut-out capillary sensor, (these two parts are joined), into pocket on the immersion heater, ensure they are pushed fully into the pocket and the capillary tubes are not kinked or damaged.
- ▶ Reconnect wires from the thermostat to the element, ensuring that the terminals are correctly engaged.
- ▶ Reconnect the earth wires to the earth stud.
- ▶ Refill the appliance. When water issues from the hot tap allow to run for a short while to purge any air

and flush through the pipework. Open successive hot taps served by the appliance to purge any air. With all hot outlets closed check all joints for leaks.

- ▶ Close immersion heater housing cover ensuring the catches are pushed fully home until they "snap" into place. Secure by replacing the screw previously removed.

Expansion vessel charge pressure



CAUTION

DO NOT OVER-CHARGE EXPANSION VESSEL

- ▶ Remove the dust cap on top of the vessel.
- ▶ De-pressurise the system by turning the mains supply off and then opening a hot tap served by the appliance.
- ▶ Check the charge pressure using a tyre pressure gauge. The pressure (with system de-pressurised) should be 0.35MPa (3.5 bar).
- ▶ If it is lower than the required setting it should be re-charged using a tyre pump (Schrader valve type).
- ▶ Re-check the pressure and when correct replace the dust cap.

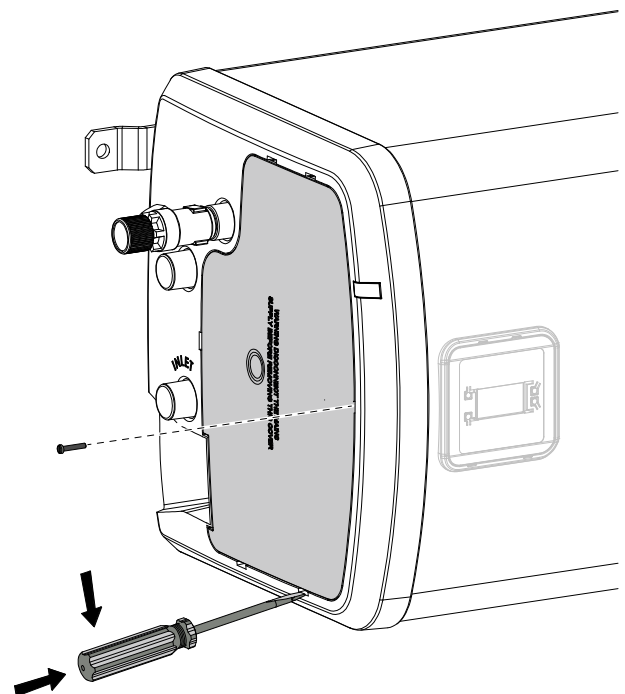


Figure 10: Cover Removal

9.3 Removal and Replacement of the LCD Display



DANGER

The LCD Printed Circuit Board (PCB) has 240V~ applied during operation. When handling the PCB, extreme care should be taken. During the removal or replacement of the LCD display ensure that the electrical power is isolated to the water heater.



CAUTION

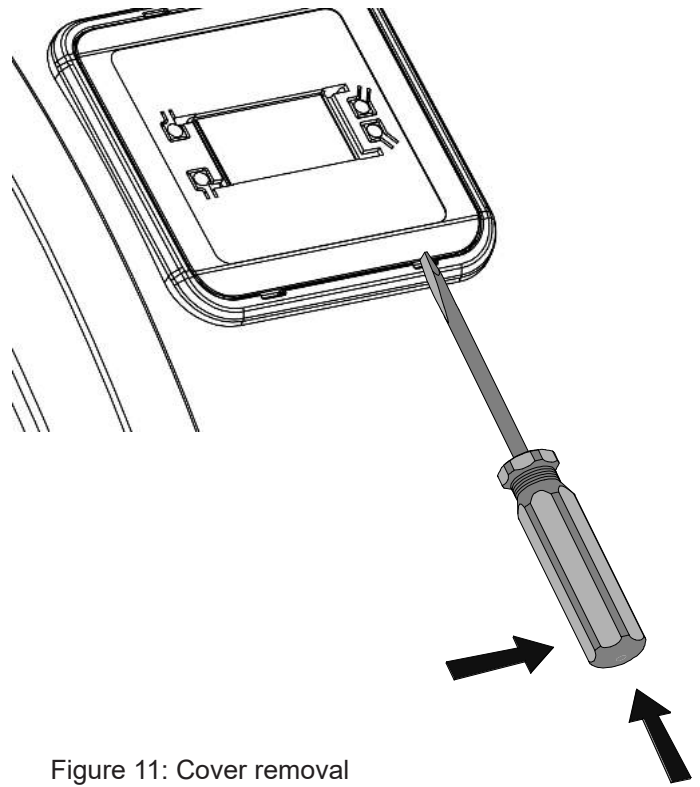


Figure 11: Cover removal



During the following procedures, ensure that the water heater is wired to the electrical power source for earth continuity.

Removal

- ▶ Isolate the electrical power to the water heater, at the fused spur.
- ▶ Open the cover to the immersion heater housing. Remove the securing screw then release the cover by carefully inserting a flat bladed screwdriver into the slots around the cover and gently levering outwards until the catches release (see Figure 10, page 25).
- ▶ To remove the LCD display, using a flat bladed screwdriver into the slots around the cover and gently levering outwards until each of the four catches release (see Figure 11, page 26).
- ▶ Using an appropriate 'tested' ESD wrist strap with a crocodile clip at the opposite end of the lead to the wrist strap, connect the crocodile clip onto the earth point on the immersion heater (see Figure 12, page 26).
- ▶ Gently pull the LCD and moulding assembly away from the water heater. Turn the assembly over.
- ▶ Gently remove the ribbon cable attached to the back of the LCD Printed Circuit Board, by pulling the ribbon cable plug out of the PCB socket.

Replacement

- ▶ The replacement of the LCD Display is the reversal of the removal, as follows;
- ▶ Using an appropriate 'tested' ESD wrist strap with a crocodile clip at the opposite end of the lead to the wrist strap, connect the crocodile clip onto the earth point on the immersion heater (see Figure 12, page 26).

- ▶ Remove the LCD and moulding assembly from the ElectroStatic Discharge (ESD) protective bag.
- ▶ Align the ribbon cable plug and PCB socket, observing the correct orientation, then gently press the plug into the socket. Note, the plug will fit only one way around.
- ▶ Align the LCD and moulding assembly with the clips, ensure that there is no risk of the ribbon cable being trapped. Push any excess ribbon cable into the tube that it travels through.
- ▶ Gentle push on the moulding over each clip feature in turn ensuring an audible 'click' is heard.
- ▶ Visually inspect the cover to ensure that it is clipped onto the water heater correctly.
- ▶ If all other scheduled servicing has been completed, switch the electrical power back on.
- ▶ Visually check that the display is powered correctly and that the buttons operate correctly (see Section 8, Operation, page 16).

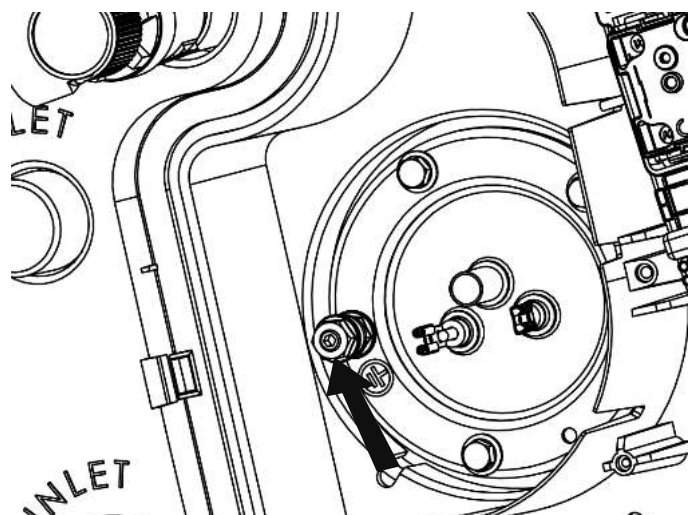


Figure 12: Earth Post

9.4 Removal and Replacement of the Electronic Thermostat



DANGER

The electronic thermostat (iBD) has 240V ~ applied during normal operation. When handling the thermostat, extreme care should be taken. During the removal or replacement of the thermostat ensure that the electrical power is isolated to the water heater.



If an iBD, ribbon cable or the LCD Display are diagnosed faulty, the iBD, LCD and interconnecting ribbon cable should all be removed from the water heater and replaced with spares part number 7718334. **If the faulty parts are under the warranty period, section 11, page 30, all parts must be returned for investigation together under this warranty provision.**

Removal

- ▶ Isolate the electrical power to the water heater.
- ▶ Open the cover to the immersion heater housing. Remove the securing screw then release the cover by carefully inserting a flat bladed screwdriver into the slots around the cover and gently levering outwards until the catches release (see Figure 10, page 25).
- ▶ Gently remove the thermostats from the immersion heater thermostat pocket by gently pulling them out of the pocket until the capillary sensor and thermistor (NTC) are clear of the pocket.
- ▶ Gently remove the ribbon cable attached to the electronic thermostat (iBD), by pulling the ribbon cable plug out of the iBD socket.

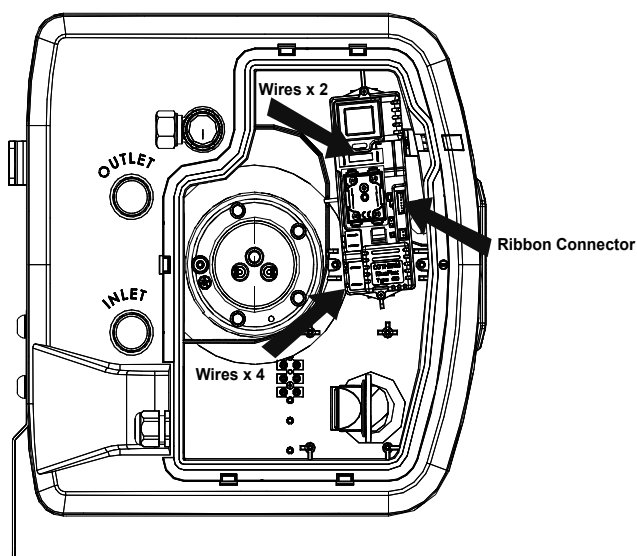


Figure 13: iBD Wiring removal

- ▶ Gently remove the two power wires from the iBD, (see fig 13).
- ▶ Gently remove the four wires from the iBD, (see fig 13).
- ▶ Unscrew the two securing screws that secure the iBD to the casing, (see fig 14 below).

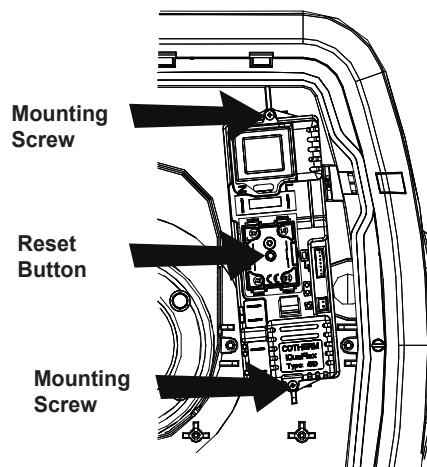


Figure 14: iBD removal

Replacement

- ▶ Replacing the iBD is the reverse process of the removal.
- ▶ Screw the two securing screws to secure the iBD to the casing, (see fig 14).
- ▶ Fit the four wires to the iBD, see fig 13 opposite, ensuring that each wire is correctly positioned, each wire is identified with the connection, (refer to fig 2 page 7, wiring diagram).
- ▶ Fit the two power wires from the iBD, (see fig 13), observing the correct polarity, L (Red) and N (Black).
- ▶ Gently fit the ribbon cable to the (iBD), by pushing the ribbon cable plug into the iBD socket, observing the correct orientation.
- ▶ Gently fit the thermostats into the immersion heater thermostat pocket by gently pushing them into the pocket until the capillary sensor and thermistor (NTC) are at the end of the pocket.
- ▶ Perform a visual check to ensure all connections are correctly engaged and that there are no loose connections and that cable routing is tidy.
- ▶ Ensure that the thermostat wire and the safety cut out capillary are not touching the wires connected to the immersion heater.
- ▶ Fit the cover by correctly aligning and then carefully pushing on each of the clip features. Secure with the securing screw.
- ▶ When satisfied that everything is correctly connected and positioned, electrical power can be switched back onto the water heater.

10. Troubleshooting



WARNING

DO NOT tamper with any of the safety valves or controls supplied with the water heater as this will invalidate any warranty.

Water contained in the water heater may be very hot, especially following a thermal control failure. Caution must be taken when drawing water from the water heater.

10.1 Fault finding

Important

- ▶ Servicing should only be carried out by competent persons in the installation and maintenance of unvented water heating systems.
- ▶ Any spare parts used MUST be authorised parts.
- ▶ Disconnect the electrical supply before removing any electrical equipment covers.
- ▶ NEVER bypass any thermal controls or operate system without the necessary safety valves.
- ▶ The Fault Finding Chart (table 8) will enable operational faults to be identified and their possible causes rectified. Any work carried out on the unvented appliance and its associated controls MUST be carried out by a competent Installer for unvented water heating systems. In case of doubt contact service support (see contact details on page 36).

Fault	Possible cause	Remedy
Water not heating	Electrical supply fault.	Check electrical supply.
	Thermal cut out tripped.	Check for error code E2. If operated then reset. Check thermostat & replace if necessary.
	Thermostat setting too low or faulty.	Check program/settings and adjust if required
	Element Failure.	Replace immersion heater.
Discharge of water from Expansion (pressure) relief valve (continuously).	Excessive mains water pressure.	Check pressure from Pressure reducing valve. Replace if greater than 0.35MPa (3.5bar / 51psi)
	Expansion (pressure) relief valve fault.	Replace Expansion (pressure) relief valve.
Discharge of water from Expansion (pressure) relief valve (intermittently).	Loss of pressure from expansion vessel.	Check and if necessary recharge expansion vessel precharge pressure.
Discharge of water from temperature/pressure relief valve and/or water/steam from pressure relief valve	Thermostat and thermal cut out fault.	Replace iBD electronic thermostat.
No water flow	Product incorrectly installed.	Check inlet & outlet connections are correct. Check valves are installed in accordance with flow direction marks.
	Mains water supply not turned on.	Check mains water supply is turned on.
	Blockage in mains water supply.	Check mains water supply for obstructions. Check strainer in pressure reducing valve.
"Milky water"	Oxygenated water	Water from a pressurised system releases oxygen bubbles when flowing. The milkiness will disappear after a short while.

Table 8: Fault finding chart

Spare Parts

A full range of spare parts are available for the appliance range (table 9, page 33). Refer to the technical data label on the appliance to identify the model installed and ensure the correct part is ordered. You will need to quote the serial number, which is printed on the data label.

10.2 Error codes / Trouble Shooting

Error codes are indicated by “ E ” + the error code number.

The error is displayed until a reset is performed (Mode + Set) or the Error is suppressed.

ERROR CODE 1: NTC ERROR

In case the NTC sensor is damaged, Error code 01 is displayed



If the error is maintained after the product is turned OFF and ON and a factory reset, the thermostat has to be replaced.

ERROR CODE 2: SAFETY OPEN (IBD ONLY)

The product detects that the safety cut out has opened the electric contacts removing power from the heating circuit. The origin is likely to be an unexpected overheating condition in the water tank. Flush the tank through with cold water to cool it down before resetting (See Fig 14 page 27).



If the error is repeated after a manual reset or general reset, replace the thermostat controller.

ERROR CODE 3: FAST HEATING OVERHEAT (DRY START CONDITION)



Water heater immersion is < ON > with no water in the tank or the immersion heater is covered with excessive lime scale.

Turn off the water heater and before starting again check the presence of water in the tank, clean the heating element from lime scale or replace it, see section 9.2 Maintenance. Heating with an empty tank can damage the water heater.

ERROR CODE 4: UNEXPECTED LONG HEATING PERIOD

The product can detect a heating period which is much longer than expected. In this case, the origin of the issue can be: a defective heating element, a defective relay, a leakage on the hot water outlet circuit (hot water tap open) or over usage.



If the error is repeated after a manual reset or general reset, contact an Engineer.

ERROR CODE 5: EEPROM FAILURE



If the error is maintained after turning ON and OFF and a general reset, replace the foreground display.

11. Warranty

11.1 General

The Multipoint warranty provides a high level of Customer support and peace of mind in the unlikely event that a problem arises from a manufacturing defect. It is supported by a nationwide team of field-based Engineers and our own call centre.

The warranty covers Multipoint appliances installed in domestic and commercial properties for the following periods:

- ▶ Stainless steel storage vessel and connections - 15 years
- ▶ Cold water control valves supplied with the appliance - 2 years
- ▶ Expansion vessel supplied with the appliance - 2 years
- ▶ Immersion heater assembly - 2 years
- ▶ Electrical controls as factory fitted to the appliance - 2 years

The warranty periods apply from the date of purchase and include both parts (where supplied by Heatrae Sadia) and labour.

This warranty is valid for installations within the United Kingdom. For installations in the Republic of Ireland please contact Potterton Myson (Ireland) Limited on +353 (0) 1 4590870 for warranty terms and conditions applicable. For installations outside of the United Kingdom and the ROI please contact Heatrae Sadia Export on +44 1603 420271 for warranty terms and conditions applicable.

This warranty does not affect your statutory rights.

11.2 Warranty conditions

The warranty is given provided that the following conditions have been met:

- ▶ The appliance has been installed by a competent Installer in accordance with the instructions contained in this manual and in compliance with all relevant laws, guidance, codes of practice and regulations in force at the time of installation.
- ▶ The appliance has not been modified or tampered with in any way, other than by Heatrae Sadia or authorised Engineers.
- ▶ The appliance or any part or parts of the appliance (whether factory fitted or otherwise) have not been repaired or replaced other than by a Heatrae Sadia authorised Engineer and any replacement parts used on the appliance are authorised Heatrae Sadia spare parts.
- ▶ The factory fitted Temperature & Pressure Relief Valve has not been tampered with or removed.
- ▶ The appliance has not been subject to damage caused by the build up of scale.
- ▶ The appliance has not been subjected to frost or freezing temperatures.
- ▶ The appliance has not been subjected to misuse or neglect.

- ▶ The appliance has not been subject to wilful or accidental damage caused by your negligence.
- ▶ Regular maintenance has been carried out by a competent person or a Heatrae Sadia authorised Engineer in accordance with the maintenance requirements set out in this manual.
- ▶ The appliance is registered within 30 days of purchase. This can be done by online at www.heatraesadia.com/customer-support/warranty-registration or by using the registration form supplied with the appliance.
- ▶ The appliance has not been affected by any cause beyond our reasonable control including, without limitation: an act of God, explosion, flood, fire or accident; war or civil disturbance; strike, industrial action or stoppages of work; any form of government intervention; a third party act or omission including theft or malicious damage; failure by you to give us a correct delivery address or notify us of any change of address.

11.3 Water supply requirements

This appliance must only be used for the storage of wholesome water. The storage of water from supplies not meeting the requirements of the Water Supply (Water Quality) Regulations will invalidate the warranty. Any disinfection procedure must be carried out in accordance with BS EN 806 and the complete system be thoroughly flushed following application of any disinfection solution.

11.4 Claims under warranty

In order to claim against the warranty the following should be noted:

- ▶ Defects should be reported to Heatrae Sadia as soon as you are aware of them. Please report any defect to Heatrae Sadia by contacting 0344 871 1535.
- ▶ Evidence of purchase (for example a receipt or delivery note) and date of supply is submitted when making a claim.
- ▶ Access should be available, at reasonable times and upon reasonable notice, to the appliance to allow any inspection, repair or replacement.
- ▶ The appliance should not be removed from its place of installation so a Heatrae Sadia authorised Engineer can assess the complete installation.

11.5 Exclusions

The following exclusions apply:

- ▶ Any third party repair or replacement costs, unless those costs have been agreed and authorised by Heatrae Sadia in writing prior to incurring those costs, will not be met.
- ▶ Heatrae Sadia accepts no liability for any third party damage, any indirect and consequential losses and any loss of earnings, loss of business, or losses in relation to stress and inconvenience, howsoever caused.

12. Decommissioning

12.1 Decommissioning procedure

- ▶ Isolate electrical supplies and make safe
- ▶ Isolate the water supply
- ▶ Drain the appliance
- ▶ Remove appliance
- ▶ Cap pipework

Environmental information

Products are manufactured from many recyclable materials. At the end of their useful life they should be disposed of at a Local Authority Recycling Centre in order to realise the full environmental benefits.

Insulation is by means of an approved CFC/HCFC free polyurethane foam with an ozone depletion factor of zero.

WEEE Declaration

Disposal of Waste Equipment by Users in Private Households in the European Union.



This symbol on the product indicates that this product must not be disposed of with your other household waste. Instead, it is your responsibility to dispose of your waste equipment by handing it over to a designated collection point for the recycling of waste electrical equipment. The separate collection and recycling of your waste equipment at the time of disposal will help to conserve natural resources and ensure that it is recycled in a manner that protects human health and the environment. For more information about where you can drop off your waste equipment for recycling, please contact your local city office, your household waste disposal service or the company where this product was purchased.

13. Spare parts

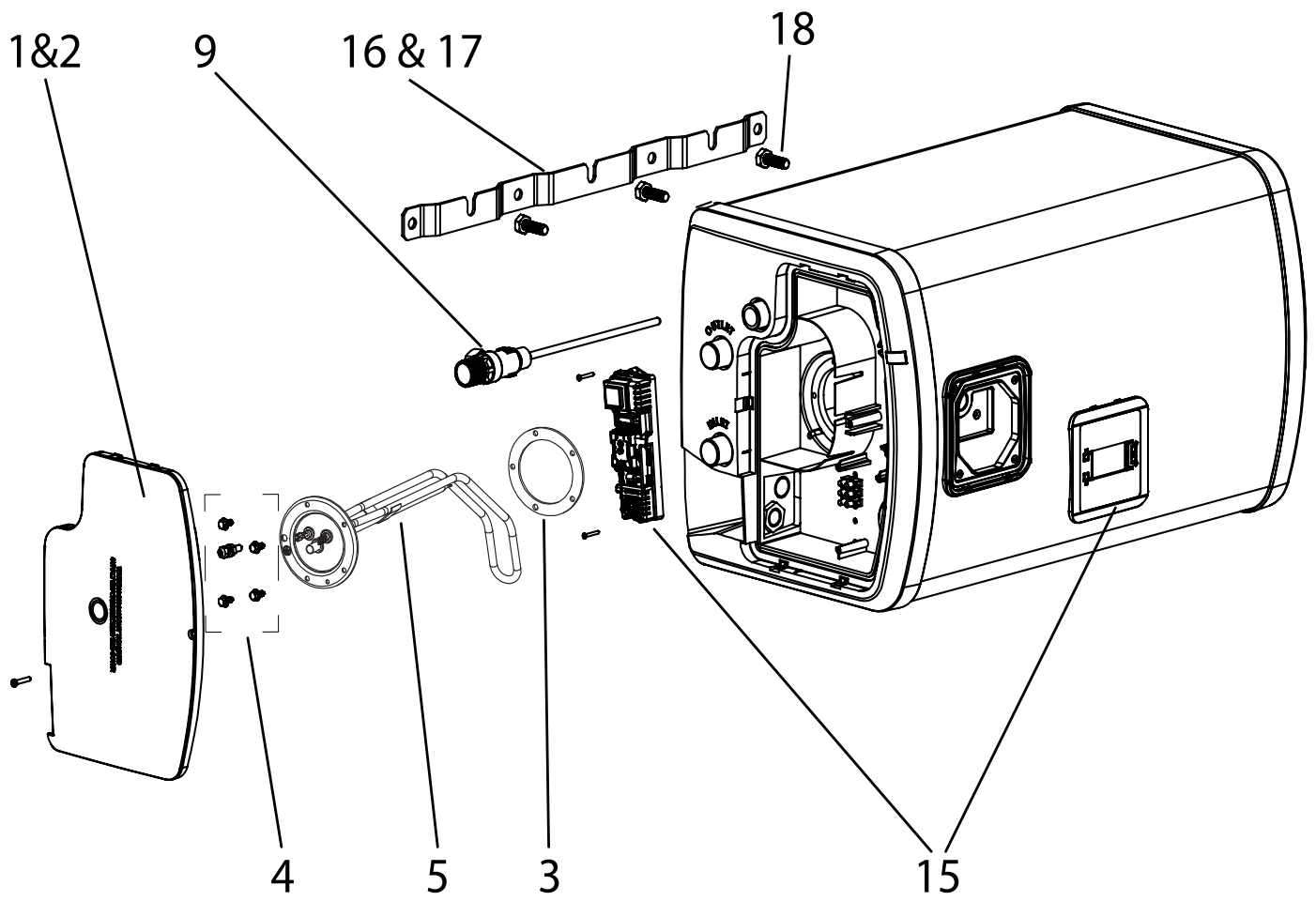


Figure 11: Spare parts

13.1 Spare parts list

Item	Description	Part Number
1	Electrical cover grey small (30L - 50L)	7702748
2	Electrical cover grey large (80L - 100L)	7702749
3	Immersion heater gasket	95611708
4	Immersion heater fixings	7037707
5	Immersion heater assembly H - 3.0kW 240V~	7037710
6	Expansion vessel 8 litre (not shown)	95607675
7	Expansion vessel 12 litre (not shown)	95607863
8	Expansion vessel bracket 8 & 12 litre (not shown)	95607313
9	T&P relief valve	95605084
10	Pressure (expansion) relief valve 0.6 Mpa (6 bar) (not shown)	95607986
11	Pressure reducing valve (not shown)	95605082
12	Tundish (not shown)	95605838
13	Non return valve 22mm (not shown)	7037720
14	Indicator light/neon iBD (not shown)	7702754
15	Thermostat control assembly H	7718334
16	Wall bracket horizontal small (no bolts) (30L)	7037734
17	Wall bracket horizontal large (no bolts) (50 - 100L)	7037735
18	Fixing bracket bolt kit (unit side only)	7037737
19	Bracket fixing bottom (not shown)	7034212
20	M8 ext tooth lock washer a2 ss (not shown)	7034210
21	Bolt security torx m8x16 (not shown)	7034211
22	Compression nuts & olives (not shown)	95607253

Table 9: Spares table



If spares item no.15 in the spares list above, part number 7718334, is required to be used, all components provided in this kit of parts must be exchanged. If the faulty parts being replaced are covered under the warranty provision, see section 11, page 30, all exchanged faulty parts must be returned in line with the current returns process to Baxi Genuine Parts for investigation.

MAINS PRESSURE HOT WATER STORAGE SYSTEM COMMISSIONING CHECKLIST

This Commissioning Checklist is to be completed in full by the competent person who commissioned the storage system as a means of demonstrating compliance with the appropriate Building Regulations and then handed to the customer to keep for future reference.

Failure to install and commission this equipment to the manufacturer's instructions may invalidate the warranty but does not affect statutory rights.

Customer Name _____ Telephone Number _____
 Address _____
 Cylinder Make and Model _____
 Cylinder Serial Number _____
 Commissioned by (print name) _____ Registered Operative ID Number _____
 Company Name _____ Telephone Number _____
 Company Address _____ Commissioning Date _____

To be completed by the customer on receipt of a Building Regulations Compliance Certificate*:

Building Regulations Notification Number (if applicable) _____

ALL SYSTEMS PRIMARY SETTINGS (indirect heating only)

Is the primary circuit a sealed or open vented system? Sealed Open
 What is the maximum primary flow temperature? _____ °C

ALL SYSTEMS

What is the incoming static cold water pressure at the inlet to the system? _____ bar
 Has a strainer been cleaned of installation debris (if fitted)? Yes No
 Is the installation in a hard water area (above 200ppm)? Yes No
 If yes, has a water scale reducer been fitted? Yes No
 What type of scale reducer has been fitted? _____
 What is the hot water thermostat set temperature? _____ °C
 What is the maximum hot water flow rate at set thermostat temperature (measured at high flow outlet)? _____ l/min
 Time and temperature controls have been fitted in compliance with Part L of the Building Regulations? Yes
 Type of control system (if applicable) Y Plan S Plan Other
 Is the cylinder solar (or other renewable) compatible? Yes No
 What is the hot water temperature at the nearest outlet? _____ °C
 All appropriate pipes have been insulated up to 1 metre or the point where they become concealed Yes

UNVENTED SYSTEMS ONLY

Where is the pressure reducing valve situated (if fitted)? _____
 What is the pressure reducing valve setting? _____ bar
 Has a combined temperature and pressure relief valve and expansion valve been fitted and discharge tested? Yes No
 The tundish and discharge pipework have been connected and terminated to Part G of the Building Regulations Yes
 Are all energy sources fitted with a cut out device? Yes No
 Has the expansion vessel or internal air space been checked? Yes No

THERMAL STORES ONLY

What store temperature is achievable? _____ °C
 What is the maximum hot water temperature? _____ °C

ALL INSTALLATIONS

The hot water system complies with the appropriate Building Regulations Yes
 The system has been installed and commissioned in accordance with the manufacturer's instructions Yes
 The system controls have been demonstrated to and understood by the customer Yes
 The manufacturer's literature, including Benchmark Checklist and Service Record, has been explained and left with the customer Yes

Commissioning Engineer's Signature _____

Customer's Signature _____
 (To confirm satisfactory demonstration and receipt of manufacturer's literature)

*All installations in England and Wales must be notified to Local Authority Building Control (LABC) either directly or through a Competent Persons Scheme. A Building Regulations Compliance Certificate will then be issued to the customer.



SERVICE RECORD

It is recommended that your hot water system is serviced regularly and that the appropriate Service Record is completed.

Service Provider

Before completing the appropriate Service Record below, please ensure you have carried out the service as described in the manufacturer's instructions.

SERVICE 1 Date

Engineer Name _____

Company Name _____

Telephone Number _____

Comments _____

Signature _____

SERVICE 2 Date

Engineer Name _____

Company Name _____

Telephone Number _____

Comments _____

Signature _____

SERVICE 3 Date

Engineer Name _____

Company Name _____

Telephone Number _____

Comments _____

Signature _____

SERVICE 4 Date

Engineer Name _____

Company Name _____

Telephone Number _____

Comments _____

Signature _____

SERVICE 5 Date

Engineer Name _____

Company Name _____

Telephone Number _____

Comments _____

Signature _____

SERVICE 6 Date

Engineer Name _____

Company Name _____

Telephone Number _____

Comments _____

Signature _____

SERVICE 7 Date

Engineer Name _____

Company Name _____

Telephone Number _____

Comments _____

Signature _____

SERVICE 8 Date

Engineer Name _____

Company Name _____

Telephone Number _____

Comments _____

Signature _____

SERVICE 9 Date

Engineer Name _____

Company Name _____

Telephone Number _____

Comments _____

Signature _____

SERVICE 10 Date

Engineer Name _____

Company Name _____

Telephone Number _____

Comments _____

Signature _____

HEATRAESADIA

SMARTER | CLEANER | WARMER

Electric Water Heating Co.

2 Horsecroft Place
Pinnacles
Harlow
Essex CM19 5BT
Tel: 0845 0553811
E-Mail: sales@ewh.co.uk

SPD

Special Product Division
Units 9 & 10
Hexagon Business Centre
Springfield Road
Hayes
Middlesex UB4 0TY
Tel: 020 8606 3567

Parts Center

Tel: 0344 292 7057
www.partscenter.co.uk

Newey & Eyre

Unit 3-5 Wassage Way
Hampton Lovett Ind. Estate
Droitwich, Worcestershire
WR9 0NX
Tel: 01905 791500
Fax: 01905 791501

UK Spares Ltd

Unit 1155
Aztec West
Almondsbury
Bristol BS32 4TF
Tel: 01454 620500

Alternatively contact your
local supplying merchant
or wholesale branch or use
our online stockist finder at
www.interpartspares.co.uk

Please follow us online:



SPECIFICATION ADVICE HOTLINE

t | 01603 420220 e | specifier@heatraesadia.com

AFTER SALES SERVICE

t | 0344 871 1535 e | customer.support@heatraesadia.com

w | heatraesadia.com



OUR NATIONWIDE NETWORK OF CUSTOMER SUPPORT ENGINEERS

Heatrae Sadia has its very own dedicated nationwide network of highly trained customer support engineers so you can have peace of mind that we're always here to help.

PRODUCT RANGE

Full specification details on all our products are available to download from our website.

To support our corporate responsibility and sustainability charters and reduce our printed material we encourage you to download product brochures from our website.

In designing these files we have taken into account the need to access data on screen.

If you would like to receive a printed copy of our full product catalogue please call our literature hotline on 01603 420127.

Heatrae Sadia Heating may introduce modifications to their products from time to time. Consequently, the details given in this brochure are subject to alteration without notice.



7697325

7713789_issue_07