

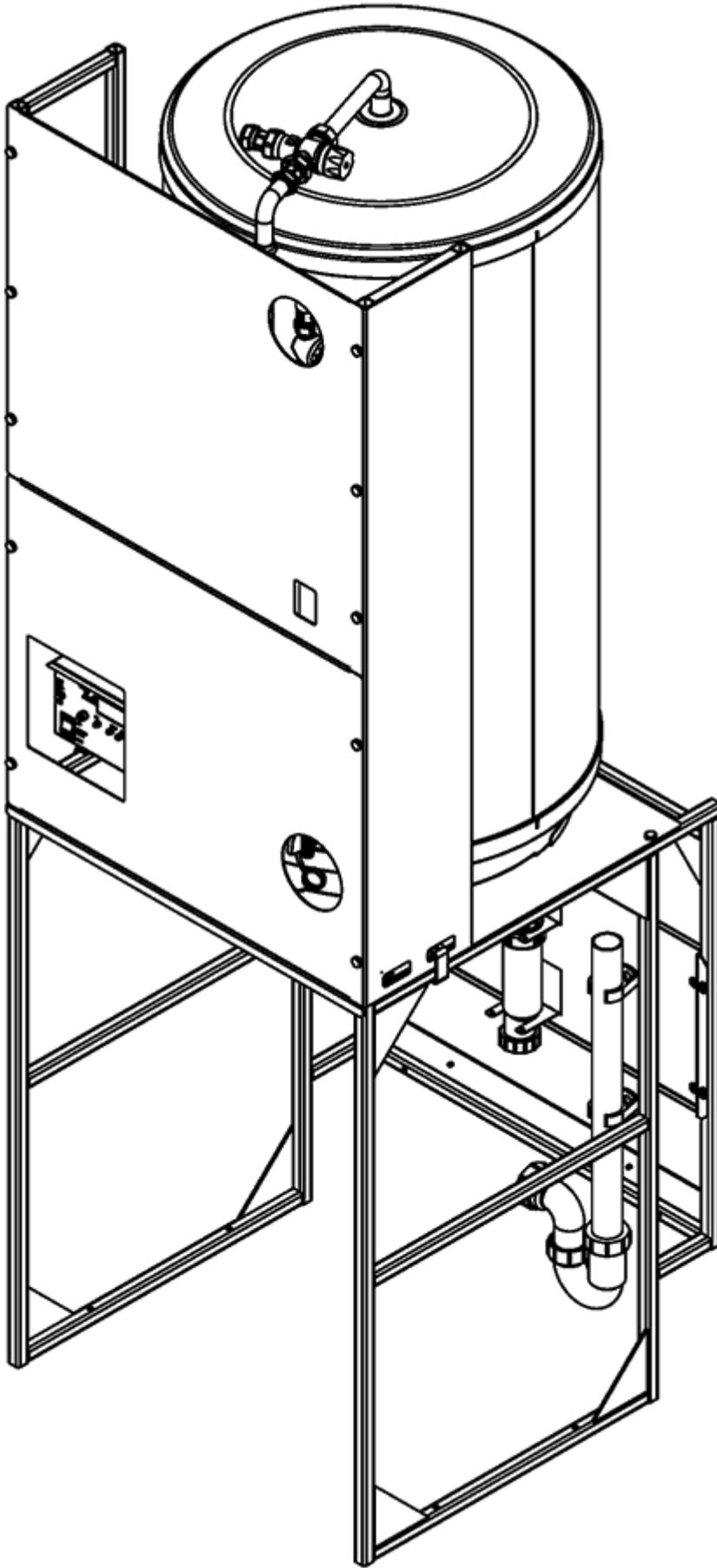
PN 24700132 Issue 10

# **HEATRAESADIA**

SMARTER | CLEANER | WARMER

## **MODESTY PANELS**

### **Installation Instructions for frame mounted panels**



## IMPORTANT

Please read & understand these instructions along with the other equipment instructions within your heating system before commencing installation. Please leave this manual with the user for future reference.

page 1

# 1. Contents

1. Contents

2. Safety

3. Dimensions

4. Fitting Instructions

5. Spares

6. Sales, support

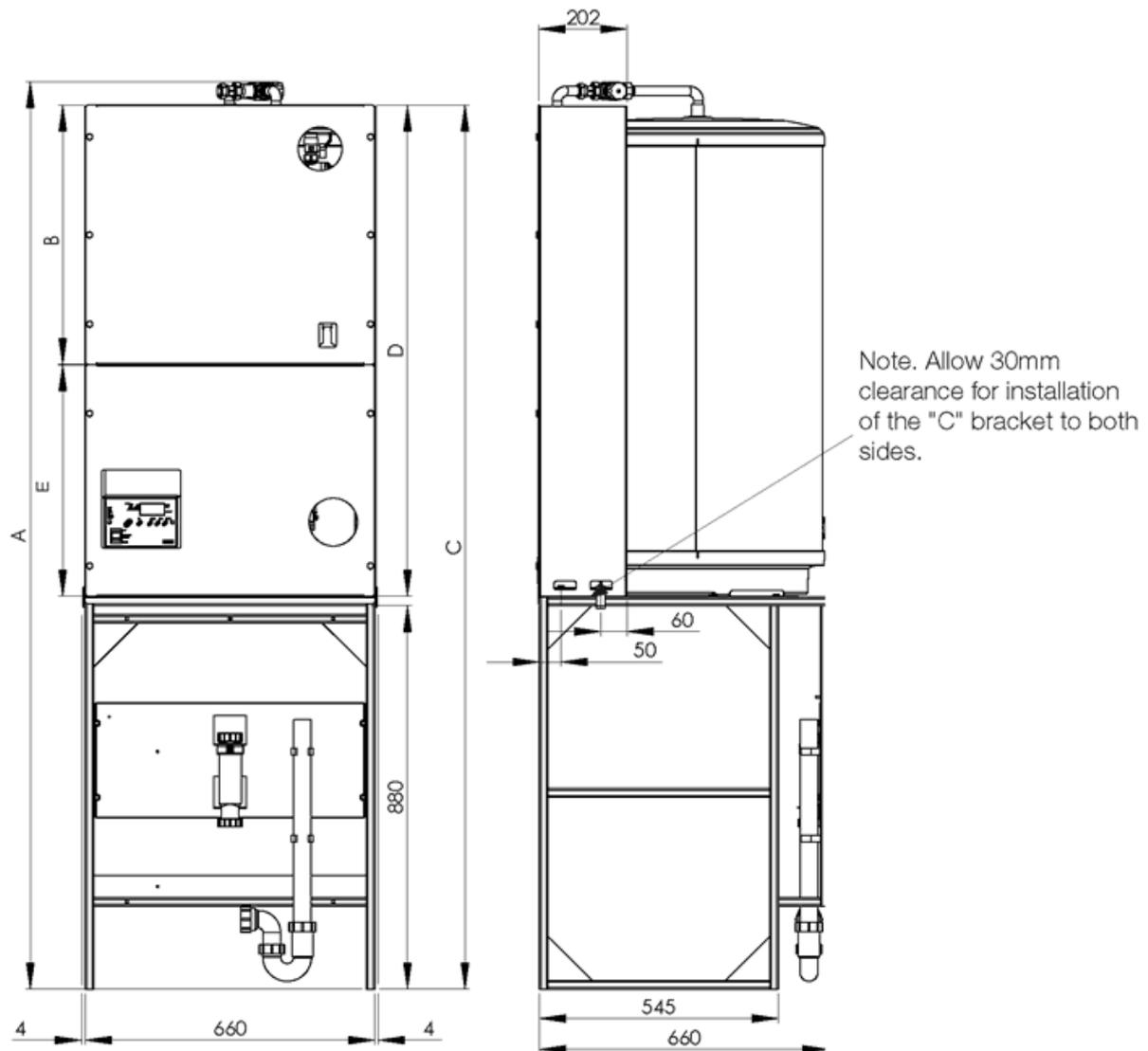
# 2. Safety



## WARNING

- # When handling the unit, take appropriate precautions for the weight and stability of the unit.
- # Follow the instructions carefully.
- # It is recommended that the finished installation is checked by a qualified electrician for earth continuity.
- # The provided shakeproof washers are essential to creating earth continuity within the product and **MUST** be used.  
Please refer to operation 8 of the fitting instructions on page 3.

# 3. Dimensions



Dimension / Connection	125	145	170
A	2082	2208	2364
B	595	720	877
C	2029	2154	2311
D	1127	1252	1409
E	531	531	531

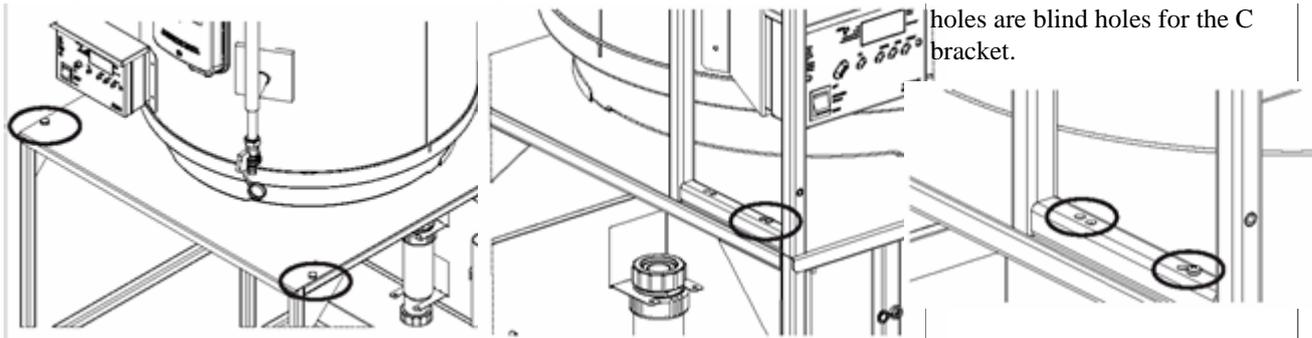
All dimensions are reference only

Note: Side frame and side panel can be switched to suit site requirements.

page 2

## 4. Fitting Instructions

1. Remove front screws from cylinder support frame.	2. Using 1 No. M4x35mm screw and a shakeproof washer fix the side frame to the cylinder frame.	3. Note there are four holes in the bottom of the side frame / panel. The outer holes are through holes to screw through to the cylinder frame and the inner
---	--	--

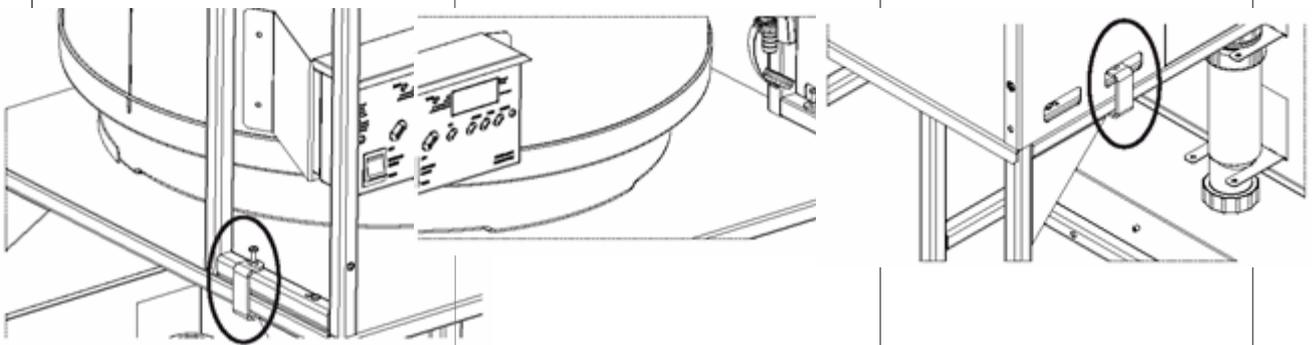


holes are blind holes for the C bracket.

4. Using the C bracket, secure the back of the side frame with 1 No. M4x35mm screw.

5. Using 1 No. M4x35mm screw and shakeproof washer fix the side panel to the cylinder frame.

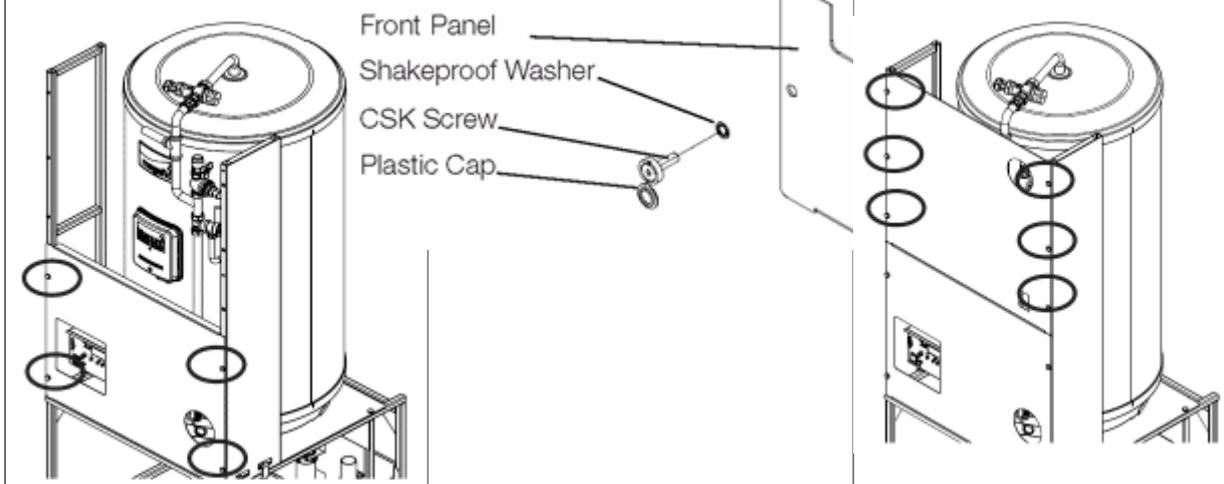
6. Using the C bracket, secure the back of the side panel with 1 No. M4x35mm screw.



7. Using M5x20mm screws, shakeproof washers & plastic caps fit lower front panel.

8. When fixing the panels ensure that the shakeproof washers are correctly fitted

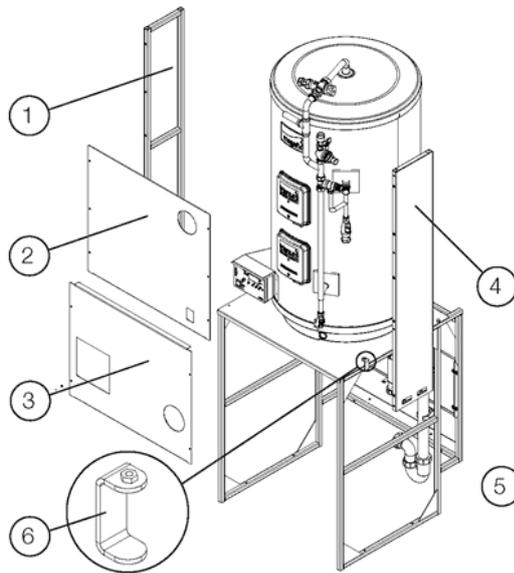
9. Using M5x20mm screw, shakeproof washer & plastic cap fit upper front panel.



## 5. Spares

Item	eco 125dd	eco 145dd	eco 170dd	Description
1	24800009	24800013	24800018	Side Support Frame
2	24800012	24800015	24800020	Upper Front Modesty Panel
3	24800011	24800011	24800011	Lower Front Modesty Panel

<b>4</b>	24800010	24800014	24800019	Side Support Panel
<b>5</b>	24800016	24800016	24800016	Bag of Fixings
<b>6</b>	24800017	24800017	24800017	"C" Bracket



Qty	Part No.	Description
<b>4</b>	61450003	M4 x 35mm Pozil Pan Head Screw
<b>10</b>	57410001	M5 x 20mm CSK Pozil Screws
<b>10</b>	24100004	Plastic Cap
<b>12</b>	52770002	M5 Shakeproof Washer

page 3

**Electric Water Heating  
Co.**

2 Horsecroft Place

Pinnacles

Harlow

Essex CM19 5BT

Tel: 0845 0553811

E-Mail: sales@ewh.co.uk

**SPD**

Special Product Division

Units 9 & 10

Hexagon Business Centre

Springfield Road

Hayes

Middlesex UB4 0TY

Tel: 020 8606 3567

**Parts Center**

Tel: 0344 292 7057

www.partscenter.co.uk

**Newey & Eyre**

Unit 3-5 Wassage Way

Hampton Lovett Ind. Estate

Droitwich, Worcestershire

WR9 0NX  
Tel: 01905 791500  
Fax: 01905 791501

**UK Spares Ltd**

Unit 1155  
Aztec West  
Almondsbury  
Bristol BS32 4TF  
Tel: 01454 620500

Alternatively contact your local supplying merchant or wholesale branch or use our online stockist finder at [www.interpartspares.co.uk](http://www.interpartspares.co.uk)

**SPECIFICATION ADVICE HOTLINE**

t | 01603 420220  
e | [specifier@heatraesadia.com](mailto:specifier@heatraesadia.com)

**AFTER SALES SERVICE**

t | 0344 871 1535  
e | [heatraesadiaservice@baxi.co.uk](mailto:heatraesadiaservice@baxi.co.uk)  
w | [heatraesadia.com](http://heatraesadia.com)



**OUR NATIONWIDE NETWORK OF CUSTOMER SUPPORT ENGINEERS**

Heatrae Sadia has its very own dedicated nationwide network of highly trained customer support engineers so you can have peace of mind that we're always here to help.

**PRODUCT RANGE**

Full specification details on all our products are available to download from our website. To support our corporate responsibility and sustainability charters and reduce our printed material we encourage you to download product brochures from our website.

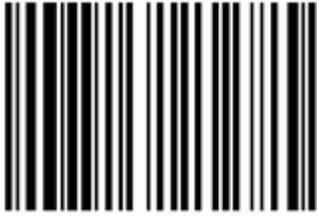
In designing these files we have taken into account the need to access data on screen.

If you would like to receive a printed copy of our full product catalogue please call our literature hotline on 01603 420127.

Heatrae Sadia Heating may introduce modifications to their products from time to time. Consequently, the details given in this brochure are subject to alteration without notice.

Please follow us online:





# HEATRAESADIA

SMARTER | CLEANER | WARMER

PN 24700132 Issue 10

© Heatrae Sadia 2016

page 4