



ErP Compliant 

The Main Heating Range Guide



The Main Heating range of affordable combi,
system, cylinders and water heaters.



Contents

Main Eco Elite Combi High efficiency Main Heating Combi boiler, featuring tried and tested technology.	Page 4
Main Eco Elite System With the highest energy efficiency rating possible, the Main Heating Eco Elite System satisfies all hot water and heating requirements.	Page 6
Technical specifications	Page 8
Main unvented cylinder Fulfils the hot water requirements of a range of domestic properties. Available as a direct and indirect model.	Page 10
Main solar unvented hot water cylinder Fulfils the hot water requirements of a range of domestic properties. Compatible with a range of solar applications. Available as a direct and indirect model.	Page 14
Main water heater Two modern, sleek models ideal for properties with a high demand for hot water.	Page 18
Flue options	Page 20
Flue positioning and controls A clear and simple illustrated guide to the flue systems and accessories required for the Main range.	Page 22
Works loyalty scheme	Page 24
Main product support and training Main offers a comprehensive aftersales service, expert technical advice and a range of training courses.	Page 25

At Main, we only offer products and services that are straightforward, effective, efficient - and don't break the bank.

That means a wide range of reliable, easy-to-install, low maintenance boilers, cylinders and water heaters - as well as a range of heating controls that save your customers even more money. On top of all that, Main training and support services are there to offer help when you want it.

It's everything you need. It's JOB DONE.



Our range

Of course, we don't just offer boilers and accessories, we also have a range of unvented hot water cylinders and water heaters to complement them. You'll find all the details you need on all our products in this easy-to-understand brochure - including technical specifications and flue options.



Our service

To make it easier for you to get the job done, we offer FREE training courses and technical support, so you'll always have the very latest Main product knowledge. And because our dedicated training centres are spread across the UK, you'll always be within easy reach, wherever you are. See page 25 for details.

Although our products are easy to install and simple to maintain, sometimes you just need a bit of help and advice. That's why we also have Baxi Customer Support - our service division with a dedicated service centre and field engineers.

You can reach them on 0344 871 1545 and there's more about them on page 25.



Our heritage

We've been designing and building boilers in the UK for more than 75 years, working to the highest standards and ensuring the highest quality.

It's given us a proud reputation for excellence in our industry - a reputation that's strengthened with each outstandingly reliable boiler, cylinder or water heater we develop.

It all means that when you install Main, you install a product you can depend on to get the job done.

MAIN

ECO ELITE COMBI



Easy installation

- Like all our boilers, the Eco Elite Combi range is easy to install.
- A free one-piece pre-plumbing jig is included as standard, helping you get the pipework in the right place, first time.
- Electrical connections are housed separately to the PCB, making the job quick and easy to finish.
- Clock and filling loop included in the box as standard.



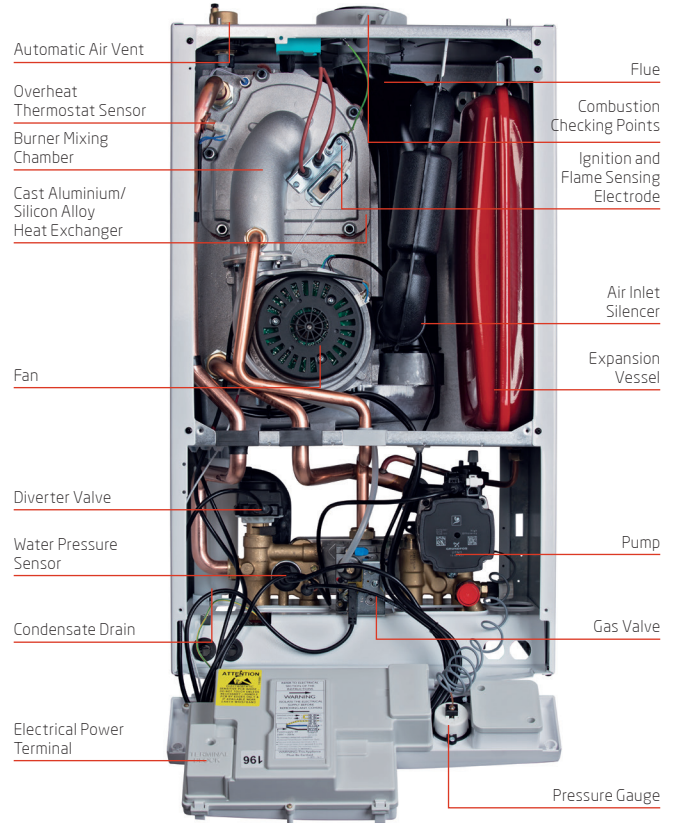
High efficiency

- All Eco Elite Combi boilers are ErP compliant and have low NOx emissions. That's better for the planet and better for your customers.

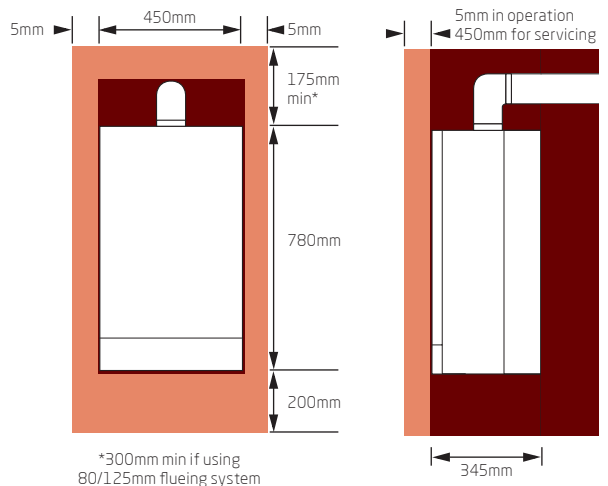


Low maintenance

- Built entirely in the UK, using high quality and well-finished components.
- Layout of components allows for straightforward and speedy servicing and repairs.
- If something does go wrong, though, you can rest assured that our three year parts and labour warranty[†] is there as back up.



Dimensions and minimum clearances



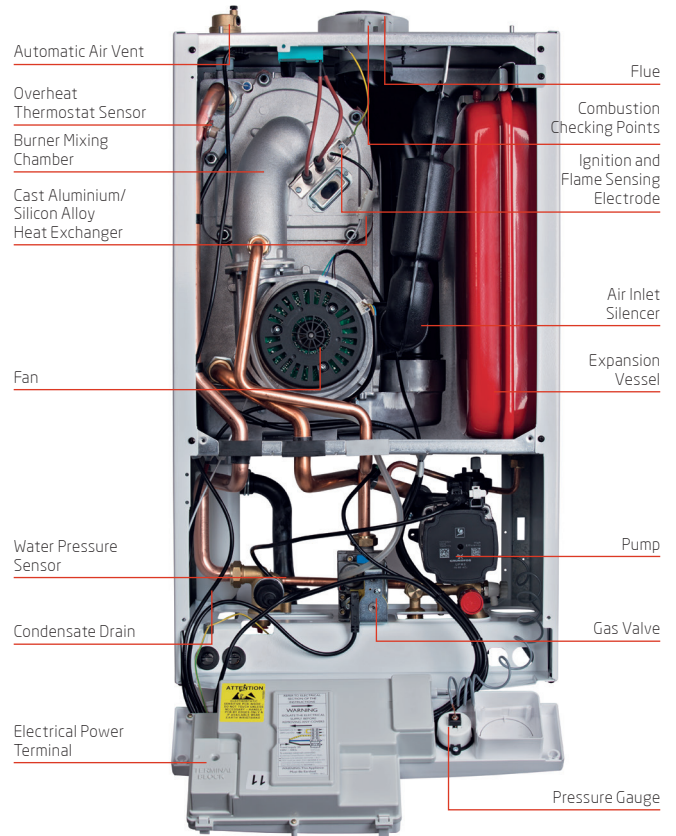
[†]Terms and conditions apply, visit mainheating.co.uk for more information.
^{*}Terms and conditions apply.
For specifications please see page 8 and for flue options see page 20.





Boiler shown with flap down for illustration purposes.

MAIN ECO ELITE SYSTEM



Easy installation

- Like all our boilers, the Eco Elite System range is easy to install.
- A free one-piece pre-plumbing jig is included as standard, helping you get the pipework in the right place, first time.
- Electrical connections are housed separately to the PCB, making the job quick and easy to finish.



High efficiency

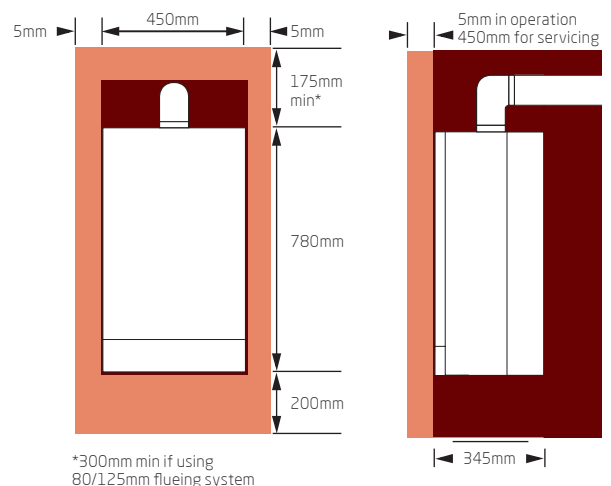
- All Eco Elite System boilers are ErP compliant and have low NOx emissions. That's better for the planet and better for your customers.



Low maintenance

- Built entirely in the UK, using high quality and well-finished components.
- Layout of components allows for straightforward and speedy servicing and repairs.
- If something does go wrong, though, you can rest assured that our three year parts and labour warranty[†] is there as back up.

Dimensions and minimum clearances



[†]Terms and conditions apply, visit mainheating.co.uk for more information.
*Terms and conditions apply.
For specifications please see page 9 and for flue options see page 20.



A
Efficiency Rating



ECO ELITE COMBI SPECIFICATIONS

Main Eco Elite Combi	Units	Main Eco Elite 25 Combi	Main Eco Elite 30 Combi
Sales code (boiler only)		7219409	7219410
Controls			
Concealed user controls		✓	✓
On/off switch with reset		✓	✓
User adjustable DHW temperature		✓	✓
User adjustable CH temperature		✓	✓
LED temp/status/fault diagnosis display		2 digits/3 LEDs	2 digits/3 LEDs
Integral 24 hour electro-mechanical timer		Standard	Standard
Integral 7 day electronic timer		Optional	Optional
Gas			
Gas supply connection	mm	22	22
Natural gas		✓	✓
LPG (propane)		N/A	N/A
Nominal inlet supply pressure NG	mbar	20	20
Maximum gas rate	m ³ /hr	2.76	3.17
Heat Input Central Heating (CH)	kW Max Gross (QnHs)	28.92	32.54
	kW Min Gross (QnHs)	8.68	9.77
Heat Output CH non-condensing	kW Max (Pn)	25.94	28.63
	kW min (Pn)	7.61	8.56
Heat Output CH condensing	kW max (Pnc)	26.95	30.20
	kW min (Pnc)	8.37	9.42
Heat Input Domestic Hot Water	kW Max Gross (QnwHs)	28.92	33.30
Heat Output Domestic Hot Water	kW Max (Pn)	24.88	30.00
Maximum domestic hot water flow rate	l/min @ 35°C rise	10.2	12.3
SAP 2009 Annual Efficiency (PCDB/SEDBUK)	%	89.00	88.70
NOx class		5	5
ErP product information			
NOx	mg/kWh	25	30
Sound Power Level, Indoors	L _{WA} dB	50	50
Space Heating Efficiency Class		A	A
Water Heating Declared Load Profile		XL	XL
Water Heating Efficiency Class		A	A
Electrical			
Electrical supply	Volts/Hz	230V/50Hz	230V/50Hz
Permanent live required		✓	✓
Power consumption	Watts	105	105
External fuse rating	Amps	3	3
Internal fuse rating	Amps	F2L	F2L
Ingress protection rating (without electro-mechanical timer fitted)		IPX 4D	IPX 4D
24 hour pump exercise		✓	✓
Pump overrun		✓	✓
Integral 'boiler only' frost thermostat		✓	✓
Mechanical and hydraulic			
Compartment ventilation requirement		None	None
Pre-plumbing/wall mounting jig		✓	✓
Central heating flow and return connections	mm	22	22
Condensate discharge connection	mm	21.5	21.5
Integral automatic bypass		✓	✓
Min domestic hot water flow rate	l/min	2	2
Min domestic hot water operating pressure	bar	0.15	0.15
Maximum DHW system pressure	bar	8	8
Safety discharge pressure	bar	3	3
Integral expansion vessel capacity	litres	8	10
Max capacity of central heating system	litres	125	125
Filling loop included		✓	✓
CH system inhibitor required		Yes	Yes
Concentric flue system (60/100 & 80/125)			
Standard telescopic horizontal flue kit length	mm	315 - 500	315 - 500
Max equiv length horizontal/vertical (60/100mm)	m	10	10
Max equiv length horizontal/vertical (80/125mm)	m	20	20
Equivalent length per 135° bend	m	0.5	0.5
Equivalent length per 93° bend	m	1	1
Twin pipe flue system			
Diameters	mm	80/80	80/80
Max equiv length horizontal/vertical (parallel pipes)	m	15/15	15/15
Equivalent length per 135° bend	m	0.25	0.25
Equivalent length per 91.5° Bend	m	0.5	0.5
Weights			
Max installation lift weight	kg	45	45
Gross packaged boiler weight	kg	51	51

ECO ELITE SYSTEM SPECIFICATIONS

Main Eco Elite Combi	Units	Main Eco Elite 24 System	Main Eco Elite 28 System
Sales code (boiler only)		7219411	7219412
Controls			
Concealed user controls		✓	✓
On/off switch with reset		✓	✓
User adjustable DHW temperature		✓	✓
User adjustable CH temperature		✓	✓
LED temp/status/fault diagnosis display		2 digits/3 LEDs	2 digits/3 LEDs
Integral 24 hour electro-mechanical timer		N/A	N/A
Integral 7 day electronic timer		N/A	N/A
Gas			
Gas supply connection	mm	22	22
Natural gas		✓	✓
LPG (propane)		N/A	N/A
Nominal inlet supply pressure NG	mbar	20	20
Maximum gas rate	m ³ /hr	2.76	3.10
Heat Input Central Heating (CH)	kW Max Gross (QnHs)	28.92	32.54
	kW Min Gross (QnHs)	8.68	9.77
Heat Output CH non-condensing	kW Max (Pn)	25.94	28.63
	kW min (Pn)	7.61	8.56
Heat Output CH condensing	kW max (Pnc)	26.95	30.20
	kW min (Pnc)	8.37	9.42
Heat Input Domestic Hot Water	kW Max Gross (QnwHs)	N/A	N/A
Heat Output Domestic Hot Water	kW Max (Pn)	N/A	N/A
Maximum domestic hot water flow rate	l/min @ 35°C rise	N/A	N/A
SAP 2009 Annual Efficiency (PCDB/SEDBUK)	%	89.10	88.80
NOx class		5	5
Erp product information			
NOx	mg/kWh	25	30
Sound Power Level, Indoors	L _{WA} dB	48	50
Space Heating Efficiency Class		A	A
Water Heating Declared Load Profile		N/A	N/A
Water Heating Efficiency Class		N/A	N/A
Electrical			
Electrical supply	Volts/Hz	230V/50Hz	230V/50Hz
Permanent live required		✓	✓
Power consumption	Watts	105	105
External fuse rating	Amps	3	3
Internal fuse rating	Amps	F2L	F2L
Ingress protection rating (without electro-mechanical timer fitted)		IPX 4D	IPX 4D
24 hour pump exercise		✓	✓
Pump overrun		✓	✓
Integral 'boiler only' frost thermostat		✓	✓
Mechanical and hydraulic			
Compartment ventilation requirement		None	None
Pre-plumbing/wall mounting jig		✓	✓
Central heating flow and return connections	mm	22	22
Condensate discharge connection	mm	21.5	21.5
Integral automatic bypass		✓	✓
Min domestic hot water flow rate	l/min	N/A	N/A
Min domestic hot water operating pressure	bar	N/A	N/A
Maximum DHW system pressure	bar	N/A	N/A
Safety discharge pressure	bar	3	3
Integral expansion vessel capacity	litres	8	10
Max capacity of central heating system	litres	125	125
Filling loop included		✓	✓
CH system inhibitor required		Yes	Yes
Concentric flue system (60/100 & 80/125)			
Standard telescopic horizontal flue kit length	mm	315 - 500	315 - 500
Max equiv length horizontal/vertical (60/100mm)	m	10	10
Max equiv length horizontal/vertical (80/125mm)	m	20	20
Equivalent length per 135° bend	m	0.5	0.5
Equivalent length per 93° bend	m	1	1
Twin pipe flue system			
Diameters	mm	80/80	80/80
Max equiv length horizontal/vertical (parallel pipes)	m	15/15	15/15
Equivalent length per 135° bend	m	0.25	0.25
Equivalent length per 91.5° Bend	m	0.5	0.5
Weights			
Max installation lift weight	kg	42.2	42.2
Gross packaged boiler weight	kg	48.5	48.5

MAIN UNVENTED CYLINDER



Easy installation

- Front access to controls and connections for easy installation.
- Designed to work with the Main Heat and Main Eco Elite System range of boilers providing you with the complete solution to your project, with no compatibility issues.



Energy efficient

- Coil-in-coil heat exchanger ensures rapid heat recovery while promoting energy efficiency.
- All cylinders are manufactured in the UK where we inject 50mm of polyurethane foam between the cylinder and the casing to increase insulation and save energy.



Low maintenance

- High grade stainless steel inner cylinder prolongs product life and ensures low maintenance.
- The Incoloy 800 alloy sheathed elements are designed to resist corrosion, a common problem with other unvented cylinders.
- Our indirect heating coil is fitted with an electric immersion heater as back up, leaving you and your customers confident they will have hot water whenever they need it.
- We're so confident of the quality of our unvented cylinder, we offer a one year parts and labour warranty, and will guarantee the stainless steel shell for a further 24 years.†

PERFECT FOR YOUR CUSTOMERS:

- Replacing existing cylinders
- Suitable for low mains pressure areas
- Ideal for homes with more than one bathroom
- Indirect and direct models available

Compatible with:



Main Eco
Elite System

*Terms and conditions apply, visit mainheating.co.uk for more information.
†For specifications please see pages 12-13. †See page 25 for more details.

MAIN

B
Efficiency Rating



UNVENTED INDIRECT CYLINDER 150 LITRES **MAIN**

IMPORTANT: This system is subject to the following instructions:
1. The system must be installed in accordance with the relevant regulations.
2. The system must be installed in a well-ventilated area.
3. The system must be installed in a well-ventilated area.
4. The system must be installed in a well-ventilated area.
5. The system must be installed in a well-ventilated area.
6. The system must be installed in a well-ventilated area.
7. The system must be installed in a well-ventilated area.
8. The system must be installed in a well-ventilated area.
9. The system must be installed in a well-ventilated area.
10. The system must be installed in a well-ventilated area.

WARRANTY
This system is covered by a 5-year warranty.
The warranty is void if the system is not installed in accordance with the relevant regulations.
The warranty is void if the system is not installed in a well-ventilated area.
The warranty is void if the system is not installed in a well-ventilated area.
The warranty is void if the system is not installed in a well-ventilated area.
The warranty is void if the system is not installed in a well-ventilated area.
The warranty is void if the system is not installed in a well-ventilated area.
The warranty is void if the system is not installed in a well-ventilated area.
The warranty is void if the system is not installed in a well-ventilated area.
The warranty is void if the system is not installed in a well-ventilated area.
The warranty is void if the system is not installed in a well-ventilated area.

CE



INLET



SPECIFICATIONS

Element - Long-life removable Incoloy 800 sheathed element, rated 3.0kW @ 240V. Direct models are fitted with two 3.0kW immersion heaters as standard.

Outer casing - A combination of resilient thermoplastic mouldings and plastic coated corrosion proofed steel sheet.

Thermal insulation - CFC/HCFC free (ODP ZERO) fire retardant expanded polyurethane. 50mm thickness.

Inner container - High grade stainless steel, pressure tested to 15 bar.

Primary coil - 22mm diameter stainless steel. Coil-in-coil design for improved performance.

Thermostat - Element thermostat adjustable from 10°C to 70°C.

Safety features - Temperature and pressure relief valve, factory set to operate at 10 bar and 90°C. High limit thermostat, factory set at 80°C. Direct models - Manually re-settable cut-out on heating element operates at 80°C.

Indirect models - Must be wired in series with the supplied two-port motorised valve to provide primary over temperature protection.

Anode - None required.

Approvals - KIWA approved for water regulations and building regulation G3. Manufactured in the UK in a BS EN ISO 9001:2008 registered factory. CE marked for compliance with LVD, EMC and pressure equipment directives.

Installation

Main unvented cylinders must be installed by a competent installer in accordance with local regulations:

England and Wales - Building regulation G3.

Scotland - Technical standards P3.

N. Ireland - Building regulation P5.

Fixing - Feet on bottom moulding for floor mounting.

Plumbing connections - Inlet/Outlet, 22mm compression fittings / ¾" BSP parallel thread.

Primary coil - 22mm compression fittings / ¾" BSP parallel thread.

Temperature and pressure relief valve - 15mm compression outlet.

Cold water control - Integrated cold water control set comprising pressure reducing valve and strainer - factory set at 3.5 bar, expansion relief valve - factory set at 6 bar and check valve. 22mm compression fittings.

Mains pressure - Min 1.5 bar, Max 16 bar. A 2-port motorised valve is supplied with indirect models.

Flow rates - Up to 55 litres per minute @ 6 bar pressure.

Operating pressure - 3.5 bar.

Expansion relief valve pressure - 6.0 bar.

Operating temperature - Recommended 60°C. Adjustable 10-70°C.

Water expansion - Remote expansion vessel
12 litre vessel supplied with 120 and 150 litre models.
18 litre vessel supplied with 170 and 210 litre models.
24 litre vessel supplied with 250 and 300 litre models.

Minimum water supply requirements - Recommended minimum supply pressure - 1.5 bar/20 l/min flow rate.

If there are any doubts about water supply pressure or flow rates, please contact our Specification Advice Team to discuss on 0845 026 4620.

Secondary circulation - Via 22 x 22 x 15mm swept tee, which should be fitted to the inlet pipework. Secondary Circulation is not recommended for direct units being used with off-peak electricity tariffs.

Pressure testing - Units are tested to 15 bar.

Tundish - 15mm compression inlet and 22mm compression outlet.

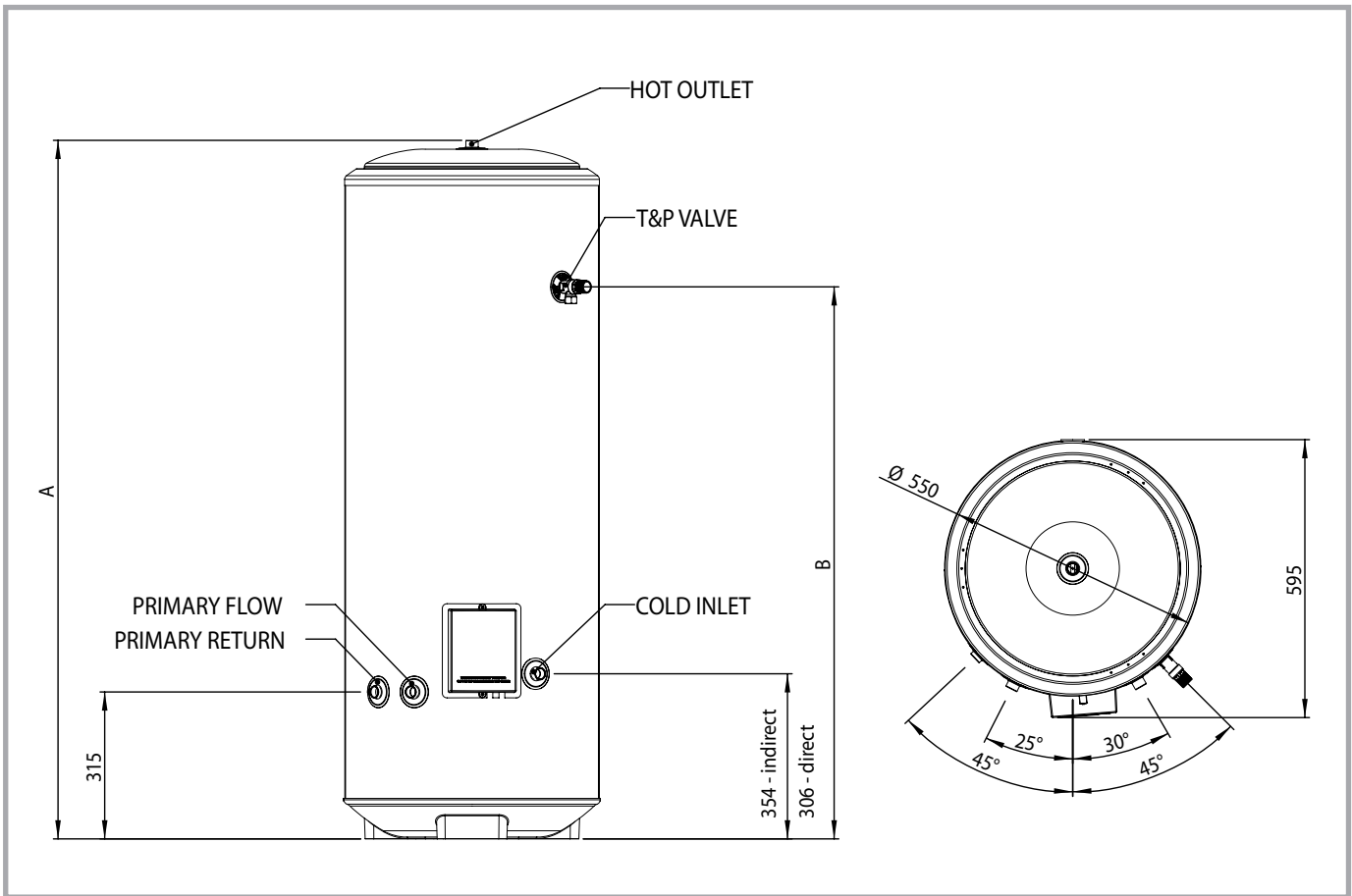
Electrical

Indirect models - Controls should be wired to the boiler, programmer etc., in accordance with the control scheme being used.

Direct models - Connection is direct to terminals in the immersion heater which must be permanently connected to the supply through a double-pole lined isolating switch with a minimum breaking capacity of 13A.

All electrical wiring must conform to the latest IEE Wiring Regulations.

Dimensions and performance



Nominal Capacity (litres)	Type		Dimensions A (mm)	Dimensions B (mm)	kW Rating	Coil Heat Up Time (mins)	Recovery Times	Heating Time Direct (mins)	ErP Rating	Product Code	Standing Heat Loss (kW/h per 24hr)
	Direct	Indirect									
120	✓		931	616				121	C	720635901	1.47
120		✓	931	616	12.5	27	23	29	B	5133561	
150	✓		1114	800				152	C	720636001	1.7
150		✓	1114	800	12.5	38	24	37	C	5133562	
170	✓		1241	927				173	C	720636101	1.92
170		✓	1241	927	16	33	25	35	C	5133563	
210	✓		1499	1184				215	C	720636201	2.3
210		✓	1499	1184	16	41	29	43	C	5133564	
250	✓		1752	1437				260	D	720636301	2.22
250		✓	1752	1379	18	40	30	43	D	5135327	
300	✓		2065	1751				315	D	720636401	2.52
300		✓	2065	1694	19	47	35	49	D	5135328	

Unvented cylinder specification enquiries

Telephone: 0845 026 4620.

MAIN SOLAR THERMAL UNVENTED HOT WATER CYLINDER



Energy efficient

- Unlike some other 'twin coil' cylinders, our cylinders have a purpose designed solar heating coil at the base of the cylinder, ensuring maximum heat input and efficiency from the solar source.



Easy installation

- Comes with all the benefits of the Main unvented cylinder plus a whole lot more.
- Designed specifically for solar applications to make sure it does the job perfectly.
- To make things simple, the Main solar cylinder is compatible with most solar thermal systems now available in the UK.
- The remote expansion vessel can be located in various places, to suit your installation requirements.



Low maintenance

- High grade stainless steel inner cylinder prolongs product life and ensures low maintenance.
- We're so confident of the quality of our unvented cylinder, we offer a one year parts and labour warranty, and will guarantee the stainless steel shell for a further 24 years†.

PERFECT FOR YOUR CUSTOMERS:

- Provides low carbon domestic hot water
- Fast filling showers and baths
- Powerful hot water from your solar thermal water heating system

Compatible with:



Main Eco
Elite System

*Savings vary depending on type of solar system used, location and usage patterns.

† See page 25 for more details. For specifications please see pages 16-17.

MAIN
SOLAR

C
Efficiency Rating



INLET

SPECIFICATIONS

Siting the unit

The Main solar cylinder must be installed vertically. Although location is not critical, the following points should be considered:

- The Main solar cylinder should be sited to ensure minimum dead leg distances, particularly to the point of most frequent use.
- Avoid siting where extreme cold temperatures will be experienced. All exposed pipework should be insulated.
- The discharge pipework from the safety valves must have minimum fall of 1:200 from the unit and terminate in a safe and visible position.
- Access to associated controls and immersion heaters must be available to provide for the servicing and maintenance of the system. Where these controls are installed against a wall a minimum distance of 250mm must be left.
- Ensure that the floor area for the Main solar cylinder is level and capable of permanently supporting the weight when full of water.
- Wherever possible the mains supply pipe should be 22mm. We suggest the minimum supply requirements should be 1.5 bar pressure and 20 litres per minute flow rate.
- The Main solar cylinder has an operating pressure of 3.5 bar which is controlled by the cold water combination valve assembly. The cold water combination valve assembly can be connected to a maximum mains pressure of 16 bar.

Outlet/terminal fittings (taps, etc.)

- The Main solar cylinder can be used with most types of terminal fittings.
- All fittings, pipework and connections must have a rated pressure of at least 6 bar at 80°C.

Operational summary

- Maximum mains pressure 16 bar.
- Operating pressure 3.5 bar.
- Expansion vessel charge pressure 3.5 bar.
- Expansion relief valve setting 6 bar.
- T&P relief valve setting 90°C/10 bar.
- Maximum primary circuit pressure.
- (Auxiliary coil, indirect only) 3 bar.
- Maximum primary circuit pressure 6 bar (Solar coil).

Important note:

THE MAIN SOLAR CYLINDER MUST BE INCORPORATED INTO A FULLY PUMPED SOLAR PRIMARY CIRCUIT. CONTROL OF THE SOLAR PRIMARY IS ACHIEVED BY THE USE OF EXTERNAL CONTROLS NOT SUPPLIED WITH THE UNIT. CONTROL MUST BE VIA A PURPOSE DESIGNED SOLAR HYDRAULIC STATION AND SOLAR DIFFERENTIAL TEMPERATURE CONTROLLER.

Pipe fittings

All pipe fittings are made via 22mm compression fittings directly to the unit. The fittings are threaded ¾" BSP male parallel should threaded pipe connections be required.

Cold feed

A 22mm cold water supply is recommended, however if a 15mm (½") supply exists which provides sufficient flow this may be used (although more flow noise may be experienced).

A stopcock or servicing valve should be incorporated into the cold water supply to enable the Main solar cylinder and its associated controls to be isolated and serviced.

Drain tap

A suitable draining tap should be installed in the cold water supply to the Main solar cylinder unit between the expansion valve and the heater at as low a level as possible. It is recommended that the outlet point of the drain pipework be at least 1 metre below the level of the heater.

Expansion vessel

The expansion vessel is pre-charged at 3.5 bar and must be connected between the expansion valve and the Main solar cylinder.

Secondary circulation

The secondary return pipe should be in 15mm pipe and incorporate a check valve to prevent backflow. A suitable WRAS approved bronze circulation pump will be required.

Outlet

Hot water distribution pipework should be 22mm pipe with short runs of 15mm pipe to terminal fittings such as sinks and basins.

Installation

Connection to solar primary circuit

The lower (solar) coil of the Main solar cylinder must be connected to a fully pumped solar primary circuit. The connections are suitable for 22mm copper pipe direct to the compression fittings provided. The connections are also threaded ¾" BSP male parallel should BSP be required.

Plumbing connections

Direct units require the following pipework connections.

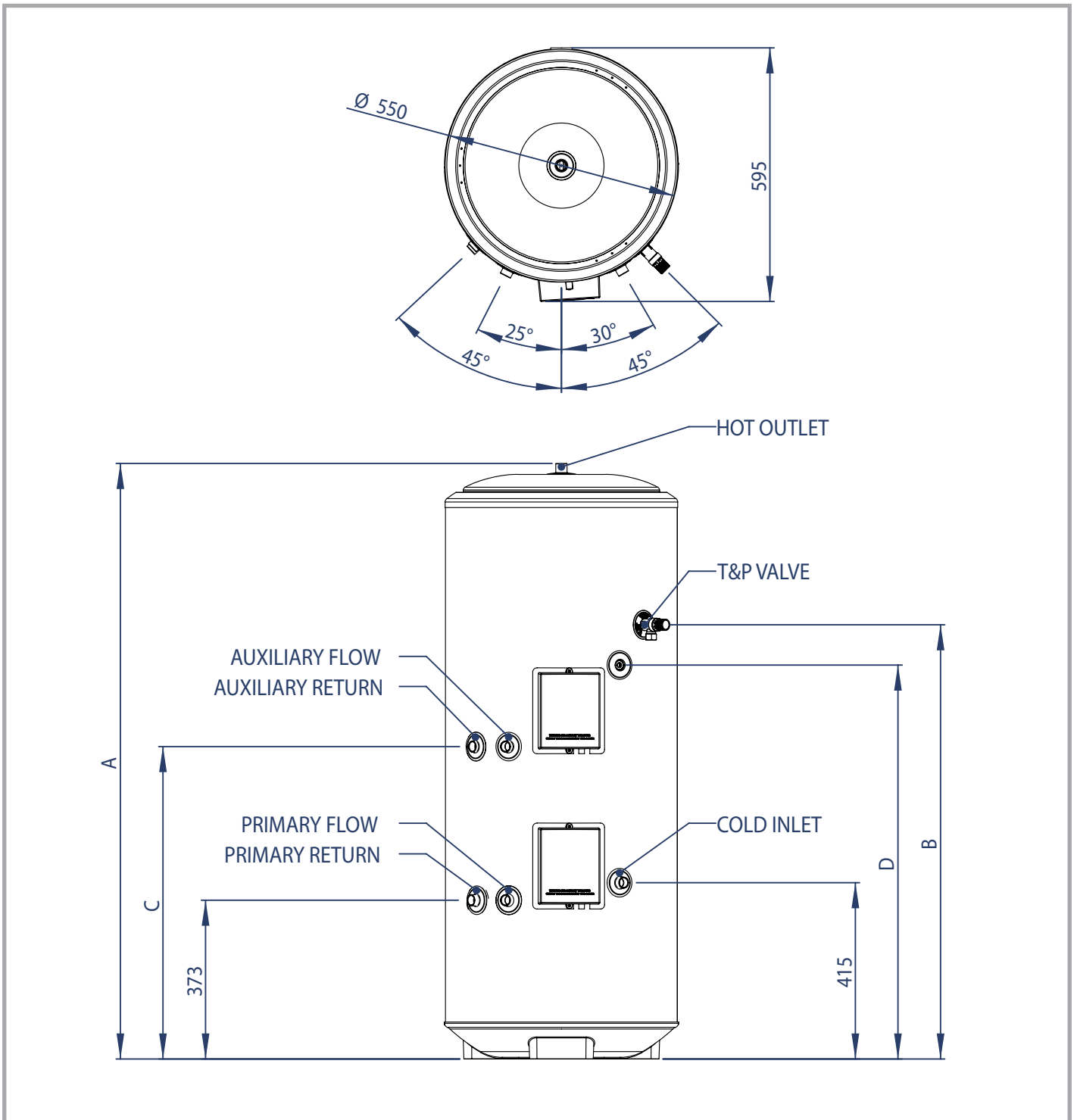
- Cold water supply to and from inlet controls.
- Outlet to hot water draw off points.
- Discharge pipework from valve outlets to tundish.
- Connection to the auxiliary primary circuit (Auxiliary/ Indirect unit only).

Primary connections are 22mm compression. However, ¾" BSP parallel threaded fittings can be fitted to the primary coil connections if required.

Electrical supply

Main solar units are fitted with 1x3kW immersion heater on indirect units and 2x3kW immersions on direct units as standard. The Main solar cylinder MUST be earthed. The circuit must be protected by a suitable fuse and double pole isolating switch with a contact separation of at least 3mm in both poles.

Dimensions and performance



Nominal capacity (litres)	Indirect	Dimensions (mm)				Solar coil surface area (m ²)	Auxiliary volume (litres)	Surface area (m ²)	Auxiliary coil			ErP Rating	Product code
		A	B	C	D				Rating (kW)	Heat up (mins)	Recovery (mins)		
190	✓	1401	1085	784	925	1.1	120	0.61	11.9	42	22	C	720634701
210	✓	1499	1186	1012	1026	1.1	120	0.68	15.2	33	35	C	720634801
250	✓	1752	1438	1143	1279	1.1	145	0.79	15.2	40	30	D	720634901
300	✓	2065	1752	1440	1592	1.1	175	0.79	17.4	42	32	D	720635001

MAIN WATER HEATER

PERFECT FOR YOUR CUSTOMERS:

- Provides hot water for businesses and small households with high demand
- It only heats the water needed, for greater efficiency
- Creates space - no need for a storage cylinder



Quality you can trust

- Main has an unrivalled reputation for offering reliable, safe, efficient and easy-to-use water heaters.



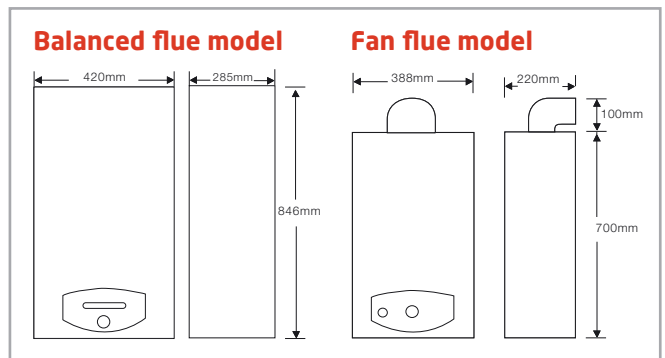
Easy installation

- Installation is straightforward, thanks to the simple three pipe connections with isolation valves, pre-wired standard plug (FF) and flexible flueing options.
- Ideal in homes with high hot water demand, Main FF (Fan Flue) and Main BF (Balanced Flue) Water Heaters provide instant hot water without the need for a storage cylinder.
- If you need to locate the heater away from an external wall, the FF model is perfect. It has a four metre horizontal and vertical flue option making siting easy.
- The BF option comes with a Piezo Spark Igniter, meaning no batteries or wiring are needed. Both models have clear temperature controls.



Low maintenance

- The key to our success is the simplicity of our products. They do exactly what you need them to do and they do it reliably. That means you waste less time and money dealing with call backs and maintenance issues.



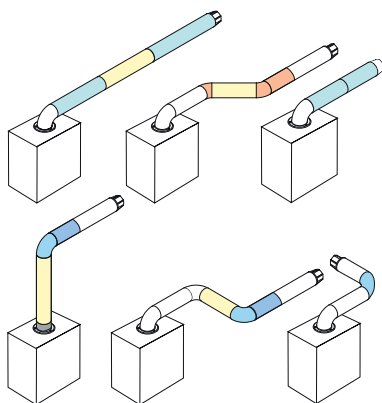
Telescopic flue available in four length options to suit wall thickness from 100mm to 610mm:

	Sales Code
Min. length 100mm (4 in.)	31/10321
Max. length 150mm (6 in.)	
Min. length 150mm (6 in.)	31/10322
Max. length 230mm (9 in.)	
Min. length 230mm (9 in.)	31/10323
Max. length 380mm (15 in.)	
Min. length 380mm (15 in.)	31/10324
Max. length 610mm (24 in.)	

The appliance may be mounted on a suitable existing terminal as above, provided the requirements of the building regulations are maintained.

SPECIFICATIONS

Model	Units	Balanced Flue Model	Fan Flue Model
Model name		Multipoint BF	Multipoint FF
Water heater code		7221083	7221081
Min service clearance above	mm	30mm	120mm (Includes flue elbow)
Min service clearance sides	mm	5mm	10mm
Min service clearance in front	mm	600mm	600mm
Min service clearance below	mm	75mm	50mm
Max DHW flow rate (Delta T @ 30°C max)	l/min	10.8 l/min	11.7 l/min
Max DHW flow rate (Delta T @ 35°C max)	l/min	9.3 l/min	10 l/min
Max DHW flow rate (Delta T @ 50°C max)	l/min	6.5 l/min	7 l/min
Min operating DHW pressure required	bar	0.2 bar	0.3 bar
Max DHW system pressure	bar	12 bar	12 bar
Minimum flow rate required	l/min	2.5 l/min	2.5 l/min
IP rating		N/A	IPX4D
ErP Product Information			
NOx	mg/kWh	161	184
Sound power level, Indoors	LWA	69	54
Water heating declared load profile		XL	XL
Water heating efficiency class		B	B
Gas			
Natural gas		Yes	Yes
Heat input (net)	kW	25.5	27
Heat output to water	kW	23	23.8
Electrical			
Electrical connection	V	None	230 fused UK plug
Mechanical and hydraulic			
Gas connection pipe size	mm	15	15
Water connection pipe size	mm	15	15
Flue systems			
Maximum equivalent length horizontal	mm	610	4000
Maximum equivalent length vertical	mm	N/A	4000
Weight			
Installer lift weight	kg	20	20

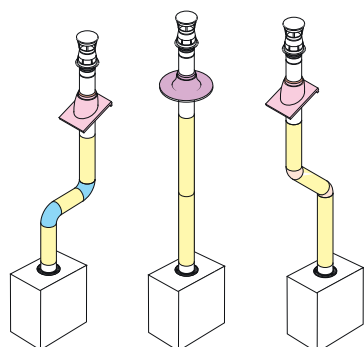


Concentric horizontal flues - water heaters

Concentric horizontal flue arrangement	Key and OD dimension	Multifit sales code
Standard horizontal flue kit	400mm	430183
Horizontal flue kit (long)	680mm	430184
Flue extension	1000mm	B4286
90 bend kit		31/19034
135 bend kit		31/19035
Telescopic flue elbow adaptor		430174
Vertical adaptor		238014

Concentric vertical flues - water heaters

Concentric vertical flue arrangement	Key and OD dimension	Multifit sales code
Concentric vertical flue kit		238015
Flue extension	1000m	B4286
90 bend kit		31/19034
135 bend kit		31/19035
Flat roof flashing kit		31/19040
Pitched roof flashing kit		31/19041



Please refer to page 20 for flue positioning guide.

FLUE SOLUTIONS

Multifit flue kits now come with positive screw fixings for all connections and are available in a choice of lengths to reduce the need for onsite cutting. By popular demand we offer a choice of colours for the terminals to match existing rainwater systems.

The options shown are only compatible with Main Heating Eco Elite Combi and System.

Maximum recommended flue lengths

Main Combi / System / Store	A (60/100 Concentric)	G (80/125 Concentric)	N (80/80 Twin Pipe)
Horizontal	10	20	15
Vertical	10	20	15
Main Heat	B (70/110 Concentric)	P (80/80 Twin Pipe)	
Horizontal	4	75	
Vertical	4	75	

Horizontal concentric flues Ø 60/100mm

Multifit Flue Group A

Item	Description (multifit) flue system	Colour	Specification	Key and OD dimensions	Sales code
1	Horizontal telescopic flue inc. low profile elbow and fixing screws	White pipe/ white terminal	315mm - 500mm	60/100mm	720599401
2	Horizontal telescopic flue inc. low profile elbow and fixing screws	White pipe/ black terminal	315mm - 500mm	60/100mm	720598701
3	Horizontal telescopic flue inc. Low profile elbow and fixing screws	White pipe/ brown terminal	315mm - 500mm	60/100mm	720642701
4	Standard horizontal flue inc. low profile elbow and fixing screws*	White pipe/ black terminal	685mm	100mm	7222019
5	Horizontal telescopic in case rear flue inc. fixing screws	White pipe/ black terminal		100mm	7210434
6	Flue terminal deflector	White		60mm	720644201
7	Flue terminal deflector	Black		60mm	5111068
8	Flue terminal deflector	Brown		60mm	720644301
9	1m flue extension inc. fixing screws	White	1000mm	100mm	720648801
10	0.5m flue extension inc. fixing screws	White	500mm	100mm	720643001
11	0.25m flue extension inc. fixing screws	White	250mm	100mm	720643101
12	93° flue bend inc. fixing screws	White	93°	100mm	720648401
13	135° flue bend inc. fixing screws	White	135°	100mm	720648501
14	135° flue bend inc. fixing screws (pair)	White	135°	100mm	720647901
15	Offset adaptor elbow	White	EcoBlue Advance Combi and Ecoblue 32 System only	100mm	720635501
16	93° low profile boiler elbow	White	93°	100mm	720550801
17	Stainless steel terminal guard - Ø 60/100	S/S	Stainless steel	100mm	720627901

Plume displacement kits Ø 60/100mm

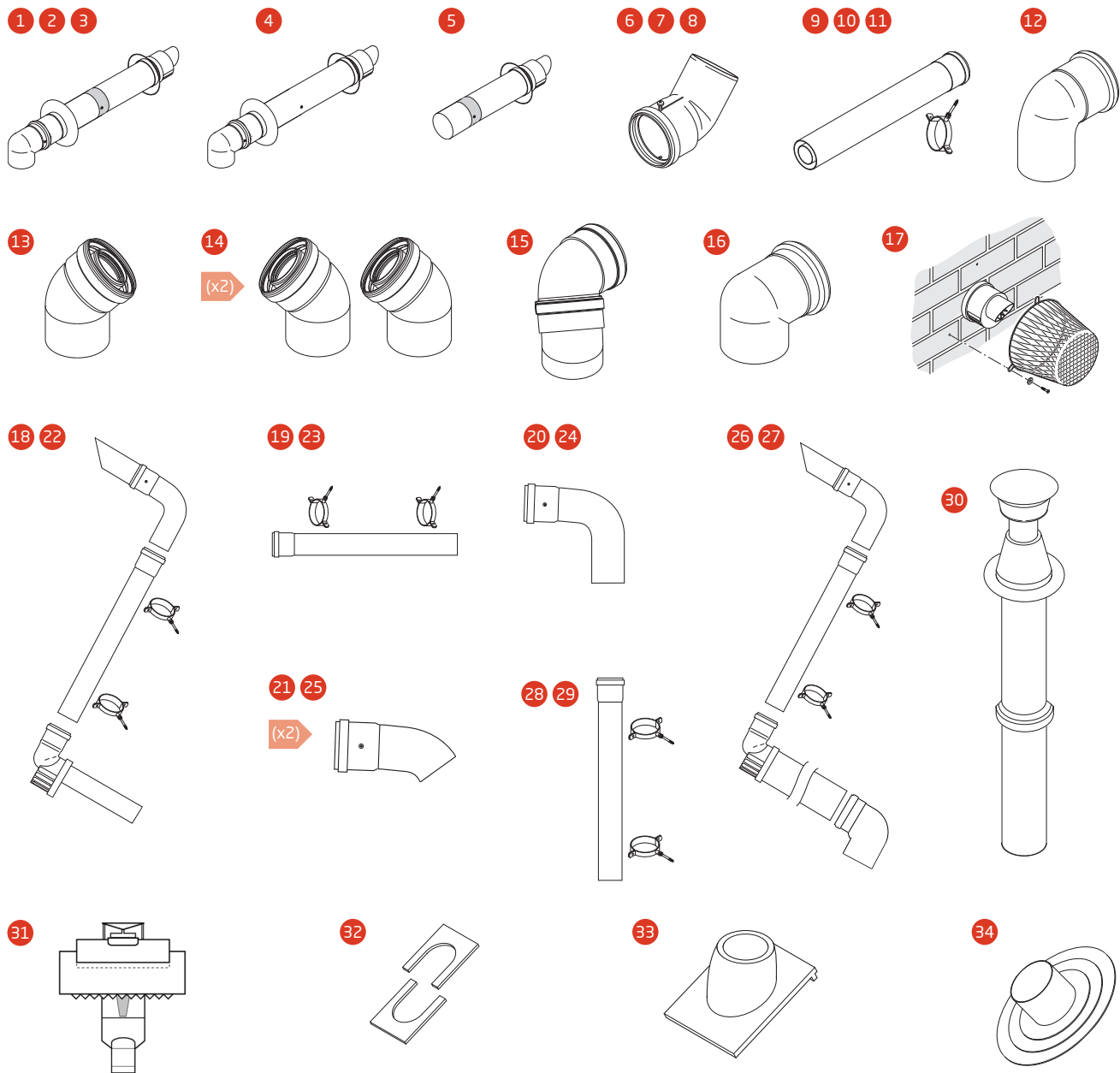
Multifit Flue Group A

Item	Description (multifit) flue system	Colour	Specification	Key and OD dimensions	Sales code
18	Plume displacement terminal kit inc. 1m extension and brackets	White		60mm	720627001
19	Plume displacement kit extension and brackets	White	1000mm	60mm	720643401
20	Plume displacement kit bend	White	93°	60mm	5121369
21	Plume displacement kit bend - pair	White	135°	60mm	5121370
22	Plume displacement terminal kit inc. 1m extension and brackets	Black		60mm	720622901
23	Plume displacement kit extension and brackets	Black	1000mm	60mm	720643301
24	Plume displacement kit bend	Black	93°	60mm	720648701
25	Plume displacement kit bend - pair	Black	135°	60mm	720648601
26	Plume displacement terminal kit inc. 1m extension and brackets	White		100mm	7225717
27	Plume displacement terminal kit inc. 1m extension and brackets	Black		100mm	7225716
28	Under balcony eaves flue kit	White	135°	60mm	7211039
29	Under balcony eaves flue kit	Black	135°	60mm	7211041

Vertical concentric flues Ø 60/100mm

Multifit Flue Group A

Item	Description (multifit) flue system	Colour	Specification	Key and OD dimensions	Sales code
30	Vertical ridge flue terminal	Brown		100mm	720647101
31	Vertical flue terminal	Black		100mm	5118576
32	Roof cover plate			125mm	246143
9	1m flue extension inc. fixing screws	White	1000mm	100mm	720648801
10	0.5m flue extension inc. fixing screws	White	500mm	100mm	720643001
11	0.25m flue extension inc. fixing screws	White	250mm	100mm	720643101
12	93° flue bend inc. fixing screws	White	93°	100mm	720648401
13	135° flue bend inc. fixing screws	White	135°	100mm	720648501
14	135° flue bend (pair) inc. fixing screws	White	135°	100mm	720647901
33	Pitched roof flashing		25°/50°	125mm	5122151
34	Flat roof flashing			125mm	246144



Flue solutions

Horizontal concentric flues Ø 80/125mm

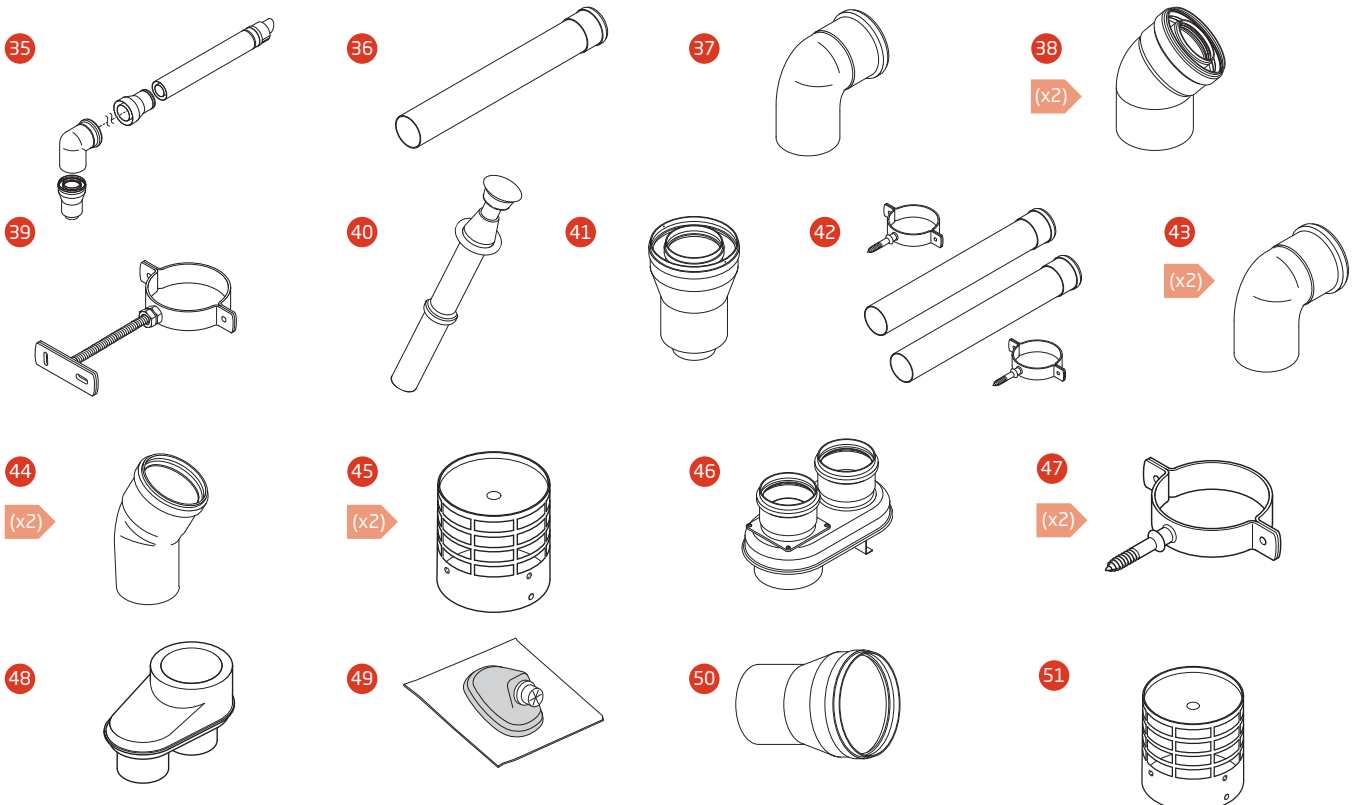
Multifit Flue Group G

Item	Description (multifit) flue system	Colour	Specification	Key and OD dimensions	Sales code
35	Horizontal flue inc. boiler and terminal adaptors	Black		125mm	5118580
36	1m flue extension	White	1000mm	125mm	5118584
37	Flue bend	White	91.5°	125mm	5118588
38	Flue bend (pair)	White	135°	125mm	5118597
39	Pipe support bracket	White	125mm flue pipes	125mm	5118610

Vertical concentric flues Ø 80/125mm

Multifit Flue Group G

Item	Description (multifit) flue system	Colour	Specification	Key and OD dimensions	Sales code
40	Vertical flue terminal	Black		125mm	5111078
36	1m flue extension	White	1000mm	125mm	5118584
37	Flue bend	White	91.5°	125mm	5118588
38	Flue bend (pair)	White	135°	125mm	5118597
32	Roof cover plate			125mm	246143
41	Flue vertical adaptor	White		100/125mm	5111070
33	Pitched roof flashing		25°/55°	125mm	5122151
35	Flat roof flashing			125mm	246144
39	Pipe support brackets	White	125mm flue pipes	125mm	5118610



The options shown are only compatible with Main Heating Eco Elite Combi and System.

Twin pipe flues 80/80mm

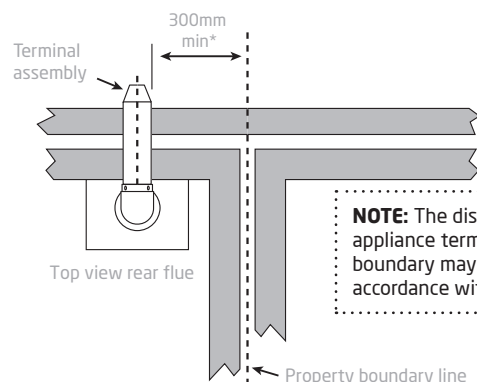
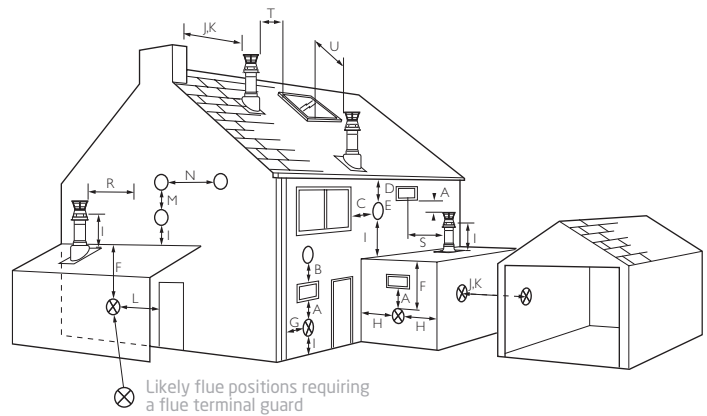
Multifit Flue Group N

Item	Description (multifit) flue system	Colour	Specification	Key and OD dimensions	Sales code
40	Vertical flue terminal	Black		125mm	5111078
42	Twin pipe extension (pair inc. Brackets)	White	1000mm	80mm	5111087
43	Twin pipe flue bend (pair)	White	90°	80mm	5111072
44	Twin pipe flue bend (pair)	White	135°	80mm	5111086
30	Roof cover plate			125mm	246143
45	Twin pipe flue horizontal terminal kit (air and exhaust)	Stainless steel	575mm	80mm	5120172
46	Twin pipe flue adaptor (boiler)	White		80/80mm	720089801
47	Twin pipe support (pair)	White		80mm	5111081
48	Twin to concentric adaptor 80/80 - 80/125	White		80/125mm	5111084
33	Pitched roof flashing		25°/50°	125mm	5122151
34	Flat roof flashing			125mm	246144
49	Pitch roof flue terminal	Black	25°/50°	60mm	720576301
50	Pitched roof terminal adaptor kit	White		60-80mm	5121792
51	Single flue terminal (air only)			80mm	5121791

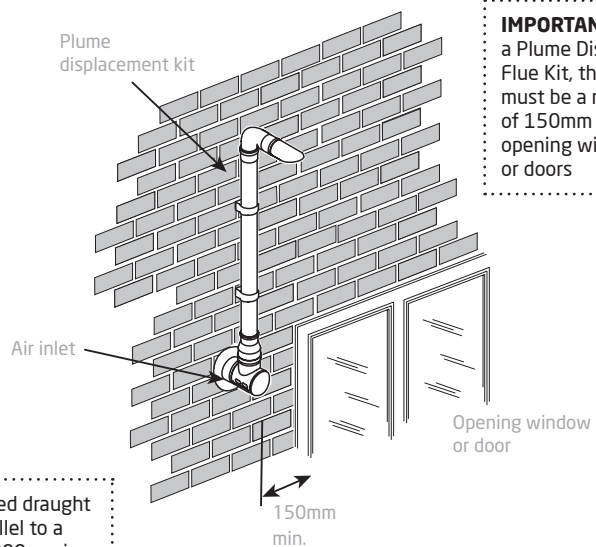
Terminal position with minimum distance

	(mm)
A ¹ Directly below an opening, air brick, opening windows etc	300
B ² Above an opening, air brick, opening window etc	300
C ¹ Horizontally to an opening, air brick, opening window etc	300
D ² Below gutters, soil pipes or drain pipes	25
E ² Below eaves	25
F ² Below balconies or car port roof	25
G ² From a vertical drain pipe or soil pipe	25
H ² From an internal or external corner	25
I Above ground, roof or balcony level	300
J From a surface or boundary line facing a terminal	600
K From a terminal facing a terminal (Horizontal flue)	1200
K From a terminal facing a terminal (Vertical flue)	600
L From an opening in a carport (e.g. door, window) into the dwelling	1200
M Vertically from a terminal on the same wall	1500
N Horizontally from a terminal on the same wall	300
R From adjacent wall to flue (vertical only)	300
S From an adjacent opening window (vertical only)	300
T Adjacent to windows or openings on pitched and flat roofs	600
U Below windows or openings on pitched roofs	2000

- In addition, the terminal should be no nearer than 150mm to an opening in the building fabric formed for the purpose of accommodating a built-in element such as a window frame.
- Only ONE 25mm clearance is allowed per installation. If one of the dimensions D, E, F, G or H is 25mm then the remainder MUST be as B.S.5440-1.







NOTE: The distance from a fanned draught appliance terminal installed parallel to a boundary may not be less than 300mm in accordance with the diagram.



IMPORTANT: If fitting a Plume Displacement Flue Kit, the air inlet must be a minimum of 150mm from any opening windows or doors

*This can be reduced to 25mm by using item 6/7/8 flue deflector.

CONTROLS

	<p>Wireless electronic digital room thermostat</p> <ul style="list-style-type: none"> • Portable room thermostat for ease of use and greater comfort • 7 day programme time and temperature control • Easy to read backlit LCD display • Easy to use Digital and Dial control • Perfect for fully personalised comfort and energy saving 	<p>720030701</p>
	<p>Integral electronic timer</p> <ul style="list-style-type: none"> • 7 day programme time and temperature control • Easy to read backlit LCD display • Multiple on/off switching operations • Advanced switch programme 	<p>247207</p>
	<p>Integral electro mechanical time clock</p> <ul style="list-style-type: none"> • Electro-mechanical 24 hour timer • Selection of on/off control • Tappets set around an analogue clock for the utmost simplicity 	<p>247206</p>
	<p>Wireless (RF) electro mechanical room thermostat</p> <ul style="list-style-type: none"> • Wireless programmable room thermostat • Minimises problems of compliance with building regulations Part L (Energy Conservation) and Part P (Electrical Safety) • As simple to fit as it is to use 	<p>5117393</p>

The accessories shown are only compatible with Main Combi appliances.

The perfect accessories:

- **Maximise your customers' energy saving**
- **Easy to commission**
- **Increase your revenue stream**

BAXI WORKS

Sign up to **Baxi Works**, Baxi's online loyalty scheme for installers. Benefits include:

- ✓ Same or next day engineer call out from Baxi Customer Support*
- ✓ Free Gas Safe notification and easy warranty registration
- ✓ Scan your barcodes using the Baxi Toolbelt App
- ✓ Free annual service reminders sent to your customers on your behalf
- ✓ Free listing on baxi.co.uk to receive homeowner leads
- ✓ Earn points for every boiler you register

Visit **baxiworks.co.uk** to find out more

*Full Works terms and conditions apply.

MAIN REASSURING BACK-UP

BAXI

Customer Support

0344 871 1545
baxicustomersupport.co.uk

With call service support available 7 days a week, 363 days a year, **Baxi Customer Support** offers quick and effective servicing and maintenance support through over 250 highly trained heating experts across the country.

The Main trade technical helpline offers a range of free services to Main installers:

- In-warranty support.
- Help with installation problems.
- Boiler selection advice.
- Fault-finding assistance.
- Flue queries.

Baxi Genuine Parts

- Approved parts for Main Heating products.
- Guaranteed quality, safety and reliability.
- Nationwide network of approved stockists.
- Lifetime support for Main Heating products.

Warranty

Main: Giving you extra

Boilers

Main boilers come with either a 5 year or 3 year parts and labour warranty*.

Cylinders

On site service support including parts and labour for 12 months from date of installation. After an initial 12 months, a parts only guarantee will apply for a further 24 years on the stainless steel shell.

Subject to registration and the replacement being carried out by one of our **Baxi Customer Support** engineers, for which reasonable labour charges will apply.

*Terms and conditions apply, visit baxi.co.uk/warranty for more information.

EXPERT TRAINING

As well as superb support and technical advice, Main gives you access to the very latest training on all our products. The courses are run by qualified instructors and cover everything from installation and commissioning to servicing and diagnostics - as well as current legislation, Building Regulations, energy efficiency, electronics, combi boilers, system design and condensing theory.

In short, you'll learn everything you need to install every product in the Main range successfully and profitably.

To book your place on a Main training course call:

0344 335 4207



Benchmark places responsibilities on both manufacturers and installers. The purpose is to ensure that customers are provided with the correct equipment for their needs, that it is installed, commissioned and serviced in accordance with the manufacturer's instructions by competent persons and that it meets the requirements of the appropriate Building Regulations. The Benchmark Checklist can be used to demonstrate compliance with Building Regulations and should be provided to the customer for future reference. Installers are required to carry out installation, commissioning and servicing work in accordance with the Benchmark Code of Practice which is available from the Heating and Hot water Industry Council who manage and promote the Scheme. Visit www.centralheating.co.uk for more information.

All descriptions and illustrations provided in this document have been carefully prepared but we reserve the right to make changes and improvements in our products which may affect the accuracy of the information contained in this leaflet. All goods are sold subject to our standard Conditions of Sale which are available on request.

Contacts

All enquiries

Tel: 0344 871 1570

Please note – calls to the service centre may be recorded or monitored.

Main

Brooks House, Coventry Road, Warwick CV34 4LL.

Website: mainheating.co.uk

twitter.com/mainheating

facebook.com/mainheating

PART OF BAXI



This Brochure is printed on paper sourced from well managed forests and other controlled sources. This Brochure is printed using vegetable based inks. Please recycle this Brochure when you have finished with it.