

NXR3i

Fuel oil/gas boilers
Assembly Instruction



Working towards
a cleaner future

1 Package list

i Refer to the applicable product list for any optional features used.

Package list: Before starting to assemble the boiler, refer to the table below to check if you have received all the packages required.

1. Boiler body + Accessories

■ Boilers supplied with an assembled body

Number of sections		4	5	6	7	8	9
Assembled boiler body (contents depend upon model)		1	1	1	1	1	1
Accessories	package	FD 15	FD 15	FD 19	FD 19	FD 19	FD 20

■ For boiler supplied with the boiler body in bulk

Number of sections		4	5	6	7	8	9
Front section	Package 8219-0002	1	1	1	1	1	1
Intermediate section	Package 8219-0001	2	3	4	5	6	7
Rear section	Package 8553-7072	1	1	1	1	1	1
Set of assembly rods		1	1	1	1	1	1
Accessories for body in bulk	1 Package	FD 9	FD 10	FD 11	FD 12	FD 13	FD 14
Base frame	1 Package	FD 30	FD 31	FD 32	FD 33	FD 34	FD 35

2. Burner door

Number of sections		4	5	6	7	8	9
Burner door	1 Package	BP 13	BP 13	BP 13	BP 13	BP 13	BP 13

3. Baffle plates

Number of sections		4	5	6	7	8	9
Baffle plates	1 Package	BP 16	BP 17	BP 17	BP 19	BP 20	BP 21

4. Casing

Number of sections		4	5	6	7	8	9
Casing	1 Package	MD7	MD8	MD9	MD10	MD11	MD12
Front panel	1 Package	MD253	MD253	MD253	MD253	MD253	MD253

5. Technical documents

Number of sections		4	5	6	7	8	9
1 Package (Content depends upon country)		1	1	1	1	1	1


6. Control panel

All models can be equipped with one of the following control panels: KSF or KSF CE control panel.




2 Mounting

■ Tools required


- 1 Phillips screwdriver
- 1 hammer
- 1 knife
- 8 - 13 - 17 - 18 - 19 spanners
- 1 putty gun
- 1 JDTE or JDTE Plus or simplified JD assembly tool
- 1 water pump pliers
- 45 mm spanner or parallel groove clamp
- 1 brush
- 1 hacksaw

 **Warning: Assemble the boiler in the order given by the numbers of each figure, in compliance with all the instructions.**

■ Symbols used

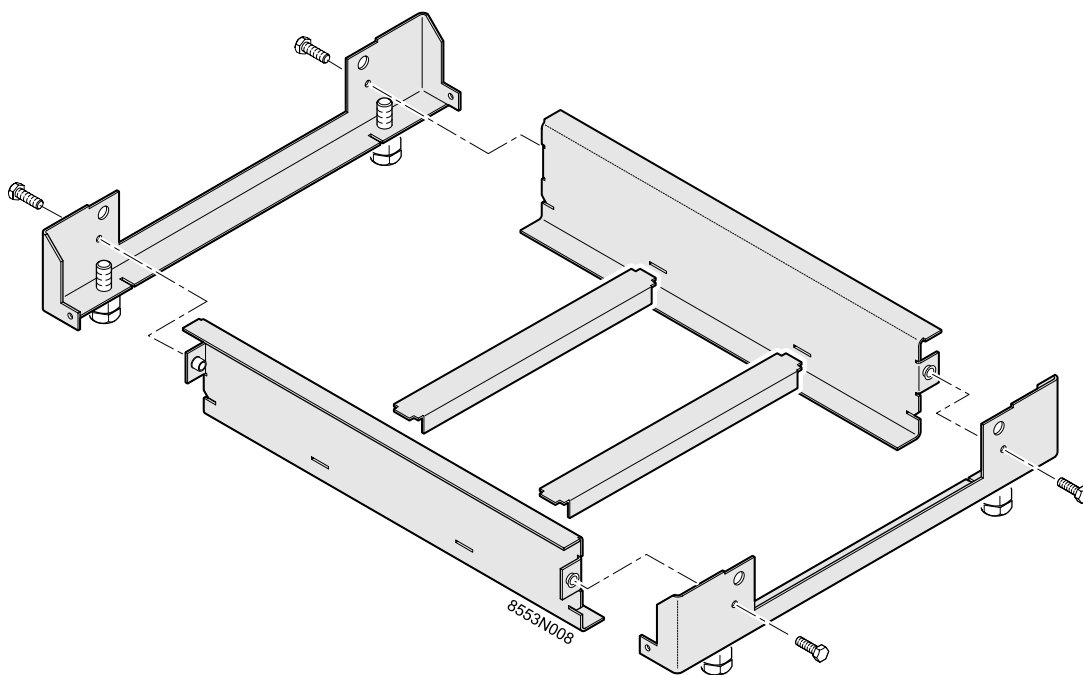
	Caution danger	Risk of injury and damage to equipment. Attention must be paid to the warnings on safety of persons and equipment.
	Specific information	Information must be kept in mind to maintain comfort.
	Reference	Refer to another manual or other pages in this instruction manual.

■ Boilers supplied with an assembled body

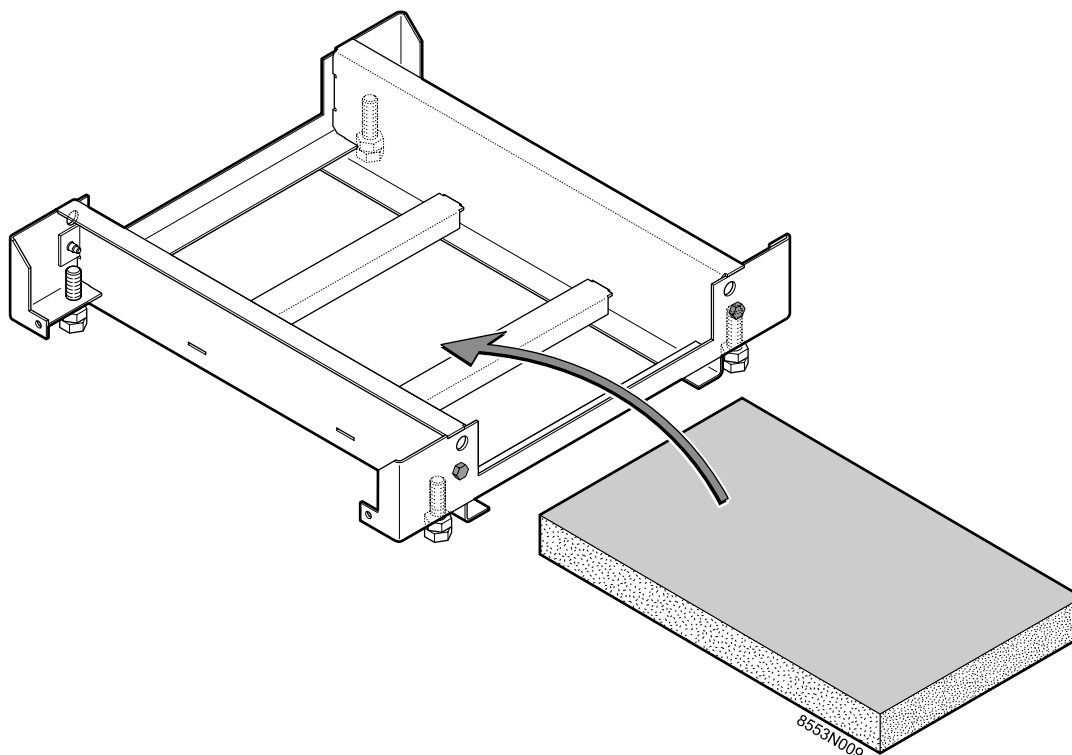
 start assembly with stage 28: Hydraulic test.

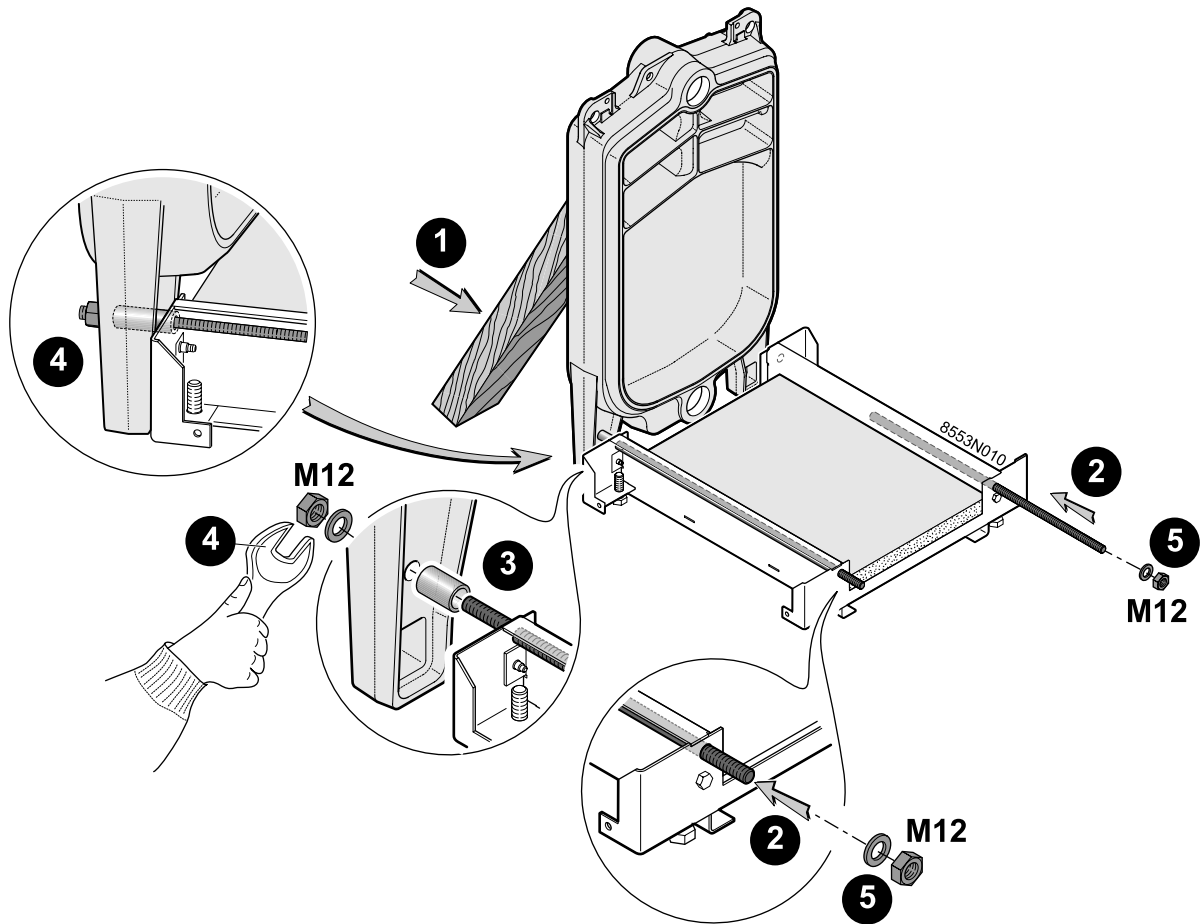
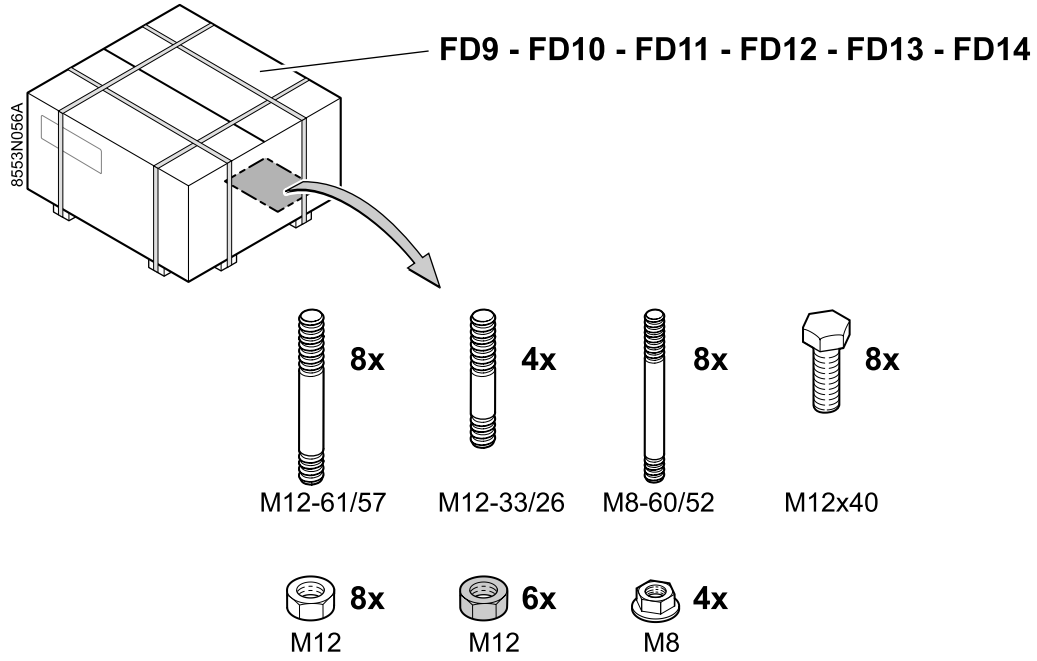
1

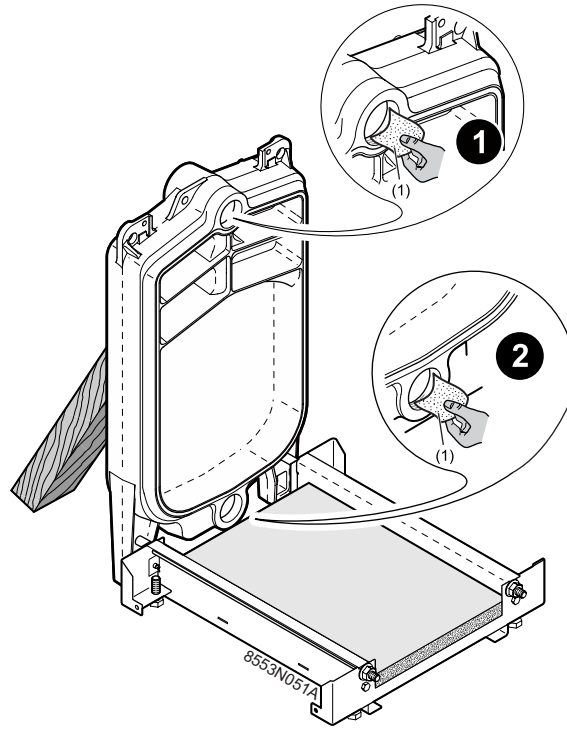
FD30 - FD31 - FD32 - FD33 - FD34 - FD35



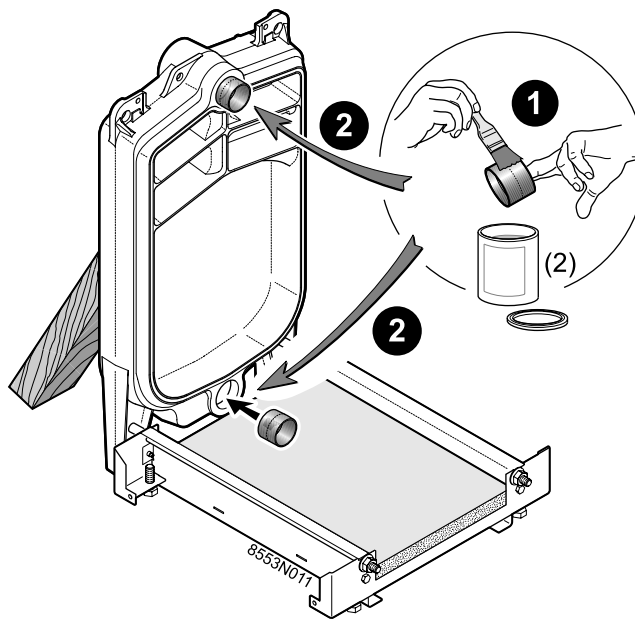
2





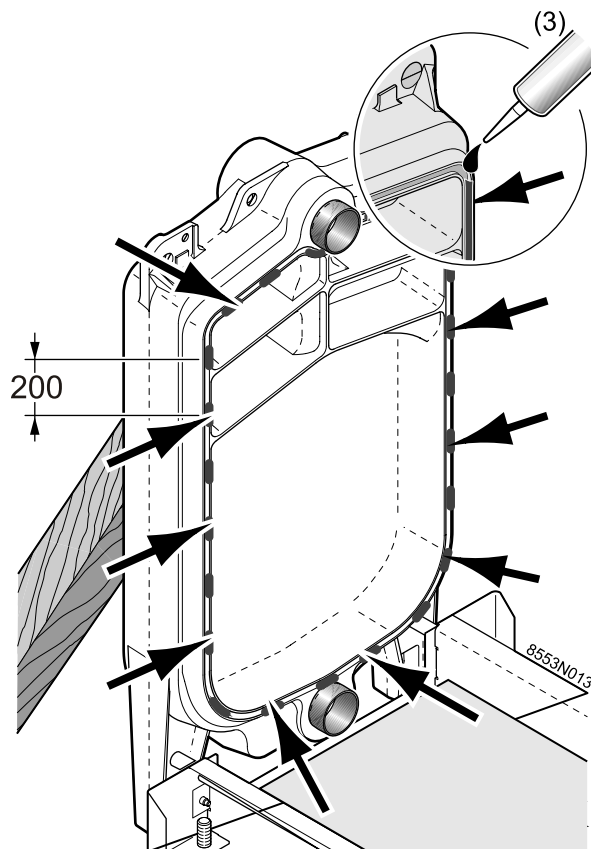
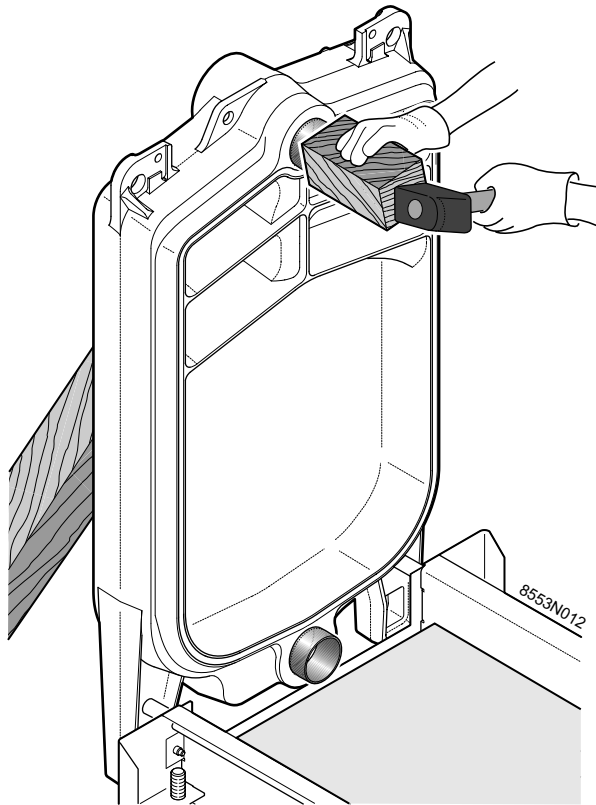


(1) Sandpaper

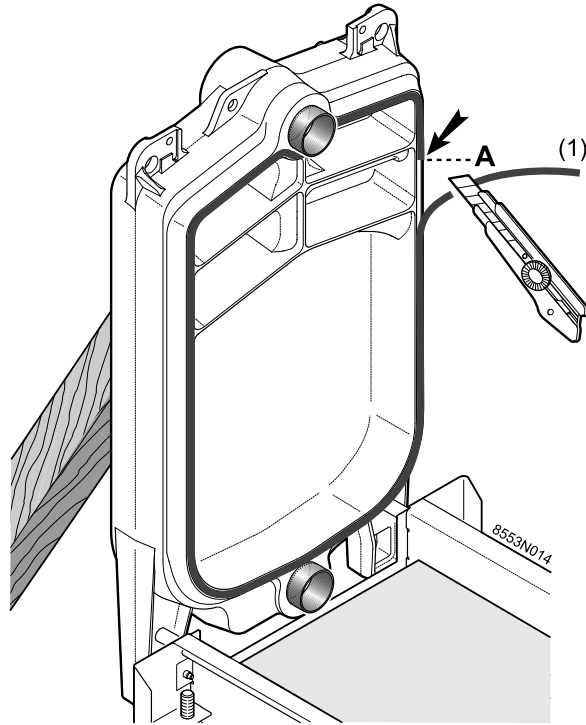


(2) Putty for nipple (Supplied)

⚠ Clean the nipples and coat them with the product.

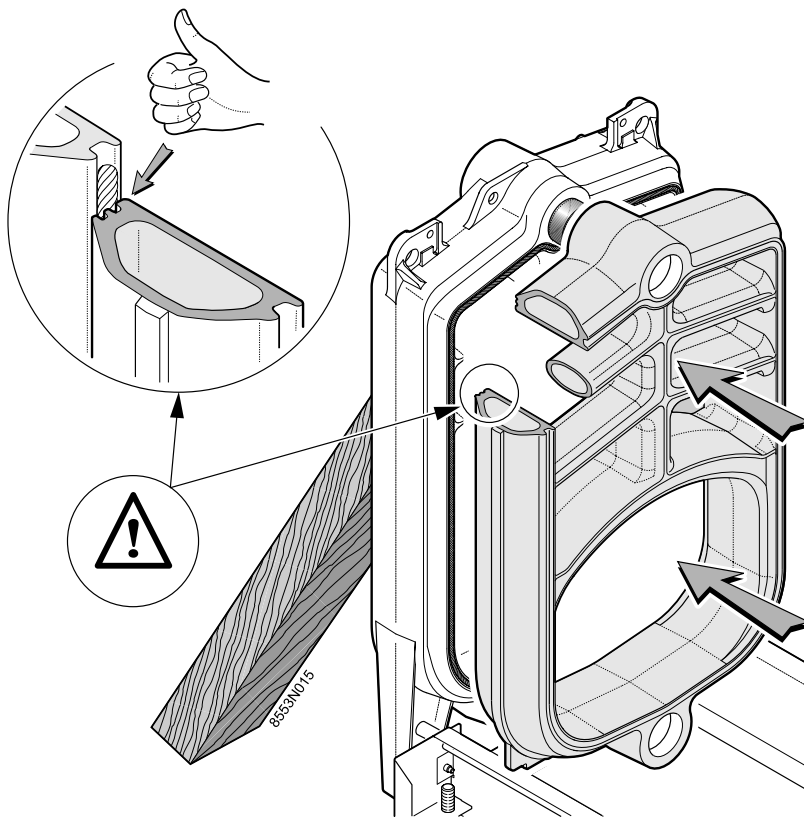


(3) Silicon (supplied)

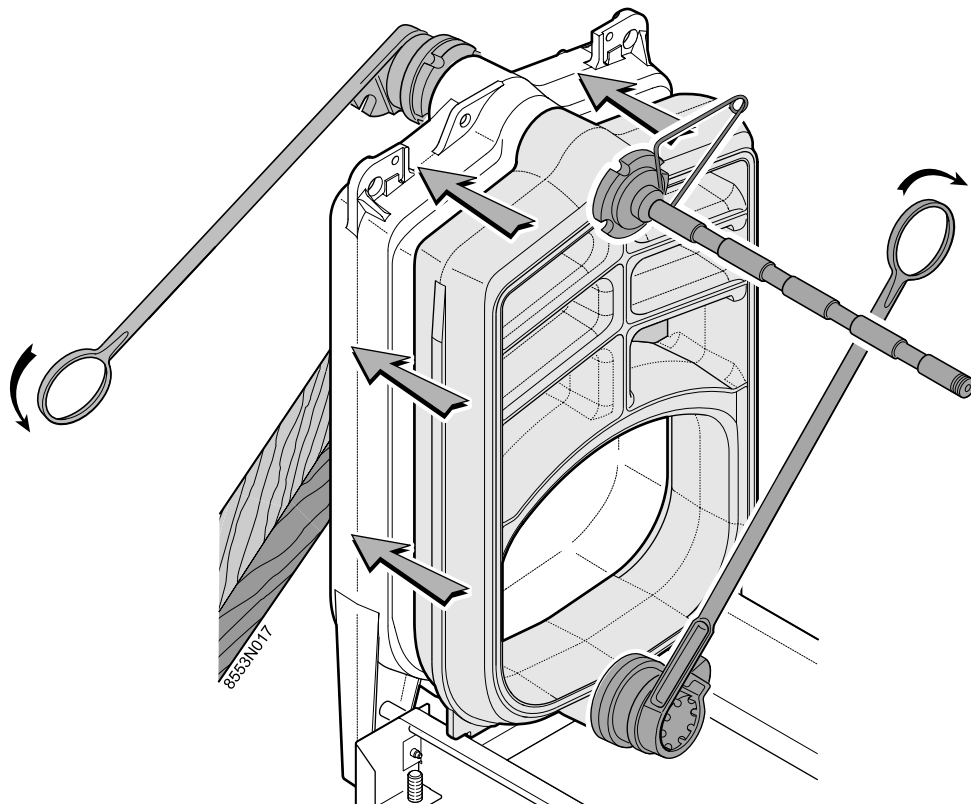
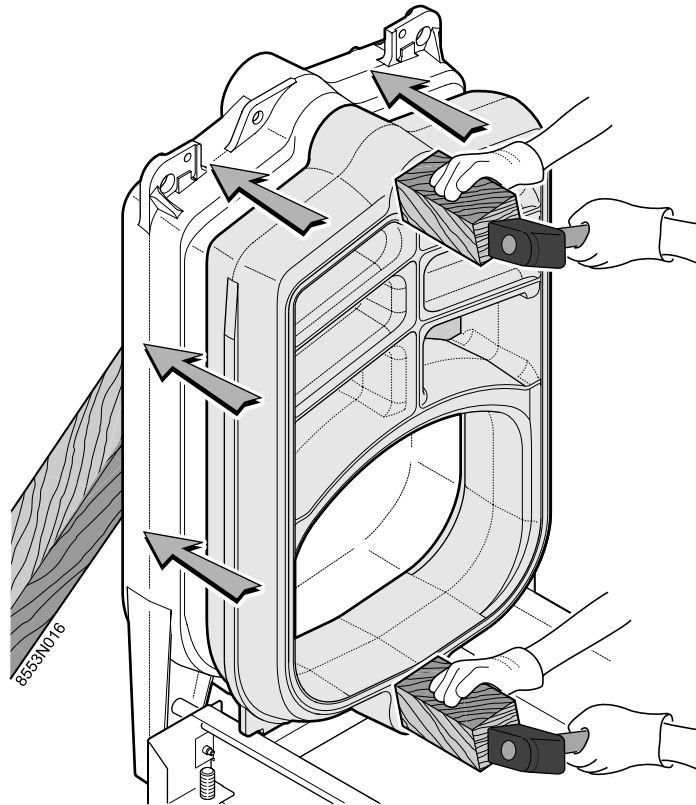


(1) Thermocord (Supplied)

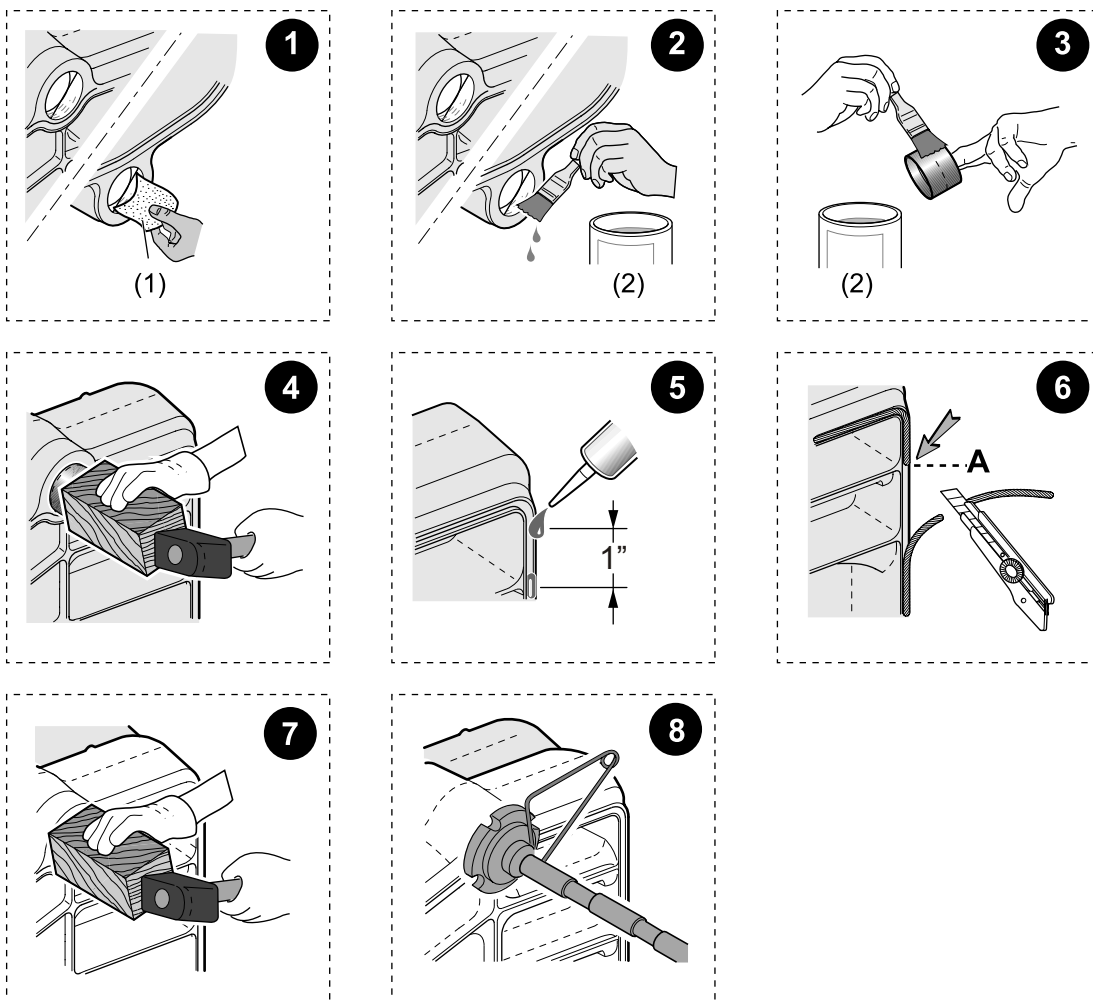
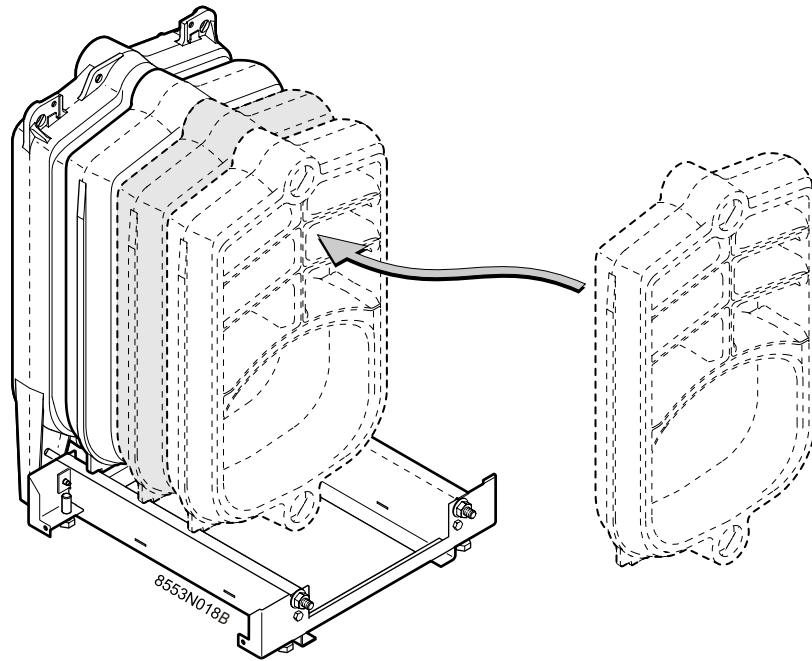
10




 Check the positioning of the thermocord.

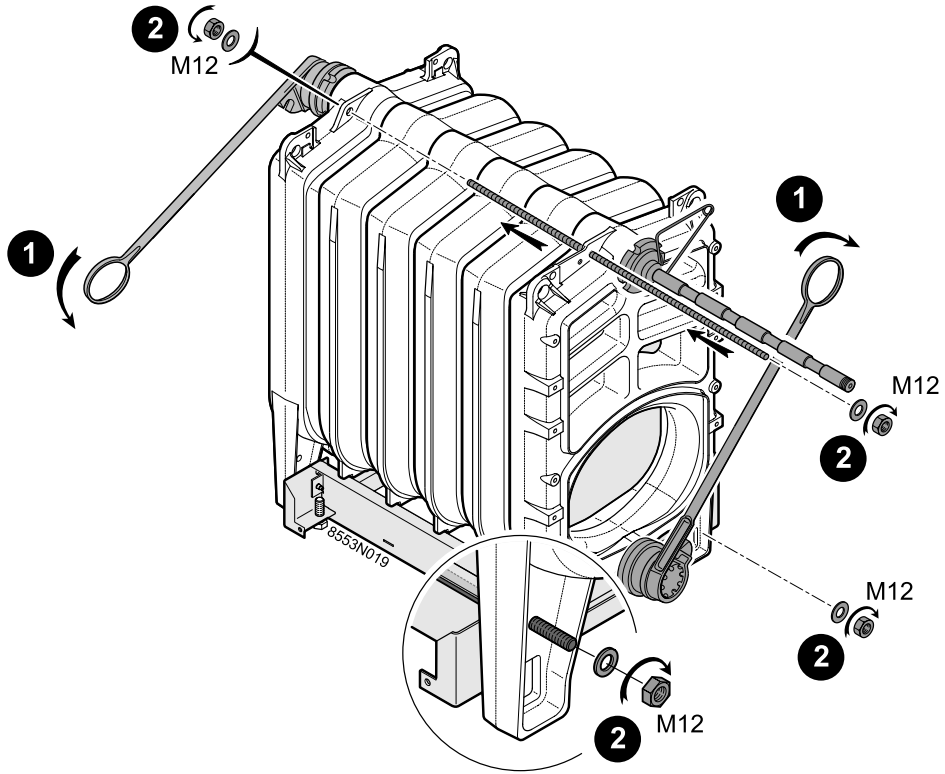


⚠ Caution: Do not overtighten. Correct tightening is achieved when the cast iron sections come into contact.

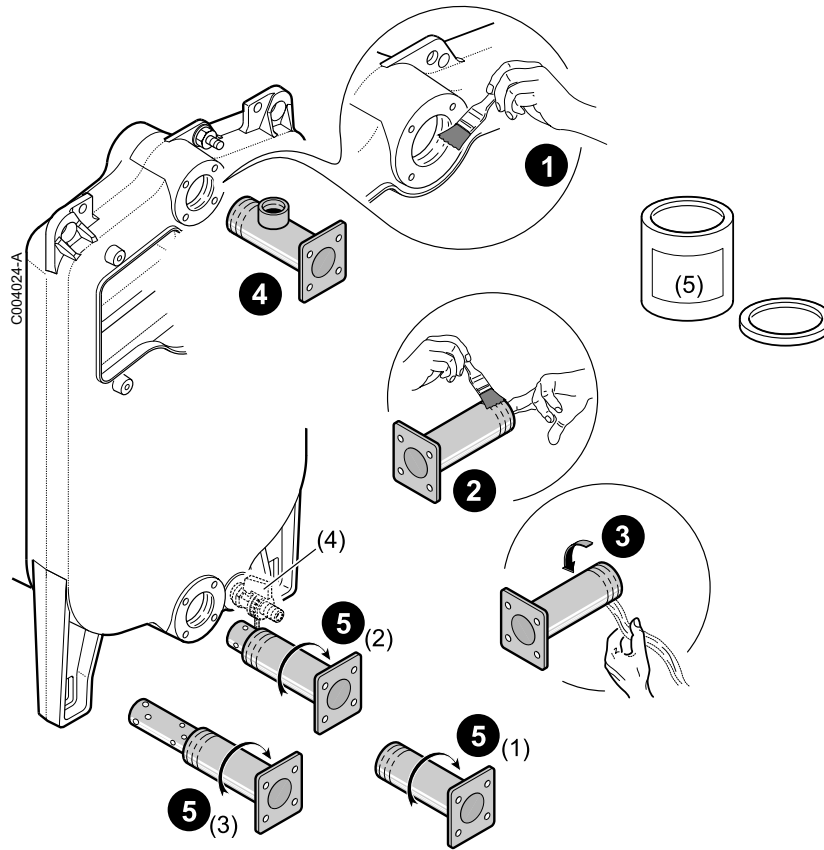


- (1) Sandpaper
- (2) Putty for nipple (Supplied)

 Clean the nipples and coat them with the greasing product provided with the sections.

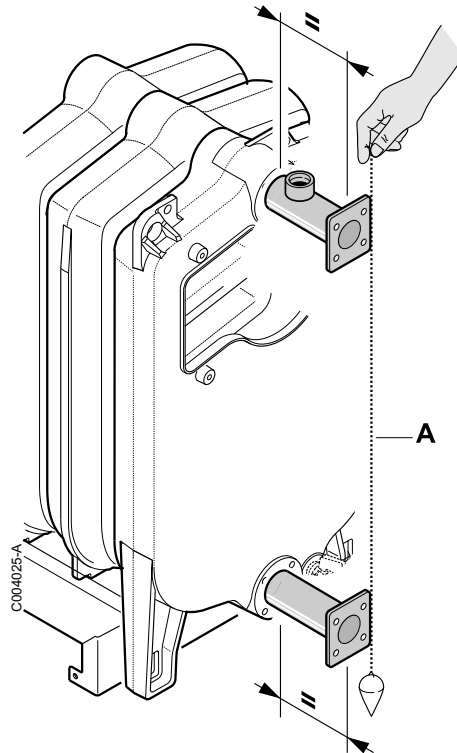


⚠ Caution: Do not overtighten. Correct tightening is achieved when the cast iron sections come into contact.



- (1) 4 - 5 sections
- (2) 6 - 7 - 8 sections
- (3) 9 sections

- (4) Drain tap (not supplied)
- (5) Tightness sealant (not supplied)

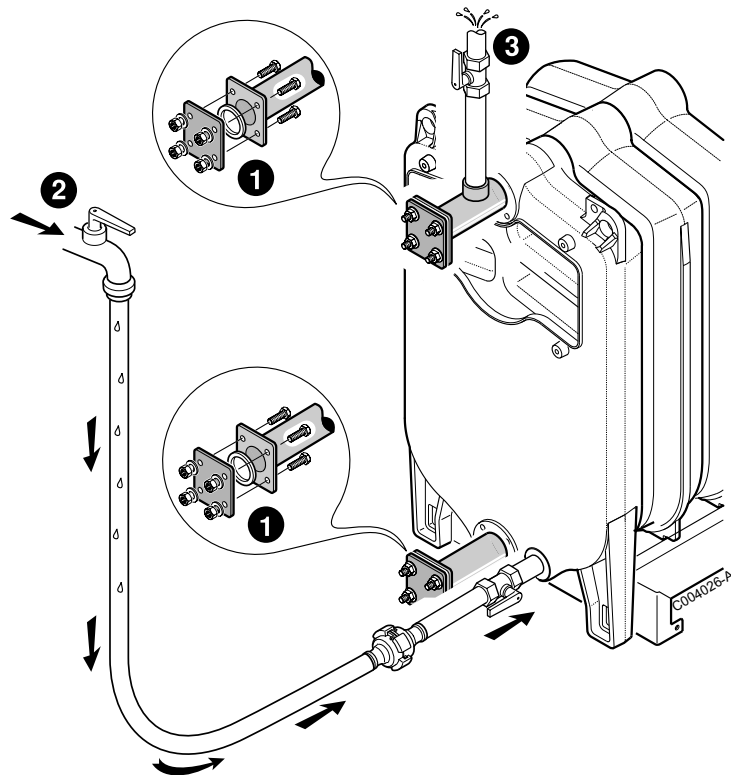



A. Lead wire

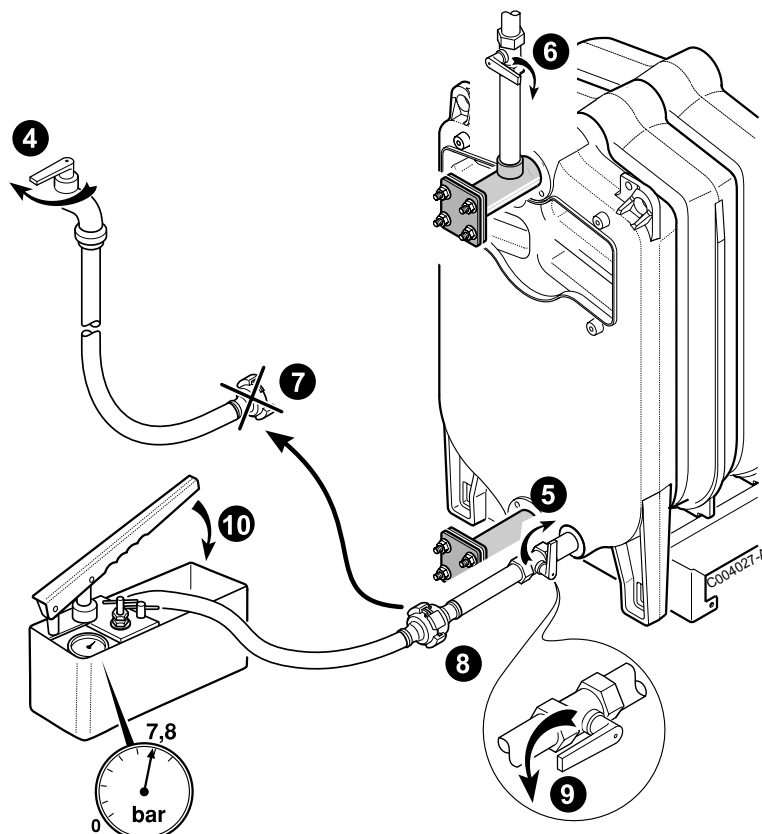
17 Hydraulic test


After assembling the boiler body, the installer must carry out a water tightness test at a pressure equal to 1.3 times the operating pressure (that is 7.8 bar mini) for 10 minutes at least.

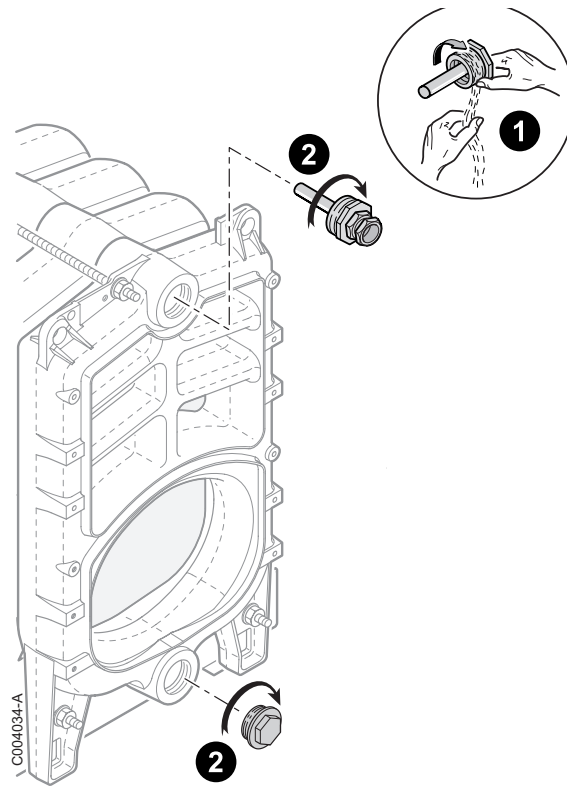
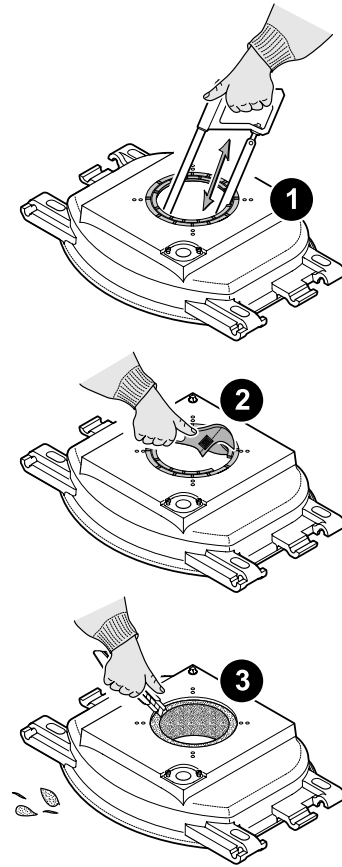
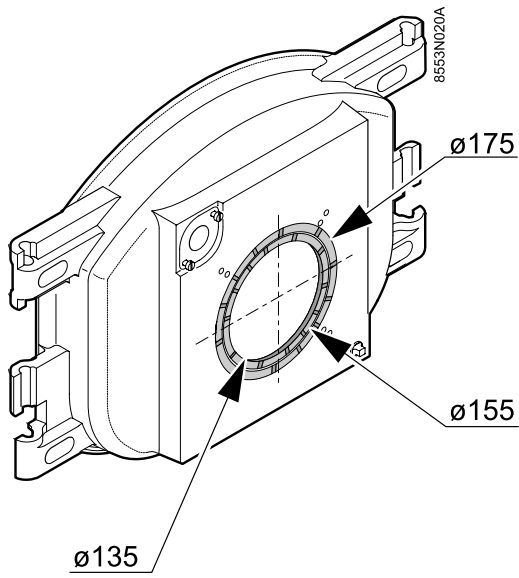
The test must be done at room temperature.

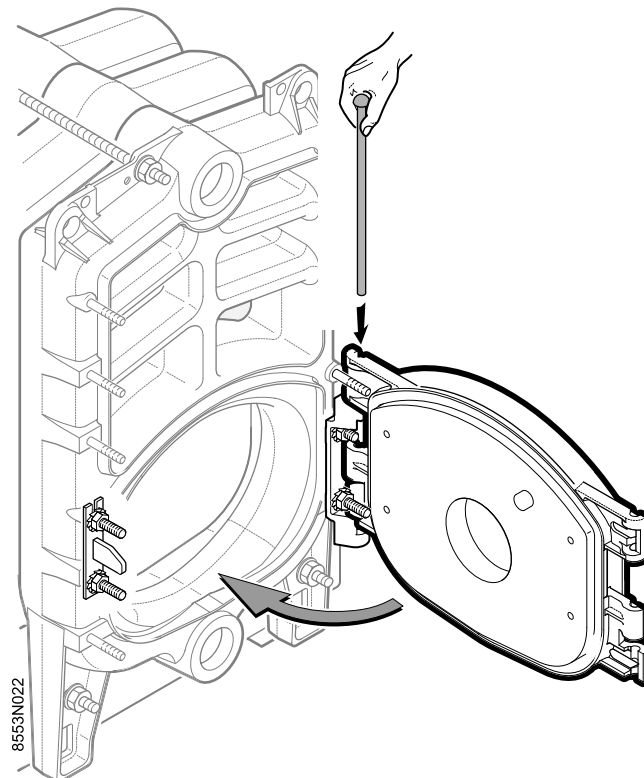
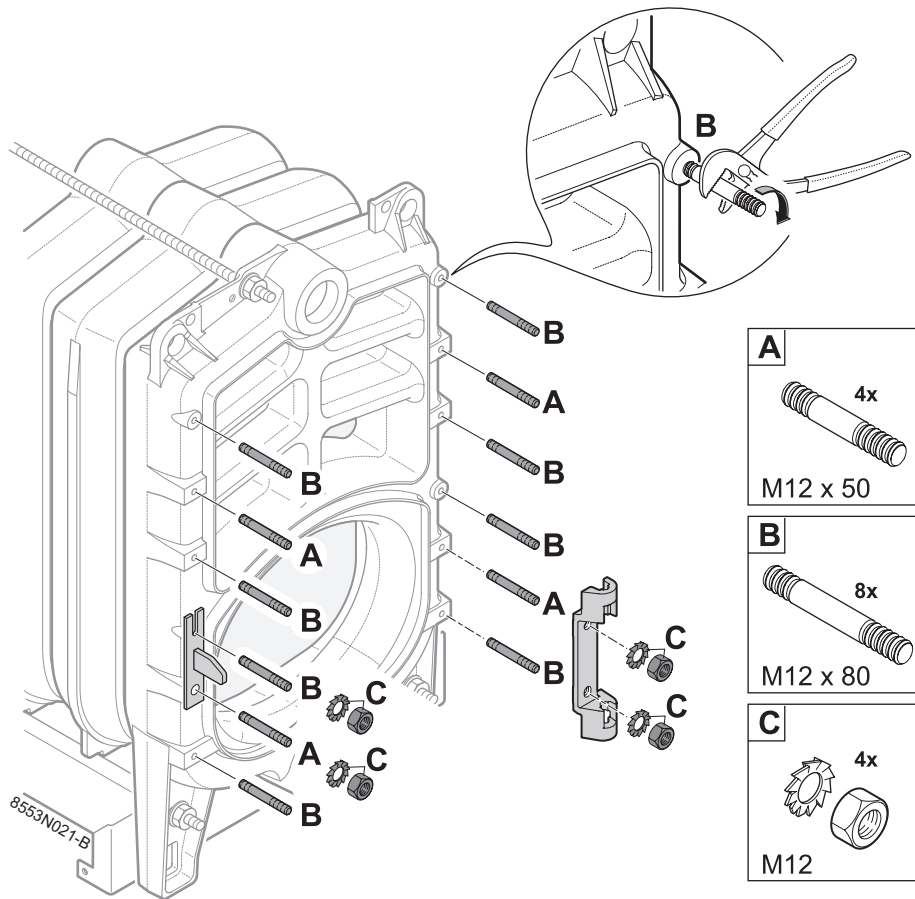


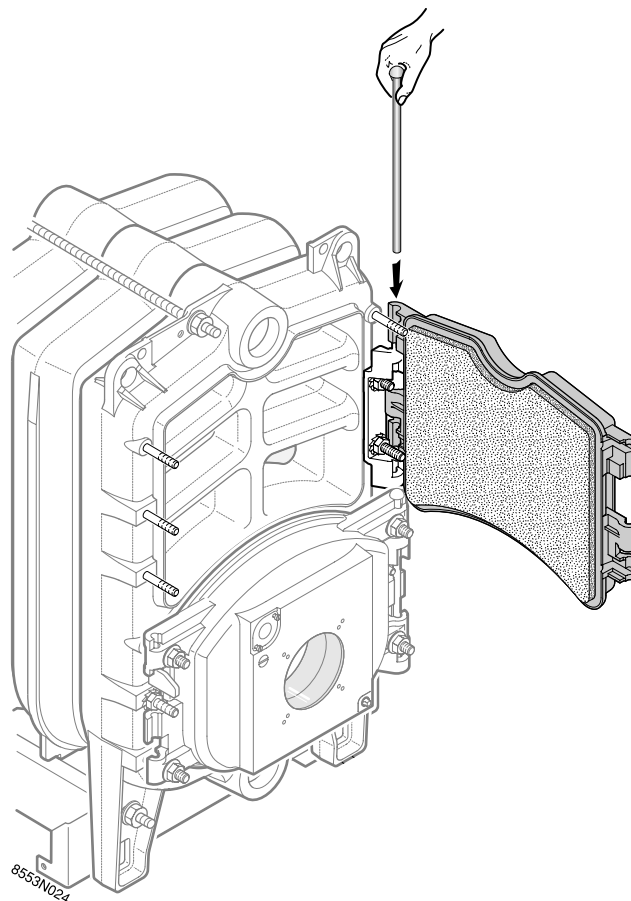
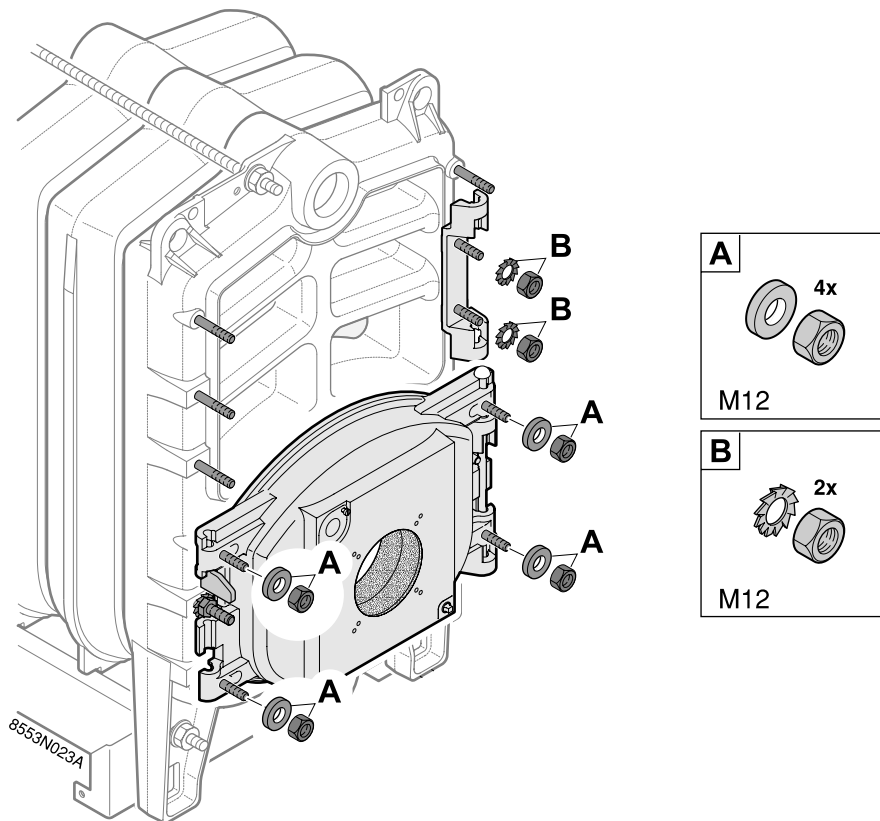
 Ensure that all the air in the boiler is vented to avoid any bursting of the body.

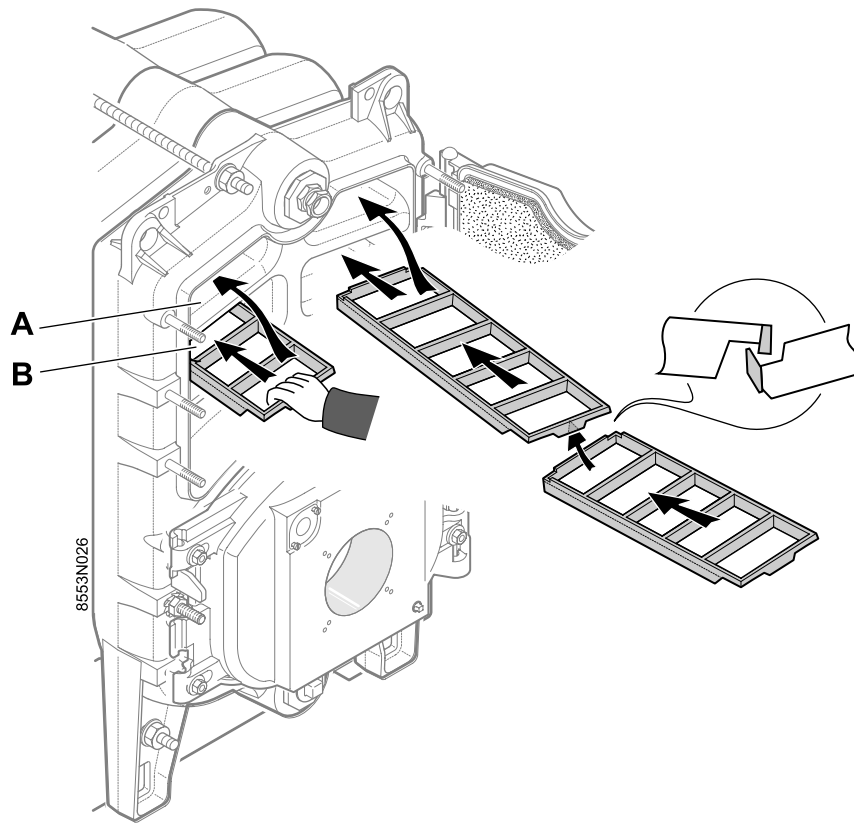


 Maintain pressure for at least 10 minutes. Any drop in pressure indicates a leakage in the boiler body



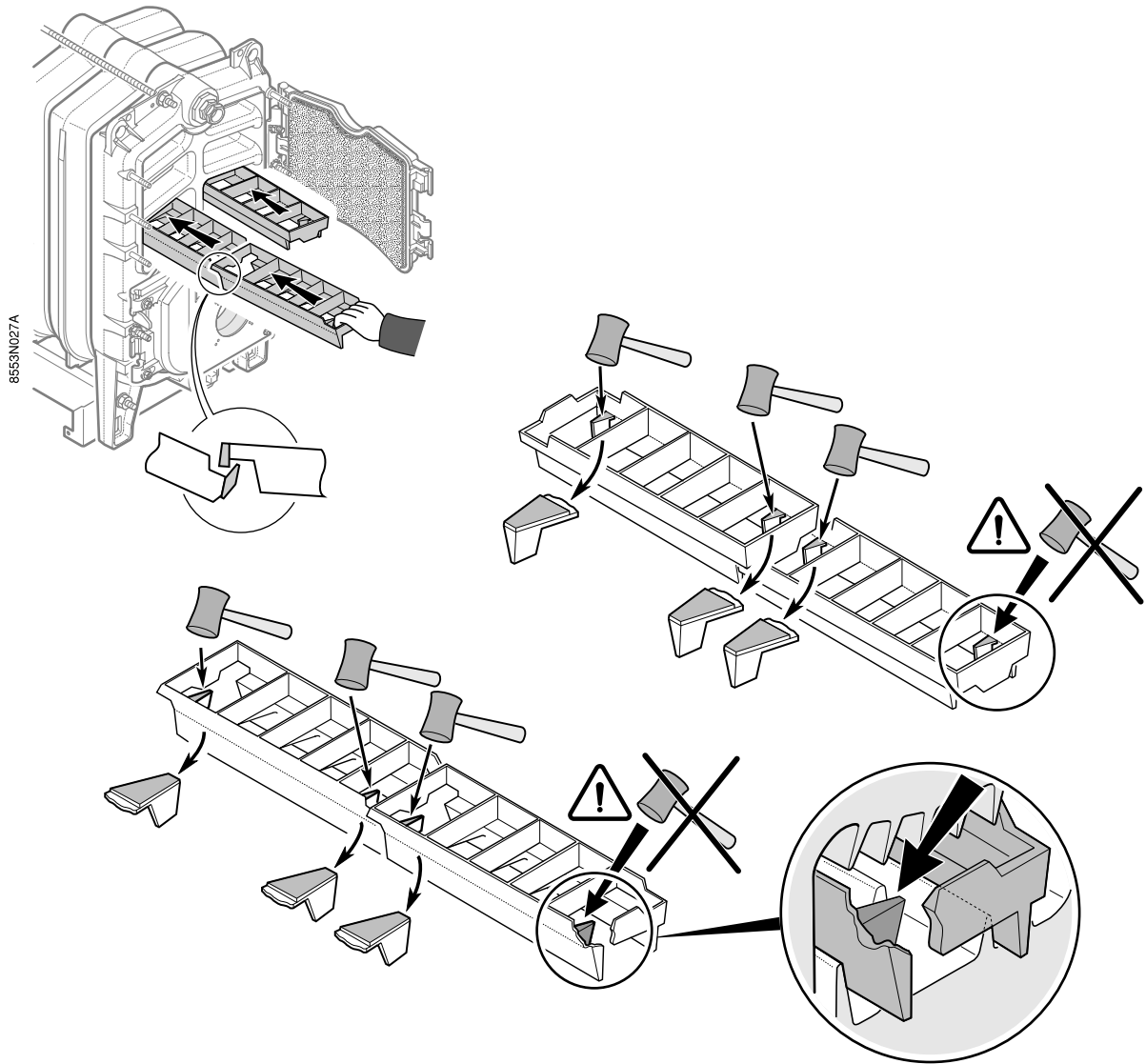






Upper baffle plates	Flue ways		NXR3i-4	NXR3i-5	NXR3i-6	NXR3i-7	NXR3i-8	NXR3i-9
Length: 410 mm	A + B		-	8	8	4 ⁽¹⁾	-	-
Length: 570 mm	A + B		4	-	-	4	4 ⁽¹⁾	4 ⁽¹⁾

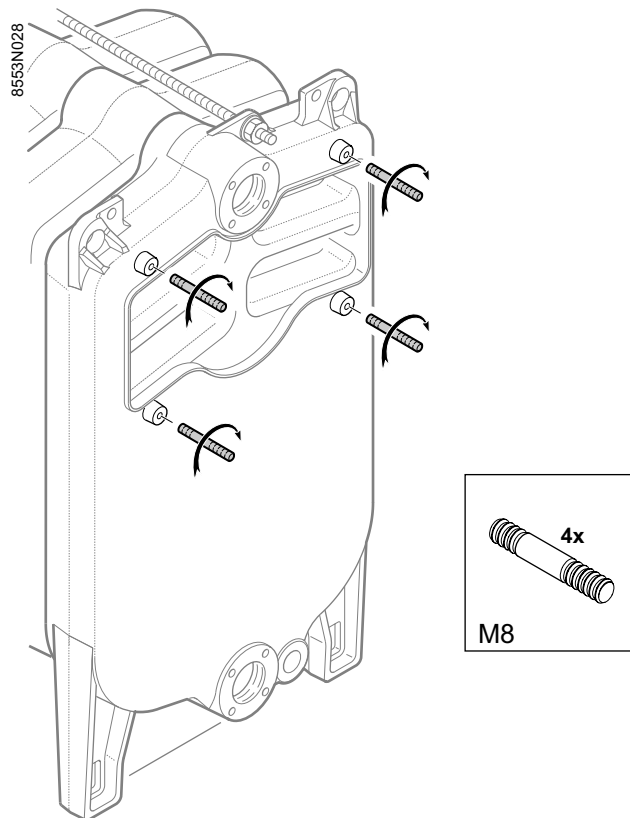
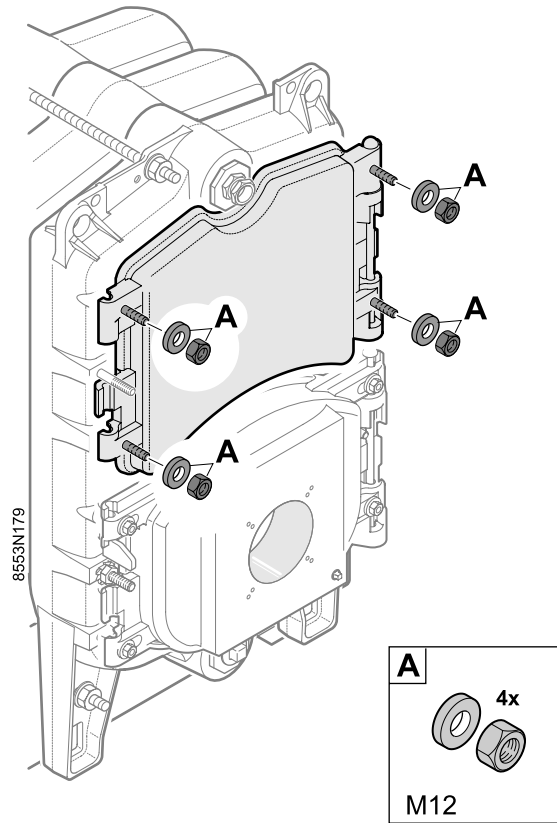
⁽¹⁾ 4 baffles are not used.

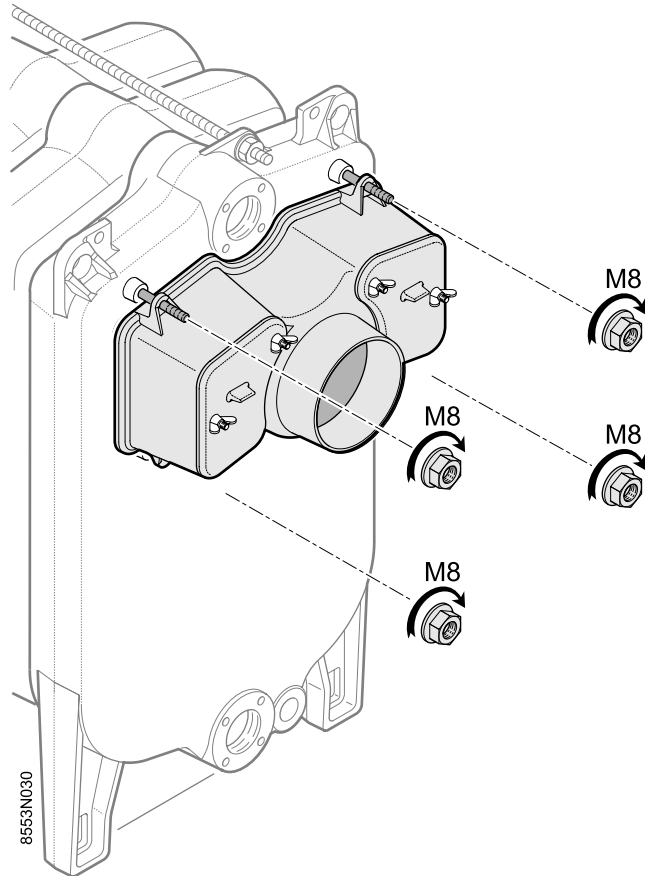


! The burner head deflector must be flush with the insulation of the burner door.

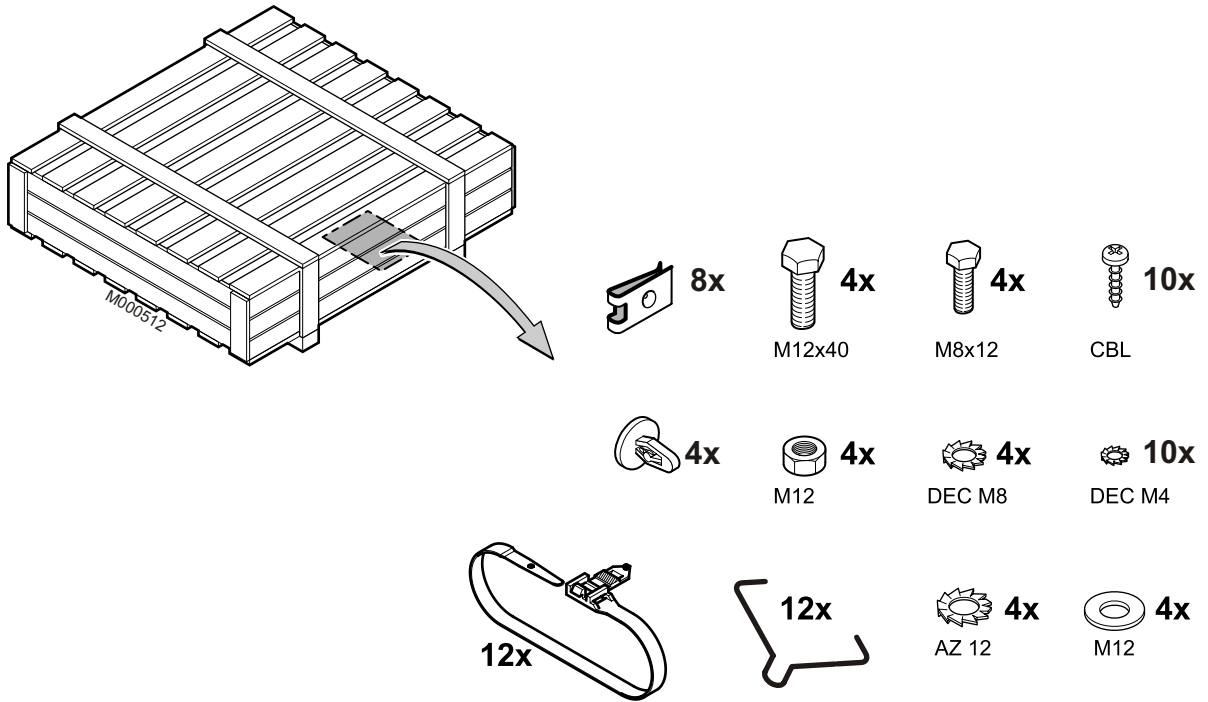
Lower baffle plates		NXR3i-4	NXR3i-5	NXR3i-6	NXR3i-7	NXR3i-8	NXR3i-9
Length: 412 mm		2	2	2	2	2 ⁽¹⁾	2 ⁽¹⁾

⁽¹⁾ 2 baffles are not used.

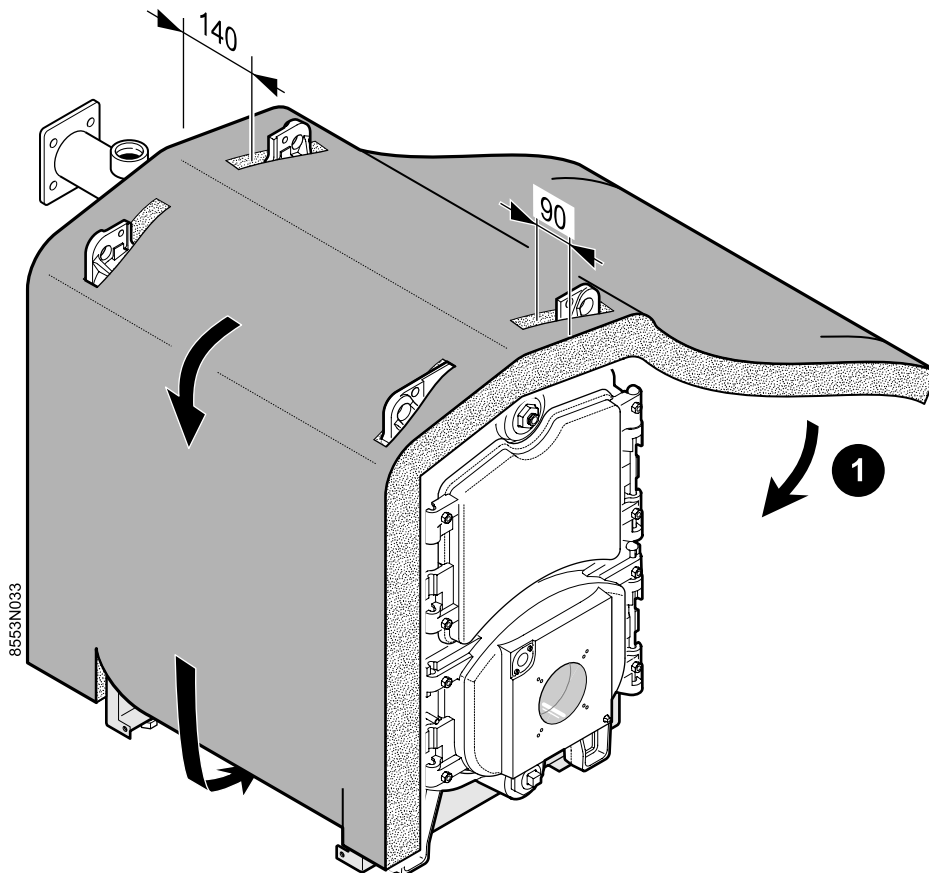


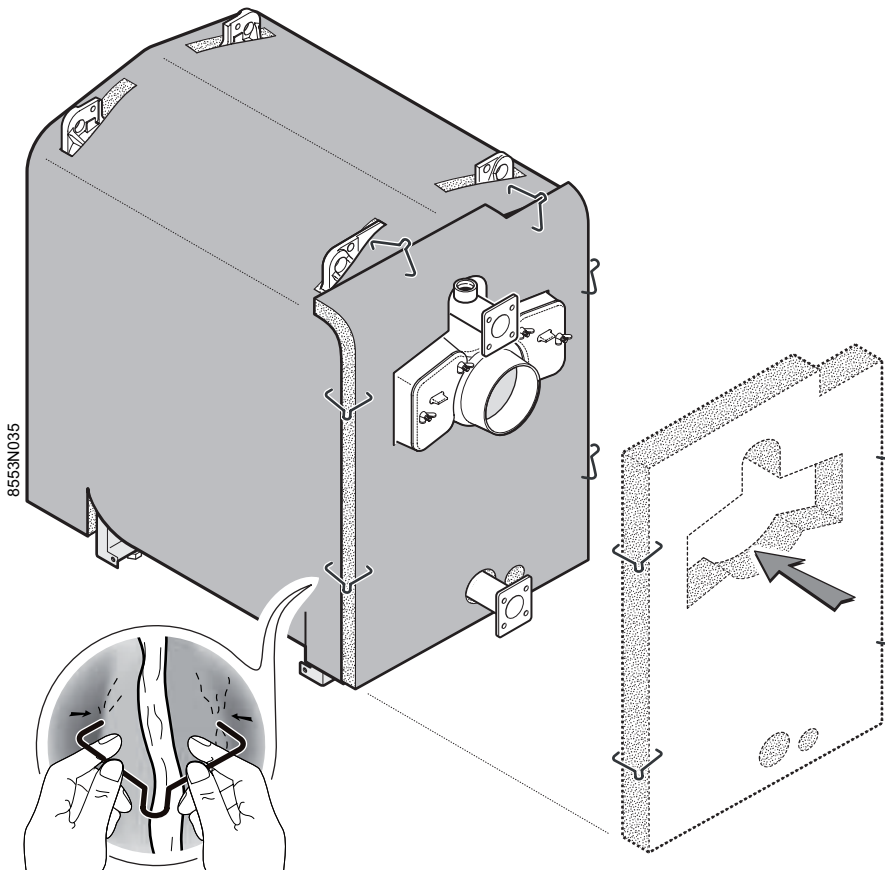
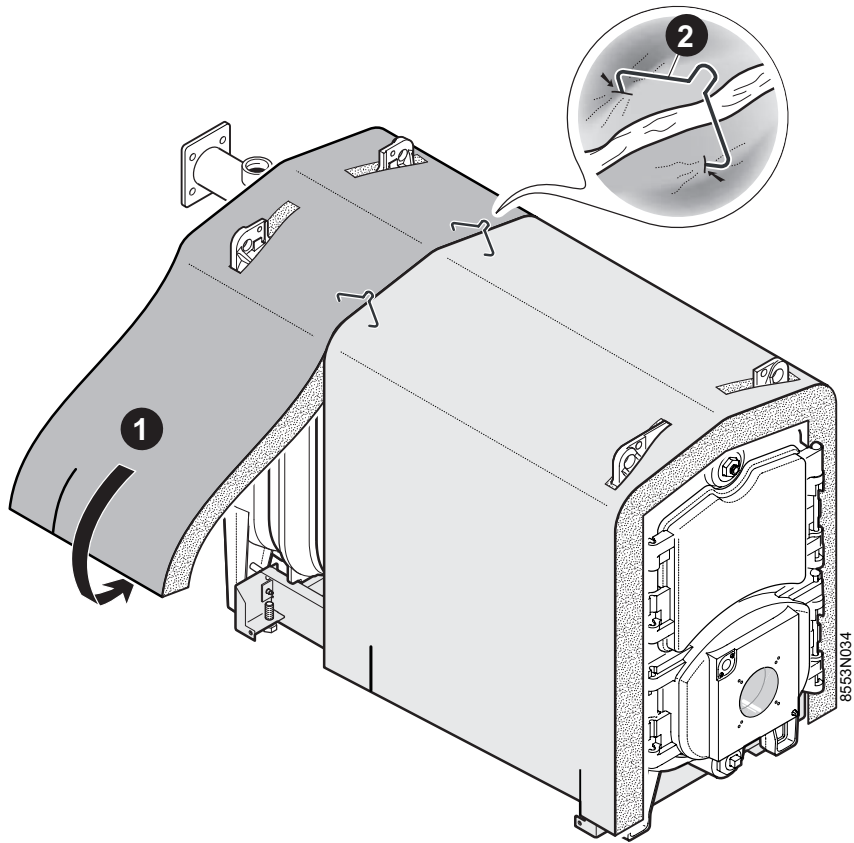


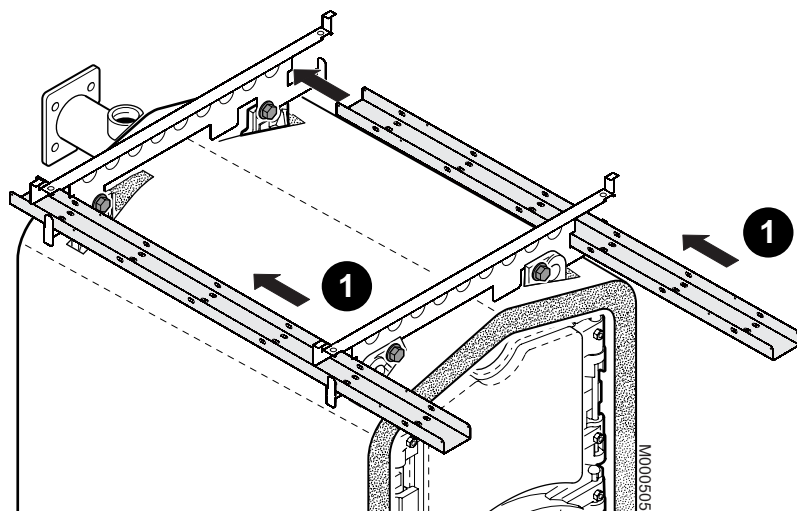
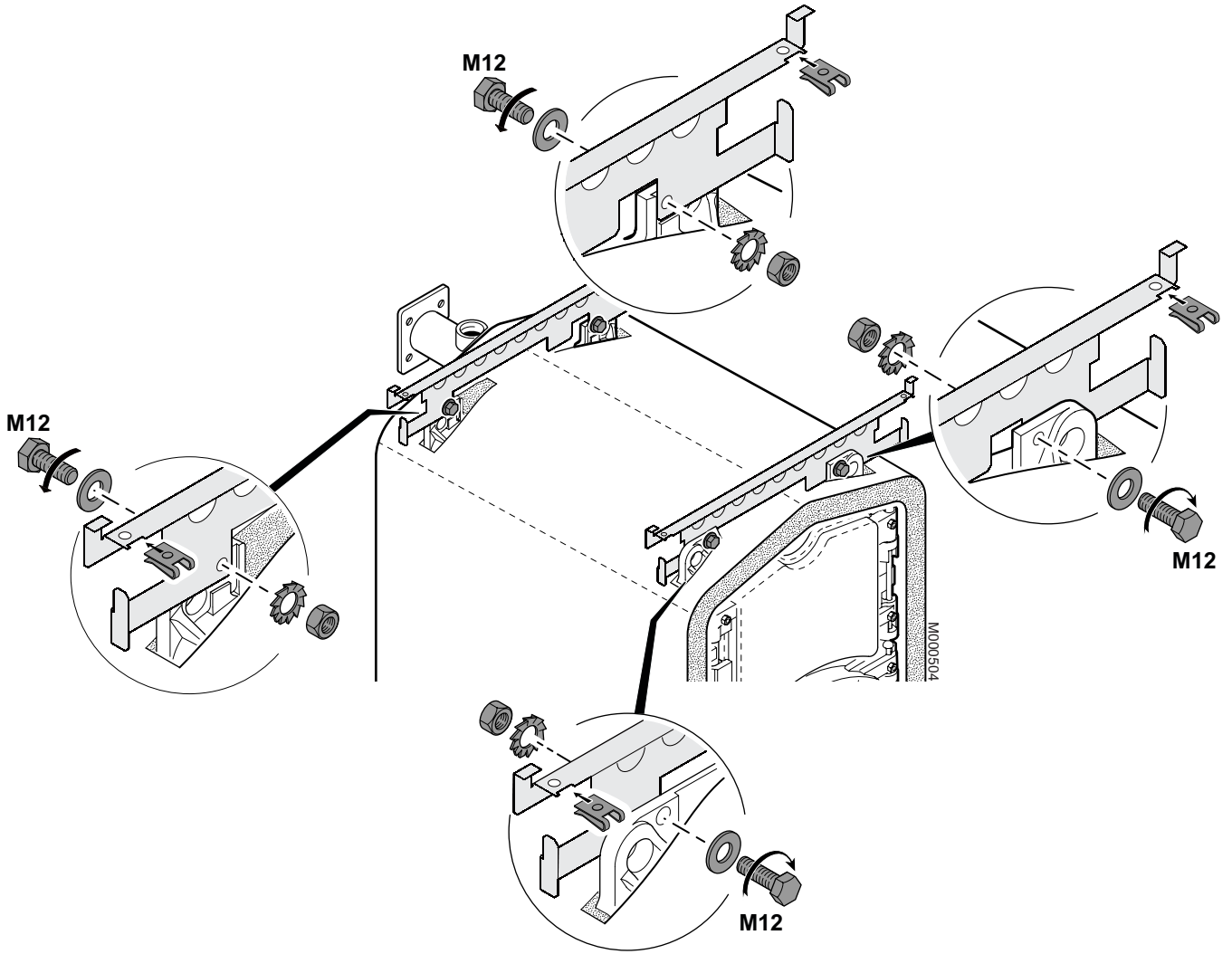
MD7- MD8 - MD9 - MD10 - MD11 - MD12

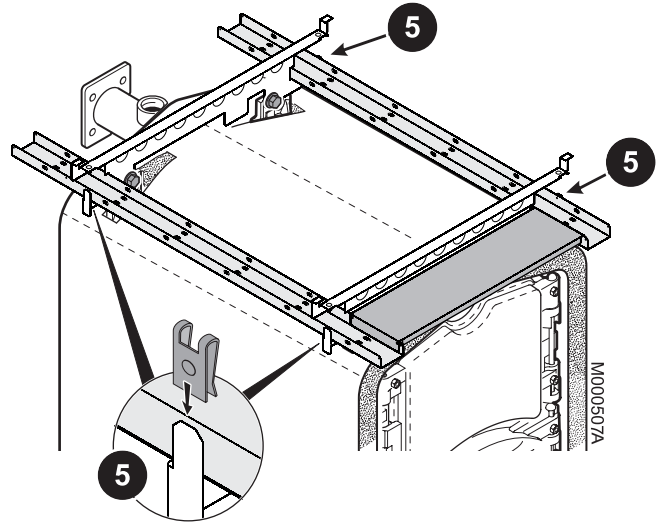
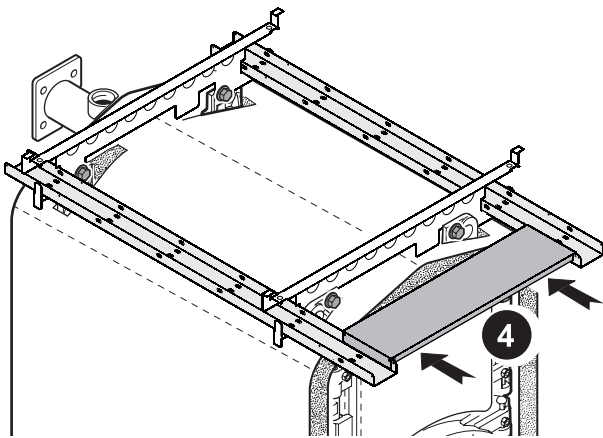
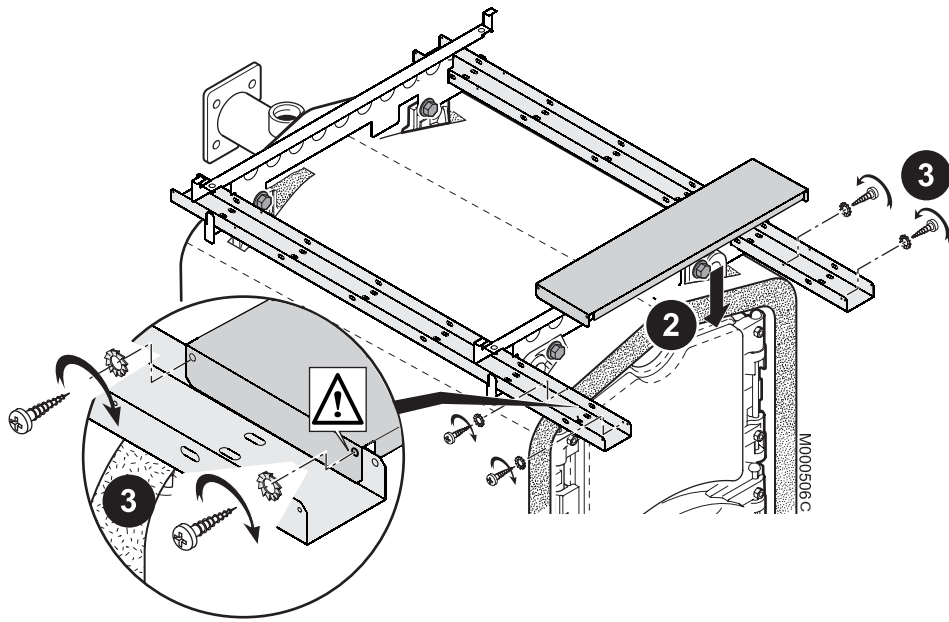


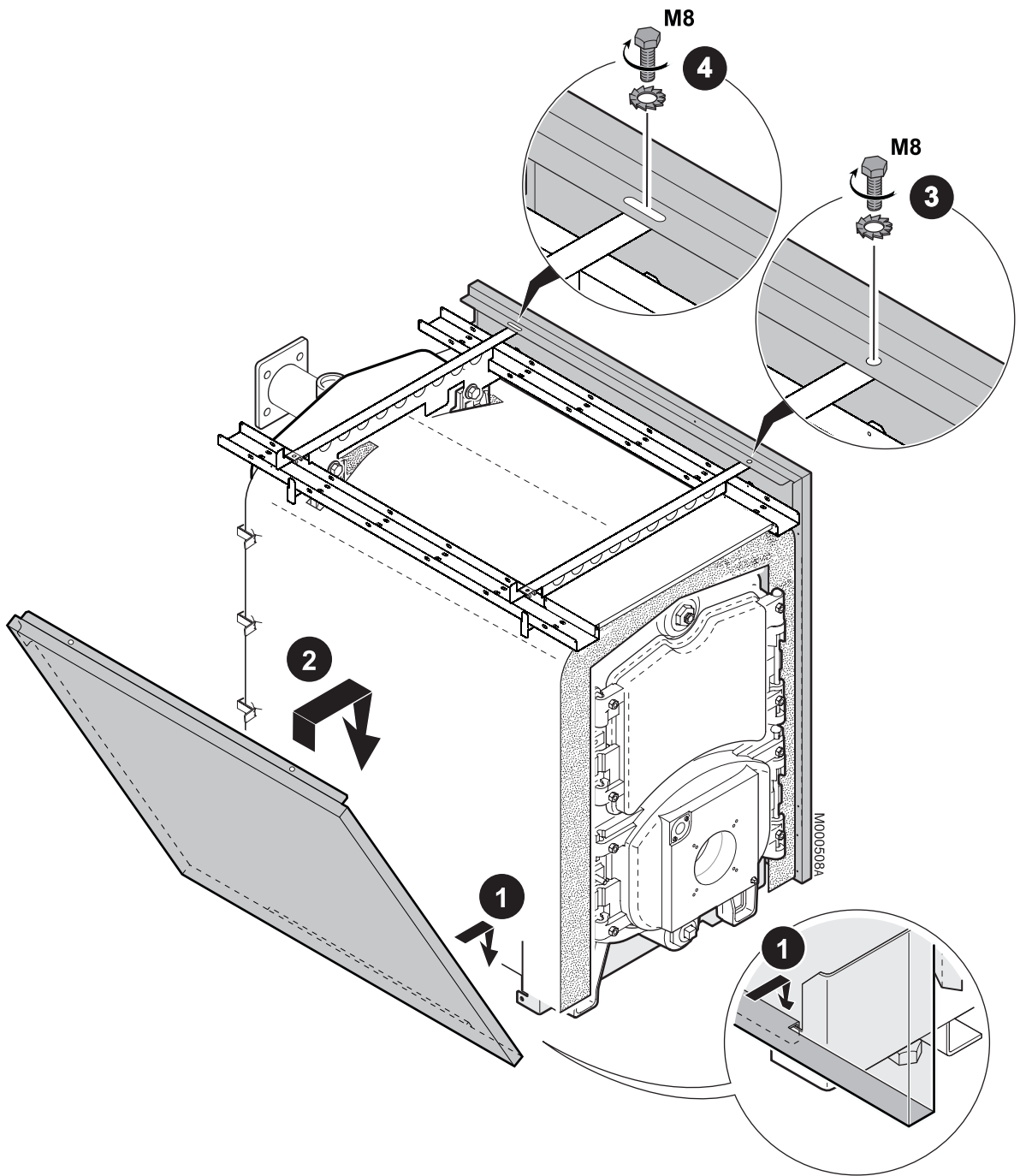
4-5-6-7 section boilers

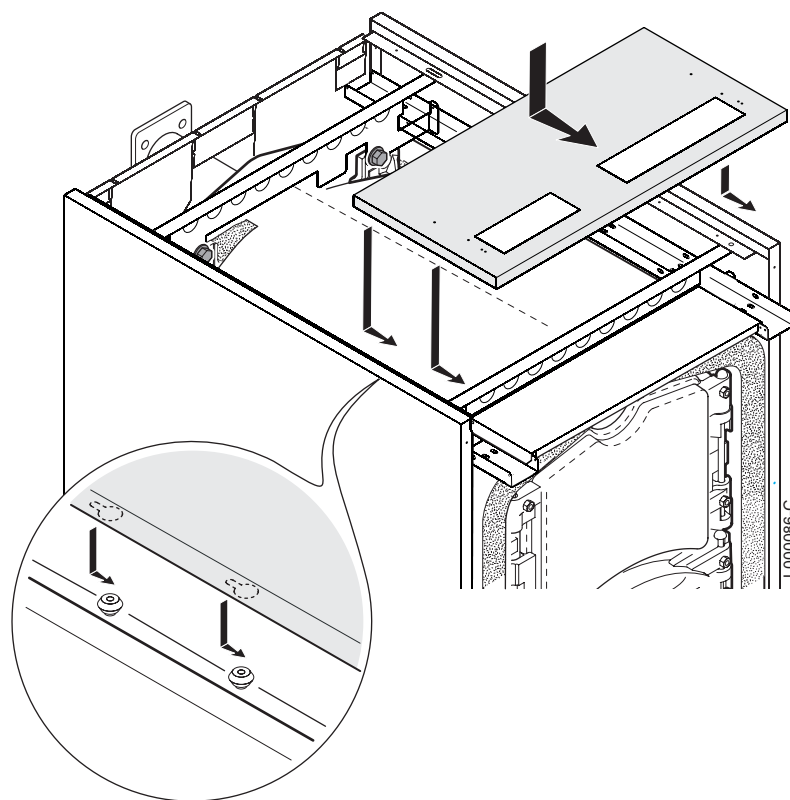
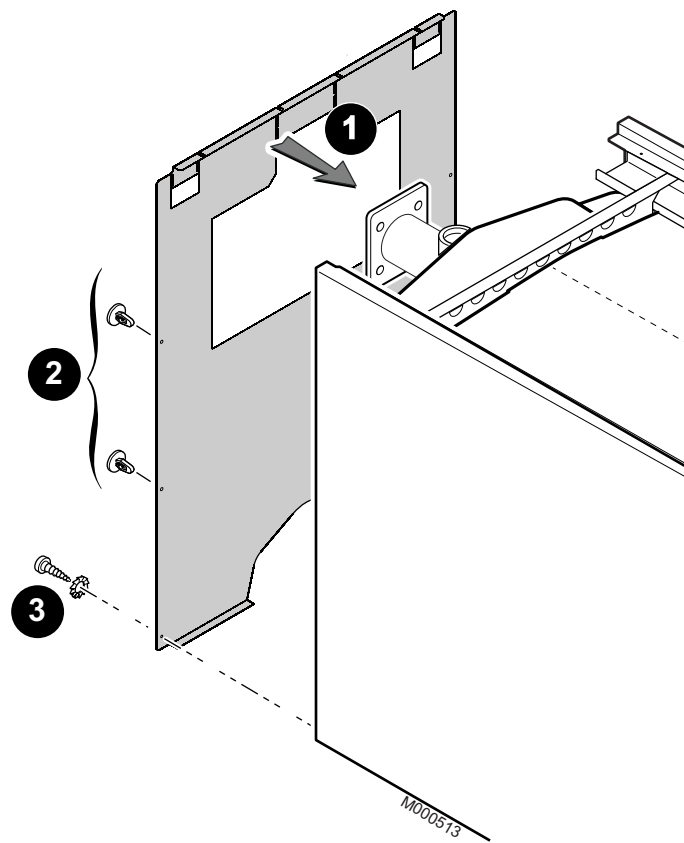


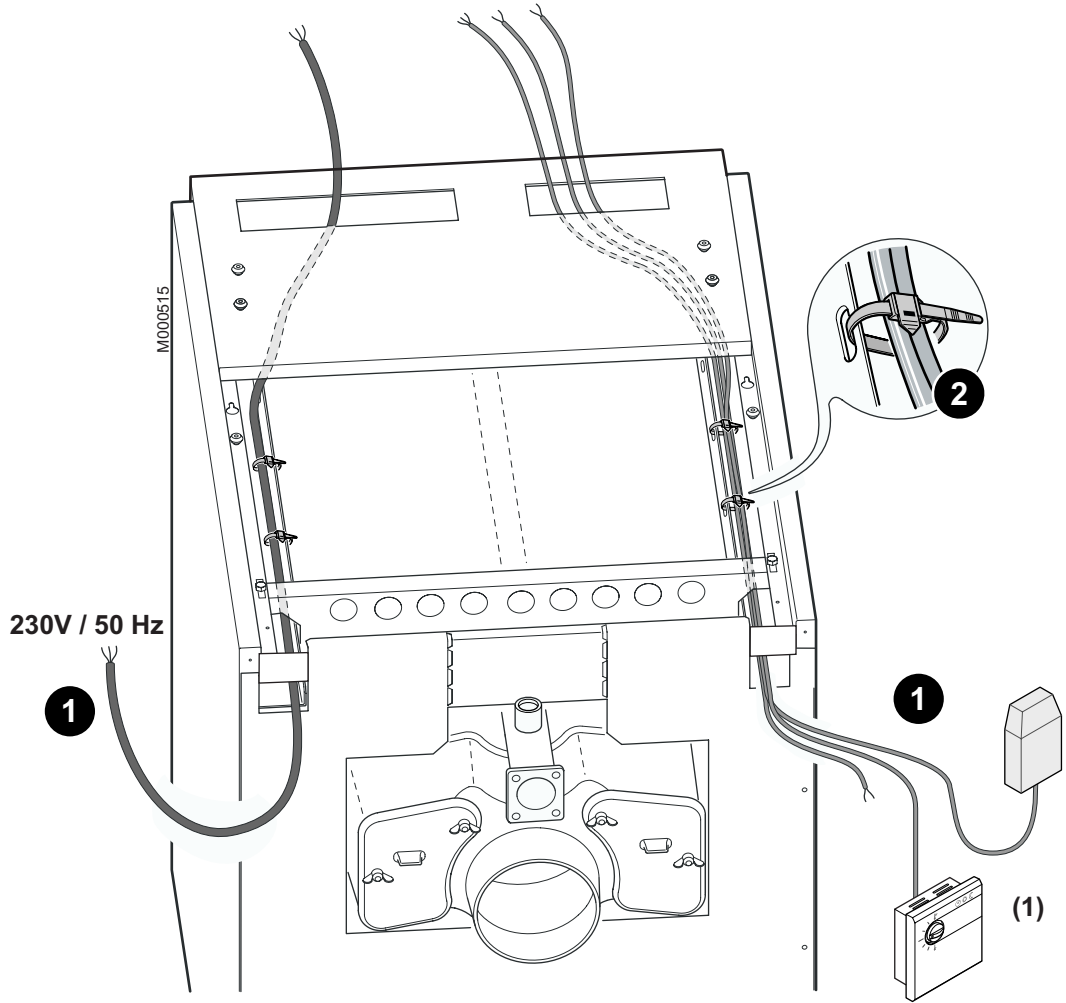




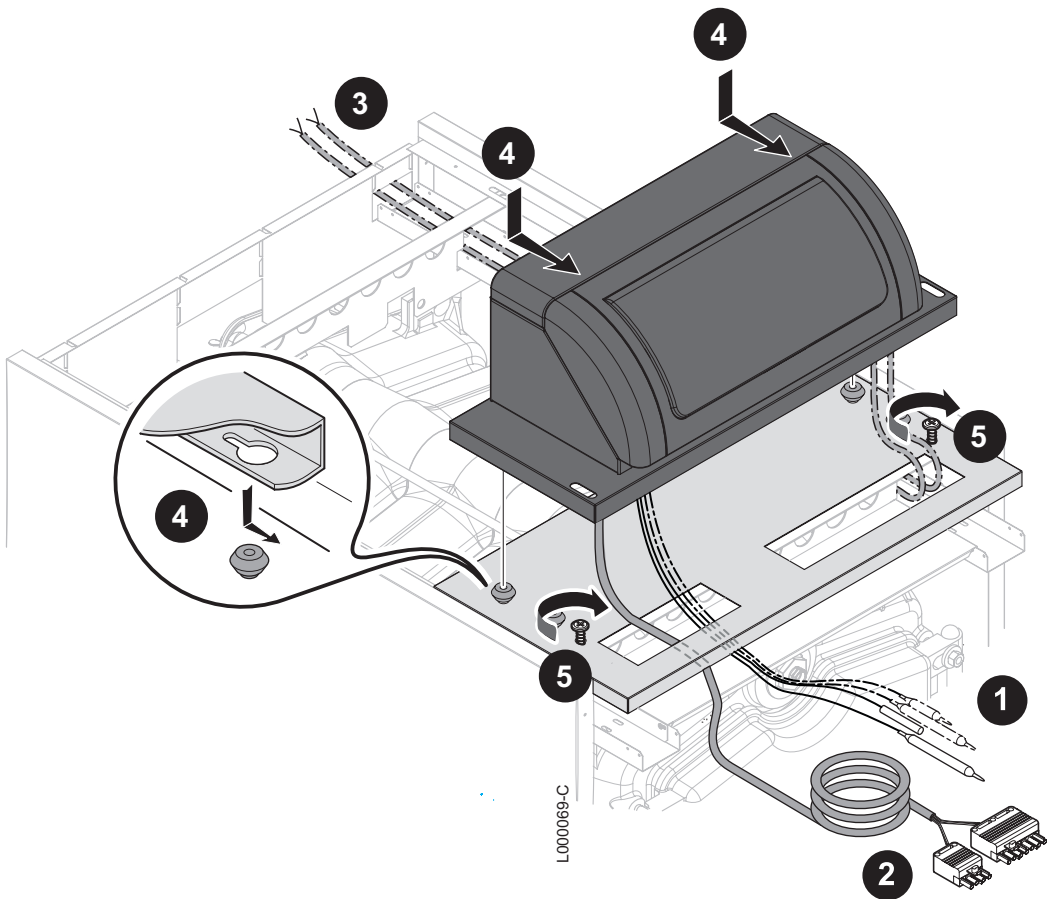
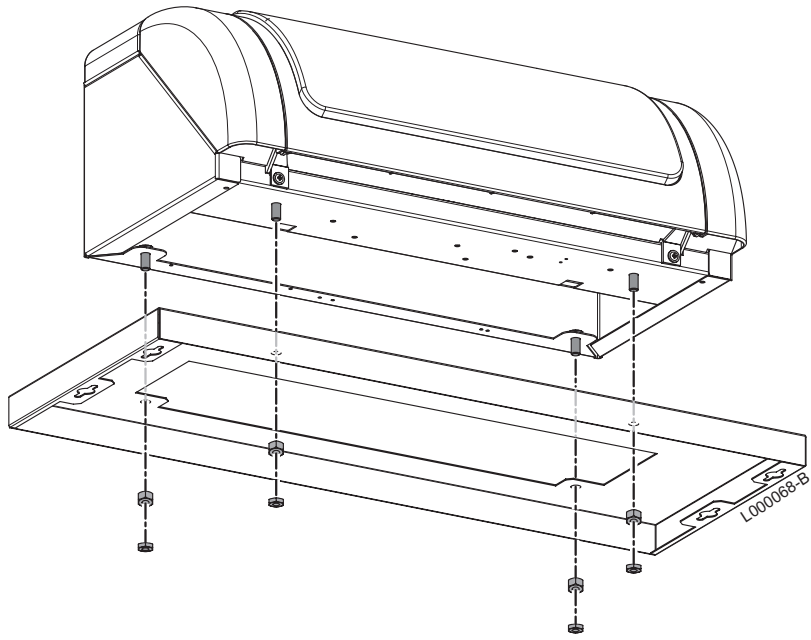


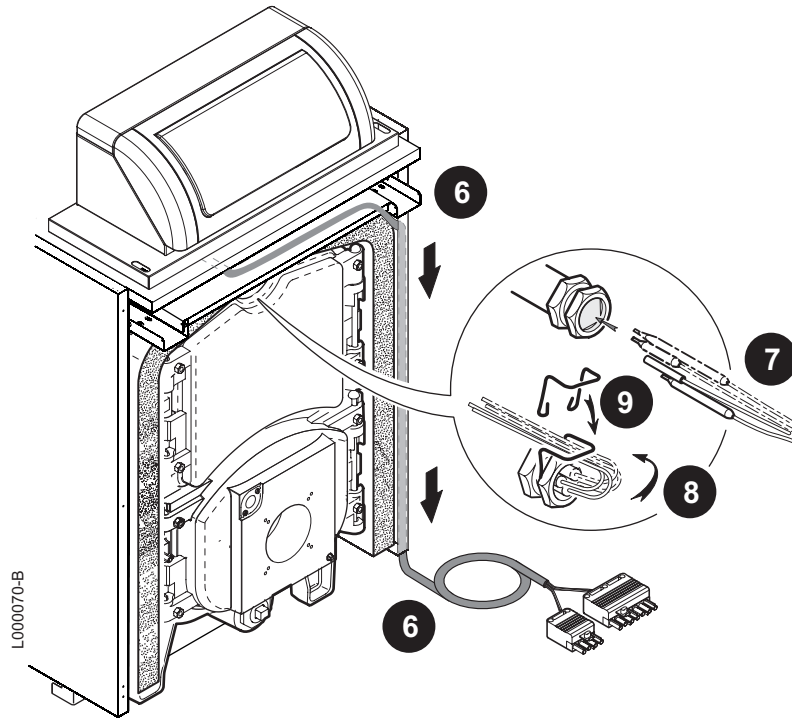




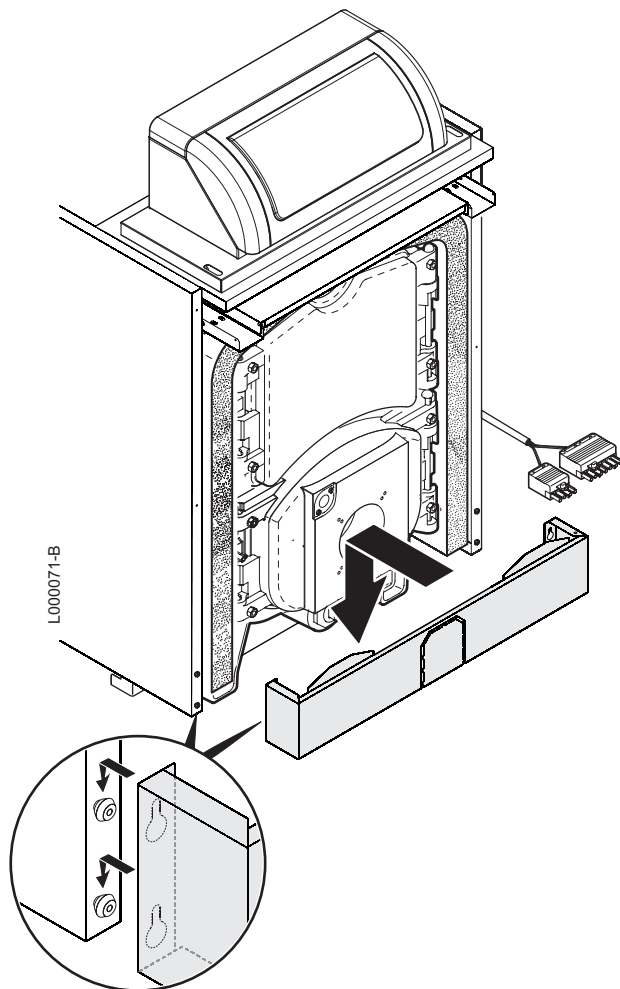


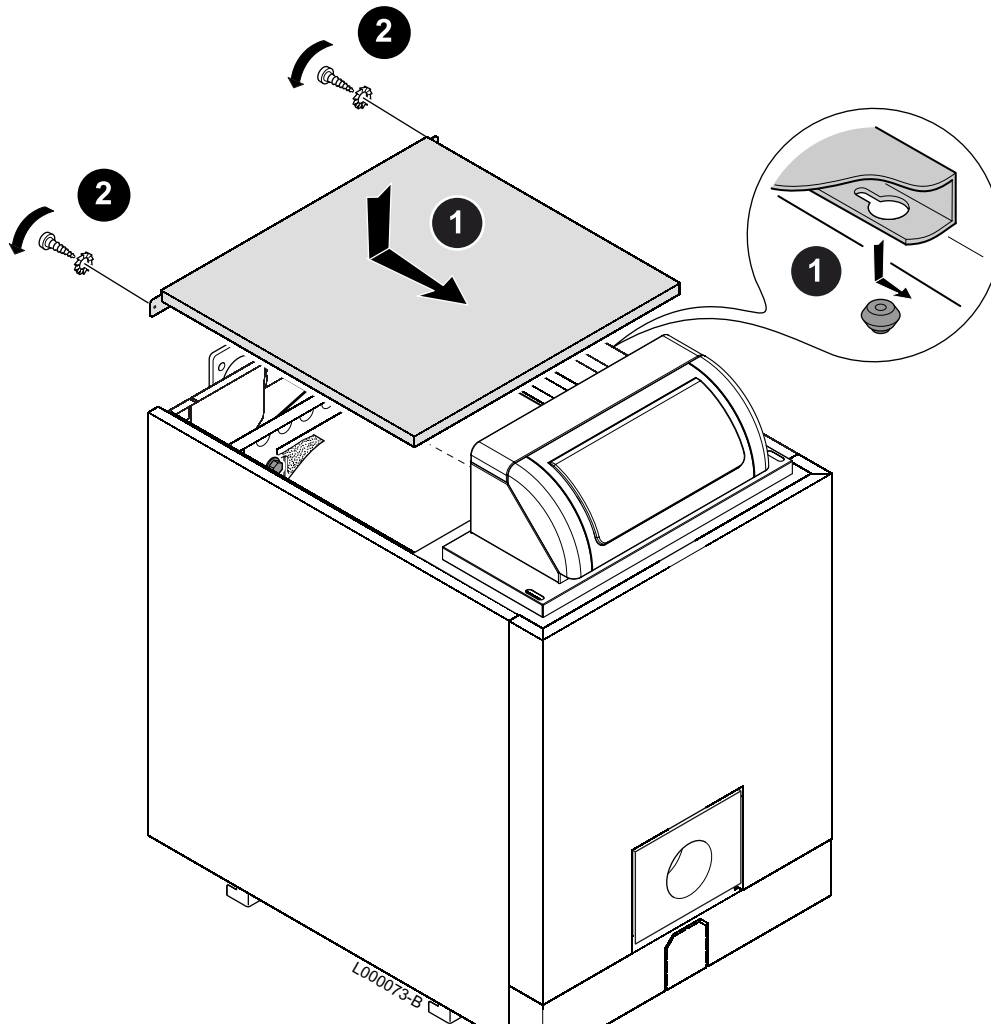
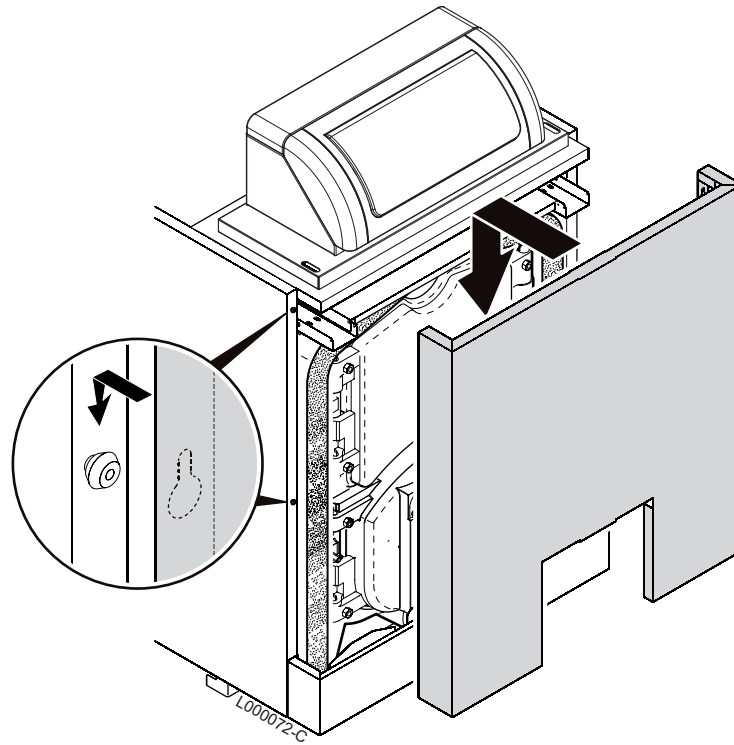
39 Control panel assembly

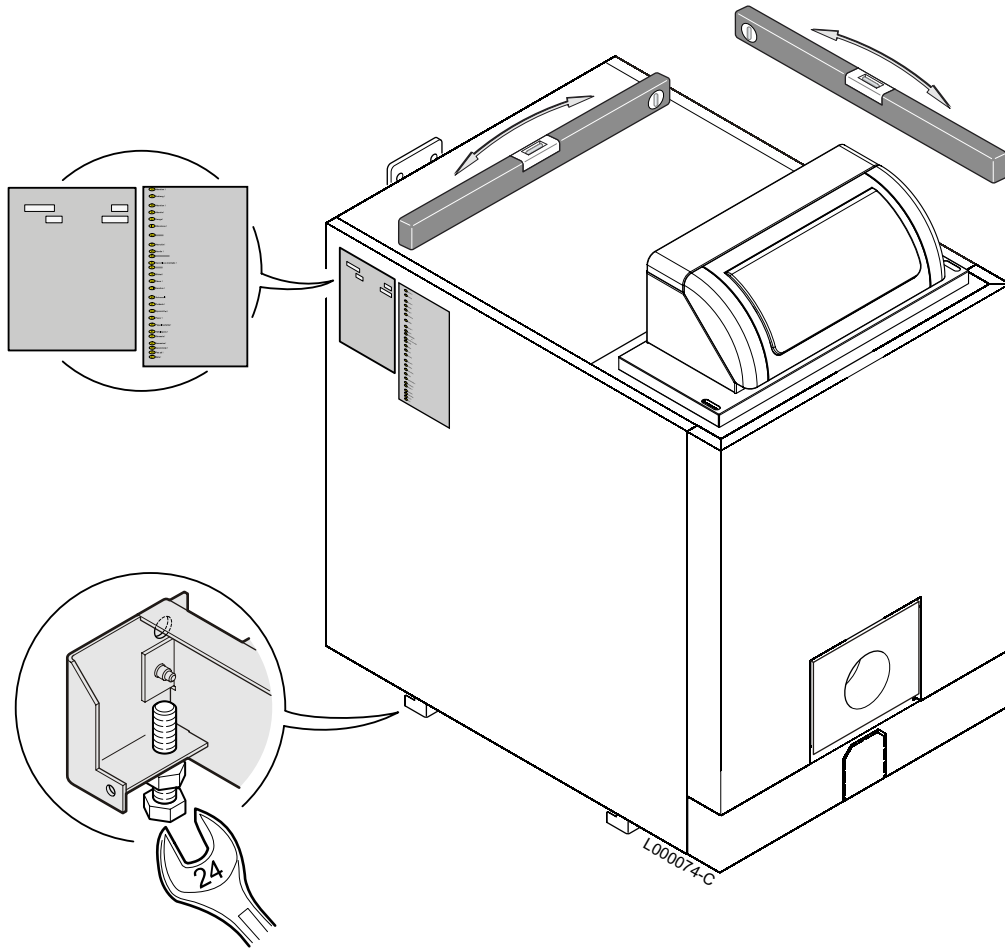




40







Commercial sales technical & service enquiries

Tel: 0845 070 1055
Fax: 0845 070 1059
Sales hotline: 0845 070 1056
Technical helpline: 0845 070 1057
Service hotline: 0845 070 1058
e-mail: [potterton.commercial@
baxicommercialdivision.com](mailto:potterton.commercial@baxicommercialdivision.com)
web: www.pottertoncommercial.co.uk

Spares

Potterton Commercial spares are available nationwide through the interpart network of approved stockists. Alternatively please contact:-

Interpart

Brooks House
Coventry Road
Warwick CV34 4LL
Tel: 0844 871 1540

Applications & Installations

Our experienced technical support team are available to offer advice on any aspect of heating system design and boiler installation.

Please contact: 0845 070 1057

Commercial service offices

Our service organisation covers the whole of the UK to look after your needs for all Potterton Commercial products.

Our service office offers a wide range of specialised services including:

- Burner commissioning for all fuels
- Boiler service contracts
- Breakdown and repair services
- Burner and boiler replacement
- Oil/gas conversions
- Water treatment and descaling
- Packaged units

All descriptions and illustrations contained within this leaflet have been carefully prepared, but we reserve the right to make changes and improvements in our products which may affect the accuracy of the information in this leaflet.

