

Potterton Range Guide

High efficiency boilers

Experts in
public sector
housing and
newbuild

Manufactured
in the UK
for 150 years

Our boilers
use tried
and tested
technology

ErP Compliant



Totally dependable.

POTTERTON

Contents

Welcome	3
Promax Combi	6
Promax Ultra Combi	10
Promax System	14
Promax Ultra Heat	18
Promax Store	22
Flue options	26
Boiler compatibility	31
Accessories and controls	31
Case study	32
Newdesign and whole life costing	34
Support you can depend on	36



**Totally
dependable.**

Welcome

We've been a leading player in the heating industry since 1850. By making dependable products backed by trusted service, our success is built on customer satisfaction. You can rely on us at every stage of your project: from design and tender to installation, commissioning, handover and beyond. Whatever the size of the application, we're always here to help.

Before any Potterton boiler leaves our factory, it must achieve a 100% pass rate throughout our rigorous testing programme. All our products use the latest, proven technology and represent energy efficient, environmentally friendly and easy-to-use home heating solutions.

We provide high quality service and technical support for the lifetime of the product. We work closely with our partners to promote environmental, social and economic sustainability, exceeding expectations and helping to meet carbon reduction targets.

Potterton – totally dependable.

**Experts in
public sector
housing and
newbuild**



**Manufactured
in the UK
for 150 years**



**Our boilers
use tried
and tested
technology**



Our commitment to you

Potterton can demonstrate our environmental credentials and our quality management systems through achieving the internationally recognised ISO 14001 and ISO 9001 standards.

We are fully committed to our company's Corporate Social Responsibility (CSR) policy, and we strive to work in a sustainable and decent way.

We are committed to operating an ethical business and quality assured supply chain that delivers exceptional customer satisfaction with class leading products and services.

We value our environment and are committed to minimising the carbon emissions in our workplace, products and throughout our supply chain.

We believe that investing in the health and welfare of our people is critical to our future success and long term sustainability.

We build partnerships at a local level by offering practical support such as work experience or training in schools, colleges, institutions, charities and local authorities.



Potterton delivers best value through reliable, energy efficient boilers, and excellent customer support and technical backup. Whichever boiler you choose, you can depend on Potterton.



Performance

We understand that consistent performance is vital. That's why we ensure all our products exceed customer needs – for capability, reliability and efficiency.



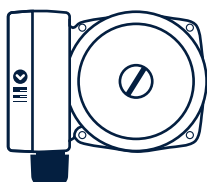
Service excellence

We're committed to delivering the highest standards of customer service possible. How? By supporting our customers every step of the way.



Engineering quality

We pride ourselves on offering great value solutions, but that doesn't mean we compromise on our technology, design and components.



Genuine parts

We stock parts for all our boilers for up to 10 years after they have stopped being made.



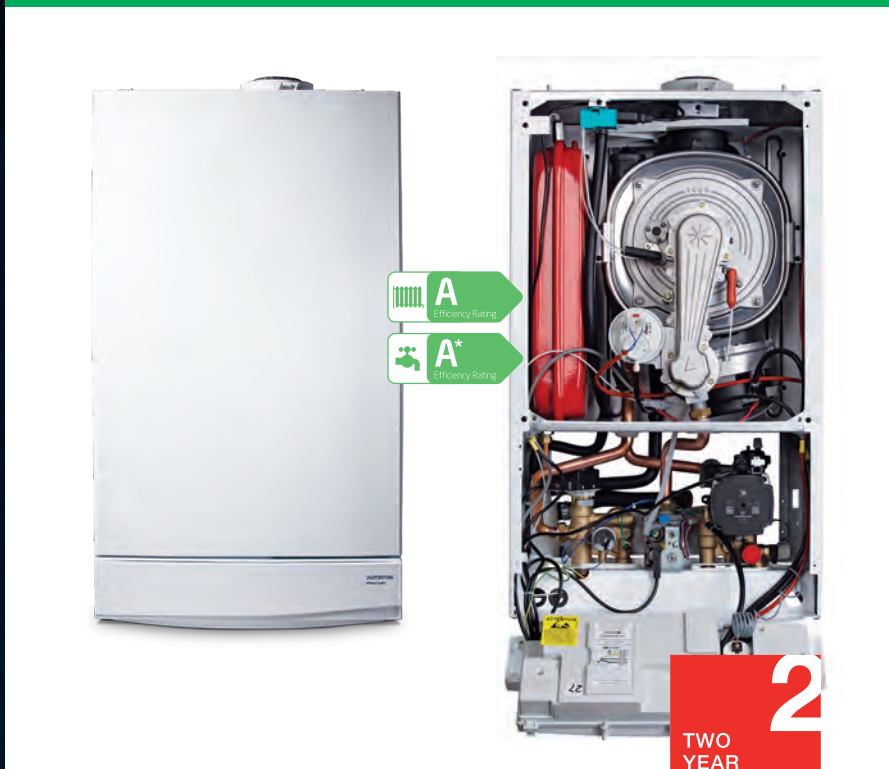
Customer support

Our responsive UK customer contact centre and nationwide network of Gas Safe registered engineers are here to help.



Sales support

Our dedicated teams understand the specific needs of the public sector and housebuilders.



Promax Combi



A range of high efficiency combi boilers that are quick and easy to install in a wide range of homes. Flexible and reliable, each model offers built-in frost protection and flues that can be fitted almost anywhere.

**24kW to
33kW**

Outputs

Up to 20m

Flueing options

Up to 37%

Gas savings

*Based on XL load profile

Features and benefits

Features

24kW, 28kW and 33kW

Fully modulating and highly efficient

Compatible with Multifit GasSaver

Pre-plumbing jig

Flueing options of up to 20m

Optional stand off bracket

Separate CH & DHW selector dials

NOx 5 - best in class

Robust hydraulic connections

Optional outdoor weather sensor available

Optional Offset Elbow available for centre flueing

Filling Loop included in the box

Benefits

A model for most sizes of property

Boiler intelligently uses the right amount of fuel to meet the set central heating and hot water temperature, saving money on fuel bills

Can give savings of up to 37% on gas for DHW

Pipe work can be pre-installed and the boiler added when the property is occupied

Allowing greater flexibility of siting

Allows pipes to be routed behind the boiler

Easy to use controls

Complies with the Code for Sustainable Homes

Quality and reliability

Enhances system control and customer comfort

Allows replacement of boilers with a central flue without the need to drill a new hole

For ease of filling and topping up the system

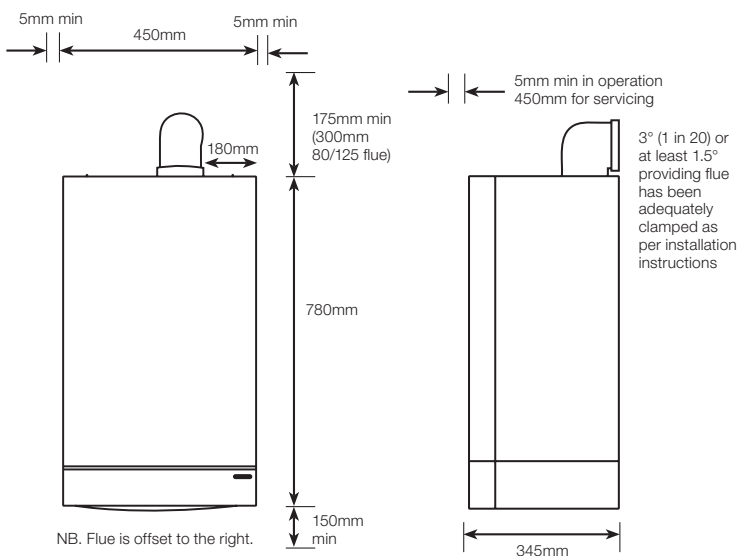


Jerry Martin
Project Manager
ECS South West Ltd

“For the Mount Wise project, our consultants needed to make recommendations to the developers for heating solutions for a number of different style properties. These properties ranged from single bedroom apartments to four bedroom houses, and from social housing to luxury homes – so there was quite a variance in requirement. What we needed was a simple, streamlined solution that would tick all the boxes.

Potterton Promax boilers were SEDBUK band A boilers and fully modulating, so the output of the boiler could modulate up and down according to the needs of the resident, to make them very efficient in operation.”

Dimensions



Technical information

The Potterton Promax Combi is compatible with Flue Group A, G and N

Potterton Promax Combi

	Units	24	28	33
Sales code (boiler only)		7219453	7219455	7219456

Controls

Concealed user controls		Yes	Yes	Yes
Operating mode selector switch with reset		Yes	Yes	Yes
User adjustable DHW temperature		Yes	Yes	Yes
User adjustable CH temperature		Yes	Yes	Yes
LED operating status display		Yes	Yes	Yes
Integral 24hr electro-mechanical timer		Optional	Optional	Optional
Integral 7 day electronic timer		Optional	Optional	Optional
Single channel wireless programmable room thermostat		Optional	Optional	Optional
Weather outdoor sensor		Optional	Optional	Optional

Gas

Gas (natural gas/LPG)		NG	NG	NG
Inlet supply pressure	mbar	20	20	20
Maximum gas rate	m ³ /hr	2.6	3.1	3.6
Heat input central heating (CH)	kW max gross (QnHs)	22.7	27.4	32.1
	kW min gross (QnHs)	7.8	10	10.8
Heat output CH non-condensing	kW max (Pn)	20.6	24.7	28.9
	kW min (Pn)	6.8	8.7	9.4
Heat output CH condensing	kW max (Pnc)	21	25.9	30.3
	kW min (Pnc)	7.4	9.5	10.2
Heat input domestic hot water	kW max gross (QnwHs)	27.4	32.1	37.7
Heat output domestic hot water	kW max (Pn)	24	28	33
Maximum domestic hot water flow rate	l/min @ 30°C rise	11.43	13.3	15.7
Maximum domestic hot water flow rate	l/min @ 35°C rise	9.8	11.5	13.5
Boiler Plus ErP	%	92.0	92.0	92.0
SAP 2009/2012 annual efficiency (PCDB/SEDBUK)	%	89.0	89.0	88.9
NOx class		5	5	5

ErP product information

NOx	mg/kWh	20	23	20
Sound power level, indoors	L _{WA} dB	50	53	52
Space heating efficiency class		A	A	A
Water heating declared load profile		XL	XL	XL
Water heating efficiency class		A	A	A
EcoHomes	Credits	3	3	3

Electrical

Electrical supply	Volts/Hz	230/50	230/50	230/50
Permanent live required		Yes	Yes	Yes
Power consumption	Watts	85	120	125
External fuse rating	Amps	3	3	3
Boiler IPX rating (electrical protection) without integral timer fitted		IPX5D	IPX5D	IPX5D
Integral 'boiler only' frost thermostat		Yes	Yes	Yes

	Units	24	28	33
Mechanical				
Pre-plumbing / wall mounting jig		Yes	Yes	Yes
Isolating valves		Yes	Yes	Yes
Gas supply connection	mm	22	22	22
Central heating connections	mm	22	22	22
Domestic hot water connections	mm	15	15	15
Condensate drain connection	mm	21.5	21.5	21.5
Filling loop kit		Yes	Yes	Yes
Hydraulic				
Domestic hot water output (raised 35°C) (max)	l/min	9.8	11.5	13.5
Domestic hot water operating flow rate (min)	l/min	2	2	2
Domestic hot water operating pressure (min)	bar	0.15	0.15	0.15
Domestic hot water system pressure (max)	bar	8	8	8
Safety discharge pressure	bar	3	3	3
Integral automatic bypass		Yes	Yes	Yes
Integral expansion vessel capacity	litres	8	8	8
CH system capacity (max)	litres	125	125	125
Compartment ventilation required		No	No	No
24hr pump exercise		Yes	Yes	Yes
Pump overrun		Yes	Yes	Yes
Concentric flue systems				
Concentric flue diameters	mm	60/100 and 80/125		
Standard horizontal flue kit length (ø 60/100)	mm	685	685	685
Maximum equivalent vertical length (ø 60/100)	m	10	10	10
Maximum equivalent vertical length (ø 80/125)	m	20	20	20
Maximum equivalent horizontal length (ø 60/100)	m	10	10	10
Maximum equivalent horizontal length (ø 80/125)	m	20	20	20
Twin flue system				
Twin pipe flue diameter	mm	80/80	80/80	80/80
Maximum equivalent vertical length	m	15	15	15
Maximum equivalent horizontal length	m	15	15	15
Weights				
Gross packaged boiler weight	kg	45.5	45.5	47
Maximum installation lift weight	kg	40.2	40.2	41.7



2
TWO
YEAR
WARRANTY

Promax Ultra Combi



A range of high efficiency combi boilers with an excellent SAP 2012 seasonal efficiency rating, providing cost effective Building Regulations Compliance. The 40kW model delivers a higher domestic hot water flow rate for larger properties.

**24kW to
40kW**

Outputs

Up to 20m

Flueing options

**Front access to
components**

Easier to service

*Based on XL load profile 24 & 28, XXL for 33 & 40

Features and benefits

Features

24kW, 28kW, 33kW and 40kW

SAP 2012 seasonal efficiency figure of 89.1%

Service due indicator

Natural Gas and LPG ready

Front access to all components

Pre-plumbing jig

Flueing options of up to 20m

NOx 5 - best in class

Optional Outdoor weather sensor available

Optional stand off bracket

Optional Offset Elbow available for centre flueing

Filling Loop included in the box

Benefits

A model for most sizes of property

Easier, more cost effective Building Regulations compliance

Reminds your customer to call their landlord or housing association to service the boiler

One boiler to suit both fuel types, no need for a conversion kit

Saves time when servicing

Saves time on installation

Allowing greater flexibility of siting

Complies with the Code for Sustainable Homes

Enhances system control and customer comfort

Allows pipes to be run behind the boiler

Allows replacement of boilers with a central flue without the need to drill a new hole

For ease of filling and topping up the system

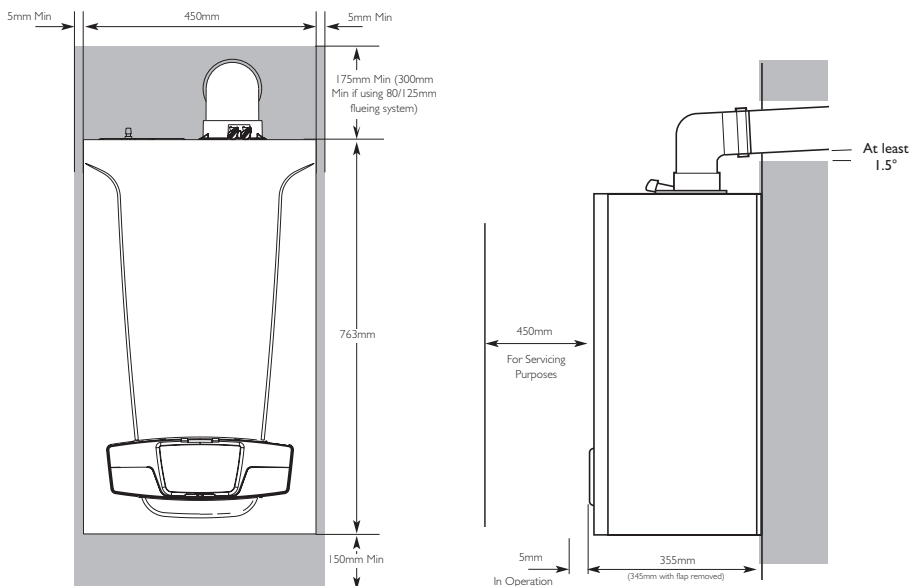


Nick Hogarth

Central Heating Contract Manager
Flintshire County Council

“Potterton has proved to be a reliable partner for Flintshire County Council and an integral part of our rolling refurbishment project team. The boilers are reliable and efficient, and the company’s commitment to tenant education and aftersales service has ensured that our residents have been able to get the most benefit from their new heating appliances, including better levels of comfort and significant savings on their bills. With results like that, appointing Potterton to provide a further 1,200 units for this year’s refurbishments just made good sense.”

Dimensions



Technical information

The Potterton Promax Ultra Combi is compatible with Flue Group A, G and N

Potterton Promax Ultra Combi

	Units	24	28	33	40
Sales code		7223762	7223763	7223764	7223765

Controls

Concealed user controls		Yes	Yes	Yes	Yes
On/off switch with reset		Yes	Yes	Yes	Yes
User adjustable DHW temperature		Yes	Yes	Yes	Yes
User adjustable CH temperature		Yes	Yes	Yes	Yes
LED temp/status/fault diagnosis display		Yes	Yes	Yes	Yes
Integral 24hr electro-mechanical timer		No	No	No	No

Gas

Natural gas		Yes	Yes	Yes	Yes
Nominal inlet supply pressure	mbar	20	20	20	20
Maximum gas rate	m ³ /h	2.61	3.05	3.59	4.35
Propane LPG		Yes	Yes	Yes	Yes
Nominal inlet supply pressure	mbar	37	37	37	37
Maximum gas rate (Note: Gas Type can be selected at commissioning)	kg/h	1.96	2.29	2.70	3.27
Heat input central heating (CH)	kW Max Gross(QnHs)	22.20	26.64	31.08	35.52
	kW Min Gross(QnHs)	3.89	4.32	5.33	6.55
Heat output CH non-condensing	kW Max (Pn)	20.00	24.00	28.00	32.00
	kW min (Pn)	3.40	3.80	4.70	5.70
Heat output CH condensing	kW max (Pnc)	21.20	25.30	29.60	33.80
	kW min (Pnc)	3.70	4.10	5.10	6.20
Heat input domestic hot water	kW Max Gross (QnwHs)	27.40	32.10	37.80	45.80
Heat output domestic hot water	kW Max (Pn)	24.00	28.00	33.00	40.00
Maximum domestic hot water flow rate	l/min @ 30°C rise	10.9	12.9	15.3	18.3
Maximum domestic hot water flow rate	l/min @ 35°C rise	9.8	11.5	13.5	16.4
Boiler Plus ErP	%	93.0	93.0	93.0	93.0
SAP 2009/2012 annual efficiency (PCDB/SEDBUK)	%	89.1	89.1	89.1	89.1
NOx class		5	5	5	5

ErP product information

NOx	mg/kWh	15	17	15	24
Space heating efficiency class		A	A	A	A
Water heating declared load profile		XL	XL	XXL	XXL
Water heating efficiency class		A	A	A	A
EcoHomes	Credit	3	3	3	3

Electrical

Electrical supply	Volts/Hz	230/50	230/50	230/50	230/50
Permanent live required		Yes	Yes	Yes	Yes
Fitted electrical cable		Yes	Yes	Yes	Yes
Power consumption	Watts	85	90	90	100
External fuse rating	Amps	3	3	3	3
Internal fuse rating	Amps	F2L	F2L	F2L	F2L
Ingress protection rating		IPX5D	IPX5D	IPX5D	IPX5D
Integral 'boiler only' frost thermostat		Yes	Yes	Yes	Yes

	Units	24	28	33	40
Mechanical					
Pre-plumbing/wall mounting jig		Yes	Yes	Yes	Yes
Isolating valves		Yes	Yes	Yes	Yes
Gas supply connection	mm	22	22	22	22
Central heating connections	mm	22	22	22	22
Domestic hot water connections	mm	15	15	15	15
Condensate drain connection	mm	21.50	21.50	21.50	21.50
Safety discharge connection	mm	15	15	15	15
Temporary filling loop included		Yes	Yes	Yes	Yes

Hydraulic

Domestic hot water output (raised 35°C) (max)	l/min	9.80	11.50	13.50	16.40
Domestic hot water operating flow rate (min)	l/min	2.00	2.00	2.00	2.00
Domestic hot water operating pressure (min)	bar	0.15	0.15	0.15	0.15
Domestic hot water system pressure (max)	bar	8	8	8	8
CH safety discharge pressure	bar	3	3	3	3
Integral automatic bypass		Yes	Yes	Yes	Yes
Integral expansion vessel capacity	litres	8	8	8	8
Max capacity of central heating system	litres	125	125	125	125
Compartment ventilation requirement		No	No	No	No
CH system inhibitor required		Yes	Yes	Yes	Yes
24 hour pump exercise		Yes	Yes	Yes	Yes
Pump overrun		Yes	Yes	Yes	Yes

Concentric flue systems

Concentric flue diameters	mm	60/100 and 80/125			
Standard horizontal flue kit length (60/100mm)	mm	685	685	685	685
Max equiv length horizontal/vertical (60/100mm)	m	10	10	10	10
Max equiv length horizontal/vertical (80/125mm)	m	20	20	20	20
Equivalent length per 135° bend	m	0.50	0.50	0.50	0.50
Equivalent length per 93° bend	m	1.00	1.00	1.00	1.00

Twin flue system

Diameters	mm	80/80	80/80	80/80	80/80
Max equiv length horizontal/vertical (parallel pipes)	m	15	15	15	15
Equivalent length per 135° bend	m	0.25	0.25	0.25	0.25
Equivalent length per 91.5° Bend	m	0.50	0.50	0.50	0.50

Weights

Max installation lift weight	kg	36.0	36.0	38.0	39.0
Gross packaged boiler weight	kg	41.5	41.5	43.5	44.5



Promax System



Each of the five models are fully modulating and can be sited easily with flue lengths of up to 20m. Boilers are suitable for homes with a high demand for hot water.

**12kW to
32kW**

Outputs

Up to 20m

Flueing options

Up to 37%

Gas savings

Features and benefits

Features

12kW, 15kW, 18kW, 24kW and 32kW

Fully modulating and highly efficient

Compatible with Multifit GasSaver

Compatible with Potterton Solar, Megafluo Eco Solar Cylinder and Santon Premier Plus Solar cylinder

Pre-plumbing jig

Flueing options of up to 20m

Optional stand off bracket

NOx 5 - best in class

Robust hydraulic connections

Optional Offset Elbow available for centre flueing

Benefits

A model for most sizes of property

Boiler intelligently uses the right amount of fuel to meet the set central heating temperature, saving money on fuel bills

Can give savings of up to 37% on gas for DHW

Greater fuel savings for hot water - all available from one manufacturer

Pipework can be pre-installed and the boiler added when the property is occupied

Allowing greater flexibility of siting

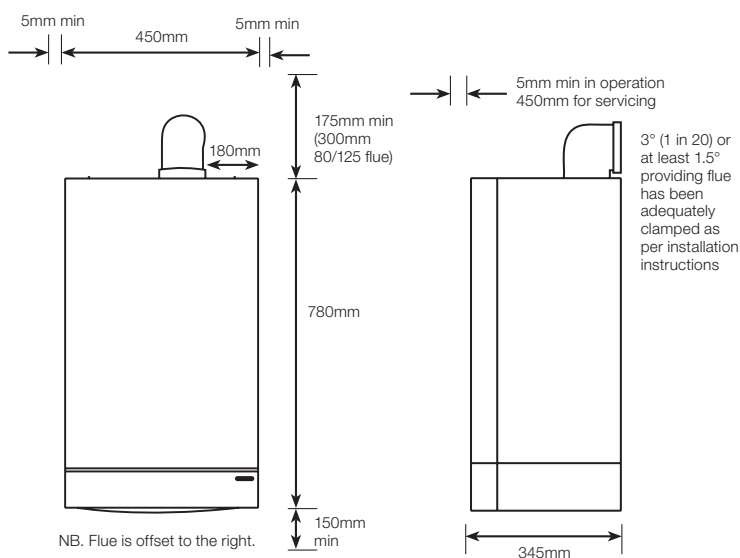
Allows pipes to be routed behind the boiler

Complies with the Code for Sustainable Homes

Quality and reliability

Allows replacement of boilers with a central flue without the need to drill a new hole

Dimensions



Andrew Stirling

Business Development Manager
Local Government. Amey

“We have used the Potterton Promax System and Combination boiler for a number of years, installing them on our Social Housing contracts.

The boilers are straight forward to fit with a good choice of flueing options available and the commissioning is easy.

We find the boilers extremely reliable and having been involved in fitting well over 9,000 boilers since 2009, the product has performed superbly over that time with very few mechanical issues to attend to.

The maintenance and servicing of the boiler is easily carried out and our engineers have no issues with them and on the rare occasions that spares are needed they are readily available through the supply chain.

We have found that the sales team in Scotland, Heat Team and the back office support to be extremely effective in their dealings with us and cannot commend them high enough.”

Technical information

The Potterton Promax System is compatible with Flue Group A, G and N

Potterton Promax System

	Units	12	15	18	24	32
Sales code (boiler only)		7219457	7219458	7219459	7219460	7219461

Controls

Concealed user controls		Yes	Yes	Yes	Yes	Yes
Operating mode selector switch with reset		Yes	Yes	Yes	Yes	Yes
User adjustable CH temperature		Yes	Yes	Yes	Yes	Yes
LED operating status display		Yes	Yes	Yes	Yes	Yes

Gas

Gas (natural gas/LPG)		NG	NG	NG	NG	NG
Inlet supply pressure	mbar	20	20	20	20	20
Maximum gas rate	m ³ /hr	1.31	1.69	1.95	2.61	3.48
Heat input central heating (CH)	kW max gross (QnHs)	13.8	17.1	20.5	27.4	36.4
	kW min gross (QnHs)	4.4	4.0	4.5	7.8	10.8
Heat output CH non-condensing	kW max (Pn)	12.4	15.4	18.5	24.7	32.8
	kW min (Pn)	3.9	3.9	4.2	6.8	9.4
Heat output CH condensing	kW max (Pnc)	13	16.2	19.4	25.9	34.4
	kW min (Pnc)	4.2	4.2	4.5	7.4	10.2
Boiler Plus ErP	%	92.0	92.0	92.0	92.0	92.0
SAP 2009/2012 annual efficiency (PCDB/SEDBUK)	%	89.0	89.0	89.0	89.0	89.0
NOx class		5	5	5	5	5

ErP product information

NOx	mg/kWh	15	25	29	20	24
Sound power level, indoors	L _{WA} dB	55	52	53	58	54
Space heating efficiency class		A	A	A	A	A
EcoHomes	Credits	3	3	3	3	3

Electrical

Electrical supply	Volts/Hz	230/50	230/50	230/50	230/50	230/50
Permanent live required		Yes	Yes	Yes	Yes	Yes
Power consumption	Watts	110	95	105	115	125
External fuse rating	Amps	3	3	3	3	3
Boiler IPX rating (electrical protection)		IPX5D	IPX5D	IPX5D	IPX5D	IPX5D
Integral 'boiler only' frost thermostat		Yes	Yes	Yes	Yes	Yes

	Units	12	15	18	24	32
Mechanical						
Wall mounting jig		Yes	Yes	Yes	Yes	Yes
Isolating valves		Yes	Yes	Yes	Yes	Yes
Gas supply connection	mm	22	22	22	22	22
Central heating connections	mm	22	22	22	22	22
Condensate drain connection	mm	21.5	21.5	21.5	21.5	21.5
Safety discharge connection	mm	15	15	15	15	15
Hydraulic						
Safety discharge pressure	bar	3	3	3	3	3
Integral automatic bypass		Yes	Yes	Yes	Yes	Yes
Integral expansion vessel	litres	8	8	8	8	8
Maximum capacity of CH system	litres	125	125	125	125	125
Compartment ventilation required		No	No	No	No	No
24hr pump exercise		Yes	Yes	Yes	Yes	Yes
Pump overrun		Yes	Yes	Yes	Yes	Yes
Concentric flue systems						
Concentric flue diameter	mm	60/100 and 80/125				
Standard horizontal flue kit length (ø 60/100)	mm	685	685	685	685	685
Maximum equivalent vertical length (ø 60/100)	m	10	10	10	10	10
Maximum equivalent vertical length (ø 80/125)	m	20	20	20	20	20
Maximum equivalent horizontal length (ø 60/100)	m	10	10	10	10	10
Maximum equivalent horizontal length (ø 80/125)	m	20	20	20	20	20
Twin flue system						
Twin pipe flue diameter	mm	80/80	80/80	80/80	80/80	80/80
Maximum equivalent vertical length	m	15	15	15	15	15
Maximum equivalent horizontal length	m	15	15	15	15	15
Weights						
Gross packaged boiler weight	kg	41.5	41.5	41.5	43	43.5
Maximum installation lift weight	kg	36.4	36.4	36.4	37.9	38.4



2
TWO
YEAR
WARRANTY



Ultra Heat

The Potterton Ultra Heat is, at only 19.5kg, the lightest boiler available on the UK market.** It has a central flue and does not need a pump overrun or permanent live, making it suitable as a replacement for old boilers.

**12kW to
24kW**

Outputs

19.5kg

Installer lift
weight

**270mm
deep**

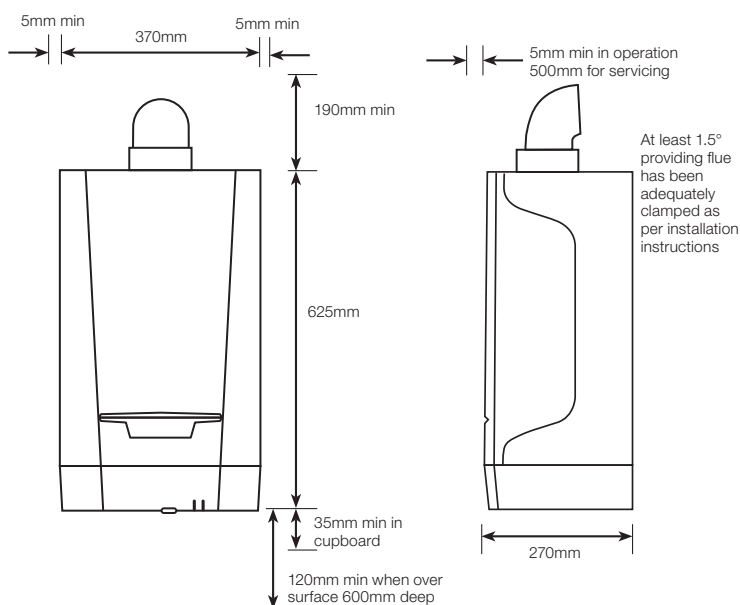
Cupboard fit

Features and benefits

Features	Benefits
Outputs: 12kW, 15kW, 18kW, 21kW, 24kW	To suit most property sizes
Only 19.5kg installer lift weight	The lightest boiler available in UK**
Cupboard fit	Can be installed discreetly
Easy fit wall mounting bracket	Robust with a positive fix and audible lock so you know it's secure
One metre lead included	Easy to install and you don't need access to the control box
Top central flue	Easy replacement for existing boilers
No pump overrun or permanent live required	Saves time and money during installation, and less disruption for the householder
Front and side access	Servicing is easier and quicker, and no special tools are required
Wide choice of flue lengths, bends and accessories	For versatile siting

** As at June 2014.

Dimensions



Daniel Stimp

"I found the Ultra Heat really easy to install and was surprised how lightweight it was. From an installation point of view, I would say it's a great product and I will continue to recommend it."

Technical information

The Ultra Heat is compatible with Flue Group A

Potterton Ultra Heat

	Units	12	15	18	21	24
Sales code (boiler only)		7668243	7668244	7668245	7668246	7668247

Controls

Reset button		Yes	Yes	Yes	Yes	Yes
Operating mode selector switch with reset		Yes	Yes	Yes	Yes	Yes
User adjustable CH temperature		Yes	Yes	Yes	Yes	Yes
LED temp/status/fault diagnosis display		Yes	Yes	Yes	Yes	Yes

Gas

Gas (natural gas/LPG)		NG	NG	NG	NG	NG
Inlet supply pressure	mbar	20	20	20	20	20
Maximum gas rate	m ³ /hr	1.42	1.75	2.07	2.73	3.27
Heat input central heating (CH)	kW max gross (QnHs)	14.88	18.32	21.75	28.62	34.35
	kW min gross (QnHs)	8.59	8.59	8.59	8.59	8.59
Heat output CH non-condensing	kW max (Pn)	13	16	19	25	30
	kW min (Pn)	7.5	7.5	7.5	7.5	7.5
Boiler Plus ErP	%	93.0	93.0	93.0	93.0	93.0
SAP 2009/2012 annual efficiency (PCDB/SEDBUK)	%	89.2	89.2	89.2	89.1	89.1
NOx class		5	5	5	5	5

ErP product information

NOx	mg/kWh	18	20	21	24	24
Sound power level, indoors	L _{WA} dB	32	33	34	37	37
Space heating efficiency class		A	A	A	A	A
Heat input CH	kW max gross (QnHs)	14.88	18.32	21.75	24.04	28.62
	kW min gross (QnHs)	8.59	8.59	8.59	8.59	8.59
Heat output CH (non condensing)	kW max (Pn)	13	16	19	21	25
	kW min (Pn)	7.5	7.5	7.5	7.5	7.5
Inlet supply pressure (natural gas)	mbar	20	20	20	20	20
Maximum gas rate	m ³ /hr	1.42	1.75	2.07	2.29	2.73

Electrical

Electrical supply	volts/Hz	230/50	230/50	230/50	230/50	230/50
Permanent live required		No	No	No	No	No
Switched live		Yes	Yes	Yes	Yes	Yes
Electrical power cable fitted as standard, 1m of 3 core		Yes	Yes	Yes	Yes	Yes
Power consumption	Watts	17	20	23	33	44
External fuse rating	Amps	3	3	3	3	3
Internal fuse rating		1.6T	1.6T	1.6T	1.6T	1.6T
Boiler IPX rating (electrical protection)	Approval category	IPX4D	IPX4D	IPX4D	IPX4D	IPX4D
Pump overrun		No	No	No	No	No

	Units	12	15	18	21	24
--	-------	----	----	----	----	----

Mechanical

Gas supply connection	inch	½	½	½	½	½
Central heating connections	mm	22	22	22	22	22
Condensate drain connection	inch	1.0	1.0	1.0	1.0	1.0
Upward piping route	mm	Yes	Yes	Yes	Yes	Yes
Flow / return pipe size	mm	22	22	22	22	22

Hydraulic

Compartment ventilation required	No	No	No	No	No	No
----------------------------------	----	----	----	----	----	----

Concentric flue systems

Standard telescopic concentric flue length	mm	315 - 500					
Horizontal concentric (60/100 mm)	Max equivalent length	m	6	6	6	6	6
	Reduction per 135° bend	m	0.5	0.5	0.5	0.5	0.5
	Reduction per 93° bend	m	1	1	1	1	1
Horizontal concentric (80/125 mm)	Max equivalent length	m	12	12	12	12	12

Plume displacement kit

Compatibility	✓	✓	✓	✓	✓	✓
---------------	---	---	---	---	---	---

Weights

Gross packaged boiler weight	kg	21.5	21.5	21.5	21.5	21.5
Maximum installation lift weight	kg	19.5	19.5	19.5	19.5	19.5



2
TWO
YEAR
WARRANTY

Promax Store



Designed to fit easily in a standard airing cupboard, the Potterton Promax Store is an integrated hot water storage and central heating boiler.

**Up to
150L store**

For high hot
water demand

Up to 20m

Flueing options

**Unique
roller system**

Easier to install

Features and benefits

Features

Available in 90, 115 or 150 litre stores

Fully modulating and highly efficient

Unique roller system

Built-in two stage frost protection

Flueing options of up to 20m

Fully pumped sealed system

Domestic hot water priority system

7 day digital
easy to use programmer

Benefits

Meets the most demanding hot water requirements

Boiler intelligently uses the right amount of fuel to meet the set central heating temperature, saving money on fuel bills

Easier to move and install

Can be installed in basements or garages

Allowing for greater boiler siting flexibility

No tanks in the loft required

Plenty of hot water, whenever you need it

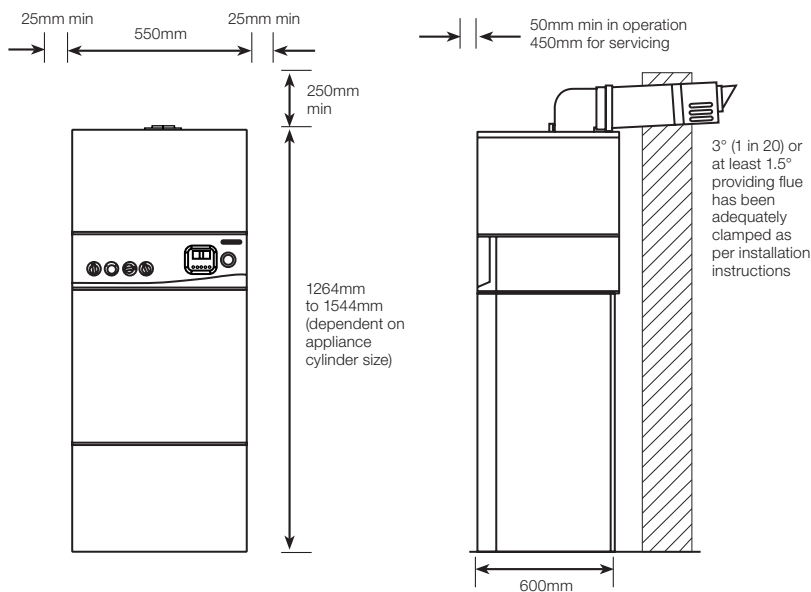
Factory fitted for quicker installation



Paul Wright
SPS

“Why do we choose Potterton boilers? Well there are lots of reasons but it all boils down to quality. Quality components that mean we can provide a 2 year warranty on our new build installations. Quality support with next day breakdown assistance. Quality build for quick and easy installation. All for a highly competitive price, that really is quality in my book.”

Dimensions



Technical information

The Potterton Promax Store is compatible with Flue Group A, G and N

Potterton Promax Store

	Units	90L	115L	150L
Sales code (boiler including cylinder)		7219463	7219465	7219466

Controls

Operating mode selector switch with reset		Yes	Yes	Yes
User adjustable DHW temperature		Yes	Yes	Yes
User adjustable CH temperature		Yes	Yes	Yes
LED operating status display		Yes	Yes	Yes
Integral 7 day twin channel timer		Yes	Yes	Yes

Gas

Gas (natural gas/LPG)		NG	NG	NG
Inlet supply pressure	mbar	20	20	20
Maximum gas rate	m ³ /hr	2.6	2.6	2.6
Heat input central heating (CH)	kW max gross (QnHs)	27.4	27.4	27.4
	kW min gross (QnHs)	7.8	7.8	7.8
Heat output CH non-condensing	kW max (Pn)	24	24	24
	kW min (Pn)	6.8	6.8	6.8
Heat output CH condensing	kW max (Pnc)	25.9	25.9	25.9
	kW min (Pnc)	7.6	7.6	7.6
Boiler Plus ErP	%	92.0	92.0	92.0
SAP 2009/2012 annual efficiency (PCDB/SEDBUK)	%	89.0	89.0	89.0
NOx class		5	5	5

ErP product information

NOx	mg/kWh	18	18	18
Sound power level, indoors	L _{WA} dB	57	57	57
Space heating efficiency class		A	A	A
Water heating declared load profile		XL	XL	XL
Water heating efficiency class		A	A	B
EcoHomes	Credits	3	3	3

Units	90L	115L	150L
-------	-----	------	------

Electrical

Electrical supply	volts/Hz	230/50	230/50	230/50
Permanent live required		Yes	Yes	Yes
Power consumption	watts	126	126	126
External fuse rating	amps	3	3	3
Boiler IPX rating (electrical protection)		3	3	3
Integral 'boiler only' frost thermostat		Yes	Yes	Yes
Back up immersion heater (optional)		Yes	Yes	Yes

Mechanical

Gas supply connection	mm	22	22	22
Central heating connections	mm	22	22	22
Condensate drain connection	mm	21.5	21.5	21.5

Hydraulic

Domestic hot water flow rate (max)	l/min	25	25	25
Safety discharge pressure	bar	3	3	3
Integral automatic bypass		Yes	Yes	Yes
Integral expansion vessel capacity	litres	12	12	12
Compartment ventilation required		No	No	No
24hr pump exercise		Yes	Yes	Yes
Pump overrun		Yes	Yes	Yes

Concentric flue systems

Concentric flue diameters	mm	60/100 and 80/125		
Standard horizontal flue kit length	mm	685	685	685
Maximum equivalent vertical length (ø 60/100)	m	10	10	10
Maximum equivalent vertical length (ø 80/125)	m	20	20	20
Maximum equivalent horizontal length (ø 60/100)	m	10	10	10
Maximum equivalent horizontal length (ø 80/125)	m	20	20	20

Twin flue system

Twin pipe flue diameter	mm	80/80	80/80	80/80
Maximum equivalent vertical length	m	15	15	15
Maximum equivalent horizontal length	m	15	15	15

Flue solutions

Our flue kits now come with positive screw fixings for all connections and are available in a choice of lengths to reduce the need for onsite cutting. By popular demand we offer a choice of colours for the terminals to match existing rainwater systems.

Maximum recommended flue lengths

Potterton Combi / System / Store	A (60/100 Concentric)	G (80/125 Concentric)	N (80/80 Twin Pipe)
Horizontal	10	20	15
Vertical	10	20	15
Potterton Heat	B (70/110 Concentric)	P (80/80 Twin Pipe)	
Horizontal	4	75	
Vertical	4	75	

Note - for more information on equivalent flue lengths when using flue bends, please refer to the relevant installation instruction.

Horizontal concentric flues Ø 60/100mm

MULTIFIT FLUE GROUP A

Item	Description (multifit) flue system	Colour	Specification	Key and OD dimensions	Sales code
1	Horizontal telescopic flue inc. low profile elbow and fixing screws	White pipe/ white terminal	315mm – 500mm	100mm	720599401
2	Horizontal telescopic flue inc. low profile elbow and fixing screws	White pipe/ black terminal	315mm – 500mm	100mm	720598701
3	Horizontal telescopic flue inc. Low profile elbow and fixing screws	White pipe/ brown terminal	315mm – 500mm	100mm	720642701
4	Standard horizontal flue inc. low profile elbow and fixing screws*	White pipe/ black terminal	685mm	100mm	7222019
5	Flue terminal deflector	White		60mm	720644201
6	Flue terminal deflector	Black		60mm	5111068
7	Flue terminal deflector	Brown		60mm	720644301
8	1m flue extension inc. fixing screws	White	1000mm	100mm	720648801
9	0.5m flue extension inc. fixing screws	White	500mm	100mm	720643001
10	0.25m flue extension inc. fixing screws	White	250mm	100mm	720643101
11	93° flue bend inc. fixing screws	White	93°	100mm	720648401
12	135° flue bend inc. fixing screws	White	135°	100mm	720648501
13	135° flue bend inc. fixing screws (pair)	White	135°	100mm	720647901
14	Offset adaptor elbow	White		100mm	720635501
15	Stainless steel terminal guard – Ø 60/100	S/S	Stainless steel	100mm	720627901

Plume displacement kits Ø 60/100mm

MULTIFIT FLUE GROUP A

Item	Description (multifit) flue system	Colour	Specification	Key and OD dimensions	Sales code
16	Plume displacement terminal kit inc. 1m extension and brackets**	White		60mm	720627001
17	Plume displacement kit extension and brackets	White	1000mm	60mm	720643401
18	Plume displacement kit bend	White	93°	60mm	5121369
19	Plume displacement kit bend – pair	White	135°	60mm	5121370
20	Plume displacement terminal kit inc. 1m extension and brackets***	Black		60mm	720622901
21	Plume displacement kit extension and brackets	Black	1000mm	60mm	720643301
22	Plume displacement kit bend	Black	93°	60mm	720648701
23	Plume displacement kit bend – pair	Black		60mm	720648601
	Plume displacement terminal guard (not shown)	Stainless Steel	100mm	60mm	720644601
24	Under balcony eaves flue kit	White		60mm	7211039
25	Under balcony eaves flue kit	Black		60mm	7211041

Vertical concentric flues Ø 60/100mm

MULTIFIT FLUE GROUP A

Note - this flue group is ONLY suitable for combi and system appliances

Item	Description (multifit) flue system	Colour	Specification	Key and OD dimensions	Sales code
26	Vertical ridge flue terminal	Brown		100mm	720647101
27	Vertical flue terminal	Black		100mm	5118576
28	Roof cover plate			125mm	246143
8	1m flue extension inc. fixing screws	White	1000mm	100mm	720648801
9	0.5m flue extension inc. fixing screws	White	500mm	100mm	720643001
10	0.25m flue extension inc. fixing screws	White	250mm	100mm	720643101
11	93° flue bend inc. fixing screws	White	93°	100mm	720648401
12	135° flue bend inc. fixing screws	White	135°	100mm	720648501
13	135° flue bend (pair) inc. fixing screws	White	135°	100mm	720647901
29	Pitched roof flashing		25°/50°	125mm	5122151
30	Flat roof flashing			125mm	246144



Flue solutions

Horizontal concentric flues Ø 80/125mm

MULTIFIT FLUE GROUP G

Item	Description (multifit) flue system	Colour	Specification	Key and OD dimensions	Sales code
31	Horizontal flue inc. boiler and terminal adaptors	Black		125mm	5118580
32	1m flue extension	White	1000mm	125mm	5118584
33	Flue bend	White	91.5°	125mm	5118588
34	Flue bend (pair)	White	135°	125mm	5118597
35	Pipe support bracket	White	125mm flue pipe	125mm	5118610

Vertical concentric flues Ø 80/125mm

MULTIFIT FLUE GROUP G

Item	Description (multifit) flue system	Colour	Specification	Key and OD dimensions	Sales code
36	Vertical flue terminal	Black		125mm	5111078
32	1m flue extension	White	1000mm	125mm	5118584
33	Flue bend	White	91.5°	125mm	5118588
34	Flue bend (pair)	White	135°	125mm	5118597
28	Roof cover plate			125mm	246143
37	Flue vertical adaptor	White		100/125mm	5111070
29	Pitched roof flashing		25°/55°	125mm	5122151
30	Flat roof flashing			125mm	246144
35	Pipe support bracket	White	125mm flue pipe	125mm	5118610



Twin pipe flues 80/80mm

MULTIFIT FLUE GROUP N

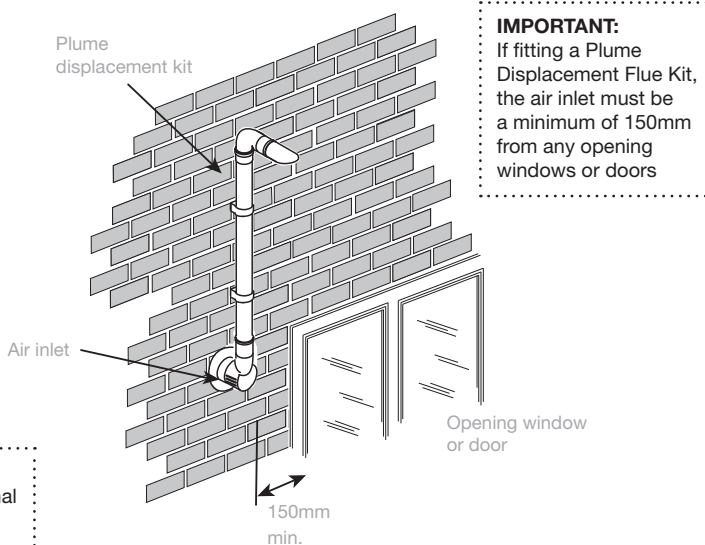
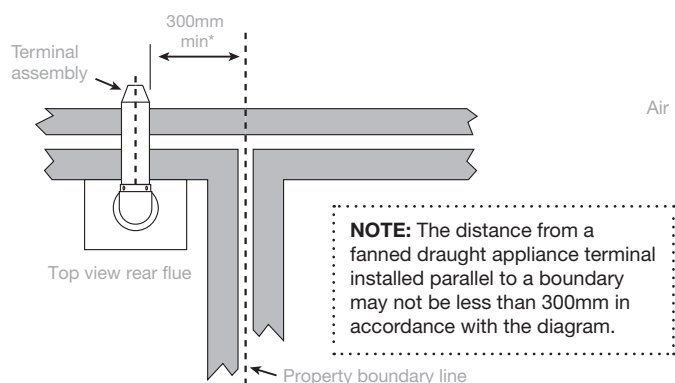
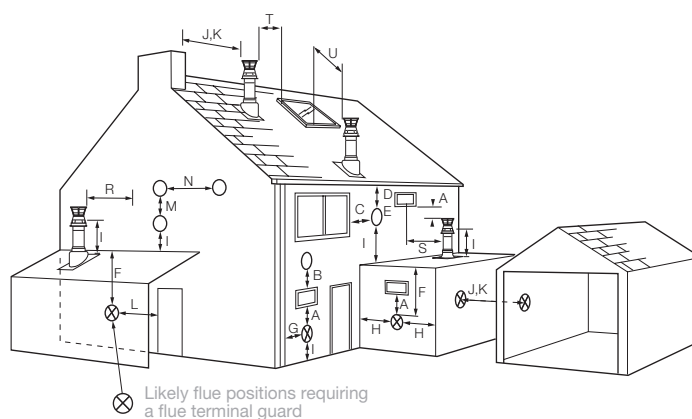
Note - this flue group is ONLY suitable for combi and system appliances

Item	Description (multifit) flue system	Colour	Specification	Key and OD dimensions	Sales code
36	Vertical flue terminal	Black		125mm	5111078
38	Twin pipe extension (pair inc. Brackets)	White	1000mm	80mm	5111087
39	Twin pipe flue bend (pair)	White	90°	80mm	5111072
40	Twin pipe flue bend (pair)	White	135°	80mm	5111086
28	Roof cover plate			125mm	246143
41	Twin pipe flue horizontal terminal kit (air and exhaust)	Stainless steel		80mm	5120172
42	Twin pipe flue adaptor (boiler)	White		80/80mm	720089801
43	Twin pipe support (pair)	White		80mm	5111081
44	Twin to concentric adaptor 80/80 - 80/125	White		80/125mm	5111084
29	Pitched roof flashing		25°/50°	125mm	5122151
30	Flat roof flashing			125mm	246144
45	Pitch roof flue terminal	Black	25°/50°	60mm	720576301
46	Pitched roof terminal adaptor kit	White		60-80mm	5121792
47	Single flue terminal (air only)			80mm	5121791

Terminal position with minimum distance

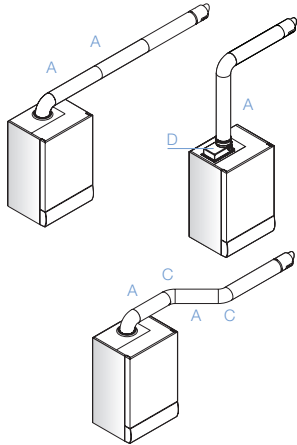
	(mm)
A ¹ Directly below an opening, air brick, opening windows etc	300
B ¹ Above an opening, air brick, opening window etc	300
C ¹ Horizontally to an opening, air brick, opening window etc	300
D ² Below gutters, soil pipes or drain pipes	25
E ² Below eaves	25
F ² Below balconies or car port roof	25
G ² From a vertical drain pipe or soil pipe	25
H ² From an internal or external corner	25
I Above ground, roof or balcony level	300
J From a surface or boundary line facing a terminal	600
K From a terminal facing a terminal (Horizontal flue)	1200
K From a terminal facing a terminal (Vertical flue)	600
L From an opening in a carport (e.g. door, window) into the dwelling	1200
M Vertically from a terminal on the same wall	1500
N Horizontally from a terminal on the same wall	300
R From adjacent wall to flue (vertical only)	300
S From an adjacent opening window (vertical only)	300
T Adjacent to windows or openings on pitched and flat roofs	600
U Below windows or openings on pitched roofs	2000

- In addition, the terminal should be no nearer than 150mm to an opening in the building fabric formed for the purpose of accommodating a built-in element such as a window frame.
- Only ONE 25mm clearance is allowed per installation. If one of the dimensions D, E, F, G or H is 25mm then the remainder MUST be as B.S.5440-1.



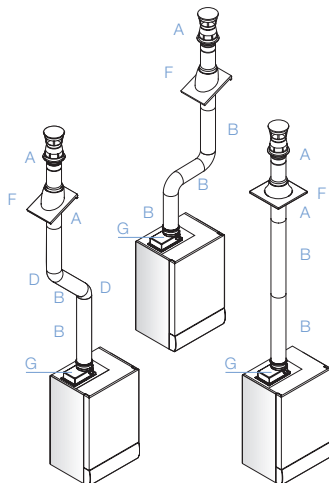
*This can be reduced to 25mm by using item 6/7/8 flue deflector.

Horizontal concentric flues 70/110mm – Flue Group B



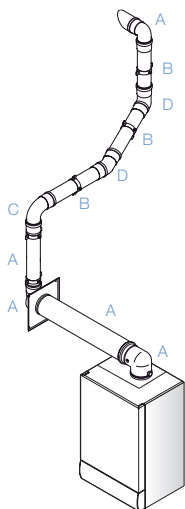
Item description (Multifit) flue system B	Specification	Key & OD dimensions	Multifit sales code
Standard horizontal flue inc elbow	850mm	110mm	236921
Horizontal flue/wall terminal	850mm	110mm	243013BAX
A Flue extension	1000mm	110mm	241695
A Flue extension	500mm	110mm	241694
A Flue extension	250mm	110mm	241692
B Flue bend	90°	110mm	241687
C Flue bend (pair)	135°	110mm	241689
Flue terminal deflector		70mm	248167
D Vertical flue adaptor (boiler)		110mm	5106888
Pipe support	Painted white	110mm	243014BAX

Vertical concentric flues 70/110mm – Flue Group B



Item description (Multifit) flue system B	Specification	Key & OD dimensions	Multifit sales code
A Vertical roof terminal		110mm	242802
B Flue extension	1000mm	110mm	241695
B Flue extension	500mm	110mm	241694
B Flue extension	250mm	110mm	241692
C Flue bend	90°	110mm	241687
D Flue bend (pair)	135°	110mm	241689
Roof cover plate			243131
Pipe support	Painted white	110mm	243014BAX
E Flat roof flashing			243016BAX
F Pitched roof flashing	25/50°		243015
G Vertical flue adaptor (boiler)		110mm	5106888

Plume displacement 70/110mm concentric to 70mm PDK – Flue Group L



Item description (Multifit) flue system L	Specification	Key & OD dimensions	Multifit sales code
A Plume displacement kit inc elbow and clips		110mm	5121371
B Plume displacement kit extension inc clip	1000mm	70mm	5121372
C Plume displacement kit bend	93°	70mm	5121373
D Plume displacement kit bend (pair)	135°	70mm	5121374

Controls and accessories compatibility

Product	Sales code	Compatibility				
		Combi	Ultra	System	Ultra Heat	Store
24hr digital timer and fascia kit	720645201		●			
Integral 24hr electro-mechanical timer	247206	●				
Integral 7 day electronic	247207	●				
EP1 programmer	7211472			●		
EP2 programmer	7211473			●		
Single channel wireless programmable room thermostat	5117392	●				
Programmable 7 day wireless sensor (2 channel)	720644801		●			
Programmable 24hr wireless sensor (single channel)	720644901		●			
Twin Channel Wired Programmer	7212443				●	
Room Thermostat	720971601				●	
Potterton RF digital 7 day programmable roomset (wireless)	720030601	●	●			
Multifit Outdoor Sensor Kit	720330001	●	●			
Promax System Outdoor Sensor Kit	7225851			●		
Filling loop kit	248221	●		●		
Ultra Stand off kit (facilitates vertical pipe runs behind boiler)	720648101		●			
Stand off kit (facilitates vertical pipe runs behind boiler)	5117035	●		●		
Multifit gas saver (natural gas)	720056901	●	●	●		
Multifit (gas saver) expansion vessel kit	720066401	●	●	●		
Gas saver - stand off kit	720079701	●	●	●		
Multifit condensate trace heating kit 1m	72644401	●	●	●		●
Multifit condensate trace heating kit 2m	72664101	●	●	●		●
Multifit condensate trace heating kit 3m	720664201	●	●	●		●
Multifit condensate trace heating kit 5m	720664401	●	●	●		●
Multifit external boiler discharge pump (prv and condensate)	720648301	●	●	●		●
Terminal guard Ø 60/100	720627901	●	●	●		●
Stainless steel PDK guard Ø 60/100 - air intake S/S	720644601	●	●	●		●

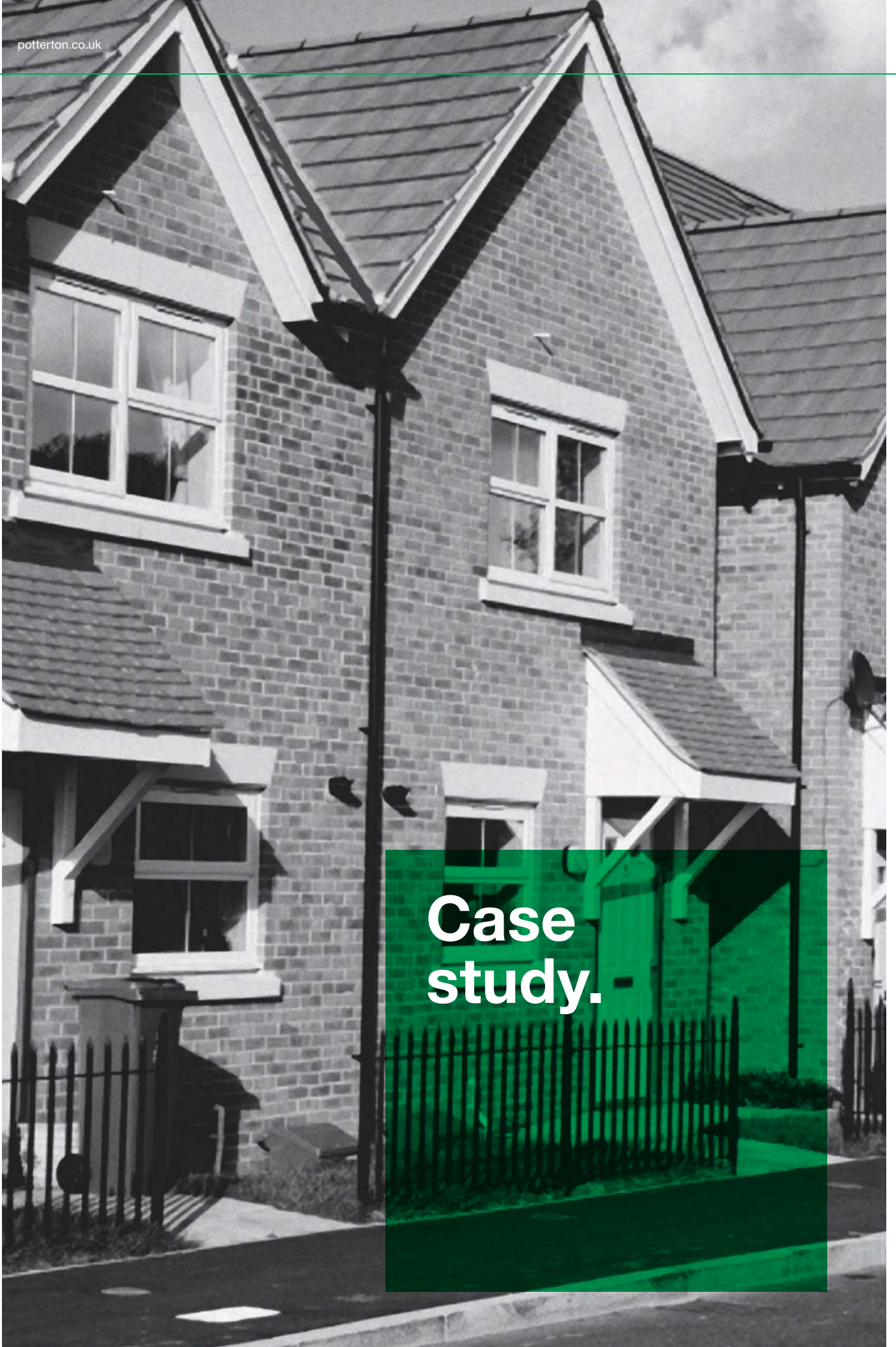
Optional accessories and controls

Electro-mechanical timer 247206 	Programmable 24hr wireless sensor 720644901 	Electronic timer 247207 
Programmable 7 day wireless sensor 720644801 	Wireless timer room thermostat 5117392 	Wired weather sensor kit 720030001 
Wireless digital timer room thermostat 720030601 	Multifit GasSaver 720056901 	24hr digital timer and fascia kit 720645201 

Note

i) Heatsaver (720721001) is compatible with Promax Combi 24, 28 & 33kW models only

ii) Potterton RF Digital 7 day programmable roomstat (wireless) 720030601 is compatible with Promax Combi 24, 28 & 33kW models only



Case study.

Potterton Promax is boiler of choice for Doncaster Social Housing overhaul

As part of a complete refurbishment of social housing in Doncaster, St Leger Homes was looking for a strategic partner to help it cost-effectively install new heating systems in thousands of council-owned properties.

Potterton was able to deliver a value-for-money solution to St Leger Homes which simplified installation, repair and maintenance and supported them with market leading aftersales care from its award-winning service division.

St Leger Homes has installed almost 4,000 Potterton Promax Combi boilers in the last three years. They have replaced ageing combi boilers, like for like, and they have also been used to replace back boilers.

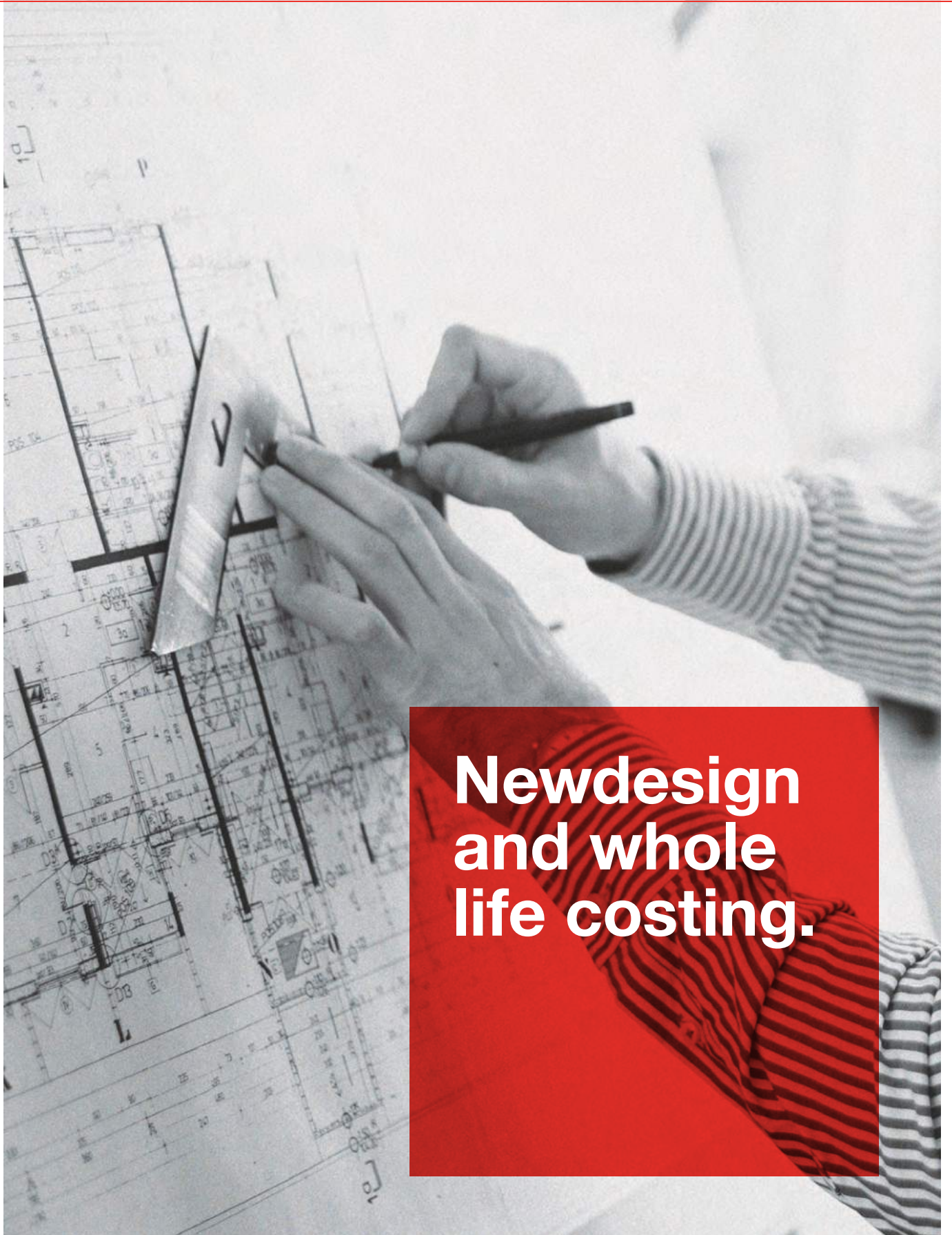
David Norman, Mechanical and Electrical Manager at St Leger Homes said:

"We look after 21,000 homes in the Doncaster area, and as part of the Decent Homes refurbishment scheme, a large number of these properties required improvements to their heating system. With the volume of units involved and the associated installation costs to fit each one, we needed a strategic partner who would be able to offer value for money as well as help us get the boilers installed quickly and efficiently.

To really cement the strategic partnership, Potterton has excelled in its aftersales care and support for us. Our installers were given free technical training to ensure each boiler that goes into one of our properties works at its best and that tenants are given the right information about how to use their new heating system to reduce their energy bills. We have also been given direct access to the company's Customer Support team. This is really important for us as we have target times to respond to maintenance issues, so if there's a boiler fault that requires an engineer and it's under warranty, we can call before 3pm and get someone out the next day - guaranteed."

Bill Jones, Sales Director, Potterton, said:

"Our partnership with St Leger Homes really shows off our strengths in the social housing market. We have reliable products, at the right price, all backed up with a service that leads the industry and makes our customers feel valued and supported. It's about making life easier for specifiers, service providers and tenants alike."



**Newdesign
and whole
life costing.**



Newdesign

Our Newdesign team provides a full heating system design service for residential developments that incorporate our heating and hot water products.

Design layouts are generated using the latest computer software and can be issued in either hard copy or electronic format.

Newdesign is able to work with SAP assessors and other technical parties to help you meet your carbon or energy targets.

Benefits at a glance

- Full heating system design service
- Available free of charge to Potterton and Heatrae Sadia customers
- Bespoke service tailored to each individual development
- Newdesign works with SAP assessors
- All system designs fully indemnified
- Database of over 40,000 house type designs

Whole life costing

It pays to plan ahead. Our whole life costing model helps you to analyse all the costs and revenues associated with installing a Potterton boiler. Then you can set accurate, realistic budgets for its operation, maintenance and repair.

Talk to your local representative for more information

Support you can depend on

Potterton is part of Baxi, meaning it benefits from our extensive customer support services. Whatever you need, our expert support is never more than a phone call away.



Customer support

We will provide expert support, whenever you need it, from the very start of your project, through installation and commissioning, and then for the lifetime of the boilers.

Dedicated, knowledgeable specification and new build teams

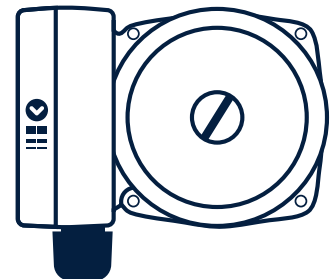
UK customer contact centre and a nationwide network of Gas Safe registered engineers

Technical helpline provides expert technical support and advice

Call: 0344 871 1545

Opening hours

Monday – Friday, 8.00am – 6.00pm
Weekends and bank holidays,
8.30am – 2.00pm
We are closed on Christmas Day
and New Year's Day.



Genuine parts

Baxi Genuine Parts offers an extensive range of components, consumables, safety devices and tools.

We can provide everything you need for installation, maintenance and annual servicing.

Available through a nationwide network of approved stockists

Lifetime support for Potterton products

Parts available for 10 years after manufacture of boilers ceases

Find a genuine part or your nearest stockist: www.baxigenuineparts.co.uk



Training

We run courses at training centres throughout the UK. Our expert trainers will tailor the courses to suit your individual requirements, so you can install, service and maintain Potterton boilers with confidence.

Free of charge hands-on product training

Expert trainers, all accredited, experienced former heating engineers

Training centres across the UK

On-site training and support can be arranged

To book your place on a Potterton training course call:
0845 600 7401

Carbon Monoxide

Safety is our highest priority, so we recommend the use of an audible carbon monoxide alarm whenever a boiler, or other carbon burning appliance, is installed.

Make sure it is marked with British Standard EN 50291 and the Kitemark

Fitting a carbon monoxide alarm is not a substitute for an annual service

Brooks House
Coventry Road
Warwick
CV34 4LL

sales 0344 871 1560
email info@potterton.co.uk
web potterton.co.uk

Baxi policy is one of continual improvement and development. The right to change specification and appearance without prior notice is reserved. The reproduction of colours is as accurate as photographic and printing processes allow. The consumer's statutory rights are not affected. e&oe

part of **BAXI**



PRG_ISSUE1_03/18

POTTERTON

Totally dependable.