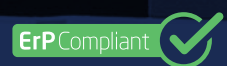


Potterton Ultra Heat

High efficiency boilers



Totally dependable.

POTTERTON

Potterton Ultra Heat

The Potterton Ultra Heat is, at only 19.5kg, the lightest boiler available on the UK market.* It has a central flue and does not need a pump overrun or permanent live, making it suitable as a replacement for old boilers.

Small enough to fit into a cupboard, the Potterton Ultra Heat has contemporary style that will also fit with any modern interior.

A
Efficiency Rating



Potterton Ultra Heat



A efficiency rating

19.5kg installer lift weight

Positive fix wall mounting plate

Cupboard fit

No pump overrun

Front and side access

Feature

Benefits

2 Year Warranty*

For peace of mind

Outputs: 12kW, 15kW, 18kW, 21kW, 24kW

To suit most property sizes

Only 19.5kg installer lift weight

The lightest boiler available in UK**

Cupboard fit

Can be installed discreetly

Easy fit wall mounting bracket

Robust with a positive fix and audible lock so you know it's secure

One metre lead included

Easy to install and you don't need access to the control box

Top central flue

Easy replacement for existing boilers

No pump overrun or permanent live required

Saves time and money during installation, and less disruption for the householder

Front and side access

Servicing is easier and quicker, and no special tools are required

Wide choice of flue lengths, bends and accessories

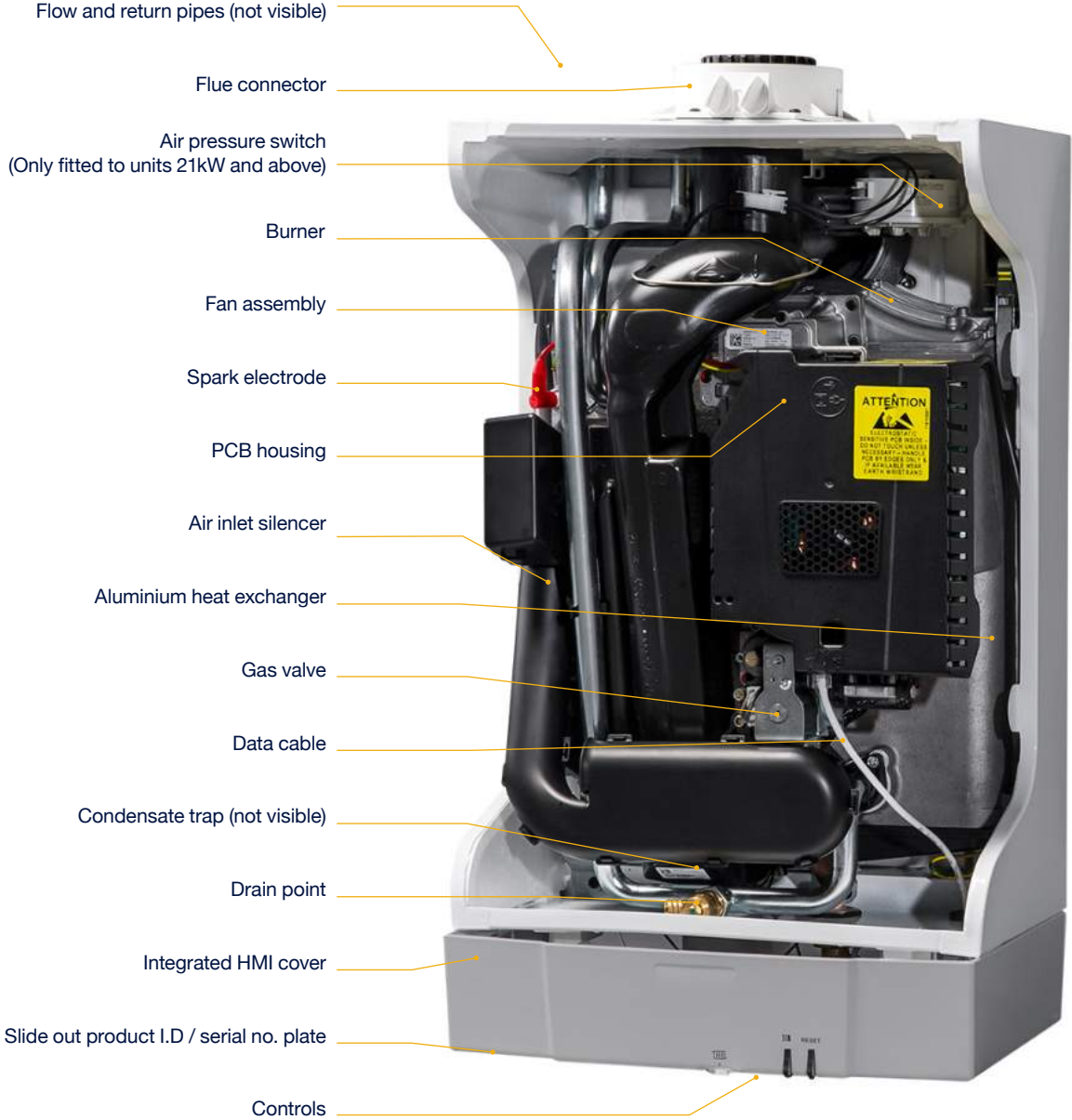
For versatile siting

* Terms and conditions apply. Visit baxi.co.uk/warranty

** As at June 2014.

What's inside the boiler?

Potterton Ultra Heat



Technical details

Potterton Ultra Heat		12 Heat	15 Heat	18 Heat	21 Heat	24 Heat
Sales code	Boiler only	7668243	7668244	7668245	7668246	7668247
Controls						
Operating mode selector switch with reset	Yes / no	✓	✓	✓	✓	✓
User adjustable CH temperature	30°C to 80°C	✓	✓	✓	✓	✓
LED temp/status/fault diagnosis display	Yes / no	✓	✓	✓	✓	✓
Gas						
SAP 2009 annual efficiency (PCDB/ SEDBUK)	%	89.2	89.2	89.2	89.1	89.1
NOx class (5 being the lowest)	1 - 5	5	5	5	5	5
ErP Product Information						
NOx	mg/kWh	18	20	21	24	24
Sound power level, indoors	LWA dB	32	33	34	37	37
Space heating efficiency class		A	A	A	A	A
Heat input CH	kW max gross (QnHs)	14.88	18.32	21.75	28.62	34.35
	kW min gross (QnHs)	8.59	8.59	8.59	8.59	8.59
Heat output CH (non condensing)	kW max (Pn)	13	16	19	25	30
	kW min (Pn)	7.5	7.5	7.5	7.5	7.5
Gas supply pipe size	(mm)	22	22	22	22	22
Inlet supply pressure (natural gas)	mbar	20	20	20	20	20
Maximum gas rate	m3/hr	1.42	1.75	2.07	2.73	3.27
Mechanical and hydraulic						
Compartment ventilation required	Yes / no	✗	✗	✗	✗	✗
Flow / return pipe size	(mm)	22	22	22	22	22
Condensate discharge pipe size	(mm)	21.50	21.50	21.50	21.50	21.50
Electrical						
Electrical supply	Volts / Hz	230V / 50Hz	230V / 50Hz	230V / 50Hz	230V / 50Hz	230V / 50Hz
Permanent live required	Yes / no	✗	✗	✗	✗	✗
Switched live	Yes / no	✓	✓	✓	✓	✓
Electrical power cable fitted as standard	1m of 3 core	✓	✓	✓	✓	✓
Power consumption	Watts	17	20	23	33	44
External fuse rating	Amps	3	3	3	3	3
Internal fuse rating		1.6T	1.6T	1.6T	1.6T	1.6T
Boiler IP rating (electrical protection)	Approval category	IPX4D	IPX4D	IPX4D	IPX4D	IPX4D
Pump overrun	Yes / no	✗	✗	✗	✗	✗
Concentric flue system						
Standard telescopic concentric flue	Length in mm	315-500	315-500	315-500	315-500	315-500
Horizontal concentric (60/100 mm)	Max equivalent length (m)	6	6	6	6	6
	Reduction per 135° bend (m)	0.5	0.5	0.5	0.5	0.5
	Reduction per 93° bend (m)	1	1	1	1	1
Horizontal concentric (80/125 mm)	Max equivalent length (m)	12	12	12	12	12
Twin pipe flue system						
Horizontal twin tube (80/80 mm)	Max equivalent length (both tubes in parallel) (m)	9	9	9	9	9
	Reduction per 135° bend (m)	0.25	0.25	0.25	0.25	0.25
	Reduction per 93° bend (m)	0.5	0.5	0.5	0.5	0.5
Weight						
Installer lift weight	Max (kg)	19.5	19.5	19.5	19.5	19.5
Gross packaged boiler weight	(kg)	21.5	21.5	21.5	21.5	21.5

Technical specifications

Boiler dimensions

Width [A]	Height [B]	Depth [C]
370mm	625mm	270mm

Service clearances

Side [D]	Upper [E]	Lower [F]	Front [G]
5mm*	190mm*	120mm*	5mm*
		35mm* in 300mm deep wall cupboard	in operation, 500mm* for servicing

These are the minimum recommended dimensions. Greater clearance will aid installation and maintenance.

What's in the box?



Potterton
Ultra Heat Boiler



Wall bracket



Literature pack



Power lead
(attached
to unit)



Copper tail (gas
connection) and
fibre washer



Flues

Horizontal concentric flues Ø 60/100mm

Multifit Flue Group A

Item description	Colour	Specification	Key and OD dimensions	Sales code
1 Horizontal telescopic flue inc. low profile elbow and fixing screws	White pipe/white terminal	315mm – 500mm	100mm	720599401
2 Horizontal telescopic flue inc. low profile elbow and fixing screws	White pipe/black terminal	315mm – 500mm	100mm	720598701
3 1m flue extension inc. fixing screws	White	1000mm	100mm	720648801
4 93° flue bend inc. fixing screws	White	93°	100mm	720648401
5 135° flue bend inc. fixing screws (pair)	White	135°	100mm	720647901
6 Standard horizontal flue inc. low profile elbow and fixing screws	White pipe/black terminal	685mm	100mm	7222019

Plume displacement kits Ø 60/100mm

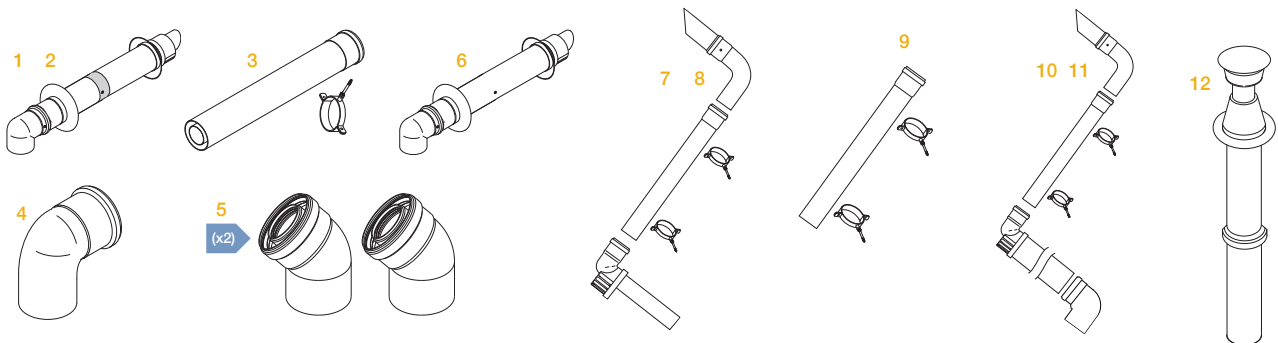
Multifit Flue Group A

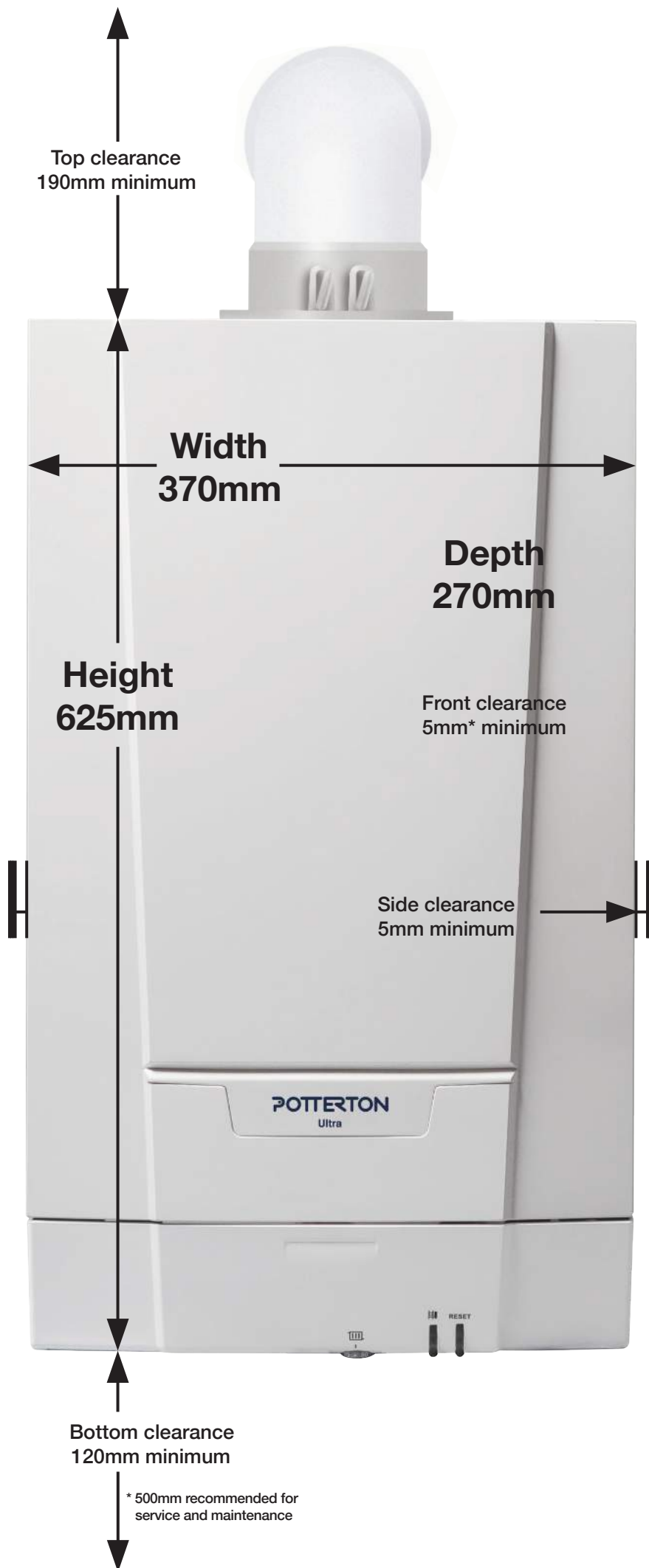
Item description	Colour	Specification	Key and OD dimensions	Sales code
7 Plume displacement terminal kit for telescopic flue inc 1m extension and brackets	White		60mm	720627001
8 Plume displacement terminal kit for telescopic flue inc 1m extension and brackets	Black		60mm	720622901
9 Plume displacement kit extension and brackets	White	1000mm	60mm	720643401
10 Plume displacement terminal kit inc. 1m extension and brackets	White		60mm	7225717
11 Plume displacement terminal kit inc. 1m extension and brackets	Black		60mm	7225716

Vertical concentric flues Ø 60/100mm

Multifit Flue Group A

Item description	Colour	Specification	Key and OD dimensions	Sales code
12 Vertical flue terminal	Black		100mm	5118576
3 1m flue extension inc. fixing screws	White	1000mm	100mm	720648801
4 93° flue bend inc. fixing screws	White	93°	100mm	720648401
5 135° flue bend inc. fixing screws (pair)	White	135°	100mm	720647901







Have you checked?

- Length of flue
- Top or rear flue
- Flue deflector required
- Terminal position
- Plume kit required
- Boiler footprint and clearances

Brooks House
Coventry Road
Warwick
CV34 4LL

Customer support
0344 871 1545

www.potterton.co.uk



This brochure is printed on paper sourced from well managed forests and other controlled sources. This brochure is printed using vegetable based inks. Please recycle this brochure when you have finished with it.

Baxi policy is one of continual improvement and development. The right to change specification and appearance without prior notice is reserved. The reproduction of colours is as accurate as photographic and printing processes allow. The consumer's statutory rights are not affected. e&oe

part of **BAXI**