



Installation, user and service manual
High-efficiency wall-hung gas boiler

Quinta Ace
160

Dear Customer,

Thank you very much for buying this appliance.

Please read through the manual carefully before using the product, and keep it in a safe place for later reference. In order to ensure continued safe and efficient operation we recommend that the product is serviced regularly. Our service and customer service organisation can assist with this.

We hope you enjoy years of problem-free operation with the product.

Contents

1	Safety	6
1.1	General safety instructions	6
1.2	Recommendations	8
1.3	Specific safety instructions	9
1.3.1	Additional guidelines	9
1.4	Liabilities	10
1.4.1	Manufacturer's liability	10
1.4.2	Installer's liability	10
1.4.3	User's liability	10
2	About this manual	11
2.1	General	11
2.2	Additional documentation	11
2.3	Symbols used	11
2.3.1	Symbols used in the manual	11
2.4	Abbreviations	11
3	Technical specifications	12
3.1	Homologations	12
3.1.1	Certifications	12
3.1.2	Unit categories	12
3.1.3	Directives	12
3.1.4	Factory test	12
3.2	Technical data	12
3.3	Dimensions and connections	15
3.4	Electrical diagram	16
4	Description of the product	17
4.1	General description	17
4.2	Operating principle	17
4.2.1	Gas/air regulation	17
4.2.2	Combustion	17
4.2.3	Control system	17
4.2.4	Control	18
4.2.5	Regulating the water temperature	18
4.2.6	Protection against shortage of water	18
4.2.7	Water flow	18
4.2.8	Hydraulic pressure sensor	18
4.2.9	Air pressure differential switch	18
4.2.10	Circulating pump	19
4.2.11	Calorifier connection	19
4.2.12	Cascade system	19
4.3	Main components	19
4.4	Control panel description	19
4.5	Standard delivery	20
4.6	Accessories and options	20
5	Before installation	21
5.1	Installation regulations	21
5.2	Lifting instruction	21
5.3	Choice of the location	21
5.3.1	Type plate	21
5.3.2	Location of the boiler	22
5.4	Transport	22
5.5	Unpacking & initial preparation	23
6	Installation	24
6.1	General	24
6.2	Preparation	24
6.2.1	Positioning the boiler	24
6.3	Hydraulic connections	24
6.3.1	Rinsing the system	24
6.3.2	Connecting the heating circuit	25
6.3.3	Connecting the expansion vessel	25

6.3.4	Connecting the condensate drain pipe	26
6.4	Gas connection	26
6.5	Air supply/flue gas connections	26
6.5.1	Classification	27
6.5.2	Outlets	28
6.5.3	Material	28
6.5.4	Length of the air and flue gas pipes	29
6.5.5	Specific air and flue gas applications	31
6.5.6	Additional guidelines	31
6.5.7	Connecting the flue gas outlet and air supply	31
6.6	Electrical connections	32
6.6.1	Recommendations	32
6.6.2	Control unit	32
6.6.3	Assembly of the control panel	33
6.6.4	Connecting the connection box	34
6.6.5	Connection options for the standard PCB	35
6.7	Connecting a PC/laptop	38
6.8	Filling the installation	38
6.8.1	Water treatment	38
6.8.2	Filling the siphon	39
6.8.3	Filling the system	39
7	Commissioning	40
7.1	Checklist before commissioning	40
7.1.1	Preparing the boiler for commissioning	40
7.1.2	Gas circuit	40
7.1.3	Hydraulic circuit	40
7.1.4	Electrical connections	40
7.2	Commissioning procedure	40
7.3	Gas settings	41
7.3.1	Adjusting to a different gas type	41
7.3.2	Checking/setting combustion	41
7.4	Final instructions	43
8	Operation	44
8.1	Use of the control panel	44
8.2	Shutdown	44
8.3	Frost protection	44
9	Settings	45
9.1	Description of the user level parameters	45
9.2	Description of the installer level parameters	45
9.3	Changing the parameters	48
9.4	Reading out measured values	49
9.4.1	Reading out current values (counters)	49
9.4.2	Reading out current values (signals)	49
9.4.3	Status and sub-status	51
10	Maintenance	55
10.1	General	55
10.2	Maintenance message	55
10.2.1	Resetting the service messages	55
10.2.2	Starting a new service interval	56
10.3	Standard inspection and maintenance operations	56
10.3.1	Checking the water pressure	56
10.3.2	Checking the water quality	56
10.3.3	Checking the ionisation current	57
10.3.4	Checking the flue gas discharge/air supply connections	57
10.3.5	Checking the combustion	57
10.3.6	Checking the PS air pressure differential switch	58
10.3.7	Checking the automatic air vent	59
10.3.8	Checking the burner and cleaning the heat exchanger	60
10.3.9	Clean the condensate collector	61
10.3.10	Cleaning the siphon	61
10.4	Specific maintenance work	61
10.4.1	Replacing the ionisation/ignition electrode	62

10.4.2	Checking the non-return valve	62
10.4.3	Reassembling the boiler	63
11	Disposal	64
11.1	Removal/recycling	64
12	Troubleshooting	65
12.1	Error codes	65
12.1.1	Warning	65
12.1.2	Blocking	65
12.1.3	Lock-out	68
12.2	Error memory	72
13	Spare parts	73
13.1	General	73
13.2	Parts	74
14	Appendix	75
14.1	ErP information	75
14.1.1	Product fiche	75
14.2	EC declaration of conformity	75
14.3	Checklist for commissioning	76
14.4	Checklist for annual maintenance	77

1 Safety

1.1 General safety instructions

For the installer:



Danger

If you smell gas:

1. Do not use naked flames, do not smoke and do not operate electrical contacts or switches (doorbell, lighting, motor, lift etc).
2. Shut off the gas supply.
3. Open the windows.
4. Trace possible leaks and seal them off immediately.
5. If the leak is upstream of the gas meter, notify the gas company.



Danger

If you smell flue gases:

1. Switch the boiler off.
2. Open the windows.
3. Trace possible leaks and seal them off immediately.



Caution

After maintenance or repair work, check the entire heating installation to ensure that there are no leaks.

For the end user:

**Danger**

If you smell gas:

1. Do not use naked flames, do not smoke and do not operate electrical contacts or switches (doorbell, lighting, motor, lift etc).
2. Shut off the gas supply.
3. Open the windows.
4. Report any leaks immediately.
5. Evacuate the property.
6. Contact a qualified installer.

**Danger**

If you smell flue gases:

1. Switch the boiler off.
2. Open the windows.
3. Report any leaks immediately.
4. Evacuate the property.
5. Contact a qualified installer.

**Warning**

Do not touch the flue gas pipes. Depending on the boiler settings, the temperature of the flue gas pipes can rise to over 60°C.

**Warning**

Do not touch radiators for long periods. Depending on the boiler settings, the temperature of the radiators can rise to over 60°C.

**Warning**

The use of the boiler and the installation by you as the end-user must be limited to the operations described in this manual. All other actions may only be undertaken by a qualified fitter/engineer.

**Caution**

Ensure that the boiler is regularly serviced. Contact a qualified installer or arrange a maintenance contract for the servicing of the boiler.

**Caution**

Only genuine spare parts may be used.

**Important**

Regularly check for the presence of water and pressure in the heating installation.

1.2 Recommendations



Danger

This appliance can be used by children aged eight and above and people with a physical, sensory or mental disability, or with a lack of experience and knowledge, provided they are supervised and instructed in how to use the appliance in a safe manner and understand the associated dangers. Children must not be allowed to play with the appliance. Cleaning and user maintenance should not be carried out by children without adult supervision.



Warning

Installation and maintenance of the boiler must be carried out by a qualified installer in accordance with local and national regulations.



Warning

The installation and maintenance of the boiler must be undertaken by a qualified installer in accordance with the information in the supplied manual, doing otherwise may result in dangerous situations and/or bodily injury.



Warning

Removal and disposal of the boiler must be carried out by a qualified installer in accordance with local and national regulations.



Warning

If the mains lead is damaged, it must be replaced by the original manufacturer, the manufacturer's dealer or another suitably skilled person to prevent hazardous situations from arising.



Warning

Always disconnect the mains supply and close the main gas tap when working on the boiler.



Warning

Check the entire system for leaks after maintenance and servicing work.



Danger

For safety reasons, we recommend fitting smoke and CO alarms at suitable places in your home.



Caution

- Make sure the boiler can be reached at all times.
- The boiler must be installed in a frost-free area.
- If the power cord is permanently connected, you must always install a main bipolar switch with an opening gap of at least 3 mm (BS EN 60335-1).
- Drain the boiler and central heating system if you are not going to use your home for a long time and there is a chance of frost.
- The frost protection does not work if the boiler is out of operation.
- The boiler protection only protects the boiler, not the system.
- Check the water pressure in the system regularly. If the water pressure is lower than 0.8 bar, the system must be topped up (recommended water pressure between 1.5 and 2 bar).



Important

Keep this document near to the boiler.



Important

Only remove the casing for maintenance and repair operations. Refit all panels when maintenance work and servicing are complete.



Important

Instruction and warning labels must never be removed or covered and must be clearly legible throughout the entire service life of the boiler. Damaged or illegible instructions and warning stickers must be replaced immediately.



Important

Modifications to the boiler require the written approval of **Remeha**.

1.3 Specific safety instructions

1.3.1 Additional guidelines

In addition to the legal requirements and guidelines, the supplementary guidelines in this manual must also be followed. Supplements or subsequent regulations and guidelines that are valid at the time of installation shall apply to all regulations and guidelines specified in this manual.

1.4 Liabilities

1.4.1 Manufacturer's liability

Our products are manufactured in compliance with the requirements of the various Directives applicable. They are therefore delivered with the CE marking and any documents necessary. In the interests of the quality of our products, we strive constantly to improve them. We therefore reserve the right to modify the specifications given in this document.

Our liability as manufacturer may not be invoked in the following cases:

- Failure to abide by the instructions on installing the appliance.
- Failure to abide by the instructions on using the appliance.
- Faulty or insufficient maintenance of the appliance.

1.4.2 Installer's liability

The installer is responsible for the installation and initial commissioning of the appliance. The installer must observe the following instructions:

- Read and follow the instructions given in the manuals provided with the appliance.
- Install the appliance in compliance with prevailing legislation and standards.
- Carry out initial commissioning and any checks necessary.
- Explain the installation to the user.
- If maintenance is necessary, warn the user of the obligation to check the appliance and keep it in good working order.
- Give all the instruction manuals to the user.

1.4.3 User's liability

To guarantee optimum operation of the system, you must abide by the following instructions:

- Read and follow the instructions given in the manuals provided with the appliance.
- Call on a qualified professional to carry out installation and initial commissioning.
- Get your installer to explain your installation to you.
- Have the required inspections and maintenance carried out by a qualified installer.
- Keep the instruction manuals in good condition close to the appliance.

2 About this manual

2.1 General

This manual describes the installation, use and maintenance of the Quinta Ace boiler. This manual is part of all the documentation supplied with the boiler.

2.2 Additional documentation

The following documentation is available in addition to this manual:

- Installation and user manual for control panel
- Water quality instructions

2.3 Symbols used

2.3.1 Symbols used in the manual

This manual uses various danger levels to draw attention to special instructions. We do this to improve user safety, to prevent problems and to guarantee correct operation of the appliance.



Danger

Risk of dangerous situations that may result in serious personal injury.



Danger of electric shock

Risk of electric shock.



Warning

Risk of dangerous situations that may result in minor personal injury.



Caution

Risk of material damage.



Important

Please note: important information.



See

Reference to other manuals or pages in this manual.

2.4 Abbreviations

PCU	PCB for managing burner operation
PWM	Pulse wide modulation
SU	Safety PCB

3 Technical specifications

3.1 Homologations

3.1.1 Certifications

Tab.1 Certifications

CE identification number	PIN 0063CQ3781
NOx class	6 (EN 15502-1)
Type of connection	B _{23P} , B ₃₃ C ₁₃ , C ₃₃ , C ₄₃ , C ₅₃ , C ₆₃ , C ₈₃ , C ₉₃

3.1.2 Unit categories

Tab.2 Unit categories

Country	Category	Gas type	Connection pressure (mbar)
Great Britain	II _{2H3B/P}	G20 (H gas) G30/G31 (butane/propane)	20 30-50

3.1.3 Directives

In addition to the legal requirements and guidelines, the supplementary guidelines in this manual must also be followed.

Supplements or subsequent regulations and guidelines that are valid at the time of installation shall apply to all regulations and guidelines specified in this manual.





3.1.4 Factory test

Before leaving the factory, each boiler is optimally set and tested for:

- Electrical safety.
- Adjustment of (O₂/CO₂).
- Water tightness.
- Gas tightness.
- Parameter setting.

3.2 Technical data

Tab.3 General

Quinta Ace			160
Nominal output (Pn) for central heating operation (80°C/60°C)	min. - max.  ⁽¹⁾	kW	31.5 - 152.1 152.1
Nominal output (Pn) for central heating operation (50°C/30°C)	min. - max.  ⁽¹⁾	kW	34.7 - 161.6 161.6
Nominal input (Qn) for central heating operation (Hi) G20 (H gas)	min. - max.  ⁽¹⁾	kW	32.0 - 156.0 156.0
Nominal input (Qn) for central heating operation (Hi) G31 (Propane)	min. - max.	kW	40.0 - 156.0
Nominal input (Qn) for central heating operation (Hs) G20 (H gas)	min. - max.  ⁽¹⁾	kW	35.6 - 173.3 173.3

Quinta Ace			160
Nominal input (Qn) for central heating operation (Hs) G31 (Propane)	min. - max.	kW	43.4 - 169.6
Full load central heating efficiency (Hi) (80/60°C) (92/42/EEC)		%	97.5
Full load central heating efficiency (Hi) (50°C/30°C) (EN15502)		%	103.6
Low load central heating efficiency (Hi) (return temperature 60°C)		%	98.4
Part load central heating efficiency (92/42/EEC) (return temperature 30°C)		%	108.5
(1) Factory setting.			

Tab.4 Gas and flue gas data

Quinta Ace			160
Gas inlet pressure G20 (H gas)	min. - max.	mbar	17 - 25
Gas inlet pressure G31 (propane)	min. - max.	mbar	37 - 50
Gas consumption G20 (H gas) ⁽¹⁾	min. - max.	m ³ /h	3.4 - 16.5
Gas consumption G31 (propane) ⁽¹⁾	min. - max.	m ³ /h	1.4 - 6.3
BREEAM NO _x		mg/kWh	36
Flue gas mass flow rate	min. - max.	kg/h g/s	57 - 277 16 - 77
Flue gas temperature	min. - max.	°C	32 - 66
Maximum counter pressure		Pa	200
(1) Gas consumption based on lower heating value under standard conditions: T=288.15 K, p=1013.25 mbar. Gag 30.33; G25 29.25; G31 88.00 MJ/m ³			

Tab.5 Central heating circuit data

Quinta Ace			160
Water content		l	17
Water operating pressure	min	bar	0.8
Water operating pressure (PMS)	max	bar	4.0
Water temperature	max	°C	110
Operating temperature	max	°C	90
Pressure drop secondary circuit ($\Delta T=20$ K)		mbar	170

Tab.6 Electrical data

Quinta Ace			160
Supply voltage		VAC	230
Power consumption – full load	max	W	275
Power consumption – low load	min	W	47
Power consumption – standby	min	W	5.3
Electrical protection index		IP	IPX1B
Fuses	Main PCU	A A	6.3 1.6

Tab.7 Other data

Quinta Ace			160
Total weight (empty)		kg	147
Minimum mounting weight (without front panel)		kg	123
Average acoustic level at a distance of one metre from the boiler		dB(A)	59.5

Tab.8 Technical parameters

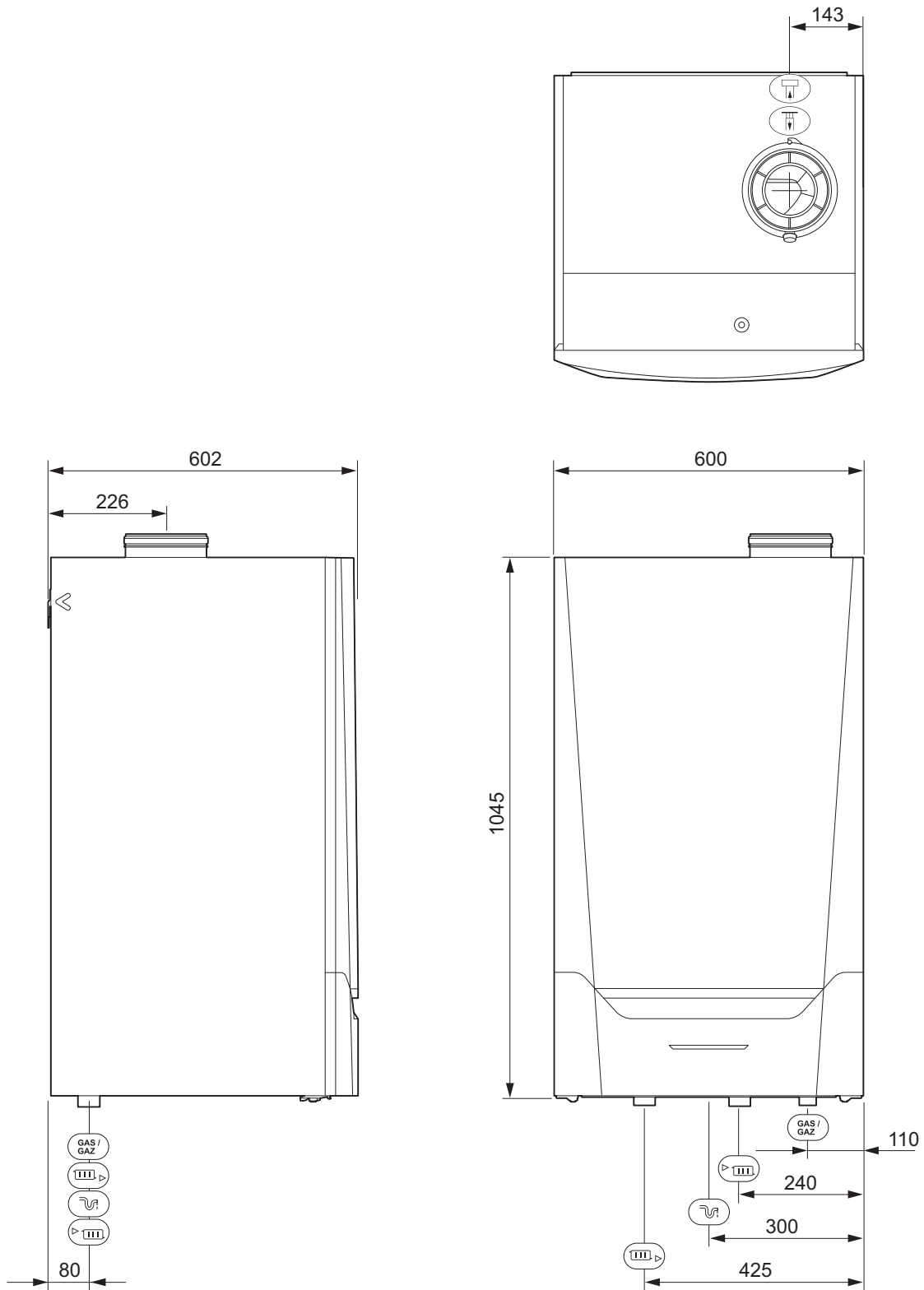
Quinta Ace			160
Condensing boiler			Yes
Low-temperature boiler ⁽¹⁾			No
B1 boiler			No
Cogeneration space heater			No
Combination heater			No
Rated heat output	P_{rated}	kW	152
Useful heat output at nominal heat output and high temperature operation ⁽²⁾	P_4	kW	152.1
Useful heat output at 30% of rated heat output and low temperature regime ⁽¹⁾	P_1	kW	50.8
Seasonal space heating energy efficiency	η_s	%	-
Useful efficiency at rated heat output and high temperature regime ⁽²⁾	η_4	%	87.8
Useful efficiency at 30% of rated heat output and low temperature regime ⁽¹⁾	η_1	%	97.8
Auxiliary electricity consumption			
Full load	el_{max}	kW	0.275
Part load	el_{min}	kW	0.047
Standby mode	P_{SB}	kW	0.005
Other items			
Standby heat loss	P_{stby}	kW	0.191
Ignition burner power consumption	P_{ign}	kW	-
Annual energy consumption	Q_{HE}	kWh GJ	-
Sound power level, indoors	L_{WA}	dB	68
Emissions of nitrogen oxides	NO _x	mg/kWh	35
(1) Low temperature means 30°C for condensing boilers, 37°C for low temperature boilers and 50°C (at heater inlet) for other heating appliances.			
(2) High temperature operation means 60°C return temperature at heater inlet and 80°C feed temperature at heater outlet.			

**See**




Refer to the back cover for contact details.




3.3 Dimensions and connections

Fig.1 Dimensions



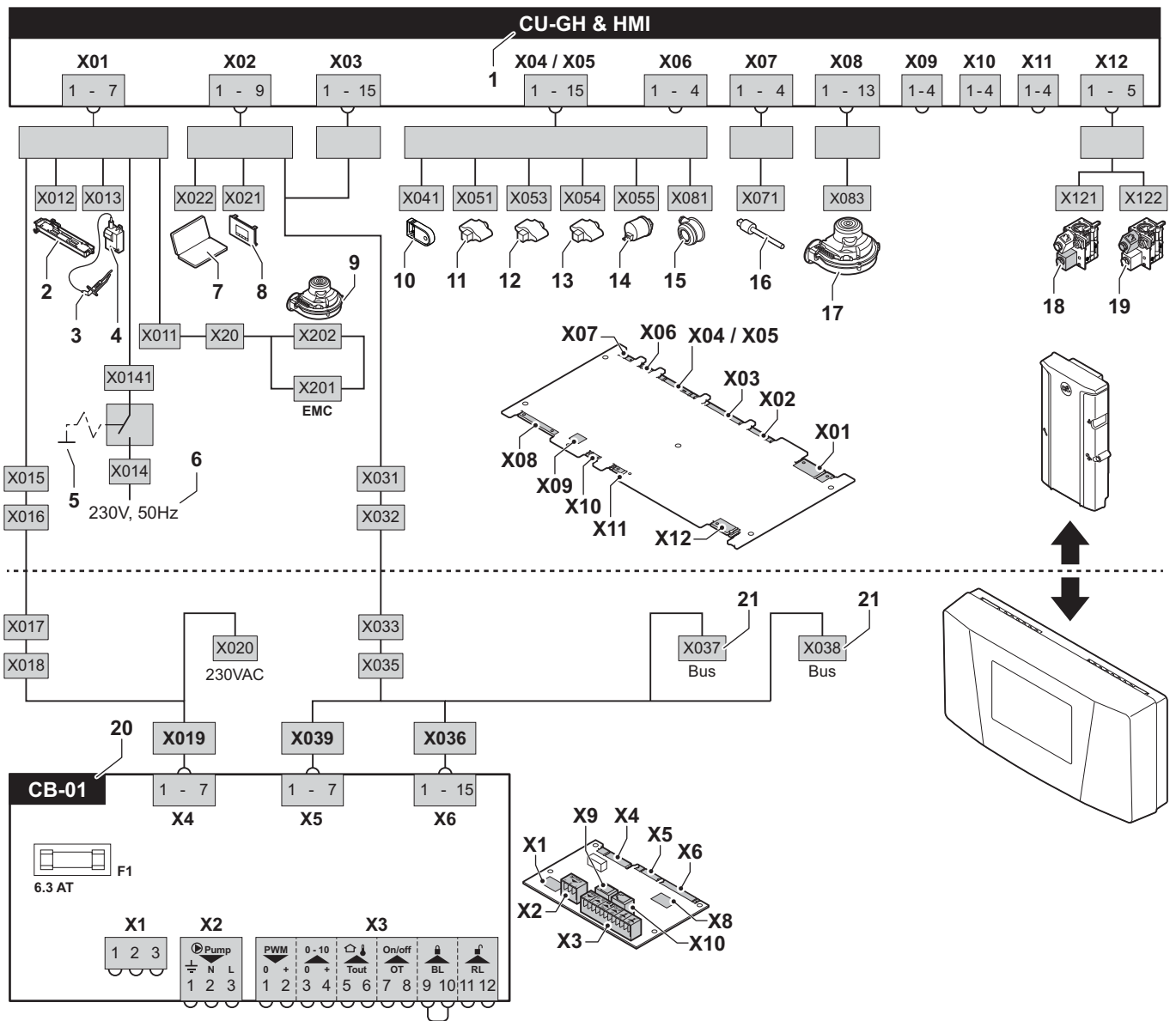
AD-0000217-01

-  Flue gas outlet connection; Ø 100 mm
-  Air supply connection; Ø 150 mm
-  Siphon connection

-  CH flow connection; 1¼ inch male thread
-  CH return connection; 1¼ inch male thread
-  Gas connection; 1 inch male thread

3.4 Electrical diagram

Fig.2 Electrical diagram



AD-0000669-05

- | | |
|---|--|
| <ul style="list-style-type: none"> 1 Control unit (CU-GH) 2 Lighting 3 Ignition pin 4 Ignition transformer 5 On/off switch 6 Power supply 7 Service connector / computer connection 8 Control panel 9 Fan supply 10 Storage parameter 11 Flow sensor | <ul style="list-style-type: none"> 12 Heat exchanger sensor 13 Return sensor 14 Hydraulic pressure sensor 15 Air pressure differential switch 16 Flue gas sensor 17 Fan control (PWM) 18 Gas valve 1 19 Gas valve 2 20 Standard PCB 21 L-bus connections for additional PCBs |
|---|--|

4 Description of the product

4.1 General description

The Quinta Ace boiler is a high-efficiency wall-hung gas boiler with the following properties:

- High-efficiency heating.
- Limited emissions of polluting substances.
- Ideal choice for cascade configurations.

The following boiler designs are available:

- Basic level:
 - Control panel HMI S-control
 - Control PCB SCB-01
- Middle level:
 - Control panel HMI T-control
 - Control PCB SCB-02
- Performance level:
 - Control panel HMI T-control
 - Control PCB SCB-10

4.2 Operating principle

4.2.1 Gas/air regulation

The boiler is equipped with a casing that also serves as an air box. The fan draws in the combustion air. The gas is injected into the venturi and mixed with the combustion air. The fan speed is controlled on the basis of the settings, the heat demand and the prevailing temperatures measured by the temperature sensors. The gas/air ratio control ensures an accurate mixture of the required amounts of gas and air. This provides optimum combustion over the entire heat input range. The gas/air mixture goes to the burner, where it is ignited by the ignition electrode.



Important

The combustion air supply is checked before each burner start, and at least once every 24 hours. During continuous operation (e.g. supplying process water), please note that the boiler control will reset every 24 hours.

4.2.2 Combustion

The burner heats the central heating water flowing through the heat exchanger. If the temperature of the flue gases is lower than the dew point (approx. 55°C), the water vapour condenses in the heat exchanger. The heat released during this condensation process (referred to as the latent or condensation heat) is also transferred to the central heating water. The cooled flue gases are discharged through the flue gas discharge pipe. The condensed water is discharged through a siphon.

4.2.3 Control system

The eSMART® electronic control system ensures that your heating system is smart and reliable. This means that the boiler responds practically to negative environmental influences (such as limited water flow and air flow problems). In the event of such influences, the boiler will not go into lock-out mode, but in the first instance will modulate back. Depending on the nature of the circumstances, a warning, control stop or lock-out may occur. The boiler continues to supply heat provided the situation is not dangerous. With this control system, your boiler is also equipped for remote control and monitoring.

4.2.4 Control

- **On/off control**

The heat input varies between the minimum and the maximum values on the basis of the flow temperature set on the boiler. It is possible to connect a 2-wire on/off thermostat or a power stealing thermostat to the boiler.

- **Modulating control**

The heat input varies between the minimum and the maximum values on the basis of the flow temperature determined by the modulating controller. The boiler output can be modulated with an appropriate modulating controller.

- **Analogue control (0 - 10 V)**

The heat input varies between the minimum and the maximum values on the basis of the voltage present at the analogue input.

4.2.5 Regulating the water temperature

The boiler is fitted with an electronic temperature control with a flow and return temperature sensor. The flow temperature can be adjusted between 20°C and 90°C. The boiler modulates back when the set flow temperature is reached. The switch-off temperature is the set flow temperature + 5°C.

4.2.6 Protection against shortage of water

The boiler is fitted with low water level protection based on temperature measurements. By modulating back when the water flow threatens to become insufficient, the boiler remains operational as long as possible. The boiler issues a warning in the event of no or too little water. With an insufficient flow $\Delta T \geq 25$ K or too great an increase in the heat exchanger temperature sensor, the boiler goes into blocking mode.

4.2.7 Water flow

The modulating control of the boiler limits the maximum difference between the flow temperature and return temperature. In addition, a heat exchanger temperature sensor is mounted to monitor the minimum water flow. This limits the maximum increase in the heat exchanger temperature and monitors the maximum temperature difference between the flow, return and heat exchanger temperatures. As a result, the boiler is not affected by low water flow.

4.2.8 Hydraulic pressure sensor

The hydraulic pressure sensor records the water pressure in the boiler. Change the threshold value for the hydraulic pressure sensor using parameter `AP006`.

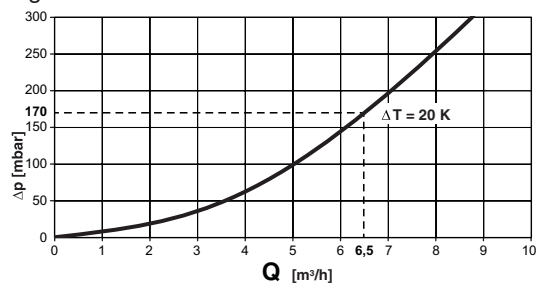
4.2.9 Air pressure differential switch

The air pressure differential switch is a protection against a blocked trap or blocked air supply/flue gas outlet.

Before start-up and when the boiler is in operation, the air pressure differential switch **APS** measures the difference in pressure between the measuring points on the condensate collector p^+ and the air box p^- . If the pressure difference is greater than 6 mbar, then the boiler will lock out. After eliminating the cause of the breakdown, the boiler can be unlocked.

4.2.10 Circulating pump

Fig.3 Water resistance



AD-0000857-02

ΔP Boiler resistance (mbar)

Q Flow rate (m³/h)

The boiler is supplied without a pump. Take the boiler resistance and system resistance into account when selecting a pump.



See

Technical data, page 12.



Caution

Maximum power consumption may be 300 VA. Use an auxiliary relay for a pump with greater power.

4.2.11 Calorifier connection

A calorifier can be connected to the boiler. Our range includes various calorifiers.



Important

Contact us for more information.

4.2.12 Cascade system

The boiler is ideally suited for a cascade system. There are a number of standard solutions available.

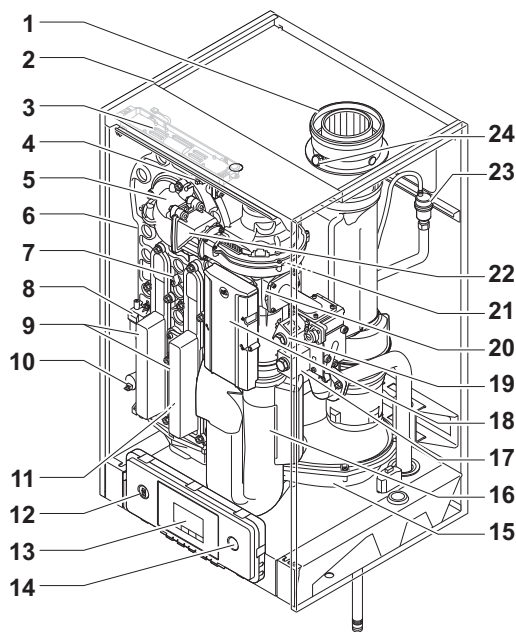


Important

Contact us for more information.

4.3 Main components

Fig.4 Main components



AD-0000218-01

- 1 Air supply/flue gas discharge
- 2 Casing/air box
- 3 Interior light
- 4 Flow sensor
- 5 Adapter
- 6 Heat exchanger
- 7 Temperature sensor for heat exchanger
- 8 Ignition transformer
- 9 Inspection hatch for heat exchanger (x2)
- 10 Water pressure sensor
- 11 Return sensor
- 12 PC/laptop connection point
- 13 Control panel
- 14 On/off switch
- 15 Condensate collector
- 16 Air inlet silencer
- 17 Gas pressure measuring point
- 18 Control unit (CU-GH)
- 19 Gas valve unit
- 20 Venturi
- 21 Fan
- 22 Non-return valve
- 23 Automatic air vent
- 24 Flue gas measuring point

4.4 Control panel description

The Quinta Ace boiler is supplied with a separate control panel.



See
Manual for the control panel.

4.5 Standard delivery

The delivery includes 2 packages:

One package with:

- The boiler, with mains lead

One package with:

- Suspension bracket and fasteners for wall mounting
- Mounting template
- Siphon with condensate drain hose
- Connection box with connector for external connections, including:
 - Standard control PCB **CB-01**
 - Expansion board **SCB-01** (depending on boiler model)
 - Expansion board **SCB-02** (depending on boiler model)
 - Expansion board **SCB-10** (depending on boiler model)
- Connection cables (230 V and 24 V) for connection between the connection box and boiler
- Sticker: This central heating unit is set for...
- Documentation
- Water quality instructions
- The control panel with a corresponding manual



Important

This manual only deals with the standard scope of supply. For the installation or mounting of any accessories delivered with the boiler, refer to the corresponding mounting instructions.

4.6 Accessories and options

Various accessories can be obtained for the boiler.



Important

Contact us for more information.

5 Before installation

5.1 Installation regulations



Warning

The installer must be registered with Gas Safe and have the correct ACS qualifications.



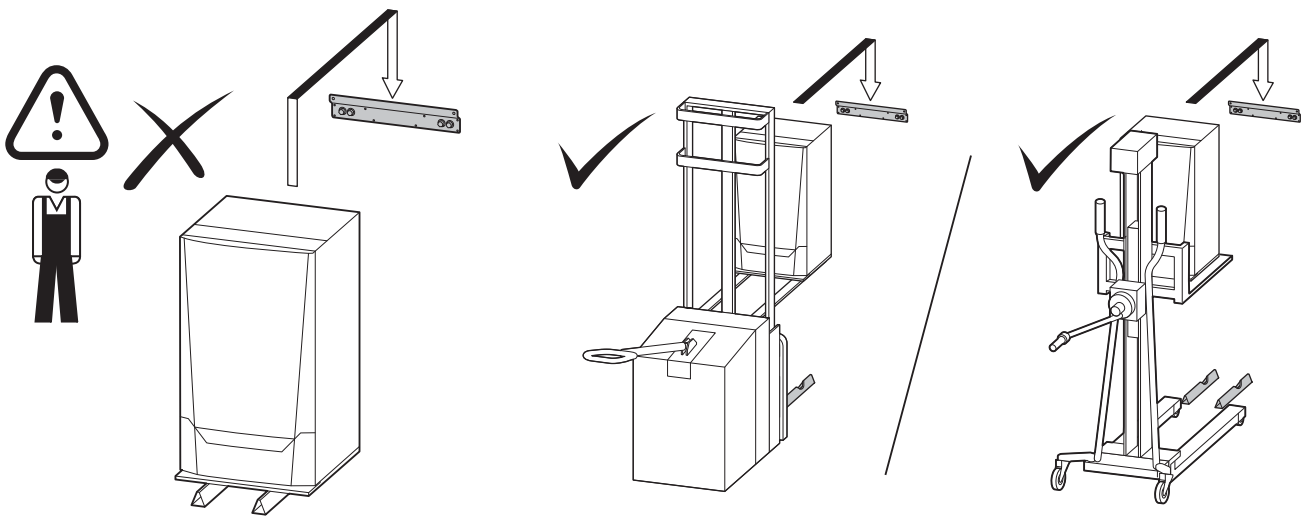
Important

Practical guidelines - see the latest version.

5.2 Lifting instruction

The weight of the boiler exceeds the maximum lift weight for one person. We recommend the use of a lifting aid.

Fig.5 Lifting aids



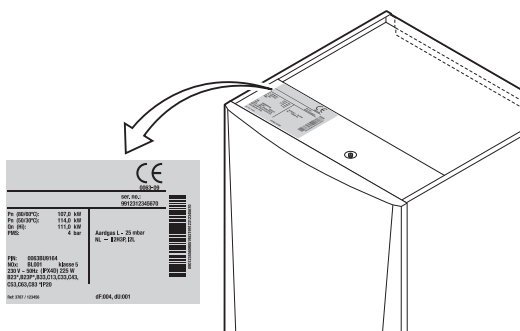
AD-0000138-03

5.3 Choice of the location

5.3.1 Type plate

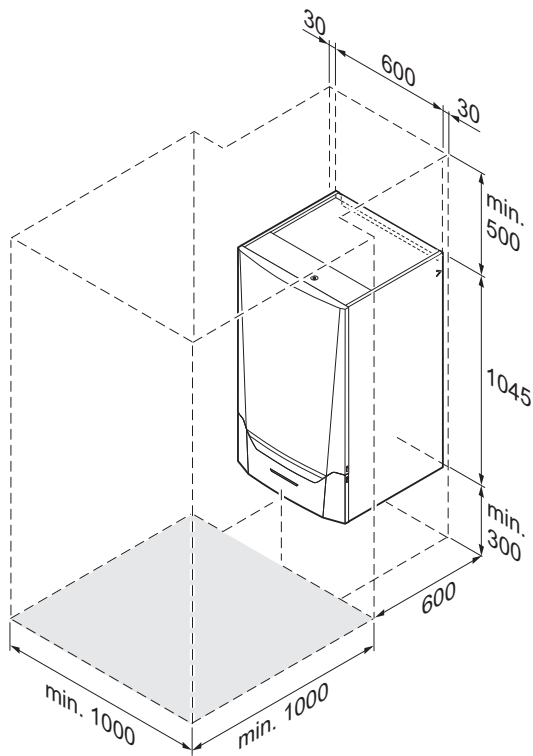
Fig.6 Position of type plate

The type plate on top of the boiler features the boiler serial number and important boiler specifications, for example the model and unit category. The factory setting codes CN 1 and CN 2 are also stated on the type plate.



AD-0000103-01

Fig.7 Installation area



AD-0000104-03

5.3.2 Location of the boiler

- Use the guidelines and the required installation space as a basis for determining the correct place to install the boiler. When determining the correct installation space, take account of the permitted position of the flue gas discharge and/or air supply outlet.
- Ensure that there is sufficient space around the boiler for good access and ease of maintenance.



Danger

It is forbidden to store, even temporarily, combustible products and substances in the boiler or near the boiler.



Caution

- Mount the boiler on a strong and solid wall (at least half-brick brickwork with calcium silicate bricks). Build a reinforcing structure if necessary.
- The boiler must be installed in a frost-free area.
- The boiler must have an earthed electrical connection.
- A connection to the drain must be present for the condensate drain close to the boiler.
- The specified minimum space is required for standard maintenance work. For installation and extensive servicing work, there must be at least 1 m x 1 m of clear space in front of the boiler.

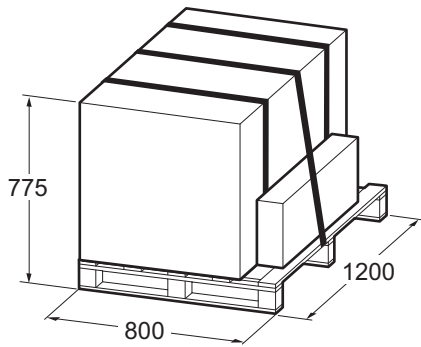


Caution

If the power cord is permanently connected, you must always install a main bipolar switch with an opening gap of at least 3 mm (BS EN 60335-1).

5.4 Transport

Fig.8 Boiler package



AD-0000136-02

The boiler is delivered on a pallet. The delivery includes 2 packages. One package with the boiler and one package with individual parts and technical documentation. See diagram for dimensions. The base of the package is a pallet 80 cm wide. This means that it can be transported with a pallet truck or using four-wheel transport boards. Without the packaging, the boiler is 60 cm wide, meaning it will fit through all standard doorways.

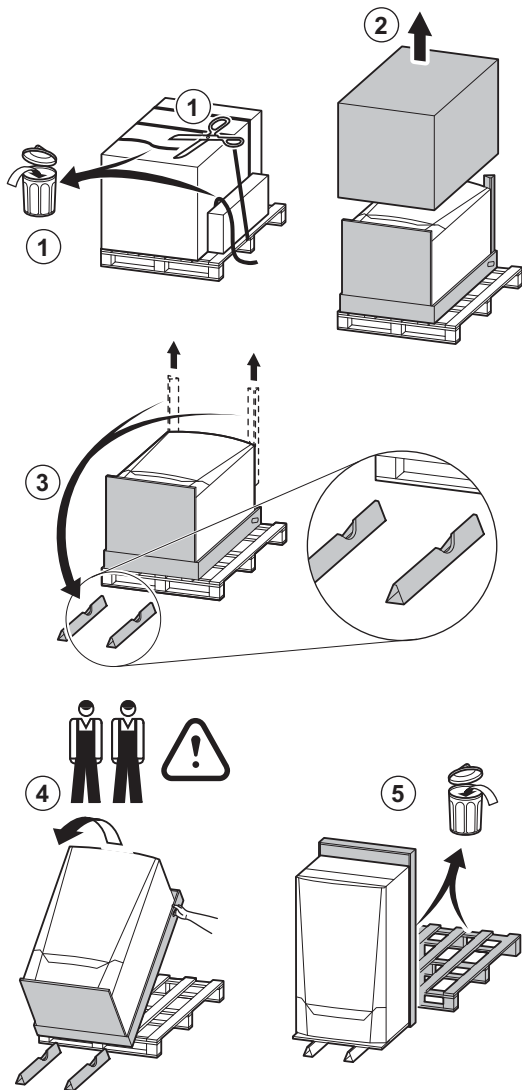


Important

Always transport the boiler as close to the mounting plate as possible before the packaging is removed.

5.5 Unpacking & initial preparation

Fig.9 Unpacking the boiler



1. Cut the packaging straps and remove.
2. Remove the cardboard box.
3. Take the 2 floor stands out of the packaging and place them on the floor in front of the bottom of the boiler.
4. With 2 people, place the boiler upright on the floor stands.
5. Remove the pallet and the rest of the packaging.



Important

The boiler can now be moved with a lifting aid.

AD-0000137-02

6 Installation

6.1 General

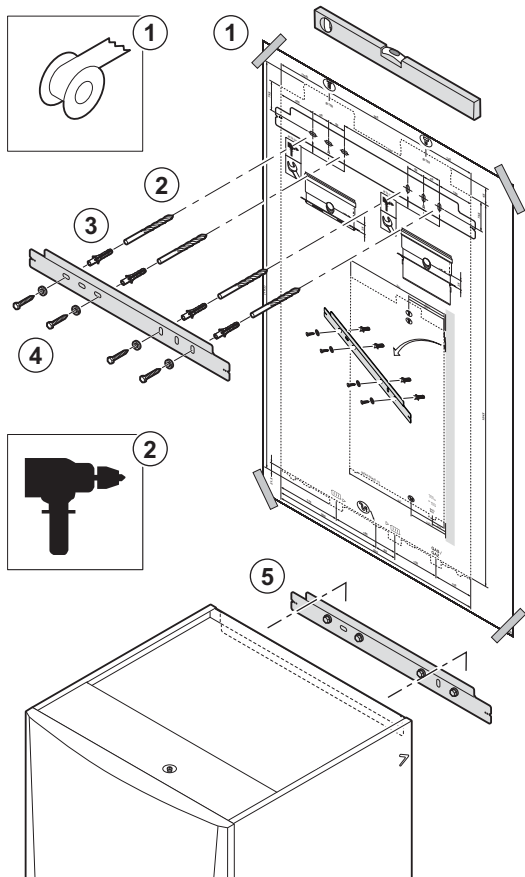


Warning

The boiler must be installed by a qualified installer in accordance with local and national regulations.

6.2 Preparation

Fig.10 Mounting the boiler



AD-0000107-01

6.3 Hydraulic connections

6.2.1 Positioning the boiler

The fitting bracket on the back of the casing can be used to mount the boiler directly on the suspension bracket.

The boiler is supplied with a mounting template.

1. Attach the mounting template of the boiler to the wall using adhesive tape.



Warning

- Use a level to check whether the mounting template is hanging perfectly horizontally.
- Protect the boiler against building dust and cover the flue gas outlet and air supply connection points. Only remove this cover to assemble the relevant connections.

2. Drill 4 holes of Ø 10 mm.
3. Fit the Ø 10 mm plugs.
4. Attach the suspension bracket to the wall with the Ø 10 mm bolts supplied.
5. Mount the boiler on the suspension bracket at the level of the arrows on the side of the boiler.



Warning

- The weight of the boiler exceeds the maximum lift weight for one person. Observe the applicable regulations. We recommend the use of a lifting aid. Please ensure all necessary care is taken when lifting the boiler on to the wall mounting bracket.
- The plugs supplied are only suitable for concrete. Select the correct plugs for installation on other materials.

6.3.1 Rinsing the system

The installation must be cleaned and flushed in accordance with BS 7593 (2006) and BSRIA BG 33/2014.

Before a new CH boiler can be connected to an existing or new installation, the entire installation must be thoroughly cleaned and flushed. This step is absolutely crucial. The flushing helps to remove residue from the installation process (weld slag, fixing products etc.) and accumulations of dirt (silt, mud etc.)



Important

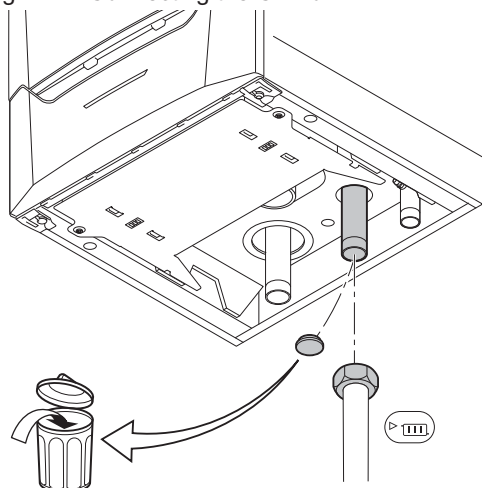
Flush the CH installation with a volume of water equivalent to at least three times the volume of the CH installation. Flush the DHW pipes with at least 20 times the volume of the pipes.

**Important**

Due to the presence of an aluminium heat exchanger, suitable chemicals and the correct use of these chemicals should be discussed with specialist water treatment companies.

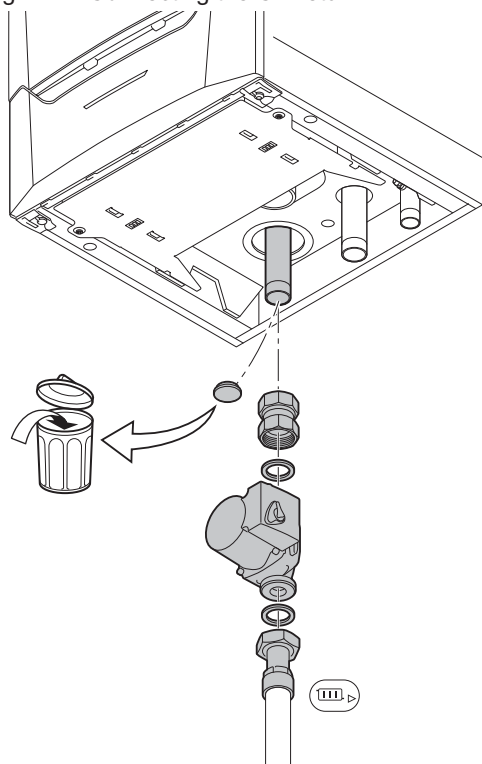
6.3.2 Connecting the heating circuit

Fig.11 Connecting the CH flow





AD-0000108-01

Fig.12 Connecting the CH return



AD-0000109-01

1. Remove the dust cap from the CH flow connection  at the bottom of the boiler.

2. Fit the outlet pipe for CH water to the CH flow connection.
3. Remove the dust cap from the CH return connection  at the bottom of the boiler.
4. Fit the inlet pipe for CH water to the CH return connection.
5. For filling and tapping the boiler, install a filling and drain cock in the CH return pipe.
6. Install the system pump in the CH return pipe.

**See**

For the electrical connection of the system pump: Connecting the system pump, page 35


**Important**

Fit a service shut-off valve in the CH flow pipe and the CH return pipe to facilitate servicing work.

**Caution**

- When fitting service shut-off valves, position the filling and drain valve, the expansion vessel and the safety valve between the shut-off valve and the boiler.
- If using plastic pipes, follow the manufacturer's (connection) instructions.

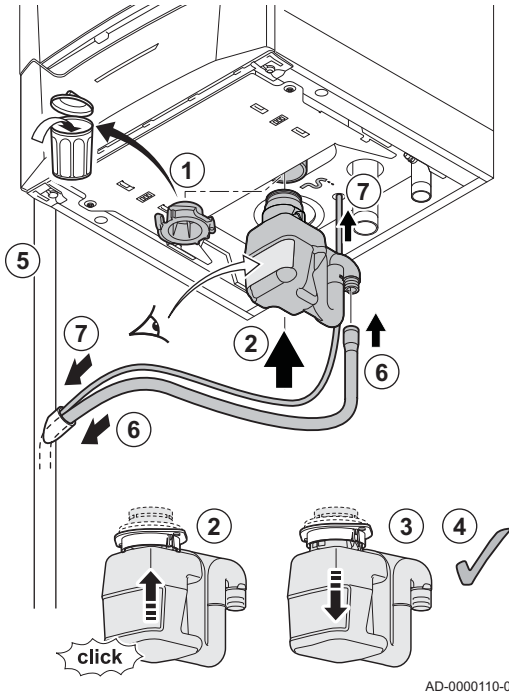
6.3.3 Connecting the expansion vessel

1. Ensure that there is an expansion vessel with the correct volume and inlet pressure.
2. Fit the expansion vessel on the central heating return pipe .


6.3.4 Connecting the condensate drain pipe

The siphon is supplied separately with the boiler as standard (including a flexible plastic drain hose and a transparent extension hose for the automatic air vent). Fit these parts under the boiler.

Fig.13 Connecting the condensate drain



AD-0000110-03

1. Remove the dust cap on the siphon connection  at the bottom of the boiler.
2. Push the siphon firmly into the designated opening.
⇒ The siphon should snap shut with a click.
3. Carefully pull the siphon downwards.
4. Check whether the siphon is firmly fitted in the boiler.
5. Fit a plastic drain pipe of Ø 32 mm or larger, terminating in the drain.
6. Attach the siphon hose supplied to the output of the siphon and insert the other end into the plastic drain pipe.
7. Push the transparent hose supplied into the connecting grommet of the automatic air vent and insert the other end into the plastic drain pipe.
8. Fit a stench-trap or siphon in the drain pipe.



Danger

The siphon must always be filled with water. This prevents flue gases from entering the room.



Caution

- Never seal the condensate drain.
- The drain pipe must slope down at least 30 mm per metre, the maximum horizontal length is 5 metres.
- Condensed water must not be discharged into a gutter.

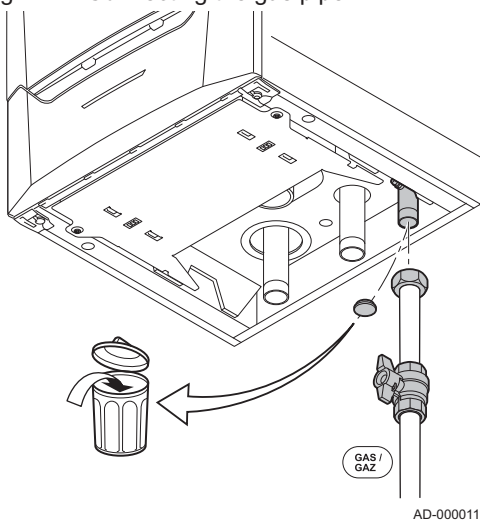
6.4 Gas connection



Warning

- Before starting work on the gas pipes, turn off the main gas tap. Before installing, check that the gas meter has sufficient capacity. Take into account the consumption of all appliances.
- Notify the local energy company if the gas meter has insufficient capacity.

Fig.14 Connecting the gas pipe



AD-0000111-01



Caution


- Remove dirt and dust from the gas pipe.
- Always perform welding work at a sufficient distance from the boiler.
- Place a gas filter to prevent pollution of the gas block.

1. Remove the dust cap from the gas supply pipe $\frac{GAS}{GAZ}$ at the bottom of the boiler.
2. Fit the gas supply pipe.
3. Fit a gas cock in this pipe, directly underneath the boiler.
4. Fit the gas pipe to the gas cock.

6.5 Air supply/flue gas connections

The boiler is suitable for the following types of flue gas connections:

6.5.1 Classification

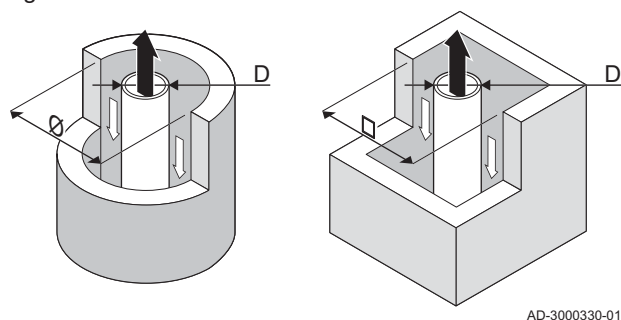
This classification is specified in more detail in the table in accordance with .

Tab.9 Types of flue gas connections

Type	Version	Description
B ₂₃ B _{23P} ⁽¹⁾	Open	<ul style="list-style-type: none"> Without down-draught diverter. Flue gas discharge via the roof. Air from the installation area.
B ₃₃	Open	<ul style="list-style-type: none"> Without down-draught diverter. Common flue gas discharge via the roof (depression). Flue gas discharge rinsed with air, air from the installation area (special construction).
C ₁₃	Closed	<ul style="list-style-type: none"> Discharge in the outside wall. Inlet opening for the air supply is in the same pressure zone as the discharge (e.g. a combined outside wall feed-through).
C ₃₃	Closed	<ul style="list-style-type: none"> Flue gas discharge via the roof. Inlet opening for the air supply is in the same pressure zone as the discharge (e.g. a concentric roof feed-through).
C ₄₃ ⁽²⁾	Closed/cascade	<ul style="list-style-type: none"> Joint air supply and flue gas discharge duct (CLV system): <ul style="list-style-type: none"> - Concentric (preferably). - Parallel (if concentric is not possible). Overpressure cascade
C ₅₃	Closed	<ul style="list-style-type: none"> Closed unit. Separate air supply duct. Separate flue gas discharge duct. Discharging into different pressure areas.
C ₆₃	Closed	<ul style="list-style-type: none"> This type of unit is supplied by the manufacturer without a supply and discharge system.
C ₈₃ ⁽³⁾	Closed	<ul style="list-style-type: none"> The appliance can be connected to what is known as a semi-CLV system (common flue gas outlet and individual air supply).
C ₉₃ ⁽⁴⁾	Closed	<ul style="list-style-type: none"> Air supply and flue gas discharge duct in shaft or ducted: <ul style="list-style-type: none"> - Concentric. - Air supply from existing duct. - Flue gas discharge via the roof. - Inlet opening for the air supply is in the same pressure zone as the discharge.
<p>(1) Also pressure class P1 (2) EN 15502-2-1: 0.5 mbar suction due to depression (3) 4 mbar depression can occur (4) See table for minimum dimensions of shaft or duct</p>		

■ Shaft dimensions

Fig.15 Minimum dimensions of shaft or duct



Tab.10 Shaft dimensions

Type	Version	Diameter	Minimum dimensions of shaft or duct			
			Without air supply		With air supply	
			∅ duct	□ duct	∅ duct	□ duct
C ₉₃	Rigid	100 mm	150 mm	150 x 150 mm	150 mm	150 x 150 mm
		150 mm	200 mm	200 x 200 mm	220 mm	220 x 220 mm
		200 mm	250 mm	250 x 250 mm	280 mm	280 x 280 mm
C ₉₃	Flexible	100 mm	150 mm	150 x 150 mm	150 mm	150 x 150 mm
		150 mm	200 mm	200 x 200 mm	220 mm	220 x 220 mm
		200 mm	250 mm	250 x 250 mm	280 mm	280 x 280 mm
C ₉₃	Concentric	100/150 mm	200 mm	200 x 200 mm	-	-
		150/220 mm	270 mm	270 x 270 mm	-	-

6.5.2 Outlets

Flue systems (roof feed-through and outside wall feed-through) must be supplied by the following manufacturers:

- Cox Geelen
- Muelink & Grol
- Ubbink



Important

Where regulations stipulate that a wire grille must be fitted, use a suitable grille made from stainless steel.

Boiler-specific roof and outside wall feed-through kits are also available.



Note

Contact us for more information.

6.5.3 Material



Warning

- The coupling and connection methods may vary depending on the manufacturer. It is not permitted to combine pipes, coupling and connection methods from different manufacturers.
- The materials used must comply with the prevailing regulations and standards.

Tab.11 Flue gas outlet pipework materials

Design ⁽¹⁾	Material ⁽²⁾
Single-wall, rigid	<ul style="list-style-type: none"> • Thick-walled, aluminium • Plastic T120 • Stainless steel
Flexible	<ul style="list-style-type: none"> • Plastic T120 • Stainless steel
<p>(1) The sealing must conform to pressure class 1 (2) With CE marking</p>	

Tab.12 Air supply pipework materials


Version	Material
Single-wall, rigid	<ul style="list-style-type: none"> • Aluminium • Plastic • Stainless steel
Flexible	<ul style="list-style-type: none"> • Aluminium • Plastic • Stainless steel


6.5.4 Length of the air and flue gas pipes

i Important

- When using bends, the maximum chimney length (L) must be shortened according to the reduction table.
- The boiler is also suitable for longer chimney lengths and diameters other than those specified in the tables. Contact us for more information.

■ Room-ventilated version (B₂₃, B_{23P}, B₃₃)

 Connecting the flue gas outlet

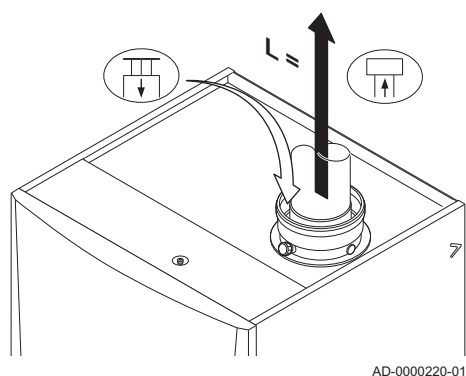
 Connecting the air supply

With a room-ventilated version, the air supply opening stays open; only the flue gas outlet opening is connected. This will ensure that the boiler obtains the necessary combustion air directly from the installation area. Use adapters when using air supply and flue gas outlet pipes with diameters other than 150 mm.

! Caution

- The air supply opening must stay open.
- The installation area must be equipped with the necessary air supply openings. These openings must not be obstructed or shut off.
- If the boiler is operated in a dusty environment (e.g. during the construction phase), use of an air inlet filter is necessary.

Fig.16 Room-ventilated version

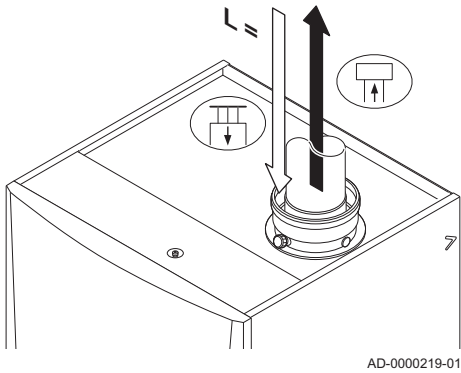




Tab.13 Maximum chimney length (L)

Diameter	90 mm	100 mm	110 mm	130 mm	150 mm
Quinta Ace 160	5 m	8 m	15 m	37 m	40 m ⁽¹⁾
(1) With retention of the maximum flue length it is possible to apply an extra 5 times 90° or 10 times 45° elbows.					

■ Room-sealed version (C₁₃, C₃₃, C₄₃, C₆₃, C₉₃)

Fig.17 Room-sealed version



-  Connecting the flue gas outlet
-  Connecting the air supply

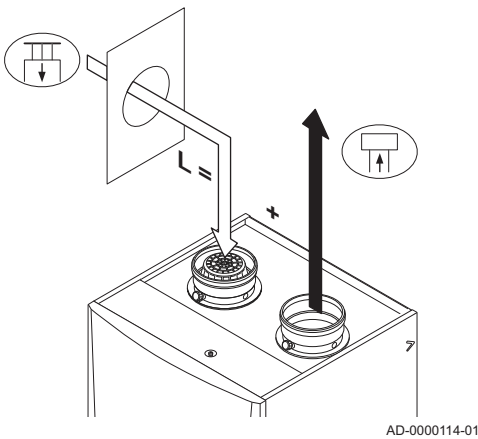
With a room-sealed version, both the flue gas outlet and the air supply openings are connected (concentrically). Use adapters when using air supply and flue gas outlet pipes with diameters other than 100/150 mm.



Tab.14 Maximum chimney length (L)

Diameter	100/150 mm	130/200 mm	150/220 mm
Quinta Ace 160	1 m	12 m	20 m ⁽¹⁾
(1) Retaining the maximum chimney length, it is possible to use an extra 5 x 90° or 10 x 45° elbows.			

■ Connection in different pressure zones (C₅₃, C₈₃)

Fig.18 Different pressure zones



-  Connecting the flue gas outlet
-  Air supply connection

Combustion air supply and flue gas discharge are possible in different pressure areas and semi-CLV systems, with the exception of the coastal area. The maximum permitted height difference between the combustion air supply and the flue gas outlet is 36 m.

Tab.15 Maximum chimney length (L)

Diameter	90 mm	100 mm	110 mm	130 mm	150 mm
Quinta Ace 160	-	-	9 m	27 m	40 m ⁽¹⁾
(1) With retention of the maximum flue length it is possible to apply an extra 5 times 90° or 10 times 45° elbows.					

■ Reduction table

Tab.16 Pipe reduction for each element used (parallel)

Diameter	90 mm	100 mm	110 mm	130 mm	150 mm	250 mm	300 mm
45° bend	1.3 m	1.4 m	1.5 m	1.0 m	1.2 m	2.0	2.4
90° bend	4.5 m	4.9 m	5.4 m	1.8 m	2.1 m	3.5	4.2

Tab.17 Pipe reduction for each element used (concentric)

Diameter	100/150 mm	130/200 mm	150/220 mm
45° bend	1.0 m	1.5 m	1.5 m
90° bend	2.0 m	3.0 m	3.0 m

6.5.5 Specific air and flue gas applications



Important

If the boiler is used in a flue gas overpressure cascade, this must be stated on the sticker supplied: This central heating unit is set for... This sticker must be affixed on top of the boiler next to the type plate.

Contact us for more information.

6.5.6 Additional guidelines

- For installing the flue gas outlet and air supply materials, refer to the instructions of the manufacturer of the relevant material. If the flue gas outlet and air supply materials are not installed in accordance with the instructions (e.g. not leakproof, not properly bracketed), this can result in dangerous situations and/or physical injury. After installation, check at least all flue gas outlet and air supply parts for tightness.
- Direct connection of the flue gas outlet to structural ducts is not permitted because of condensation.
- Always clean shafts thoroughly when using lining pipes and/or an air supply connection.
- It must be possible to inspect the lining duct.
- If condensate from a plastic or stainless steel pipe section can flow back to an aluminium part in the flue gas outlet, this condensate must be discharged via a collector before it reaches the aluminium.
- With longer lengths of aluminium flue gas outlet pipes, relatively large quantities of corrosion products flowing back out of the outlet pipes together with the condensate must be taken into account the first time. Clean the siphon of the appliance regularly or install an extra condensate collector above the unit.
- Make sure that the flue gas outlet pipe towards the boiler has a sufficient gradient (at least 50 mm per metre) and that there is a sufficient condensate collector and discharge (at least 1 m before the outlet of the boiler). The bends used must be larger than 90° to guarantee the gradient and a good seal on the lip rings.

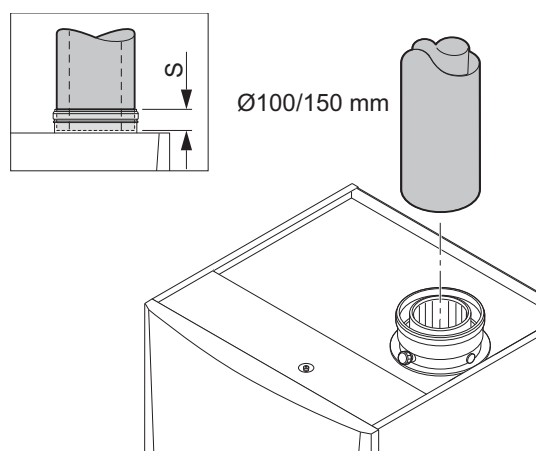


Important

Contact us for more information.

6.5.7 Connecting the flue gas outlet and air supply

Fig.19 Connecting the flue gas outlet and air supply



S insertion depth 50 mm

1. Fit the flue gas outlet pipe to the boiler.
2. Fit the subsequent flue gas outlet pipes and air supply pipes in accordance with the manufacturer's instructions.



Caution

- The pipes must be flue gas-tight and corrosion-resistant.
- The flue gas outlet pipe must be smooth and deburred.
- Connect the pipes so that they are stress-free.
- The pipes must not rest on the boiler.
- Fit the horizontal parts sloping down towards the boiler, with a slope of 50 mm per metre.

6.6 Electrical connections

6.6.1 Recommendations



Warning

- Electrical connections must always be made with the power supply disconnected and only by qualified installers.
- The boiler is completely pre-wired. Never change the internal connections of the control panel.
- Make sure you establish an earth connection before connecting the electricity.

Establish the electrical connections in accordance with:

- The instructions of the current standards.
- The instructions of the wiring diagrams supplied with the boiler.
- The recommendations in this manual.
- Separate the sensor cables from the 230 V cables.

6.6.2 Control unit

The table gives important connection values for the control unit.

Supply voltage	230 VAC/50 Hz
Main fuse value F1 (230 VAC)	6.3 AT
Fan	230 VAC



Danger of electric shock

The following components of the boiler are connected to a 230 V power supply:

- (Electrical connection for) circulating pump
- (Electrical connection for) gas combination block 230 RAC
- (Electrical connection of) fan
- The majority of components in the control unit
- Ignition transformer
- Power supply cable connection
- Various connections in the connection box

The boiler has a three-wire mains lead (lead length 1.5 m) and is suitable for a 230 VAC/50 Hz power supply with a phase/neutral/earth system. The boiler is not phase sensitive. The boiler is completely pre-wired.

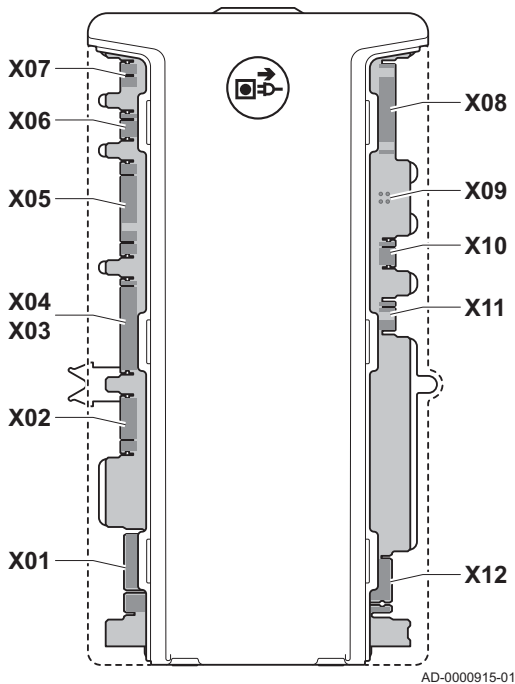


Caution

- Always order a replacement mains lead from Remeha. The power supply cable should only be replaced by Remeha, or by an installer certified by Remeha.
- The switch must be easily accessible
- Use an isolating transformer for connection values other than those stated above.

The control panel and the connection box still need to be fitted. The PCBs are also placed in the connection box.

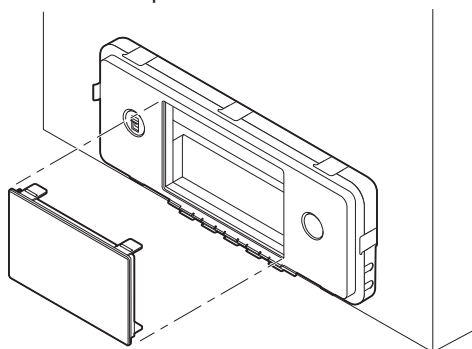
Fig.20 Connectors from the control unit CU-GH (front view)



AD-0000915-01

6.6.3 Assembly of the control panel

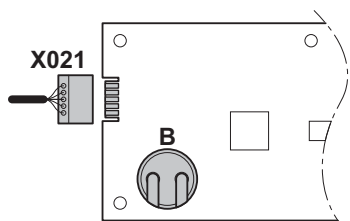
Fig.21 Control panel



AD-0000628-02

The Quinta Ace boiler is supplied with a separate control panel. The control panel is mounted in the boiler. The cable in the box with connector **X021** must be slid onto the connector pin (5 pins, 24 V) of the PCB.

Fig.22 PCB

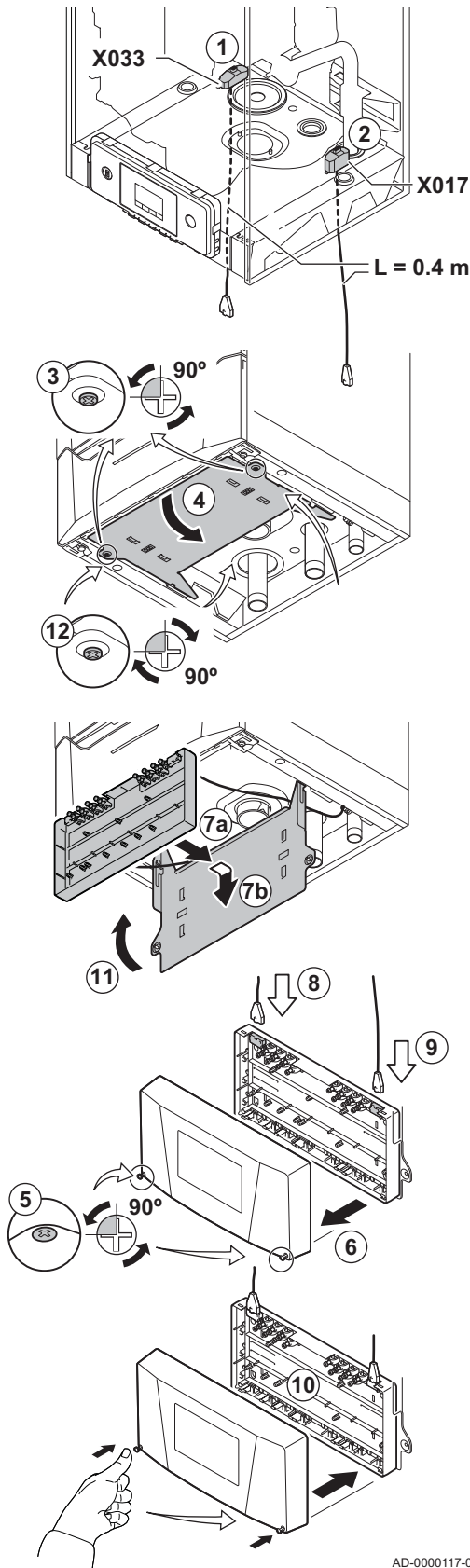


AD-0001300-01

B Battery

There is also a back-up battery on the PCB for the internal clock. Check the battery voltage if the date and time are not displayed clearly.

Fig.23 Opening the connection box



6.6.4 Connecting the connection box

The connection box is included with the delivery of the boiler as standard. Use the connection cables supplied to connect the connection box to the control unit. Proceed as follows:

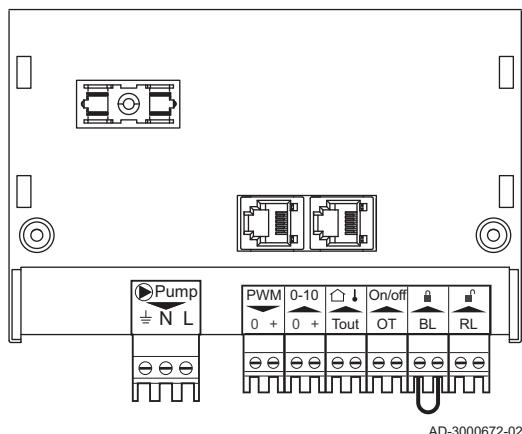
1. Connect the supplied connection cable **X033** to the connector underneath the boiler.
2. Connect the supplied connection cable **X017** to the connector underneath the boiler.
3. Loosen the 2 screws of the connection box holder underneath the boiler by a quarter of a turn.
4. Push the holder slightly back and fold it down.
5. Loosen the 2 screws in the connection box by a quarter of a turn.
6. Open the cover of the connection box.
7. Slide and click the connection box into position on the connection box holder.
8. Connect the connection cable **X033** with the connector in the connection box.
9. Connect the connection cable **X017** with the connector in the connection box.
10. Now connect the desired external controllers to the other connectors. Proceed as follows:
 - Lay the cable under the strain relief clip.
 - Press the strain relief clip firmly in place.
 - Close the connection box.
 - Press the 2 screws in the connection box.
11. Lift the holder up and slide it forward into position.
12. Tighten the 2 screws of the connection box holder underneath the boiler by a quarter of a turn.

i Important

The connection box can also be mounted on the wall. Use the screw holes on the back of the connection box. The supplied connection cables must not be extended. Special extension cables are available as an accessory.

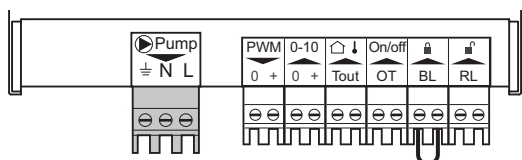
AD-0000117-03

Fig.24 Standard PCB



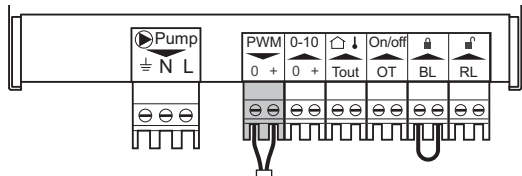
AD-3000672-02

Fig.25 System pump



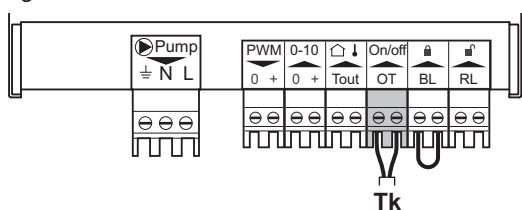
AD-0000662-01

Fig.26 PWM system pump



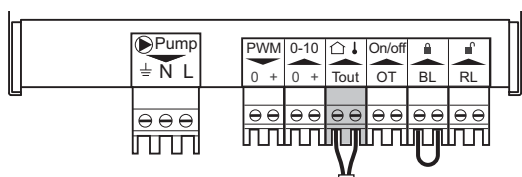
AD-0000654-01

Fig.27 On/off thermostat



AD-0000657-01

Fig.28 Outside sensor



AD-0000658-01

6.6.5 Connection options for the standard PCB

■ Connection options for the standard control PCB

The standard PCB can be found in the connection box. Various thermostats and regulators can be connected to the standard PCB.

■ Connecting the system pump

1. Connect a system pump to the **Pump** terminals of the connector.



Important

The maximum power consumption is 300 VA.

The function of the system pump can be changed using parameters **PPO 15**, **PPO 16** and **PPO 18**.

■ Connecting a PWM system pump

A PWM system pump can be connected to the boiler and can be controlled in a modulating way from the boiler

1. Connect the PWM pump to the **PWM** terminals of the connector.



Note

Contact us for more information.

■ Connecting the on/off thermostat

Tk On/off thermostat

The boiler is suitable for connection to a 2-wire on/off thermostat. The boiler is also suitable for a power stealing thermostat.

1. In the case of a room thermostat: install the thermostat in a reference room.
2. Connect the two-wire cable of the thermostat to the **On/Off OT** terminals of the connector.

■ Connecting an outside sensor

An outside sensor can be connected to the **Tout** terminals of the connector. In the case of an on/off thermostat, the boiler will control the temperature with the set point from the internal heating curve.

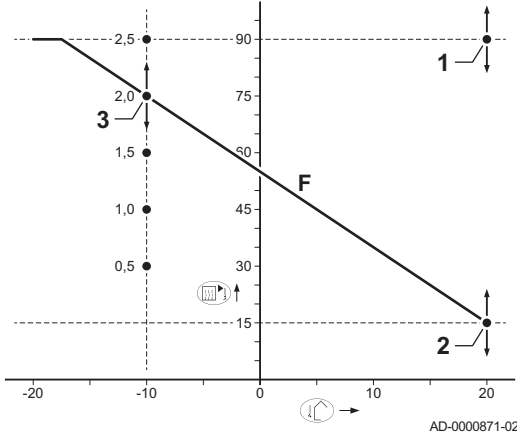
1. Connect the two-wire cable to the **Tout** terminals of the connector.



Important

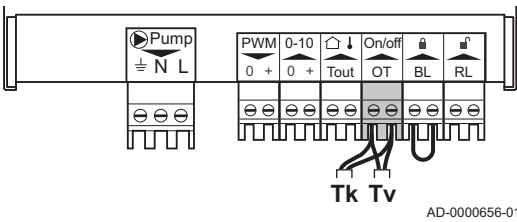
An **OpenTherm** regulator can also use this outside sensor. In that case, the desired heating curve must be set on the regulator.

Fig.29 Internal heating curve



- 1 Setting point (parameter `CP010`)
- 2 Comfort base point (parameter `CP210`)
- 3 Gradient (parameter `CP230`)
- F Heating curve
- Outside temperature
- Flow temperature

Fig.30 Frost thermostat



■ Frost protection combined with on/off thermostat

- Tk On/off thermostat
- Tv Frost thermostat

When an on/off thermostat is used, the pipes and radiators in a frost-sensitive room can be protected by a frost thermostat. The radiator valve in the frost-sensitive room must be open.

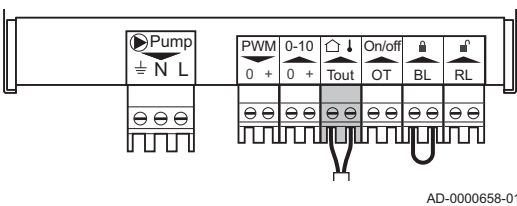
1. Place a frost thermostat (Tv) in a frost-sensitive room (e.g. a garage).
2. Connect the frost thermostat (Tv) parallel to the on/off thermostat (Tk) on the On/Off OT terminals of the connector.



Important

When an **OpenTherm** thermostat is used, it is not possible to connect a frost thermostat parallel to the On/Off OT terminals. In that case, implement frost protection of the central heating system in combination with an outside sensor.

Fig.31 Outside sensor



■ Frost protection combined with outside sensor

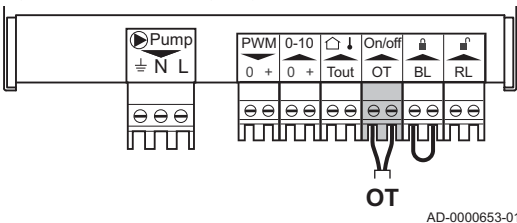
The central heating system can also be protected against frost in combination with an outside sensor. The radiator valve in the frost-sensitive room must be open.

1. Connect the outside sensor to the Tout terminals of the connector.

The frost protection works as follows with an outside sensor:

- At outside temperatures below -10 °C: the circulation pump switches on.
- At outside temperatures above -10 °C: the circulation pump continues to run and then switches off.

Fig.32 Modulating regulator



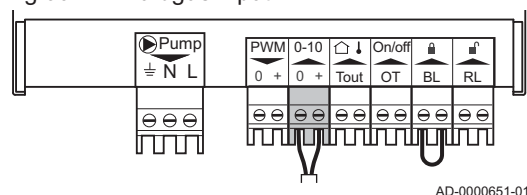
■ Connecting the modulating regulator

- OT OpenTherm regulator

The boiler is fitted with an **OpenTherm** connection as standard. As a result, modulating **OpenTherm** thermostats (room-temperature, weather-compensated and cascade thermostats) can be connected without further modifications. The boiler is also suitable for OpenTherm Smart Power.

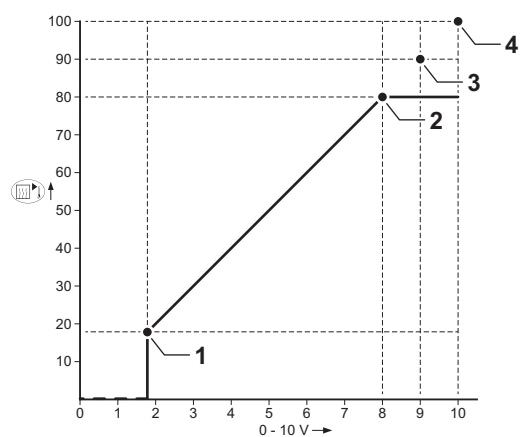
1. In the case of a room thermostat: install the thermostat in a reference room.
2. Connect the two-wire cable to the On/Off OT terminals of the connector. It does not matter which wire is connected to which cable clamp.

Fig.33 Analogue input



AD-0000651-01

Fig.34 Temperature regulation



AD-0001156-02

■ Analogue input

A choice can be made with this control between control based on temperature or heat output. If this input is used for 0-10 V control, the OT communication from the boiler is ignored.

1. Connect the input signal to terminals **0-10** of the connector.

Change the mode of the analogue input using the parameter `EPO14`.

- Analogue temperature regulation (°C)

- 1 Boiler on
- 2 Parameter `CPO10`
- 3 Maximum flow temperature
- 4 Calculated value

The 0-10 V signal controls the boiler supply temperature. This control modulates on the basis of flow temperature. The output varies between the minimum and maximum value on the basis of the flow temperature set point calculated by the controller.

Tab.18 Temperature regulation

Input signal (V)	Temperature °C	Description
0-1.5	0-15	Boiler off
1.5-1.8	15-18	Hysteresis
1.8-10	18-100	Desired temperature

- Analogue output-based control

The 0 - 10 V signal controls the boiler output. This control modulates on the basis of the heat output. The minimum output is linked to the boiler's modulation depth. The output varies between the minimum and maximum value on the basis of the value defined by the controller.

Tab.19 Control based on heat output

Input signal (V)	Heat output (%)	Description
0-2.0	0	Boiler off
2.0-2.2	0	Heat demand
2.0-10	0-100	Desired heat output

■ Blocking input

The boiler has a blocking input. This input relates to the **BL** terminals of the connector.

Change the function of the input using parameter `AP001`.



Warning

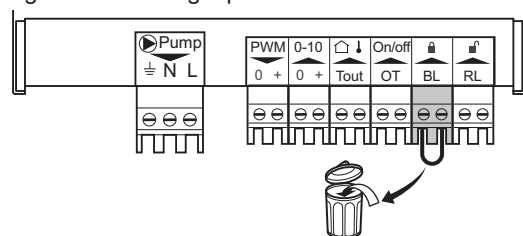
Only suitable for potential-free contacts.



Important

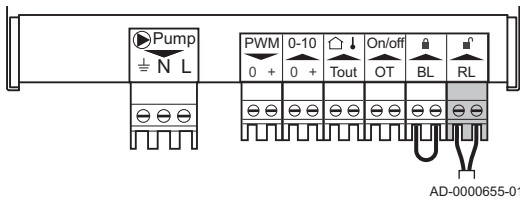
First remove the bridge if this input is used.

Fig.35 Blocking input



AD-0000652-01

Fig.36 Release input



■ Release input

The boiler has a release input. This input relates to the **RL** terminals of the connector.

Change the function of the input using parameter **RP008**.

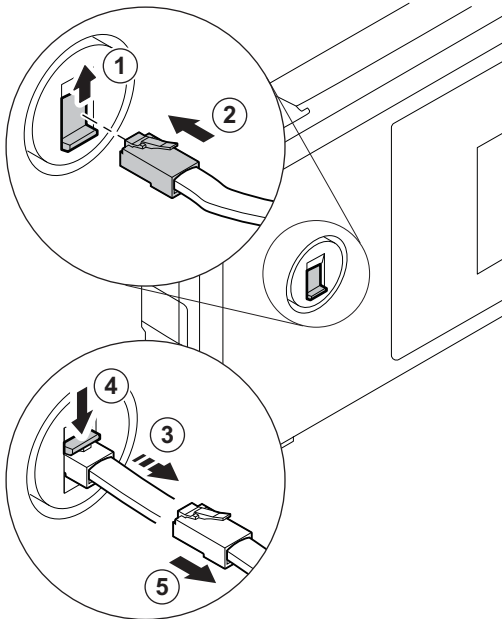


Warning

Only suitable for potential-free contacts.

6.7 Connecting a PC/laptop

Fig.37 Connecting an interface connector



There is a **Service** connector next to the control panel. A **Recom** interface can be used to connect a PC, laptop or a Smart Service Tool here. Using the **Recom** PC/laptop service software, you can enter, change and read out various boiler settings.

Connecting an interface connector:

1. Move the Service connector slide upwards.
2. Push the interface connector into place. It should snap shut with a click.
⇒ Disconnect the interface connector again:
3. Maintain slight tension on the interface connector
4. Push the slide downwards. The interface connector will now be released.
5. Pull the interface connector from the connector.

6.8 Filling the installation

6.8.1 Water treatment

In many cases, the boiler and central heating system can be filled with normal tap water and water treatment will not be necessary.



Warning

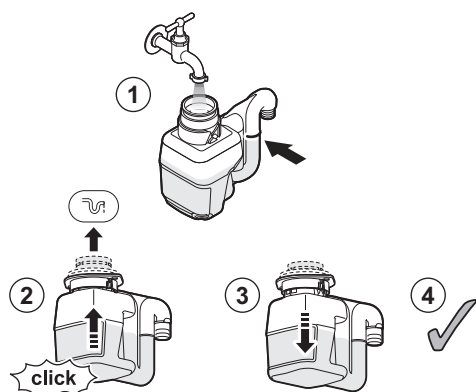
Do not add chemical agents to the central heating water without consulting Remeha. For example: antifreeze, water softeners, pH-increasing or lowering agents, chemical additives and/or inhibitors. Such agents can cause errors in the boiler and damage to the heat exchanger.



Important

- For untreated water, the pH value of the water in the installation must be between 7 and 9 and for treated water between 7 and 8.5.
- The maximum hardness of the water in the installation must be between 0.5 and 20.0 °dH (dependent on the total heat output generated).
- More information is available in our **Water quality regulations**. Always adhere to the instructions in the aforementioned document.


Fig.38 Filling the siphon



AD-0000231-02

6.8.2 Filling the siphon

The siphon is supplied separately with the boiler as standard (including a flexible plastic drain hose and a transparent extension hose for the automatic air vent). Fit the siphon under the boiler.

1. Fill the siphon with water up to the mark.
2. Push the siphon firmly into the appropriate opening  underneath the boiler.
⇒ The siphon should snap shut with a click.
3. Carefully pull the siphon downwards.
4. Check whether the siphon is firmly fitted in the boiler.



Danger

The siphon must always be sufficiently filled with water. This prevents flue gases from entering the room.

6.8.3 Filling the system



Important

In order to be able to read off the water pressure from the control panel, the boiler must be switched on. If the water pressure is too low, the boiler or the boiler pump will not start.

1. Fill the central heating system with clean tap water.



Important

The recommended water pressure is between 1.5 and 2 bar.

2. Check the water-side connections for tightness.

7 Commissioning

7.1 Checklist before commissioning

7.1.1 Preparing the boiler for commissioning

Procedure to prepare the boiler for commissioning

1. Check the gas circuit.
2. Check the hydraulic circuit.
3. Check the water pressure in the central heating installation.
4. Check the electrical connections of the thermostat and the other external connections.
5. Check the other connections.
6. Test the boiler at full load. Check the setting of the gas/air ratio.
7. Test the boiler at part load. Check the setting of the gas/air ratio.
8. Final activities.



Important

Complete the checklist.

7.1.2 Gas circuit



Warning

Ensure that the boiler is disconnected from the power supply.

1. Open the main gas tap.
2. Open the gas tap under the boiler.
3. Check the gas inlet pressure at the measuring point on the gas pipe.

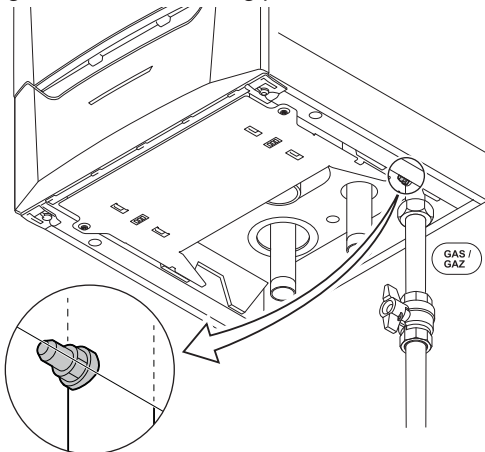


Warning

For authorized gas pressures, see: Unit categories, page 12

4. Vent the gas supply pipe by unscrewing the measuring point.
5. Tighten the measuring point again when the pipe has been fully vented.
6. Check all connections for gas tightness. The test pressure may be a maximum of 60 mbar.

Fig.39 Gas measuring point



AD-0000121-01

7.1.3 Hydraulic circuit

1. Check the siphon; it should be fully filled with clean water.
2. Check the water-side connections for tightness.

7.1.4 Electrical connections

1. Check the electrical connections.

7.2 Commissioning procedure



Warning

- Initial commissioning must be done by a qualified professional.
- If adapting to another type of gas, e.g. propane, the boiler must be adjusted before switching it on.

1. Open the main gas tap.
2. Open the gas tap under the boiler.
3. Switch the power on with the boiler's on/off switch.

4. Set the components (thermostats, control) so that heat is demanded.
 - ⇒ The start-up program will start and cannot be interrupted. During the start-up cycle, all segments of the display are shown briefly.

Error during start-up procedure:

In the event of a fault, a message with the corresponding code is displayed.

The meaning of the error codes can be found in the error table.



See

Manual for the control panel.

7.3 Gas settings

7.3.1 Adjusting to a different gas type



Warning

Only a qualified engineer may carry out the following operations.

The factory setting of the boiler is for operation with the natural gas group G20 (H gas).

Before operating with a different type of gas, carry out the following steps:

1. Fit the gas diaphragm in the gas block. If the boiler is modified, for G30/G31 (butane/propane):

Tab.20 Gas diaphragm for G30/G31 (butane/propane)

Gas diaphragm for G30/G31 (butane/propane)	Ø (mm)
Quinta Ace 160	9.0

2. Set the fan speed as indicated in the table (if necessary). The setting can be changed with a parameter setting.
3. Check the setting of the gas/air ratio.



See

Checking/setting combustion, page 41

Fig.40 Installing gas diaphragm

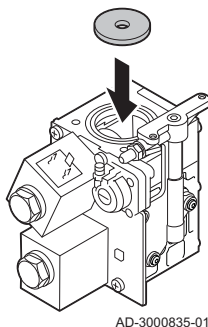
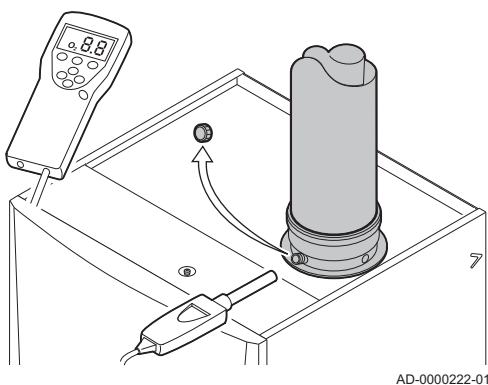


Fig.41 Flue gas measuring point



7.3.2 Checking/setting combustion

1. Unscrew the cap from the flue gas measuring point.
2. Insert the probe for the flue gas analyser into the measurement opening.



Warning

During measurement, seal the opening around the sensor fully.



Important

The flue gas analyser must have a minimum accuracy of $\pm 0.25\%$ O_2/CO_2 .



Important

The flue gas analyser must meet the requirements of BS 7927 or BS-EN 503793 and be calibrated according to the manufacturer's requirements.

3. Measure the percentage of O_2/CO_2 in the flue gases. Take measurements at full load and at low load.



Important

Measurements must be taken with the front casing off.

■ **Checking/setting values for O₂/CO₂ at full load**

1. Set the boiler to full load.



See
Manual for the control panel.

2. Measure the percentage of O₂/CO₂ in the flue gases.
3. Compare the measured value with the checking values in the table.

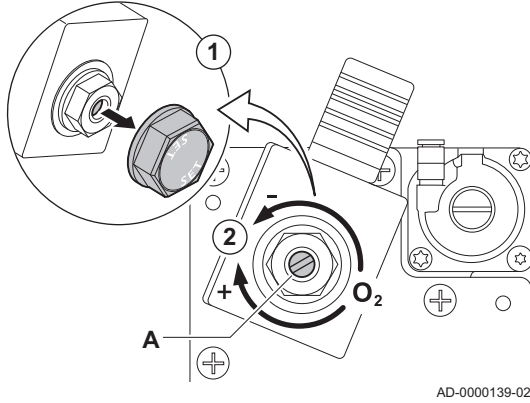
Tab.21 Checking/setting values for O₂/CO₂ at full load for G20 (H gas)

Values at full load for G20 (H gas)	O ₂ (%)	CO ₂ (%)
Quinta Ace 160	4.8 - 5.2 ⁽¹⁾	8.8 ⁽¹⁾ - 9.0
(1) Nominal value		

Tab.22 Checking/setting values for O₂/CO₂ at full load for G30/G31 (butane/propane)

Values at full load for G30/G31 (butane/propane)	O ₂ (%)	CO ₂ (%)
Quinta Ace 160	5.1 - 5.4 ⁽¹⁾	10.2 ⁽¹⁾ - 10.4
(1) Nominal value		

Fig.42 Position of adjusting screw A



Caution

- The O₂ values at full load must be lower than the O₂ values at low load.
- The CO₂ values at full load must be higher than the CO₂ values at low load.

4. If the measured value is outside of the values given in the table, correct the gas/air ratio.
5. Using the adjusting screw **A**, set the percentage of O₂/CO₂ for the gas type being used to the nominal value. This should always be inside the highest and lowest setting limit.

■ **Checking/setting values for O₂/CO₂ at low load**

1. Set the boiler to part load.



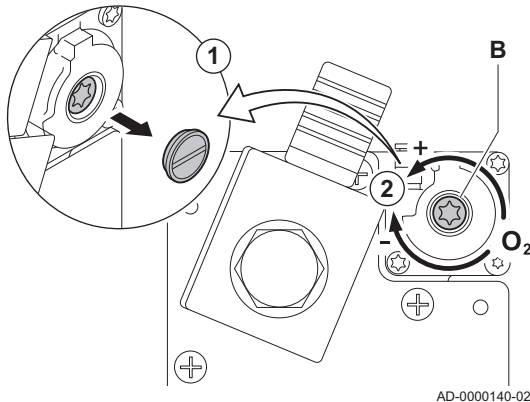
See
Manual for the control panel.

2. Measure the percentage of O₂/CO₂ in the flue gases.
3. Compare the measured value with the checking values in the table.

Tab.23 Checking/setting values for O₂/CO₂ at low load for G20 (H gas)

Values at part load for G20 (H gas)	O ₂ (%)	CO ₂ (%)
Quinta Ace 160	5.2 ⁽¹⁾ - 5.6	8.6 - 8.8 ⁽¹⁾

Fig.43 Position of adjusting screw B



Values at part load for G20 (H gas)	O ₂ (%)	CO ₂ (%)
(1) Nominal value		

Tab.24 Checking/setting values for O₂/CO₂ at low load for G30/G31 (butane/propane)

Values at low load for G30/G31 (butane/propane)	O ₂ (%)	CO ₂ (%)
Quinta Ace 160	5.4 ⁽¹⁾ - 5.7	10.0 - 10.2 ⁽¹⁾
(1) Nominal value		



Caution

- The O₂ values at low load must be higher than the O₂ values at full load.
- The CO₂ values at low load must be lower than the CO₂ values at full load.

4. If the measured value is outside of the values given in the table, correct the gas/air ratio.
5. Using the adjusting screw **B**, set the percentage of O₂/CO₂ for the gas type being used to the nominal value. This should always be within the maximum and the minimum setting limits.

7.4 Final instructions

1. Remove the measuring equipment.
2. Screw the cap on to the flue gas measuring point.
3. Put the front casing back. Tighten the two screws by a quarter of a turn.
4. Heat the CH system up to approximately 70°C.
5. Switch the boiler off.
6. Vent the central heating system after approx. 10 minutes.
7. Turn on the boiler.
8. Check the water pressure. If necessary: top up the central heating system.
9. Specify the gas type used on the type plate.
10. Instruct the user in the operation of the system, boiler and controller.
11. Inform the user of the maintenance to be performed.
12. Hand over all manuals to the user.
13. Confirm the commissioning with a signature and a company stamp.
⇒ The boiler is now ready for operation.



Important

The boiler is delivered with set values for the parameters. These factory settings are set to suit the most common central heating systems. The parameters can be changed for deviating systems and situations.



See

Manual for the control panel.



Important

Complete the checklist.

8 Operation

8.1 Use of the control panel

The display on the control panel provides information about the operating status of the boiler and any errors. A maintenance message may also appear on the display.

The control panel manual provides information about the use of the panel, changing and reading out parameters, the meaning of error codes and how to clear the error memory.



See

Manual for the control panel.

8.2 Shutdown

If the central heating is not due to be used for a long period of time, it is recommended that the boiler be disconnected from the power supply.

1. Switch off the boiler's electrical connection.
2. Shut off the gas supply.
3. Keep the area frost-free.

8.3 Frost protection



Caution

- Drain the boiler and central heating system if you are not going to use your home or the building for a long time and there is a chance of frost.
- The frost protection does not work if the boiler is out of operation.
- The built-in boiler protection is only activated for the boiler and not for the system and radiators.
- Open the valves of all the radiators connected to the system.

Set the temperature control low, for example to 10°C.

If there is no heat demand, the boiler will only switch on to protect itself against frost.

If the temperature of the central heating water in the boiler drops too low, the built-in boiler protection system is activated. This system works as follows:

- At a water temperature lower than 7°C, the heating pump starts.
- If the water temperature is lower than 4°C, the boiler switches on.
- If the water temperature is higher than 10°C the boiler switches off and the circulation pump continues to run for a short time.

To prevent the system and radiators freezing in frost-sensitive areas (e.g. a garage), a frost thermostat or outside sensor can be connected to the boiler.

9 Settings

9.1 Description of the user level parameters

Tab.25 Factory settings

Parameter	Text display	Adjustment range	160
AP016	Enable or disable central heating heatdemand processing	0 = Off 1 = On	1
AP017	Enable or disable domestic hot water heatdemand processing	0 = Off 1 = On	1
AP081	Shortname of the device		CU6
CP080	User Room Setpoint Zone Activity temperature	5 °C - 30 °C	16
CP081	User Room Setpoint Zone Activity temperature	5 °C - 30 °C	20
CP082	User Room Setpoint Zone Activity temperature	5 °C - 30 °C	6
CP083	User Room Setpoint Zone Activity temperature	5 °C - 30 °C	21
CP084	User Room Setpoint Zone Activity temperature	5 °C - 30 °C	22
CP085	User Room Setpoint Zone Activity temperature	5 °C - 30 °C	20
CP320	Operating mode of the zone	0 = Scheduling 1 = Manual 2 = Antifrost 3 = Temporary	1
CP550	Fire Place mode is active	0 = Off 1 = On	0
CP570	Time Program of the zone selected by the user	0 = Schedule 1 1 = Schedule 2 2 = Schedule 3 3 = Cooling	0
CP660	Choice icon to display this zone	0 = None 1 = All 2 = Bedroom 3 = Livingroom 4 = Study 5 = Outdoor 6 = Kitchen 7 = Basement	1

9.2 Description of the installer level parameters

Tab.26 Factory settings

Parameter	Text display	Adjustment range	160
AP001	Blocking input setting (1: Full blocking, 2: Partial blocking, 3: User reset locking)	1 = Full blocking 2 = Partial blocking 3 = User reset locking 4 = Backup Relieved 5 = Heat Pump Relieved 6 = Heat Pump And backup Relieved 7 = High Tariff Low Tariff 8 = Photovoltaic Heat Pump Only 9 = Photovoltaic Heat Pump And backup 10 = Smart Grid ready 11 = Heating Cooling	1

Parameter	Text display	Adjustment range	160
AP006	The appliance will report low water pressure below this value	0 bar - 7 bar	0.7
AP008	The appliance will wait x sec (0=off) for the release contact to close in order to start the burner	0 Sec - 255 Sec	0
AP009	Burning hours before raising a service notification	0 Hours - 131070 Hours	17400
AP010	The type of service needed based on burn and powered hours	0 = No service notification 1 = Custom service notification 2 = ABC service notification	2
AP011	Hours powered to raise a service notification	24 Hours - 131070 Hours	17400
AP073	Outdoor temperature: upper limit for heating	1.5 °C - 60 °C	22
AP074	The heating is stopped. Hot water is maintained. Force Summer Mode	0 = Off 1 = On	0
AP079	Inertia of the building used for heat up speed	0 - 255	0
AP080	Outside temperature below which the antifreeze protection is activated	-32 °C - 10 °C	0
AP102	Configuration of the boiler pump as zone pump or system pump (feed lowloss header)	0 = No 1 = Yes	0
AP110	Parameter to activate the 2nd return sensor	0 = Inactive 1 = Active	0
CP000	Maximum Flow Temperature setpoint zone	0 °C - 90 °C	90
CP010	Zone flow temperature setpoint, used when the zone is set to a fixed flow setpoint.	0 °C - 90 °C	80
CP020	Functionality of the zone	0 = Disable 1 = Direct 2 = Mixing Circuit 3 = Swimming pool 4 = High Temperature 5 = Fan Convactor 6 = Domestic Hot Water tank 7 = Electrical Domestic Hot Water 8 = Time Program 9 = ProcessHeat 10 = Domestic Hot Water Layered 11 = Domestic Hot Water Boiler Internal tank	1
CP060	Wished room zone temperature on holiday period	5 °C - 20 °C	6
CP070	Max RoomTemperature limit of the circuit in reduced mode, that allows switching to comfort mode	5 °C - 30 °C	15
CP200	Manually setting the RoomTemperature setpoint of the zone	5 °C - 30 °C	20
CP210	Comfort footpoint of the temperature of heat curve of the circuit	15 °C - 90 °C	15
CP220	Reduced footpoint of the temperature of heat curve of the circuit	15 °C - 90 °C	15
CP230	Heating curve temperature gradient of the zone	0 - 4	2.5
CP240	Adjustment of the influence of the zone room unit	0 - 10	3
CP340	Type of Reduced Night Mode, stop or maintain heating of circuit	0 = Stop heat demand 1 = Continue heat demand	0
CP470	Setting of the screed drying program of the zone	0 Days - 30 Days	0
CP480	Setting of the start temperature of the screed drying programm of the zone	20 °C - 50 °C	20

Parameter	Text display	Adjustment range	160
CP490	Setting of the stop temperature of the screed drying programm of the zone	20 °C - 50 °C	20
CP670	Configuration of pairing room unit per zone		-
CP780	Selection of the control strategy for the zone	0 = Automatic selection on control strategy 1 = Room temperature control 2 = Outdoor temperature control 3 = Outdoor temperature control with room influence	1
DP010	Hysteresis for burner start in DHW mode	0 °C - 60 °C	7
DP011	Offset for burner stop in DHW mode	0 °C - 60 °C	5
DP015	Hysteresis on flow temperature setpoint in Combi DHW mode	0 °C - 60 °C	0
DP016	Offset on flow temperature setpoint in Combi DHW mode	0 °C - 60 °C	0
DP056	Prortional gain for process heat control on Central Heating	0 - 255	50
DP211	Integral gain for process heat control on Central Heating	0 - 255	20
EP014	Smart Control Board function 10 Volt PWM input	0 = Off 1 = Temperature control 2 = Power control	0
GP010	Gas Pressure Switch check on/off	0 = No 1 = Yes	0
GP021	Modulate back when delta temperature is large then this treshold	5 °C - 25 °C	25
GP022	Tau factor for average flow temperature calculation	0 - 255	1
GP024	Valve Proofing System check on / off	0 = No 1 = Yes	0
PP007	Minimum burner anticycling time	0 Min - 20 Min	3
PP012	Time at partial load after burner start	5 Sec - 180 Sec	30
PP015	Central heating pump post run time; 99 = Pump non stop.	1 Min - 99 Min	1
PP016	Maximum central heating pump speed (%)	20 % - 100 %	100
PP018	Minimum central heating pump speed (%)	20 % - 100 %	20
PP023	Hysteresis to start burner in heating mode	1 °C - 25 °C	10

Tab.27 Factory settings G20 (H-gas)

Parameter	Text display	Adjustment range	160
DP003	Maximum fan speed on Domestic Hot Water	1000 Rpm - 8500 Rpm	6700
GP007	Maximum fan speed during Central Heating mode	1000 Rpm - 8500 Rpm	6700
GP008	Minimum fan speed during Central Heating + Domestic Hot Water mode	900 Rpm - 8500 Rpm	1900
GP009	Fan speed at appliance start	900 Rpm - 5000 Rpm	2200

Tab.28 Adjustment for gas type G30/G31 (butane/propane)

Parameter	Text display	Adjustment range	160
DP003	Maximum fan speed on Domestic Hot Water	1000 Rpm - 8500 Rpm	6400
GP007	Maximum fan speed during Central Heating mode	1000 Rpm - 8500 Rpm	6400
GP008	Minimum fan speed during Central Heating + Domestic Hot Water mode	900 Rpm - 8500 Rpm	2150
GP009	Fan speed at appliance start	900 Rpm - 5000 Rpm	3000

Tab.29 Adjustment for CLV overpressure of 50 Pa for gas type G20 (H-gas)

Parameter	Text display	Adjustment range	160
GP008	Minimum fan speed during Central Heating + Domestic Hot Water mode	900 Rpm - 8500 Rpm	2200

Tab.30 Adjustment for CLV overpressure of 80 Pa for gas type G20 (H-gas)

Parameter	Text display	Adjustment range	160
GP008	Minimum fan speed during Central Heating + Domestic Hot Water mode	900 Rpm - 8500 Rpm	2400
GP009	Fan speed at appliance start	900 Rpm - 5000 Rpm	2400

Tab.31 Adjustment for CLV overpressure of 50 Pa for gas type G30/G31 (butane/propane)

Parameter	Text display	Adjustment range	160
GP008	Minimum fan speed during Central Heating + Domestic Hot Water mode	900 Rpm - 8500 Rpm	2350

Tab.32 Adjustment for CLV overpressure of 80 Pa for gas type G30/G31 (butane/propane)

Parameter	Text display	Adjustment range	160
GP008	Minimum fan speed during Central Heating + Domestic Hot Water mode	900 Rpm - 8500 Rpm	2600
GP009	Fan speed at appliance start	900 Rpm - 5000 Rpm	3000

9.3 Changing the parameters

The boiler's control unit is set for the most common central heating systems. These settings will ensure that virtually every central heating system operates effectively. The user or the installer can optimise the parameters as required.

**Caution**

Changing the factory settings may adversely affect the operation of the boiler.

9.4 Reading out measured values



9.4.1 Reading out current values (counters)

Tab.33 Counters

Value	Text display	Description
AC001	Number of hours that the appliance has been on mains power	0 Hours - 65534 Hours
AC002	Number of hours that the appliance has been producing energy since last service	0 Hours - 131068 Hours
AC003	Number of hours since the previous servicing of the appliance	24 Hours - 131068 Hours
AC004	Number of generator startings since the previous servicing.	0 - 65534
AC026	Counter that shows the number of pump running hours	0 Hours - 65534 Hours
AC027	Counter that shows the number of pump starts	0 - 65534
DC001	Total power consumption used by Domestic Hot Water	0 kW - 4294967295 kW
DC004	Number of burner starts for Domestic Hot Water	0 - 65534
DC005	Number of burner hours in Domestic Hot Water	0 Hours - 65534 Hours
GC007	Number of failed starts	0 - 65534
PC002	Total number of burner starts. For heating and domestic hot water	0 - 65534
PC003	Total number of burner hours. For heating and domestic hot water	0 Hours - 65534 Hours
PC004	Number of burner flame loss	0 - 65534

9.4.2 Reading out current values (signals)

Tab.34 Signals

Value	Text display	Description
AM001	Is the appliance currently in domestic hot water production mode.	0 = Off 1 = On
AM010	The current pump speed	0 % - 100 %
AM011	Is service currently required?	0 = No 1 = Yes
AM012	Current main status of the appliance.	 See Status and sub-status, page 51
AM014	Current sub status of the appliance.	 See Status and sub-status, page 51
AM015	Is the pump running?	0 = Inactive 1 = Active
AM016	Flow temperature of appliance.	-25 °C - 150 °C
AM017	The temperature of heat exchanger	-25 °C - 150 °C

Value	Text display	Description
AM018	Return temperature of appliance. The temperature of the water entering the appliance.	-25 °C - 150 °C
AM019	Water pressure of the primary circuit.	0 bar - 12 bar
AM022	On / Off heat demand	0 = Off 1 = On
AM024	Actual relative power of the appliance	0 % - 100 %
AM027	Instantaneous outside temperature	-60 °C - 60 °C
AM028	Value of the 0 to 10 Volt input. Meaning is dependant on the current input function setting.	0 V - 25 V
AM033	Next service indication	0 = None 1 = A 2 = B 3 = C 4 = Custom
AM036	Temperature of the exhaust gas leaving the appliance	0 °C - 250 °C
AM037	Status of the three way valve	0 = CH 1 = DHW
AM040	Temperature used for hot water control algorithms.	0 °C - 100 °C
AM044	Number of sensors supported by the device	0 - 255
AM045	Is a water pressure sensor present?	0 = No 1 = Yes
AM091	Seasonal mode active (summer / winter)	0 = Winter 1 = Winter system frost protection active 2 = Summer neutral band 3 = Summer
AM101	Internal system flow temperature setpoint	0 °C - 125 °C
AP078	Outside sensor detected in the application	0 = No 1 = Yes
CM030	Measure of the Room temperature of the zone	-60 °C - 60 °C
CM120	Zone Current Mode	0 = Scheduling 1 = Manual 2 = Antifrost 3 = Temporary
CM130	Current activity of the zone	0 = Anti frost 1 = Reduced 2 = Comfort 3 = Anti legionella
CM140	Open Therm Controller is connected to the zone	0 = No 1 = Yes
CM150	State of On Off Heat demand per zone	0 = No 1 = Yes
CM160	Presense of modulating heat demand per zone	0 = No 1 = Yes
CM170	Zone Open Therm smart power function is available	0 = No 1 = Yes
CM180	Presense of Room Unit in this zone	0 = No 1 = Yes
CM190	Wished room temperature setpoint of the zone	-60 °C - 60 °C
CM200	Displaying current operating mode of the zone	0 = Standby 1 = Heating 2 = Cooling

Value	Text display	Description
CM210	Current Outside Temperature of the zone	-60 °C - 60 °C
CM230	Outside Temperature average long time per zone	-60 °C - 60 °C
CM260	Measure of the room sensor temperature of the zone	-60 °C - 60 °C
GM001	Actual fan RPM	0 Rpm - 8500 Rpm
GM002	Actual fan RPM setpoint	0 Rpm - 8500 Rpm
GM004	Gas valve 1	0 = Open 1 = Closed
GM005	Gas valve 2	0 = Open 1 = Closed
GM006	Gas Pressure Switch status	0 = Open 1 = Closed
GM008	Actual flame current measured	0 µA - 25 µA
GM010	Available power in % of maximum	0 % - 100 %
GM012	Release signal for the CU	0 = No 1 = Yes
GM015	Valve Proving System switch open / closed	0 = Open 1 = Closed
GM044	Possible reason for Controlled Stop	0 = None 1 = Central Heating Blocking 2 = Domestic Hot Water Blocking 3 = Wait for burner start 4 = Flow temperature above absolute max 5 = Flow temperature above start temperature 6 = Heatexchanger temperature above start temperature 7 = Average flow temperature above start temperature 8 = Flow temperature above max setpoint 9 = Temperature difference too high 10 = Flow temperature above stop temperature 11 = Average flow temperature above stop temperature
NM001	Cascade system flow temperature	-60 °C - 125 °C
PM002	External winning Central Heating setpoint	0 °C - 125 °C

9.4.3 Status and sub-status

Tab.35 Status numbers

Status	
0	Standby
1	Heat Demand
2	Burner Start
3	Burning Central heating
4	Burning Dhw
5	Burner Stop
6	Pump Post Run
7	Cooling Active
8	Controlled Stop
9	Blocking Mode

Status	
10	Locking Mode
11	Load test min
12	Load test CH max
13	Load test DHW max
15	Manual Heat demand Central heating On
16	Boiler Frost Protection
17	DeAiration
18	Control unit Cooling
19	Reset In Progress
20	Auto Filling
21	Halted
200	Device Mode
254	Unknown

Tab.36 Sub-status numbers

Sub-status	
0	Standby
1	AntiCycling
2	CloseHydraulicValveRelay
3	ClosePump
4	WaitForBurnerStartConditions
10	CloseExtGasValveRelay
11	BurnerStartToGlueGasValveRpm
12	CloseFlueGasValveRelay
13	FanToPrePurge
14	WaitForReleaseSignal
15	BurnerOnCommandToSu
16	VpsTest
17	PreIgnition
18	Ignition
19	FlameCheck
20	Interpurge
30	NormalInternalSetpoint
31	LimitedInternalSetpoint
32	NormalPowerControl
33	PowerControlOnGradLevel1
34	PowerControlOnGradLevel2
35	PowerControlOnGradLevel3
36	PowerCtrlForFlameProtection
37	StabilizationTime
38	ColdStart

Sub-status	
39	ChResume
40	RemoverBurnerOnSuRequest
41	FanToPostPurge
42	OpenExtGasAndFlueGasValveRelay
43	BurnerStopFanToFLueGasValveRpm
44	StopFan
45	LimitedPowerOnTflueGas
46	AutoFillingInstallation
47	AutoFillingTopUp
60	PumpPostRunning
61	OpenPump
62	Open?HydraulicValveRelay
63	SetBoilerAntiCycleTimer
65	HeatPumpReleivedAndBackupOn
66	HeatPumpFlowOverMaxFlowTempAndBackupON
67	HeatPumpOffDuToExternalConditionAndBackupOn
68	HeatPumpOffDuToHybridAndBackupOn
69	DefrostingWithHeatPumpOnly
70	DefrostingWithBackupOnly
71	DefrostingWithHeatPumpAndBackup
72	PumpSourcePostRunAndBackupRun
73	HeatPumpFlowOverMaxTemperature
74	SourcePumpPostRun
75	HeatPumpOffDuToHumiditySensor
76	HeatPumpOffDuToWaterFlow
78	SetpointLimitedDuToHumiditySensor
79	HeatPumpAndBackupReleivedForHeatingAndDhw
80	HeatPumpRelevidForCooling
81	HeatPumpOffDuToOutsideTemperature
82	HeatPumpOffUnderrun
83	DeAirPumpOnAndValveCH
84	DeAirPumpOnAndValveDhw
85	DeAirPumpOffAndValveCH
86	DeAirPumpOffAndValveDhw
88	BLInputBackupLimited
89	BLInputHeatPumpLimited
90	BLInputBackupandHeatPumpLimited
91	BLInputLowTariff
92	BLInputPhotovoltaicWithHeatPumpOnly
93	BLInputPhotovoltaicWithHeatPumpAndBackup
94	BLInputSmartGrid

Sub-status	
95	Waiting for enough waterpressure
102	HeatPumpFreeCoolingModeChPumpInactive
103	HeatPumpFreeCoolingModeChPumpActive
104	SourcePumpPreRunning
200	Initialising Done
201	Initialising Csu
202	Initialising Identifiers
203	Initialising Blocking Parameters
204	Initialising Safety Unit
205	Initialising Blocking
254	StateUnknown
255	SubstateSuOutOfResets1HrWaitTimeActive

10 Maintenance

10.1 General

The boiler does not require a lot of maintenance. Nevertheless, the boiler must be inspected and maintained periodically. To determine the best time for servicing, the boiler is equipped with an automatic service message. The control unit determines when this service message appears. Depending on boiler use, the first service message appears no later than 3 years after installation of the boiler.



Caution

- Maintenance operations must be completed by a qualified installer.
- During inspection or maintenance work, always replace all gaskets of the disassembled parts.
- Replace defective or worn parts with original spare parts.
- An annual inspection is mandatory.

10.2 Maintenance message

The boiler display will clearly indicate that a service is required at the appropriate time.



See

Manual for the control panel

Use the automatic service message for preventive maintenance, to keep faults to a minimum. The service messages show which service kit must be used. These service kits contain all parts and gaskets that are required for the relevant service. These service kits (A, B or C), put together by Remeha, are available from your spare parts supplier.



Important

- A service message must be followed up within 2 months. Therefore, call your installer as soon as possible.
- If the iSense modulating controller is connected to the boiler, this maintenance message can also be forwarded to the iSense. Consult the manual for the regulator.



Caution

Reset the maintenance message following every service.

10.2.1 Resetting the service messages

A service message on the boiler display must be reset by a qualified installer within two months after the indicated maintenance service has been carried out using the relevant service set and after this has been entered in the checklist. Proceed as follows:

1. Perform the service with the specified service kit (A, B or C).
2. Note the service in the corresponding checklist.



See

Appendix, page 75

3. Reset the service message.



See

Manual for the control panel

10.2.2 Starting a new service interval

For an interim service it is advisable to read out in the boiler service menu what maintenance service should be carried out. Use the indicated Remeha service kits (A, B or C). This service message must be prevented by carrying out a reset. Start the next service interval. Proceed as follows:

1. In the Service menu of the boiler, read which service should be performed.



See
Manual for the control panel

2. Perform the service with the specified service kit (A, B or C).
3. Note the service in the corresponding checklist.



See
Appendix, page 75

4. Reset the service message.
⇒ This prevents this service message from appearing automatically after all.
5. Start the next service interval.

10.3 Standard inspection and maintenance operations



Warning
Always wear safety goggles and a dust mask during cleaning work (involving compressed air).

For a service, always perform the following standard inspection and maintenance operations.



Caution

- Check whether all gaskets have been positioned properly (absolutely flat in the appropriate groove means they are gas tight).
- During the inspection and maintenance operations, water (drops, splashes) must never come into contact with the electrical parts.

10.3.1 Checking the water pressure

1. Check the water pressure.



Important
The water pressure is shown on the display of the control panel.

- ⇒ The water pressure must be at least 0.8 bar
2. If the water pressure is lower than 0.8 bar, top up the central heating system.

10.3.2 Checking the water quality

1. Fill a clean bottle with some water from the system/boiler from the filling and drain cock.
2. Check the quality of this water sample or have it checked.



See
More information is available in our **Water quality instructions**. This manual forms part of the set of documents supplied with the boiler. Always adhere to the instructions in the aforementioned document.

10.3.3 Checking the ionisation current

1. Check the ionisation current at full load and at part load.



See

Manual for the control panel.

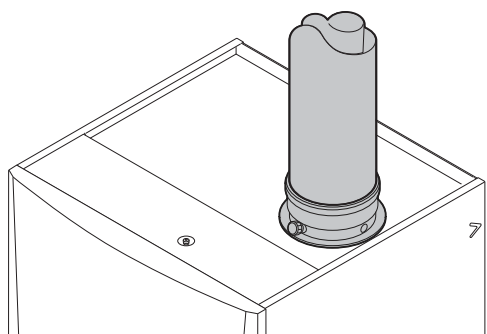
⇒ The value is stable after 1 minute.

2. Clean or replace the ionisation/ignition electrode if the value is lower than 4 μA .

10.3.4 Checking the flue gas discharge/air supply connections

1. Check the flue gas discharge and air supply connections for condition and tightness.

Fig.44 Checking flue gas discharge/air supply connections



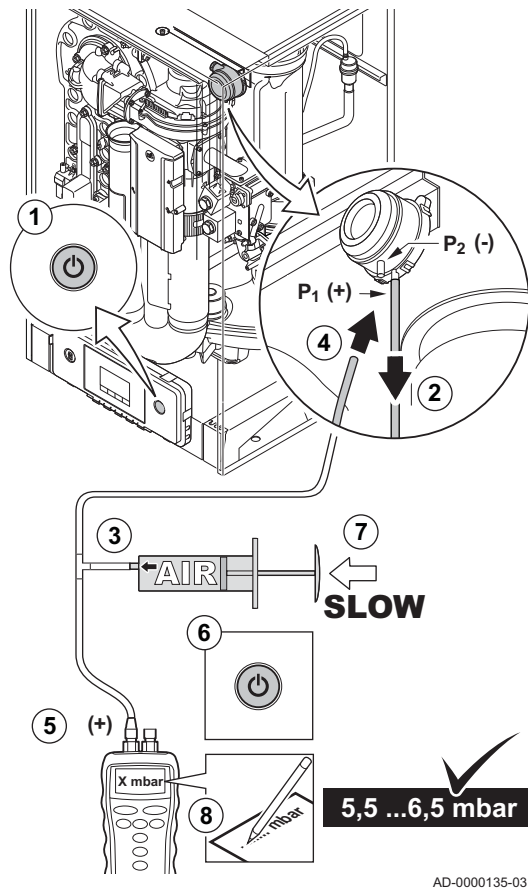
AD-0000223-01

10.3.5 Checking the combustion

Combustion is checked by measuring the O_2/CO_2 percentage in the flue gas outlet duct.

10.3.6 Checking the PS air pressure differential switch

Fig.45 Check the air pressure differential switch + side



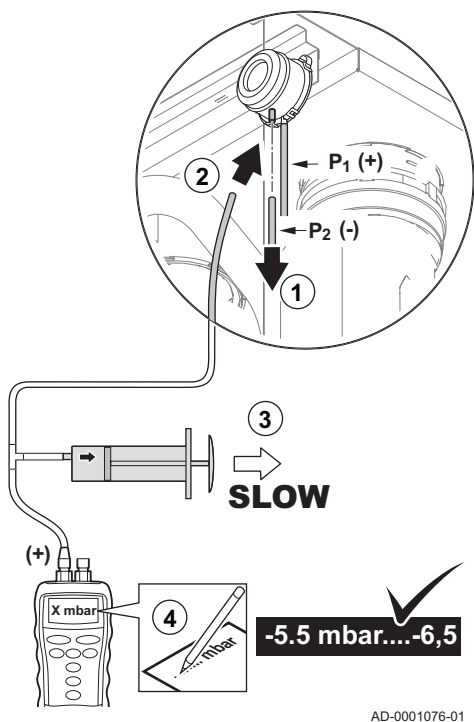
■ Checking the air pressure differential switch + side

1. Switch off the boiler.
2. Disconnect the silicon hose on the + side (P1) of the air pressure differential switch.
3. Take a large plastic syringe or bellows and connect a T piece with a hose connected.
4. Connect the + side of the air pressure differential switch to one end of the T piece with a hose.
5. On the other end of the T piece, connect the + side of a pressure gauge.
6. Turn on the boiler
7. Push the syringe or bellows in very slowly until the boiler goes into failure mode.
8. Make a note of the pressure indicated by the pressure gauge at that point. A switch pressure of between 5.5 and 6.5 mbar is fine. A lower or higher switch pressure indicates a problem with the air pressure differential switch.
9. After taking a measurement, detach the silicon hose from the T piece on the + side and reconnect the hose that was previously removed.

Caution
 Please note: The + side (P1) is the rear connector nipple of the air pressure differential switch.

10. Remove any soiling from all connection points for hoses and the air pressure differential switch.
11. Check the condition and tightness of the hoses of the air pressure differential switch. Replace the hoses if necessary.

Fig.46 – side of the air pressure differential switch

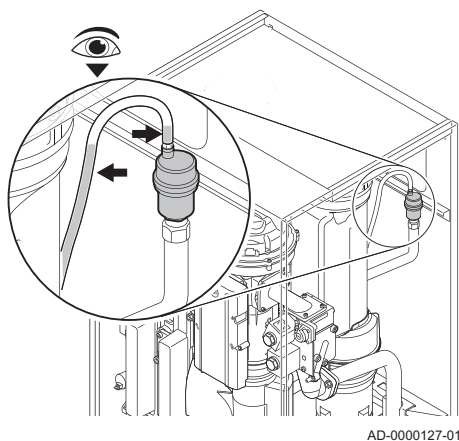


■ Checking the air pressure differential switch – side

1. Disconnect the short, coloured silicon hose on the – side (P2) of the air pressure differential switch.
2. Connect the – side of the air pressure differential switch to one end of the T piece with a hose.
3. Pull out the syringe until the boiler goes into failure mode.
4. Make a note of the pressure indicated by the pressure gauge at that point.
 ⇒ A switch pressure of between - 5.5 and - 6.5 mbar is fine. A lower or higher switch pressure indicates a problem with the air pressure differential switch.
5. After taking a measurement, detach the silicon hose from the T-piece on the – side and reconnect the coloured hose that was previously removed.
6. Remove any soiling from all connection points for hoses and the air pressure differential switch.
7. Check the condition and tightness of the hoses of the air pressure differential switch.
 ⇒ Replace the hoses if necessary.

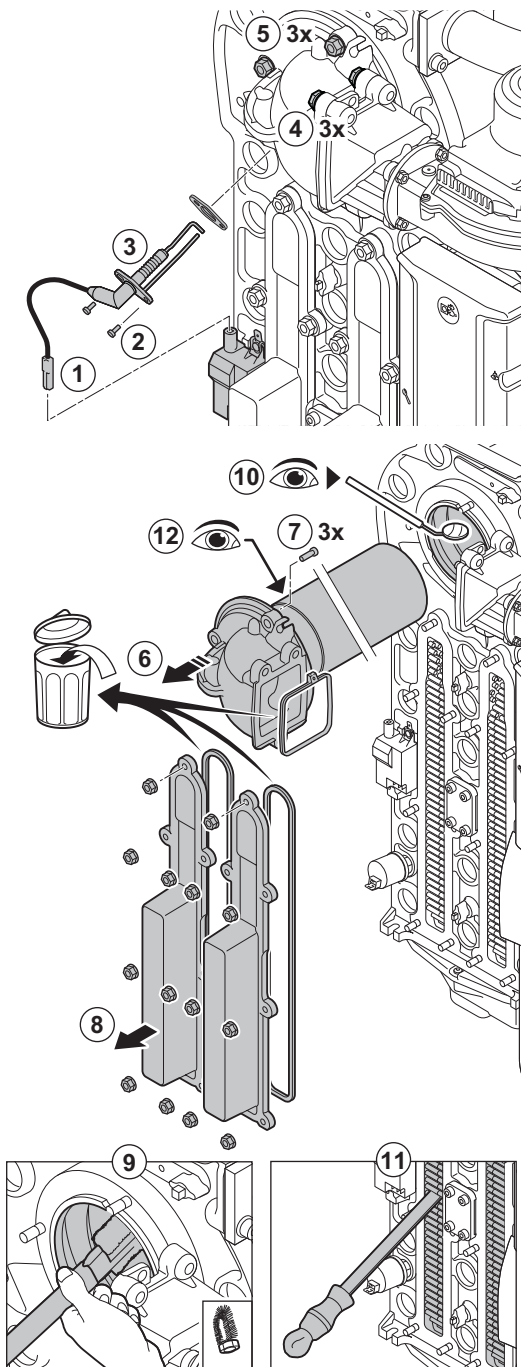
10.3.7 Checking the automatic air vent

Fig.47 Checking the automatic air vent



1. Check the hose on top of the air vent.
2. The automatic air vent is leaking if water can be seen in the connected hose.
3. In the event of a leak, replace the air vent.

Fig.48 Checking the burner



AD-0000128-02

10.3.8 Checking the burner and cleaning the heat exchanger

1. Disconnect the plug of the ionisation/ignition electrode from the ignition transformer.



Caution

The ignition cable is fixed to the ionisation/ignition electrode and therefore may not be removed.

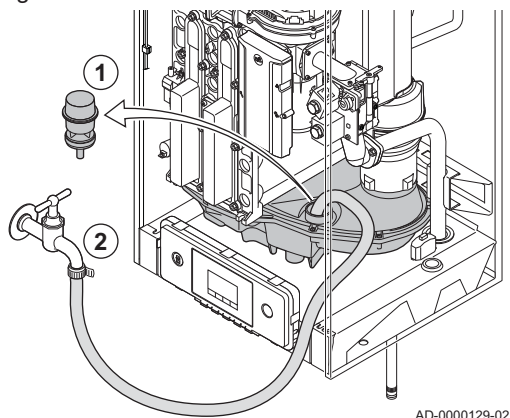
2. Loosen the 2 screws of the ionisation/ignition electrode.
3. Remove the ionisation/ignition electrode from the heat exchanger.
4. Undo the 3 bolts from the adapter on the non-return valve holder (15 Nm torque).
5. Undo the 3 nuts from the adapter on the heat exchanger (15 Nm torque).
6. Carefully remove the adapter with burner from the heat exchanger.
7. Remove the 3 bolts from the burner on the adapter and dismantle the burner.
8. Undo the nuts on the inspection ports (7.5 Nm torque).
⇒ Remove the inspection ports to reach the heat exchanger.
9. Use a vacuum cleaner to clean the top part of the heat exchanger (furnace).
10. Check (e.g. using a mirror) whether any visible contamination has been left behind. If it has, remove it with the vacuum cleaner.
11. Clean the lower section of the heat exchanger with the special cleaning blade (accessory).
12. Burner maintenance is almost never required; it is self-cleaning:
 - If necessary, carefully clean the cylinder-shaped burner with compressed air.
 - Check that the burner cover of the dismantled burner is free from cracks and/or damage. If not, replace the burner.
13. Reassemble the unit in the reverse order.
14. Open the gas supply and insert the plug in the socket again.



Caution

- Use the specified torques when fitting nuts and bolts.
- Make sure the gaskets are in place when fitting nuts and bolts.

Fig.49 Clean the condensate collector



10.3.9 Clean the condensate collector

1. Remove the sealing cap from the condensate collector.
2. Rinse the condensate collector thoroughly with a water flow that is as large as possible.



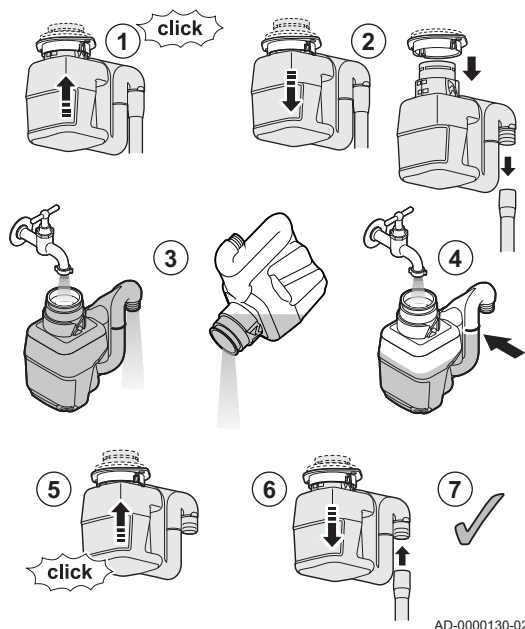
Warning


During rinsing, avoid penetration of water into the boiler or the control panel.

3. Put the sealing cap back on the condensate collector.
4. Disconnect the silicon hose of the air pressure differential switch from the connection nipple on the condensate collector.
5. Clean the opening of the connection nipple thoroughly (by blowing air or pushing an object through it).
6. Reconnect the silicon hose.

10.3.10 Cleaning the siphon

Fig.50 Cleaning the siphon



1. Push the siphon upwards:
⇒ The siphon should release with a click.
2. Carefully pull the siphon downwards.
3. Clean the siphon with water.
4. Fill the siphon with water up to the mark.
5. Push the siphon firmly into the designated opening  underneath the boiler.
⇒ The siphon should snap shut with a click.
6. Carefully pull the siphon downwards.
7. Check whether the siphon is firmly fitted in the boiler.



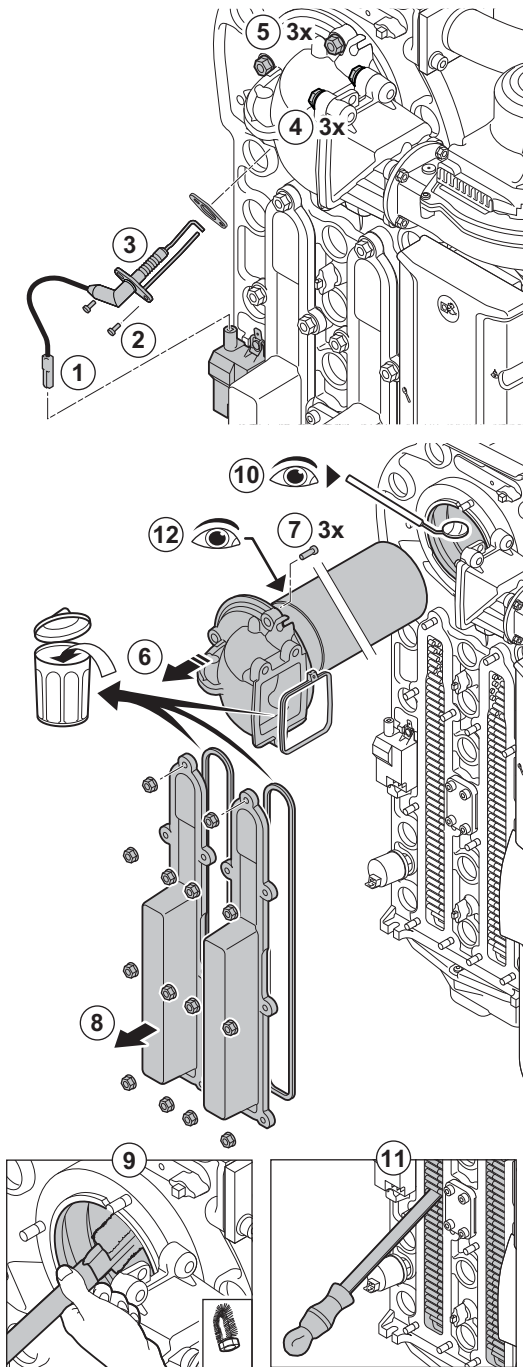
Danger

The siphon must always be filled with water. This prevents flue gases from entering the room.

10.4 Specific maintenance work

Perform the specific maintenance work if this proves to be necessary following the standard inspection and maintenance work. To conduct the specific maintenance work:

Fig.51 Replacing the ionisation/ignition electrode



AD-0000128-02

10.4.1 Replacing the ionisation/ignition electrode

The ionisation/ignition electrode must be replaced if:

- The ionisation current is $< 4 \mu\text{A}$.
- The electrode is damaged or worn.
- The electrode is included in the service kit.

1. Remove the plug of the electrode from the ignition transformer.



Important

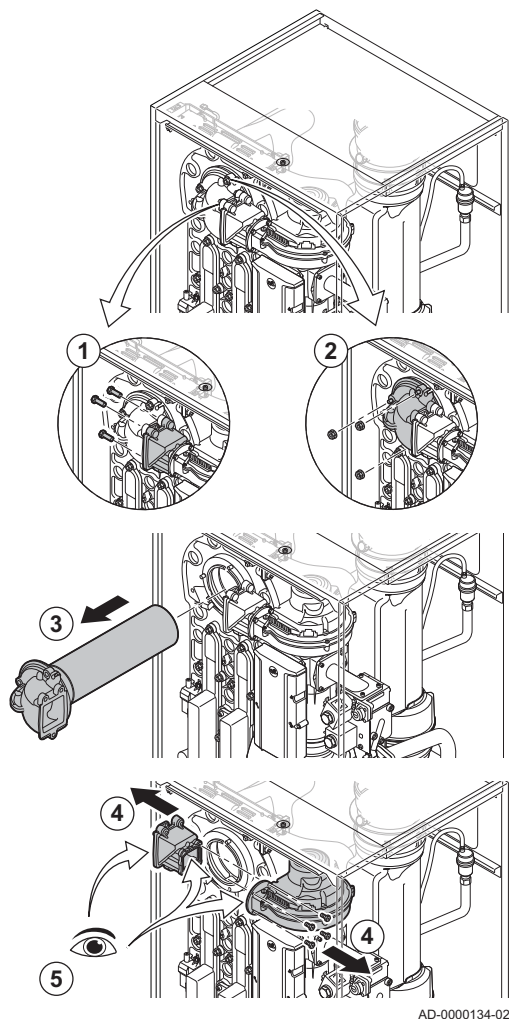
The ignition cable is fixed to the electrode and therefore may not be removed.

2. Unscrew the two screws on the electrode.
3. Remove the entire component.
4. Fit the new ionisation/ignition electrode.
5. Reassemble the unit in reverse order.

10.4.2 Checking the non-return valve

Check the condition of the non-return valve. Replace the non-return valve if it is defective, there is one in the service kit, or if there are traces of condensation on the inside of the fan. Do this as follows:

Fig.52 Checking the non-return valve



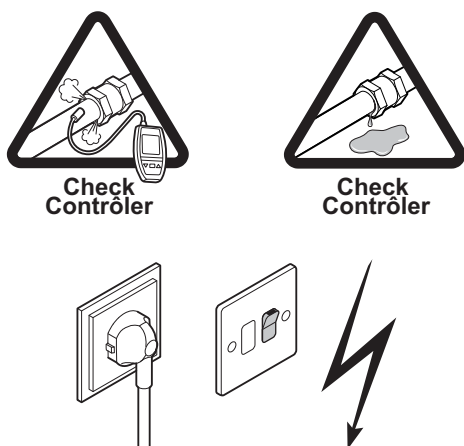
AD-0000134-02

1. Undo the 3 bolts from the adapter on the non-return valve holder (15 Nm torque).
2. Undo the 3 nuts from the adapter on the heat exchanger (15 Nm torque).
3. Carefully remove the adapter with burner from the heat exchanger.
4. Remove the 4 bolts from the fan and remove the non-return valve holder (5.5 Nm torque).
5. Check whether traces of condensation are visible on the inside of the fan. Replace the non-return valve if there are visible traces of condensation.
6. Inspect the non-return valve and replace it in the event of a defect or damage.
7. When replacing the non-return valve, loosen the fixing screw of the non-return valve and remove it.
8. Reassemble in the reverse order.

**Caution**

- Use the specified torques when fitting nuts and bolts.
- Make sure the gaskets are in place when fitting nuts and bolts.

Fig.53 Putting the boiler into operation



AD-0000132-01

10.4.3 Reassembling the boiler

1. Fit all removed parts in the reverse order.
2. During inspection or maintenance work, always replace all gaskets of the disassembled parts.
3. Check the tightness of the gas and water connections.
4. Put the boiler back into operation.

11 Disposal

11.1 Removal/recycling



Important

Removal and disposal of the boiler must be carried out by a qualified person in accordance with local and national regulations.

To remove the boiler, proceed as follows:

1. Switch off the boiler's electrical connection.
2. Shut off the gas supply.
3. Shut off the water supply.
4. Drain the installation.
5. Remove the siphon.
6. Remove the air supply/flue gas outlet pipes.
7. Disconnect all pipes on the boiler.
8. Remove the boiler.

12 Troubleshooting

12.1 Error codes

The boiler is fitted with an electronic regulation and control unit. The heart of the control system is a microprocessor, the **eSMART®**, which controls and also protects the boiler. In the event of an error, a corresponding code is displayed.

The meaning of the error codes can be found in the error table.



Important

Note the error code displayed. The error code is needed to find the cause of the error quickly and correctly and for any support from Remeha.

12.1.1 Warning

A warning is displayed if an error may occur. The control panel shows a warning code.



Note

The boiler continues to operate but the cause of the warning must be investigated. A warning can result in the boiler becoming blocked or locked out.

Tab.37 Warning codes

Code	Text display	Possible cause/check
A01.21	Maximum Dhw Temperature Gradient Level3 Exceeded	Temperature warning: • Check the flow.
A02.06	Water Pressure Warning active	Water pressure warning: • Water pressure too low; check the water pressure.
A02.18	Object Dictionary Error	Configuration error: • Reset [M1] and [M2] .
A02.37	Uncritical device has been disconnected	SCB PCB not found: • Check the connection.
A02.45	Full Can Connection Matrix	SCB PCB not found: • Carry out an auto-detect.
A02.46	Full Can Device Administration	SCB PCB not found: • Carry out an auto-detect.
A02.49	Failed Initialising Node	SCB PCB not found: • Carry out an auto-detect.
A03.17	Periodically safety check ongoing	No action required; device restarts itself.

12.1.2 Blocking

Blocking occurs as a result of a fault. The control panel shows a blocking code.



Important

The boiler only starts up again only when the cause of the blocking has been rectified. Blocking can result in the boiler being locked out.

Tab.38 Blocking codes

Code	Text display	Possible cause/check
H00.36	Second return temperature sensor is either removed or measure a temperature below range	Second return temperature sensor open: <ul style="list-style-type: none"> • Bad connection: check the wiring and connectors. • Incorrectly fitted sensor: check that the sensor has been correctly fitted. • Faulty sensor: replace the sensor.
H00.37	Second return temperature sensor is either shorted or measure a temperature above range	Second return temperature sensor short-circuited: <ul style="list-style-type: none"> • Bad connection: check the wiring and connectors. • Incorrectly fitted sensor: check that the sensor has been correctly fitted. • Faulty sensor: replace the sensor.
H01.00	Communication Error occurred	Communication error with the CU-GH PCB: <ul style="list-style-type: none"> • Restart boiler
H01.06	Maximum difference between heat exchanger temperature and flow temperature	Maximum difference between heat exchanger and flow temperature exceeded: <ul style="list-style-type: none"> • No flow or insufficient flow: <ul style="list-style-type: none"> - Check the circulation (direction, pump, valves). - Check the water pressure. - Check the cleanliness of the heat exchanger. - Check that the installation has been correctly vented to remove air. • Sensor error: <ul style="list-style-type: none"> - Check that the sensors are operating correctly. - Check that the sensor has been fitted properly.
H01.07	Maximum difference between heat exchanger temperature and return temperature	Maximum difference between heat exchanger and return temperature exceeded: <ul style="list-style-type: none"> • No flow or insufficient flow: <ul style="list-style-type: none"> - Check the circulation (direction, pump, valves). - Check the water pressure. - Check the cleanliness of the heat exchanger. - Check that the installation has been correctly vented to remove air. • Sensor error: <ul style="list-style-type: none"> - Check that the sensors are operating correctly. - Check that the sensor has been fitted properly.
H01.08	Delta T Max 3	Maximum heat exchanger temperature increase has been exceeded: <ul style="list-style-type: none"> • No flow or insufficient flow: <ul style="list-style-type: none"> - Check the circulation (direction, pump, valves). - Check the water pressure. - Check the cleanliness of the heat exchanger. - Check that the installation has been correctly vented to remove air. • Sensor error: <ul style="list-style-type: none"> - Check that the sensors are operating correctly. - Check that the sensor has been fitted properly.
H01.09	Gas Pressure Switch	Gas pressure too low: <ul style="list-style-type: none"> • Gas pressure too low: <ul style="list-style-type: none"> - Check the gas supply pressure. - Check whether the gas tap is properly open. • Wiring fault: check the wiring. • Faulty gas valve: check the gas valve and replace it if necessary.

Code	Text display	Possible cause/check
H01.13	Heat Exchanger temperature has exceeded the maximum operating value	Maximum heat exchanger temperature exceeded: <ul style="list-style-type: none"> • Check the circulation (direction, pump, valves). • Check the water pressure. • Check that the sensors are operating correctly. • Check that the sensor has been fitted properly. • Check the cleanliness of the heat exchanger. • Check that the installation has been correctly vented to remove air.
H01.14	Flow temperature has exceeded the maximum operating value	Flow temperature sensor above normal range (high-limit thermostat): <ul style="list-style-type: none"> • Bad connection: check the wiring and connectors. • Incorrectly fitted sensor: check that the sensor has been correctly fitted. • Faulty sensor: replace the sensor. • No flow or insufficient flow: <ul style="list-style-type: none"> - Check the circulation (direction, pump, valves). - Check the water pressure. - Check the cleanliness of the heat exchanger.
H01.15	Flue gas temperature has exceeded the maximum operating value	Maximum flue gas temperature exceeded: <ul style="list-style-type: none"> • Faulty sensor: replace the sensor. • Check the flue gas outlet system • Check the heat exchanger to ensure that the flue gas side is not clogged.
H02.00	Reset In Progress	No action required; await reinitialisation.
H02.02	Waiting For Configuration Number	Configuration error or unknown configuration number: <ul style="list-style-type: none"> • Reset [M1] and [M2].
H02.03	Configuration Error	Configuration error or unknown configuration number: <ul style="list-style-type: none"> • Reset [M1] and [M2].
H02.05	CSU does not match CU type	Configuration error: <ul style="list-style-type: none"> • Reset [M1] and [M2].
H02.09	Partial blocking of the device recognized	Blocking input active or frost protection active: <ul style="list-style-type: none"> • External cause: remove external cause. • Wrong parameter set: check the parameters. • Bad connection: check the connection.
H02.10	Full blocking of the device recognized	Blocking input is active: <ul style="list-style-type: none"> • External cause: remove external cause. • Wrong parameter set: check the parameters. • Bad connection: check the connection.
H02.12	Release Signal input of the Control Unit from device external environment	Waiting time release signal has elapsed: <ul style="list-style-type: none"> • External cause: remove external cause. • Wrong parameter set: check the parameters. • Bad connection: check the connection.
H02.36	Functional device has been disconnected	Communication error with the SCB PCB: <ul style="list-style-type: none"> • Bad connection with BUS: check the wiring. • No PCB: reconnect PCB or retrieve from memory using auto-detect.
H03.00	Safety parameters level 2, 3, 4 are not correct or missing	Configuration error or unknown configuration number: <ul style="list-style-type: none"> • Reset [M1] and [M2]. • Replace the control panel if it is defective.
H03.01	No valid data from CU to GVC received	-

Code	Text display	Possible cause/check
H03.02	Measured ionisation current is below limit	No flame during operation: <ul style="list-style-type: none"> • No ionisation current: <ul style="list-style-type: none"> - Purge the gas supply to remove air. - Check whether the gas tap is properly open. - Checking the gas supply pressure. - Check the operation and setting of the gas valve unit. - Check that the air inlet and flue gas discharge flues are not blocked. - Check that there is no recirculation of flue gases.
H03.05	Gas Valve Control internal blocking occurred	-

12.1.3 Lock-out

A lock-out occurs as a result of a fault. The control panel shows a lock-out code.



Important

The boiler starts up again only when the cause of the lock-out has been rectified.

Tab.39 Lock out codes

Code	Text display	Possible cause/check
E00.00	Flow temperature sensor is either removed or measure a temperature below range	Flow temperature sensor open: <ul style="list-style-type: none"> • Bad connection: check the wiring and connectors. • Incorrectly fitted sensor: check that the sensor has been correctly fitted. • Faulty sensor: replace the sensor.
E00.01	Flow temperature sensor is either shorted or measure a temperature above range	Flow temperature sensor short circuited: <ul style="list-style-type: none"> • Bad connection: check the wiring and connectors. • Incorrectly fitted sensor: check that the sensor has been correctly fitted. • Faulty sensor: replace the sensor.
E00.04	Return temperature sensor is either removed or measure a temperature below range	Open circuit in return temperature sensor: <ul style="list-style-type: none"> • Bad connection: check the wiring and connectors. • Incorrectly fitted sensor: check that the sensor has been correctly fitted. • Faulty sensor: replace the sensor.
E00.05	Return temperature sensor is either shorted or measure a temperature above range	Return temperature sensor short-circuited: <ul style="list-style-type: none"> • Bad connection: check the wiring and connectors. • Incorrectly fitted sensor: check that the sensor has been correctly fitted. • Faulty sensor: replace the sensor.
E00.08	Heat exchanger temperature sensor is either removed or measure a temperature below range	Heat exchanger temperature sensor open: <ul style="list-style-type: none"> • Bad connection: check the wiring and connectors. • Incorrectly fitted sensor: check that the sensor has been correctly fitted. • Faulty sensor: replace the sensor.
E00.09	Heat exchanger temperature sensor is either shorted or measure a temperature above range	Heat exchanger temperature sensor short-circuited: <ul style="list-style-type: none"> • Bad connection: check the wiring and connectors. • Incorrectly fitted sensor: check that the sensor has been correctly fitted. • Faulty sensor: replace the sensor.

Code	Text display	Possible cause/check
E00.20	Flue gas temperature sensor is either removed or measure a temperature below range	Open circuit in flue gas sensor: <ul style="list-style-type: none"> • Bad connection: check the wiring and connectors. • Incorrectly fitted sensor: check that the sensor has been correctly fitted. • Faulty sensor: replace the sensor.
E00.21	Flue gas temperature sensor is either shorted or measure a temperature above range	Flue gas sensor short-circuited: <ul style="list-style-type: none"> • Bad connection: check the wiring and connectors. • Incorrectly fitted sensor: check that the sensor has been correctly fitted. • Faulty sensor: replace the sensor.
E00.40	Water pressure sensor is either removed or measure a temperature below range	Hydraulic pressure sensor open: <ul style="list-style-type: none"> • Bad connection: check the wiring and connectors. • Incorrectly fitted sensor: check that the sensor has been correctly fitted. • Faulty sensor: replace the sensor.
E00.41	Water pressure sensor is either shorted or measure a temperature above range	Hydraulic pressure sensor short-circuited: <ul style="list-style-type: none"> • Bad connection: check the wiring and connectors. • Incorrectly fitted sensor: check that the sensor has been correctly fitted. • Faulty sensor: replace the sensor.
E01.04	5x Error of unintended Flame Loss occurrence	Flame loss occurs 5 times: <ul style="list-style-type: none"> • Purge the gas supply to remove air. • Check whether the gas tap is properly open. • Check the gas supply pressure. • Check the operation and setting of the gas valve unit. • Check that the air inlet and flue gas discharge flues are not blocked. • Check that there is no recirculation of flue gases.
E01.12	Return temperature has a higher temperature value than the flow temperature	Flow and return reversed: <ul style="list-style-type: none"> • Bad connection: check the wiring and connectors. • Water circulation in wrong direction: check the circulation (direction, pump, valves). • Incorrectly fitted sensor: check that the sensor has been correctly fitted. • Malfunctioning sensor: check the Ohmic value of the sensor. • Faulty sensor: replace the sensor.
E02.04	Parameter Error	Configuration error or factory settings incorrect: <ul style="list-style-type: none"> • Parameters are not correct: <ul style="list-style-type: none"> - Restart boiler - Reset CN1 and CN2. - Replace the control panel if it is defective.
E02.13	Blocking Input of the Control Unit from device external environment	Blocking input is active: <ul style="list-style-type: none"> • External cause: remove external cause. • Wrong parameter set: check the parameters.
E02.15	External CSU Timeout	CSU time out: <ul style="list-style-type: none"> • Bad connection: check the wiring and connectors. • Faulty CSU: replace CSU.
E02.17	Gas Valve Control unit communication has exceeded feedback time	Communication error with the safety PCB: <ul style="list-style-type: none"> • Bad connection: check the wiring and connectors. • Control unit failure: replace the control unit.
E02.35	Safety critical device has been disconnected	-

Code	Text display	Possible cause/check
E02.47	Failed Connecting Function Groups	-
E02.48	Function Group Configuration Fault	-
E02.51	Parameter error from the Gvc	-
E02.52	Gvc Burner Profile Error	-
E04.00	Safety parameters Level 5 are not correct or missing	Safety parameters not OK: <ul style="list-style-type: none"> • Bad connection: check the wiring and connectors.
E04.01	Flow temperature sensor is either shorted or measuring a temperature above range	Flow temperature sensor short circuited: <ul style="list-style-type: none"> • Bad connection: check the wiring and connectors. • Incorrectly fitted sensor: check that the sensor has been correctly fitted. • Faulty sensor: replace the sensor.
E04.02	Flow temperature sensor is either removed or measuring a temperature below range	Flow temperature sensor open: <ul style="list-style-type: none"> • Bad connection: check the wiring and connectors. • Incorrectly fitted sensor: check that the sensor has been correctly fitted. • Faulty sensor: replace the sensor.
E04.03	Measured flow temperature above safety limit	<ul style="list-style-type: none"> • No flow or insufficient flow: <ul style="list-style-type: none"> - Check the circulation (direction, pump, valves). - Check the water pressure. - Check the cleanliness of the heat exchanger.
E04.04	Flue temperature sensor is either shorted or measuring a temperature above range	Flue gas temperature sensor short-circuited: <ul style="list-style-type: none"> • Bad connection: check the wiring and connectors. • Incorrectly fitted sensor: check that the sensor has been correctly fitted. • Faulty sensor: replace the sensor.
E04.05	Flue temperature sensor is either removed or measuring a temperature below range	Flue gas temperature sensor open: <ul style="list-style-type: none"> • Bad connection: check the wiring and connectors. • Incorrectly fitted sensor: check that the sensor has been correctly fitted. • Faulty sensor: replace the sensor.
E04.06	Measured flue temperature above limit	-
E04.07	Deviation in flow sensor 1 and flow sensor 2 detected	Flow temperature sensor deviation: <ul style="list-style-type: none"> • Bad connection: check the connection. • Faulty sensor: replace the sensor.
E04.08	Safety input is open	Air pressure differential switch activated: <ul style="list-style-type: none"> • Bad connection: check the wiring and connectors. • Pressure in flue gas duct is or was too high: <ul style="list-style-type: none"> - Non-return valve does not open. - Siphon blocked or empty. - Check that the air inlet and flue gas discharge flues are not blocked. - Check the cleanliness of the heat exchanger.
E04.09	Deviation in flue sensor 1 and flue sensor 2 detected	Flue gas temperature sensor deviation: <ul style="list-style-type: none"> • Bad connection: check the connection. • Faulty sensor: replace the sensor.

Code	Text display	Possible cause/check
E04.10	5 Unsuccessful burners starts detected	<p>Five failed burner starts:</p> <ul style="list-style-type: none"> • No ignition spark: <ul style="list-style-type: none"> - Check the wiring between the PCU electronic PCB and the ignition transformer. - Check that the SU electronic PCB is correctly in place. - Check the ionisation/ignition electrode. - Check breakdown to earth. - Check the condition of the burner set. - Check the earthing. - SU electronic PCB faulty: replace the electronic PCB. • Ignition spark but no flame: <ul style="list-style-type: none"> - Vent the gas pipes to remove air. - Check that the air inlet and flue gas discharge flues are not blocked. - Check whether the gas tap is properly open. - Check the gas supply pressure. - Check the operation and setting of the gas valve unit. - Check the wiring on the gas valve unit. - SU electronic PCB faulty: replace the electronic PCB. • Presence of the flame but insufficient ionization (<4 μA): <ul style="list-style-type: none"> - Check whether the gas tap is properly open. - Check the gas supply pressure. - Check the ionisation/ignition electrode. - Check the earthing. - Check the wiring on the ionization/ignition electrode.
E04.11	VPS Gas Valve proving failed	<p>Gas leakage control fault:</p> <ul style="list-style-type: none"> • Bad connection: check the wiring and connectors. • VPS gas leakage control defective: replace the GPS. • Gas valve unit faulty: replace the gas valve unit.
E04.12	False flame detected before burner start	<p>False flame signal:</p> <ul style="list-style-type: none"> • The burner remains very hot: Set the O₂ • Ionisation current measured but no flame should be present: check the ionisation/ignition electrode. • Faulty gas valve: replace the gas valve. • Faulty ignition transformer: replace the ignition transformer.
E04.13	Fan speed has exceeded normal operating range	<p>Fan fault:</p> <ul style="list-style-type: none"> • Bad connection: check the wiring and connectors. • Fan operates when it should not be operating: check for excessive chimney draught. • Faulty fan: replace the fan.
E04.14	The burner temperature and burner setpoint differ more than a parameter defined by the GVC for more	-
E04.15	The flue gas pipe is blocked	-
E04.17	The driver for the gas valve is broken	<p>Gas valve fault:</p> <ul style="list-style-type: none"> • Bad connection: check the wiring and connectors. • Faulty gas valve: replace the gas valve.
E04.18	The flow temperature is less than the minimum defined by the GVC parameter	-
E04.19	Mass Flow Sensor Communciation	-
E04.20	MassFlowSensor Deviation	-

Code	Text display	Possible cause/check
E04.21	Deviation in burner sensor 1 and burner sensor 2 detected	-
E04.23	Gas Valve Control internal locking	-
E04.24	No gas family found during gas family detection mode	-

12.2 Error memory

The boiler control unit has an error memory. It stores the last 32 errors that have occurred.

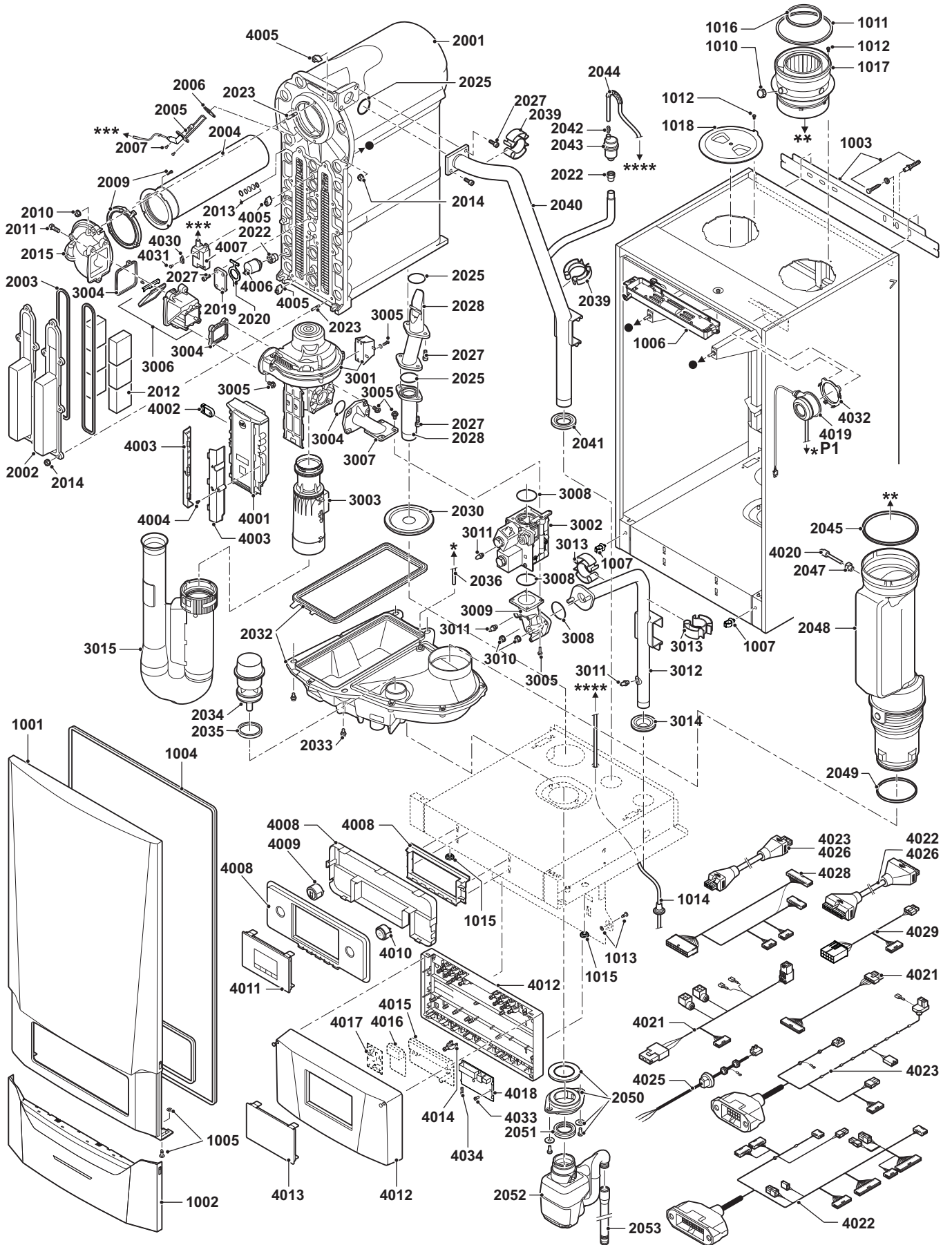
13 Spare parts

13.1 General

Only replace defective or worn boiler parts with original parts or recommended parts.

Send the part to be replaced to the Remeha Quality Control department if the relevant part is covered by the guarantee (see the General Terms of Sale and Delivery).

13.2 Parts



AD-0801160-01

14 Appendix

14.1 ErP information

14.1.1 Product fiche

Tab.40 Product fiche

Remeha - Quinta Ace		160
Seasonal space heating energy efficiency class		-
Rated heat output (<i>Prated or Psup</i>)	kW	152
Seasonal space heating energy efficiency	%	-
Annual energy consumption	GJ	-
Sound power level L_{WA} indoors	dB	63



See

For specific precautions in relation to assembly, installation and maintenance: Safety, page 6

14.2 EC declaration of conformity

The unit complies with the standard type described in the EC declaration of conformity. It has been manufactured and commissioned in accordance with European directives.

The original declaration of conformity is available from the manufacturer.

14.3 Checklist for commissioning

Tab.41 Checklist

No.	Commissioning tasks	Confirmation
1	Fill the system with water and check the water pressure	
2	Fill the siphon with water	
3	Vent the central heating system	
4	Check water-side connections for tightness	
5	Check the gas supply pressure	
6	Check the capacity of the gas meter	
7	Check the gas tightness of the connections and gas pipes	
8	Vent the gas supply pipe	
9	Check the electrical connections	
10	Check the flue gas outlet/air supply connections	
11	Checking the function and operational status of the boiler	
12	Check the air-gas ratio	
13	Remove the measuring equipment and close the measuring points	
14	Correctly fit the front housing of the boiler	
15	Set the room thermostat or the control	
16	Instruct the user and hand over the necessary documents	
17	Complete the guarantee card online	
18	Confirm the commissioning	
	Date . .	dd-mm-yy
	Company name, signature of engineer . .	

14.4 Checklist for annual maintenance

Tab.42 Checklist for annual maintenance

No.	Inspection and/or servicing work	Confirmation		
1	Check the water pressure			
2	Check the water quality			
3	Check the ionisation current			
4	Check the air supply/flue gas discharge connections			
5	Check the combustion (O ₂ /CO ₂) at full load and low load			
6	Checking the automatic air vent			
7	Checking the burner and cleaning the heat exchanger			
9	Cleaning the siphon			
10	Assembly of the boiler (replace removed gaskets)			
11	Boiler inspected visually			
12	Maintenance kit A, B or C used			
13	Maintenance message reset			
14	Extra maintenance work that was undertaken			
	.			
	.			
	.			
	.			
	.			
	.			
15	Confirmation of inspection			
	Date	dd-mm-yy	dd-mm-yy	dd-mm-yy
	Company name, signature of engineer			

© Copyright

All technical and technological information contained in these technical instructions, as well as any drawings and technical descriptions supplied, remain our property and shall not be multiplied without our prior consent in writing. Subject to alterations.

T +44 (0)118 978 3434
F +44 (0)118 978 6977
E boilers@remeha.co.uk

Remeha Commercial UK
Innovations House
3 Oaklands Business Centre
Oaklands Park
RG41 2FD Wokingham



PART OF BDR THERMEA

