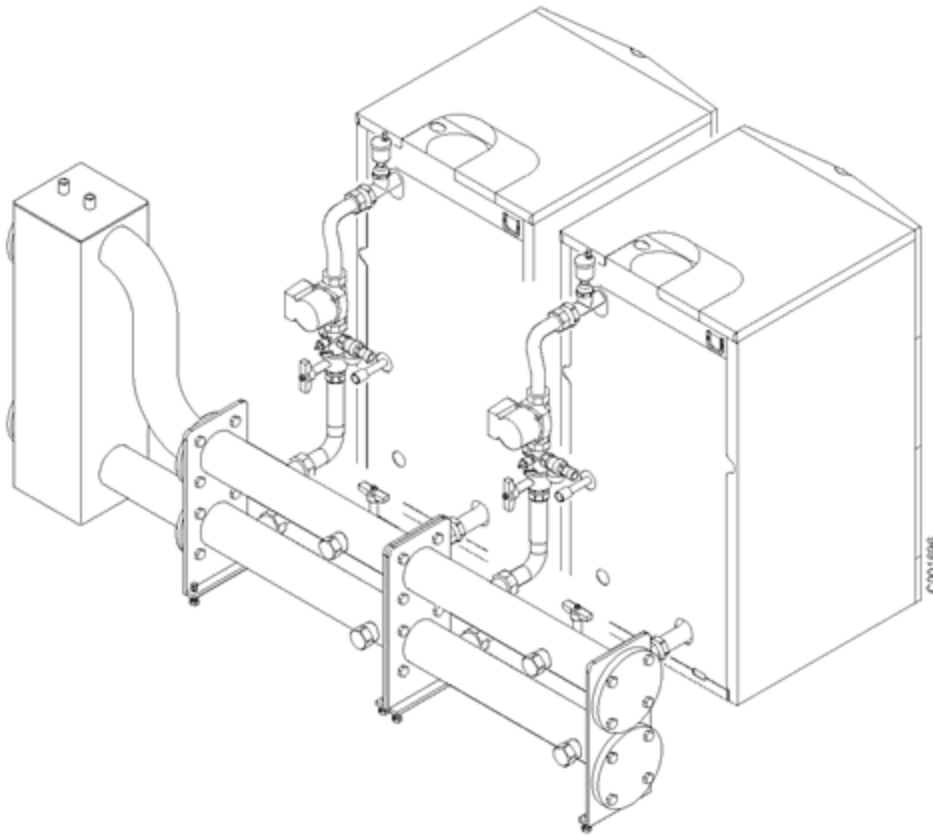


Cascade 35-115 kW

Assembly Instructions



300016422-001-B

page 1

1 Tools required



13 - 19 - 24 - 46 - 48 - 50 - 52 - 55

page 2

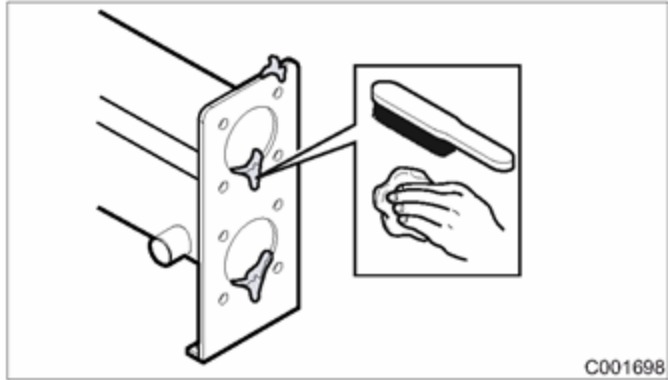
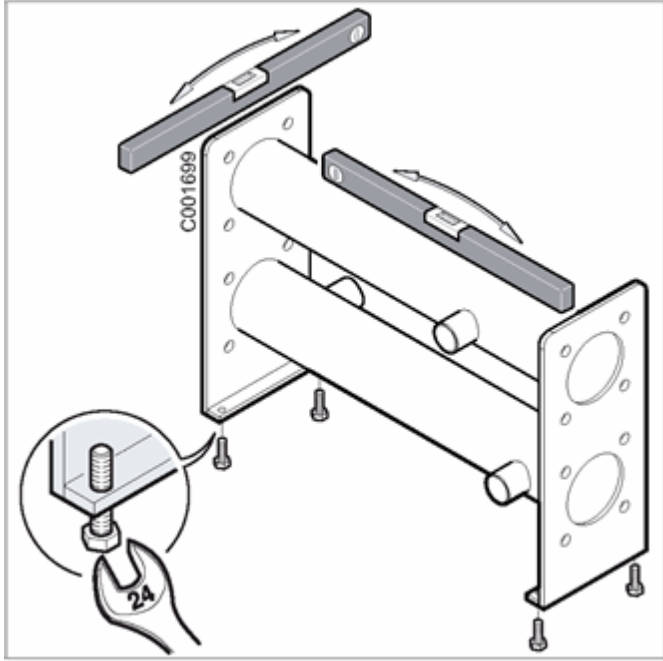
2 Recommendations

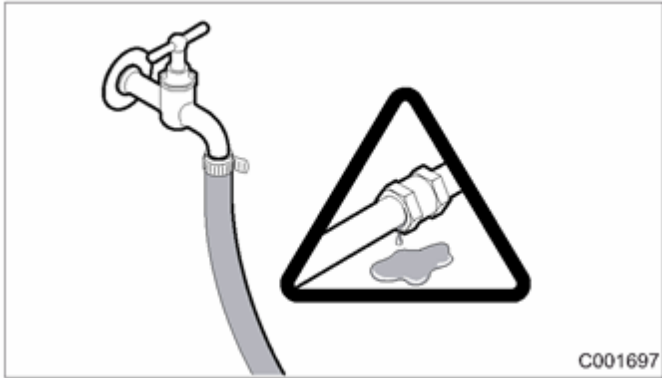
i Preferably approved sealing material should be used.

i Hydraulic test:

After assembling the boilers and the cascade system, a pressure-test will visualise water tightness of the cascade system.

- # Flow and return connections must be blanked off.
Apply a cold water pressure of 1.3 x working pressure.

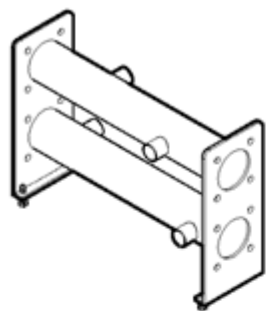




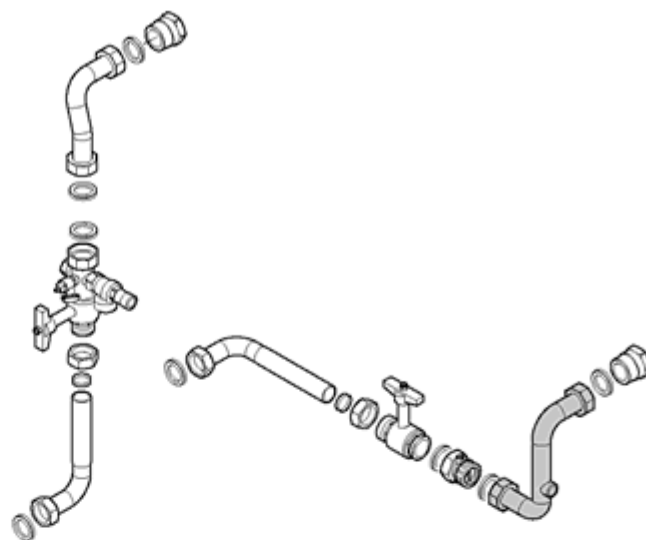
page 3

3 Package list

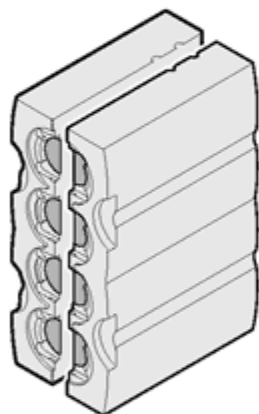
DN65 : 100011703
DN100 : 100011492



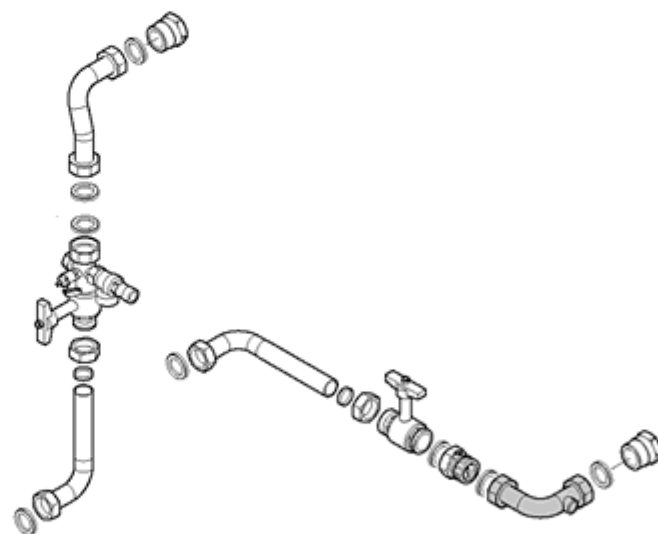
100011491



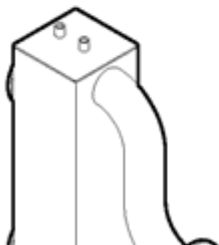
111067



100011490



DN65 : 111712
DN100 : 111714



DN65 : 111788
DN100 : 111790



DN65 : 112632
DN100 : 112633



DN65 : 111701
DN100 : 111703



111708

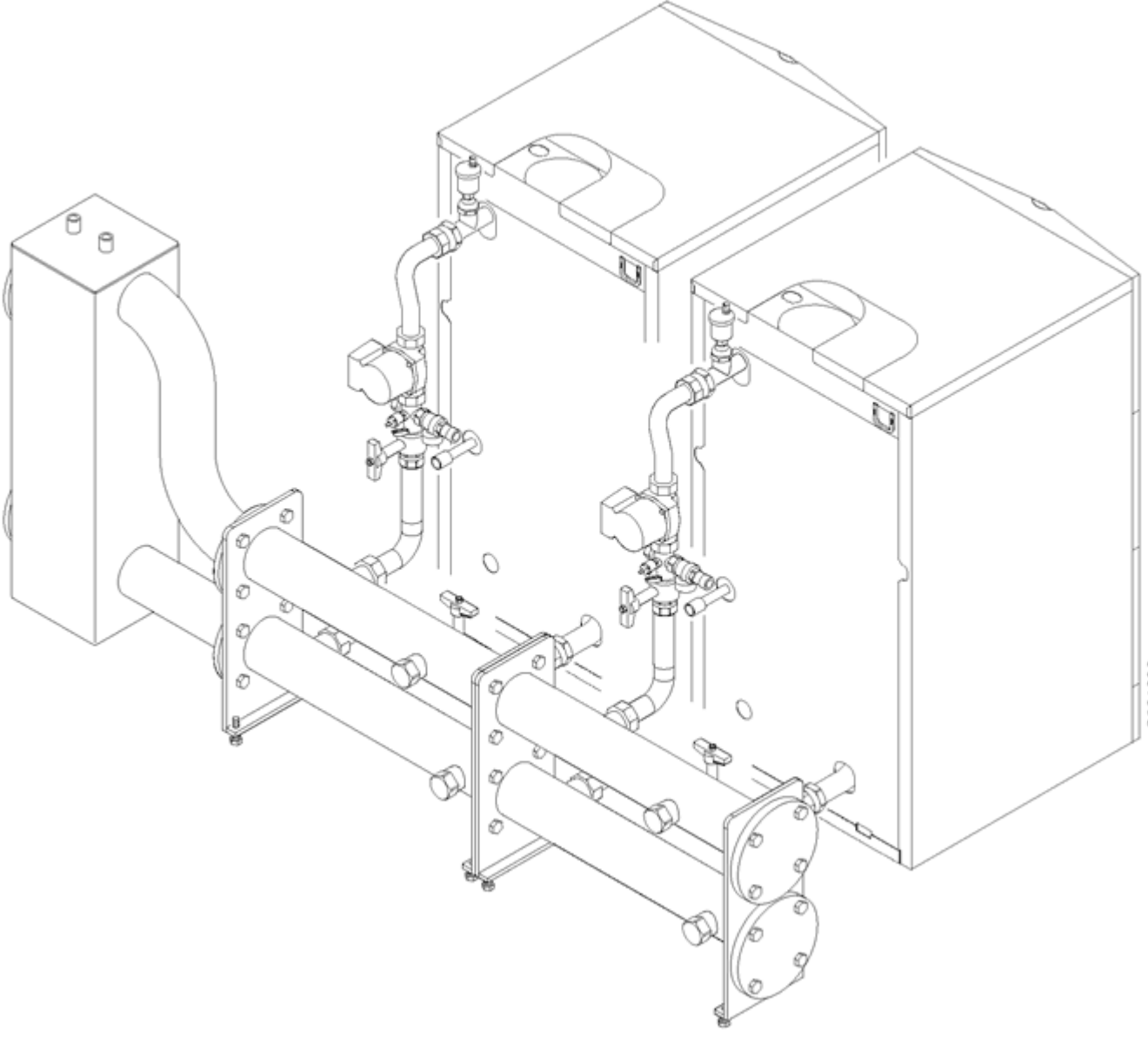


(1) Pump to be ordered according to the output of the boiler.

page 4

4 Combinations possible

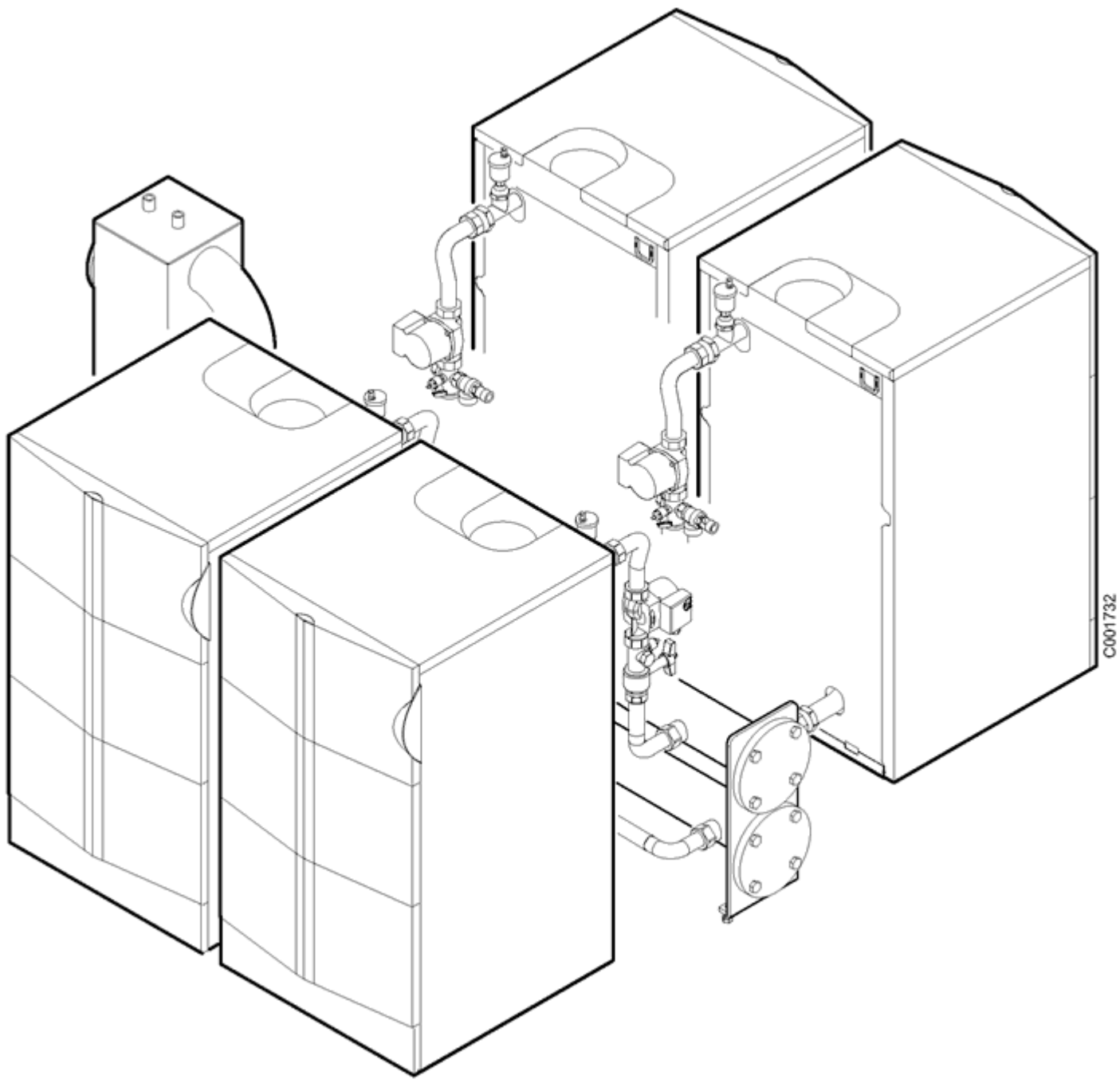
4.1 LV



C001696

page 5

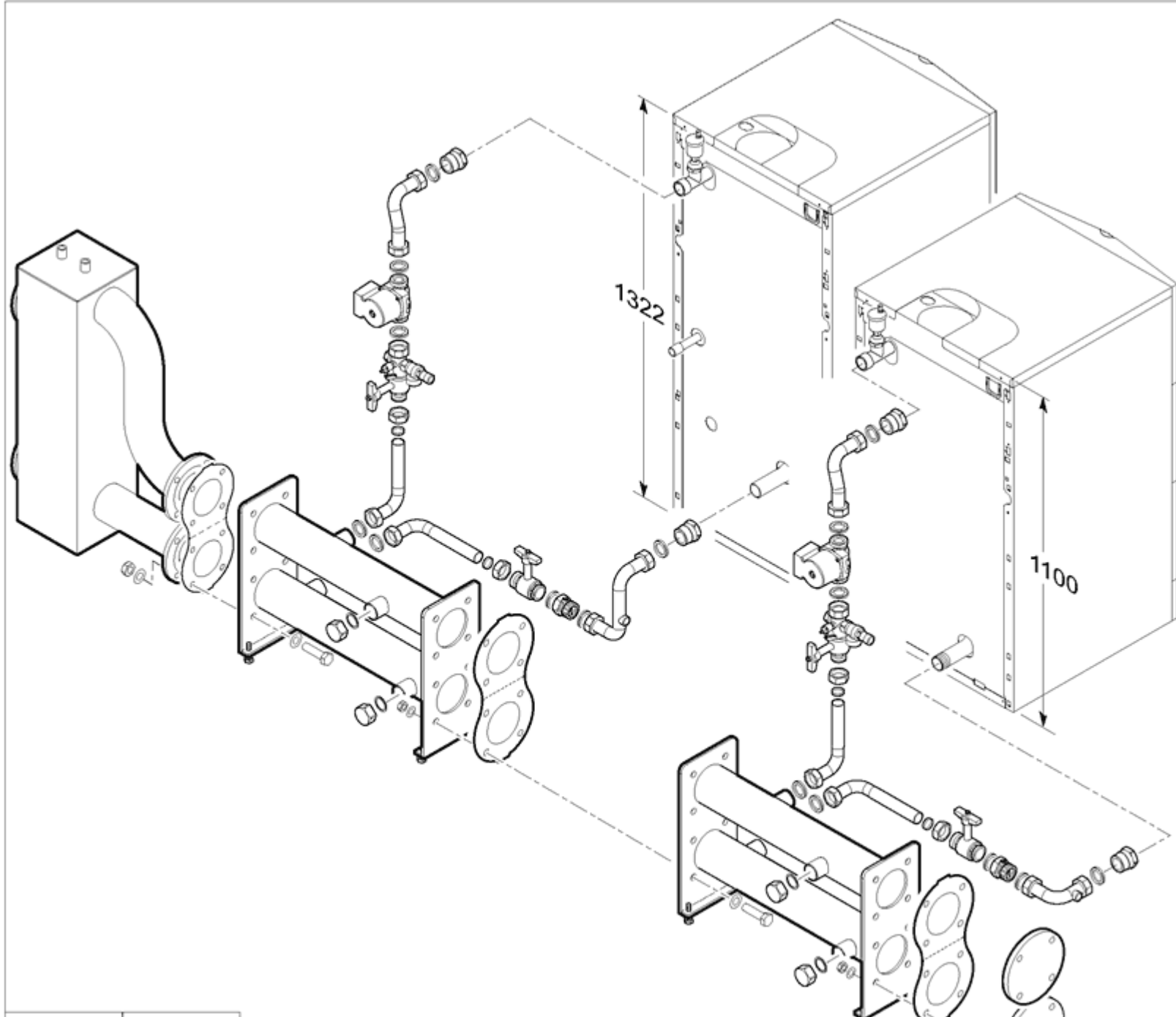
4.2 RG



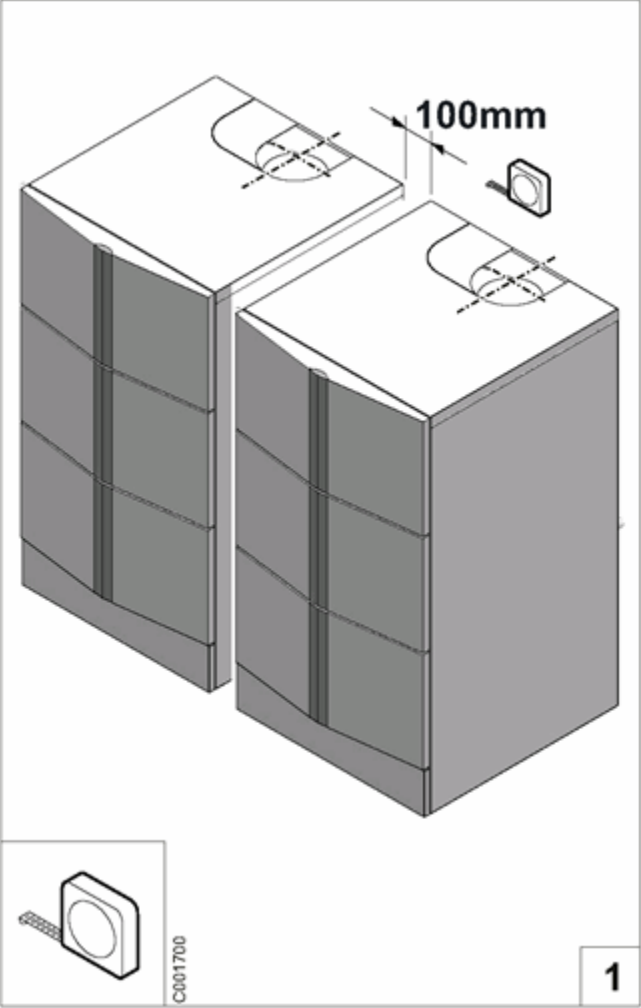
C001732

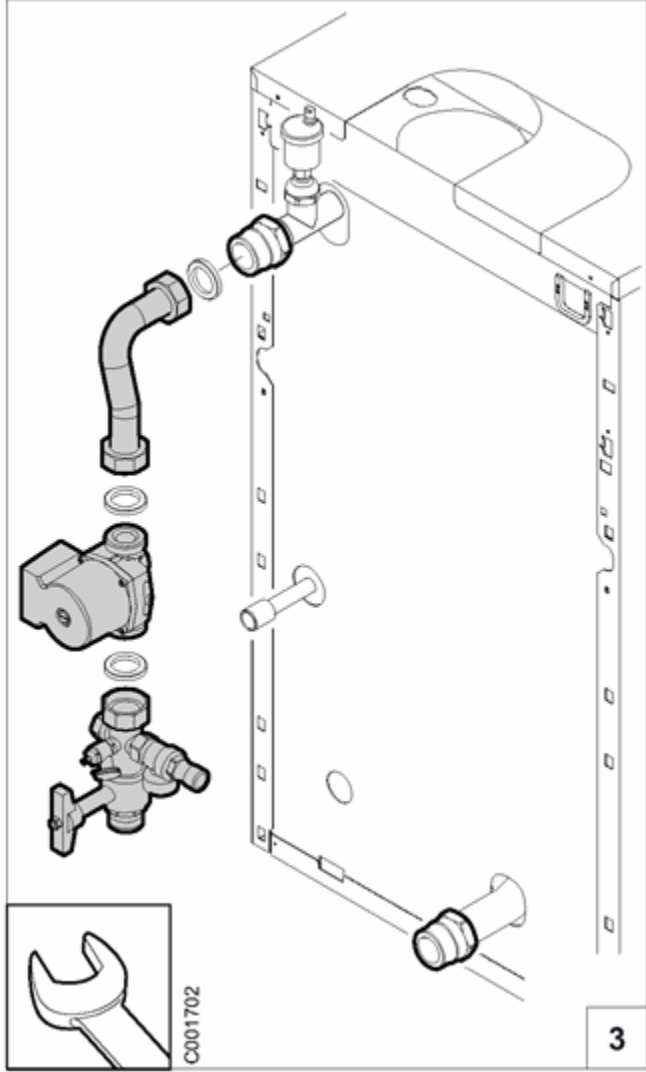
page 6

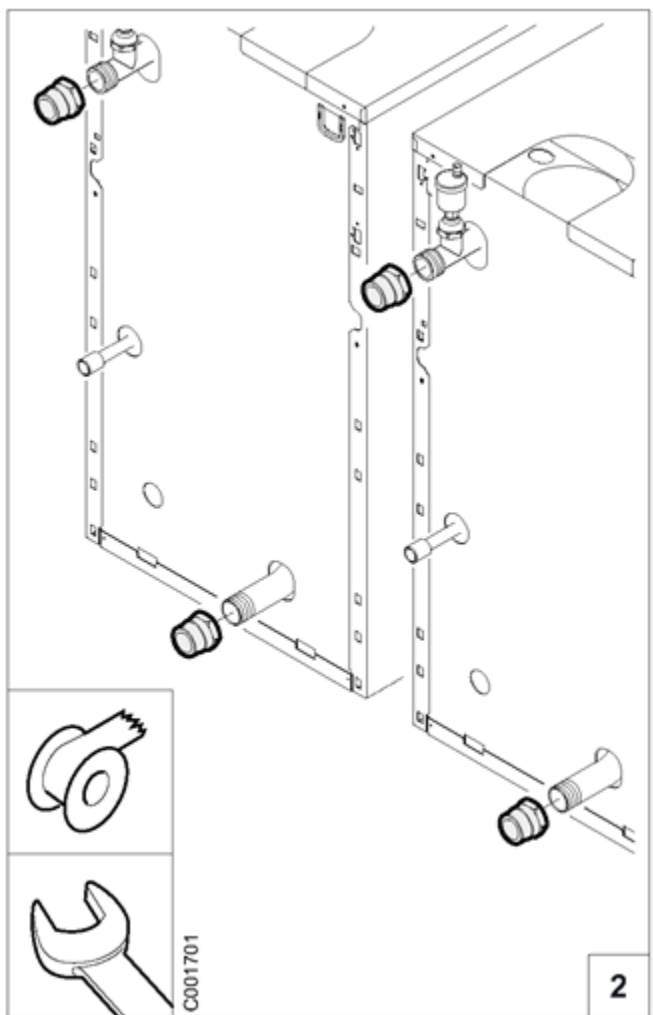
5 Components



6 Assembly

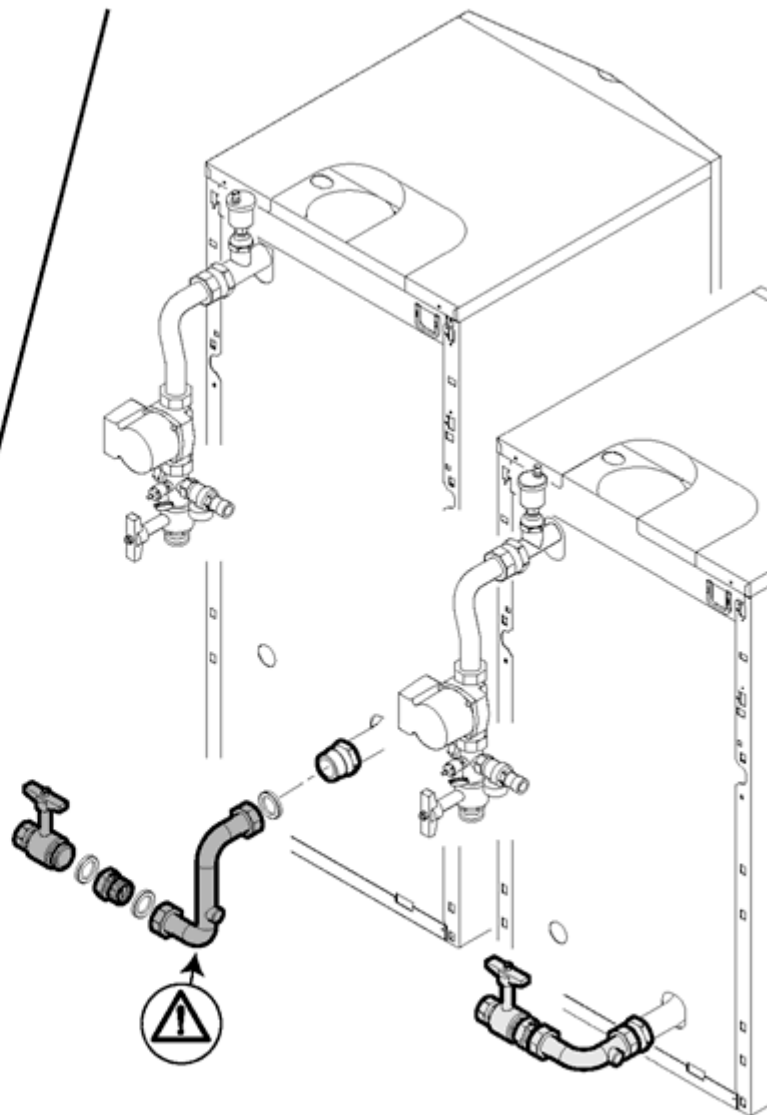
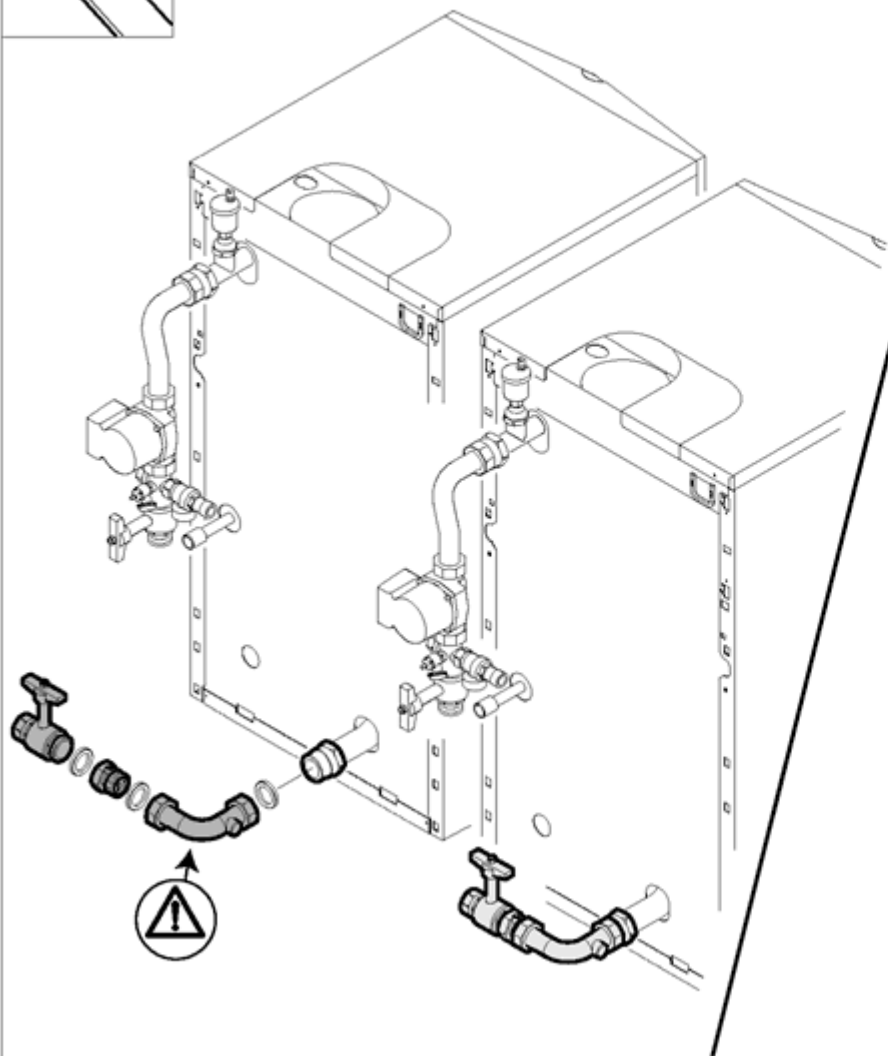


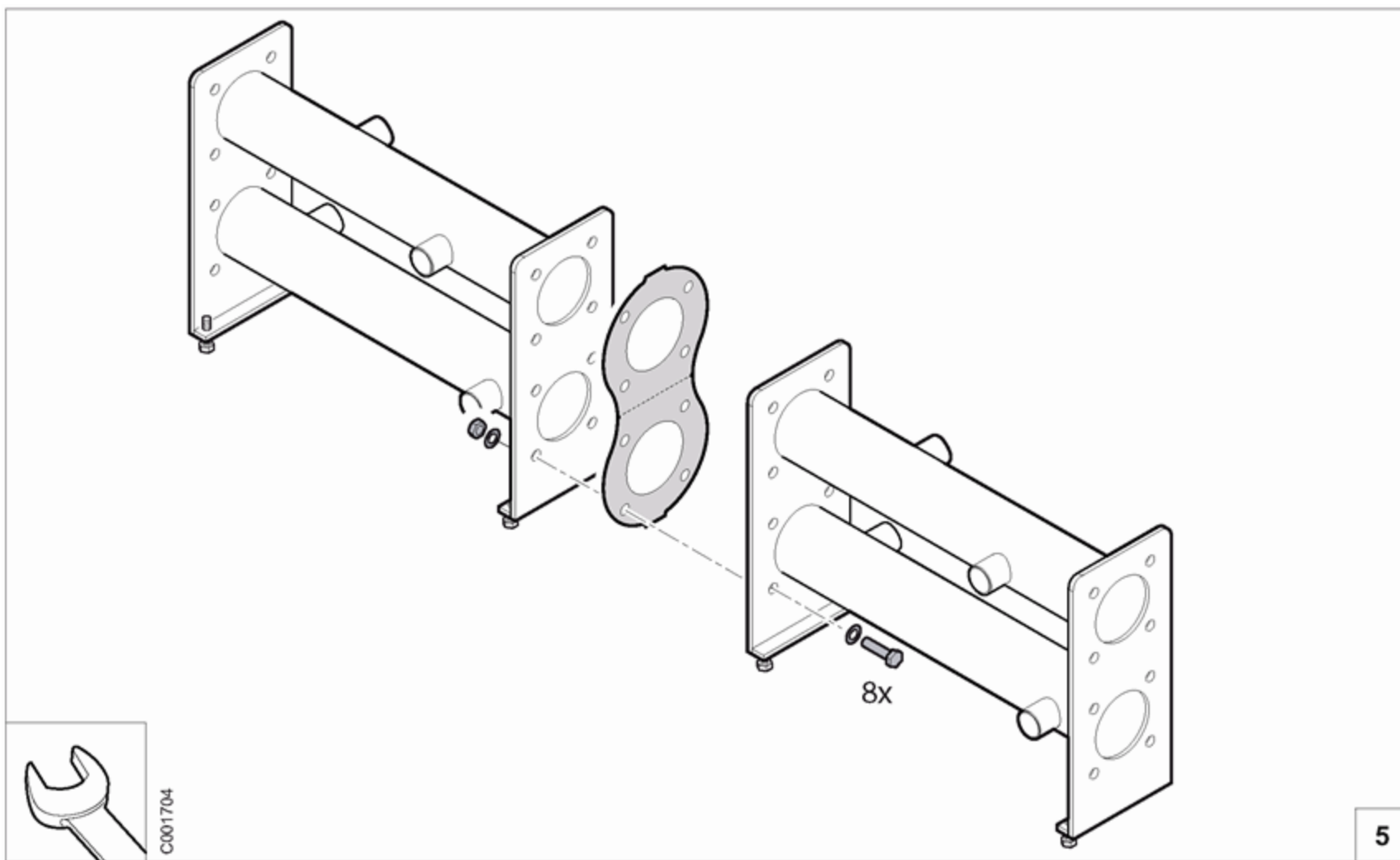


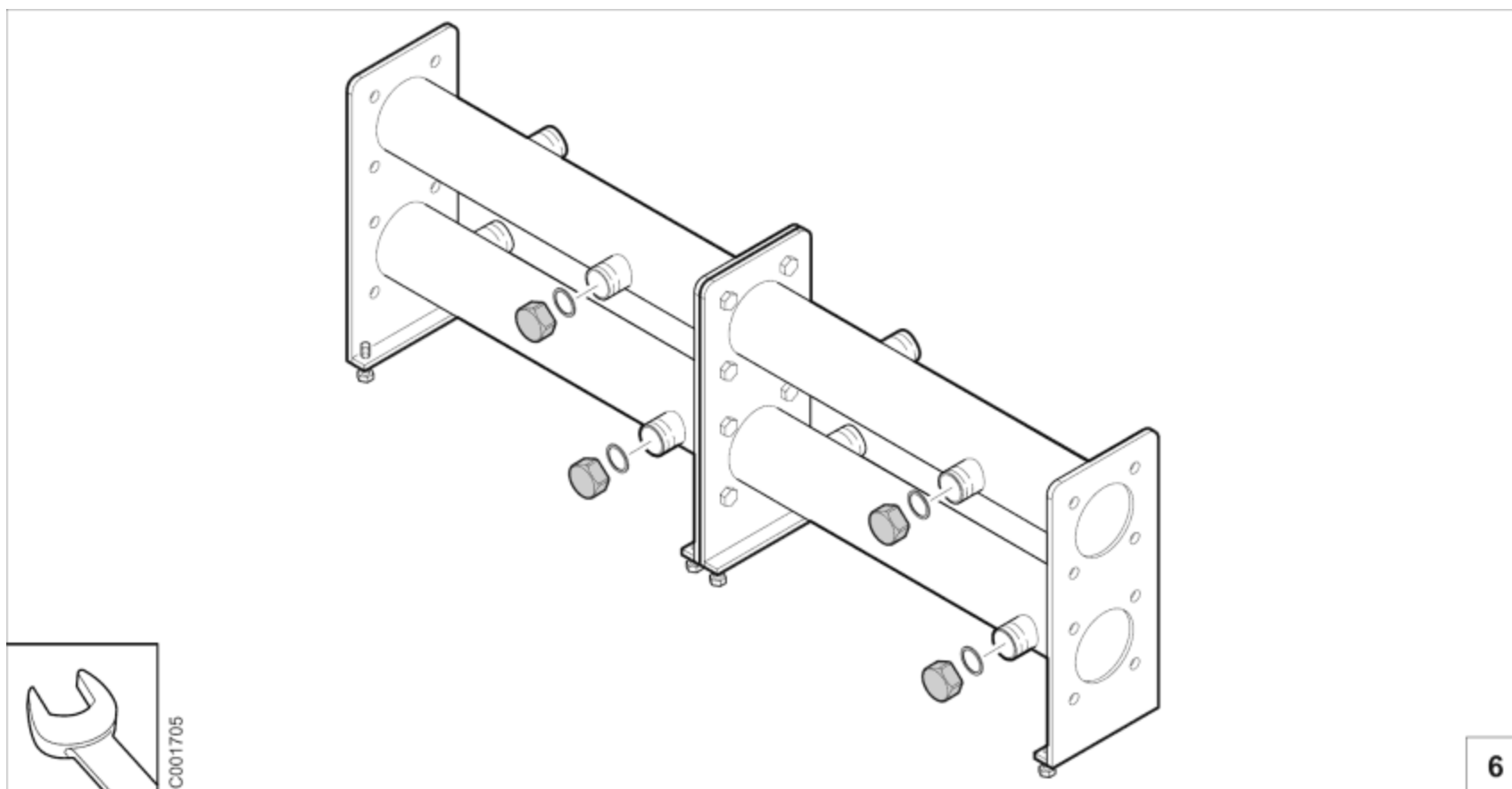


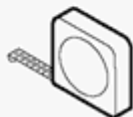
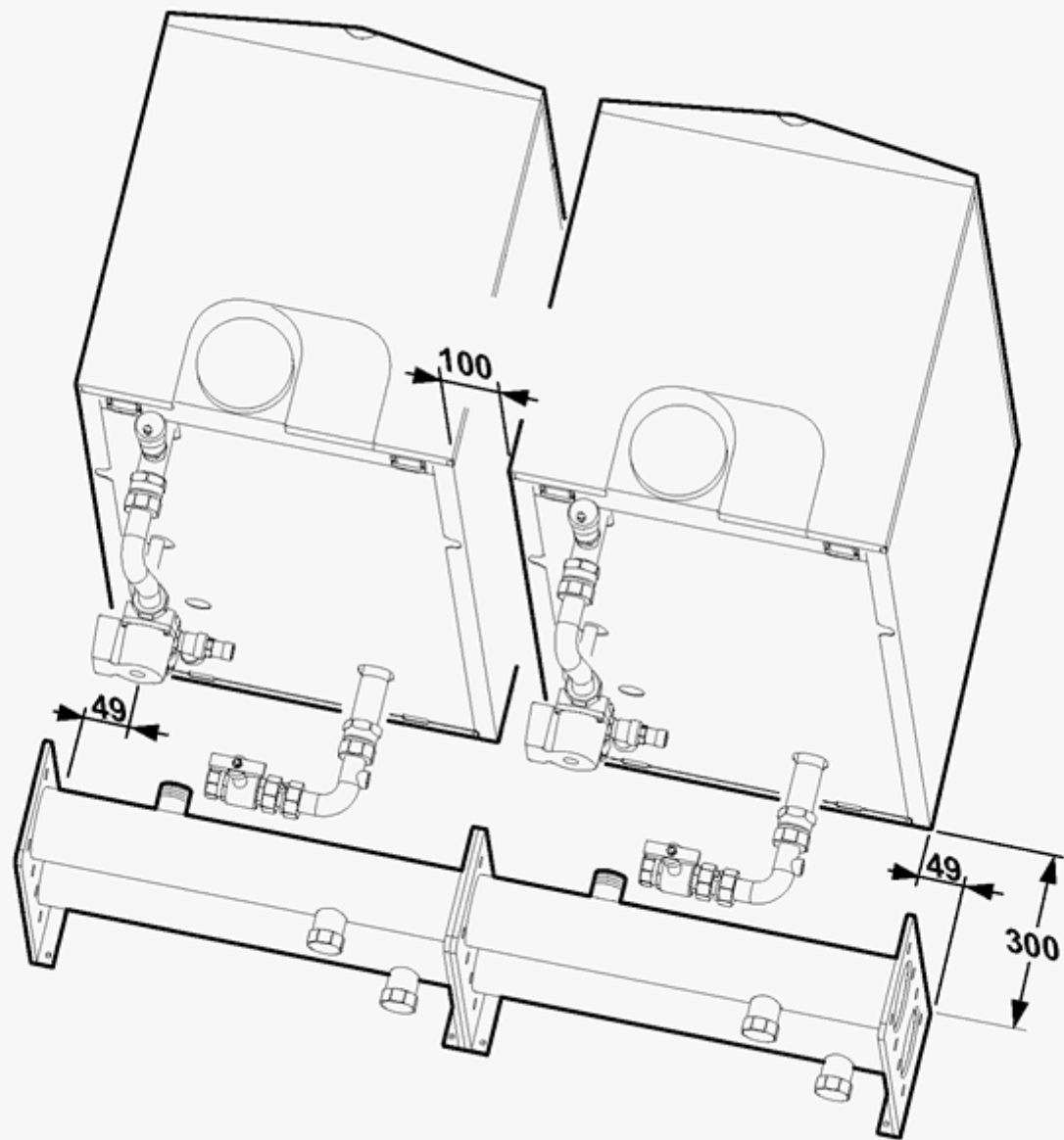


C001703

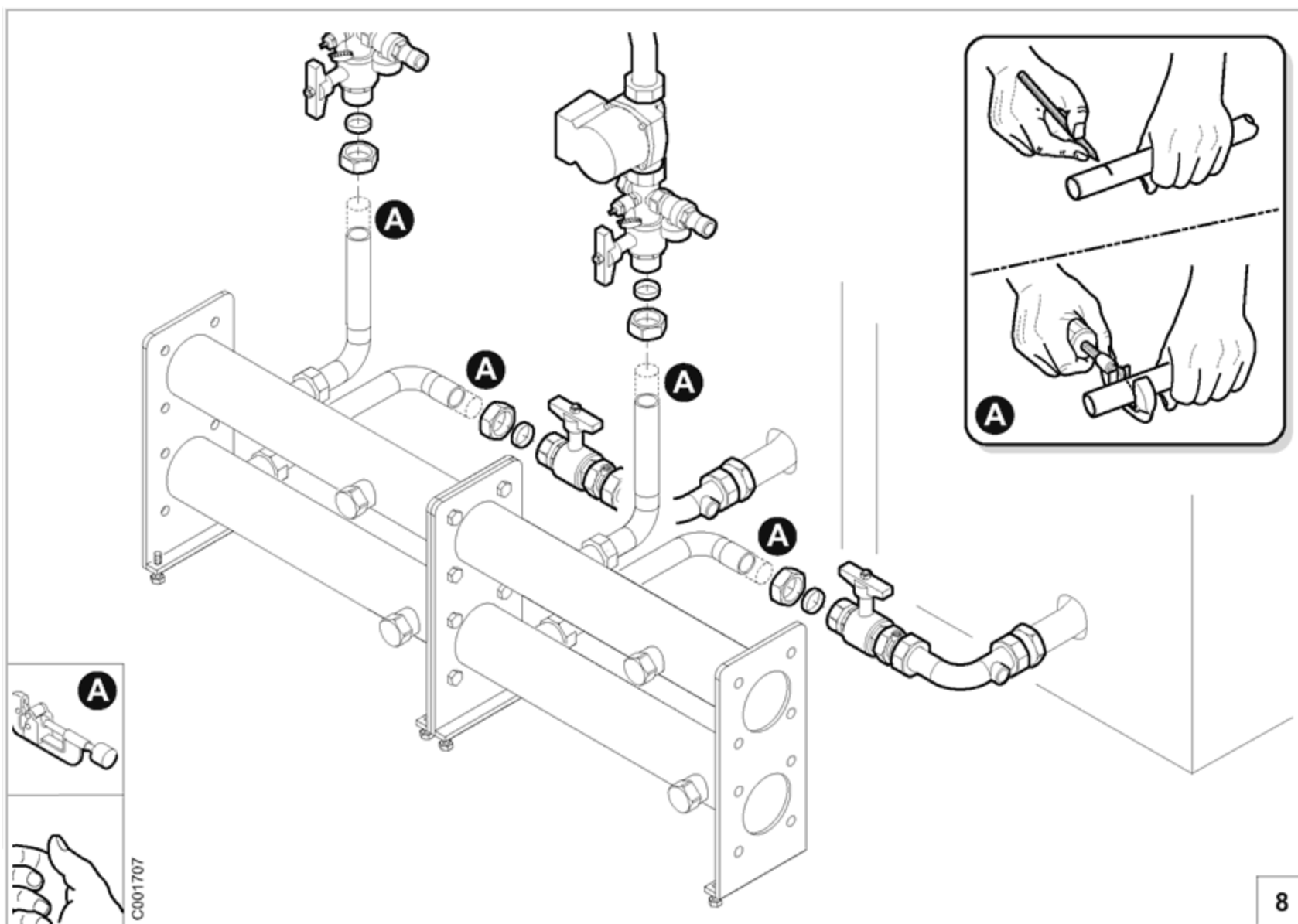


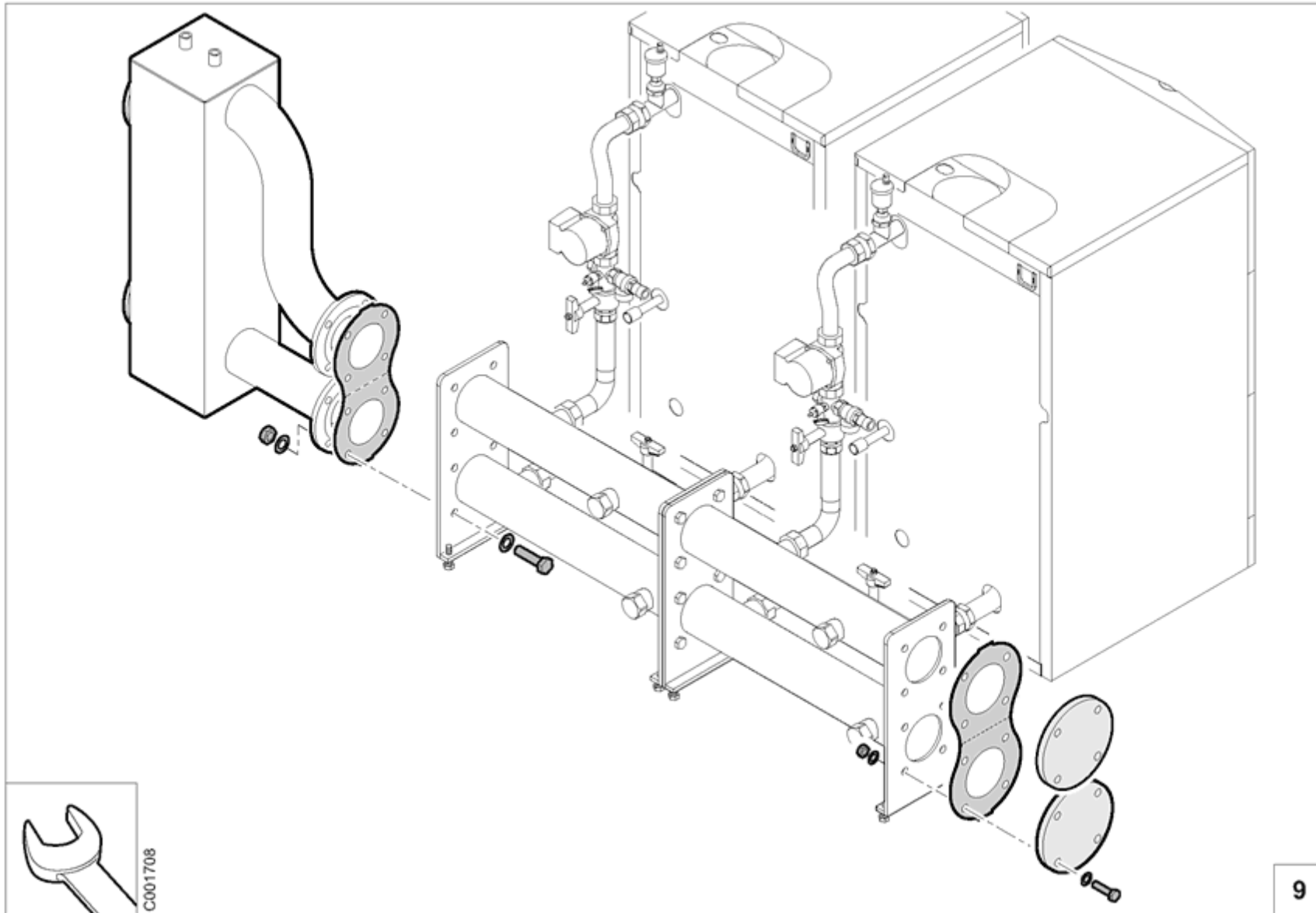


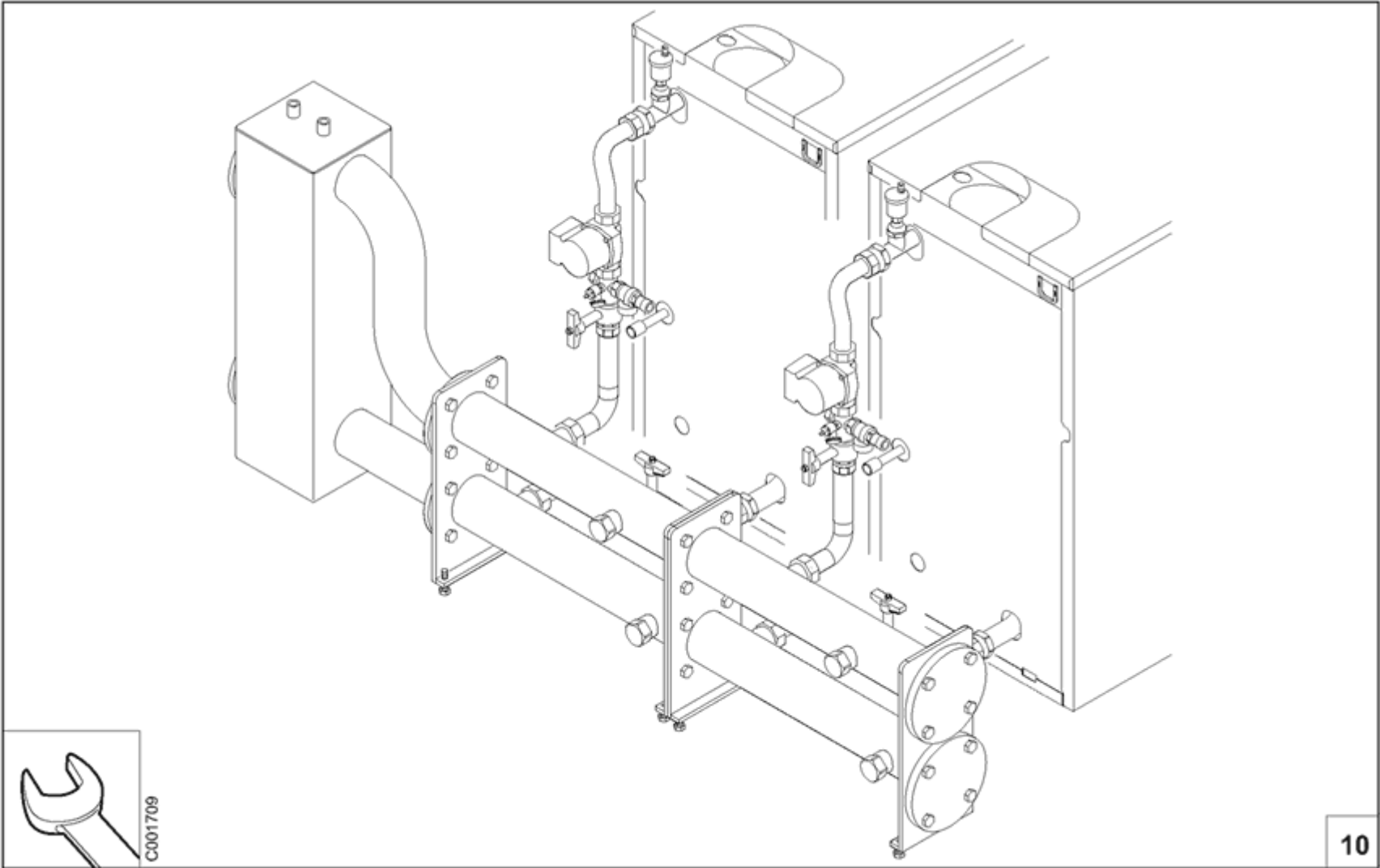




C001706

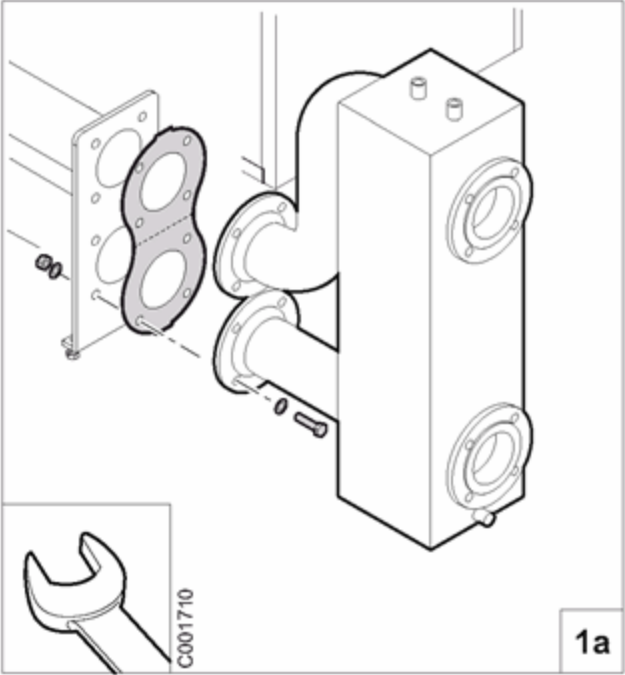


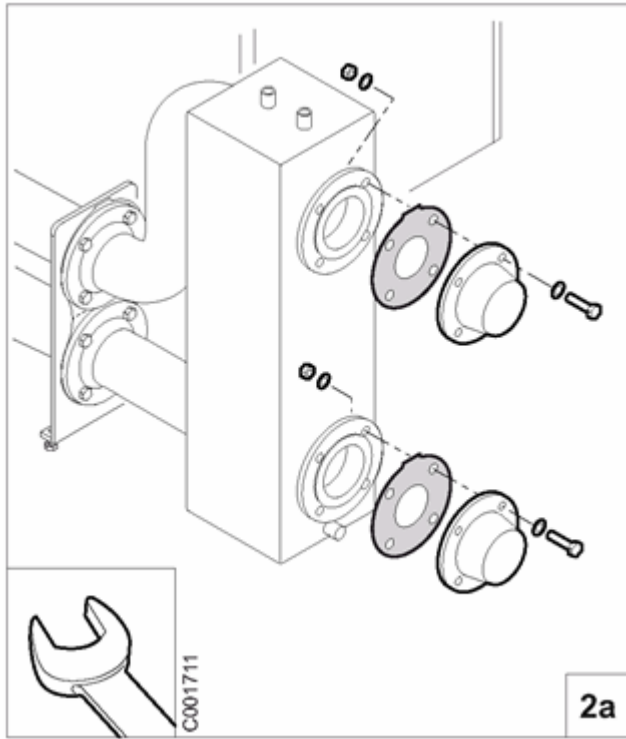


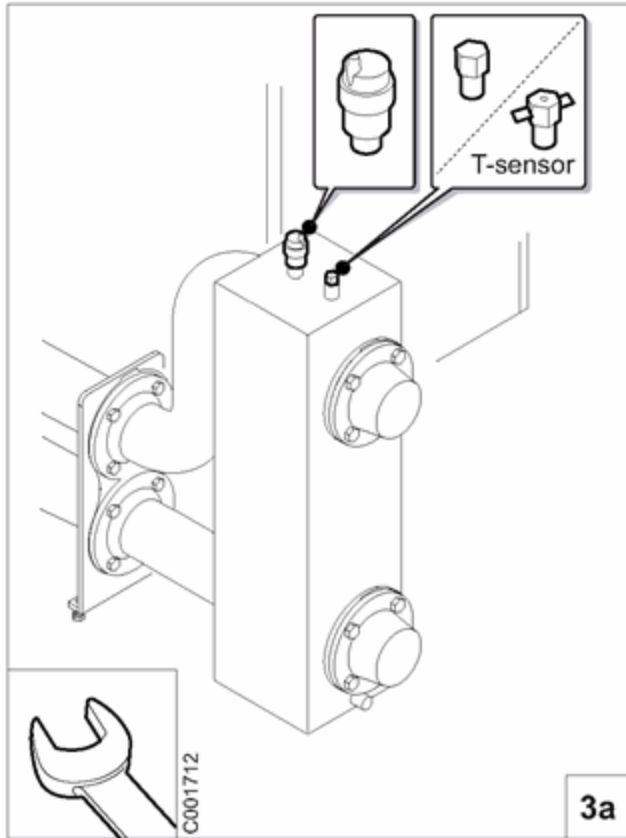


7 Installing options

7.1 Connecting flanges

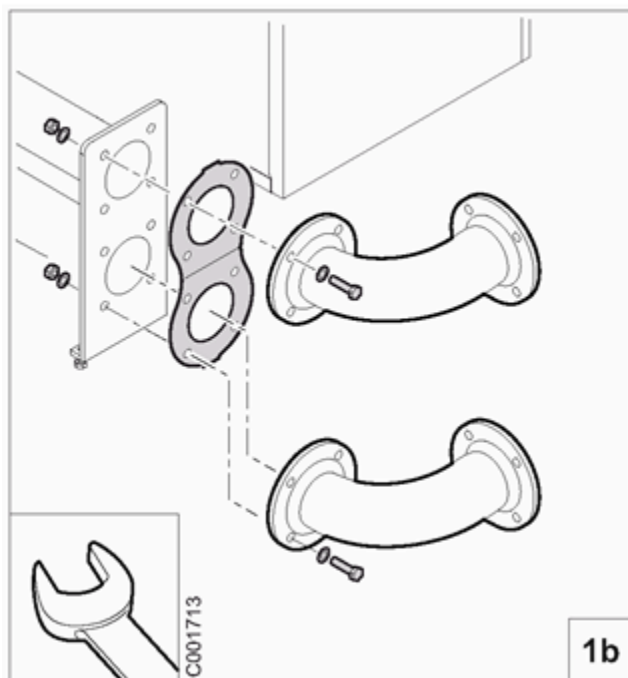


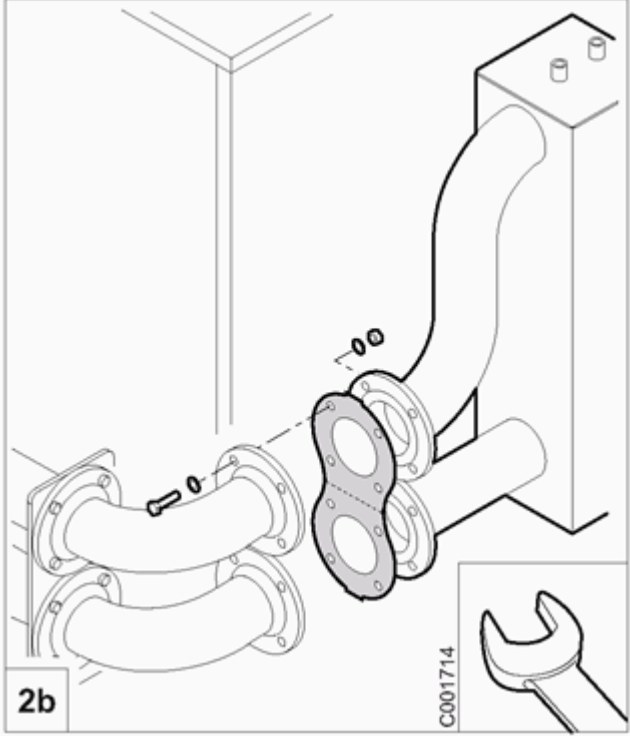


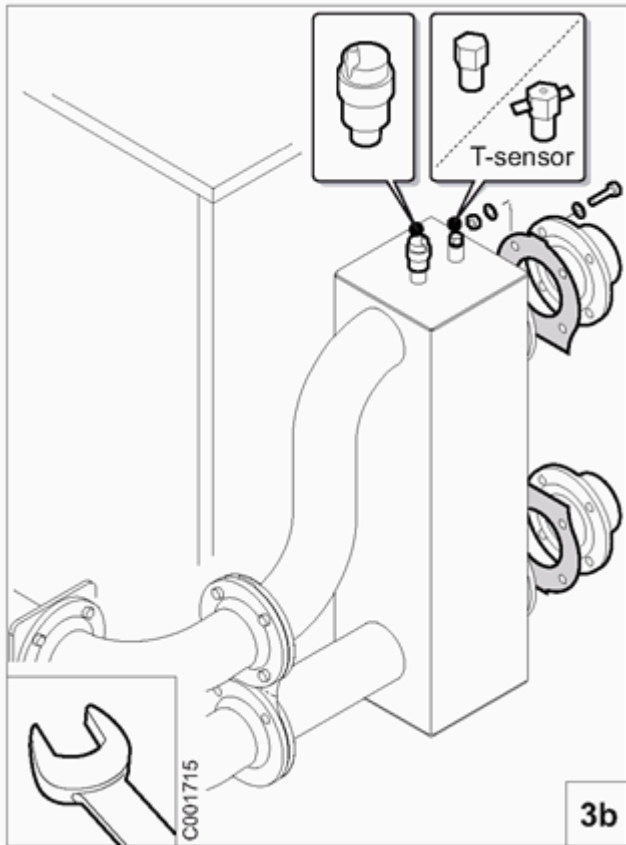


page 13

7.2 Elbow 90°

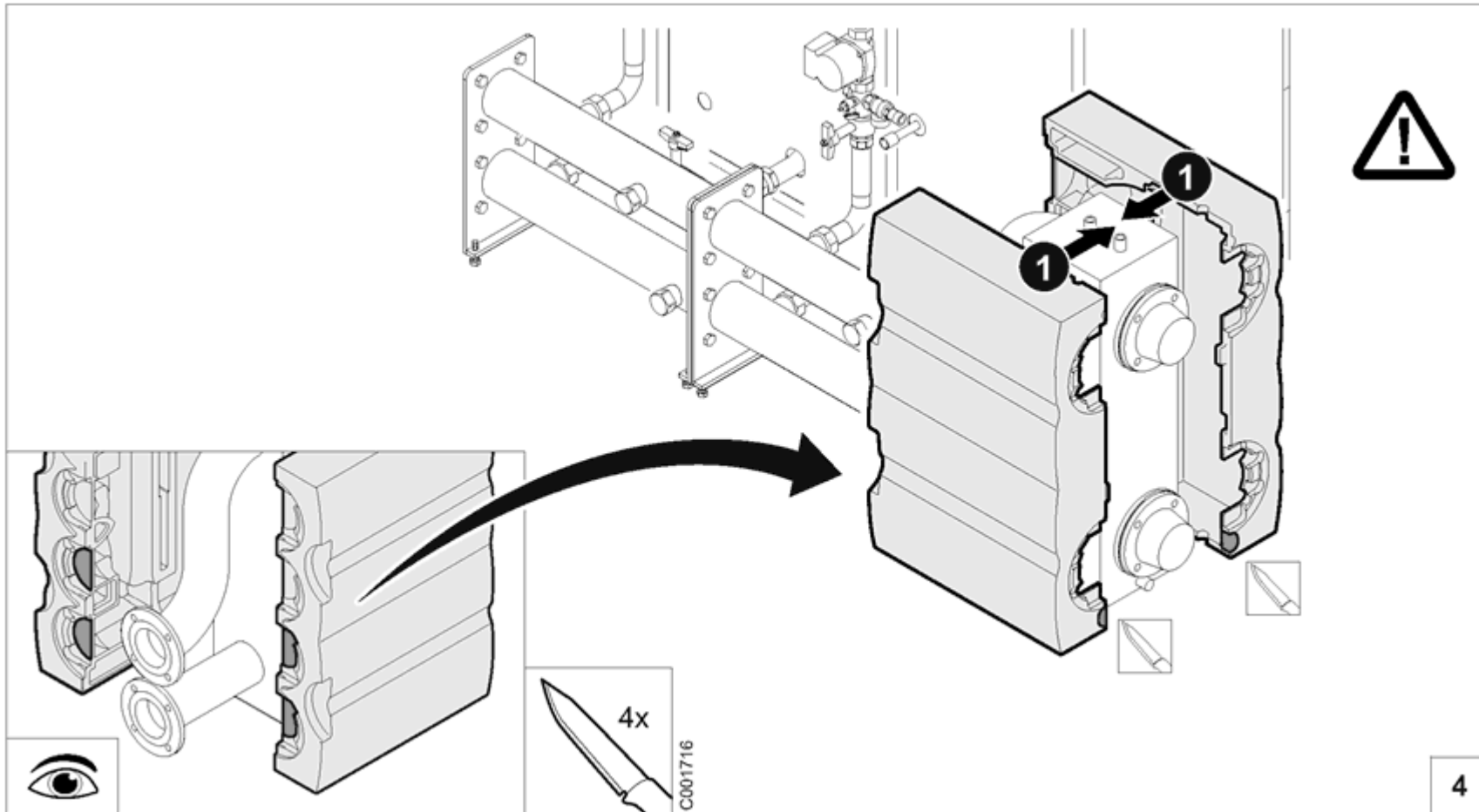






page 14

7.3 Low-loss header insulation



page 15

DE DIETRICH THERMIQUE
57, rue de la Gare F- 67580
MERTZWILLER - BP 30

www.dedietrich-heating.com

Subject to alterations



300016422-001-B

12/03/08

page 16

