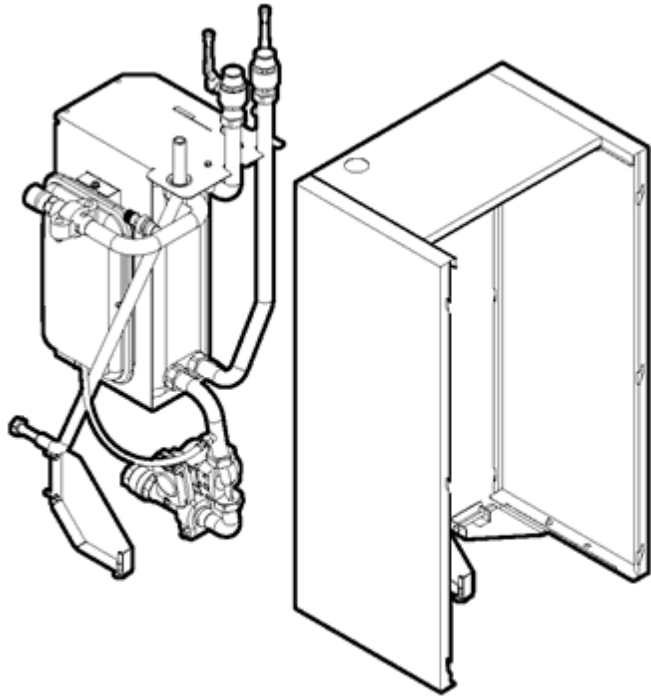


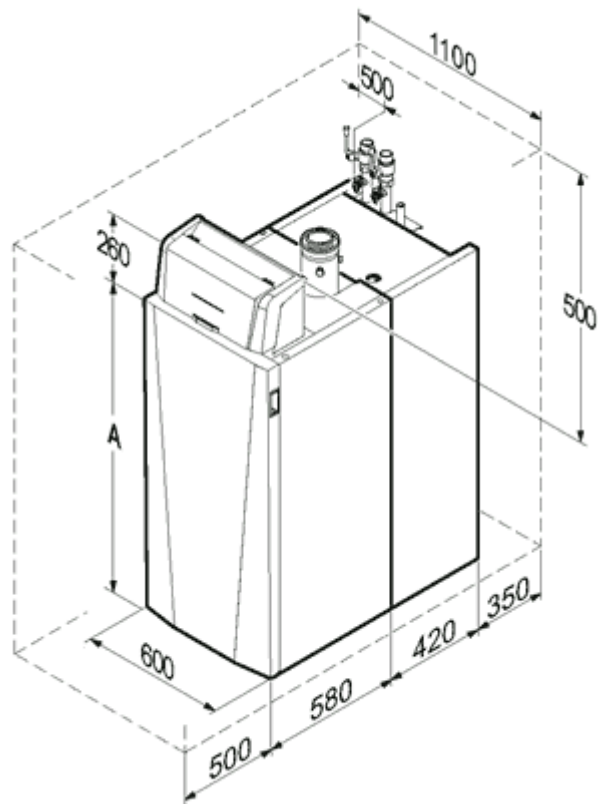
12/11/2018 - 7718669-01

Kit Plate heat exchanger

=> Boiler 45-65-90-115 kW

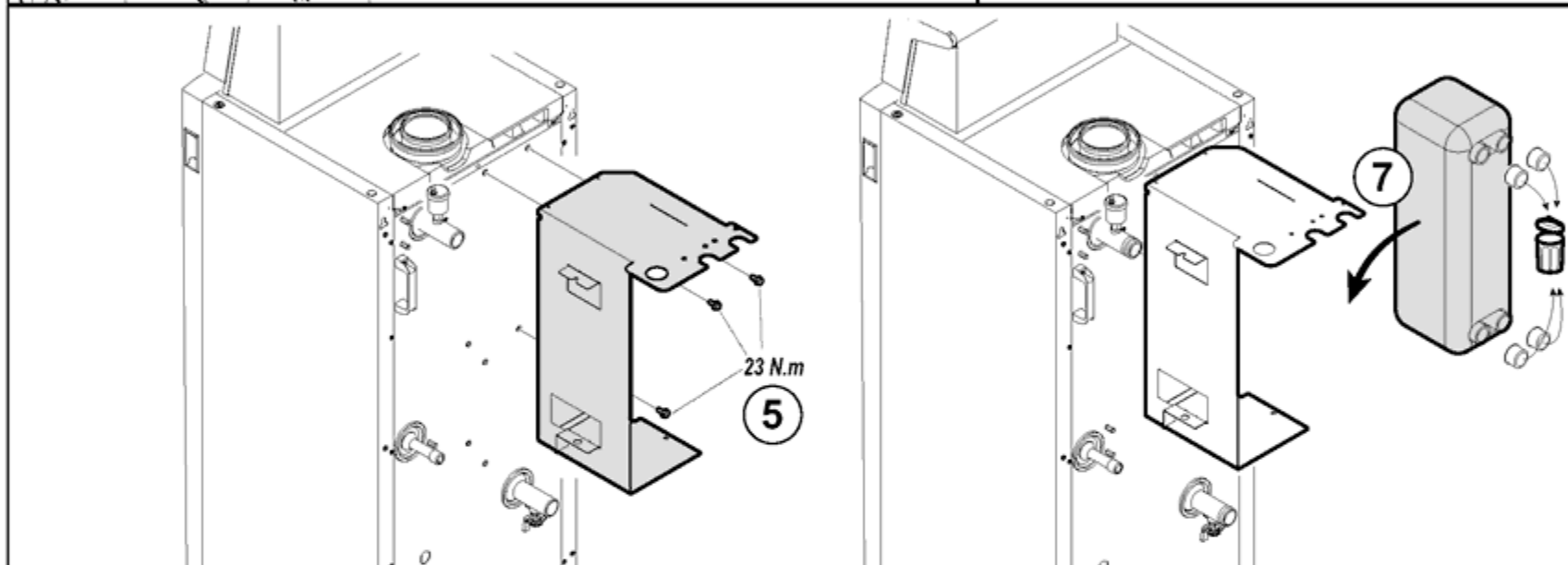
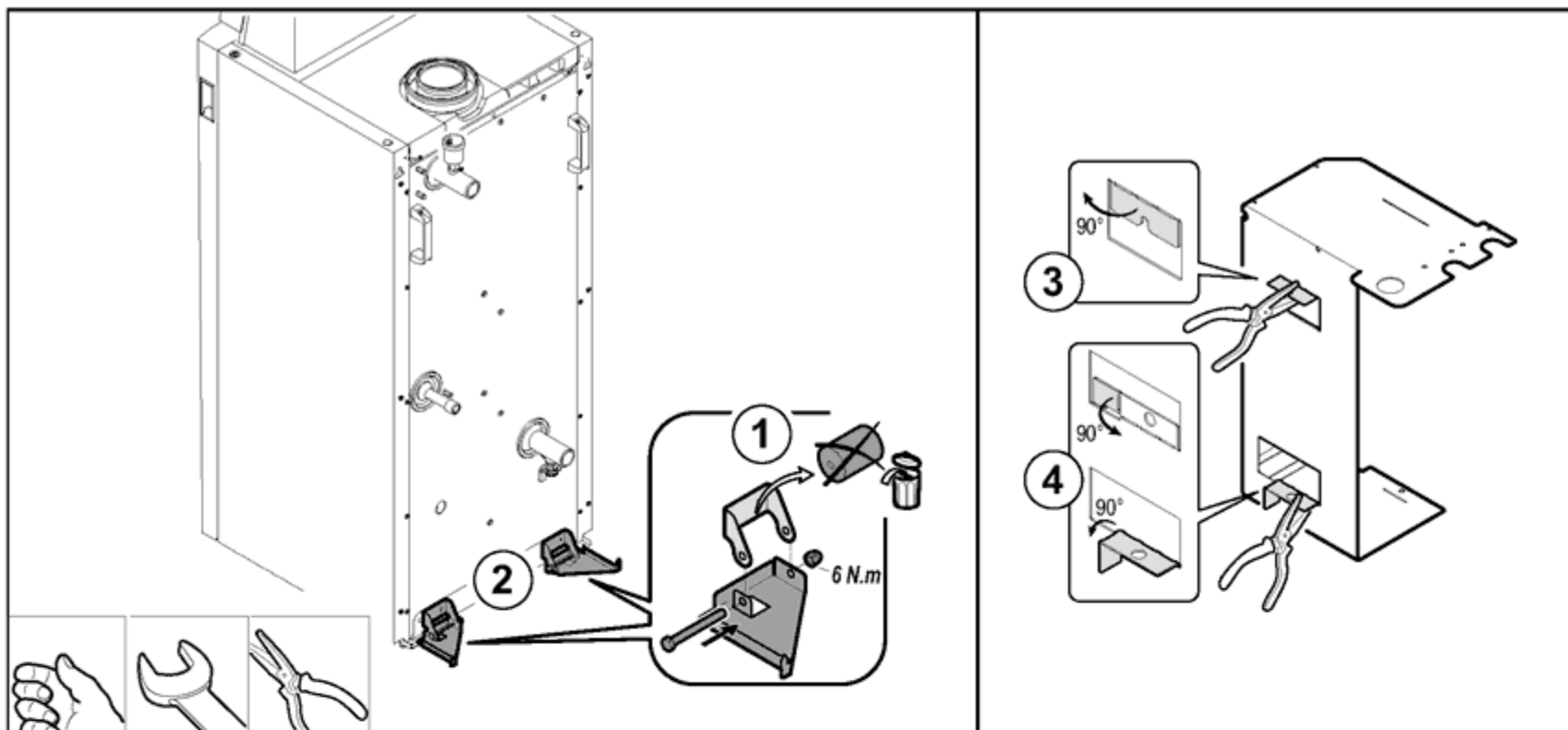


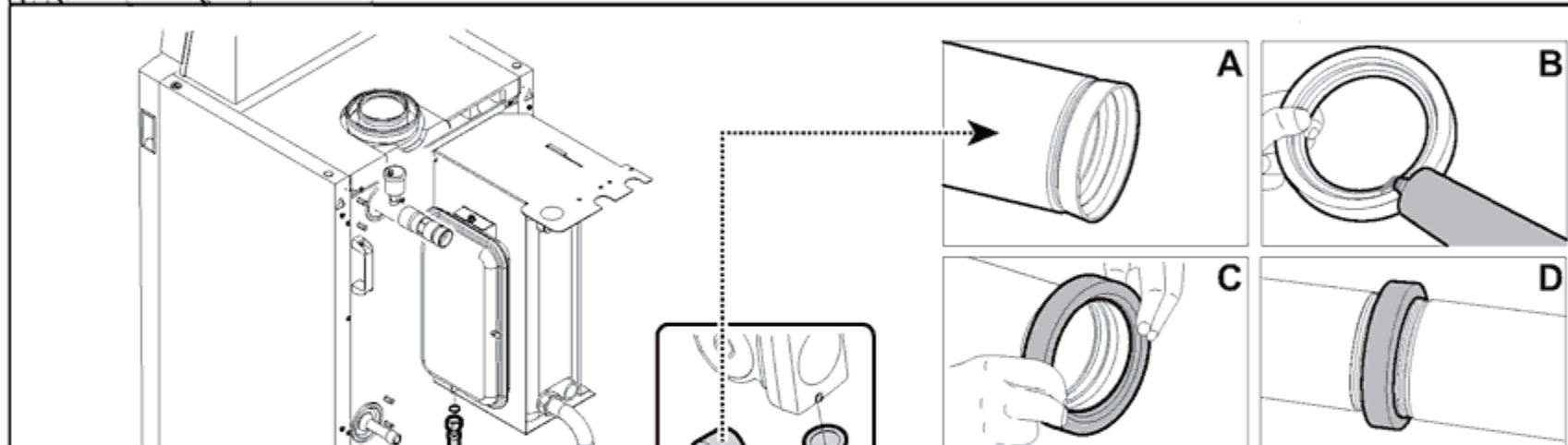
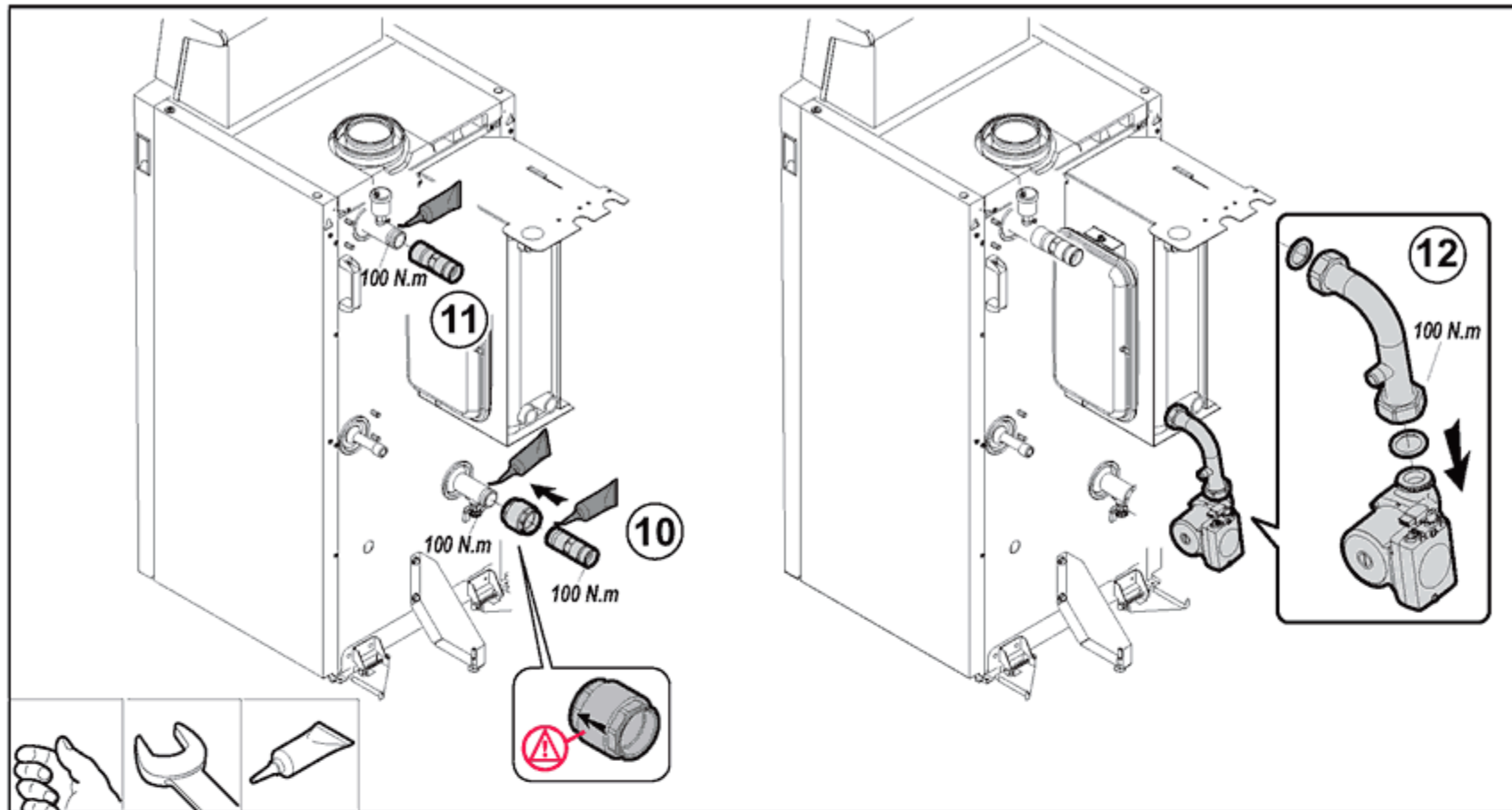
MW-IMG0-7718669-01

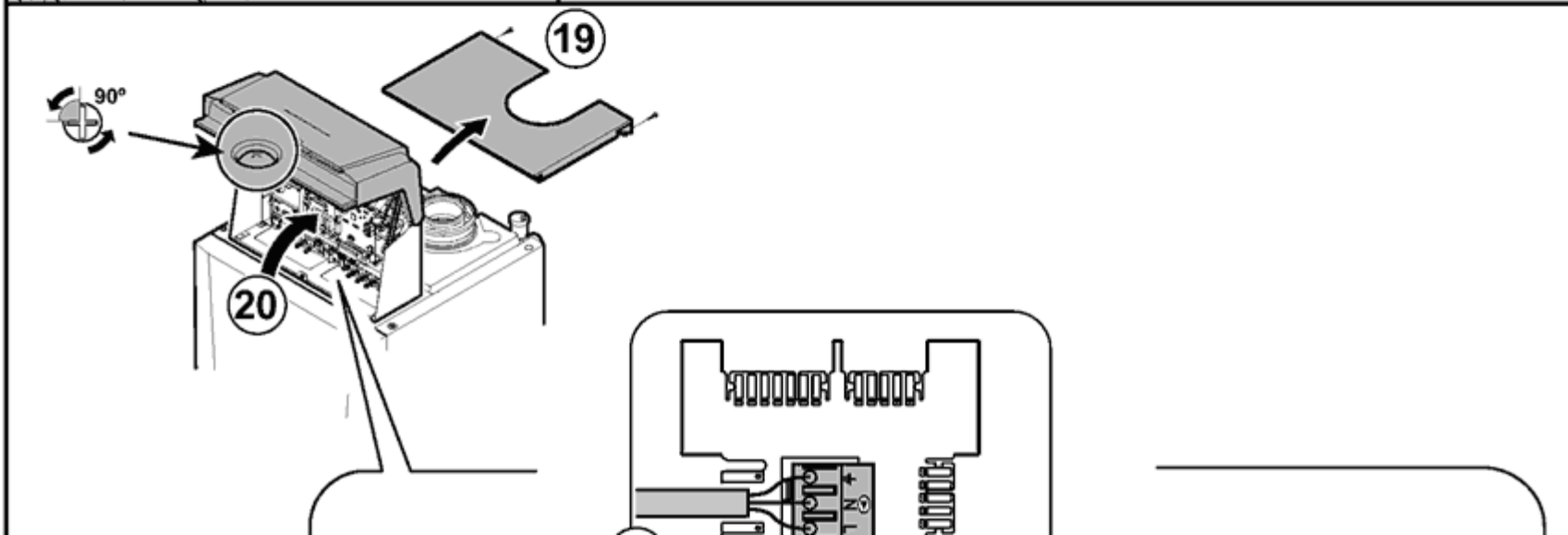
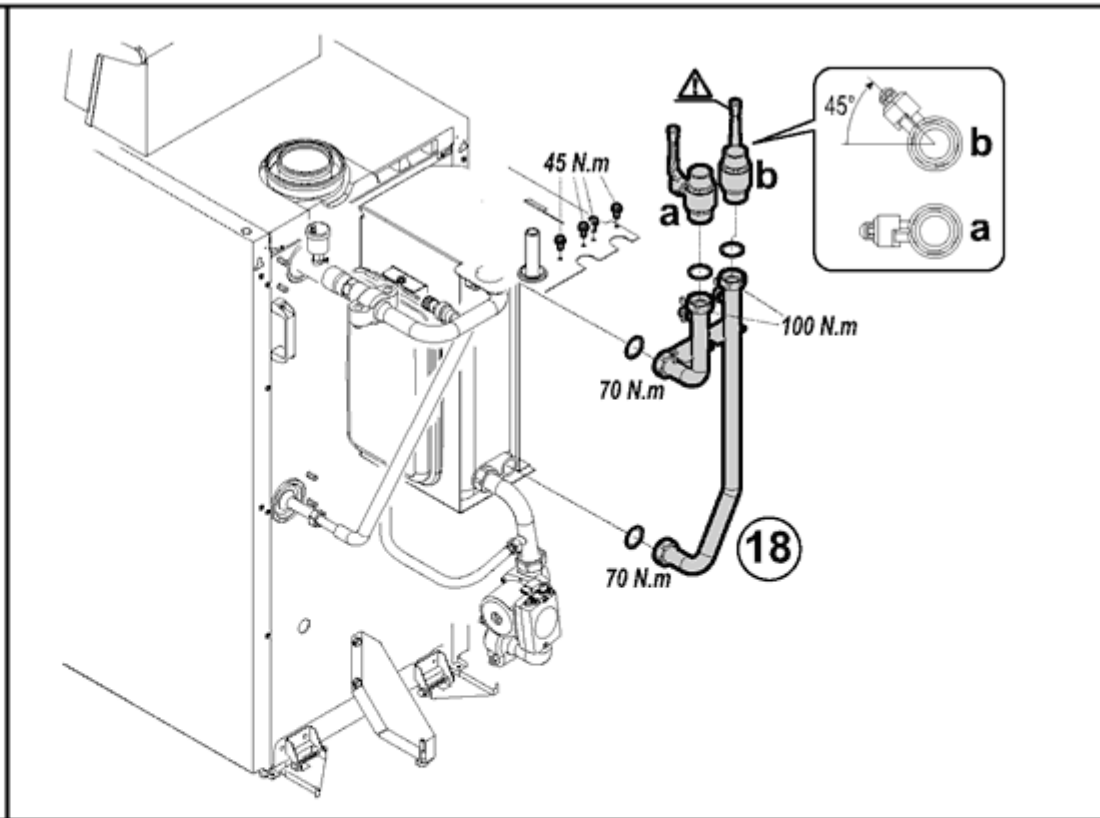
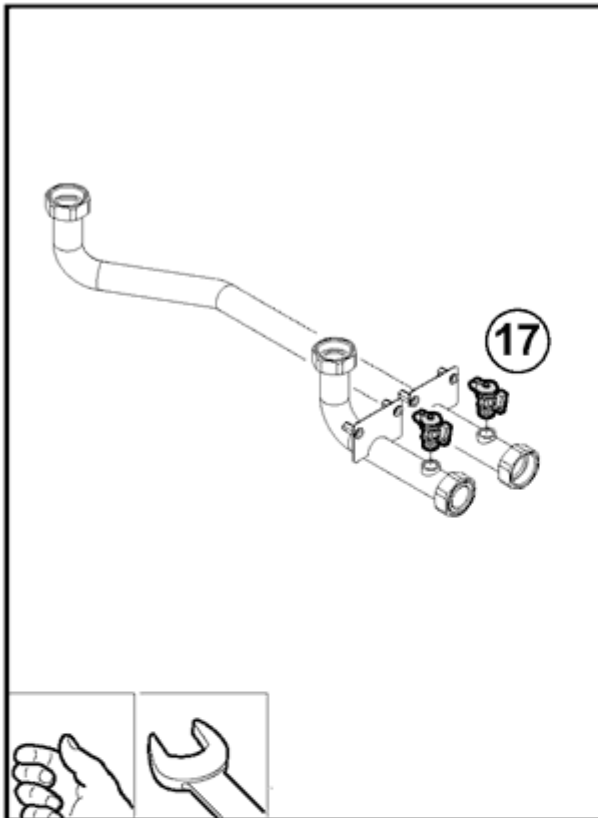


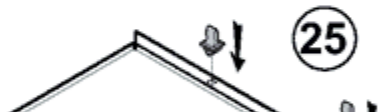
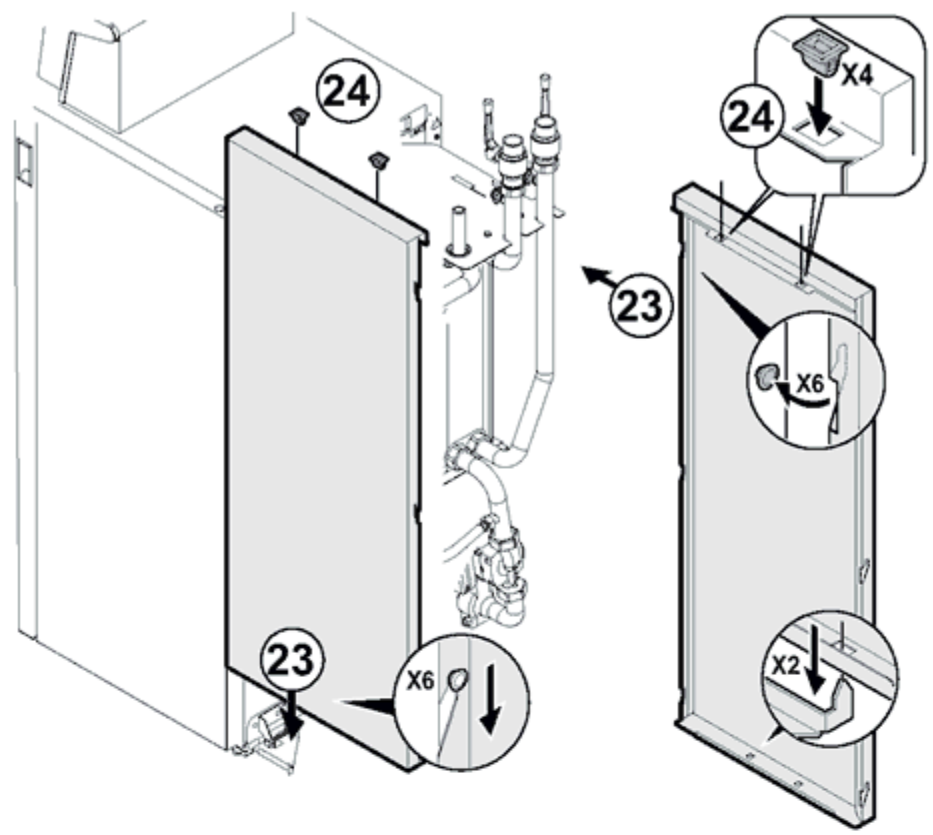
MW-IMG1-7718669-01

	45 kW	65 kW	90 kW	115 kW
A (mm)	1082	1082	1304	1304



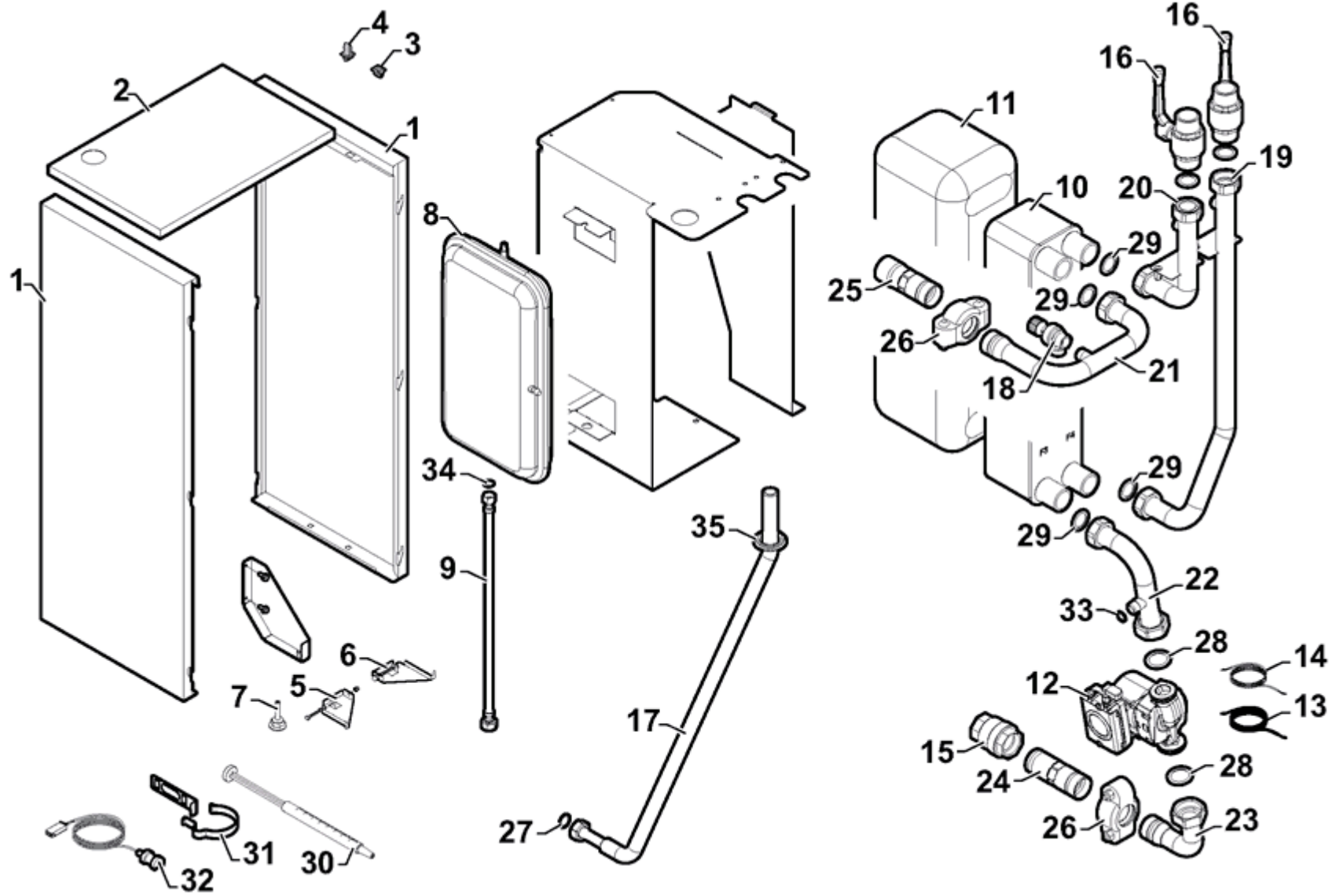






page 5

Spare parts



MW-IMG6-7718669-01

page 6

1	7695714	45-65 kW side panel
1	7695721	90-115 kW side panel
2	7695649	Top panel
3	94820110	Striker plate
4	94820120	Bolt
5	7690618	Left-hand side panel
6	7690619	Right-hand side panel
7	300024451	M8-45 adjustable foot
8	S62753	8-litre expansion vessel
9	300010820	DN10 3/8" - 1/2" straight hose
10	7686252	45-65 kW plate exchanger
10	7694089	90-115 kW plate exchanger
11	7690105	45-65 kW plate exchanger insulation
11	7690111	90-115 kW plate exchanger insulation
12	7606650	UPML 25-105 130 pump
13	7616781	Pump cable, length 2400
14	7612372	24 V pump cable
15	567540	G1¼ non-return valve
16	7693585	G1¼ M ball valve
17	7692889	Gas pipe
18	7612416	4 bar 138 kW safety valve
19	7692802	Exchanger inlet pipe
20	7692746	Exchanger outlet pipe
21	7692419	Exchanger flow pipe
22	7692519	Exchanger return pipe
23	7692587	Circulating pump return pipe
24	7693381	R 1¼ union

25	7690857	RP 1¼ union
26	7690573	Victaulic type 75 1¼"
27	95013060	24X17X2 green gasket
28	95013064	44X32X2 green gasket
29	95013063	D.38 X 27 X 2 fibre gasket
30	97385252	Syringe
31	95320133	Clamp
32	95362449	VF 60 flow sensor, length 2500
33	95013059	D.18.5*12*2 gasket
34	95013058	D.14*8*2 gasket
35	54278	Cable guide

12/11/2018 - 7718669-01

page 7