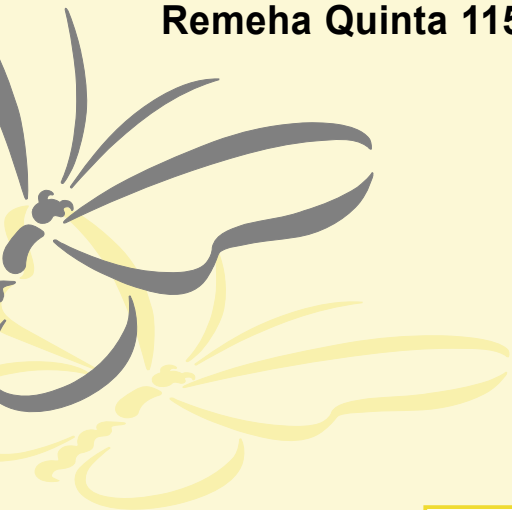


Technical information

## Remeha Quinta 115



Remeha Quinta 115

- High-efficiency condensing boiler for wall mounted installation
- Output: 18 - 115 kW



 remeha

## TABLE OF CONTENT

<b>PREFACE</b>	<b>5</b>
<b>1 GENERAL DESCRIPTION OF THE BOILER</b>	<b>6</b>
<b>2 CONSTRUCTION</b>	<b>7</b>
2.1 Boiler layout	7
2.2 Operating principle	8
<b>3 TECHNICAL DATA AND DIMENSIONS</b>	<b>9</b>
3.1 Dimensions	9
3.2 Technical data	10
3.3 General Specification	11
3.4 Options	12
<b>4 EFFICIENCY INFORMATION</b>	<b>12</b>
4.1 Annual efficiency	12
4.2 Heat to water efficiency	12
<b>5 APPLICATION INFORMATION</b>	<b>12</b>
<b>6 CONTROL AND SAFETY EQUIPMENT</b>	<b>13</b>
6.1 The control panel	13
6.1.1 General	13
6.1.2 Layout of the control panel	13
6.1.3 Combined key functions (in operating mode only)	14
6.1.4 Display of values with more than two digits	15
6.2 Flow diagram control system	16
6.3 Operating mode (X□□)	18
6.4 Shut-off mode (bX.X)	19
6.5 Setting mode user level (X□□)	20
6.5.1 Flow temperature set point (1)	21
6.5.2 Pump run on time HTG (2)	21
6.5.3 DHW temperature set point (3)	22
6.5.4 Boiler control setting (R)	22
6.6 Setting mode service level (X□□)	23
6.6.1 Flow temperature set point during forced part load (4)	25
6.6.2 High limit thermostat (5)	25
6.6.3 Fan speed at full load HTG (6)	25
6.6.4 Fan speed at part load (HTG and DHW - 7)	25
6.6.5 Starting point modulation (8)	25

6.6.6	Interface selection (G)	26
6.6.7	DHW cut-in temperature (b)	26
6.6.8	Fan Speed at DHW full load (C)	26
6.6.9	Forced part load time after start (HTG only - L)	26
6.6.10	DHW control stop set point (i)	27
6.6.11	DHW control option (J)	27
6.6.12	HTG cut in temp (n)	27
6.6.13	Boiler type (P)	27
6.6.14	Maximum delay time (U)	27
6.6.15	Start and end point analog signal (Q and Y)	27
6.7	Read-out mode (X, 0, 0)	28
6.8	Fan speed mode (r, 0, 0)	28
6.9	Failure mode (X, 0, 0)	29
<b>7</b>	<b>INSTALLATION INSTRUCTIONS</b>	<b>30</b>
7.1	General	30
7.2	Location	30
7.3	Flue gas discharge and air supply	31
7.3.1	General	31
7.3.2	Classification due to discharging flue gases	32
7.3.3	Material and installation	33
7.3.4	Single boiler conventional flue	33
7.3.5	Single boiler, room sealed flue	34
7.3.6	Different pressure zones	35
7.4	Hydraulic installation	36
7.4.1	Condensate and AAV discharge	36
7.4.2	Water treatment	36
7.4.3	Cold feed and expansion tank height for open vented systems	38
7.4.4	Safety valve	38
7.4.5	Gas connection	38
7.4.6	System pump	38
7.4.7	Waterflow	38
7.5	Modular installations	38
7.5.1	Introduction	38
7.5.2	The Remeha Quinta cascade system	39
7.5.3	Independent installation	39
7.6	DHW production	39
<b>8</b>	<b>ELECTRICAL INSTALLATION</b>	<b>42</b>
8.1	General	42
8.2	Specifications	42
8.2.1	Electrical supply	42

8.2.2	Control box	42
8.2.3	Fuse specification	42
8.2.4	Boiler temperature control	43
8.2.5	High limit temperature protection	43
8.2.6	Low-water protection (flow and content)	43
8.3	External connections	43
8.4	Boiler control	44
8.4.1	Modulating controls general (two wire control)	44
8.4.2	Analog control (0 -10 V dc)	45
8.4.3	On / off control (1 x no volt switched pair)	47
8.4.4	High / low control (2 x no volt switched pairs)	47
8.5	DHW control (Broag priority)	47
8.5.1	Temperature control	47
8.5.2	Primary flow control	47
8.6	System pump	47
8.7	Frost protection	47
8.8	Remote alarm and boiler run indication	48
8.9	Safety interlock	48
8.10	Wiring diagram	49
<b>9</b>	<b>COMMISSIONING</b>	<b>50</b>
9.1	Putting the boiler into operation	50
9.2	Shut-down	53
9.2.1	Temporary shut-down with frost protection	53
9.2.2	Permanent shut-down without frost protection	53
<b>10</b>	<b>FAULT-FINDING</b>	<b>54</b>
10.1	General (all installations)	54
10.2	Fault codes	55
<b>11</b>	<b>INSPECTION AND SERVICING INSTRUCTIONS</b>	<b>58</b>
11.1	General	58
11.2	Annual Inspection	58
11.3	Maintenance	60
11.4	Cleaning the fan	60
11.5	Cleaning the venturi	60
11.6	Cleaning the heat exchanger	60
11.7	Cleaning the burner assembly	61
11.8	Cleaning the siphon	61
11.9	Cleaning/replacing the ignition/ionisation electrode	61
11.10	Cleaning to inspection glass	61

## PREFACE

These technical instructions contain useful and important information for the correct operation and maintenance of the Remeha HTG boiler, model Quinta 115. Read these instructions carefully before putting the boiler into operation, familiarise yourself with its control functions and operation, strictly observing the instructions given. Failure to do so may invalidate warranty or prevent the boiler from operating.

The installation and commissioning of the boiler must be carried out by a competent Engineer, with the relevant certification ie: CORGI, ACOPS, IEE regs. etc. On completion a copy of the commissioning sheet should be returned to Broag Ltd for record purposes.

If you have any questions, or if you need more information about specific subjects relating to this boiler or its installation please do not hesitate to contact us. The data published in these technical instructions is based on the latest information (at date of publication) and may be subject to revisions. We reserve the right to continuous development in both design and manufacture, therefore any changes to the technology employed may not be retrospective nor may we be obliged to adjust earlier supplies accordingly.

## 1 GENERAL DESCRIPTION OF THE BOILER

The Remeha Quinta 115 is a wall hung condensing boiler which may be also installed free standing on a suitable frame (option). The one piece cast aluminium heat exchanger and other major components are contained within a sealed air box. This forms the main boiler casing with a removable front section for maintenance purposes. All electrical and electronic controls are contained within the instrument panel mounted behind the drop down lower front panel.

The combined flue gas outlet and combustion air inlet are mounted on the top of the boiler with the flow, return, gas and condensate connections located at the bottom. The boiler is suitable for room sealed or open flue applications and has been designed for central heating and indirect hot water production at working pressures not exceeding 4 bar. It must be installed on a fully pumped system and is suitable for use on both sealed and open vented installations (minimum operating pressure of 0.8 bar). The pre-mix, down firing gas burner (NG) with its gas/air ratio control system ensures clean, trouble free operation with higher than average efficiencies of 107% (NCV) in the condensing mode combined with ultra low NO<sub>x</sub> and minimum CO emissions. The standard control package allows actual and set values to be read and adjusted on the built in digital display which also provides normal operating and fault code indication. An intelligent, advanced boiler control ('**abc**') continuously monitors the boiler conditions, varying the heat output to suit the system load. The control is able to react to external "negative" influences in the rest of the system (flow rates, air / gas supply problems) maintaining boiler output for as long as possible without resorting to a lock out condition. At worst the boiler will reduce its output and/or shut down (shut-off mode) awaiting the "negative" conditions to return to normal before re-starting. The 'abc' control cannot override the standard flame safety controls.

The boiler meets the requirements of the EC regulations according to the following directives:

- 90/396EEC Gas appliances directive
- 92/42/EEC Efficiency directive
- 73/23/EEC Electrical low voltage directive
- 89/336/EEC Directive on electromagnetic compatibility E.M.C.
- 97/23/EEC Pressure equipment directive PED (art. 3, part 3)

Remeha Quinta 115 - PIN: 0063BL3253

## 2 CONSTRUCTION

### 2.1 Boiler layout

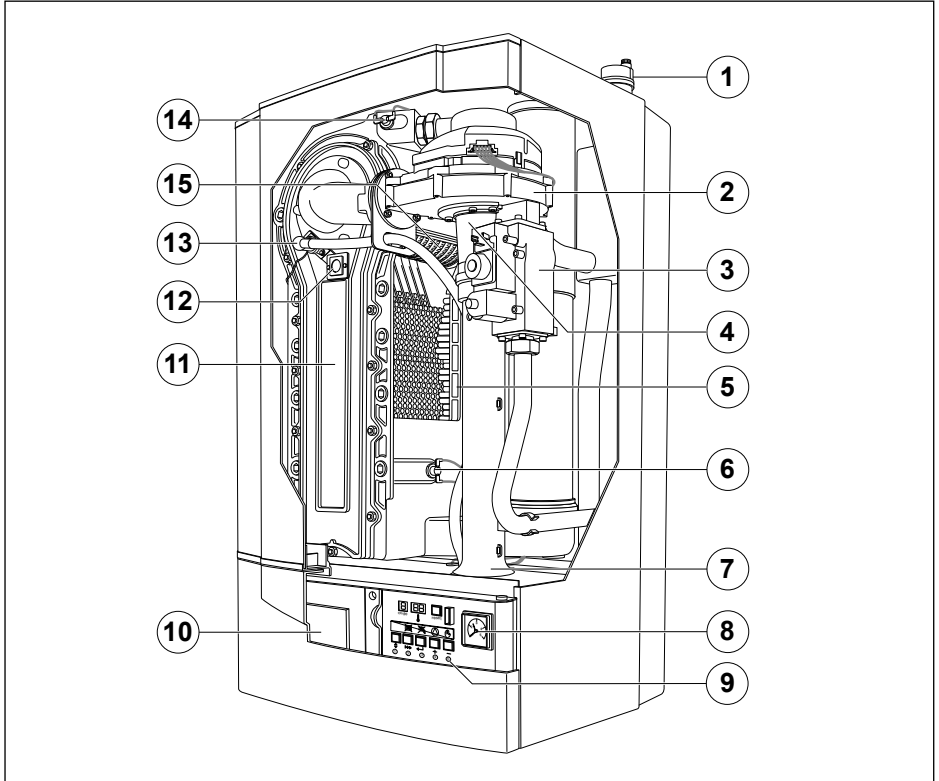


Fig. 01 Boiler layout Remeha Quinta 115\*

110397\_09

\* the illustration can be slightly different

- |                                    |  |
|------------------------------------|--|
| 1. Automatic air vent              | 9. Control panel   |
| 2. Air supply fan                  | 10. Facility for incorporating a weather compensated boiler control (DIN-dimensions) |
| 3. Gas combi-block (with governor) | 11. Heat exchanger inspection cover  |
| 4. Gas injector/venturi            | 12. Sight glass  |
| 5. Cast aluminium heat exchanger   | 13. Combined ignition/ionisation probe   |
| 6. Temperature sensor-return       | 14. Temperature sensor-flow  |
| 7. Air inlet tube                  | 15. Pre-mix burner   |
| 8. Pressure gauge                  |  |

## 2.2 Operating principle

Combustion air is drawn into the closed air box by a variable speed fan, through the air inlet connection from the plant room (open flued) or from outside via the concentric flue system (room sealed). On the inlet side of the fan is a specially designed venturi which is connected to the outlet side of the gas combi block.

Depending on the demand (under the dictates of flow/return sensor and other external/internal control inputs) the electronic control unit directly monitors the volume of gas and air being delivered to the premix burner. This mixture is initially ignited by the combined ignition/ionisation probe which then monitors the state of the flame. Should the flame not ignite or is unstable within the pre-set safety time cycle the controls will shut the boiler down (after 5 attempts) requiring manual intervention to reset the boiler. The digital display will also indicate a flashing fault code confirming the reason for the failure.

The products of combustion in the form of hot flue gases are forced through the heat exchanger transferring their heat to the system water (the flue gas temperature is reduced to approximately 5°C above the temperature of the system return water) then discharged via the condensate collector, vertically through the 100/150 mm combined flue/air connection to atmosphere.

Because of the low flue gas exit temperature there will be a vapour cloud formed at the flue gas terminal - this is not smoke, simply water vapour formed during the combustion process.

If the controls allow the flow and therefore return temperature to fall below dew point (55°C) this water vapour will begin to condense out in the boiler, transferring its latent heat into the system water, increasing the output of the boiler without increasing the gas consumption.

Condensation formed within the boiler and flue system is discharged from the boiler to an external drain via the drain pan / siphon supplied.



### 3 TECHNICAL DATA AND DIMENSIONS

#### 3.1 Dimensions

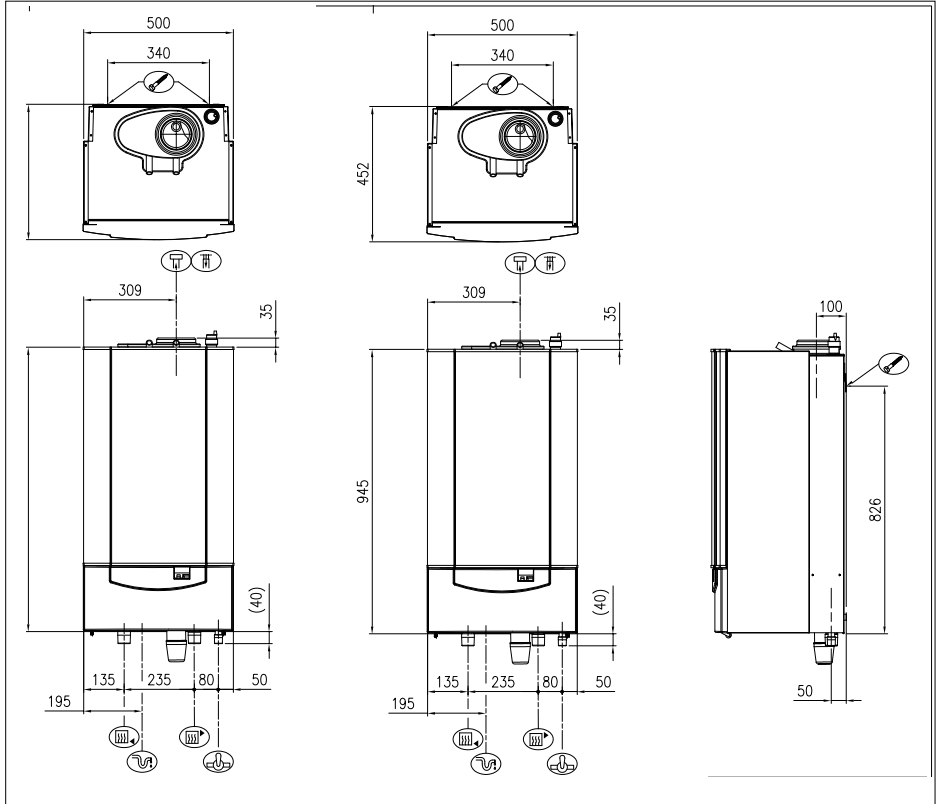









Fig. 02 Dimensions Remeha Quinta 115

05w4h7900024 + 00w4h7900048

-  Return connection 1¼" BSP (m)
-  Flow connection 1¼" BSP (m)
-  Gas connection ¾" BSP (m)
-  Condensate connection 25 mm Ø o/d (plastic)
-  Flue gas connection 100 mm Ø i/d
-  Combustion air supply connection 150 Ø i/d (or connection 100 Ø i/d, see Par. 7.3.1)
-  Holes for mounting bracket

**3.2 Technical data**

<b>Boiler type</b>		<b>Quinta 115</b>	
<b>General</b>			
Colour side and front casing Colour instrument panel flap	BS RAL	9016 7036	
Boiler control options (External input) (Two wire control)	On/off, High/low, Analog 0 -10V Communicating Modulation		
Nominal output (80/60°C)	kW	16,6 - 107	
Nominal output (50/30°C)	kW	18,4 - 114	
Nominal input (GCV / H <sub>s</sub> )	kW	19,1 - 123,2	
Nominal input (NCV / H <sub>i</sub> )	kW	17,2 - 111	
Weight dry	kg	74	
Noise level at 1 m from boiler	dB(A)	52,5	
<b>Gas- and flue details</b>			
Category		I <sub>2H</sub>	
Min/Max Inlet pressure natural gas	mbar	17 - 30	
Gas consumption (natural gas)	m <sup>3</sup> /h	1.8 - 11.7	
Emission (EN-297 A3)	NO <sub>x</sub>	mg/kWh	< 45
	CO	mg/kWh	< 31
Residual fan duty	Pa	220	
Mass flue rate	kg/h	29 - 187	
Classification due to discharging flue gases	B23, B23P, C13, C33, C43, C53, C63, C83		
<b>Water side</b>			
Maximum flow temperature	°C	100 (110)	
Operating flow temperature	°C	20 - 90	
Operating pressure min. (open vented) *	bar	0.5	
Operating pressure min. (pressurised)	bar	0.8	
Operating pressure max.	bar	4.0	
Water contents	ltr	7.5	
Water resistance at 11°C ΔT	mbar	826	

Water resistance at 20°C $\Delta T$	mbar	250
Nominal flow at 11°C $\Delta T$	l/s	2.34
Nominal flow at 20°C $\Delta T$	l/s	1.29
<b>Electrical</b>		
Main supply	V/Hz	230 / 50
Electric rating without pump	W	40 - 240
Insulation class	IP	X0C

Table 01 Technical data Remeha Quinta 115

\* see par. 7.4.3

### 3.3 General Specification

(to be read with above table)

- One piece cast aluminium heat exchanger.
- 1¼" BSP (m) flow and return connections.
- ¾" BSP (m) gas connection.
- Maximum operating pressure of 4.0 bar.
- Maximum operating temperature of 90°C.
- Pre-mix, fully modulating (16 -100%) gas burner with gas/air ratio control for maximum efficiency.
- Intelligent advanced boiler control '**abc**' c/w a comprehensive operating, service and fault diagnostic facility.
- Available for conventional flue or room sealed operation.
- Capable of remote BMS (0 -10V, on/off and High/low control options).
- Supplied fully factory assembled.
- Powder coated enamel steel casing.
- Suitable for use with Natural gas.
- Supplied as standard with safety interlock facility, temperature indication, control and high limit sensors, common alarm and boiler run indication.
- Efficiency of 97 % at 80/60°C (Hi).
- Max. efficiency of 107.1 % (Hi) in fully condensing mode.
- Restrictor L-gas with assembly instructions.
- Manufactured to ISO 9001.
- CE approved.

### 3.4 Options

- Cascade sets for 2 to 7 boilers in linear configuration and 3 to 10 boilers in back-to-back configuration.
- Frames for free-standing cascade configuration of a maximum of 10 wall-mounted boilers.
- Floor frame.
- Two pipe flue/air inlet adapter plate (excentric room sealed).
- DHW-sensor.
- Weather compensating controllers.
- Heat exchanger cleaning tool.
- EMC filter for boiler sensor or boiler thermostat cables (when sensor wires exceed 3 m. length).
- Service case
- Outdoor sensor.
- Recom communication set with CD-rom, interface and wiring.

## 4 EFFICIENCY INFORMATION

### 4.1 Annual efficiency

107.1% at  $H_i$  at an input of 30% and a return temperature of 30°C.

### 4.2 Heat to water efficiency

a. Up to 97% at  $H_i$  at an average water temperature of 70°C (80/60°C).

b. Up to 102.5% at  $H_i$  at an average water temperature of 40°C (50/30°C).

**NOTE:**  $NCV = H_i$ ,  $GCV = H_s$

## 5 APPLICATION INFORMATION

The Quinta 115 can be used on all new and re-furbishment projects in both single and multiple configurations. Conventional and room sealed flue system capability means that the boiler can be sited almost anywhere within a building.

The Remeha range of weather compensators (options) are able to communicate directly with the boiler controls (two wire) to make full use of its fully modulating feature, ensuring that the boiler closely matches the system demand at all times. External control systems (BMS) can be interfaced with the boiler to provide on/off - high/low or modulating (0 -10 V) control options.

## 6 CONTROL AND SAFETY EQUIPMENT

### 6.1 The control panel

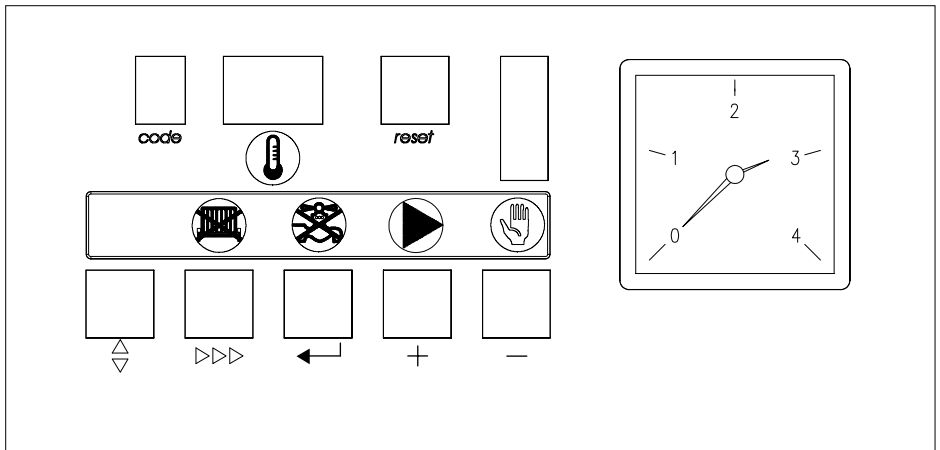
#### 6.1.1 General

The boiler is supplied with a standard set of defaults pre-programmed for normal operation but can be tailored by the Engineer to suit most site conditions. These values are set and read using the built in control panel or with a notebook computer/ PDA (with an interface and software available from Broag).

For security the control has three levels of access:

- User level - free access
- Service level - access with service code by qualified personnel
- Factory level - access by PC with factory code (Remeha only)

#### 6.1.2 Layout of the control panel



*Fig. 03 Control panel*

00.W4H.79.00044

a. 'code'-display	
Indicates on user level:	operating mode: only one digit
	setting mode: digit with dot
	read-out mode: digit with flashing dot
	shut-off mode: letter
	forced full load: letter
	forced part load: letter
Additional indication on service level:	speed mode: alternate half digit
	failure mode: flashing digit
b. -display	
Indicates:	Temperatures, settings, fault codes (flashing digits), shut-off codes (flashing dots)
c. <b>reset</b> -key:	to reset after a lockout condition
d. -key:	Program function: key to select the required mode
e. '▶▶▶'-key:	Program function: key to select the required program within the selected mode
e. '▶▶▶'-key + -symbol:	Switch function: burner switch HTG (manual override)
f. '←'-key:	Program function: key to save the settings
f. ←-key + -symbol:	Switch function: burner switch DHW (manual override)
g. [+]-key:	Program function: to select a higher setting
g. [+]-key + -symbol:	Switch function: pump manual override
h. [-]-key:	Program function: to select a lower setting
h. [-]-key + -symbol:	Switch function: manual override (hand/auto)

Table 02 Control panel functions

### 6.1.3 Combined key functions (in operating mode only)

When the boiler is in the operating mode, keys with the illuminated symbols above have a double function (Program and Switch).

To use them for a Program function press the key once - and for a Switch function (either on or off) press the key and hold for 2 secs.

The status of the switch function will be confirmed by the illuminated symbol as follows:

**'>>>'-key and -symbol:**

- (symbol) not illuminated: HTG under normal control
- red (symbol) on: HTG off (manual override)

**'←'-key and -symbol:**

- (symbol) not illuminated: DHW under normal control
- red (symbol) on: DHW off (manual override)

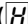


**[+]-key and -symbol:**

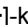
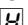
- green (symbol) on: continuous pump operation
- (symbol) not illuminated: pump under boiler control

**[-]-key and -symbol:**

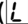

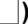
- green (symbol) on: HTG on (manual override)
- (symbol) not illuminated: HTG under normal control

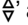

**NOTE:** In the Switch function, (in order to protect the boiler and the installation) the flow temperature cannot exceed its pre-set maximum. It is also not possible to change any parameters.

**Forced mode 'high' (  **

By pressing the '' and [+]-key simultaneously in operating mode, the boiler will burn at maximum power. The letter  will now appear on the display.

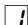













By pressing the [+ ] and [-]-keys simultaneously, the boiler will return to operating mode. Following a manual override the boiler will return to normal (auto control) if no keys are used within a 15 minute period

**Forced mode 'low' (  **

By pressing the '' and [-]-key simultaneously in operating mode, the boiler will burn at minimum power. The letter  will now appear on the display. By pressing the [+ ] and [-]-keys simultaneously, the boiler will return to operating mode. Following a manual override the boiler will return to normal (auto control) if no keys are used within a 15 minute period.

**6.1.4 Display of values with more than two digits**

The display has only two digits available therefore values over this are displayed as follows :

- negative values will be indicated by a dot behind the last digit e.g.   = -10
- values from 00 to 99 will be indicated without any punctuation marks
- values from 100 to 199 will be indicated by a dot between both digits e.g.   = 100,   = 110,   = 199.
- values from 200 to 299 will be indicated by a dot behind every digit e.g.   = for 200,   = 210,   = 299.

## 6.2 Flow diagram control system

press the '△' -key	press the '▶▶▶'-key	
	'code'-display	⊕display
Operating mode, see Par. 6.3	only digit or letter	
	0 - 9, H, L, b	Flow temperature or shut-off code
Setting mode, user level, see Par. 6.5	digit or letter with dot	
	1.	Flow temperature set point
	2.	Pump run on time HTG
	3.	DHW temperature set point
	R.	Boiler control setting
	u.	n/a
Setting mode, service level, see Par. 6.6	<b>service engineer level only:</b>	
	4.	Flow temperature set point during forced part load
	5.	High limit temperature set point
	6.	Fan speed at full load (HTG)
	7.	Fan speed at part load (HTG and DHW)
	8.	Modulation start point $\Delta T$ (F/R)
	9.	Interface selection (control option)
	b.	DHW cut-in $\Delta T$
	c.	Fan speed at full load (DHW)
	d.	intern



	<b>E</b>	n/a
	<b>F</b>	n/a
	<b>G</b>	Forced part load time after start (HTG)
	<b>H</b>	Fan speed at start
	<b>I</b>	DHW control stop or boiler modulation set point (based on parameter <b>3</b> )
	<b>J</b>	DHW control mode
	<b>L</b>	n/a
	<b>n</b>	HTG cut in $\Delta T$ (based on return)
	<b>o</b>	n/a
	<b>P</b>	Boiler type
	<b>t</b>	intern
	<b>U</b>	Maximum delay time
	<b>q</b>	Start point for 0 V analog signal
	<b>y</b>	End point for 10 V analog signal
	<b>II</b>	Intern
Read-out mode, see Par. 6.7	digit or letter with flashing dot	
	<b>1</b>	Actual flow temperature
	<b>2</b>	Actual return temperature
	<b>3</b>	Actual DHW temperature (with sensor)
	<b>4</b>	Actual outdoor temperature (with Chronotherm sensor)
	<b>5</b>	n/a
	<b>6</b>	Flow temperature (set point)
	<b>7</b>	Actual heat demand status
	<b>8</b>	Calculated HTG cut-in temperature
	<b>9</b>	Actual flow temperature rise
	<b>R</b>	n/a

service engineer level only:		
Speed mode, see Par. 6.8	alternate half digit $\square$	Fan speed
Failure mode, see Par. 6.9	flashing digit	
	$\square$ 1	Failure code
	$\square$ 2	Operating code during failure
	$\square$ 3	Flow temperature during failure
	$\square$ 4	Return temperature during failure
	$\square$ 5	DHW temperature during failure
	$\square$ 6	n/a

Table 03 Flow diagram control system

### 6.3 Operating mode (X□□)

During operation the code-display shows the status (position in cycle) of the boiler, whilst the  $\downarrow$ -display indicates the actual flow temperature.

The digits or letters in the code-display have the following meaning:

Code	Description
$\square$ 0	Standby: there is no heat demand from control system.
$\square$ 1	Pre-purge: before start-up, the boiler is purged for 4.2 seconds. Post-purge: when the heat demand has been met, the fan continues to operate for another 10 seconds.
$\square$ 2	Ignition: ignition is activated for 2.4 seconds while the gas valve is opened.
$\square$ 3	HTG mode; the boiler operates in the HTG mode.
$\square$ 4	DHW mode: the three way valve or DHW pump activated (Broag priority only)
$\square$ 5	Internal check
$\square$ 6	Normal control stop during HTG (flow temperature > set point + 5 °C)
$\square$ 7	HTG pump run on
$\square$ 8	DHW pump run on or for three way valve option, HTG pump run on with valve open to DHW (max. 5 minutes)
$\square$ 9	Normal control stop during DHW (flow temperature > set point DHW + DHW control stop set point + 5°C)

<b>b</b>	Shut-off mode
<b>H</b>	Forced full load.
<b>L</b>	Forced part load.

Table 04 Operating codes

#### 6.4 Shut-off mode (**bXX.X**)


During shut-off mode condition the code-display will show a **b**, whilst the -display indicates the cause with two flashing dots.

Table below details cause of shut-off mode.


Code	Description
<b>b25</b>	Maximum acceptable flow temperature rise exceeded. The boiler will shut off for ten minutes, then restart. Should the flow temperature conditions remain the same after 5 attempts, this code will be recorded as a shut-down failure. Boiler will not lockout.
<b>b26</b>	Contacts of the external interlock have opened during heat demand. The boiler will shut off for 120 seconds. Should the contacts close again during heat demand, the boiler will wait the remaining time from the 120 seconds before attempting a restart.
<b>b28</b>	Internal check on fan speed. After 5 attempts, the boiler will lockout. This code will be recorded.
<b>b29</b>	Internal check on fan speed. After 5 attempts, the boiler will lockout. This code will be recorded.
<b>b30</b>	Maximum temperature difference between flow and return exceeded. The boiler will shut off for 150 seconds, then restart. Should the temperature difference conditions remain the same after 10 attempts, this code will be recorded as a shut-down failure. Boiler will not lockout.
<b>b43</b>	One or several adjusted parameters out of range including some factory defaults which should not have been changed. Check and reset parameters: <ul style="list-style-type: none"> <li>- press the 'reset'-key immediately followed by pressing the -key for about 12 sec.,</li> <li>- 'code'- display shows <b>P</b>,</li> <li>- use <b>[+]</b> and <b>[-]</b>-keys to enter correct boiler parameter ( <b>P</b>=<b>14</b>),</li> <li>- press <b>←</b>-key to confirm settings,</li> <li>- check parameter settings and change were needed or desired.</li> </ul>

Table 05 Shut-off codes

**NOTE:** Shut-off mode is a normal boiler operating function and does not represent a boiler failure.

However, this may indicate a system problem, an internal boiler check or an incorrect parameter setting.

**6.5 Setting mode user level (X.□□)**

Code	Description	Setting range	Preset
1	Flow temperature set point	20-90 °C	80
2	Pump run on time HTG	00 = pump run on 10 seconds	03
		01-15 = pump run on in minutes	
3	DHW temperature set point	20-75 °C (only with sensor)	55
R	Boiler control setting	Control mode (modulating-on/off etc.)	11
U	Base point internal compensation slope	n/a	20

Table 06 Setting mode user level

**Note:** Changing code 2 and code R should only be on design engineers advice.

### 6.5.1 Flow temperature set point (1)

The required flow temperature is adjustable from 20 to 90°C.

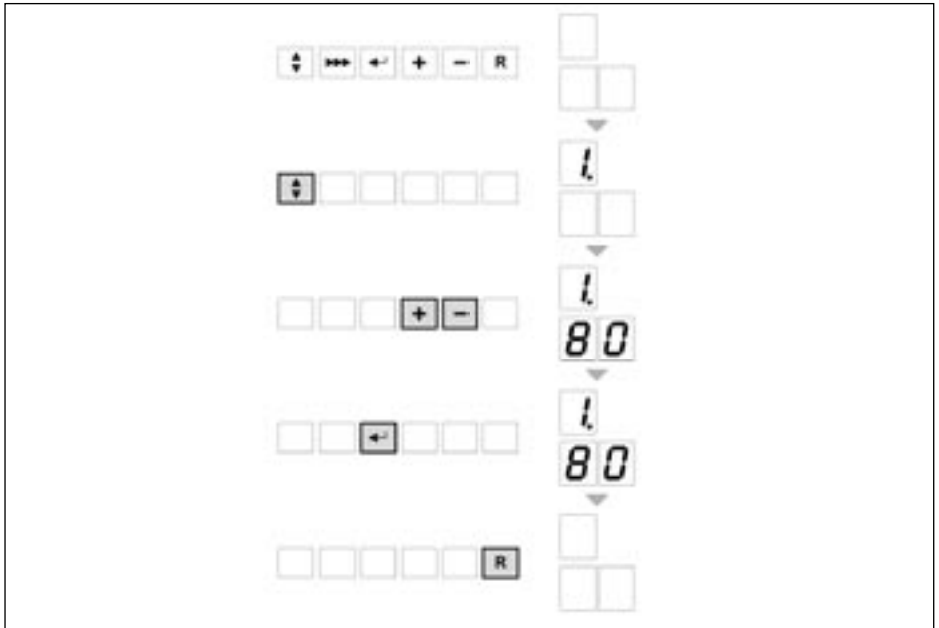


Fig. 04 Typical setting change procedure

110397\_5

### 6.5.2 Pump run on time HTG (2)

Pump run on time can be adjusted (Please refer to installation contractor)

- Press the '1' -key until the digit 1 (with dot) appears in the 'code'-display.
- Press the '>>>'-key until the digit 2 (with dot) appears in the 'code'-display.
- Set the required value, using the [+ ] and [-]-keys.
- Press the '<'-key to store the new value (value will flash twice).
- Press the 'reset'-key to return to operating mode.

**NOTE:** For continuous pump operation use manual override, see Par. 6.1.3.

Code	ⓘ	Description
2	00	Pump runs on for 10 seconds
2	X.X	Pump runs on for 1 to 15 minutes (X.X = 0.1 to 1.5)

Table 07 Pump run on time HTG

### 6.5.3 DHW temperature set point (3)

The DHW temperature is adjustable from 20 to 75°C (factory default 55°C). Only with Broag DHW priority sensor.

- Press the '⬆️'-key until the digit 1 (with dot) appears in the 'code'-display.
- Press the '▶▶▶'-key until the digit 3 (with dot) appears in the 'code'-display.
- Set the required value, using the [+] and [-]-keys.
- Press the '⬅️'-key to store the new value (value will flash twice).
- Press the 'reset'-key to return to operating mode.

**REMARK:** there are further adjustments available on service level. Please refer to your service engineer or contractor (see Par. 6.6.7).

### 6.5.4 Boiler control setting (R)

The boiler is factory set to option 11 (HTG modulating or on/off with DHW on)  
To change the control option:

- Press the '⬆️'-key until the digit 1 (with dot) appears in the 'code'-display.
- Press the '▶▶▶'-key until the digit R (with dot) appears in the 'code'-display.
- Set the required X and Y values as listed below in using the [+] and [-]-keys.
- Press the '⬅️'-key to store the new value (value will flash twice).
- Press the 'reset'-key to return to operating mode

With the 'code'- display showing R - the Ⓜ️-display will indicate the method of boiler control in the first segment X and the option to turn the HTG and DHW on or off in the second segment Y. By using codes from the table below a series of control options are available

Example : XY

- 11 - Boiler enabled internal modulation with booster on \* - HTG and DHW on (as default)
- 42 - Analog signal 0 -10V on temperature - HTG on and DHW off
- 23 - Boiler high/low - HTG off and DHW on

Ⓜ️-display	Description
First segment X	Boiler control option
1	Boiler enabled internal modulation with booster on *
2	Boiler high/low
3	Boiler enabled internal modulation with booster off *
4	Analog signal 0 -10 V on temperature
5	Analog signal 0 -10 V on output %


 -display	Description
Second segment <input type="checkbox"/> Y	Operation mode
<input type="text" value="0"/>	HTG and DHW off
<input type="text" value="1"/>	HTG and DHW on
<input type="text" value="2"/>	HTG on and DHW off
<input type="text" value="3"/>	HTG off and DHW on

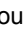

Table 08 Boiler control option

\* **NOTE:** Booster function n/a in UK

### 6.6 Setting mode service level (X.0.0)

(only for the qualified service engineer with product knowledge)

To prevent accidental, unauthorised access by non-qualified persons the control system requires an input code to gain access to the second level of boiler control.

- Press the '⬆' - and '>>>'-keys simultaneously and hold. The 'code'-display now shows a letter  with a random number in the -display.
- While holding both keys pressed, set the -display to , using the [+ ] or [- ]-keys and press the '←'-key.
- The display will flash twice confirming acceptance of the access code.
- Release the keys and  will dissappear from the display. You are now in the service mode

**WARNING:** changing factory defaults without reference to the tables contained in this manual may result in incorrect operation.

- To delete the service code press the 'reset'-key once
- If no keys are pressed over a 15 minute period the service code will delete automatically

Code	Description	Setting range	Preset
<input type="text" value="4"/>	Flow temperature set point during forced part load	<input type="text" value="20"/> - <input type="text" value="90"/> °C	<input type="text" value="79"/>
<input type="text" value="5"/>	High limit temperature set point	<input type="text" value="90"/> - <input type="text" value="110"/> (= 110°C)	<input type="text" value="00"/> (=100)*
<input type="text" value="6"/>	Fan speed at full load (HTG)	<input type="text" value="10"/> - <input type="text" value="70"/> hundreds	<input type="text" value="70"/>
<input type="text" value="7"/>	Fan speed at part load (HTG and DHW)	<input type="text" value="10"/> - <input type="text" value="60"/> hundreds	<input type="text" value="13"/>

<b>B</b>	Modulation start point $\Delta T$ (F/R)	05 – 30 °C	20
<b>G</b>	Interface selection (control option)	00 internal (Chronotherm control only)	01
		01 external interface	
<b>b</b>	DHW cut-in $\Delta T$	10 – 05 read 1 - 5 °C 06 read 10 °C 07 read 15 °C 08 read 20 °C	05
<b>C</b>	Fan speed at full load (DHW)	10 – 70 hundreds	70
<b>d</b>	Intern	May not be changed!	00
<b>E</b>	N/a		00 (=100)*
<b>F</b>	N/a		25
<b>G</b>	Forced part load time after start (HTG)	00 – 15 minutes	03
<b>H</b>	Fan speed at start	May not be changed!	25
<b>I</b>	DHW control stop or boiler modulation set point (based on parameter <b>3</b> )	00 – 30 °C	20
<b>J</b>	DHW control option	00 = Three way valve (port A = HTG, port B = DHW) 01 = DHW pump 02 = inverted three way valve (port A = DHW, port B = HTG)	01
<b>L</b>	Variable speed pump	n/a	03 (=103)*
<b>n</b>	HTG cut in $\Delta T$	10 (= -10°C) – 20 °C	03
<b>o</b>	N/a		10
<b>P</b>	Boiler type	May not be changed!	14
<b>L</b>	Intern	May not be changed!	01
<b>U</b>	Maximum delay time	00 – 99 minutes	15



9	Start point for 0 V analog signal	50 (= -50) – 50 °C	00
4	End point for 10 V analog signal	50 – 99 (=299) °C	00 (=100)*
11	Intern		10

Table 09 Settings service level

\*NOTE: see Par. 6.1.4 for values over two digits

### 6.6.1 Flow temperature set point during forced part load (4)

Adjustable from 20 to 90°C.

This value will prevent the flow temperature exceeding this temperature during the part load time.

### 6.6.2 High limit thermostat (5)

Adjustable from 90 to 110°C (10).

This value sets the high limit temperature at which the boiler will shut down in a lock out condition requiring manual intervention.

**Note:** this parameter will have an effect on the minimum flow rate requirement, see Par. 7.4.7.

### 6.6.3 Fan speed at full load HTG (6)

Adjustable from 18% to 100% output (= approx. 1300 to 7000 rpm). This value sets the maximum output of the boiler.

### 6.6.4 Fan speed at part load (HTG and DHW - 7)

Adjustable from 18% to 100% output (= approx. 1300 to 7000 rpm). This value sets the minimum output of the boiler.

### 6.6.5 Starting point modulation (8)

Adjustable from 5 to 30°C.

This value sets the flow/return  $\Delta T$  point at which the control modulation begins. If the  $\Delta T$  continues to rise, at 40°C the boiler will be at minimum output (parameter 7), at 45°C the boiler will shut off (code b30, see Par. 6.4).

The factory default should be correct for most installations. Changing this value should only be carried out on advice from the service engineer. Don't change the factory default for the minimum output (parameter 7), in cases of minimal flow.

**NOTE:** Installations with low flow problems would benefit by reducing this set point to force modulation to begin sooner and minimise boiler off time.

**6.6.6 Interface selection (9)**

Adjustable 00 or 01.

This value sets the control option.

01 for standard 0 -10 V external control.

00 for the Honeywell Chronotherm option.

**6.6.7 DHW cut-in temperature (b)**

Adjustable from 01 to 20 °C (8 steps, see Table 09).

**DHW demand**

With sensor:

- The DHW demand is satisfied when the DHW temperature equals the DHW set point temp (parameter 5) + 5°C.

- The DHW cut-in temperature sets the  $\Delta T$  below this end point for DHW demand.

Cut-in temperature = DHW set point (55) + 5 - parameter b (5), i.e. 55 + 5 - 5 = 55°C.

With thermostat:

- The thermostat determines the DHW demand.

**Boiler modulation during continuing DHW demand**

Sensor and thermostat:

- The boiler will modulate when the flow temp equals the DHW set point + DHW control stop set point (parameter i) i.e. 55+20 = 75.

- The boiler carries out a control stop at a flow temp of 80°C (modulation point + 5°C), the display initially shows 980, reducing to 975.

- The DHW cut-in temperature sets the below this control stop.

Cut-in temperature = DHW set point (55) + DHW control stop set point (parameter i) + 5 - parameter b (5), i.e. 55 + 20 + 5 - 5 = 75

**6.6.8 Fan Speed at DHW full load (c)**

Adjustable from 18% to 100% output (= approx. 1300 to 7000 rpm).

This value sets the maximum output of the boiler.

**Parameters d - E - and F are factory set and must not be changed**

**6.6.9 Forced part load time after start (HTG only - l)**

Adjustable from 00 - 15 min.

This value sets the period of time the boiler will stay on part load at start up during which time the flow temp is limited by part load temp set point (parameter 4)

Changing the factory default should only be carried out on advice from the service engineer.

**NOTE:** When using an external analog (0 -10 V) or 2 wire modulation input, the factory default 03 should be changed to 00.

**Parameter  $\boxed{H}$  factory set must not be changed**

### 6.6.10 DHW control stop set point ( $\boxed{I}$ )

Adjustable from  $\boxed{00}$  -  $\boxed{30}$  °C.

Refer to Par. 6.6.7.

### 6.6.11 DHW control option ( $\boxed{J}$ )

This value sets the DHW control option.

$\boxed{00}$  Three way diverting valve (port A - HTG and Port B - DHW)

$\boxed{01}$  DHW pump

$\boxed{02}$  Inverted three way diverting valve (port B - HTG and Port A - DHW)

**Parameter  $\boxed{L}$  not applicable**

### 6.6.12 HTG cut in temp ( $\boxed{N}$ )

Adjustable  $\boxed{10}$  (-10) to  $\boxed{20}$  °C.

This value sets the  $\Delta T$  below actual return temp at the moment of control stop during HTG demand.

A control stop occurs when the flow temp equals the flow temp set point + 5°C.

HTG cut in temperature = actual return temperature at the moment of control stop (e.g. 60) - parameter  $\boxed{N}$  (3)

ie 60 - 3 = 57°C

If this takes longer than the maximum delay time (parameter  $\boxed{U}$ ), the boiler will restart (unless flow temperature exceeds flow temperature setpoint).

**Parameter  $\boxed{O}$  not applicable**

### 6.6.13 Boiler type ( $\boxed{P}$ )

Factory default must not be changed.

Parameter  $\boxed{E}$  factory set must not be changed.

### 6.6.14 Maximum delay time ( $\boxed{U}$ )

Adjustable from  $\boxed{00}$  -  $\boxed{99}$  minutes.

This value sets the maximum off time following a control stop. The minimum off time is preset to a fixed value (150 sec.).

A combination of both values is used to prevent hunting taking place.

### 6.6.15 Start and end point analog signal ( $\boxed{Q}$ and $\boxed{Y}$ )

Start point (0 V): adjustable between  $\boxed{50}$  (-50)°C and + $\boxed{50}$ °C .

This value sets the required flow temp at 0 V signal input (restricted by the min flow set point).

End point (10 V): adjustable between +5 1 °C and 9 9 (+299)°C .  
 This value sets the required flow temp at 10 V signal input (restricted by the max flow set point).

**NOTE:** These settings are only applicable when boiler control operation parameter (R) has the X value set to 4.

**6.7 Read-out mode (X 0 0)**

To check boiler set points and values.

Using the '⬆'-key, press repeatedly until 1 (flashing dot) appears in the 'code'-display. Then select the required code 2, 3 or 4 etc. using the '▶▶'-key.

Code	Description	Read-out (example)
1	Actual flow temperature	8 0
2	Actual return temperature	7 0
3	Actual DHW temperature (only with sensor connected)	5 8
4	Actual outdoor temperature (only with sensor connected)	0 5
5	n/a	3 7
6	Flow temperature (set point)	8 0
7	Actual heat demand status	1 X = demand; 0 X = no demand
8	Calculated HTG cut-in temperature	6 7
9	Actual flow temperature rise [0.1 °C/sec]	0 2
R	n/a	

Table 10 Read-out mode user level

**6.8 Fan speed mode (0 0 0)**

Using the '⬆'-key, press repeatedly until 'code'-display shows alternate flashing half digits.

The value in the 0 -display shows the actual fan speed using two alternate double digits as table:

Code	Description	Example 7000 r/m
[1]	Fan speed	[7][0] hundreds
[1]	Fan speed	[0][0] units

Table 11 Fan speed mode service level

### 6.9 Failure mode (X 0 0)

To check the latest failure with the accompanying operating codes and relevant temperatures.

Using the '⬆' -key, press repeatedly until [1] (flashing digit) appears in the 'code'-display.

Then select the required code [2], [3] or [4] etc. using the '▶▶▶'-key and read off the relevant value.


Code		Description
[1]	[3][7]	Display of failure code (see Par. 10.2)
[2]	[0][3]	Operating mode during failure
[3]	[5][3]	Flow temperature during failure
[4]	[4][0]	Return temperature during failure
[5]	[6][0]	DHW temperature during failure
[6]	[3][7]	n/a

Table 12 Failure mode on service level

Example as above:

Failure code [3][7] indicates the return temperature sensor failed during HTG operation ([0][3]), at a flow temperature of 53°C, a return temperature of 40°C and DHW temperature of 60°C.

## 7 INSTALLATION INSTRUCTIONS

### 7.1 General

The complete installation must comply with the current editions of relevant British Standards and codes of practice, including the latest local and national regulations for this type of equipment.

All gas appliances must, by law, be installed by a competent qualified engineer registered with CORGI and holding the relevant qualifications and certificates (for example ACOPS and IEE regs.)

#### Important:

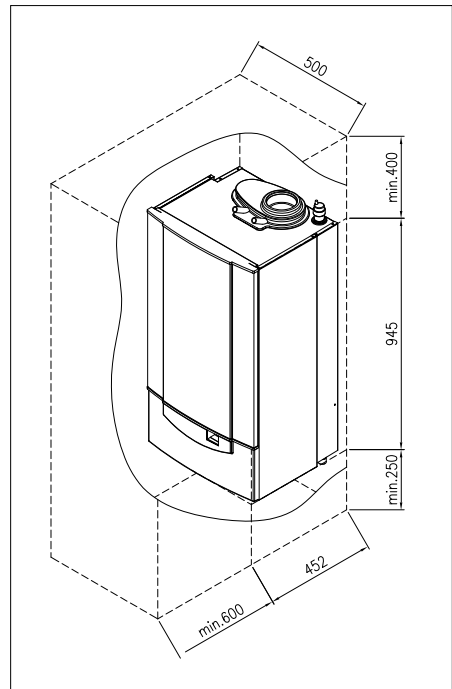
The Remeha Quinta 115 is a CE certified appliance and must not therefore be modified or installed in any way contrary to these "Installation and Maintenance Instructions". These manufacturer's Instructions must NOT be taken as overriding statutory obligations. Failure to install this appliance correctly could result in an unsafe condition which can lead to prosecution. It is your own interest and that of safety to ensure that the law is complied with.

### 7.2 Location

The Remeha Quinta 115 is primarily designed for wall mounting (on the bracket supplied). The wall should be flat, vertically plumb and capable of supporting the full weight of the boiler full of water. An optional floor frame can be used for a free standing installation or where the wall cannot carry the weight. The temperature in the installation area may not be higher than 40°C; this is to guarantee the service life of the various components.

The following minimum clearances are required:

- Front: 600 mm
- Sides: 25 mm
- Bottom: 250 mm
- Top: 400 mm.



**Fig. 05** Minimum clearances around the boiler

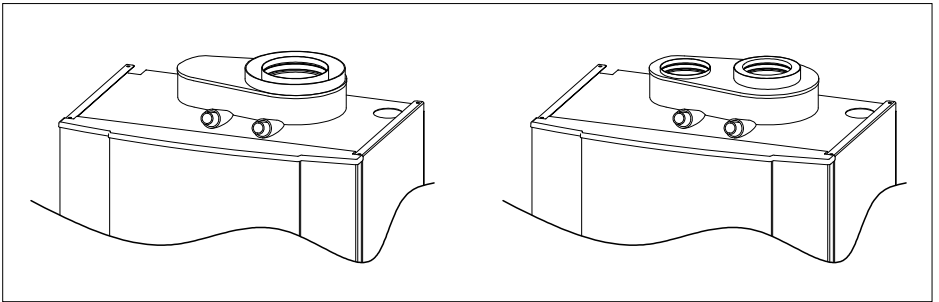
05.W4H.79.00026

### 7.3 Flue gas discharge and air supply

#### 7.3.1 General

The Remeha Quinta 115 is suitable for conventional room ventilated or room sealed operation. Specify at the time of ordering if the boiler is to be installed for twin pipe room sealed operation. In that case, the boiler will be supplied with an optional adaptor plate (concentric to twin pipe).

Before installing flue system, remove the transit cover plate/s.



*Fig. 06 Top view Remeha Quinta (standard concentric version with optional twin pipe adaptor shown right)*

05.W4H.79.00006 + 00.W4H.79.00012

Horizontal components in the flue gas discharge system should slope towards the boiler.

Horizontal components in the air supply system should slope towards the supply opening.

Care should be taken when siting flue exit positions as a vapour plume will be visible when the boiler is operational (flue gas temperature will be less than 75°C resulting in the water vapour condensing out on contact with the air).

### 7.3.2 Classification due to discharging flue gases

Classification according to CE:

- Type B2B:** Conventional room ventilated boiler without draft diverter. Air supply from boiler room: flue gas discharge on roof.
- Type B23P:** Conventional room ventilated boiler without draft diverter. Air supply from boiler room: flue gas discharge on roof, metal flue gas discharge with CE symbol, meets pressure class P1.
- Type C13:** Room sealed boiler, connected to combined wall outlet.
- Type C33:** Room sealed boiler, connected to a combined roof outlet.
- Type C43:** Room sealed boiler in cascade configuration, connected via two ducts to a common duct system serving more than one boiler.
- Type C53:** Room sealed boiler, connected to separate ducts for the air supply and flue gas discharge, terminated in zones of different pressure.
- Type C63:** Room sealed boiler, supplied without the terminal or the air supply and flue gas discharge ducts.
- Type C83:** Room sealed boiler, connected via two ducts to a common duct system serving more than one boiler. (flue gas discharge always under pressure)

#### Conventional open flue installation:

Combustion air for the boiler must be provided to the room/compartment in accordance with the British Standards.

For maximum flue length, see *table in Par. 7.3.4*.

#### Room sealed installations:

It is unnecessary to provide separate combustion air to the room/compartment as this is supplied direct to the boiler via the concentric or eccentric system and the room sealed horizontal or vertical terminal unit.

Additional ventilation will be required to the room/compartment in accordance with the British Standards (compartment ventilation).

For maximum flue/air inlet length, see *table in Par. 7.3.5*.

For installations where supply and discharge points are in two different pressure zones (eccentric only), please contact Broag Technical Dept. for further details and advice.

See also *Par. 7.3.6*.

**NOTE:** the boilers can be installed on a flue dilution system, but must have a total flue break to avoid boiler controls being affected by the flue dilution fan pressures. For full details please contact Broag.



### 7.3.3 Material and installation

#### Flue gas discharge:

Rigid single walled: stainless steel (316), aluminium or plastic (to comply with building regulations).

Flexible: stainless steel (316).

Construction: all joints and seams should be gastight and watertight with the horizontal runs graded towards the boiler to allow condensate free drainage to the boiler.

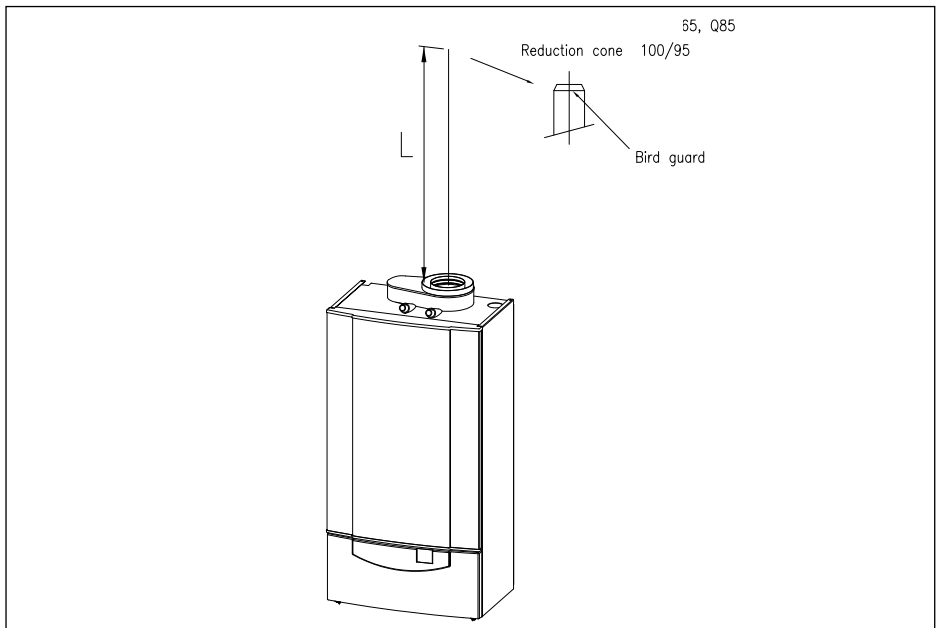
Horizontal lengths in excess of 2M should incorporate a condensate drain.

The flue outlet should terminate with reduction cone and bird guard only (chinamans hat or GLC type terminals etc. should not be used). Use vertical flue terminal MG 87973 for classification C33 and use horizontal flue terminal MG 87996 for classification C13 (concentric room sealed). Flue material for classification C6 must comply EN 483 annex N and must always be in draft condition.

#### Air supply:

Single walled, rigid or flexible: aluminium, stainless steel and plastic (to comply with building regulations).

### 7.3.4 Single boiler conventional flue



**Fig. 07** Flue gas discharge duct without bends, single boiler, conventional flue.

04.W4H.79.00002

Quinta 115		Ø 100 mm	Ø 125 mm
maximum Length L	m	19	74
Eq. Length bend 45°	m	1.4	1
Eq. Length bend 90°	m	4.9	1,7

Table 13 Calculation data conventional flue

**Example:** Quinta 115, total length 15 m, 2 bends 45°.   
 $15\text{ m} + 2 \times 1.4 = 17.8 < 19$ : **flue Ø 100mm OK.**

**Note:** If the design parameters are outside the values shown in the above table or there is any doubt over the flue system, please contact our technical department for calculation to be undertaken.

### 7.3.5 Single boiler, room sealed flue

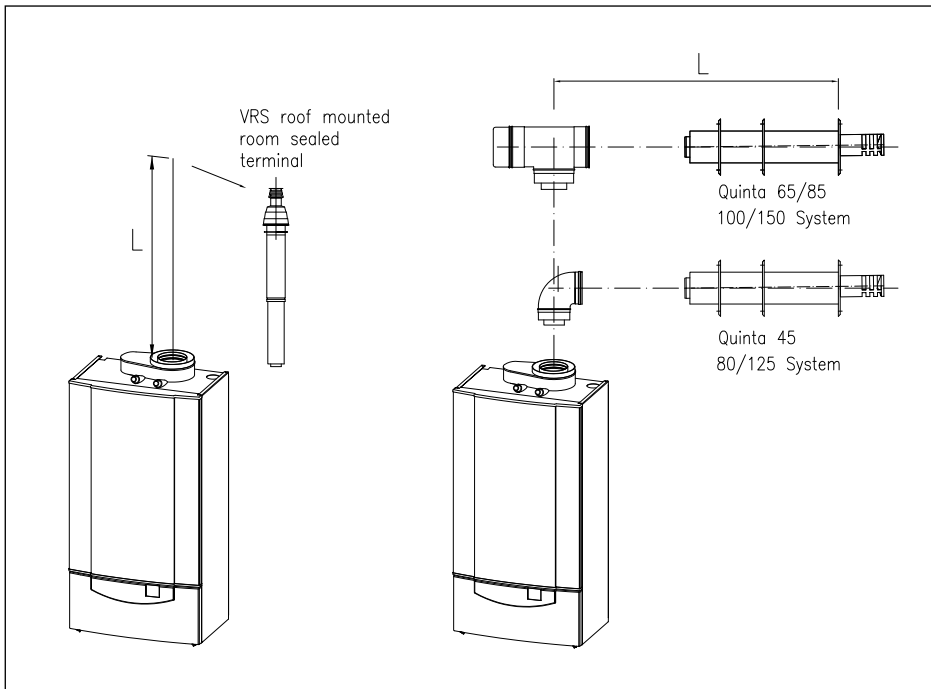


Fig. 08 Flue gas discharge duct without bends, single boiler, room sealed application.

04.W4H.79.00003 + 04.W4H.79.00005

<b>Quinta 115</b>		Ø 100/150 mm
maximum Length L	m	7
Eq. Length bend 45°	m	2
Eq. Length bend 90°	m	3

Table 14 Calculation data room sealed applications

**Example:** Quinta 115, total length 3 m, 1 bends 45°.  $3\text{ m} + 1 \times 2 = 5\text{ m} < 7\text{ m}$ : **flue OK.**

**Note:** If the design parameters are outside the values shown in the above table or there is any doubt over the flue system, please contact our technical department for calculation to be undertaken.

### 7.3.6 Different pressure zones

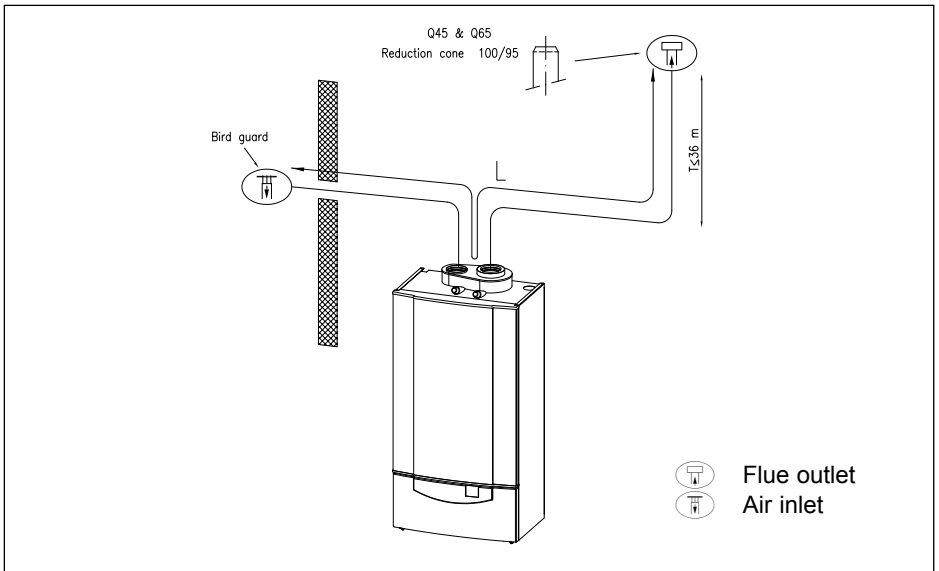


Fig. 09 Different pressure zones

04.W4H.79.00004

The Remeha Quinta boiler (twin connection only) is capable of operating with the air inlet and flue outlet in different pressure zones (CLV System). There are some restrictions to the flue/air inlet lengths and max height differences which have been detailed in *Fig. 09*.

Maximum total length of air inlet and flue gas outlet pipework (L) as detailed in table below (calculation based on using 1 x 90° bend).

Quinta 115		Ø 100 mm	Ø 125 mm
maximum Length L	m	-	58
eq. Length bend 45°	m	1.4	1
eq. Length bend 90°	m	4.9	1,7

*Table 15 Calculation data different pressure zones*

**NOTE:** This system may not be used in areas with adverse wind conditions (i.e. in some coastal regions).

**NOTE:** If the design parameters are outside the values shown in the above table or there is any doubt over the flue system, please contact our technical department for calculation to be undertaken.

## 7.4 Hydraulic installation

### 7.4.1 Condensate and AAV discharge

Discharge the condensate and AAV relief via a tundish, directly into a drain. Only use synthetic material for the connecting piping, because of the acidity (pH 2 - 5) and allow a min. of 30 mm per meter to ensure a good flow rate. Fill the siphon with clean water before firing the boiler. It is not advisable to discharge into an outside gutter, because of the risk of freezing.

### 7.4.2 Water treatment

- Use untreated tap water only to fill the CH system.
- The pH value of the system water must be between 6 and 9.
- In case inhibitors are being used, please follow the instructions given.

If used correctly water treatment can improve the boilers efficiency and increase the anticipated life expectancy of the boiler. For further information a special document "Remeha water quality regulations" is available from Broag. The regulations mentioned in this document must be followed.

As most systems contain a variety of metals, it is considered good practice to provide some form of water treatment in order to prevent or reduce the following:

- Metallic corrosion
- Formation of scale and sludge
- Microbiological contamination
- Chemical changes in the untreated system water



All scale deposits, however small, will reduce the efficiency of the boiler and should be prevented.

Suitable chemicals and their use should be discussed with a specialist water treatment company prior to carrying out any work (environmental aspects, health aspects). The specification of the system and manufacturers recommendations must be taken into account, along with the age and condition of the system. New systems should be flushed thoroughly to BS 7593(1992) to remove all traces of flux, debris, grease and metal swarf generated during installation. Care to be taken with old systems to ensure any black metallic iron oxide sludge and other corrosive residues are removed, again by power flushing, ensuring that the system is drained completely from all low points.



Please ensure that the new boiler plant is not in circuit when the flushing takes place, especially if cleansing chemicals are used to assist the process.

It is important to check the inhibitor concentration after installation, system modifications, filling the system and every service in accordance with these instructions.

For the correct dosage and the suitability of inhibitors for use with our boilers and for further information on water treatment or system cleaning we advise direct contact with either of the following companies:

**'Copal<sup>®</sup>** manufactured by:  
FernoX, Cookson Electronics  
Forsyth Road  
Sheerwater  
Woking  
Surrey GU21 5RZ  
Tel No: 01483 793200  
Fax No: 01483 793201  
Email: [sales@fernox.com](mailto:sales@fernox.com)  
Web site: [www.fernox.com](http://www.fernox.com)

or: **Sentinal 'X100<sup>®</sup>** manufactured by:  
BetzDearborn Ltd  
Sentinal  
Foundry Lane  
Widnes  
Cheshire WA8 8UD  
Tel No: 0151 424 5351  
Fax No: 0151 420 5447

### **7.4.3 Cold feed and expansion tank height for open vented systems**

We recommend the boiler is installed on a closed (pressurised) system wherever possible with a minimum operating pressure of 0.8 bar. However, open vented systems can be accommodated as follows: The cold feed and expansion tank heights for all open vented systems must comply with the requirements laid down in the Health and Safety Executive publication (latest execution).

The Remeha Quinta series boilers require a minimum static head of 5 m. For operation in open vented systems parameter  $\square!$  (flow temperature setpoint) must be set to 75 and parameter  $\square!$  (boiler modulation start point) must be set to 15

### **7.4.4 Safety valve**

A safety valve should be fitted in accordance with the relevant British Standard.

### **7.4.5 Gas connection**

Connect the boiler to the incoming gas in accordance with the requirements of the Gas supply company. Install the main gas cock near the boiler. The gas connection is located at the bottom of the boiler. Fit a gas filter in the gas supply piping to avoid debris in the gas control unit.

### **7.4.6 System pump**

The boiler must be installed on a fully pumped system.

### **7.4.7 Waterflow**

The Quinta series of boilers have no minimum water flow requirement provided the factory default modulation start point (parameter  $\square!$ ) is not raised and the following conditions are met:

- The two wire modulating controls are used,
- On a pressurised system with the high limit temperature set to flow temperature set point + 20.

## **7.5 Modular installations**

### **7.5.1 Introduction**

The Remeha Quinta 115 is eminently suited for configuration in a cascade. The cascade can supply up to 6 boilers with a total output of 642 kW (at 81/70°C). With a width of only 50 cm, this could be installed (excluding low loss header) on a wall of approx. 3.5 metres

For detailed information about cascade applications, please refer to our technical information: "*Quinta Cascade guide*" or contact Broag for advice.

### 7.5.2 The Remeha Quinta cascade system

For installing 2 to 10 boilers, Remeha's range of products includes systems that are very easy to install (quick assembly). The hydraulic and gas pipe work can be put together entirely without welding, using screw connections, compression connections and flanges. By using these sets, you save considerably on assembly costs and the total installation can, on balance, be carried out less expensively.

#### The sets consist of:

- suspension for boilers and pipe work
- low loss header
- common main gas pipe, supply and return main pipe
- partly pre-fitted boiler connection kits with the necessary fittings

#### The following optional equipment is also available:

- boiler connection kit
- cascade controller
- bends for connecting the low loss header at an angle
- frames for free-standing cascade configuration of a maximum of 10 wall-mounted boilers.
- gas filter
- insulation sets
- mounting plates for controllers and plugs.


### 7.5.3 Independent installation

For specific situations, a suitable cascade installation can naturally always be designed, consisting of several Remeha Quinta 115 boilers, possibly in combination with Quinta 45, Quinta 65 and/or Quinta 85 boilers.

### 7.6 DHW production

The Remeha Quinta 115 is supplied as standard with an inbuilt DHW control. This control, when used in conjunction with the optional Broag DHW sensor or thermostat (not a Broag supply), a 3-way diverting valve\* or DHW pump, can provide boosted primary flow temperature independent of the variable temperature flow for the fully condensing mode. However it can be independently time controlled and will isolate the HTG system during the demand period.

\* **Note:** Because of the boiler water resistance (250 mbar at 20°C  $\Delta T$ ) we advise you to use a DHW pump for DHW production instead of the 3-way valve.

On demand of the DHW sensor or thermostat and depending on parameter  (reference: Par. 6.6.11), the boiler powers the DHW pump and turns off the HTG or boiler pump.

The boiler flow temperature is boosted to the DHW set point + DHW control stop set point (see Par. 6.6.7 and 6.6.10).

When the DHW sensor or thermostat is satisfied the boiler turns off. The control turns off the DHW pump and turns on the system pump (provided there was still a HTG demand. If no HTG demand, the selected pump will run on for a maximum of 5 minutes).

A Broag high output indirect calorifier can be connected to the Remeha Quinta 115 in accordance with the schematic sketch shown (see Fig. 10).

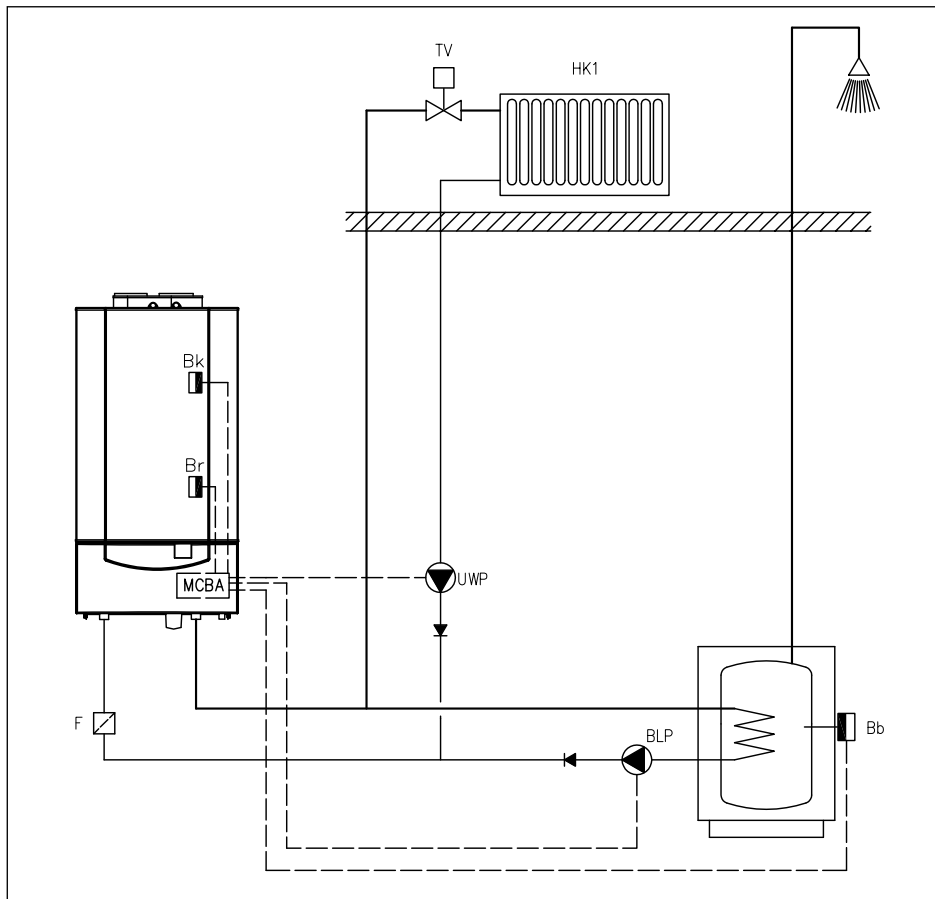


Fig. 10 Remeha Quinta with calorifier and DHW pump

04.W4H.HS.00002



### Flow and return header installation

A flow and return header installation is shown in Fig. 11. The separated hydraulic groups have system pumps, controlled by a cascade controller.

The controller monitors the conditions from each group and varies the heat output to suit the demand. Because of the modulating boiler operation it runs most efficient. In this type of installation you can use the heat output for DHW production and HTG at the same time.

For further installation examples please ask Broag for the booklet; "Suggested schematics with power and control wiring details".

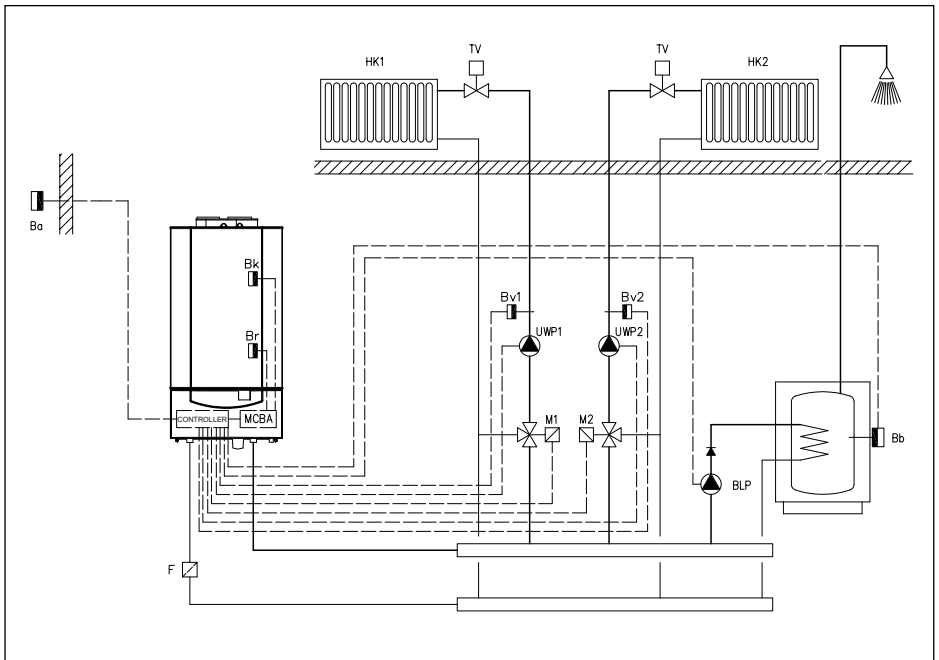


Fig. 11 A flow and return header installation with weather compensating controller

Pdf

## 8 ELECTRICAL INSTALLATION

### 8.1 General

The Remeha Quinta 115 is supplied as standard with electronic control and flame ionisation safety controls with a specially designed microprocessor at the heart of the control system.

### 8.2 Specifications

#### 8.2.1 Electrical supply

The Remeha Quinta 115 must have a permanent 230V-50Hz single phase supply rated at 6.3 A. The control unit is not phase / neutral sensitive.

#### 8.2.2 Control box

Supply voltage:	230 V/50 Hz
Electrical rating:	10 VA
Pre-purge time:	4.2 seconds
Post-purge time:	10 seconds
Safety time:	4.2 seconds maximum
Anti-hunting time:	min. 150 seconds
Pump run on (HTG):	1 - 15 minutes
Pump run on (DHW):	5 minutes

#### 8.2.3 Fuse specification

The boiler is protected by fuses:

- On the main power supply located in the euro connector socket rated at 6.3 A (slow acting). Spare fuse is supplied - located in the euro connector socket
- Control circuit 230 V - located on the control box, ref. F1 rated at 2 A (fast acting)
- Control circuit 24 V dc - located on the control box, ref. F2 rated at 4 A (fast acting)

Spare fuses are supplied - located on the control box cover.

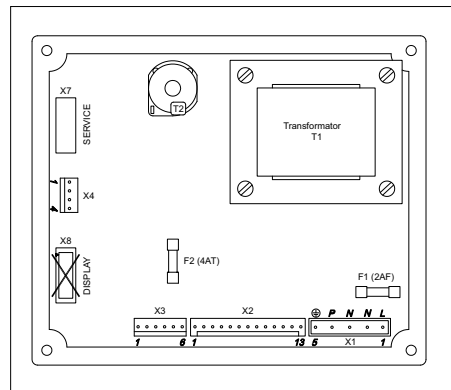


Fig. 12 Control box

00.W4H.79.00018

**NOTE:** Do not use connector X8!

### 8.2.4 Boiler temperature control

The Remeha Quinta 115 has electronic temperature control with flow and return temperature sensors. The flow temperature can be adjusted between 20 and 90°C.

### 8.2.5 High limit temperature protection

The high limit temperature protection device switches off and locks out the boiler when the flow temperature exceeds the high limit set point (adjustable). When the fault is corrected, the boiler can be restarted by using the 'reset'-key on the control panel.

### 8.2.6 Low-water protection (flow and content)

The Remeha Quinta 115 is supplied with a low-water protection on the basis of temperature measurement, see Fig. 22, *Boiler sensor resistance/temp graph*. By modulating back at the moment that the water flow threatens to fall too low, the boiler is kept operating for as long as possible. In the event of low flow ( $F/R \Delta T = 45^\circ\text{C}$ ), the boiler will shut off and not lockout (ref. Par. 6.4).

If the boiler is fired dry, it will go to high temperature lock out, failure code **1/8**.

### 8.3 External connections

All external connections are made on the 24 way terminal strip, located in the instrument box at the bottom of the boiler, accessed by loosening the two screws, see Fig. 13 and Fig. 14.

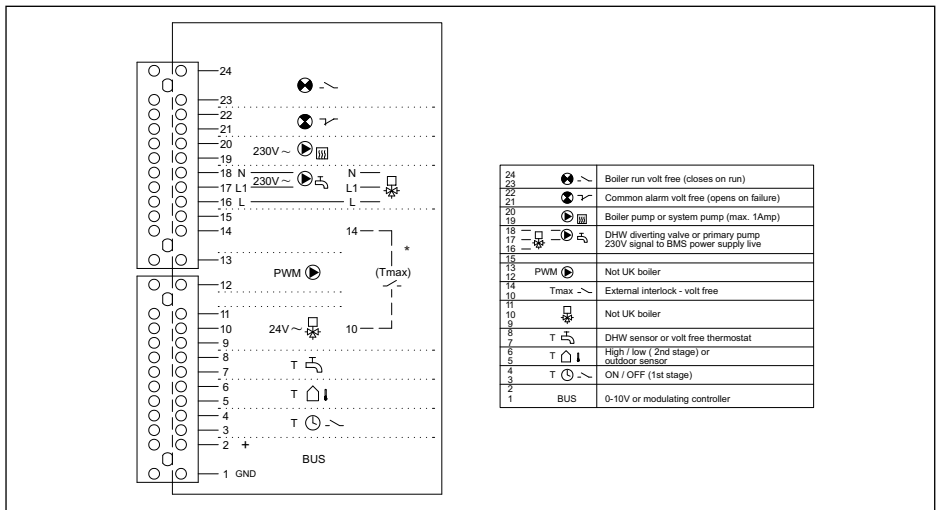


Fig. 13 Terminal strip Remeha Quinta 115

04.W4H.79.00009

\*) remove link to use, see Par. 8.8

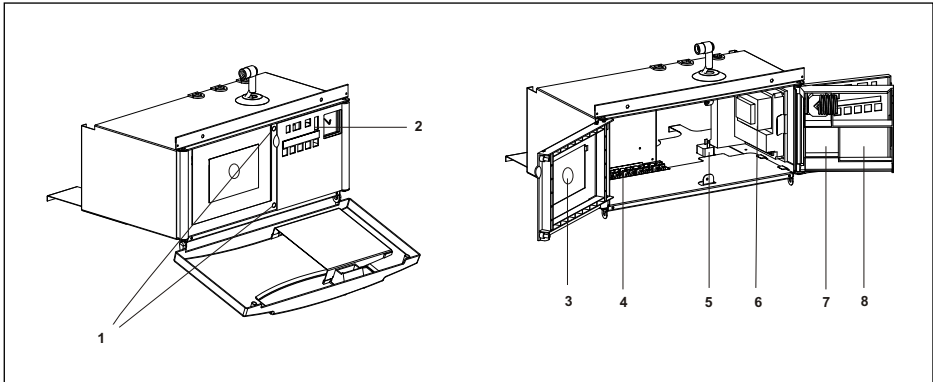


Fig. 14 *Electronic components.*

05w4h7900031

- |                            |   |
|----------------------------|---|
| 1. Screws instrument panel | 6. Control unit                                     |
| 2. Display                 | 7. Print for common alarm and boiler run indication |
| 3. n/a                     | 8. Interface for 0 -10 V control                    |
| 4. Terminal strip          |   |
| 5. 230 V power supply      |   |

## 8.4 Boiler control

The Remeha Quinta 115 can be controlled using one of the following methods:

### 8.4.1 Modulating controls general (two wire control)

To make full use of the boiler's modulating feature, an **OpenTherm®** control can be connected. These controls will provide optimised time and weather compensation to achieve maximum efficiency and minimum boiler cycling whilst maintaining design condition within the building.

#### Modulating single boiler controller

Single boiler control, compensation based on room temperature, using the OpenTherm interface supplied as std. in the boiler.

Available with 6 adjustable time periods.

**Celcia 20** - An optimising/ weather-compensated boiler control for single boilers.

This compensator can regulate the boiler output against outside weather conditions, and provide time and temperature control over the DHW. The compensator is mounted in a reference room (uses an internal sensor to monitor room temperature) and is interfaced to communicate with the boiler's controls via a two-core cable to terminals 1 and 2 of the 24-pole terminal strip. On site connection of the supplied outside and common flow sensors complete the installation.

Change setting mode parameter  $\boxed{9}$  to  $\boxed{00}$ . Set the  $\boxed{X}$  value of the boiler control operation parameter ( $\boxed{R}$ ) to  $\boxed{1}$ .

### Modulating weather-compensated cascade controller

Remeha has a controller set **Celcia 20 / Celcia MC4** for this that can be supplied as accessory.

- **Celcia 20**; Optimising / weather-compensated boiler control used in conjunction with the Celcia MC4 for multiple boilers.
- **Celcia MC4**; This controller uses the demanded flow temperature for modulating control of the power of 1 to 4 boilers in a cascade, according to an established switching method. Refer to the documentation of this controller for detailed information.

This controller set is supplied with outside sensor and flow sensor (used for multiple boiler installation only).

Communication between the Optimising / weather-compensated control **Celcia 20 / Celcia MC4** and the boiler control system is via the built-in **OpenTherm**<sup>®</sup>-interface. Set the  $\boxed{X}$  value of the boiler control operation parameter ( $\boxed{R}$ ) to  $\boxed{1}$ .

**NOTE:** Please refer to the relevant control leaflet for optimising / compensation settings.

### 8.4.2 Analog control (0 -10 V dc)

The heat output modulates between the minimum and the maximum value on the basis of the voltage supplied by an external analog (0 -10V, volt free) input (terminal connections 1 (gnd) and 2 (+)).

- Temperature based (20 to 90°C) set the  $\boxed{X}$  value of the boiler control operation parameter ( $\boxed{R}$ ) to  $\boxed{4}$ .

To set the ratio between voltage and the desired flow temperature, see *Par. 6.6.15 and the graph below*.

- Output based - fixed parameters (16 to 100%), see *graph below*.

0 V = boiler off

0.5 - 1.8 V = heat input 16%

1.8 - 10 V = boiler modulates between 16 and 100% on demand

Set the  $\boxed{X}$  value of the boiler control operation parameter ( $\boxed{R}$ ) to  $\boxed{5}$ .

**NOTE:** When using an external analog (0 -10V), the factory default  $\boxed{03}$  should be changed to  $\boxed{00}$ .

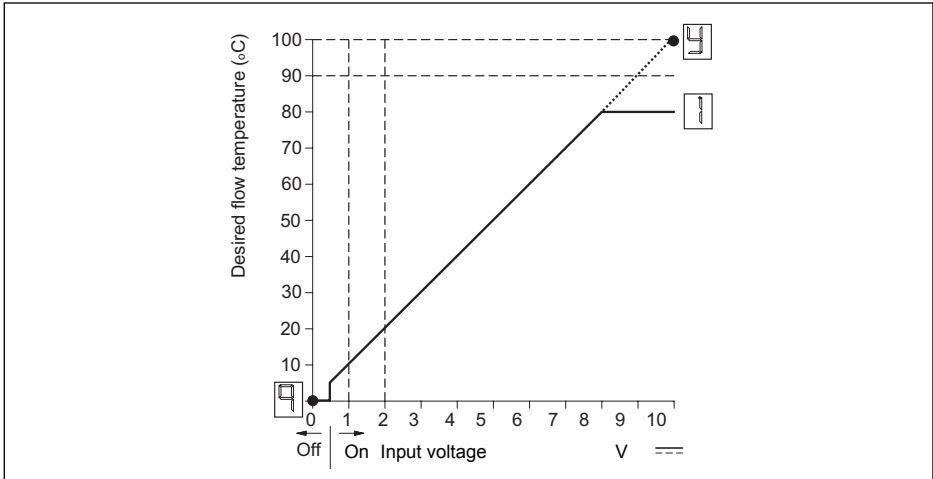


Fig. 15 Ratio between voltage and temperature  
pdf

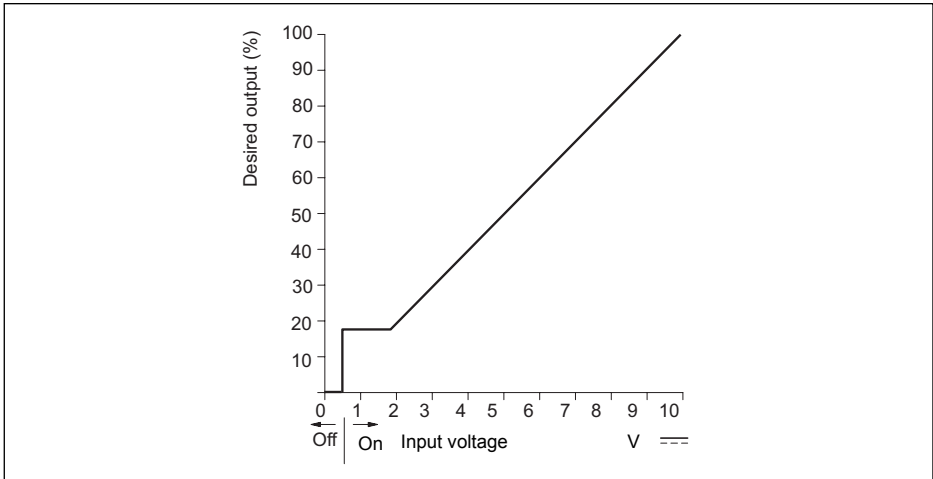


Fig. 16 Ratio between voltage and output  
pdf

### 8.4.3 On / off control (1 x no volt switched pair)

The heat output modulates between the minimum and the maximum value based on the set flow temperature, terminal connections 3 and 4.

Set the  $\boxed{X}$  value of the boiler control operation parameter ( $\boxed{P_1}$ ) to  $\boxed{1}$ .

- If the room thermostat is fitted with an anticipation element, it must be set to 0.11 A. You must also connect an anticipation resistance of 220  $\Omega$  between terminals 3 and 11 on the terminal strip.

### 8.4.4 High / low control (2 x no volt switched pairs)

The heat output is controlled between part load (16 %, adjustable) and full load, by means of a two-stage controller, terminal connections 3 and 4 low fire - 5 and 6 high fire.

Set the  $\boxed{X}$  value of the boiler control operation parameter ( $\boxed{P_1}$ ) to  $\boxed{2}$ .

## 8.5 DHW control (Broag priority)

### 8.5.1 Temperature control

With a Remeha temperature sensor or with a standard (volt free) DHW thermostat connected to terminals 7 and 8.

If the cable from the boiler sensor or -thermostat exceeds 3 meters, we advise you to use our EMC-filter (Broag supply).

**NOTE:** boiler will only provide a setting and read out facility with the sensor option.

### 8.5.2 Primary flow control

- With a three-way diverting valve - Set the DHW control option (parameter  $\boxed{J_1}$ ) to  $\boxed{00/02}$  - connected to terminals 17 (230 V power open/spring returned) and 18.
- With a DHW pump - Set the DHW control option (parameter  $\boxed{J_1}$ ) to  $\boxed{01}$  - connected to terminals 17 and 18 (230 V -50Hz, max 1 A). If the DHW pump requires more than 1 A, terminals can only be used to switch a pump relay.

## 8.6 System pump

A system pump can be connected to terminals 19 and 20 (230 V - 50 Hz, max. 1 A). If the system pump requires more than 1 A, terminals can only be used to switch a pump relay.

## 8.7 Frost protection

The boiler must be installed in a frost-free area to prevent the condensate drain from freezing. However if the temperature of the CH water in the boiler drops too low, the integrated boiler protection device is activated as follows:

- At a water temperature below 7°C: the circulation pump is switched on;
- At a water temperature below 3°C: the boiler is switched on;
- When the water temperature is above 10°C: the boiler is switched off and the circulation pump runs for another 15 minutes.

**NOTE:** A frost thermostat should preferably be installed in rooms with a high frost risk. Connect the frost thermostat in parallel to the room thermostat - connectors 3 and 4 of the terminal strip.

**Attention:**

- The integrated boiler protection described above will not provide complete system or fabric protection.
- When a Celcia 20 control has been fitted to connectors 3 and 4 an outside sensor must be used to provide system and building fabric frost protection.
- If a frost thermostat is connected parallel to the Celcia on connectors 3 and 4, when the frost thermostat calls for heat (contact closed) it will override the Celcia 20 control and cause an error message (OT ERROR) flashes in the display and the boiler will operate continuously to achieve the flow set point.

### **8.8 Remote alarm and boiler run indication**

As standard the boiler is supplied with 2 x volt free indicators.

- Common alarm signal connect to terminals 21 and 22. Contact closed, opens on lock out and power loss.
- Boiler run signal connect to terminals 23 and 24. Contact open, closes on boiler run. Maximum 230 Volts, 1 A capacity each.

### **8.9 Safety interlock**

As standard the boiler is supplied with an interlock carrying a 24 V boiler control circuit. To use first remove the fitted wire link (on RH side of terminal block between 10 and 14).

Any external devices required to stop the boiler should then be wired in series and connected to terminals 10 and 14.

If the contacts of the external interlock have opened during heat demand, the boiler will shut off for 120 seconds (shut-off code **b26**). Should the contacts close again during heat demand, the boiler will wait the remaining time from the 120 seconds before attempting a restart.



### 8.10 Wiring diagram

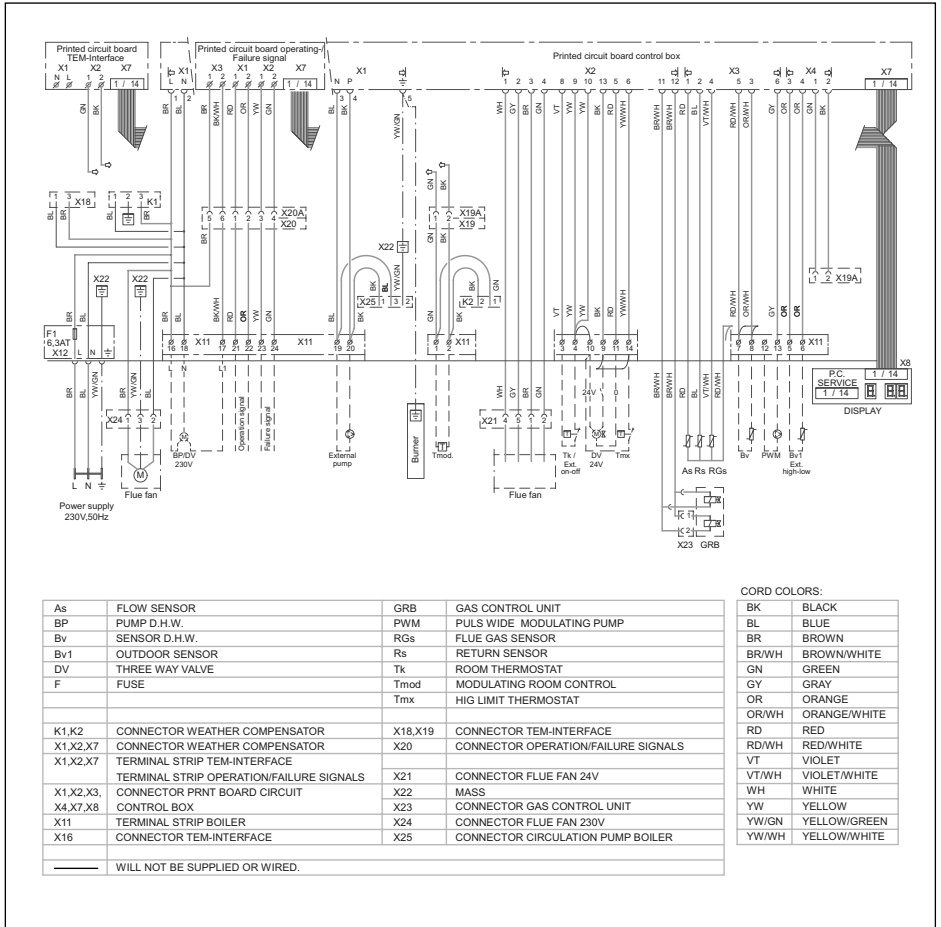


Fig. 17 Wiring diagram  
110906-AA

## 9 COMMISSIONING

**NOTE:** Engineer to carryout pre-commissioning checks to ensure that the installation complies with current regulations

### Initial lighting

The boiler is supplied as standard for use with Natural Gas and tested at an operating pressure of 20 mbar. The boiler must not be put into operation with a different type of gas without reference to Broag.

The boiler is delivered with a restriction that is suited for H-gas ( $\varnothing$  H gas = 8.6 mm). If the boiler is connected to L- gas, a different restriction ( $\varnothing$  L gas = 9.8 mm) must be placed between the gas valve multiblock and the venturi.

### 9.1 Putting the boiler into operation

1. Isolate main power supply.
2. Lower the grey instrument panel cover towards you release two retaining screws and open instrument panel doors
3. Unscrew and remove the 2 screws securing the front panel and lift off
4. Confirm that the gas supply is available, sound and has been vented by others
5. Check that the electrical connections match the control options (see Par. 8.2).
6. Open the cap of the automatic air vent to ensure boiler is vented.
7. Check boiler and installation is full of water vented and at the correct pressure.
8. Fill the siphon trap with clean water.
9. When tightening the siphon cup, ensure that the connection to the heat X is not disturbed
10. Close the instrument box.
11. Check the flue and the combustion air supply connections.
12. Open the gas cock.
13. Connect + side of digital manometer to test point on inlet gas combi block to test for max/min inlet pressure i.e., max. 30 mbar static, 17 mbar min working
14. Connect flue gas analyser to test point (see Fig. 18)

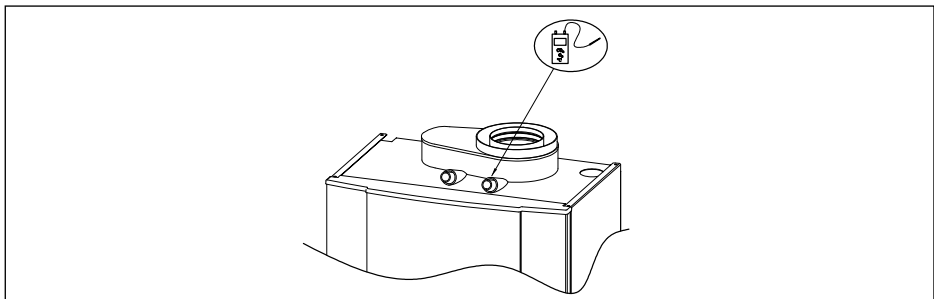

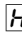



Fig. 18 Flue gas measure point.

05.W4H.79.00004

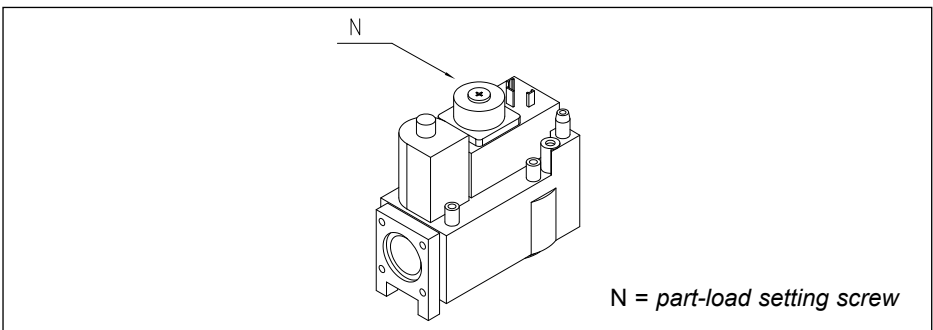
15. Re-establish power supply to boiler and isolate controls.
16. Use manual override to start the boiler (press and hold for 5 seconds [-]-key (green LED should appear in -symbol)
17. The boiler should start with the run sequence (3) indicated in the 'code'-display, see *Par. 6.3*.
18. Check the boiler for correct gas/air setup in full load by measuring the O<sub>2</sub> levels in the flue gas (direct measurement of CO<sub>2</sub> can lead to inaccuracies due to varying levels of CO<sub>2</sub> in the natural gas). Proceed as follows:

**Correct gas/air setup:**

- 18 a. Force the boiler into high fire by pressing '⬆' and [+]-keys simultaneously. The code box will show and  in the display
- 18 b. When full load speed is reached check values against *Table 16* (checking data)
  - \* With deviations greater than the permitted tolerance, a check must be made to see if:
    - the inlet pressure is sufficient,
    - the correct restriction is fitted in the boiler.
- 18 c. Check flame via inspection window, the flame should be stable, mainly blue with burner surface covered with orange dots.
- 18 d. Force the boiler into low fire by pressing the ⬆' and [-]-keys simultaneously. The code box will show an  in the display.

When part load speed is reached, check values against *Table 16* (checking data) and adjust if necessary using the screw on gas combi block (adjustment screw is protected by a cover - both cover and adjustment screw are torx star type keys) turning screw clockwise will increase CO<sub>2</sub>, turning screw anti clockwise will decrease CO<sub>2</sub>, (see *Fig. 19*)

Check flame via inspection window, the flame should be stable, with a regular blue flame distribution and orange burner surface



**Fig. 19** Setting screws

0021h7900004

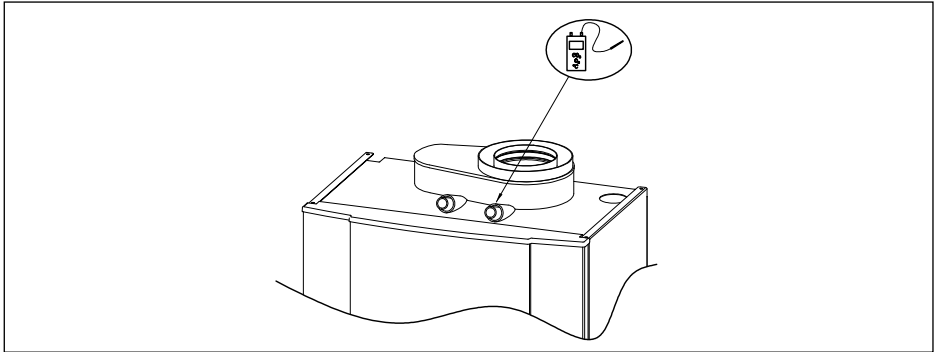


Fig. 20 Flue gas measure point.

05.W4H.79.00004

		full load	part load
Fan speed		7000 rpm	1300 rpm
Checking value	O <sub>2</sub> %	4,7 ± 0,5*	4,3 ± 0,5
	CO <sub>2</sub> %	9,1 ± 0,3*	9,3 ± 0,3
Setting value	O <sub>2</sub> %	n/a	4,3 ± 0,2
	CO <sub>2</sub> %	n/a	9,3 ± 0,1

Table 16 Checking and setting data H-gas (with open air case)

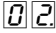
		full load	part load
Fan speed		7000 rpm	1300 rpm
Checking value	O <sub>2</sub> %	4,3 ± 0,5*	4,3 ± 0,5
	CO <sub>2</sub> %	9,3 ± 0,3*	9,3 ± 0,3
Setting value	O <sub>2</sub> %	n/a	4,3 ± 0,2
	CO <sub>2</sub> %	n/a	9,3 ± 0,1

Table 17 Checking and setting data L-gas (with open air case)

**NOTE:** When checking combustion the CO<sub>2</sub> levels should be in accordance with *the Table 16 and Table 17*. If the levels are outside these tolerances adjustment to the levels must be made in accordance with the tolerance *in Table 16 and Table 17*.

- 18 e. Check ionisation level on full and part load, measurement in volts between terminal 4 and earth max 9 volts min 4 volts DC, see Fig. 21 (measurement is linear 1V dc = 1µA dc).

**NOTE:** The full load adjustment changes the gas/air graph slope angle, whilst the part load adjustment shifts the base point on a parallel axis; each adjustment therefore alters the previous setting slightly. Repeat the process 18 a. to 18 e. and re-check the values as many times as necessary until they fall into values as in *Table 16*.

19. Remove flue gas analyser and seal test point; also remove manometer and re-tighten test nipple and test for soundness.
20. Simulate a lock out condition by turning off gas cock, the boiler will attempt to fire 4 times, on the 5<sup>th</sup> attempt the boiler will lock out on flashing , see *Table 19*; *lock out codes*. Re-set the boiler using the reset key.
21. Re-fit boiler front panel and close grey panel
22. Allow boiler to run up to its set flow temperature, see *Par. 6.5.1* and shut off
23. When pumps have stopped, check water pressure is correct
24. The boiler is now ready for use
25. Check system controls
26. Set system controls to required values

Complete commissioning sheet, recording boiler serial No and site details and return copy to Broag for record purposes

**NOTE:** The Remeha Quinta 115 is supplied with a number of factory default settings which should be correct for most installations. If other setting values are required refer to *Par. 6.5 and 6.6*.

## 9.2 Shut-down

### 9.2.1 Temporary shut-down with frost protection

- Do not isolate the electric power supply.
- Do not close the gas cock.
- Use the switch function, see *Par. 6.1.3*.

### 9.2.2 Permanent shut-down without frost protection

- Set system controls to off.
- Isolate the electric power supply.
- Close the gas cock.

## 10 FAULT-FINDING

## 10.1 General (all installations)

Check the following, in sequence (by service engineer):

Step	Signs	Check points	Actions
1	Boiler display is blank.	The mains voltage 230 V	Replace fuse if necessary, but check what circuit it was protecting and rectify if faulty.
		The fuse in the euro-connector	
		The control box fuses	
2	Boiler display shows a fault code	For flashing digits	If yes, follow instructions in the table, <i>ref. Par. 10.2.</i>
3	Boiler display shows operating code (see <i>Par. 6.3</i> )	<b>0</b> (no heat demand)	Go to point 4.
		<b>1</b> to <b>9</b> , <b>H</b> , <b>L</b> , <b>b</b>	try to find the cause of the fault, using operating mode shown.
4	Use boiler manual override. (see <i>Par. 6.1.3</i> )	Does the boiler start up?	Yes, check external control and wiring, or go to point 6.
			No, go to point 5.
5	Override external controls by fitting a link across terminals 3 and 4 of the boiler terminal strip	Does the boiler start up?	Yes, check boiler parameters. If all OK, then replace control box. No, repeat point 3, or go to point 6.


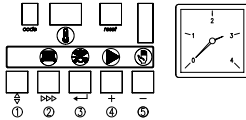


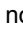

6	<p>With the <b>Celcia MC4</b> or another OpenTherm controller: Check the communication between controller and boiler with the aid of the <b>'code'</b> window and  window on the control panel</p>  <p>00.W4H.79.00044</p>	Under the normal operating condition, press the  key for 2 seconds: does the top part not flash in the <b>'code'</b> window?	Communication (connection) with the control unit is not in order or the control unit is defective
		Under the normal operating condition, press the  key for 2 seconds: does the top part not flash in the  window?	Communication with the controller is not in order or the control unit is defective or the controller is defective
		Is nothing flashing??	Replace the control unit
7	Investigate boiler settings and wiring	Check the parameter settings of the boiler	If all is correct, replace the control box.
		Check the wiring on the boiler terminal strip and to the control box	

Table 18 Fault-finding



### 10.2 Fault codes

In the event of an error message, both the **'code'**-display and the -display will flash. For details, see Table 19.

For readout of the most recent faults, see Par. 6.9.

#### IMPORTANT:

Before resetting, accurately record the fault code (including figures, flashing digits and dots) and remember to pass on this information when seeking assistance. The fault code is important for correctly and rapidly tracing the nature of the fault.

**NOTE:** Shut-off mode (code , only dots in -display are flashing, not digits) is a normal boiler operating function and does not represent a boiler failure. However, this may indicate a system problem, an internal fan check or an incorrect parameter setting.

Code	Description	Cause/check points and remedy
00	Flame simulation	<ul style="list-style-type: none"> <li>- Gas valve shuts but burner surface continues to glow due to incorrect combustion.</li> <li>- Gas valve off but leaking on shut-down - burner flame continuing.</li> </ul>
01	Short circuit 24V	Check wiring.
02	No flame or no ionisation (after 5 start attempts)  <b>Note:</b> Ionisation measurement in Volts between terminal 4 and earth, <i>see Fig. 21</i> (1V dc $\equiv$ 1 $\mu$ A dc)	<p>a. <b>No ignition spark, check:</b></p> <ul style="list-style-type: none"> <li>- connection of ignition cable and spark plug cap</li> <li>- ignition cable and electrode for insulation breakdown</li> <li>- electrode gap; must be 3-4 mm</li> <li>- earth continuity</li> </ul> <p>b. <b>Ignition spark, but no flame, check if:</b></p> <ul style="list-style-type: none"> <li>- gas cock is open</li> <li>- inlet gas pressure is sufficient</li> <li>- gas pipe is vented</li> <li>- gas valve is energised during ignition and also opens</li> <li>- electrode is fitted properly, is clean and set</li> <li>- the gas/air ratio is correct (<i>see Chapter 9</i>)</li> <li>- the gas pipe is not clogged or incorrectly sized</li> <li>- the air supply and flue outlet is free of obstructions</li> <li>- if the condensate siphon is clear</li> <li>- there is no flue gas recirculation (internal/external)</li> </ul> <p>c. <b>Flame, but no or insufficient (&lt;2 <math>\mu</math>A) ionisation,</b>            Visual check of flame:</p> <ul style="list-style-type: none"> <li>- is flame core visible?</li> <li>- is flame geometry stable?</li> <li>- check CO<sub>2</sub> at both part and full flame</li> <li>- check ignition probe earthing</li> <li>- check temperature sensors for loss current (humidity on sensors)</li> <li>- is analog control (0 - 10 V) volt free?</li> </ul> <p>Visual check of ignition/ionisation probes:</p> <ul style="list-style-type: none"> <li>- if white oxides show, use sand paper or screwdriver for cleaning</li> <li>- check geometry and distance between both probes, i.e. 3 to 4 mm</li> <li>- Remove metal wires between the burner and the ionisation electrode</li> </ul>
04		Voltage failure after lock out condition – original lock out cause will not be displayed – check read out table for additional fault code, <i>ref. Par. 6.9.</i>
05	External influence	<ul style="list-style-type: none"> <li>- power or control supply affected by external EMC</li> <li>- check for EMC conformity</li> </ul>



08	Setting failure	- check parameter $\square$ (second digit must be 0)
11	Failure of internal communication bus	- short circuit in flat cable: replace flat cable - water/condensation on display - possibly external EMC contamination
12	Safety interlock	- The safety interlock (on terminals 10 and 14 of the terminal strip) has tripped or the wire bridge has been removed. - <i>Fuse F2 of the Comfort Master is defective</i>
18	Flow temperature too high	Check: - the waterflow, <i>ref. Par. 7.4.7.</i> - system for trapped air
19	Return temperature too high	- sensors for resistance at set temperature, <i>see Fig. 22.</i> - if the boiler is full of water (min. pressure 0.8 bar)
24	Return temp > flow temp	- Flow sensor badly installed - Pump operating in wrong direction or flow and return connections crossed
28	Fan not running	- Fan or motor failed - Supply and/or signal control cable – poor connections or failed.
29	Fan runs continuously or speed signal not correct	- Check control cable connections and for continuity - Fan defective - Flue draft conditions too high
31	Temperature sensor failure	Flow temperature sensor short circuit
32		Return temperature sensor short circuit
34		Outside temperature sensor short circuit
36		Flow temperature sensor not connected or open circuit
37		Return temperature sensor not connected or open circuit
40	Setting failure	check parameter $\square$
77	Ionisation failure during boiler operation	After 4 restarts during 1 heat demand - flue gas recirculation (internal/external) - insufficient air flow – check fan or air inlet/flue outlet for obstruction - insufficient gas flow - incorrect combustion.
Other Codes	Control box failure	- Press the ' <b>reset</b> '-key - When fault returns, check wiring for short circuits - When faults still return, replace the control box Shut-off codes, <i>see Par. 6.4.</i>

Table 19 Faultcodes

## 11 INSPECTION AND SERVICING INSTRUCTIONS

### 11.1 General

The Remeha Quinta 115 has been designed to need minimum maintenance, but to ensure optimum efficiency we advise that once a year the boiler should be checked and if necessary cleaned and reset.

All service and maintenance must be carried out by a qualified Engineer with the relevant training and certification (ie CORGI - ACOPS - etc.).

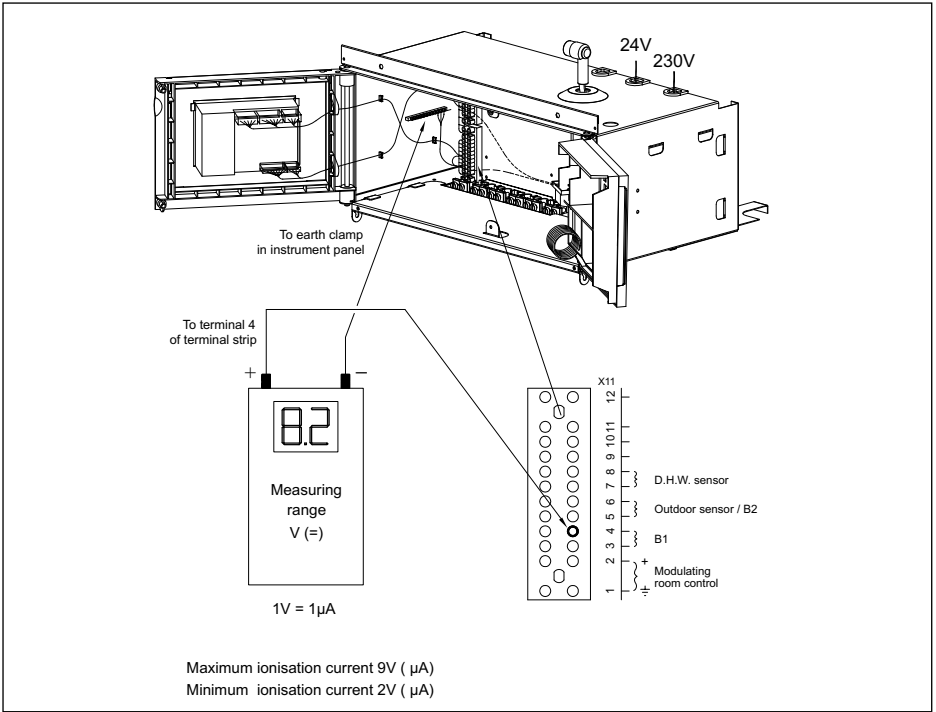
### 11.2 Annual Inspection

The annual inspection (or after 1600 hours run) of the Remeha Quinta 115 as follows:

- Check combustion characteristics, *see Table 16*.

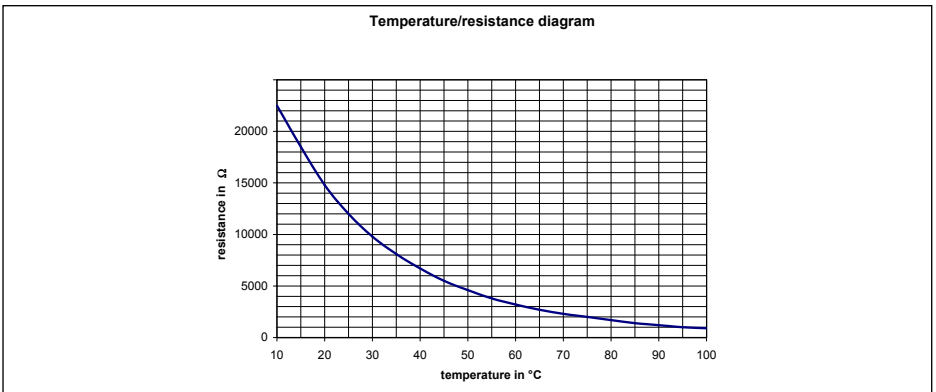
**NOTE:** When checking combustion the CO<sub>2</sub> levels should be in accordance with the Table 16 and Table 17. If the levels are outside these tolerances adjustment to the levels must be made in accordance with the tolerance in Table 16 and Table 17.

- Check flue gas temperature. If the flue gas temperature is more than 30°C above the boiler return water temperature, the heat exchanger must be cleaned, *see Par. 11.6*
- Check and (when needed) clean the condensate siphon (refill with clean water).
- Check for leaks (water side, flue gas side and gas soundness).
- Check flue and air inlet system is clear and gas/water tight.
- Check system pressure.
- Check control settings.
- Check boiler parameters.
- Check ionisation level, minimum 4 µA dc (ionisation measurement in Volts between terminal 4 and earthing, 1V dc ≡ 1 µA dc)  
If ionisation level < 2 µA dc or not present, check:
  - Is flame shape stable and colour as described in commissioning instructions.
  - Check ignition probe earthing.
  - Check temperature sensors for resistance values against *Fig. 22* (humidity on sensors).
- Replace electrode at least every 2 years.
- Clean any oxides/desposites with sand paper or fine emery cloth.
- Check shape of probe and ignition gap, i.e. 3 to 4 mm..



**Fig. 21** Ionisation measurement

pdf



**Fig. 22** Sensor resistance graph

pdf

### 11.3 Maintenance

If during the annual inspection combustion results indicate that the boiler is no longer operating at the optimum level, additional maintenance should be carried out as follows:

#### NOTE:

- Please ensure that the gas supply and mains power supply is isolated before any maintenance work is carried out on the boiler
  - Care should be taken when stripping the boiler for maintenance making sure that all parts nuts, washers and gaskets etc. are kept safe, clean and dry for re-assembly
  - Following maintenance/cleaning, the boiler should be re-assembled in the reverse order re-placing gaskets and joints where found necessary.
  - All general cleaning should be carried out with a soft brush or damp cloth to avoid damaging components. (Solvents must not be used).
1. Isolate gas supply and electrical supply
  2. Remove front casing retaining screws (2) pull front casing panel slightly forward and lift off
  3. Slide upwards and tilt instrument panel forwards turning downwards engaging the lower lugs on the bottom casing to hold panel in place during maintenance
  4. Remove M5 nuts and bolts securing fan and air inlet assembly to venturi, disconnecting electrical leads where necessary

**NOTE:** connect rear electrical plug on fan before final positioning when re-fitting

5. Remove M5 retaining nuts securing venturi to front plate
6. Remove ignition cap/lead and earth lead from Ignition/ionisation electrode.

### 11.4 Cleaning the fan

Use a synthetic brush to clean fan, **be careful not to disturb the balance clips on the fanblades**

### 11.5 Cleaning the venturi

Use a synthetic brush to clean venturi – make sure that the silicon hose between gas valve and venturi is clear and in good condition – replace if necessary

### 11.6 Cleaning the heat exchanger

Release the retaining nuts from heat exchanger front plate, remove plate, be careful not to damage the insulation plate or the burner which is connected to front plate, store safely.

Heat exchanger can be washed with clean water, if badly contaminated, special cleaning tool (supplied optional) can also be used. Care should be taken when using water in the confined space of the boiler casing to avoid contaminating the electrical controls. Compressed air can also be used but care should be taken to ensure disturbed dust etc does not contaminate the rest of boiler and controls.

**NOTE:** When replacing the heat exchanger front plate – tighten the retaining nuts to a torque of app. 7.5 Nm.

### **11.7 Cleaning the burner assembly**

Clean the burner assembly by using compressed air only - between 2 and 5 bar with the nozzle positioned a min of 10 mm away and towards the face of the burner. Check that the retaining M4 bolts are tight

If the burner is removed from the front plate ensure burner retaining screws are tight on re-assembly to a torque of app. 3.5 Nm.

### **11.8 Cleaning the siphon**

Remove and clean the siphon bowl (located underneath boiler)

Refill with clean water and re-fit bowl (make sure the main assembly is not disturbed from the boiler connection)

### **11.9 Cleaning/replacing the ignition/ionisation electrode**

Remove the two retaining screws on the electrode assembly, remove assembly and examine for wear and dirt, clean and re-gap electrode (3mm) if in good condition.

Replace electrode assembly if necessary - then discard screws and gasket and fit replacement assembly c/w new gasket and screws making sure that the earth connection is in good condition and in contact with the base plate

### **11.10 Cleaning to inspection glass**

Remove the two retaining screws on the inspection glass holder, clean and replace.

Re-assemble boiler in reverse order, check front plate gasket and insulation piece, replace if required also check gasket on fan and on gas valve, replace if necessary. Ensure that all cables are routed correctly using existing clips and ties where possible to ensure that they do not touch any hot parts of the boiler

Commission boiler in accordance *with Par. 9.2* - complete site report and/or boiler log book if present

11.11 Part list Quinta 115 boiler

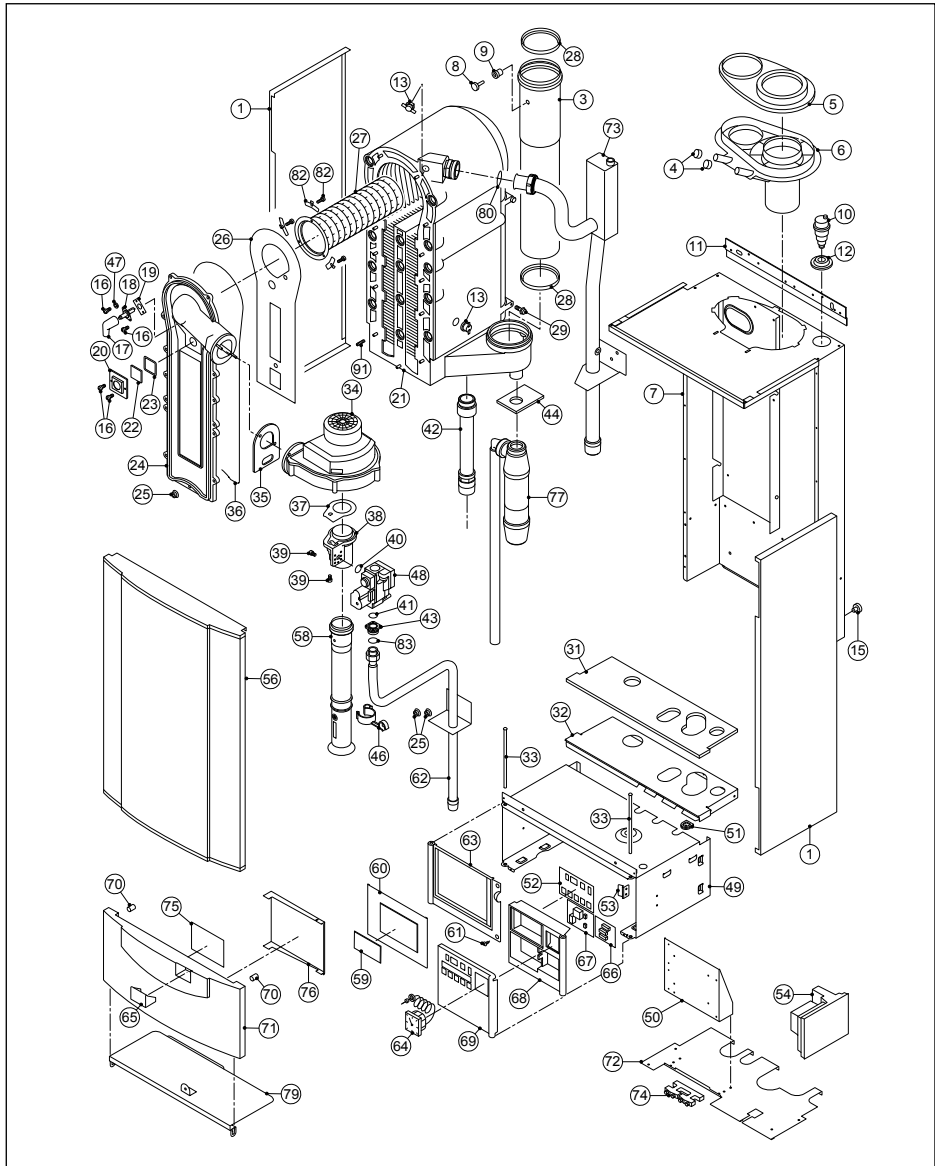


Fig. 23 Quinta 115\*  
EVGBW4H0115001b

\* the illustration can be slightly different

<b>Part description</b>	<b>Pos nr</b>
Casing side left + right	1
Flue gas pipe Ø 100 mm.	3
Screw cap measure point flue gas pipe	4
Adapter plate Ø 100 mm. excentric	5
Connection piece chimney	6
Frame c/w top plate	7
Grommet open	9
Vent auto air bleed device 3/8"	10
Wall bracket boiler	11
Grommet 46mm o/d x 22mm l/d (condensate pipe to bottom casing)	12
Sensor temperature (flow and return) Elmwood NTC 12K/007	13
Spacer rear casing	15
Screw M4 x 10	16
Cable ignition c/w cap	17
Electrode ignition/ionisation MX REBA (incl. Gasket and 2 screws)	18
Gasket for electrode	19
Mounting frame (for Inspection glass)	20
Heat exchanger	21
Glass inspection c/w gasket 32x32x3mm and 2 screws	22
Gasket (for inspection glass)	23
Heat exchanger front plate	24
Nut M6	25
Insulation front plate heat exchanger	26
Burner Furigas 115 kW	27
Sealing ring flue Ø 100	28
Bolt M6	29
Sealing plate (black foam)	31
Plate bottom casing	32
Hinge pin	33
Fan	34
Gasket (fan to venturi)	35
Gasket front plate Quinta 45/115	36
Gasket for venturi	37
Venturi CVI 050 Quinta 115	38
Screw M5x10	39

Gasket gas combi-block/venturi	40
O-ring gas pipe Ø 26.8 x 22 x 2.5	41
Return pipe	42
Flange for gas combi-block	43
Sealing plate (siphon black foam)	44
Support bracket air inlet	46
Washer spring ring a4,3	47
Gas combi-block VK8115VB1008B	48
Box instrument panel	49
Grommet Ø 21 mm	51
Display print board	52
Retaining clip MCBA board	53
Control board MCBA1461 V3.1	54
Casing front	56
Air inlet tube c/w damper	58
Screw metal 4.2x25	61
Gas supply pipe ¾»	62
Pressure gauge + grommet	64
Sight cover for display	65
Door R/H	68
Door R/H cover	69
Magnet Ø 8mm for cover	70
Cover grey drop down door	71
Bottom plate instrument panel rear	72
Flow pipe assembly	73
Cable clamp	74
Label user instructions	75
Documentation holder A5	76
Siphon cup + inlet pipe	77
Bottom plate instrument panel front	79
Sealing ring 44x32x4	80
Lock plate for burner c/w bolt	82
Gasket 23.8mm o/d x 17.2mm l/d x 2mm	83
Adapter support	85
Service set stud bolt (4 pcs) heat-exchanger	91
Cable set complete wiring harness	not illustrated

Table 20 Part list











© Copyright

All technical and technological information contained in these technical instructions, as well as any drawings and technical descriptions furnished by us remain our property and may not be multiplied without our prior consent in writing.

111352-1006 Subject to alterations



111352

**Broag Ltd.**

Remeha House  
Molly Millars Lane  
RG41 2QP WOKINGHAM, Berks.  
Tel: +44 118 9783434  
Fax: +44 118 9786977  
Internet: [uk.remeha.com](http://uk.remeha.com)  
E-mail: [boilers@broag-remeha.com](mailto:boilers@broag-remeha.com)

