

- GB** **Forced draught gas burner**
- E** **Quemador de gas de aire soplado**

Two stage progressive or modulating operation
Funcionamiento a dos llamas progresivas o modulante

RIELLO 40

CODE - CÓDIGO	MODEL - MODELO	TYPE - TIPO
20066426	RIELLO 40 GS10/M	729T2

INDEX

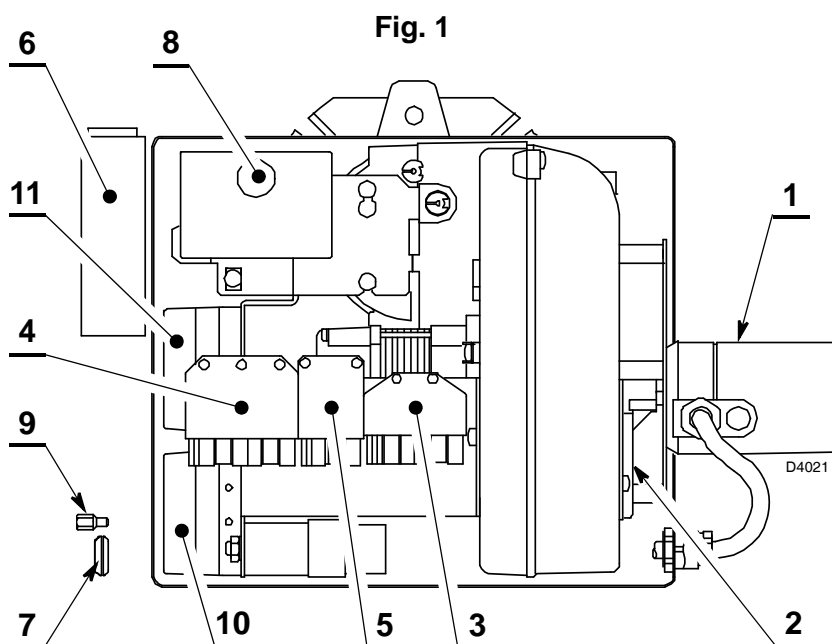
1. BURNER DESCRIPTION	1	4.2 Electrical connection	7
1.1 Burner equipment	1	4.3 Probe-electrode positioning	8
2. TECHNICAL DATA	2	5. BURNER SETTINGS	8
2.1 Technical data	2	5.1 Combustion head setting	8
2.2 Accessories	2	5.2 Setting of the air damper servomotor	9
2.3 Overall dimensions	2	5.3 Commissioning	9
2.4 Firing rates	3	5.4 Combustion adjustment	10
3. INSTALLATION	4	5.5 Burner start-up	11
3.1 Boiler fixing	4	5.6 Min. air pressure switch	11
3.2 Gas feeding line	5	5.7 Max. air pressure switch	11
4. ELECTRICAL WIRING	6	6. MAINTENANCE	11
4.1 Electrical system	6	7. FAULTS / SOLUTIONS	12

1. BURNER DESCRIPTION

Two stage progressive operation mode or fully modulating by regulator, available as accessory.

- The burner is approved for intermittent operation as per Directive EN 676.
- The burner meets protection level of IP 40, EN 60529.
- According to Directives: EMC 2004/108/EC, Low Voltage 2006/95/EC and Machines 2006/42/EC.
- Gas train according to EN 676.

- 1 – Air damper servomotor
- 2 – Air-damper
- 3 – 6 pole socket for gas-train
- 4 – 7 pole socket for electrical controls
- 5 – 4 pole socket for high-low power
- 6 – Power regulator of RWF 40
- 7 – Grommet
- 8 – Lock-out lamp and reset button
- 9 – Screw for fixing the cover
- 10 – Min. air pressure switch
- 11 – Max. air pressure switch



NOTE

The cable grommet (7) and the screw for fixing the cover (9) supplied with the burner, must be fitted to the same side as the gas train.

1.1 BURNER EQUIPMENT

Flange with insulating gasket	No. 1	Screws and nuts for flange to be fixed to boiler	No. 4
Screw and nut for flange	No. 1	7 pin plug	No. 1
Hinge	No. 1	4 pin plug	No. 1
Screw for fixing the cover	No. 1	6 pin plug	No. 1
Cable grommet	No. 1	M12 connector	No. 1
Pipe	No. 1	G1/8 union elbow	No. 1

2. TECHNICAL DATA

2.1 TECHNICAL DATA

TYPE	729T2
Thermal power (1)	22/42 – 105 kW 18,900/36,100 – 90,300 kcal/h
Natural gas (Family 2)	Net heat value: 10 kWh/Nm ³ Pressure: min. 10 mbar – max. 360 mbar
Electrical supply	Single phase, ~ 60Hz 220V ± 10%
Motor	Run current 1 A 3300 rpm - 345 rad/s
Capacitor	2.5 µF
Ignition transformer	Primary 230 V – 45 VA Secondary 1 x 15 kV – 25 mA
Absorbed electrical power	0.18 kW
(1) Reference conditions: Temp. 20°C - Barometric pressure 1013 mbar – Altitude 0 m above sea level	

For gas family 3 (LPG) ask for separate kit.

COUNTRY	IT - DK	GB	DE	FR	IE
GAS CATEGORY	I12H3P	I12H3P	I12E3P	I12Er3P	I12H3P
PRESSURE	G20	20 - 360	20 - 360	20/25 - 360	20 - 360
	G31	28/37 - 360	37 - 360	30 - 360	37 - 360

2.2 ACCESSORIES (optional)

• **KIT (PC INTERFACE KIT):** cod. 3002719

• **OUTPUT POWER REGULATOR KIT:**

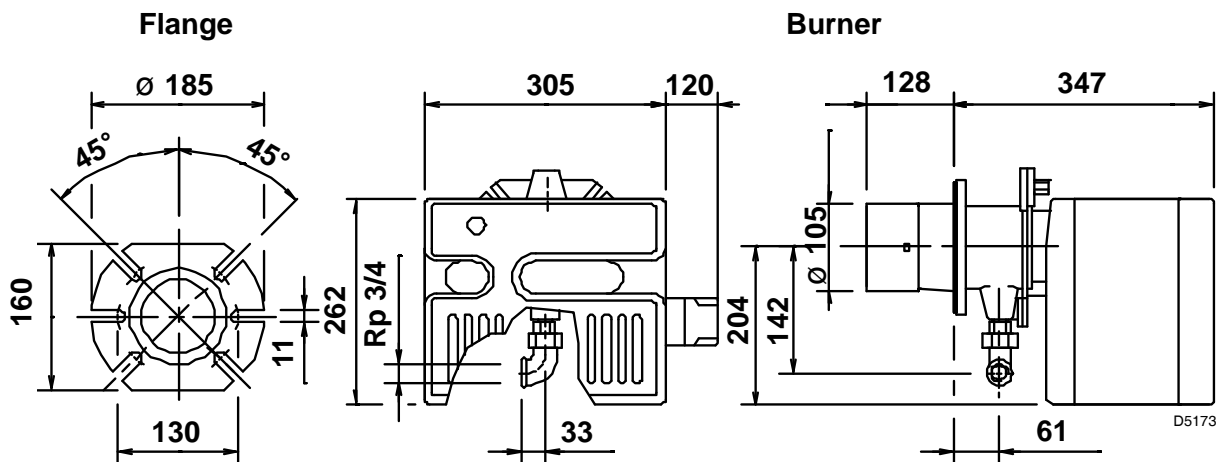
under modulating operation, the burner automatically adapts to one of an infinite number of firing rates between the low and high flame output position, thus ensuring stable operating conditions in terms of temperature or pressure.

Two components should be ordered:

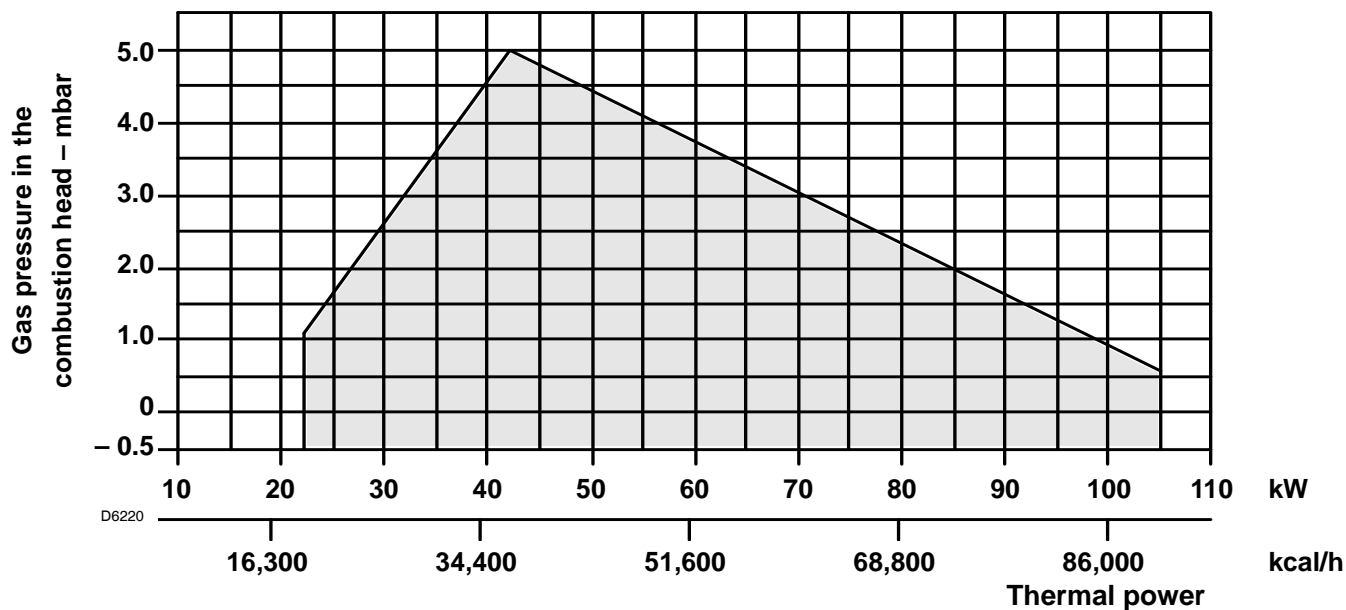
- Power regulator to install to the burner.
- Probe to install to the boiler.

PARAMETER TO BE REGULATED	PROBE			REGULATOR	
	Range	Type	Code	Type	Code
Temperature	- 100...+ 500 °C	PT 100	3010110	RWF40	3001074
Pressure	0...2.5 bar	Output probe 4...20 mA	3010213		
	0...16 bar	Output probe 4...20 mA	3010214		

2.3 OVERALL DIMENSIONS



2.4 FIRING RATE (as EN 676)



TEST BOILER

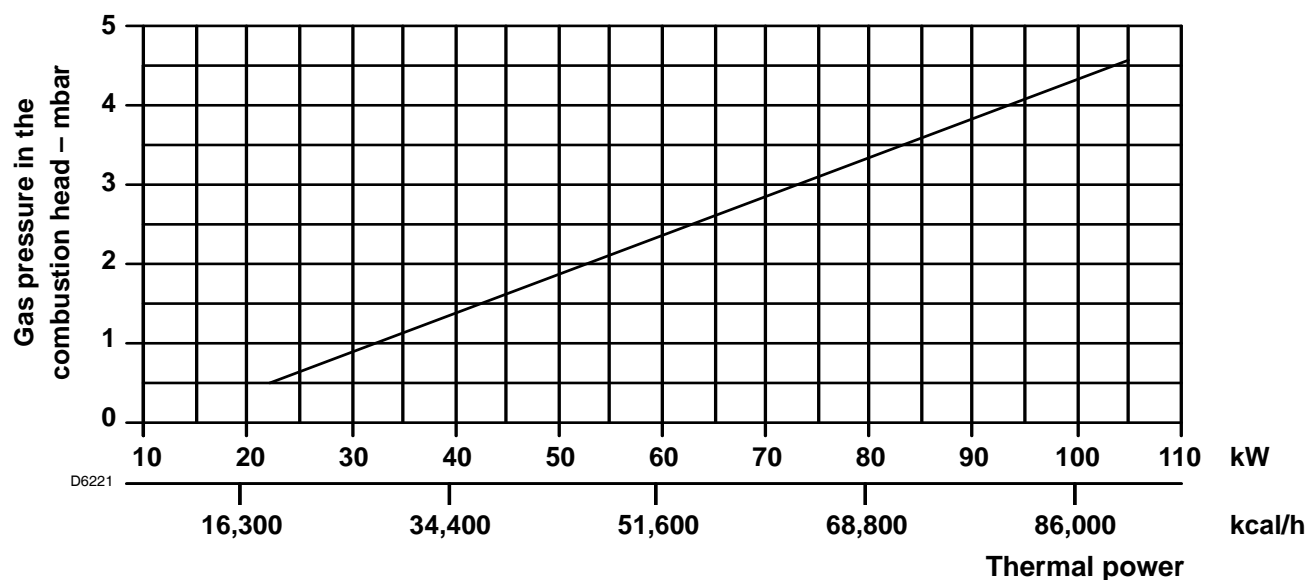
The working field has been defined according to EN 676 standard.

COMMERCIAL BOILERS

The burner-boiler matching is assured if the boiler conforms to EN 303 and the combustion chamber dimensions are similar to those shown in the diagram EN 676. For applications where the boiler does not conform to EN 303, or where the combustion chamber is much smaller than the dimensions given in EN 676, please consult the manufacturers.

CORRELATION BETWEEN GAS PRESSURE AND BURNER OUTPUT

To obtain the maximum output, a gas head pressure of 4.6 mbar, relatively to type 52216X, is measured with the combustion chamber at 0 mbar using gas G20 with a net heat value of 10 kWh/Nm³.



3. INSTALLATION

After carefully cleaning all around the area where the burner will be installed, and arranging the correct lighting of the environment, proceed with the installation operations.



All the installation, maintenance and disassembly operations must be carried out with the electricity supply disconnected.



The installation of the burner must be carried out by qualified personnel, as indicated in this manual and in compliance with the standards and regulations of the laws in force.



Combustion air inside the boiler must be free from hazardous mixes (e.g.: chloride, fluoride, halogen); if present, it is highly recommended to carry out cleaning and maintenance more frequently.

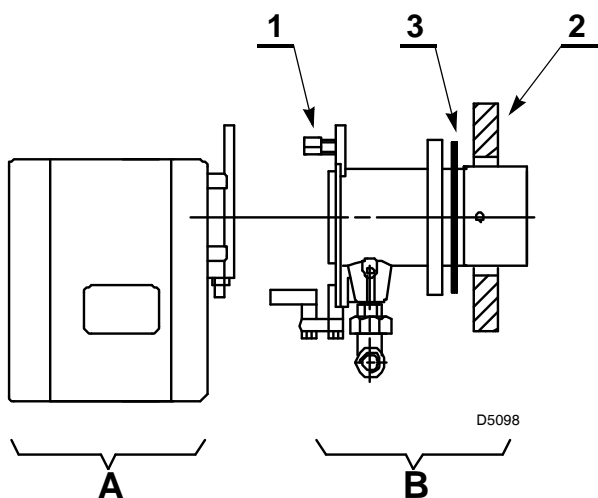


After removing all the packaging, check the integrity of the contents.
In the event of doubt, do not use the burner; contact the supplier.

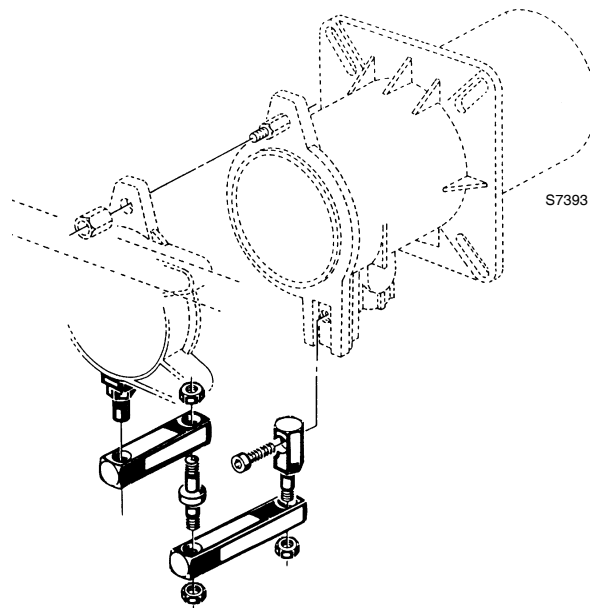
3.1 BOILER FIXING

Separate the combustion-head assembly from the burner body by removing nut (1) and removing group (A).

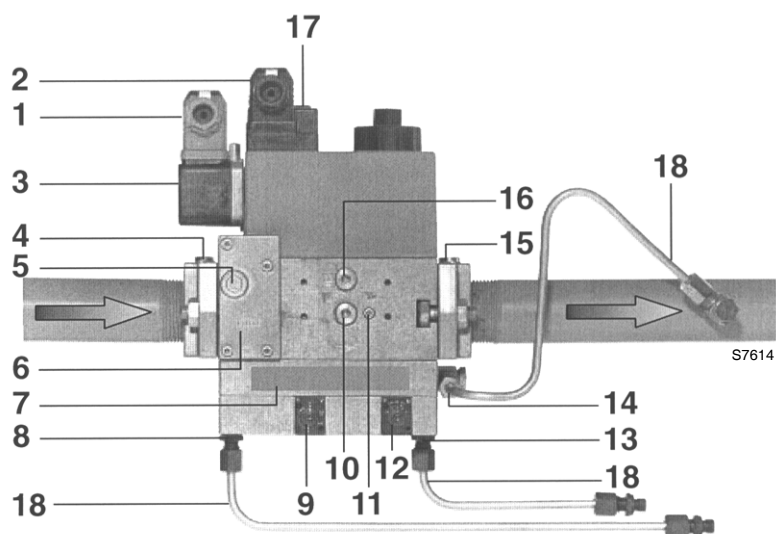
Fix the head assembly group (B) to the boiler (2) insert the equipped insulating gasket (3).



HINGE ASSEMBLY



3.2 GAS FEEDING LINE



- 1 - Electrical connection for pressure switch
- 2 - Electrical connection for valves
- 3 - Pressure switch
- 4 - Inlet flange
- 5 - Test point connection upstream of filter
- 6 - Filter
- 7 - Type plate
- 8 - Pressure connection (air)
- 9 - Setting screw, ratio **V**
- 10 - Test point connection
- 11 - Test point connection
- 12 - Setting screw, zero point adjustment **N**
- 13 - Pressure connection for furnace pressure
- 14 - Pressure connection (gas)
- 15 - Outlet flange
- 16 - Test point connection
- 17 - Operation indicator LED
- 18 - Impulse line

GAS TRAIN ACCORDING TO EN 676

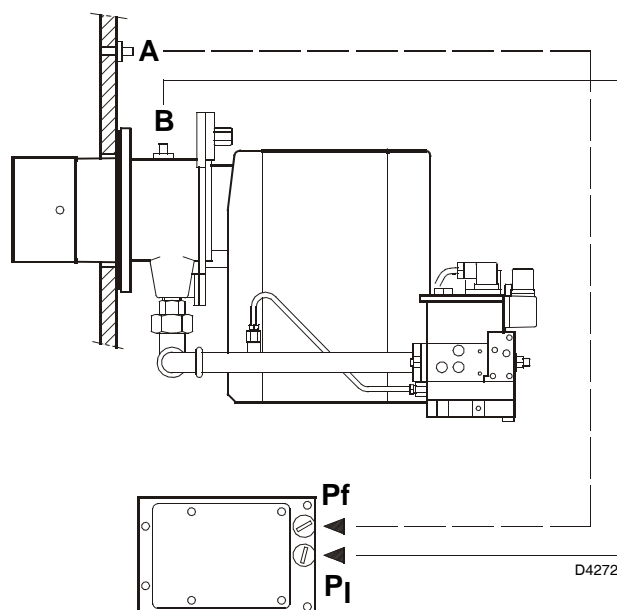
GAS TRAIN		MATCHED BURNER	CONNECTIONS		USE
TYPE	CODE		INLET	OUTLET	
MB-VEF 407 B01	3970535	GS10/M	Rp 3/4	Rp 3/4	Natural gas and LPG

The gas train is supplied separately, for its adjustment see the enclosed instructions.

CONNECTION OF PRESSURE TAPS TO GAS TRAIN

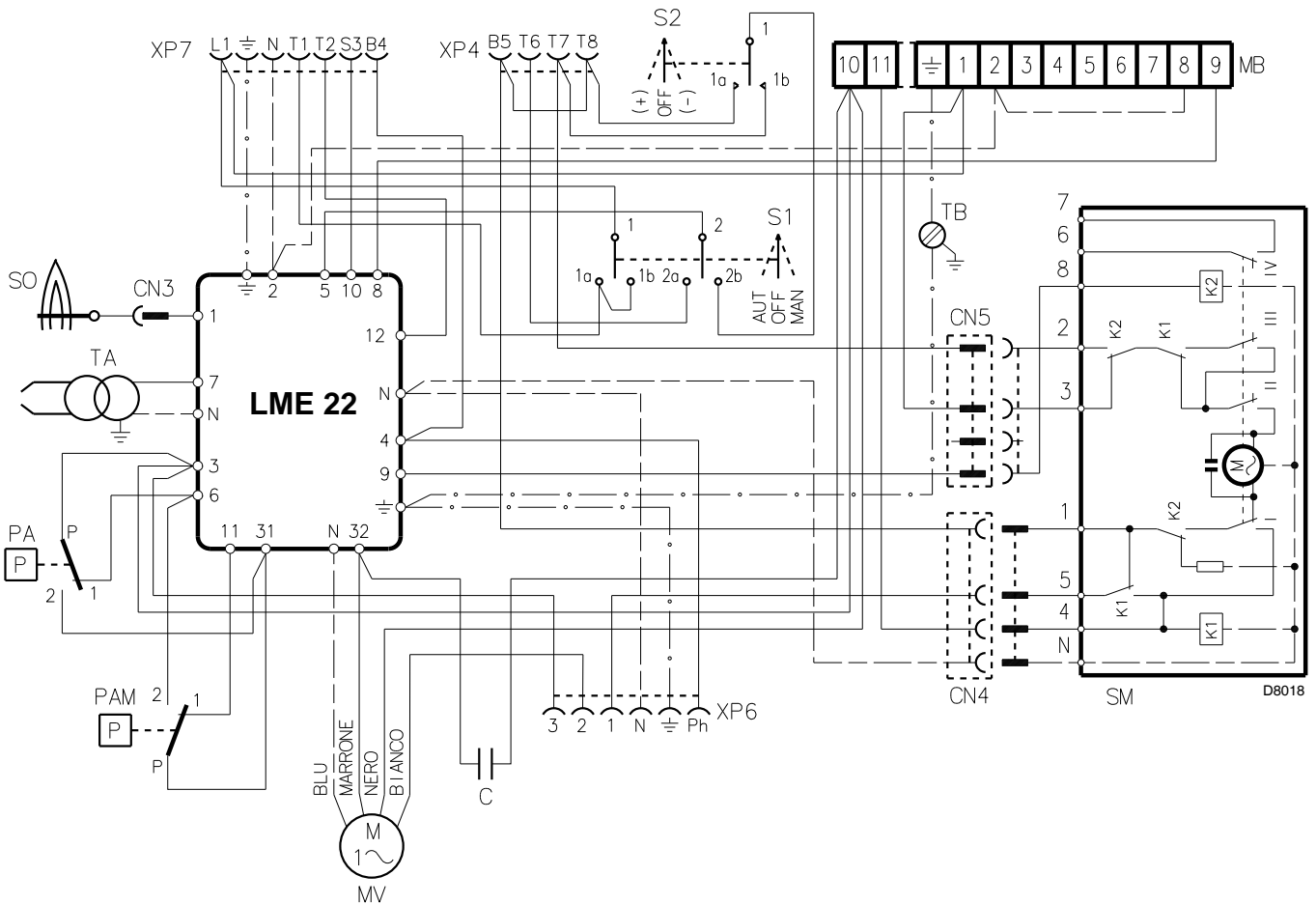
Connect proceeding as follows:

- Secure the three G1/8 connectors (one supplied with the burner and two with the train) at points **A**, **P_f** and **P_I**.
- Secure the M12 connector at point **B**.
- Cut the pipe supplied with the burner into equal halves.
- Connect boiler tap **A** with valve tap **P_f** and sleeve tap **B** with valve tap **P_I** using the previously cut pipes.



4. ELECTRICAL WIRING

4.1 ELECTRICAL SYSTEM, (as set up by the manufacturer)



ATTENTION:

- Do not swap neutral and phase over, follow the diagram shown carefully and carry out a good earth connection.
- The section of the conductors must be at least 1mm². (Unless requested otherwise by local standards and legislation).
- The electrical wiring carried out by the installer must be in compliance with the rules in force in the country.

TESTING

Check the shut-down of the burner by opening the thermostats, and the lock-out by opening the connector (CN3) inserted in the red cable of the probe placed outside of the control box.

NOTES

The burners have been type-approved for intermittent operation. This means they must stop at least once every 24 hours in order to allow the electrical control box to check its efficiency on start-up. The boiler limit thermostat (TL) normally ensures the burner halts. If this does not happen a time switch halting the burner at least once every 24 hours must be applied in series to limit thermostat (TL).

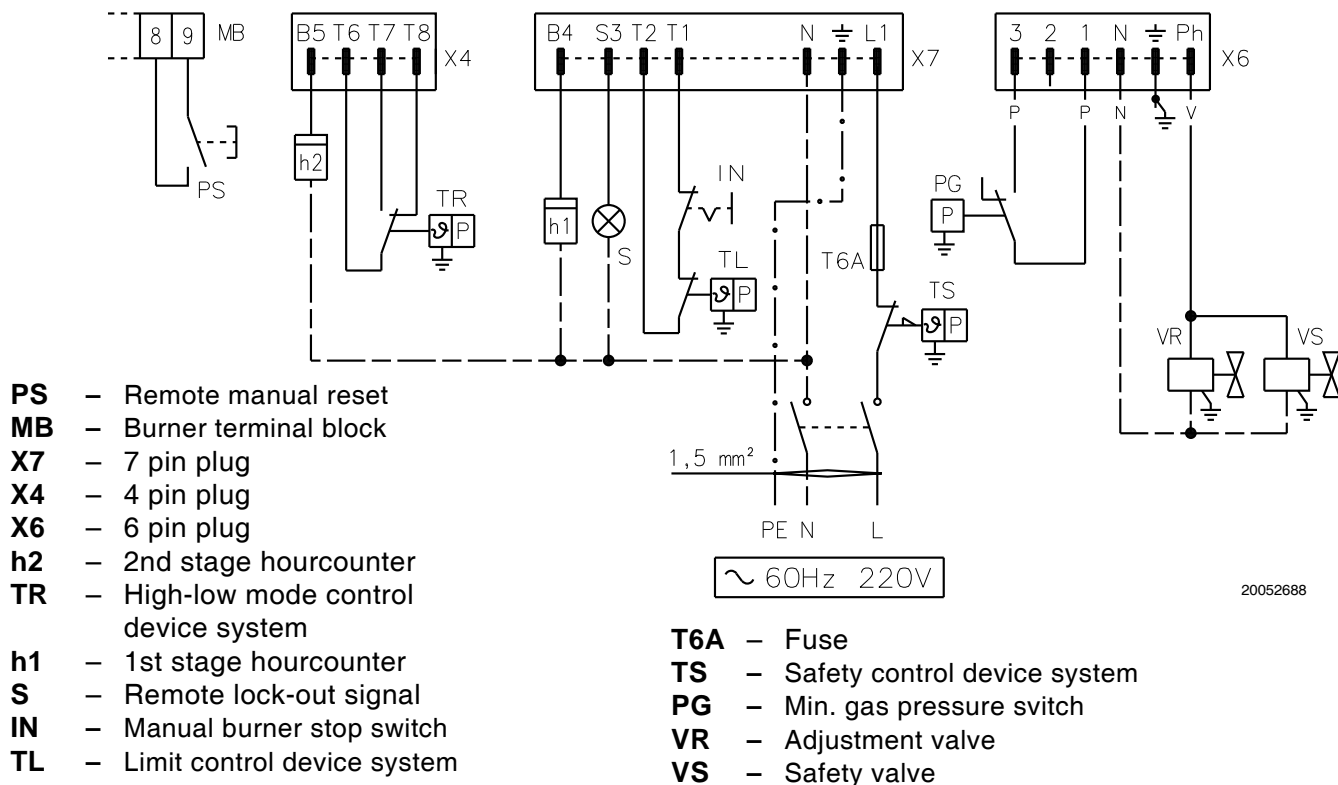
- XP7 – 7 pole socket
- XP4 – 4 pole socket
- XP6 – 6 pole socket
- MB – Auxiliary terminal block
- S1 – Switch for:
MAN = manual operation
AUT = automatic operation
OFF = stand by
- S2 – Button for:
 – = power reduction
 + = power increase
- TB – Burner-earth
- SO – Ionisation probe
- CN... – Connectors
- TA – Ignition transformer
- PA – Min. air pressure switch
- PAM – Max. air pressure switch
- C – Motor capacitor
- SM – Servomotor

4.2 ELECTRICAL CONNECTION, (as set up by the installer)

WARNING

If the boiler has a the 7 pin plug, it should be replaced with the one supplied with the burner.

WITHOUT REGULATOR (high-low progressive mode operation)



20052688

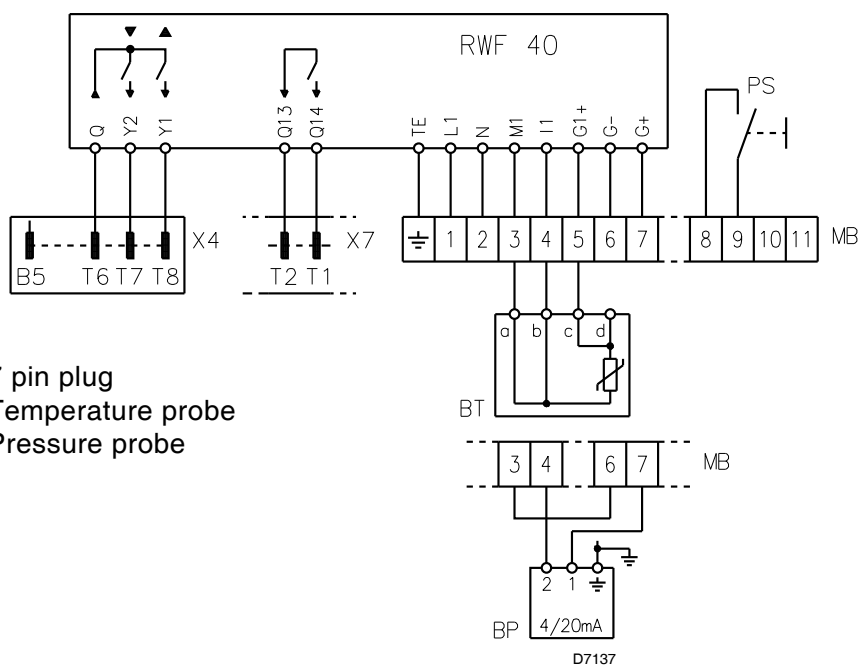
WITH REGULATOR (fully modulating mode operation)

ATTENTION

Do not connect any contact between **T6** and **T8** at the 4 pin plug and between **T1** and **T2** at the 7 pin plug, in order to avoid interference with the regulator.

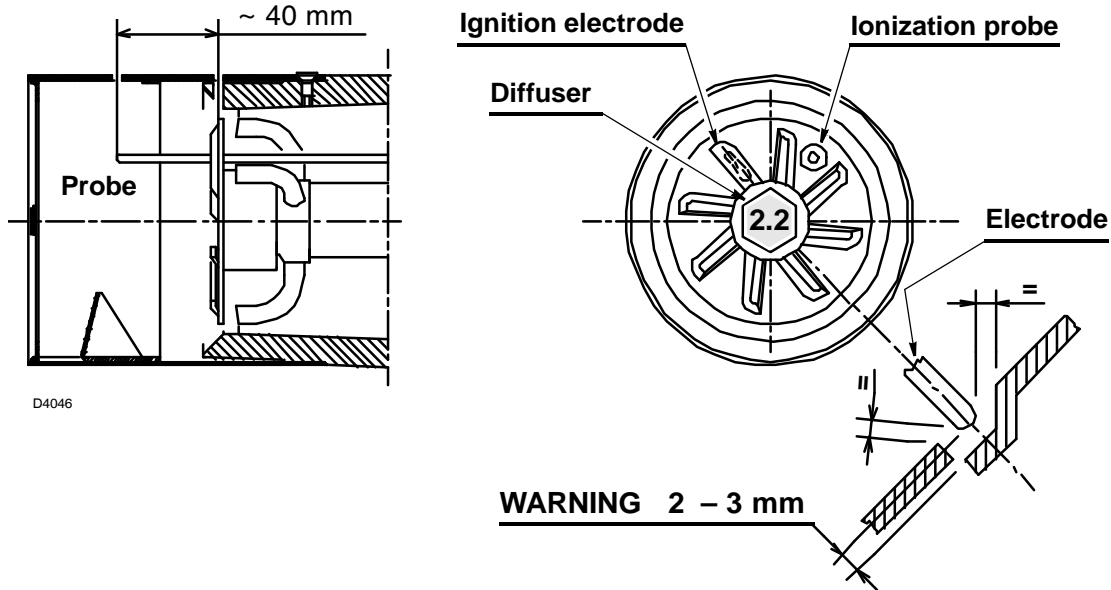
- PS** - Remote manual reset
- MB** - Burner terminal block
- X4** - 4 pin plug

- X7** - 7 pin plug
- BT** - Temperature probe
- BP** - Pressure probe



D7137

4.3 PROBE-ELECTRODE POSITIONING



5. BURNER SETTINGS

5.1 COMBUSTION HEAD SETTING

Factory calibration is set for medium power; according to the boiler output:

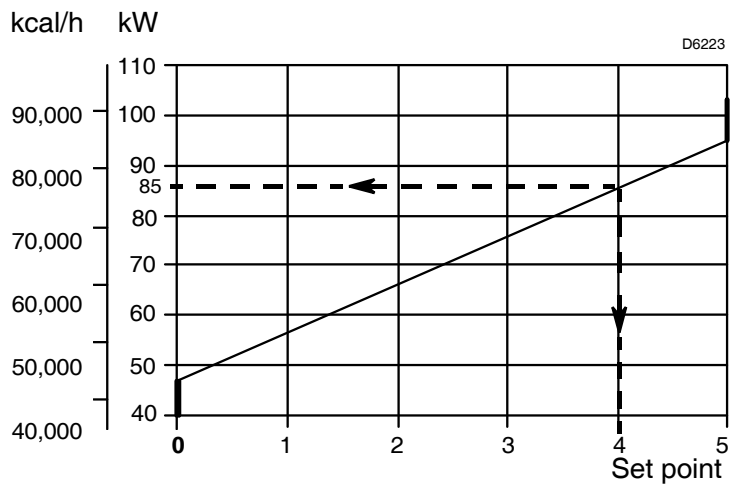
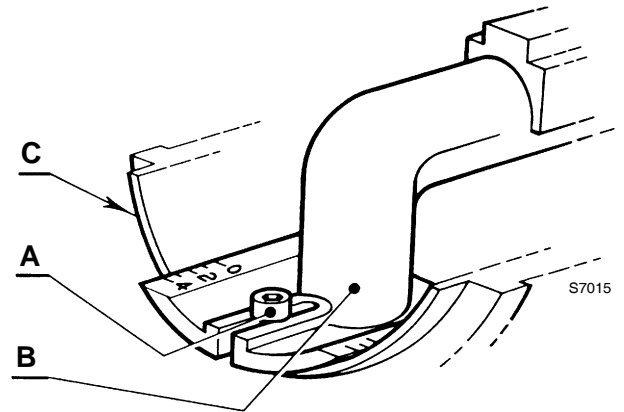
Loosen screw (A) and shift the elbow (B) such that the rear surface of the head assembly casting (C) coincides with the desired notch. Tighten screw (A).

Example:

The burner is installed in a 77 kW boiler. The burner will have to deliver about 85 kW, considering an efficiency of 90%. The diagram indicates, that for this output the elbow (B) is adjusted to set-point 4.

NOTE

The diagram is indicative only. The head setting may require adjustment to suit the boiler characteristics.



5.2 SETTING OF THE AIR DAMPER SERVOMOTOR (see fig. 2)

STAND-BY

CAM II (Blue)

CAM II assures the fully closed position of the air damper, when the burner is shut down (stand by). It is adjusted by the factory at 0°. **DO NOT ALTER.**

FIRST STAGE

CAM III (Orange)

CAM III adjusts the air damper for the ignition and for the minimum output. It is set at 20° by the factory. Do not decrease that value; it can be increased a little, following the need of the application.

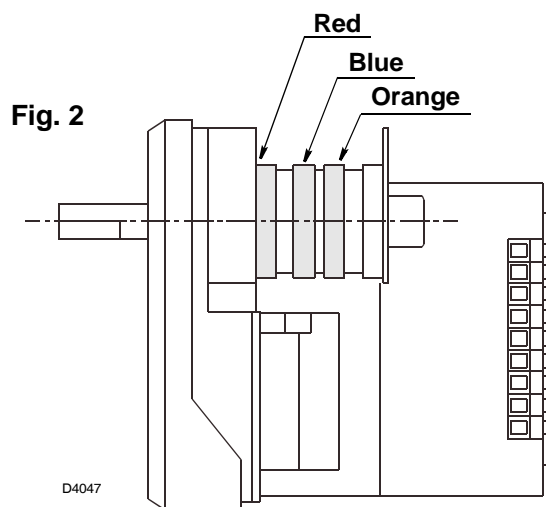
SECOND STAGE

CAM I (Red)

CAM I limits the rotation at the maximum output. It is adjusted at 90° by the factory. **DO NOT INCREASE THAT VALUE:** the burner can be damaged.

NOTE

The servomotor is equipped with two micrometric screws for a careful setting of **CAM II (Blue)** and **CAM III (Orange)**.



5.3 COMMISSIONING

After completing both the electrical and gas valve connections, set the minimum air and the gas pressure switches at minimum value; the maximum air pressure switch must be first set at maximum value. These will be adjusted only at the end of commissioning procedure.

Connect a manometer to the gas pressure test point situated on the burner.

1) For guidance the following table shows:

- the capacity required by the application;
- the minimum firing rate achieved for each capacity;
- approximate gas pressure measured at the combustion head, depending on the maximum capacity required;
- the setting for the air damper.

Thermal power	Min output	Gas pressure on combustion head	Air damper adjustment
kW	kW	mbar (●)	Set point
42	22	1.4	4
60	26	2.4	5
81	30	3.2	6
106	35	3.7	8

(●) These values refer to a combustion chamber with 0 [mbar] back pressure at maximum output.

- 2) For the maximum capacity required, first set the head (section 5.1), and then the manual air damper as per the table at page 10.
- 3) Select the manual (**MAN**) mode operation, and switch **ON** the burner.

- 4) When the burner is alight, press the **(+)** button to manually drive the servomotor to the high fire position and check that the gas pressure also increases.
- 5) Check the gas flow rate at high fire. To set the correct flow rate use the screw adjustments **V** and **N** on the valve body (mainly **V**). Increasing the setting of either **V** or **N** increases the gas flow.
- 6) Adjust the manual air damper to give the required CO₂ level in the flue products. If adjusting the air damper alters the gas flow rate then adjust **V** accordingly.
- 7) Decrease the servomotor position to low fire by pushing the **(-)** button. Check the gas flow rate and adjust if necessary, with screw **N** only, to give the required CO₂ level in the flue products.
- 8) If the low fire output is then more or less than required, adjust **CAM III (Orange)** accordingly. Any adjustment of screw **N** will affect the high fire gas rate.
- 9) Return the servomotor to the high fire position. Re-adjust the high fire gas rate using only screw **V**.
- 10) Again return the servomotor to the low fire position and re-adjust the low fire gas rate using only screw **N**.
- 11) Repeat steps (9) and (10) two or three times until no re-adjustment of screws **V** and **N** is necessary.
- 12) Finally return the selector switch to the automatic **(AUT)** mode position.

5.4 COMBUSTION ADJUSTMENT

In conformity with Efficiency Directive 92/42/EEC the application of the burner on the boiler, adjustment and testing must be carried out observing the instruction manual of the boiler, including verification of the CO and CO₂ concentration in the flue gases, their temperatures and the average temperature of the water in the boiler.

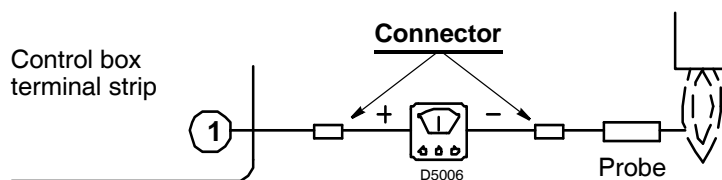
It is advisable to set the burner according to the type of gas used and following the indications of the table:

EN 676		AIR EXCESS: max. output $\lambda \leq 1.2$ – min. output $\lambda \leq 1.3$			
GAS	Theoretical max. CO ₂ 0 % O ₂	Setting CO ₂ %		CO mg/kWh	NO _x mg/kWh
		$\lambda = 1.2$	$\lambda = 1.3$		
G 20	11.7	9.7	9.0	≤ 100	≤ 170
G 30	14.0	11.6	10.7	≤ 100	≤ 230
G 31	13.7	11.4	10.5	≤ 100	≤ 230

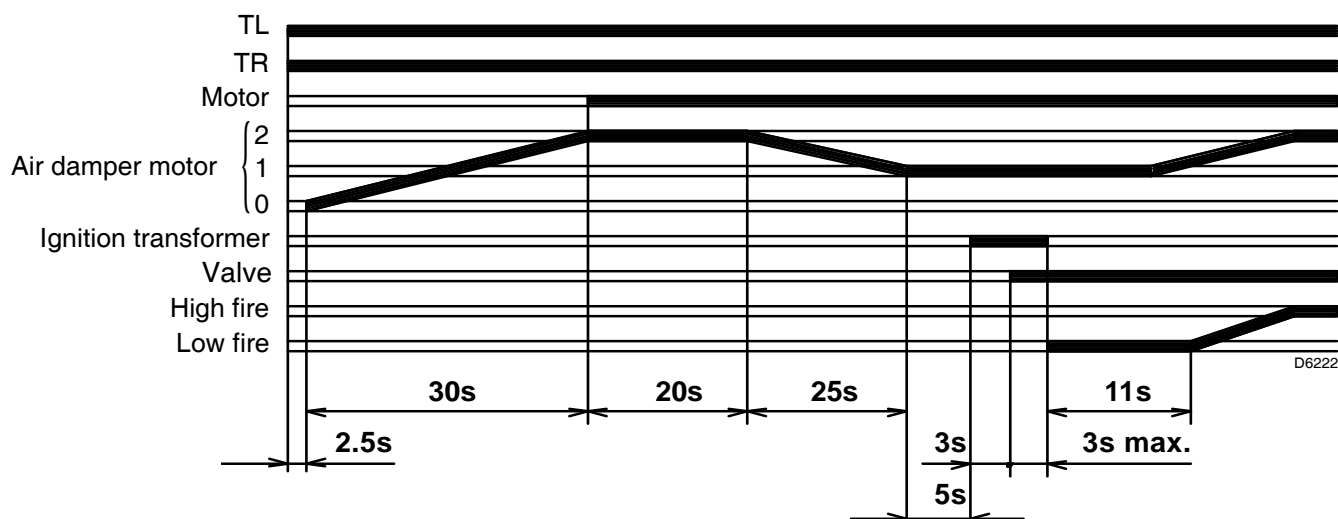
IONIZATION CURRENT

The minimum current necessary for the control box operation is 2 μA. The burner normally supplies a higher current value, so that no check is needed.

Anyway, if you want to measure the ionization current, you have to open the connector **(CN3)** (see electrical scheme page 7) fitted on the wire and insert a microammeter.



5.5 BURNER START-UP



5.6 MIN. AIR PRESSURE SWITCH

Adjust the air pressure switch after having performed all other burner adjustments with the air pressure switch set to the start of the scale. With the burner operating at the minimum power, slowly turn knob clockwise until burner locks out. Then turn the knob anti-clockwise by about 20% of the set point and subsequently check to see if burner has started correctly. If the burner locks out again, turn the knob anti-clockwise a little bit more.

5.7 MAX. AIR PRESSURE SWITCH

The over pressure switch must be set after all other adjustments have been made. Its purpose is to cause the burner to shut down if the combustion chamber pressure increases above normal operational values.

Begin with the switch at the highest setting, with the burner working at the maximum output, adjust the dial anti-clockwise, decreasing its value until the burner shuts down. Now increase the value by one set point and re-start the burner. If the burner shuts down due to the pressure surge in the combustion chamber caused by the ignition gas, check that the start gas rate is less than 25% of the main gas rate. If it is, increase the value on the over pressure switch by a further half a set point and repeat the test.

NOTE:

To comply with the Appliance Standard Pr EN 1020, the CO value must not exceed 0.1% under normal operational conditions.

Attention:

As a rule, the air pressure switch must prevent the air pressure from lowering below 80% of the adjustment value as well as preventing the CO in the fumes from exceeding 1% (10,000 ppm).

To check this, insert a combustion analyser into the chimney, slowly close the fan suction inlet (*for example with cardboard*) and check that the burner locks out, before the CO in the fumes exceeds 1%.

6. MAINTENANCE

The burner requires periodic maintenance carried out by a qualified and authorised technician **in conformity with legislation and local standards.**

Maintenance is essential for the reliability of the burner, avoiding the excessive consumption of fuel and consequent pollution.

Before carrying out any cleaning or control always first switch off the electrical supply to the burner acting on the main switch of the system.

THE BASIC CHECKS ARE:

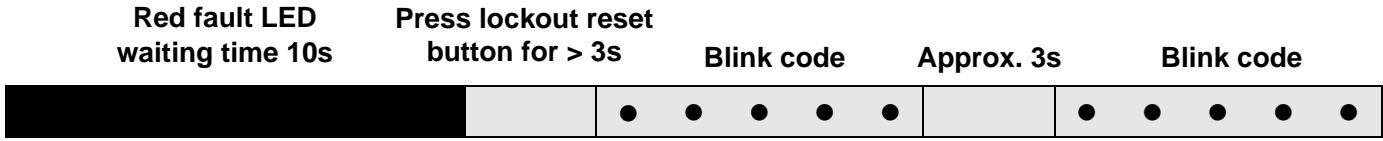
Leave the burner working without interruptions for 10 min. and set rightly all the components stated in this manual. **Then carry out a combustion check verifying:**

- Content of CO₂ (%)
- Content of CO (ppm)
- Flue gas temperature (°C).

7. FAULTS / SOLUTIONS

The control box has a self-diagnostic system, by which it is possible to easily check the faults and find the solutions.

To use this function, wait for a minimum of 10 sec after the lock out, then push the reset button for 3 sec. After releasing the button, the RED LED will begin to flash, as shown in the following schedule.



The LED provide a blink code each 3sec.

The blink codes give the information of the possible faults, as follows:

BLINK CODE	POSSIBLE CAUSE
2 ● ●	The flame does not stabilize at the end of the safety time: – faulty or soiled ionization probe; – faulty or soiled fuel valves; – neutral/phase exchange; – poor burner regulation.
3 ● ● ●	Minimum air pressure switch does not close: – air pressure switch faulty; – air pressure switch incorrectly regulated; – fan motor does not run; – maximum air pressure switch operating.
4 ● ● ● ●	Extraneous light during pre-purging, or control box faulty.
5 ● ● ● ● ●	Minimum air pressure switch does not open: – air pressure switch faulty; – air pressure switch incorrectly adjusted.
7 ● ● ● ● ● ● ●	Loss of flame during operation: – poor burner regulation; – faulty or soiled fuel valves; – short circuit between ionization probe and earth.
10 ● ● ● ● ● ● ● ● ● ●	Control box faulty.



In the event of a burner lockout, more than two consecutive burner reset operations could cause damage to the installation. On the third lockout, contact the Aftersales Service.



If further lockouts or burner faults occur, interventions must only be made by qualified, authorised personnel (as indicated in this manual, and in compliance with the laws and regulations currently in force).

ÍNDICE

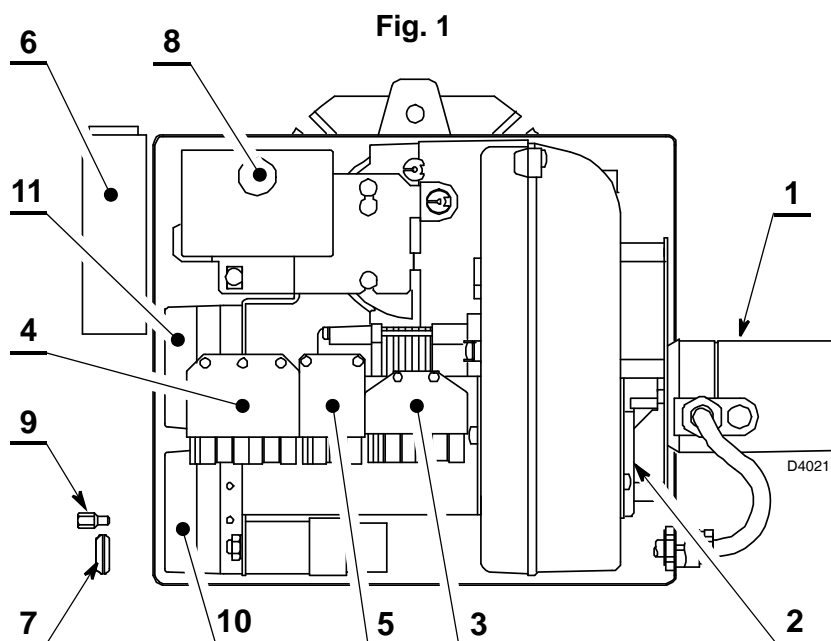
1. DESCRIPCIÓN DEL QUEMADOR	1	4.2 Conexiones eléctricas	7
1.1 Material suministrado en dotación	1	4.3 Colocación sonda electrodo	8
2. DATOS TÉCNICOS	2	5. REGULACIONES DEL QUEMADOR	8
2.1 Datos técnicos	2	5.1 Regulación cabezal	8
2.2 Accesorios	2	5.2 Regulación servomotor registro de aire	9
2.3 Dimensiones	2	5.3 Primer encendido	9
2.4 Campos de trabajo	3	5.4 Control de la combustión	10
3. INSTALACIÓN	4	5.5 Programa de arranque	11
3.1 Fijación a la caldera	4	5.6 Presóstato aire de mínima	11
3.2 Línea de alimentación gas	5	5.7 Presóstato aire de máxima	11
4. CABLEADO ELÉCTRICO	4	6. MANTENIMIENTO	11
4.1 Instalación eléctrica	4	7. ANOMALÍAS / SOLUCIONES	12

1. DESCRIPCIÓN DEL QUEMADOR

Quemador de gas con funcionamiento biestadio progresivo o modulante con la aplicación de un kit regulador de potencia.

- Nivel de protección del quemador IP 40 de acuerdo con EN 60529.
- El quemador está homologado para un funcionamiento intermitente de acuerdo con la Normativa EN 676.
- Conforme con las Directivas: CEM 2004/108/CE, Baja Tensión 2006/95/CE y Máquinas 2006/42/CE.
- Rampa de gas conforme a EN 676.

- 1 – Servomotor registro de aire
- 2 – Registro de aire
- 3 – Conector hembra de 6 contactos para rampa
- 4 – Conector hembra de 7 contactos para conexiones eléctricas
- 5 – Conector hembra de 4 contactos para alta-baja potencia
- 6 – Regulador de potencia RWF 40
- 7 – Pasacable
- 8 – Pulsador de desbloqueo con señalización de bloqueo
- 9 – Tornillo para la fijación del envoltorio
- 10 – Presóstato de aire de mínima
- 11 – Presóstato de aire de máxima



NOTAS

El anillo pasacable (7) y el tornillo para la fijación del envoltorio (9), suministrados en dotación junto con el quemador, se deben montar en el mismo lado que la rampa de gas.

1.1 MATERIAL SUMINISTRADO EN DOTACIÓN

Brida con junta aislante	Nº 1	Tornillos y tuercas para brida de fijación a la caldera	Nº 4
Tornillo y tuerca para la brida	Nº 1	Conector macho de 7 contactos	Nº 1
Bisagra	Nº 1	Conector macho de 4 contactos	Nº 1
Tornillo para fijación de la cubierta	Nº 1	Conector macho de 6 contactos	Nº 1
Pasacable	Nº 1	Racord M12	Nº 1
Tubo	Nº 1	Racord a codo G1/8	Nº 1

2. DATOS TÉCNICOS

2.1 DATOS TÉCNICOS

TIPO	729T2
Potencia térmica (1)	22/42 – 105 kW 18.900/36.100 – 90.300 kcal/h
Gas natural (Familia 2)	Pci: 10 kWh/Nm ³ Presión: mín. 10 mbares – máx. 360 mbar
Alimentación eléctrica	Monofásica, ~ 60Hz 220V ± 10%
Motor	1 A absorbidos 3300 g/min - 345 rad/s
Condensador	2,5 µF
Transformador de encendido	Primario 230 V – 45 VA Secundario 1 x 15 kV – 25 mA
Potencia eléctrica absorbida	0,18 kW
(1) Condiciones de referencia: Temperatura 20°C - Presión barométrica 1013 mbares – Altitud 0 m s.n.m.	

Para gas de la familia 3 (GPL) solicite un kit a parte.

PAÍS	IT - DK	GB	DE	FR	IE
CATEGORÍA GAS	I12H3P	I12H3P	I12E3P	I12Er3P	I12H3P
PRESIÓN	G20	20 - 360	20 - 360	20/25 - 360	20 - 360
	G31	28/37 - 360	37 - 360	30 - 360	37 - 360

2.2 ACCESORIOS (optional)

• **KIT (KIT INTERFAZ PC):** cod. 3002719

• **KIT REGULADOR DE POTENCIA:**

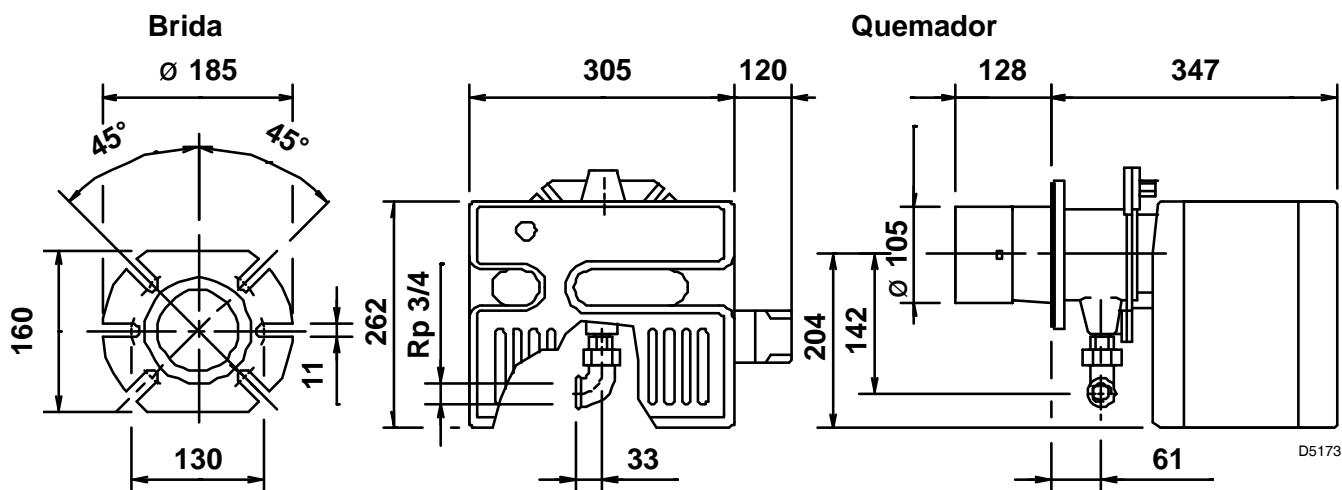
con el funcionamiento modulante, el quemador adapta automáticamente la potencia producida entre su valor máximo y mínimo, manteniendo constante el parámetro, temperatura o presión, que deben ser controlados.

Se deben encargar dos componentes:

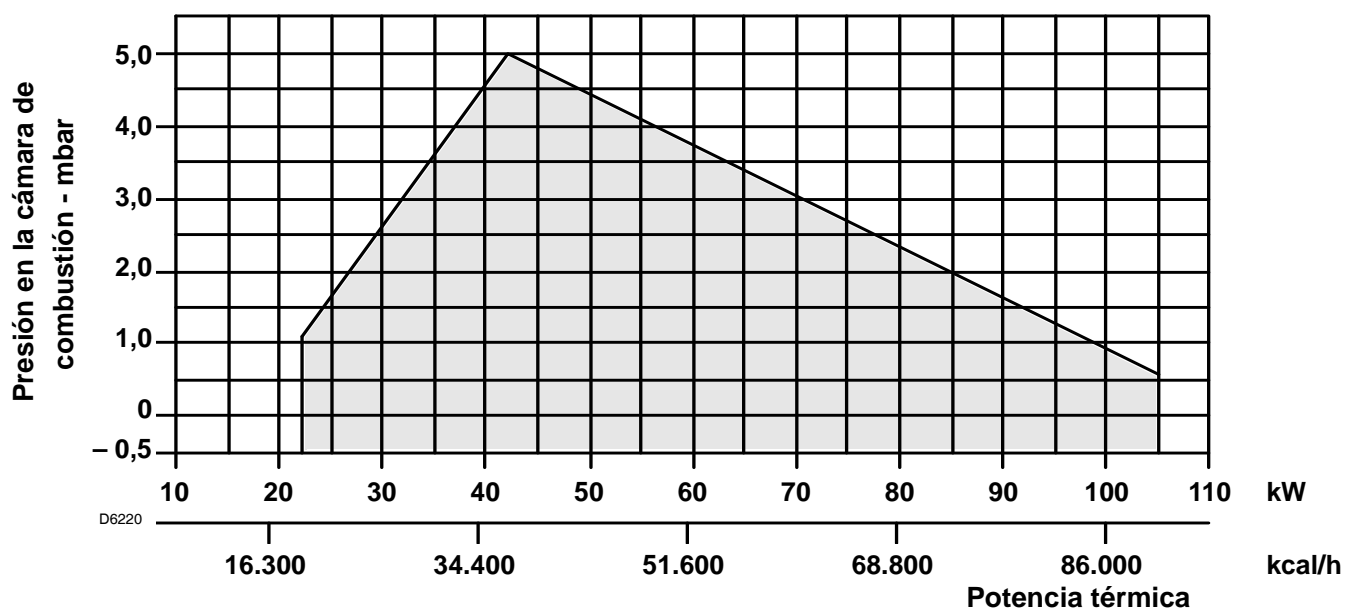
- Un regulador de potencia, que se debe instalar en el quemador.
- Una sonda, que se debe instalar en la caldera.

PARÁMETROS A REGULAR	SONDA			REGULADOR	
	Campo de regulación	Tipo	Código	Tipo	Código
Temperatura	- 100...+ 500 °C	PT 100	3010110	RWF40	3001074
Presión	0...2,5 bar	Potencia sonda 4...20 mA	3010213		
	0...16 bar	Potencia sonda 4...20 mA	3010214		

2.3 DIMENSIONES



2.4 CAMPO DE TRABAJO (según EN 676)



CALDERAS DE PRUEBA

El campo de trabajo se obtuvo en calderas de prueba según la norma EN 676.

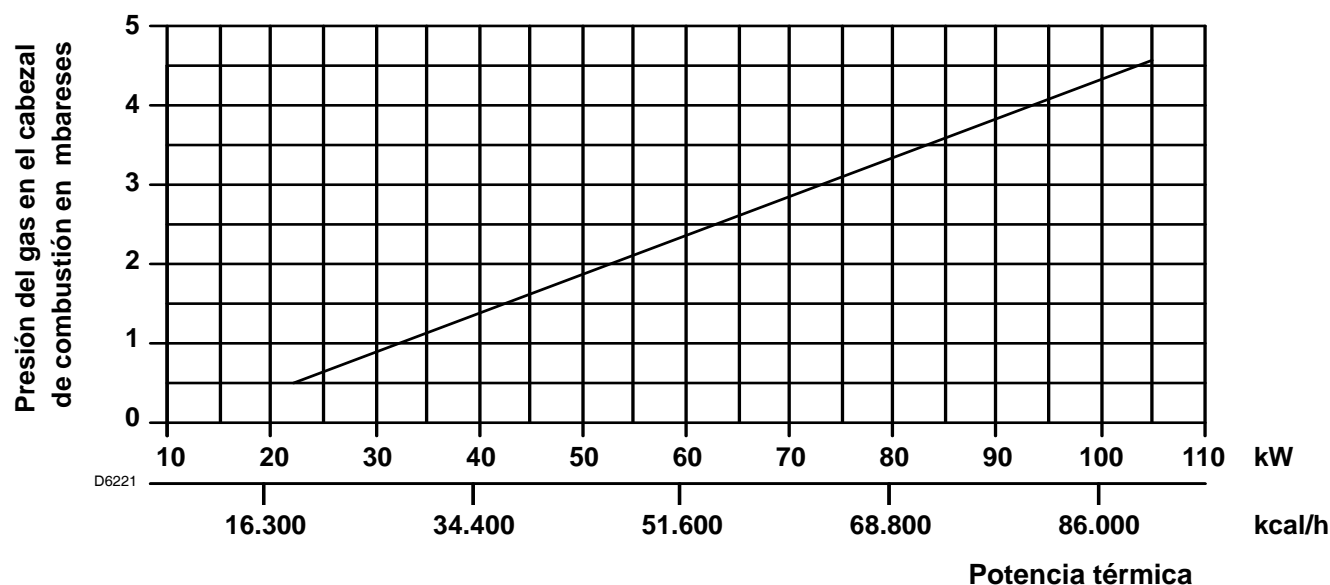
CALDERAS COMERCIALES

La combinación quemador-caldera no crea problemas si la caldera es conforme a la norma EN 303 y las dimensiones de su cámara de combustión se aproximan a las previstas en la norma EN 676.

Si, en cambio, el quemador se combina a una caldera comercial no conforme a la norma EN 303 o con dimensiones de la caldera de combustión netamente más pequeñas de las indicadas en la norma EN 676, consultar a los fabricantes.

CORRELACIÓN ENTRE PRESIÓN DEL GAS Y POTENCIA

Para conseguir el máximo rendimiento se necesitan 4.6 mbares, respecto al quemador tipo 52216X, medidos en el collarín, con cámara de combustión a 0 mbar y gas G20 – Pci = 10 kWh/Nm³.



3. INSTALACIÓN

Después de realizar una cuidadosa limpieza en toda el área de la instalación del quemador y de proveer una correcta iluminación del ambiente, proceder con las operaciones de instalación.



Todas las operaciones de instalación, mantenimiento y desmontaje deben ser realizadas en su totalidad con la red eléctrica desconectada.



El quemador debe ser instalado por personal habilitado según todo lo indicado en el presente manual y en conformidad con las normas y disposiciones de ley vigentes.



El aire comburente presente en la caldera debe estar libre de mezclas peligrosas (ej: cloruro, fluoruro, alógeno); si las hay, se recomienda efectuar aun más frecuentemente la limpieza y el mantenimiento.

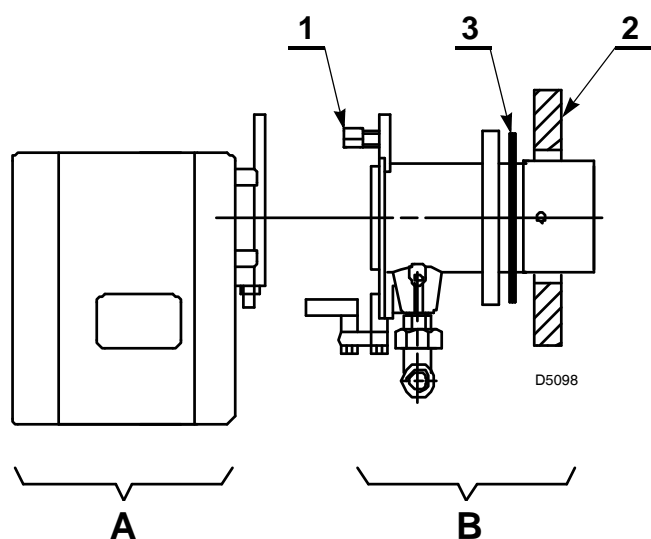


Después de haber quitado todos los embalajes, asegurarse de la integridad del contenido.
En caso de dudas no utilizar el quemador y dirigirse al proveedor.

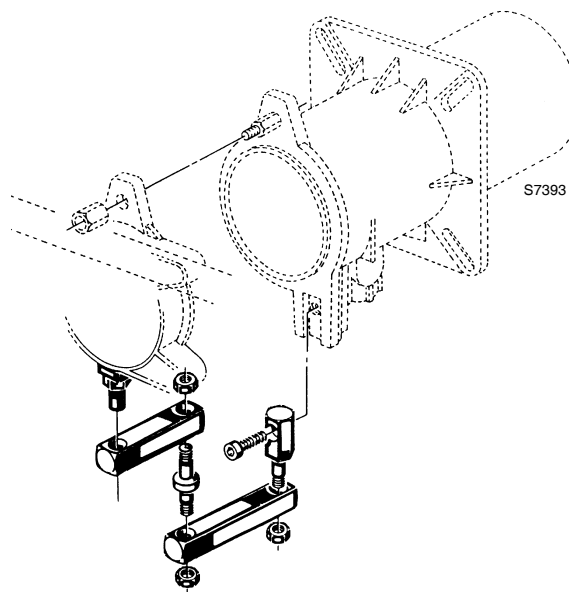
3.1 FIJACIÓN A LA CALDERA

Separe el cabezal de combustión del resto del quemador quitando la tuerca (1) y retire el grupo (A).

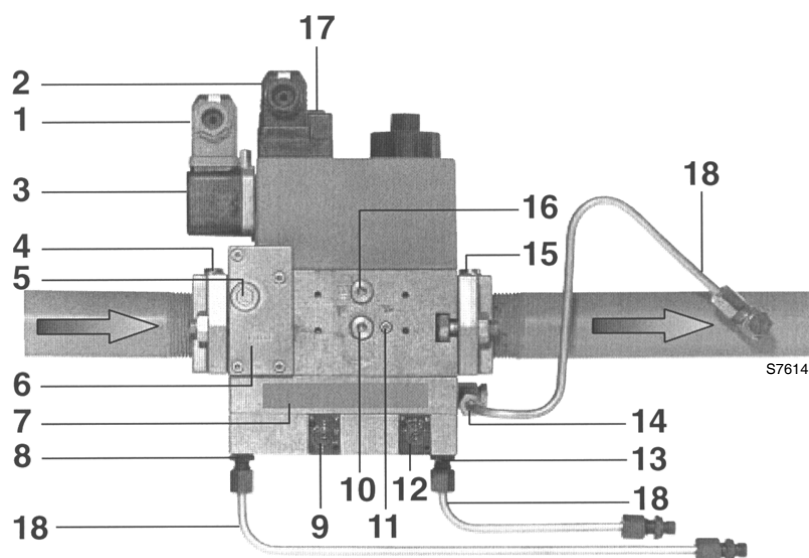
Fije el grupo (B) a la placa (2) de la caldera, interponiendo la junta aislante (3) suministrada de serie.



MONTAJE BISAGRA



3.2 LÍNEA DE ALIMENTACIÓN DE GAS



- 1 - Cable presostato gas
- 2 - Cable válvula
- 3 - Presostato gas
- 4 - Brida
- 5 - Punto toma presión filtro
- 6 - Filtro
- 7 - Etiqueta
- 8 - Conexión presión de aire
- 9 - Tornillo de regulación V
- 10 - Conexión toma de presión
- 11 - Conexión toma de presión
- 12 - Tornillo de regulación N (punto cero)
- 13 - Conexión toma presión cámara de combustión
- 14 - Conexión toma presión gas
- 15 - Brida
- 16 - Conexión toma presión
- 17 - LED de señal alimentación electroválvula
- 18 - Conexiones a impulsos

RAMPA DE GAS DE ACUERDO CON EN 676

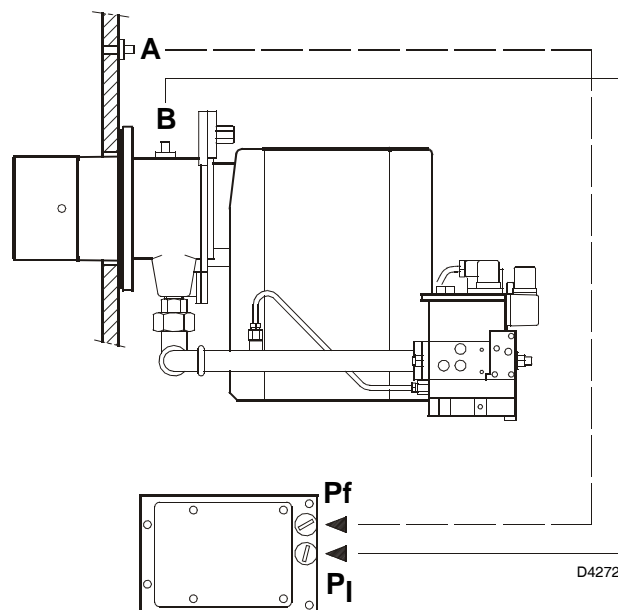
RAMPA DE GAS		QUEMADOR COMBINABLE	UNIONES		EMPLEO
TIPO	CÓDIGO		ENTRADA	SALIDA	
MB-VEF 407 B01	3970535	GS10/M	Rp 3/4	Rp 3/4	Gas natural y GPL

La rampa de gas se suministra a parte y para su regulación hay que ver las instrucciones que la acompañan.

CONEXIÓN TOMAS DE PRESIÓN A LA RAMPA DE GAS

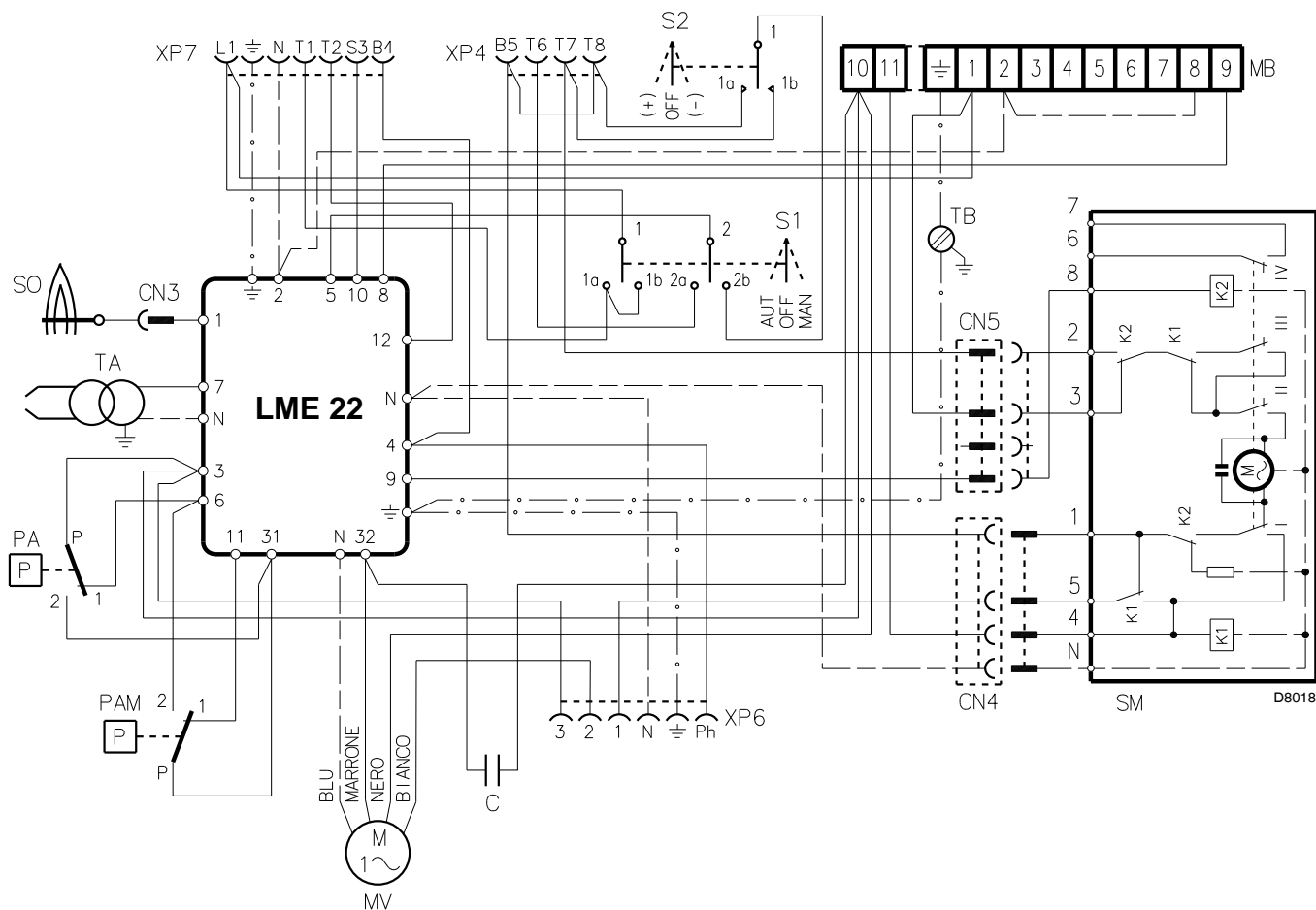
Para la conexión proceder del siguiente modo:

- Fijar los tres racores de G1/8 (uno suministrado con el quemador y dos suministrados con la rampa) en los puntos **A**, **P_f** y **P_I**.
- Fijar el racor de M12 en el punto **B**.
- Cortar en partes iguales el tubo suministrado con el quemador.
- Conectar el conector de la caldera **A** con el conector de la válvula **P_f**, el conector del manguito **B** con el conector de la válvula **P_I**, con los tubos que se cortaron anteriormente.



4. CABLEADO ELÉCTRICO

4.1 INSTALACIÓN ELÉCTRICA, (realizada en fábrica)



ATENCIÓN:

- **No intercambiar el neutro con la fase; respetar exactamente el esquema indicado y efectuar una buena conexión de tierra.**
- La sección de los conductores debe ser de mín. 1 mm². (Salvo indicaciones diferentes de normas y leyes locales).
- Las conexiones eléctricas efectuadas por el instalador deben respetar la normativa vigente en el país.

PRUEBA

Compruebe la parada del quemador abriendo los termostatos y el bloqueo abriendo el conector (CN3) introducido en el cable rojo de la sonda, situado en el exterior de la caja de control.

NOTAS:

Los quemadores han sido homologados para un funcionamiento intermitente. Esto significa que se deben parar al menos 1 vez cada 24 horas para permitir que la caja de control compruebe su propia eficacia en el arranque. Normalmente la detención del quemador está asegurada por el termostato límite (TL) de la caldera. Si no fuera así, hay que aplicar en serie a (TL) un interruptor horario que efectúe la detención del quemador al menos una vez cada 24 horas.

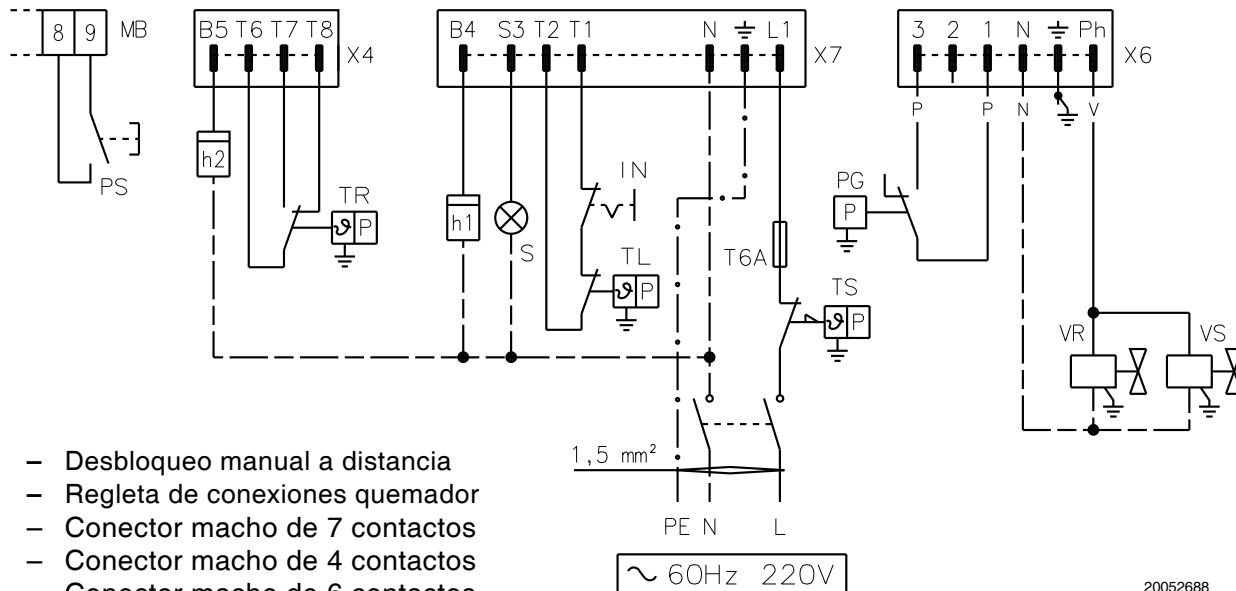
- XP7** – Conector hembra de 7 contactos
- XP4** – Conector hembra de 4 contactos
- XP6** – Conector hembra de 6 contactos
- MB** – Regleta de conexión auxiliar
- S1** – Interruptor para funcionamiento:
MAN = manual
AUT = automático
OFF = apagado
- S2** – Botón para:
 – = disminución potencia
 + = aumento potencia
- TB** – Quemador tierra
- SO** – Sonda de ionización
- CN...** – Conectores
- TA** – Transformador de encendido
- PA** – Presóstato aire de mínima
- PAM** – Presóstato aire de máxima
- C** – Condensador motor
- SM** – Servomotor

4.2 CONEXIONES ELÉCTRICAS (a cargo del instalador)

ATENCIÓN

Si la caldera está dotada de un conector macho de 7 contactos, es indispensable sustituirla por la que ha sido suministrada en dotación con el quemador.

SIN REGULADOR DE POTENCIA (funcionamiento biestadio progresivo)



- PS** - Desbloqueo manual a distancia
- MB** - Regleta de conexiones quemador
- X7** - Conector macho de 7 contactos
- X4** - Conector macho de 4 contactos
- X6** - Conector macho de 6 contactos
- h2** - Cuentahoras de 2ª llama
- TR** - Termostato alta/baja llama
- h1** - Cuentahoras de 1ª llama
- S** - Señal bloqueo remoto
- IN** - Interruptor manual
- TL** - Termostato límite
- T6A** - Fusible

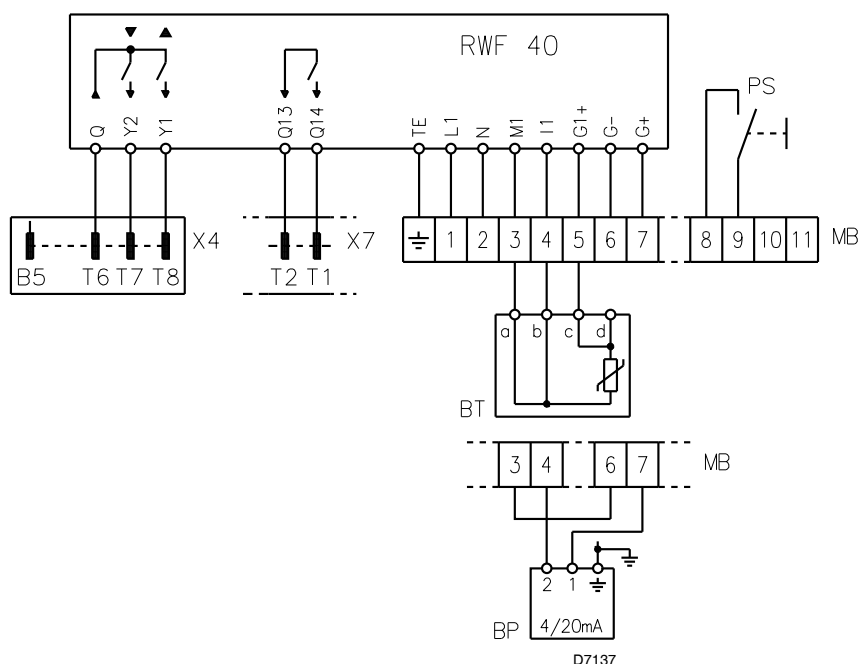
- TS** - Termostato de seguridad
- PG** - Presóstato gas de mínima
- VR** - Electroválvula de regulación
- VS** - Electroválvula de seguridad

20052688

CON REGULADOR DE POTENCIA (funcionamiento modulante)

ATENCIÓN

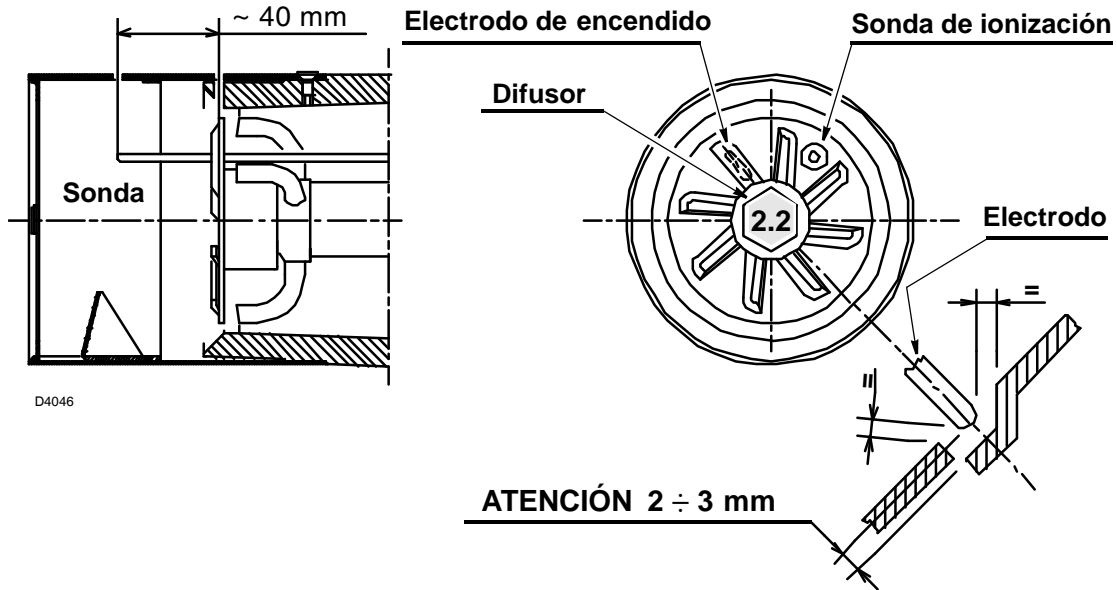
No realice ningún contacto entre **T6** y **T8** del conector macho de 4 contactos ni entre **T1** y **T2** del conector macho de 7 contactos para evitar interferencias con el regulador.



- PS** - Desbloqueo manual a distancia
- MB** - Regleta de conexión del quemador
- X4** - Conector macho de 4 contactos
- X7** - Conector macho de 7 contactos
- BT** - Sonda de temperatura
- BP** - Sonda de presión

D7137

4.3 COLOCACIÓN Sonda ELECTRODO



5. REGULACIONES DEL QUEMADOR

5.1 REGULACIÓN CABEZAL

Sale de fábrica calibrada para una potencia media y tendrá que ser regulada en función de la potencia térmica requerida por la caldera:

Afloje el tornillo (A), retire el codo (B) de modo que el plano posterior del collarín (C) coincida con la muesca deseada.

Apriete el tornillo (A).

Ejemplo:

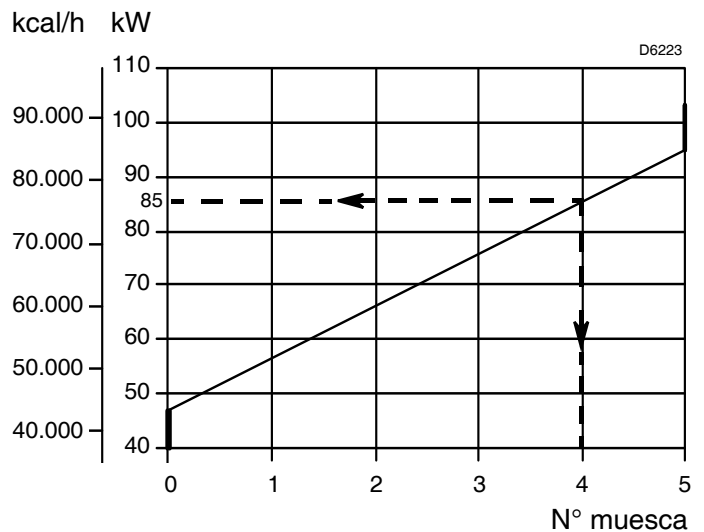
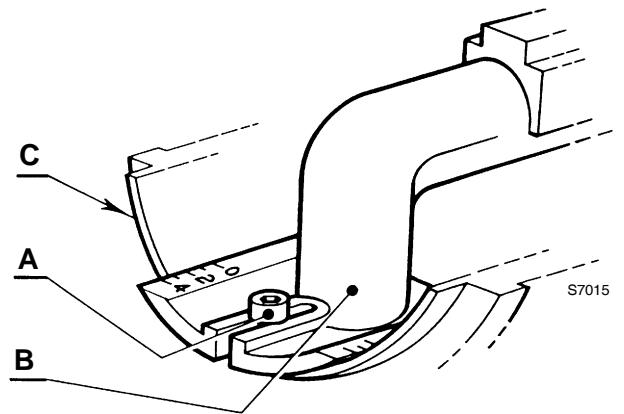
El quemador está instalado en una caldera de 77 kW.

Considerando un rendimiento del 90% el quemador deberá erogar aproximadamente 85 kW.

Del diagrama se desprende que para este rendimiento la regulación se efectúa en la muesca 4.

NOTA

El diagrama es sólo indicativo; para garantizar las mejores prestaciones del quemador se aconseja regular el portaboquilla en función de las exigencias requeridas por el tipo de caldera.



5.2 REGULACIÓN SERVOMOTOR REGISTRO DE AIRE (ver fig. 2)

PAUSA

LEVA II (Azul)

La **LEVA II** asegura el cierre del registro de aire cuando el quemador está parado. Se regula en fábrica a 0°. **NO MODIFICAR.**

PRIMER ESTADIO

LEVA III (Naranja)

La **LEVA III** regula la posición del registro de aire cuando el quemador está a la mínima potencia. Puede ser regulada durante la puesta en funcionamiento.

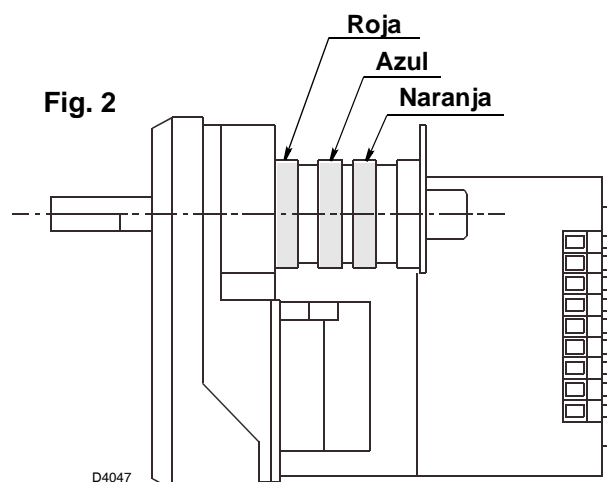
SEGUNDO ESTADIO

LEVA I (Roja)

La **LEVA I** regula la potencia del registro de aire cuando el quemador trabaja a la máxima potencia. Se regula en fábrica a 90°. **NO AUMENTE LA APERTURA.**

NOTA

El servomotor está dotado de dos tornillos micrométricos para una fina regulación de la **LEVA II (Azul)** y **LEVA III (Naranja)**.



5.3 PRIMER ENCENDIDO

Después de haber controlado las conexiones eléctricas y el estado de las conexiones hidráulicas, sitúe los presóstatos de mínima, del gas y del aire, en su valor mínimo; el presóstato de máxima del aire se regula inicialmente al valor máximo. Su regulación se realizará sucesivamente.

Conecte el manómetro de presión de gas al collarín del quemador.

1) La siguiente tabla indica como referencia:

- la potencia máxima que requiere la aplicación;
- la potencia mínima que puede obtenerse;
- los valores de referencia de presión del gas medidos en el cabezal de combustión, con la variación de la potencia quemada;
- la posición de precalibrado del registro de aire.

Potencia térmica	Potencia mín.	Presión del gas en el cabezal de combustión	Regulación del registro de aire
kW	kW	mbares (●)	Muesca N°
42	22	1,4	4
60	26	2,4	5
81	30	3,2	6
106	35	3,7	8

(●) Con la referencia de una cámara de combustión con presión cero a la máxima potencia.

- 2) En función de la potencia máxima requerida, regule el cabezal de combustión y el registro de aire como muestra la tabla de la página 10.
- 3) Seleccione el modo manual (**MAN**) de funcionamiento y encienda el quemador.
- 4) Cuando se produzca el encendido, apriete el interruptor (+) y lleve lentamente el servomotor a la máxima apertura, controlando la presión del gas en el cabezal de combustión.
- 5) Controle el consumo de gas en segunda llama. Para regular el caudal de gas, utilice los tornillos **V** y **N** (sobre todo el **V**) del grupo válvulas. Aumentando la regulación tanto de **V** como de **N**, aumenta el flujo de gas.
- 6) Utilice el registro de aire manual para regular el aire, controlando los valores de CO_2 en los humos. Si la regulación del aire modifica el flujo de gas, calibre de nuevo el tornillo **V**.
- 7) Lleve manualmente el servomotor hacia la posición de primera llama apretando el interruptor (-). Controle la combustión y use, si es necesario, sólo el tornillo **N** para obtener valores correctos de CO_2 en los humos.
- 8) Si la potencia de primera llama se tiene que modificar, use la LEVA III (naranja). Todas las modificaciones del tornillo **N** harán también que varíe el caudal máximo de gas.
- 9) Lleve de nuevo el servomotor a la máxima apertura y controle otra vez la potencia máxima actuando sobre el tornillo **V**.
- 10) Coloque otra vez el servomotor en la posición de primera llama y regule de nuevo la potencia usando sólo el tornillo **N**.
- 11) Repita las operaciones (9) y (10) dos o tres veces hasta que no sean necesarios más ajustes de los tornillos **V** y **N**.
- 12) Al final, seleccione el funcionamiento automático apretando el selector (**AUT**).

5.4 CONTROL DE LA COMBUSTIÓN

De conformidad con la Directiva sobre Rendimiento 92/42/CEE, la aplicación del quemador a la caldera, la regulación y la prueba deben realizarse siguiendo las indicaciones contenidas en el Manual de Instrucciones de la caldera, incluyendo el control de la concentración de CO y CO_2 en los gases de combustión, su temperatura y la temperatura media del agua de la caldera.

Es aconsejable regular el quemador, dependiendo del tipo de gas utilizado, según las indicaciones de la siguiente tabla:

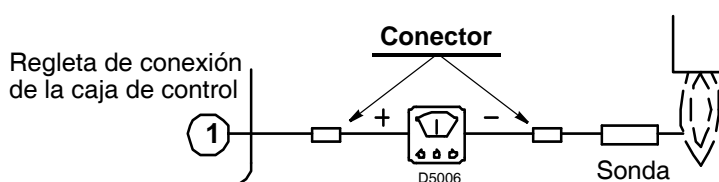
EN 676		EXCESO DE AIRE: potencia máx. $\lambda \leq 1,2$ – potencia mín. $\lambda \leq 1,3$			
GAS	CO ₂ máx. teórico 0 % O ₂	Regulación		CO mg/kWh	NO _x mg/kWh
		$\lambda = 1,2$	$\lambda = 1,3$		
G 20	11,7	9,7	9,0	≤ 100	≤ 170
G 30	14,0	11,6	10,7	≤ 100	≤ 230
G 31	13,7	11,4	10,5	≤ 100	≤ 230

CORRIENTE DE IONIZACIÓN

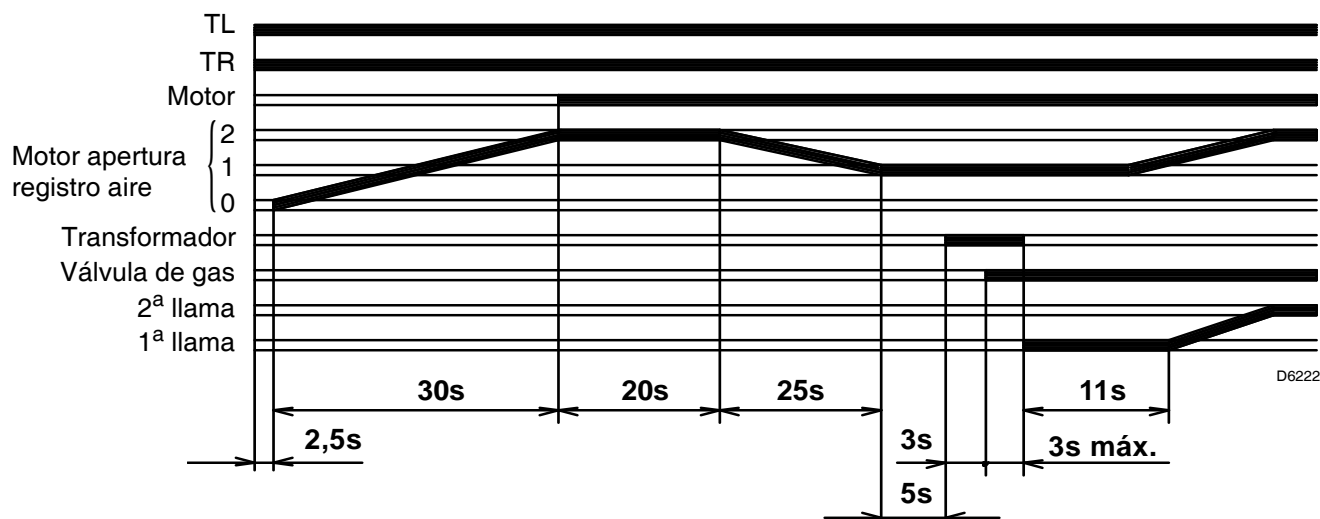
La corriente mínima para que la caja de control funcione es de 2 μA .

El quemador da una corriente netamente superior, de tal modo que normalmente no necesita ningún control.

Si de todas formas se quiere medir la corriente de ionización es necesario abrir el conector (**CN3**) (ver esquema eléctrico página 7) introducido en el hilo rojo e introducir un microamperímetro.



5.5 PROGRAMA DE ARRANQUE



5.6 PRESÓSTATO AIRE DE MÍNIMA

Realizar la regulación del presóstatato de aire después de haber efectuado todas las otras regulaciones del quemador con el presóstatato de aire regulado a inicio escala. Con el quemador funcionando a la mínima potencia, gire el botón esférico en el sentido de las agujas del reloj hasta el bloqueo del quemador. Gire después el botón esférico en el sentido contrario al de las agujas de reloj hasta un valor igual a aproximadamente el 20% del valor regulado y controlar a continuación el correcto arranque del quemador. Si el quemador se bloquea de nuevo, gire todavía un poco más el botón en el sentido contrario al de las agujas del reloj.

5.7 PRESÓSTATO AIRE DE MÁXIMA

El presóstatato de máxima debe regularse después de haber hecho todas las otras regulaciones. Su objetivo es el de bloquear el quemador si la presión en la cámara de combustión aumentara más allá del valor normal. Con el quemador funcionando a la máxima potencia, desde el valor máximo inicial, disminuir el valor de calibrado, girando el disco de regulación en el sentido contrario al de las agujas del reloj hasta que el quemador se bloquee. Aumente en una muesca y restablezca el funcionamiento del quemador; si el quemador se bloquea al encenderse a causa de la onda de presión generada en la cámara de combustión, controle que el gas de encendido sea menos del 25% del total; si se respeta esta condición, aumente aún en media muesca el valor de calibrado del presóstatato y repita la prueba.

NOTA:

De acuerdo con la norma Pr EN 1020, el valor de CO no debe superar el 0.1% en las condiciones de funcionamiento normales.

Atención:

Como norma, el presóstatato de aire debe impedir que la presión del aire baje debajo del 80% del valor de regulación y que el CO en los humos supere el 1% (10.000 ppm).

Para asegurarse de esto, introduzca en la chimenea un analizador de la combustión, cierre lentamente la boca de aspiración del ventilador (con un cartón, por ejemplo) y controle que el quemador efectivamente se bloquea antes de que el CO en los humos supere el 1%.

6. MANTENIMIENTO

El quemador necesita un mantenimiento periódico, que debe realizar personal especializado **y de acuerdo con las leyes y normativas locales.**

El mantenimiento es esencial para el buen funcionamiento del quemador, evitando de esta manera consumos excesivos de combustibles y reduciendo por tanto las emisiones contaminantes en el ambiente.

Antes de realizar cualquier operación de limpieza o control, apague la alimentación eléctrica del quemador utilizando el interruptor principal del sistema.

LAS OPERACIONES ESENCIALES A EFECTUAR SON:

Deje funcionar el quemador al máximo régimen durante aproximadamente 10 minutos y regule correctamente todos los elementos indicados en el presente manual. **Efectúe después un análisis de la combustión controlando:**

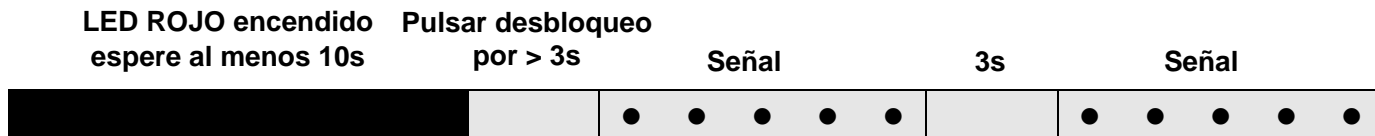
- Contenido del porcentaje de CO₂
- Contenido de CO (ppm)
- Temperatura de los humos en la chimenea.

7. ANOMALÍAS / SOLUCIONES

La caja de control tiene su propia función diagnóstica mediante la que es posible detectar fácilmente las posibles causas de mal funcionamiento.

Para utilizar tal función hay que esperar al menos 10 segundos desde el instante de bloqueo de la caja de control y apretar el botón de desbloqueo durante un tiempo mínimo de tres segundos.

Después de haber soltado el botón, el LED ROJO comenzará a parpadear, como ilustra la siguiente tabla.



Los impulsos del LED aparecen con intervalos de aproximadamente 3 segundos.

El número de los impulsos dará las informaciones sobre las posibles averías según la siguiente leyenda:

SEÑAL	POSIBLE CAUSA
2 ● ●	No se detecta ninguna señal estable de llama en el tiempo de seguridad: – avería en la sonda de ionización; – avería en la válvula del gas; – inversión fase/neutro; – quemador no regulado.
3 ● ● ●	El presóstato aire de mínima no cierra: – avería en el presóstato aire; – presóstato aire no regulado; – el motor de la turbina no funciona; – intervención del presóstato aire de máxima.
4 ● ● ● ●	Luz presente en la cámara durante la ventilación o bien avería en la caja de control.
5 ● ● ● ● ●	El presóstato aire de mínima no conmuta: – avería en el presóstato aire; – presóstato aire no regulado.
7 ● ● ● ● ● ● ●	Desaparición de la llama durante el funcionamiento: – quemador no regulado; – avería en la válvula del gas; – cortocircuito entre la sonda de ionización y la tierra.
10 ● ● ● ● ● ● ● ● ● ●	Caja de control averiada.



En caso de parada del quemador, para evitar daños en la instalación, no desbloquear el quemador más de dos veces seguidas. Si el quemador se bloquea por tercera vez, contactar con el servicio de asistencia.



Si se produjeran otros bloqueos o anomalías en el quemador, las intervenciones deben ser realizadas únicamente por personal habilitado y autorizado, de acuerdo a lo indicado en este manual y en conformidad con las normas y disposiciones de ley vigentes.

RIELLO

RIELLO S.p.A.
I-37045 Legnago (VR)
Tel.: +39.0442.630111
[http:// www.riello.it](http://www.riello.it)
[http:// www.rielloburners.com](http://www.rielloburners.com)