

**GB** **Forced draught gas burners**

Modulating operation



CODE	MODEL	TYPE
20074274 - 20074275	RS 310/EV MZ FS1/FS2	1142T2
20074276 - 20074277	RS 410/EV MZ FS1/FS2	1143T2
20074278	RS 510/EV MZ FS1/FS2	1144T2
20074279	RS 610/EV MZ FS1/FS2	1145T2



**Translation of the original instructions**

<b>1</b>	<b>Declarations</b>	<b>3</b>
<b>2</b>	<b>Information and general warnings</b>	<b>4</b>
2.1	Information about the instruction manual	4
2.1.1	Introduction	4
2.1.2	General dangers	4
2.1.3	Other symbols	4
2.1.4	Delivery of the system and the instruction manual	5
2.2	Guarantee and responsibility	5
<b>3</b>	<b>Safety and prevention</b>	<b>6</b>
3.1	Introduction	6
3.2	Personnel training	6
<b>4</b>	<b>Technical description of the burner</b>	<b>7</b>
4.1	Burner designation	7
4.2	Models available	8
4.3	Burner categories - Countries of destination	8
4.4	Technical data	9
4.5	Electrical data	9
4.6	Burner weight	10
4.7	Maximum dimensions	10
4.8	Firing rates	11
4.9	Test boiler	12
4.10	Burner equipment	12
4.11	Burner description	13
4.12	Electrical panel description	14
4.13	Control box for the air/fuel ratio (REC37...)	15
4.14	Operation sequence of the burner	17
4.14.1	List of phases	18
4.15	Operator panel operation	18
4.15.1	Description of the symbols on the display	18
4.15.2	Description of the buttons	19
4.16	Servomotor (SQM33...)	20
<b>5</b>	<b>Installation</b>	<b>21</b>
5.1	Notes on safety for the installation	21
5.2	Handling	21
5.3	Preliminary checks	21
5.4	Operating position	22
5.5	Preparing the boiler	22
5.5.1	Boring the boiler plate	22
5.5.2	Blast tube length	22
5.6	Securing the burner to the boiler	22
5.7	Access to head internal part	23
5.8	Probe-electrode position	23
5.9	Gas butterfly valve	24
5.10	Combustion head adjustment	24
5.11	Gas pressures	26
5.11.1	Gas feeding line	26
5.11.2	Gas train	27
5.11.3	Gas train installation	27
5.11.4	Gas pressure	28
5.12	Electrical wiring	29
5.12.1	Supply cables and external connections passage	30

<b>6</b>	<b>Start-up, calibration and operation of the burner .....</b>	<b>31</b>
6.1	Notes on safety for the first start-up .....	31
6.2	Adjustments prior to ignition.....	31
6.3	Start-up procedure .....	31
6.4	Air / fuel adjustment .....	32
6.4.1	Air adjustment for maximum output .....	32
6.4.2	Air/fuel adjustment and output modulation system .....	32
6.4.3	Burner adjustment.....	32
6.4.4	Output upon ignition.....	32
6.4.5	Maximum output .....	32
6.4.6	Minimum output .....	32
6.5	Final adjustment of the pressure switches.....	33
6.5.1	Air pressure switch.....	33
6.6	Pressure switch adjustment .....	34
6.6.1	Maximum gas pressure switch.....	34
6.6.2	Minimum gas pressure switch.....	34
6.6.3	PVP pressure switch kit .....	34
6.7	Visualisation and programming mode.....	35
6.7.1	Normal mode .....	35
6.7.2	Info mode.....	36
6.7.3	Service mode .....	37
6.7.4	Parameters Mode .....	37
6.8	Parameter modification procedure.....	38
6.8.1	Modify "acceleration- deceleration train" parameter .....	40
6.8.2	Modify the parameter for continuous/intermittent operation (FS2/FS1) .....	40
6.9	Start-up procedure .....	41
6.10	Backup / Restore procedure .....	43
6.10.1	Backup .....	43
6.10.2	Restore .....	44
6.10.3	List of parameters .....	46
6.11	Operation .....	50
6.12	Ignition failure.....	50
6.13	Burner flame goes out during operation.....	51
6.14	Stopping of the burner .....	51
6.15	Final checks (with burner operating).....	51
<b>7</b>	<b>Maintenance .....</b>	<b>52</b>
7.1	Notes on safety for the maintenance .....	52
7.2	Maintenance programme .....	52
7.2.1	Maintenance frequency.....	52
7.2.2	Checking and cleaning.....	52
7.2.3	Safety components .....	53
7.2.4	Measuring the ionisation current.....	53
7.2.5	Checking the air and gas pressure on the combustion head.....	53
7.3	Checking the position of the rpm sensor.....	54
7.4	Opening the burner .....	54
7.5	Closing the burner.....	54
<b>8</b>	<b>Faults - Possible causes - Solutions.....</b>	<b>55</b>
8.1	List of error codes .....	55
<b>A</b>	<b>Appendix - Accessories .....</b>	<b>64</b>
<b>B</b>	<b>Appendix - Electrical panel layout.....</b>	<b>66</b>

**1** Declarations

**Declaration of Conformity in accordance with ISO / IEC 17050-1**

Manufacturer:	RIELLO S.p.A.		
Address:	Via Pilade Riello, 7 37045 Legnago (VR)		
Product:	Forced draught gas burners		
Model and type:	RS 310/EV MZ	1142T2	
	RS 410/EV MZ	1143T2	
	RS 510/EV MZ	1144T2	
	RS 610/EV MZ	1145T2	
These products are in compliance with the following Technical Standards:			
EN 676			
EN 12100			
and according to the European Directives:			
<b>GAD</b>	2009/142/EC		Gas Devices Directive
<b>MD</b>	2006/42/EC		Machine Directive
<b>LVD</b>	2006/95/EC		Low Voltage Directive
<b>EMC</b>	2004/108/EC		Electromagnetic Compatibility
The products are marked as follows:			
0085	In progress	RS 310/EV MZ	(Class 2 EN 676)
	In progress	RS 410/EV MZ	(Class 2 EN 676)
	In progress	RS 510/EV MZ	(Class 2 EN 676)
	In progress	RS 610/EV MZ	(Class 2 EN 676)

The quality is guaranteed by a quality and management system certified in accordance with UNI EN ISO 9001.

**Manufacturer's Declaration**

RIELLO S.p.A. declares that the following products comply with the NOx emission limits specified by German standard "1. BImSchV revision 26.01.2010".

Product	Model	Type	Output
Forced draught gas burners	RS 310/EV MZ	1142T2	600 - 3900 kW
	RS 410/EV MZ	1143T2	800 - 4900 kW
	RS 510/EV MZ	1144T2	802 - 5520 kW
	RS 610/EV MZ	1145T2	820 - 6300 kW

Legnago, 03.09.2014

General Manager  
RIELLO S.p.A. - Burners Department  
Ing. U. Ferretti

Research and Development Director  
RIELLO S.p.A. - Burners Department  
Ing. R. Cattaneo

**2 Information and general warnings**

**2.1 Information about the instruction manual**

**2.1.1 Introduction**

The instruction manual supplied with the burner:

- is an integral and essential part of the product and must not be separated from it; it must therefore be kept carefully for any necessary consultation and must accompany the burner even if it is transferred to another owner or user, or to another system. If the manual is lost or damaged, another copy must be requested from the Technical Assistance Service of the area;
- is designed for use by qualified personnel;
- offers important indications and instructions relating to the installation safety, start-up, use and maintenance of the burner.

**Symbols used in the manual**

In some parts of the manual you will see triangular DANGER signs. Pay great attention to these, as they indicate a situation of potential danger.

**2.1.2 General dangers**

The **dangers** can be of **3 levels**, as indicated below.



**Maximum danger level!**  
This symbol indicates operations which, if not carried out correctly, cause serious injury, death or long-term health risks.



This symbol indicates operations which, if not carried out correctly, may cause serious injury, death or long-term health risks.



This symbol indicates operations which, if not carried out correctly, may cause damage to the machine and/or injury to people.

**2.1.3 Other symbols**



**DANGER: LIVE COMPONENTS**  
This symbol indicates operations which, if not carried out correctly, lead to electric shocks with lethal consequences.



**DANGER: FLAMMABLE MATERIAL**  
This symbol indicates the presence of flammable materials.



**DANGER: BURNING**  
This symbol indicates the risks of burns due to high temperatures.



**DANGER: CRUSHING OF LIMBS**  
This symbol indicates the presence of moving parts: danger of crushing of limbs.



**WARNING: MOVING PARTS**  
This symbol indicates that you must keep limbs away from moving mechanical parts; danger of crushing.



**DANGER: EXPLOSION**

This symbol signals places where an explosive atmosphere may be present. An explosive atmosphere is defined as a mixture - under atmospheric conditions - of air and flammable substances in the form of gases, vapours, mist or dust in which, after ignition has occurred, combustion spreads to the entire unburned mixture.



**PERSONAL PROTECTION EQUIPMENT**

These symbols indicate the equipment that must be worn and kept by the operator for protection against threats against safety and/or health while at work.



**OBLIGATION TO ASSEMBLE THE COVER AND ALL THE SAFETY AND PROTECTION DEVICES**

This symbol signals the obligation to reassemble the cover and all the safety and protection devices of the burner after any maintenance, cleaning or checking operations.



**ENVIRONMENTAL PROTECTION**

This symbol gives indications for the use of the machine with respect for the environment.



**IMPORTANT INFORMATION**

This symbol indicates important information that you must bear in mind.



**IMPORTANT**

This symbol indicates important information that you must bear in mind.



This symbol indicates a list.

**Abbreviations used**

Ch.	Chapter
Fig.	Figure
Page	Page
Sec.	Section
Tab.	Table

**2.1.4 Delivery of the system and the instruction manual**

When the system is delivered, it is important that:

- the instruction manual is delivered to the user by the system manufacturer, with the recommendation to keep it in the room where the heat generator is to be installed.
- The instruction manual shows:
  - the serial number of the burner;

.....

- the address and telephone number of the nearest Assistance Centre

.....  
 .....  
 .....

- The system supplier must carefully inform the user about:
  - the use of the system;
  - any further tests that may be required before activating the system;
  - maintenance, and the need to have the system checked at least once a year by a representative of the manufacturer or another specialised technician.
 To ensure a periodic check, the manufacturer recommends the drawing up of a Maintenance Contract.

**2.2 Guarantee and responsibility**

The manufacturer guarantees its new products from the date of installation, in accordance with the regulations in force and/or the sales contract. At the moment of the first start-up, check that the burner is integral and complete.



**WARNING**

Failure to observe the information given in this manual, operating negligence, incorrect installation and carrying out of non authorised modifications will result in the annulment by the manufacturer of the guarantee that it supplies with the burner.

In particular, the rights to the guarantee and the responsibility will no longer be valid, in the event of damage to things or injury to people, if such damage/injury was due to any of the following causes:

- incorrect installation, start-up, use and maintenance of the burner;
- improper, incorrect or unreasonable use of the burner;
- intervention of unqualified personnel;
- carrying out of unauthorised modifications on the equipment;
- use of the burner with safety devices that are faulty, incorrectly applied and/or not working;
- installation of untested supplementary components on the burner;
- powering of the burner with unsuitable fuels;
- faults in the fuel supply system;
- continuation of use of the burner when a fault has occurred;
- repairs and/or overhauls incorrectly carried out;
- modification of the combustion chamber with inserts that prevent the regular development of the structurally established flame;
- insufficient and inappropriate surveillance and care of those burner components most likely to be subject to wear and tear;
- use of non-original components, including spare parts, kits, accessories and optional;
- force majeure.

**The manufacturer furthermore declines any and every responsibility for the failure to observe the contents of this manual.**

## 3 Safety and prevention

### 3.1 Introduction

The burners have been designed and built in compliance with current regulations and directives, applying the known technical rules of safety and envisaging all the potential danger situations.

It is necessary, however, to bear in mind that the imprudent and clumsy use of the equipment may lead to situations of death risk for the user or third parties, as well as the damaging of the burner or other items. Inattention, thoughtlessness and excessive confidence often cause accidents; the same applies to tiredness and sleepiness.

It is a good idea to remember the following:

- The burner must only be used as expressly described. Any other use should be considered improper and therefore dangerous.

In particular:

it can be applied to boilers operating with water, steam, diathermic oil, and to other uses expressly foreseen by the manufacturer;

the type and pressure of the fuel, the voltage and frequency of the electrical power supply, the minimum and maximum deliveries for which the burner has been regulated, the pressurisation of the combustion chamber, the dimensions of the combustion chamber and the room temperature must all be within the values indicated in the instruction manual.

- Modification of the burner to alter its performance and destinations is not allowed.
- The burner must be used in exemplary technical safety conditions. Any disturbances that could compromise safety must be quickly eliminated.
- Opening or tampering with the burner components is not allowed, apart from the parts requiring maintenance.
- Only those parts envisaged by the manufacturer can be replaced.



The manufacturer guarantees safety and proper functioning only if all burner components are intact and positioned correctly.

### 3.2 Personnel training

The user is the person, body or company that has acquired the machine and intends to use it for the specific purpose. He is responsible for the machine and for the training of the people working around it.

The user:

- undertakes to entrust the machine exclusively to suitably trained and qualified personnel;
- undertakes to inform his personnel in a suitable way about the application and observance of the safety instructions. With that aim, the user undertakes to ensure that everyone knows the use and safety instructions for his own duties;
- Personnel must follow all the danger and caution indications shown on the machine.
- Personnel must not carry out, on their own initiative, operations or interventions that are not within their province.
- Personnel are obliged to inform their superiors of every problem or dangerous situation that may arise.
- The assembly of parts of other makes, or any modifications, can alter the characteristics of the machine and hence compromise operating safety. The manufacturing company therefore accepts no responsibility whatsoever for any which may result from the use of non-original parts.

In addition:

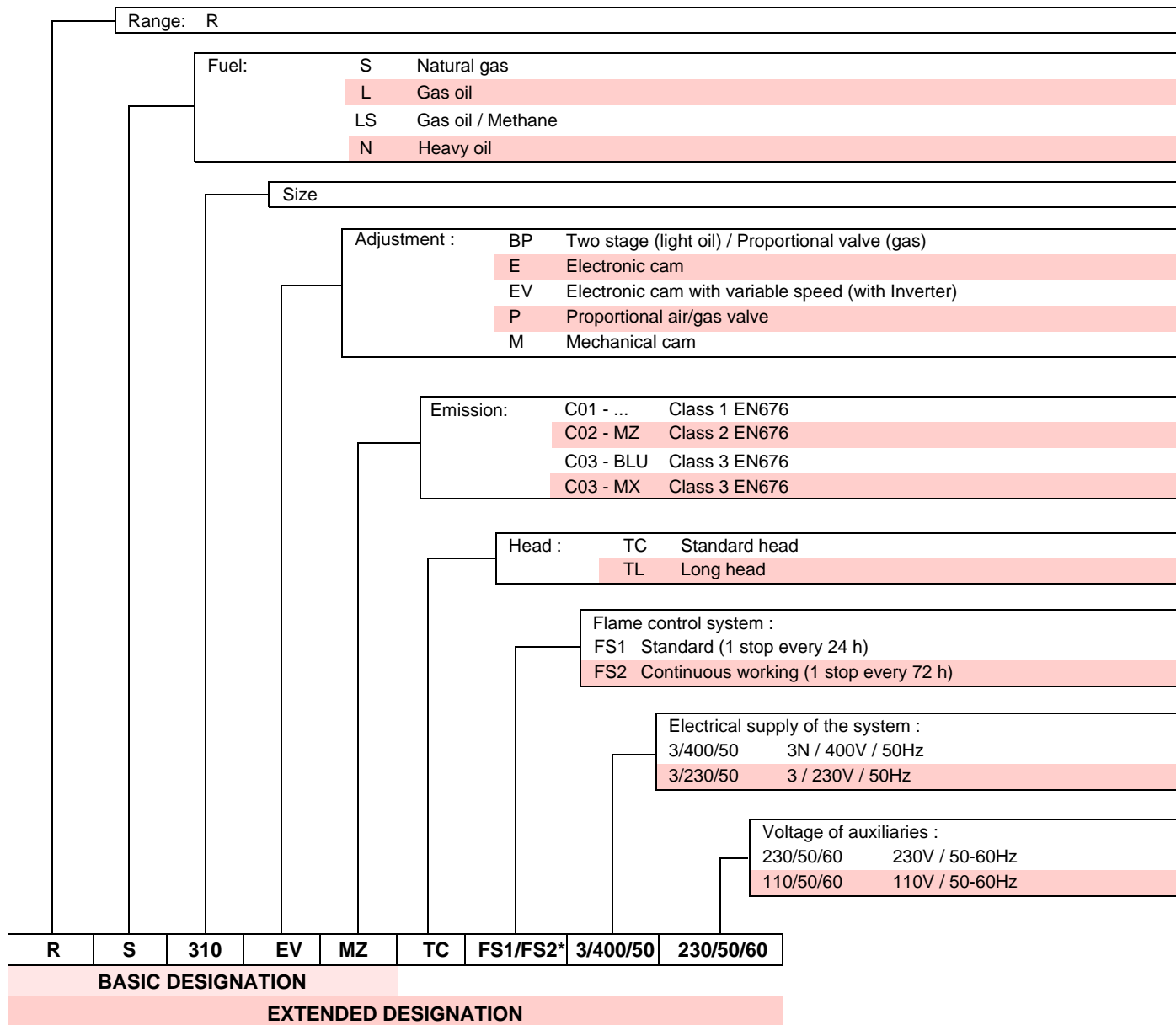


- must take all the measures necessary to prevent unauthorised people gaining access to the machine;
- the user must inform the manufacturer if faults or malfunctioning of the accident prevention systems are noticed, along with any presumed danger situation;
- personnel must always use the personal protective equipment envisaged by legislation and follow the indications given in this manual.



## 4 Technical description of the burner

### 4.1 Burner designation



\*The burner leaves the factory set up for FS1 operation. If FS2 operation is required, see section "Modify the parameter for continuous/intermittent operation (FS2/FS1)" on page 40.

**4.2 Models available**

Designation	Voltage	Start-up	Code
RS 310/EV MZ FS1/FS2	3/230/50	Inverter	20074274
	3/400/50	Inverter	20074275
RS 410/EV MZ FS1/FS2	3/230/50	Inverter	20074276
	3/400/50	Inverter	20074277
RS 510/EV MZ FS1/FS2	3/400/50	Inverter	20074278
RS 610/EV MZ FS1/FS2	3/400/50	Inverter	20074279

**Tab. A**
**4.3 Burner categories - Countries of destination**

Gas category	Destination country
I <sub>2H</sub>	SE - FI - AT - GR - DK - ES - GB - IT - IE - PT - IS - CH - NO
I <sub>2ELL</sub>	DE
I <sub>2L</sub>	NL
I <sub>2Er</sub>	FR
I <sub>2E(R)B</sub>	BE
I <sub>2E</sub>	LU - PL

**Tab. B**

## 4.4 Technical data

Model			RS 310/EV MZ	RS 410/EV MZ	RS 510/EV MZ	RS 610/EV MZ
Type (FS1/FS2*)			1142T2	1143T2	1144T2	1145T2
Power <sup>(1)</sup> Delivery <sup>(1)</sup>	min - max	kW	600/1300 - 3900	800/2000 - 4900	802/2200 - 5520	820/2400 - 6300
Fuels			Natural gas: G20 (methane gas) - G21 - G22 - G23 - G25			
Gas pressure at max. output <sup>(2)</sup> Gas: G20/G25		mbar	33,2/49,5	41,6/62	48,9/73	64,6/96,4
Operation			FS1: Intermittent (min. 1 stop in 24 hours) - FS2: Continuous (min. 1 stop in 72 hours)			
Standard applications			Boilers: water, steam, diathermic oil			
Ambient temperature		°C	0 - 50			
Combustion air temperature		°C max	60			
Noise levels <sup>(3)</sup>	Sound pressure	dB(A)	78	80	82,5	85
	Sound power		89	91	93,5	96

**Tab. C**

- (1) Reference conditions: Ambient temperature 20°C - Gas temperature 15°C - Barometric pressure 1013 mbar - Altitude 0 m a.s.l.  
 (2) Pressure at the test point of the pressure switch 5)(Fig. 5) with zero pressure in the combustion chamber and at maximum burner output.  
 (3) Sound pressure measured in manufacturer's combustion laboratory, with burner operating on test boiler and at maximum rated output. The sound power is evaluated, in line with the regulations, on a spherical surface centred on the burner and with a radius of 1 metre.

## 4.5 Electrical data

Model		RS 310/EV MZ	RS 410/EV MZ	RS 310/EV MZ	RS 410/EV MZ
Type (FS1/FS2*)		1142T2	1143T2	1142T2	1143T2
Main electrical supply		3 ~ 230V +/-10% 50 Hz		3N ~ 400V +/-10% 50 Hz	
Fan motor IE2	rpm	2900	2920	2900	2920
	V	230/400	230/400	230/400	230/400
	kW	7.5	9.2	7.5	9.2
	A	23.9 - 13.8	29.3 - 16.9	23.9 - 13.8	29.3 - 16.9
Ignition transformer	V1 - V2 I1 - I2	230V - 1 x 8 kV 1A - 20mA			
Absorbed electrical power	kW max	9.1	10.8	9.1	10.8
Protection level		IP 54			

Model		RS 510/EV MZ	RS 610/EV MZ
Type (FS1/FS2*)		1144T2	1145T2
Main electrical supply		3N ~ 400V +/-10% 50 Hz	
Fan motor IE2	rpm	2880	2920
	V	400/690	380/660
	kW	12	15
	A	21.2 - 12.2	29.5 - 17
Ignition transformer	V1 - V2 I1 - I2	230V - 1 x 8 kV 1A - 20mA	
Absorbed electrical power	kW max	14	17
Protection level		IP 54	

**Tab. D**



\*The burner leaves the factory set up for FS1 operation. If FS2 operation is required, see section "Modify the parameter for continuous/intermittent operation (FS2/FS1)" on page 40.

**4.6 Burner weight**

The weight of the burner complete with its packaging is shown in Tab. E.

Model	kg
RS 310/EV MZ	250
RS 410/EV MZ	250
RS 510/EV MZ	250
RS 610/EV MZ	280

Tab. E

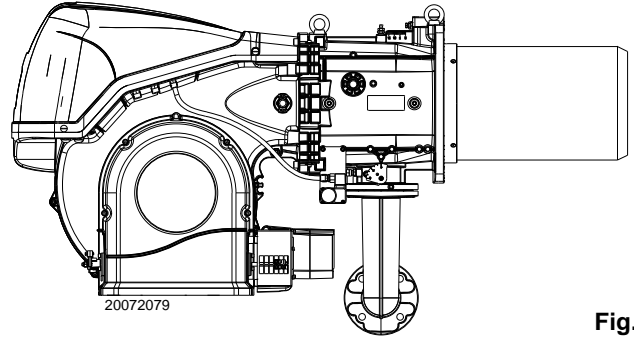


Fig. 1

**4.7 Maximum dimensions**

The maximum dimensions of the burner are given in Fig. 2.

Bear in mind that inspection of the combustion head requires the burner to be opened and the rear part turned on the hinge.

The maximum dimensions of the open burner are indicated by the L and R positions.

The I position is reference for the refractory thickness of the boiler door.



\* The gas adaptor is set also for DN 80 bore.

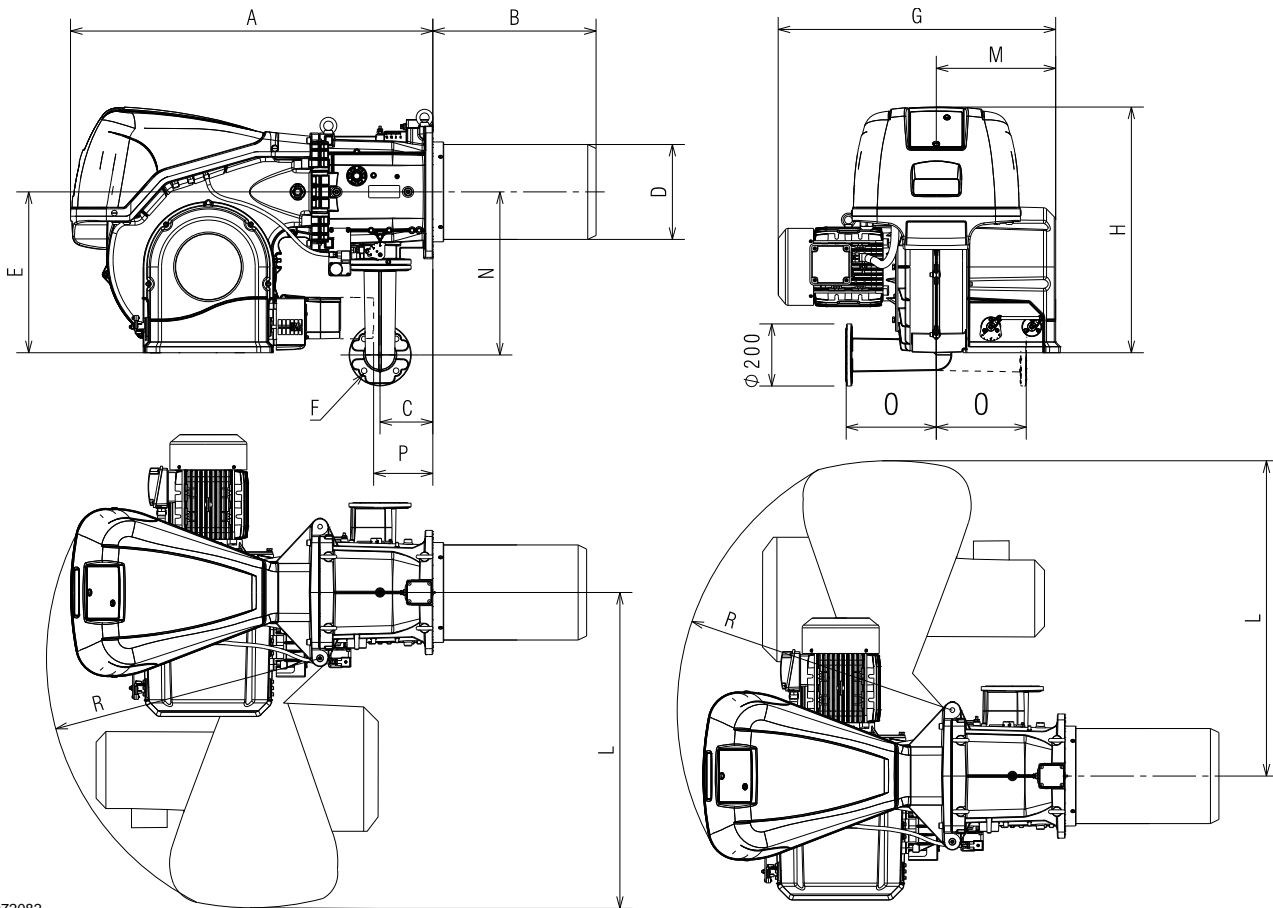


Fig. 2

20072082

mm	A	B	C	D	E	F*	G	H	I**	L	M	N	O	R
RS 310/EV MZ	1178	519	178	306	520	DN65	890	790	177	1015	400	528	290	890
RS 410/EV MZ	1178	519	178	306	520	DN65	908	790	177	1015	400	528	290	890
RS 510/EV MZ	1178	519	178	306	520	DN65	908	790	177	1015	400	528	290	890
RS 610/EV MZ	1178	500	178	330	520	DN65	980	790	177	1015	400	528	290	890

Tab. F

\*\* Maximum position for the extraction of the servomotor cover.

**4.8 Firing rates**

The **MAXIMUM OUTPUT** is chosen from within the diagram area (Fig. 3).

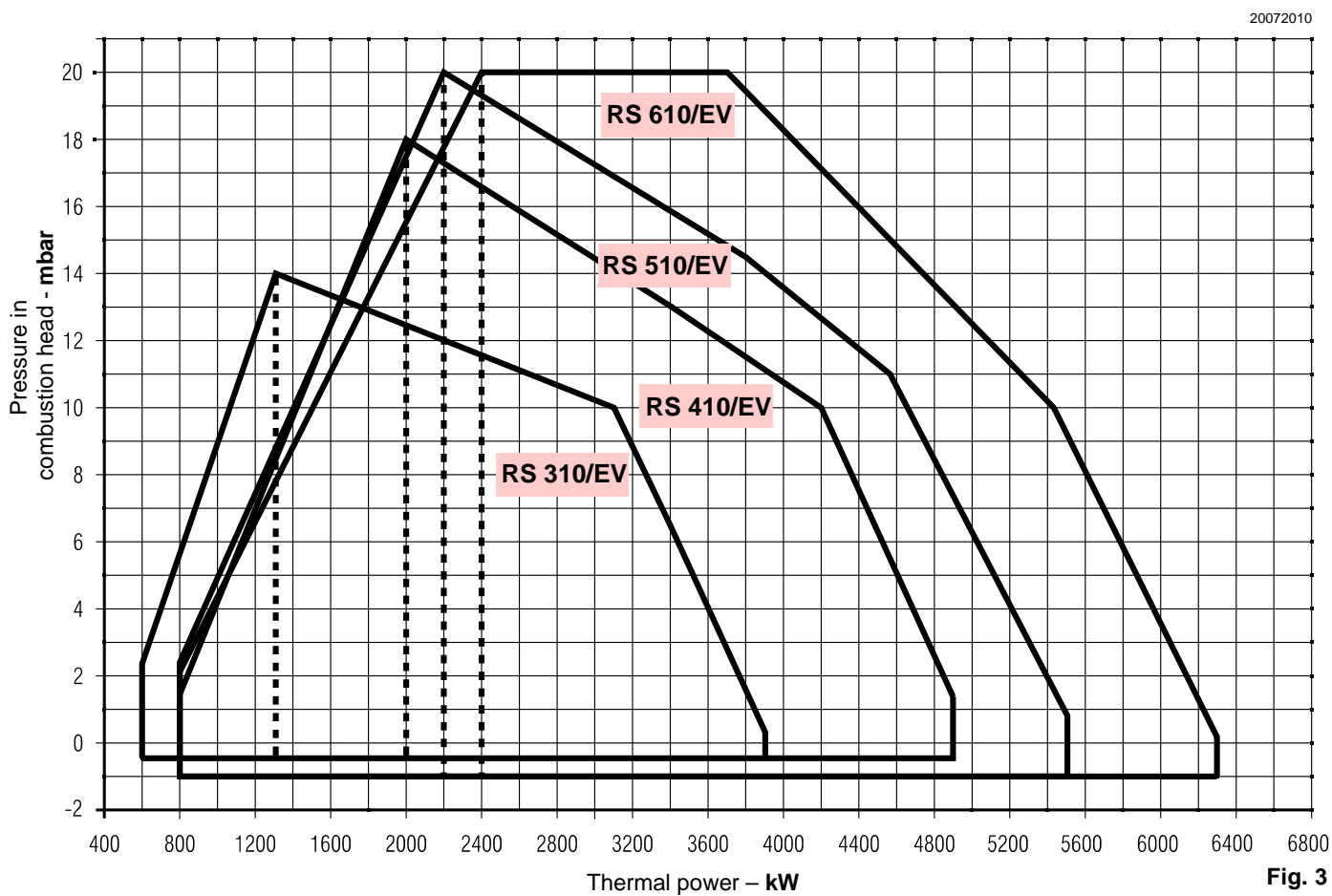
The **MINIMUM OUTPUT** must not be lower than the minimum limit of the diagram:



The firing rate value (Fig. 3) has been obtained considering an ambient temperature of 20 °C, an atmospheric pressure of 1013 mbar (approx. 0 m a.s.l.), and with the combustion head adjusted as shown on pag. 24.

Model	kW
RS 310/EV MZ	600
RS 410/EV MZ	800
RS 510/EV MZ	800
RS 610/EV MZ	820

Tab. G



**4.9 Test boiler**

The burner/boiler combination does not pose any problems if the boiler is EC approved and its combustion chamber dimensions are similar to those indicated in the diagram (Fig. 4).

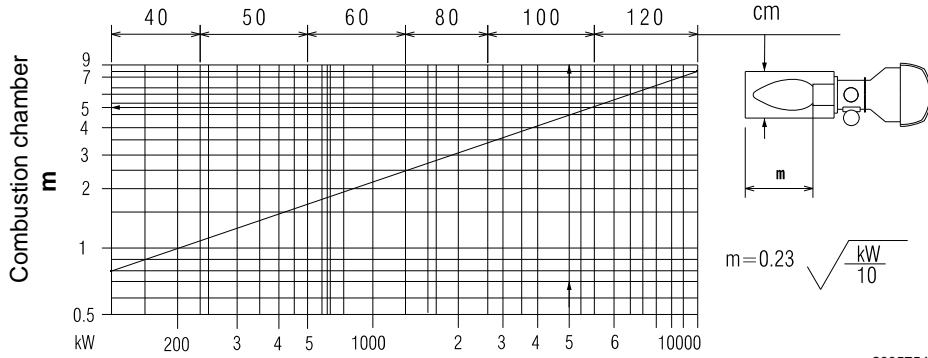
If the burner must be combined with a boiler that has not been EC approved and/or its combustion chamber dimensions are clearly smaller than those indicated in the diagram, consult the manufacturer.

The firing rates were set in relation to special test boilers, according to EN 676 regulations.

In Fig. 4 you can see the diameter and length of the test combustion chamber.

**Example: RS 510/EV MZ**

Output 7000 kW - diameter 120 cm - length 6m



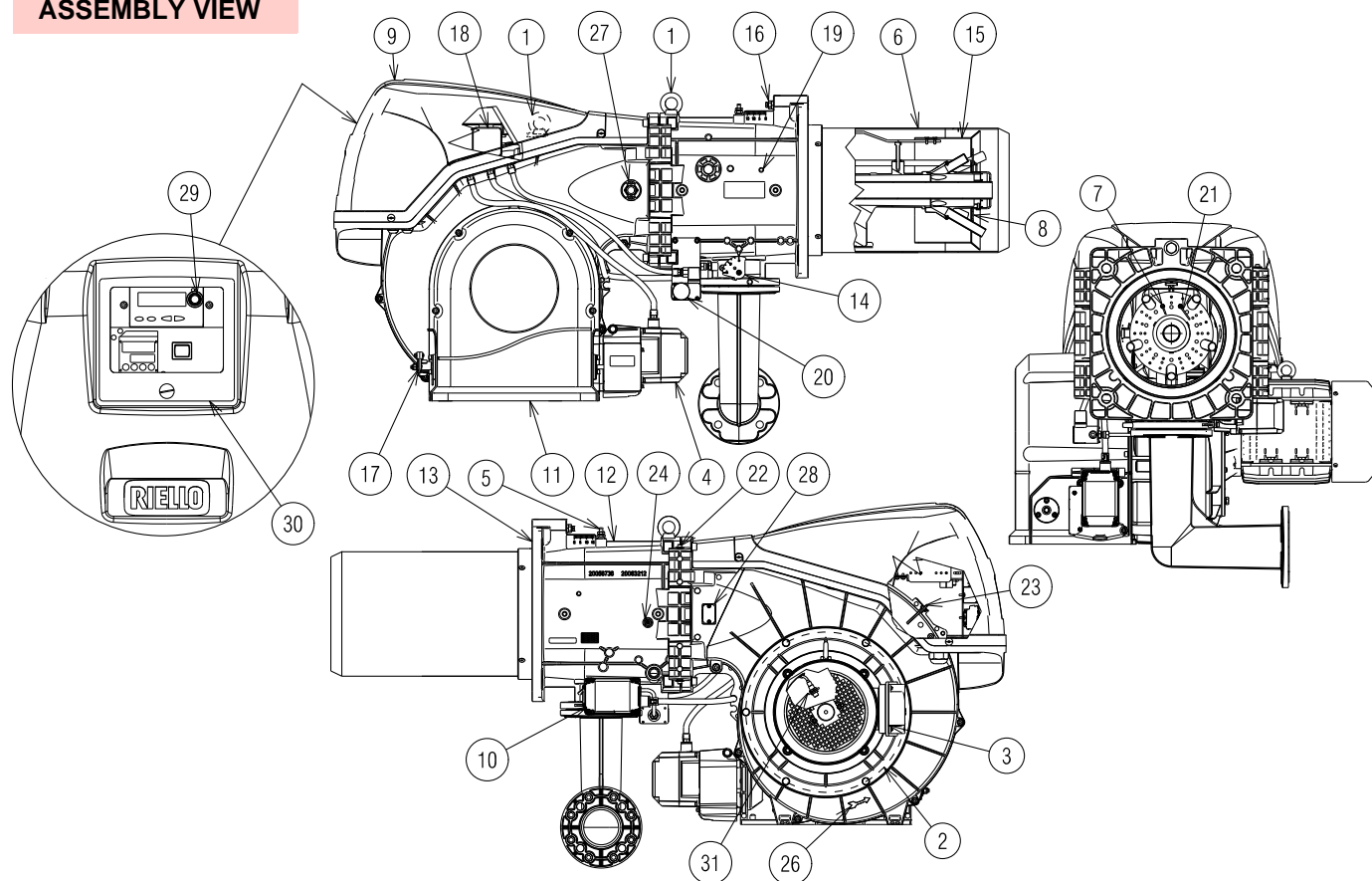
**Fig. 4**

**4.10 Burner equipment**

- Gasket for gas train adaptor. . . . . No. 1
- Adaptor for gas train. . . . . No. 1
- Screws for fixing the gas train adaptor: M 16 x 70 . . . . . No. 4
- Thermal insulation screen . . . . . No. 1
- M 18 x 60 screws to secure the burner flange to the boiler . . . . . No. 4
- Cable grommets kit for optional electrical wiring input. . . . . No. 1
- M16 nuts to fix the gas elbow to the pipe coupling . . . . . No. 8
- Stud bolts M16X60 to fix the gas elbow to the pipe coupling . . . . . No. 1
- Instructions . . . . . No. 1
- Spare parts list . . . . . No. 1

4.11 Burner description

**ASSEMBLY VIEW**



20082864

**Fig. 5**

- 1 Lifting rings
- 2 Fan
- 3 Fan motor
- 4 Air damper servomotor
- 5 Combustion head gas pressure test point
- 6 Combustion head
- 7 Ignition electrode
- 8 Flame stability disk
- 9 Electrical panel casing
- 10 Gas butterfly valve servomotor
- 11 Fan air inlet
- 12 Pipe coupling
- 13 Gasket for boiler fixing
- 14 Gas butterfly valve
- 15 Shutter
- 16 Combustion head movement screw
- 17 Lever for controlling the dampers with graduated scale
- 18 Air pressure switch
- 19 Combustion head air pressure test point
- 20 Maximum gas pressure switch with pressure test point
- 21 Flame sensor probe
- 22 Hinge for opening the burner
- 23 Pressure test point for air pressure switch "+"
- 24 Combustion head air pressure test points
- 25 Gas train adapter
- 26 Indication for checking the rotation direction of the purging motor
- 27 Flame inspection window
- 28 Provision for UV sensor kit
- 29 Reset button
- 30 Transparent protection
- 31 rpm sensor

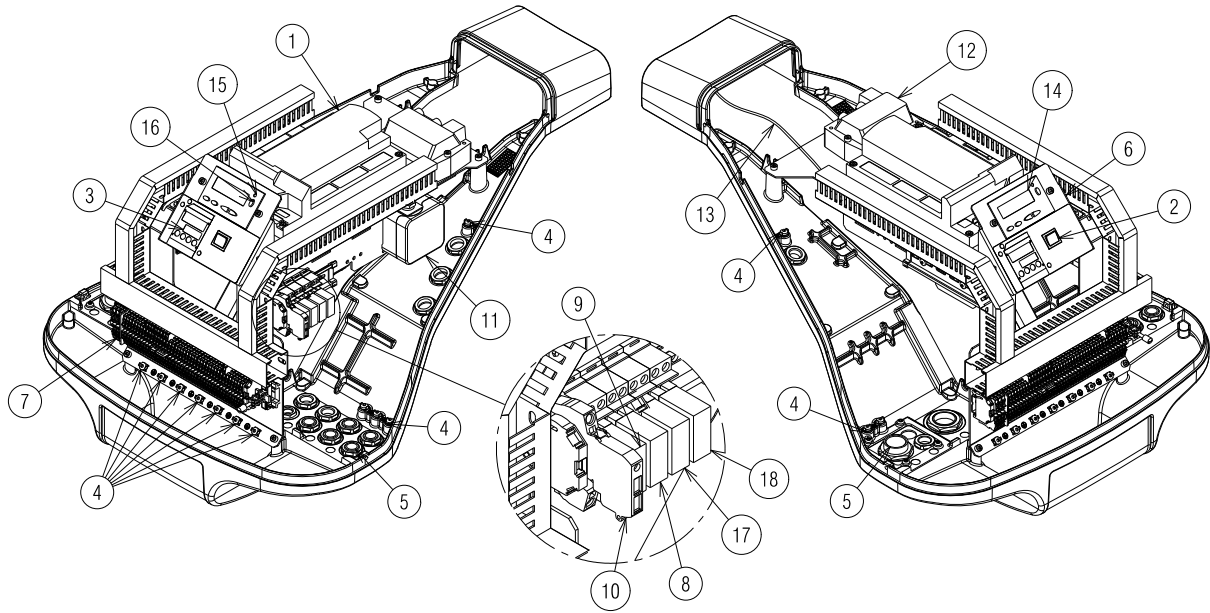


The burner can be opened to the right or to the left without links to the fuel supply side.



To open the burner see section "Access to head internal part" on page 23.

4.12 Electrical panel description



20081976

Fig. 6

- 1 Electrical control box
- 2 ON/OFF selector
- 3 Output regulator
- 4 Earth terminal
- 5 Supply cables and external connections passage. See section "Electrical wiring" on page 29
- 6 Bracket for applying the kits
- 7 Main terminal supply board
- 8 Relay with clean contacts for signalling the burner is in lock-out
- 9 Relay with clean contacts for signalling the burner is operating
- 10 Auxiliary circuits fuse (includes a spare fuse)
- 11 Air pressure switch
- 12 Ignition transformer
- 13 Ionisation probe cable
- 14 Operator panel with LCD display
- 15 Light signalling burner lockout
- 16 Reset button
- 17 Relay with clean contacts for VSD signal
- 18 Relay with clean contacts



**4.13 Control box for the air/fuel ratio (REC37...)**

**Warnings**



To avoid accidents, material and/or environmental damage, observe the following instructions!

The control box is a safety device! Avoid opening or modifying it, or forcing its operation. Riello S.p.A. cannot assume any responsibility for damage resulting from unauthorised interventions!



**Risk of explosion!**

An incorrect configuration can provoke fuel overcharging, with the consequential risk of explosion! The operators must be aware that the incorrect setting of the visualisation and operation control box, and of the positions of the fuel and/or air actuators, can cause dangerous conditions during burner operation.

The control box is a system to check the burners, based on a microprocessor and equipped with components to adjust and supervise medium and large capacity forced draught burners.

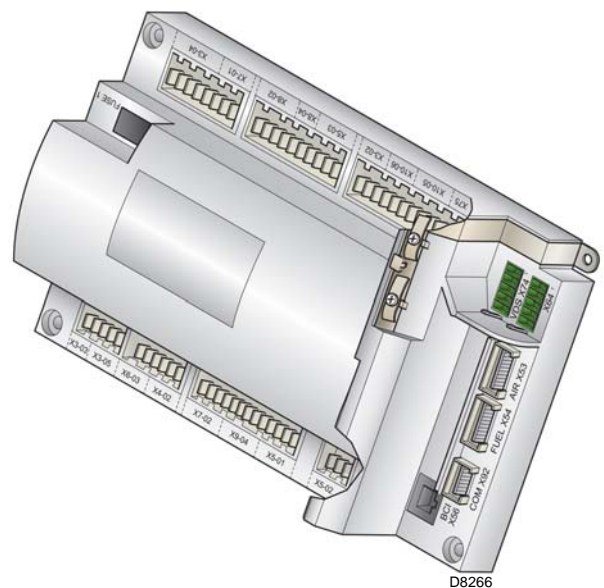
The control box contains the following components:

- burner management system with valve leak detection control device;
- electronic device to check the fuel/air ratio with a maximum of 2 actuators;
- Modbus interface.



For the safety and reliability of the control box, comply with the following instructions:

- All interventions (assembly and installation operations, assistance, etc.) must be carried out by qualified personnel.
- Before carrying out any checks on the wiring, fully isolate the system from the electric mains (omnipolar separation). Check the system is not powered and cannot be accidentally reconnected. Failure to do this will lead to the risk of electrocution.
- Protection against electrocution from the control box and all connected electric components is obtained with the correct assembly.
- After every intervention (assembly and installation operations, assistance, etc.), ensure the wiring is in order and that the parameters are correctly set, then perform the safety checks.
- Falls and collisions can negatively affect the safety functions. In this case, the control box must not be operated, even if it displays no evident damage.
- During the programming of the air-fuel ratio control curves, the technician should constantly observe the quality of the combustion process (for example using a gas analyser) and, in the event of inadequate combustion values or dangerous conditions, should take appropriate action, for example shutting down the system manually.
- The plugs of the connection cables or other accessories can be disconnected when the system has been switched off.



D8266

**Fig. 7**

- The connections to the actuators do not provide a secure separation from the mains voltage. Before connecting or changing the actuators the system should be off to avoid any conditions that could cause the formation of condensation or humidity. Otherwise, before switching on again, make sure that the entire control box is perfectly dry!
- Static charges must be avoided since they can damage the control box's electronic components when touched.
- Static charges must be avoided since they can damage the control box's electronic components when touched.

### Technical data

Control box	Mains voltage	AC 230 V -15% / +10%
	Mains frequency	50 / 60 Hz ±6%
	Power absorption	< 30 W
	Safety class	I, with components in compliance with II and III, according to DIN EN 60730-1
Load on 'input' terminals	Fuse on the control box (can be inspected)	6.3 AT
	Undervoltage	
Cable length	– Safety switch-off from operating position to mains voltage	< AC 186V
	– Restart when mains voltage picks up	> AC 195V
	– Main line AC 230 V	Max. 100 m (100 pF / m)
	– Control load (TL1-TL2)	Max. 20 m (100 pF/m)
	– External reset button (RS)	Max 20 m (100 pF/m)
	– Load exit (DC 0/2...10V)	Max. 10 m (100 pF/m)
Environmental conditions	– Fuel valve	Max. 3 m (100 pF/m)
	– Other lines	Max. 3 m (100 pF/m)
	<b>Storage</b>	DIN EN 60721-3-1
	– Climatic conditions	Class 1K3
	– Mechanical conditions	Class 1M2
	– Temperature range	-20 ... +60 °C
	– Humidity	< 95% RH
	<b>Transport</b>	DIN EN 60721-3-2
	– Climatic conditions	Class 2K2
	– Mechanical conditions	Class 2M2
	– Temperature range	-30 ... +60 °C
	– Humidity	< 95% RH
<b>Operation</b>	DIN EN 60721-3-3	
– Climatic conditions	Class 3K3	
– Mechanical conditions	Class 3M3	
– Temperature range	-20 ... +60 °C	
– Humidity	< 95% RH	

Tab. H



WARNING

Condensation, the formation of ice and the entry of water are prohibited!

4.14 Operation sequence of the burner

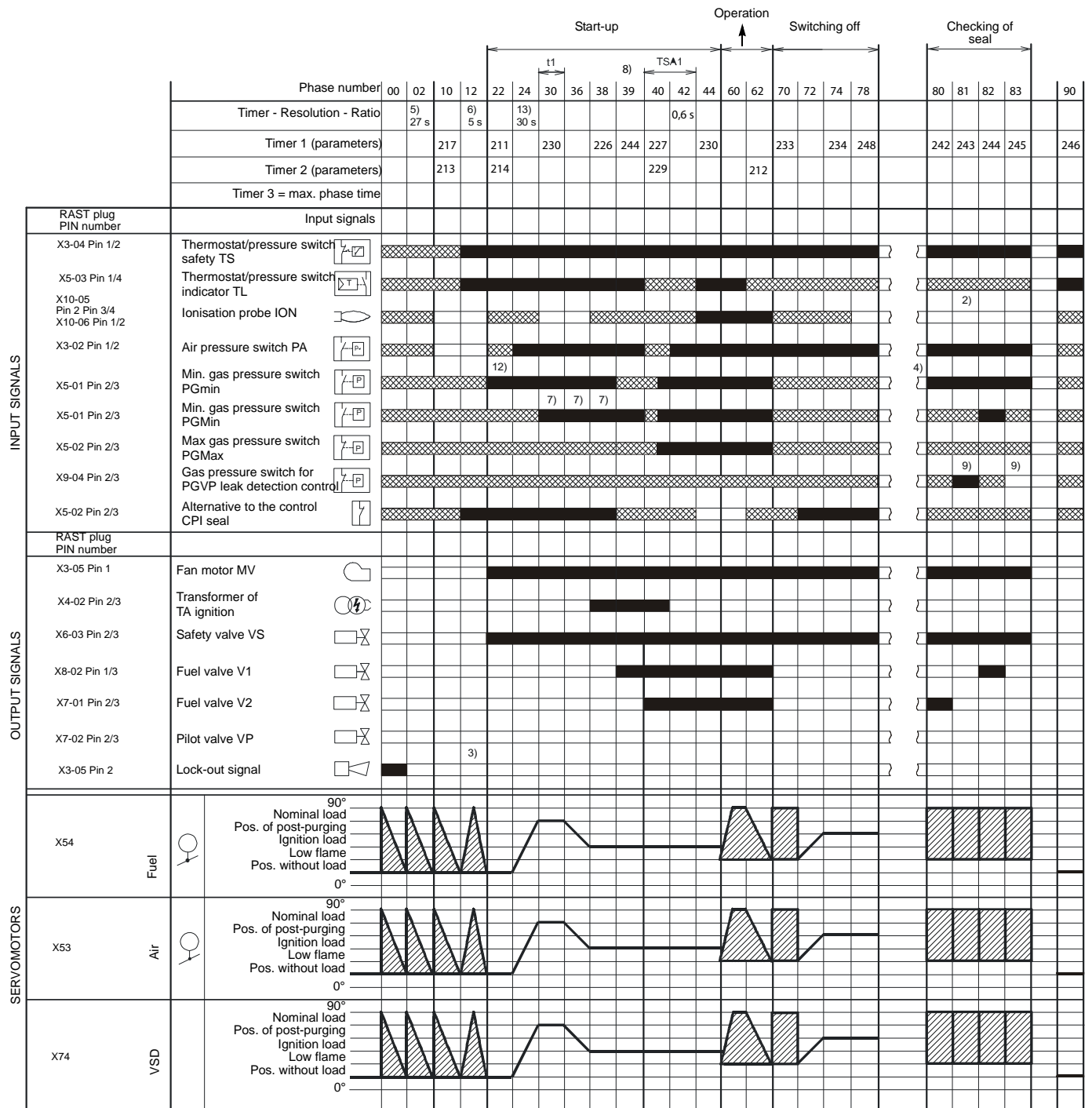
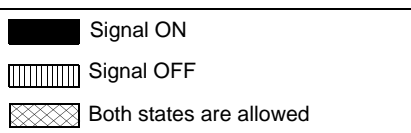


Fig. 8



**4.14.1 List of phases**

Phase	Description
Ph00	Lockout phase
Ph02	Safety phase
Ph10	Closing paused
Ph12	Standby
Ph22	Fan motor (MV) = ON Safety valve (VS) = ON
Ph24	The burner moves to the pre-purging position
Ph30	Pre-purging time
Ph36	The burner moves to the ignition position
Ph38	Ignition phase (TA) = ON
Ph39	Minimum gas pressure switch test (PGmin.)
Ph40	Fuel valve (V) = ON
Ph42	Ignition (TA) = OFF

Phase	Description
Ph44	t44 = interval time 1
Ph60	Operation
Ph62	The burner moves to the switching off position
Ph70	t13 = post-combustion time
Ph72	The burner moves to the post-purging position
Ph74	t8 = post-purging time
Ph78	t3 = post-purging time
Ph80	emptying time (valve leak detection)
Ph81	Atmospheric time test (valve leak control)
Ph82	filling time (valve leak detection)
Ph83	pressure test time (valve leak detection)
Ph90	Standby time due to lack of gas

**4.15 Operator panel operation**

The REC37 ... control box is directly connected to the operator panel (Fig. 9).

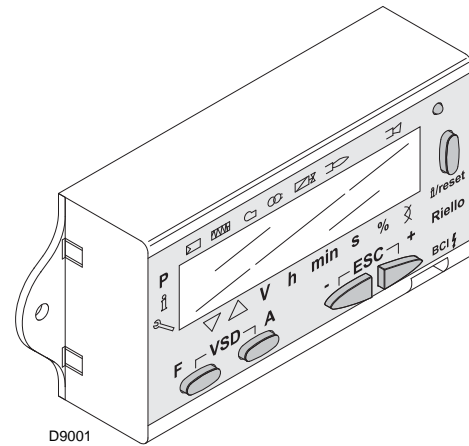
The buttons allow you to programme the operation and diagnostics menus.

The burner management system is shown on the LCD display (Fig. 10). To simplify the diagnostics, the display shows the operating status, type of problem, and when the problem arose.



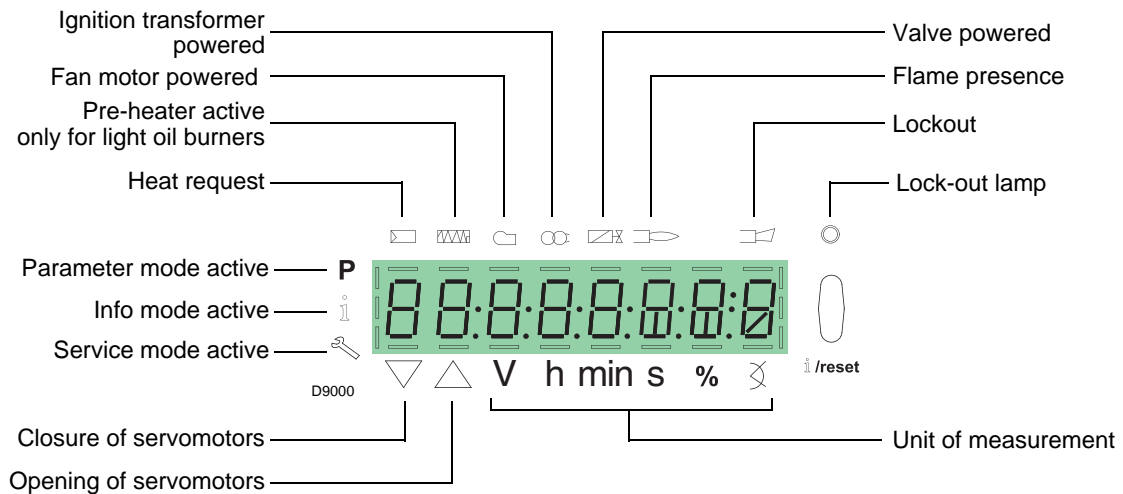
**WARNING**

- Observe the procedures and adjustments shown below.
- All interventions (assembly and installation operations, assistance, etc.) must be carried out by qualified personnel.
- If the display and operator panel are dirty, clean them with a dry cloth.
- Protect the panel from excessive temperatures and liquids.



**Fig. 9**

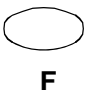



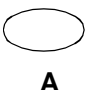



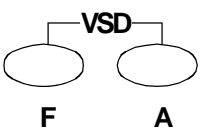






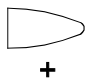
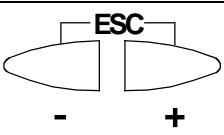


**4.15.1 Description of the symbols on the display**



**Fig. 10**

The brightness of the display can be adjusted from 0 ... 100% with the parameter 126.

4.15.2 Description of the buttons

Button	Button	Function
	<b>Button F</b>	To adjust the fuel servomotor (keep  pressed and adjust the value by pressing  or  )
	<b>Button A</b>	To adjust the air servomotor (keep  pressed and adjust the value by pressing  or  )
	<b>Buttons A and F VSD function</b>	To change the mode setting parameter P (simultaneously press  and  plus  or  )
	<b>Button Info and Enter</b>	<ul style="list-style-type: none"> <li>• <b>Enter</b> in Parameters Mode</li> <li>• <b>Reset</b> in the event of a lockout</li> <li>• Access to a lower level of the menu</li> <li>• To navigate in <b>Mode Info</b> or <b>Service</b> and permits:                             <ul style="list-style-type: none"> <li>- the selection of the parameter (flashing symbol) (press for &lt;1 s)</li> <li>- access to a lower level of the menu (press from 1...3 s)</li> <li>- access to a higher level of the menu (press from 3...8 s)</li> <li>- access to another Mode (press for &gt; 8 s)</li> </ul> </li> </ul>
	<b>Button -</b>	Lowering the value <ul style="list-style-type: none"> <li>- Access to a lower point of the modulation curve</li> <li>- Scrolling the parameter list</li> </ul>
	<b>Button +</b>	Increasing the value <ul style="list-style-type: none"> <li>- Access to a higher point of the modulation curve</li> <li>- Scrolling the parameter list</li> </ul>
	<b>Buttons - and +</b>	Quit function (ESC) (press  and  simultaneously) <ul style="list-style-type: none"> <li>- Does not confirm the value</li> <li>- Access to a higher level of the menu</li> </ul>

Tab. I

**4.16 Servomotor (SQM33....)**

**Warnings**



To avoid accidents, material or environmental damage, observe the following instructions!  
Do not open, modify or force the actuators.

- All interventions (assembly and installation operations, assistance, etc.) must be carried out by qualified personnel.
- Before modifying the wiring of the servomotor in the connection area, fully disconnect the burner control device from the power supply (omnipolar separation).
- To avoid the risk of electrocution, protect the connection terminals in a suitable manner and correctly fix the cover.
- After every intervention (assembly and installation operations, assistance, etc.), ensure the wiring is in order, then make the safety checks.
- Falls and collisions can negatively affect the safety functions. In this case, the servomotor must not be operated, even if it displays no evident damage.



**Assembly notes**

The connection between the actuator command shaft and the control element must be rigid, without any mechanical play.

**Installation notes**

- The static torque is reduced when the electrical supply of the actuator is switched off.



**During the maintenance or replacement of the actuators, be careful not to invert the connectors.**



**Fig. 11**

**Technical data**

Model	SQM33.5...
Operating voltage	AC / DC 24V ± 20%
Safety class	2 according to EN 60 730
Power absorption	Max. 10 W
Protection level	IP54 in compliance with EN 60 529-1
Cable connection	RAST2,5, connectors
Rotation direction	- GAS servomotor: clockwise - Air servomotor: anticlockwise
	The rotation direction is set in the factory using the control box parameter REC ...
Rated torque (max.)	3 Nm
Static torque (max.)	3 Nm
Running time (min.) for 90°	5....120 s.
Weight	approx. 1.4 kg
Environmental conditions:	
Operation	DIN EN 60 721-3-3
Climatic conditions	Class 3K5
Mechanical conditions	Class 3M4
Temperature range	-20...+60°C
Humidity	< 95% rh

**Tab. J**



Condensation, the formation of ice and the entry of water are prohibited!

**5 Installation**

**5.1 Notes on safety for the installation**

After carefully cleaning all around the area where the burner is to be installed, and arranging for the environment to be illuminated correctly, proceed with the installation operations.



All the installation, maintenance and disassembly operations must be carried out with the electricity supply disconnected.



The installation of the burner must be carried out by qualified personnel, as indicated in this manual and in compliance with the standards and regulations of the laws in force.



Combustion air inside the boiler must be free from hazardous mixes (e.g.: chloride, fluoride, halogen); if present, it is highly recommended to carry out cleaning and maintenance more frequently.

**5.2 Handling**

The burner packaging includes a wooden platform, it is therefore possible to move the burner (still packaged) with a transpallet truck or fork lift truck.



The handling operations for the burner can be highly dangerous if not carried out with the greatest attention: keep any unauthorised people at a distance; check the integrity and suitability of the available means of handling. Check also that the area in which you are working is empty and that there is an adequate escape area (i.e. a free, safe area to which you can quickly move if the burner should fall). When handling, keep the load at not more than 20-25 cm from the ground.



After positioning the burner near the installation point, correctly dispose of all residual packaging, separating the various types of material.



Before proceeding with the installation operations, carefully clean all around the area where the burner will be installed.

**5.3 Preliminary checks**

**Checking the consignment**



After removing all the packaging, check the integrity of the contents. In the event of doubt, do not use the burner; contact the supplier.



The packaging elements (wooden cage or cardboard box, nails, clips, plastic bags, etc.) must not be abandoned as they are potential sources of danger and pollution; but should be collected and disposed of in the appropriate places.

RBL	A	B	C
D	E		F
GAS-KAASU	<input checked="" type="checkbox"/>	G	H
GAZ-AERIO		G	H
I			RIELLO SpA 1-37045 Legnago (VR)
			CE

D10411

**Fig. 12**

**Checking the characteristics of the burner**

Check the identification label of the burner, showing:

- the model (A)(Fig. 12) and type of burner (B);
- the year of manufacture, in cryptographic form (C);
- the serial number (D);
- the data for electrical supply and the protection level (E);
- the absorbed electrical power (F);
- the types of gas used and the relative supply pressures (G);
- the data of the burner's minimum and maximum output possibilities (H) (see Firing rate)

**Warning.** The burner output must be within the boiler's firing rate;

- the category of the appliance/countries of destination (I).



A burner label, or any other component, that has been tampered with, removed or is missing, prevents the definite identification of the burner and makes any installation or maintenance work difficult



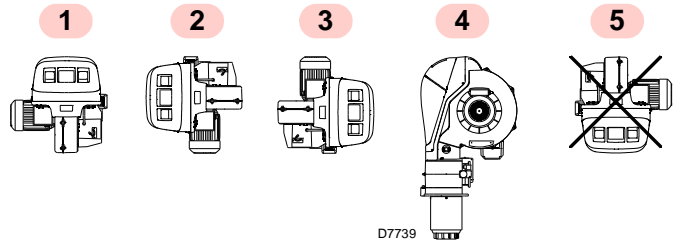
**5.4 Operating position**



- The burner is designed to operate only in positions 1, 2, 3 and 4 (Fig. 13).
- Installation 1 is preferable, as it is the only one that allows the maintenance operations as described in this manual.
- Installations 2, 3 and 4 permit operation but make maintenance and inspection of the combustion head more difficult.



- Any other position could compromise the correct operation of the appliance.
- Installation 5 is prohibited for safety reasons.



**Fig. 13**

**5.5 Preparing the boiler**

**5.5.1 Boring the boiler plate**

Drill the combustion chamber locking plate as shown in Fig. 14 (Tab. K). The position of the threaded holes can be marked using the thermal screen supplied with the burner.

**5.5.2 Blast tube length**

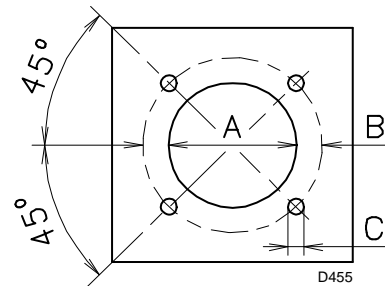
The length of the blast tube must be selected according to the indications provided by the manufacturer of the boiler, and in any case it must be greater than the thickness of the boiler door complete with its fettling.

For boilers with front flue passes 1)(Fig. 15) or flame inversion chamber, a protection in refractory material 5) must be inserted between the boiler fettling 2) and the blast tube 4).

The refractory can have a conical shape (minimum 60°).

This protective fettling must not compromise the extraction of the blast tube.

For boilers with a water-cooled front piece, a refractory lining 2)-5) (Fig. 15) is not necessary, unless expressly requested by the boiler manufacturer.



**Fig. 14**

mm	A	B	C
RS 310/EV MZ	335	452	M18
RS 410/EV MZ	335	452	M18
RS 510/EV MZ	335	452	M18
RS 610/EV MZ	350	452	M18

**Tab. K**

**5.6 Securing the burner to the boiler**

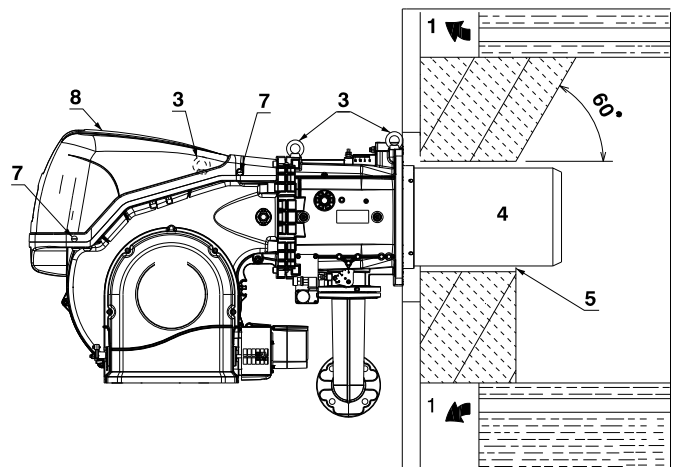


Prepare a suitable lifting system using the rings 3)(Fig. 15), after removing the fixing screws 7) of the casing 8).

- Fit the heat insulation supplied onto the blast tube (4)(Fig. 15).
- Fit the entire burner onto the boiler hole prepared previously (Fig. 14), and fasten with the screws supplied.



**The seal between burner and boiler must be airtight.**



**Fig. 15**

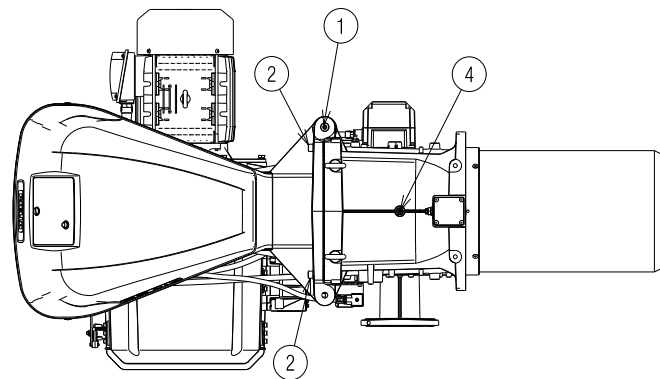


**5.7 Access to head internal part**

The burner leaves the factory set for opening to the left, therefore maintaining the pin 1)(Fig. 16) in the housing.

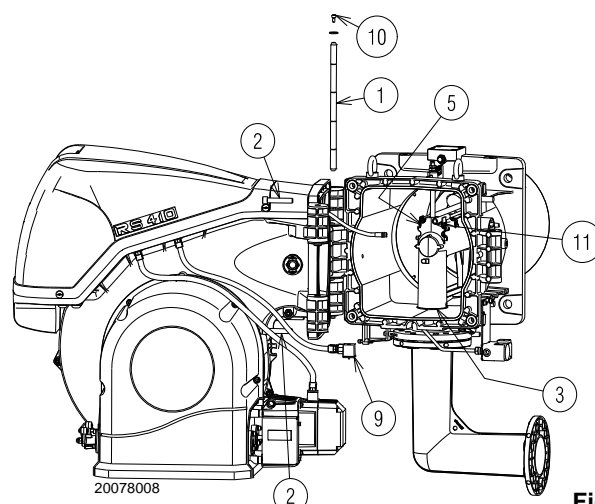
To open the burner towards the left, proceed as follows:

- A** Disconnect the plug/socket 9)(Fig. 16) of the maximum gas pressure switch;
- B** Remove the screws 2);
- C** Open the burner to a maximum of 100-150 mm by rotating around the hinge and release the cables of the probe 5) and electrode 11);
- D** Fully open the burner as in Fig. 16;
- F** Undo the screw 4) with pressure test point.
- G** Release the head by lifting it from its housing 3), then take out the combustion head.



**WARNING**

To open the burner from the opposite side, before removing the pin 1)(Fig. 16), make sure that the 4 screws 2) are tight. Then shift the pin 1) to the opposite side, only then is it possible to remove the screws 2). Disconnect the socket 9 (Fig. 16) of the maximum gas pressure switch, then proceed as described above at point C).



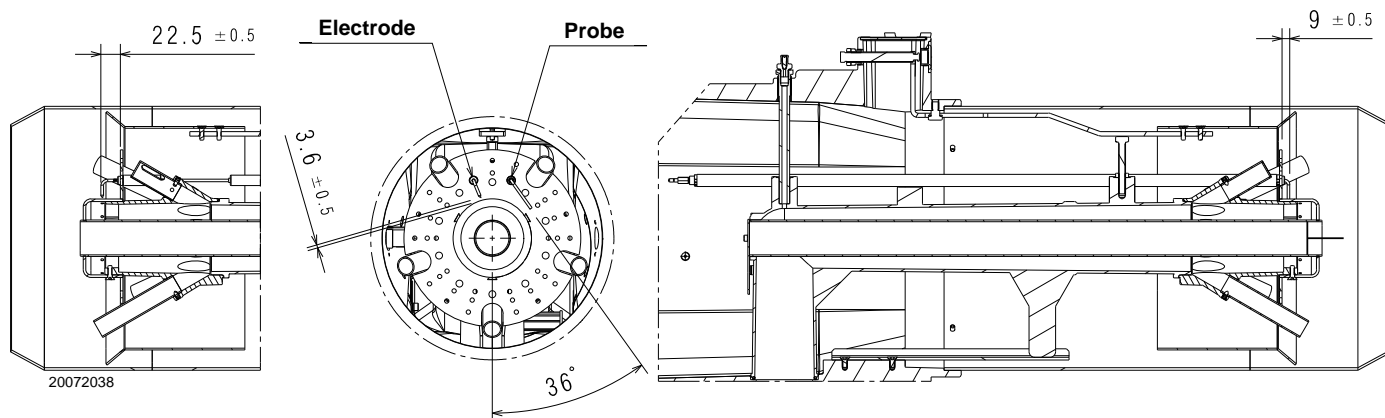
**Fig. 16**

**5.8 Probe-electrode position**



**WARNING**

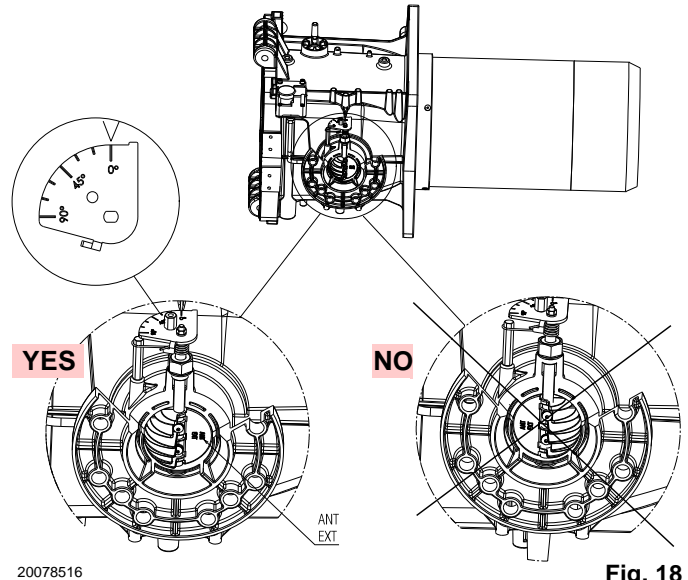
Check that the probe and the electrode are placed as in Fig. 17, according to the dimensions indicated.



**Fig. 17**

**5.9 Gas butterfly valve**

If necessary, replace the gas butterfly valve. The correct position is shown in Fig. 18.



**Fig. 18**

**5.10 Combustion head adjustment**

Rotate the screw 1) until the notch you have found corresponds with the front surface of the screw itself.

The combustion head is opened by turning the screw 1) anti-clockwise.

The combustion head is closed by turning the screw 1) clockwise (Fig. 19)

**Central air adjustment:**

The factory setting is shown in **Tab. L**

Burner	RS 310	RS 410	RS 510	RS 610
Set-point	7	4	7	7

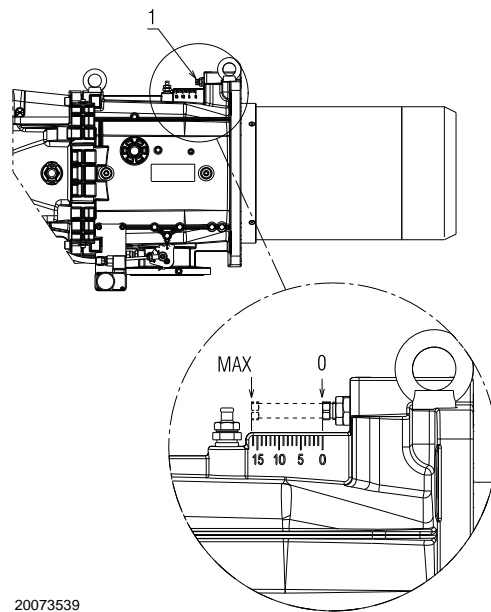
**Tab. L**



**WARNING**

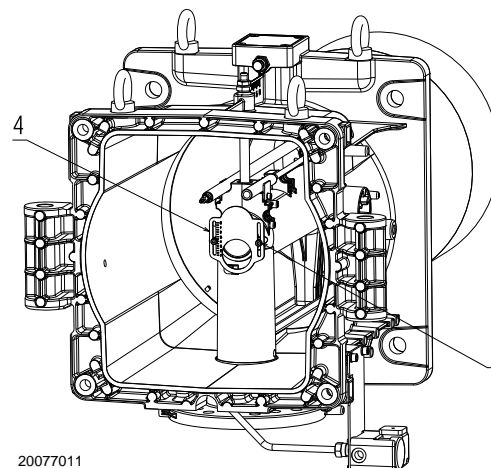
Normally the calibrations indicated in Tab. L should not be changed.

In the event that the specific application requires a particular adjustment, it is possible to change the central air flow rate using the ring nut 4)(Fig. 20). To carry out this operation loosen the screws 5)(Fig. 20) and move the ring nut 4)(Fig. 20). When finished, lock the screws 5) again (Fig. 20).



20073539

**Fig. 19**

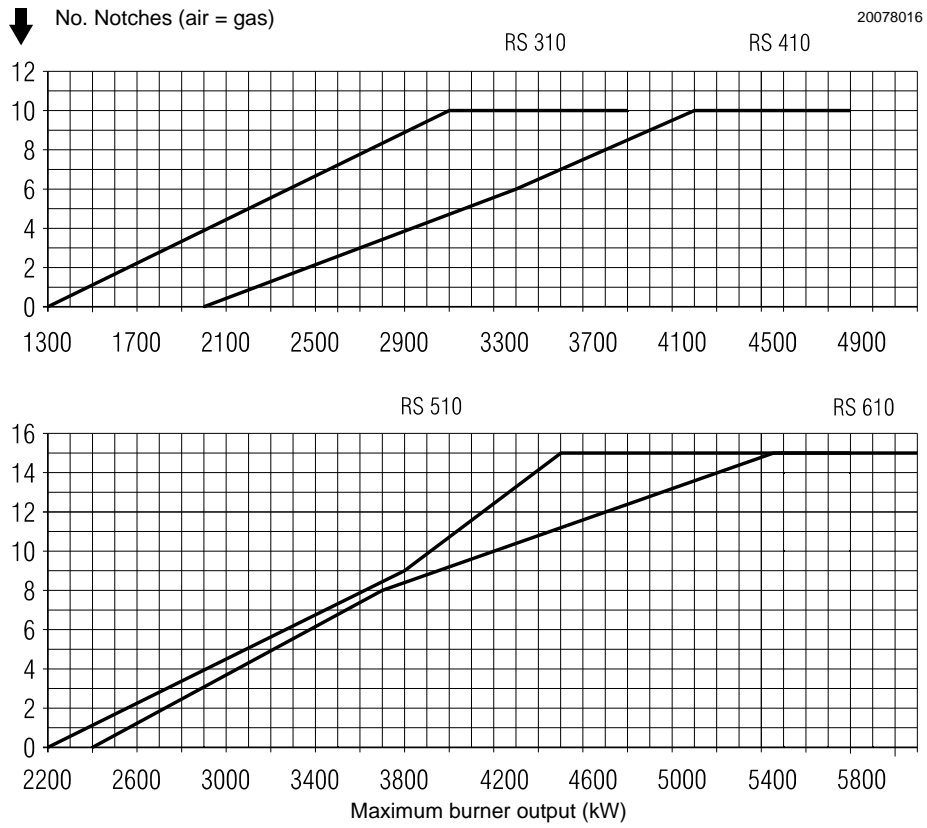


20077011

**Fig. 20**

Below is a diagram (Fig. 21) that shows the recommended adjustment of the combustion head.

**NOTE:**  
Depending on the specific application, the adjustment can be modified.



**Fig. 21**

### 5.11 Gas pressures



Explosion danger due to fuel leaks in the presence of a flammable source.

Precautions: avoid knocking, attrition, sparks and heat.

Make sure the fuel interception tap is closed before performing any operation on the burner.



WARNING

The fuel supply line must be installed by qualified personnel, in compliance with current standards and laws.

#### 5.11.1 Gas feeding line

Key (Fig. 22 - Fig. 23 - Fig. 24 - Fig. 25)

- 1 Gas input pipe
- 2 Manual valve
- 3 Vibration damping joint
- 4 Pressure gauge with push-button cock
- 5 Filter
- 6A Includes:
  - Filter
  - working valve
  - safety valve
  - pressure adjuster
- 6B Includes
  - working valve
  - safety valve
  - pressure adjuster
- 6C Includes
  - safety valve
  - working valve
- 6D Includes:
  - safety valve
  - working valve
- 7 Minimum gas pressure switch
- 8 Leak detection control, provided as an accessory or integrated, based on the gas train code. In compliance with the EN 676 standard, the leak detection control is compulsory for burners with maximum outputs over 1200 kW.
- 9 Gasket, for "flanged" versions only
- 10 Pressure adjuster
- 11 Train-Burner adaptor, supplied separately
- P2 Upstream pressure of valves/adjuster
- P3 Upstream pressure of the filter
- L Gas train, supplied separately
- L1 The responsibility of the installer

MBC "threaded"

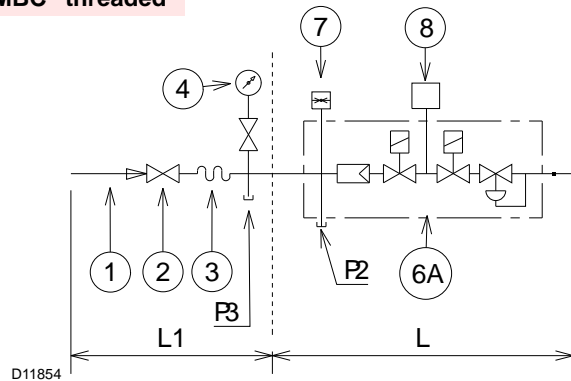


Fig. 22

MBC "flanged"

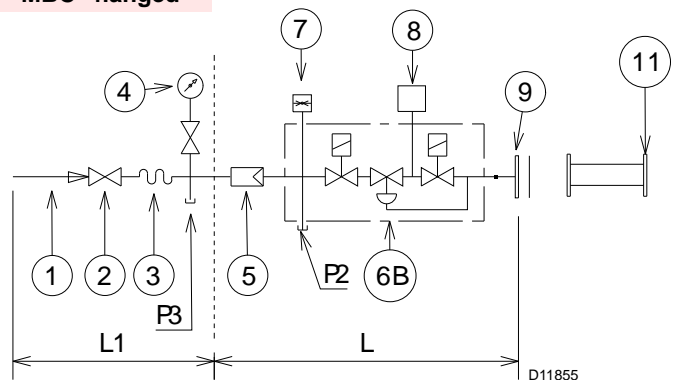


Fig. 23

DMV "flanged or threaded"

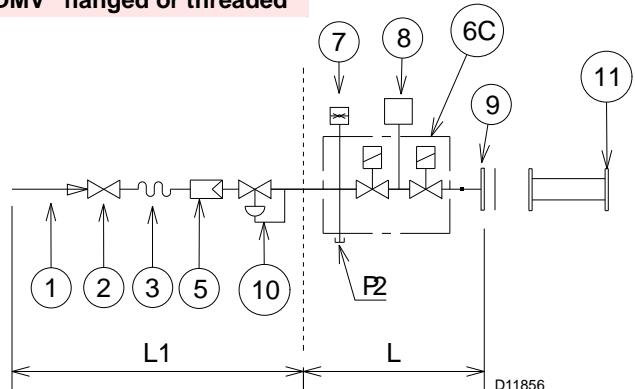


Fig. 24

CB "flanged or threaded"

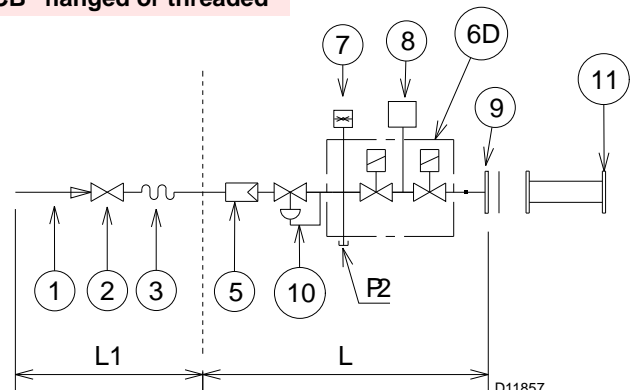


Fig. 25

**5.11.2 Gas train**

Approved according to standard EN 676 and provided separately from the burner.

To select the correct gas train model, refer to the supplied "Burner-gas train combination" manual.



Pay attention when handling the train: danger of crushing of limbs.



Make sure that the gas train is properly installed by checking for any fuel leaks.

**5.11.3 Gas train installation**



Disconnect the electrical power using the main switch.

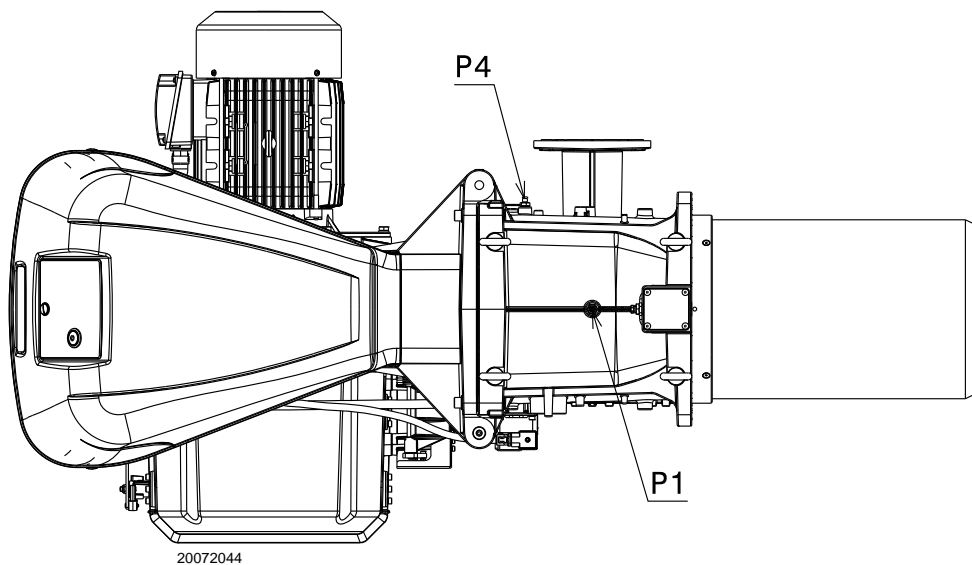
DANGER



Check that there are no gas leaks.



The operator must use the required equipment during installation.



20072044

Fig. 26

**5.11.4 Gas pressure**

Tab. M indicates the minimum pressure drops along the gas supply line, depending on the maximum burner output.

The values shown in Tab. M refer to:

- Natural gas G 20 NCV 9.45 kWh/Sm<sup>3</sup> (8.2 Mcal/Sm<sup>3</sup>)
- Natural gas G 25 NCV 8.13 kWh/Sm<sup>3</sup> (7.0 Mcal/Sm<sup>3</sup>)

Column 1

Combustion head pressure drop.

Gas pressure measured at the test point P1)(Fig. 26), with:

- Combustion chamber at 0 mbar;
- Burner working at maximum output;
- Combustion head adjusted as in pag. 24.

Column 2

Pressure loss at gas butterfly valve 14)(Fig. 5 on page 13) with maximum opening: 90°.

Calculate the approximate maximum output of the burner in this way:

- subtract the combustion chamber pressure from the gas pressure measured at test point P1)(Fig. 26).
- Find, in the table Tab. M related to the burner concerned, the pressure value closest to the result of the subtraction.
- read the corresponding output on the left.

**Example RS 410/EV MZ with G20 natural gas:**

Maximum output operation

Gas pressure at test point P1)(Fig. 26) = 46.7 mbar  
 Pressure in combustion chamber = 5.0 mbar  
 46.7 - 5.0 = 41.7 mbar

A pressure of 41.7 mbar, column 1, corresponds in Tab. M to an output of 4900 kW.

This value serves as a rough guide; the effective output must be measured at the gas meter.

To calculate the required gas pressure at test point P1)(Fig. 26), set the MAX output required from the burner operation:

- find the nearest output value in the table Tab. M for the burner in question.
- read, on the right (column 1), the pressure at the test point P1)(Fig. 26).
- Add this value to the estimated pressure in the combustion chamber.

**Example RS 410/EV MZ with G20 natural gas:**

Required burner maximum output operation: 4900 kW

Gas pressure at an output of 4900 kW = 41.7 mbar  
 Pressure in combustion chamber = 5.0 mbar  
 41.7 + 5.0 = 46.5 mbar

Pressure required at test point P1)(Fig. 26).

	kW	1 Δp (mbar)		2 Δp (mbar)	
		G 20	G 25	G 20	G 25
RS 310/EV MZ	1300	3.4	5.1	0.1	0.1
	1560	5.5	8.2	0.5	0.7
	1820	7.8	11.6	1.6	2.4
	2080	10.3	15.4	2.7	4.0
	2340	13.0	19.4	3.9	5.8
	2600	15.9	23.7	5.0	7.5
	2860	18.9	28.2	6.2	9.3
	3120	22.2	33.1	7.5	11.2
	3380	25.7	38.3	8.7	13.0
	3640	29.3	43.7	10.0	14.9
RS 410/EV MZ	3900	33.2	49.5	11.4	17.0
	2000	13.8	20.6	2.4	3.6
	2290	14.5	21.6	3.6	5.4
	2580	15.7	23.4	4.9	7.3
	2870	17.4	26.0	6.3	9.4
	3160	19.5	29.1	7.7	11.5
	3450	22.1	33.0	9.1	13.6
	3740	25.1	37.4	10.5	15.7
	4030	28.6	42.7	12.0	17.9
	4320	32.5	48.5	13.6	20.3
RS 510/EV MZ	4610	36.9	55.1	15.1	22.5
	4900	41.7	62.2	16.8	25.1
	2200	15.7	23.4	3.3	4.9
	2540	16.3	24.3	4.8	7.2
	2880	17.4	26.0	6.3	9.4
	3220	19.2	28.6	8.0	11.9
	3560	21.6	32.2	9.6	14.3
	3900	24.6	36.7	11.4	17.0
	4240	28.2	42.1	13.1	19.5
	4580	32.5	48.5	15.0	22.4
RS 610/EV MZ	4920	37.3	55.7	16.9	25.2
	5260	42.8	63.9	18.8	28.0
	5600	48.9	73.0	20.8	31.0
	2400	10.3	15.4	4.1	6.1
	2790	13.8	20.6	5.9	8.8
	3180	17.8	26.6	7.8	11.6
	3570	22.2	33.1	9.7	14.5
	3960	27.0	40.3	11.7	17.5
	4350	32.2	48.0	13.7	20.4
	4740	37.9	56.5	15.9	23.7
RS	5130	43.9	65.5	18.1	27.0
	5520	50.4	75.2	20.3	30.3
	5910	57.3	85.5	22.7	33.9
	6300	64.6	96.4	25.1	37.4

**Tab. M**

## 5.12 Electrical wiring

### Notes on safety for the electrical wiring



DANGER

- The electrical wiring must be carried out with the electrical supply disconnected.
- Electrical wiring must be made in accordance with the regulations currently in force in the country of destination and by qualified personnel. Refer to the wiring diagrams.
- The manufacturer declines all responsibility for modifications or connections different from those shown in the wiring diagrams.
- Check that the electrical supply of the burner corresponds to that shown on the identification label and in this manual.
- The electrical safety of the device is obtained only when it is correctly connected to an efficient earthing system, made according to current standards. It is necessary to check this fundamental safety requirement. In the event of doubt, have the electrical system checked by qualified personnel. Do not use the gas tubes as an earthing system for electrical devices.
- The electrical system must be suitable for the maximum power absorption of the device, as indicated on the label and in the manual, checking in particular that the section of the cables is suitable for that level of power absorption.
- For the main power supply of the device from the electricity mains:
  - do not use adapters, multiple sockets or extensions;
  - make provisions for an omnipolar switch with a gap between the contacts of at least 3 mm (over-voltage category III), as required by current safety regulations.
- Do not touch the device with wet or damp body parts and/or in bare feet.
- Do not pull the electric cables.
- Check the electric wiring inside the boiler complies with the national and local safety regulations.
- Live and neutral should not be mixed up (this could cause dangerous malfunctions, a loss of protection against electric shocks, etc.).
- Make sure the cable grommets of the connected cables comply with the relevant standards (e.g. EN 60 730 and EN 60 335).
- When wiring the unit, make sure that AC 230V mains voltage cables are run strictly separate from extra low-voltage cables to avoid risks of electrical shock.
- The RS 310-410-510-610/EV burners equipped with REC 37... can operate in FS1 or FS2 mode. See section "Modify the parameter for continuous/intermittent operation (FS2/FS1)" on page 40. Refer to the following notes for the type of operation that has been set.
- The FS1 burners have been set for intermittent operation. This means that the burner should compulsorily be stopped at least once every 24 hours to enable the electric control box to check its own safety and efficiency at start-up. Normally, burner stopping is guaranteed by the boiler's thermostat/pressure switch. If this is not the case, a time switch should be fitted in series to TL to stop the FS1 burner at least once every 24 hours. Refer to the wiring diagrams.
- The FS2 burners have been set for continuous operation. This means that the burner should compulsorily be stopped at least once every 72 hours to enable the electric control box to check its own safety and efficiency at start-up. Normally, burner stopping is guaranteed by the boiler's thermostat/pressure switch. If this is not the case, a time switch should be fitted in series to TL to stop the FS2 burner at least once every 72 hours. Refer to the wiring diagrams.

Before carrying out any maintenance, cleaning or checking operations:



DANGER

Turn off the burner's power supply using the main system switch.



DANGER

Turn off the fuel interception tap.



DANGER

Avoid condensate, ice and water leaks from forming.

If the cover is still present, remove it and proceed with the electrical wiring according to the wiring diagrams.

Use flexible cables in compliance with the EN 60 335-1 standard.

**5.12.1 Supply cables and external connections passage**

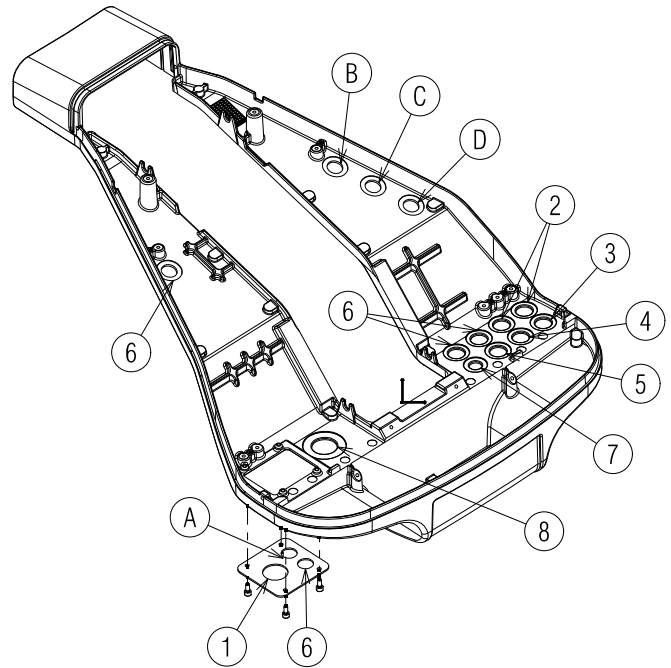
All the cables to be connected to the burner must be threaded through cable grommets. The use of the cable grommets can take various forms; by way of example see Fig. 27.

Key (Fig. 27)

- 1 Electrical supply - Bore for M32
- 2 Consents and safety devices - Bore for M20
- 3 Minimum gas pressure switch - Bore for M20
- 4 VPS gas valve leak detection control kit- Bore for M20
- 5 Gas train - Bore for M20
- 6 Available - Bore for M20
- 7 Available - Bore for M16
- 8 Available - Bore for M32

Cable grommets used in the factory:

- A Rpm sensor
- B Maximum gas pressure switch
- C GAS servomotor
- D AIR servomotor



20081977

**Fig. 27**



After carrying out maintenance, cleaning or checking operations, reassemble the cover and all the safety and protection devices of the burner.



**6 Start-up, calibration and operation of the burner**

**6.1 Notes on safety for the first start-up**



The first start-up of the burner must be carried out by qualified personnel, as indicated in this manual and in compliance with the standards and regulations of the laws in force.



Check the correct working of the adjustment, command and safety devices.

**6.2 Adjustments prior to ignition**

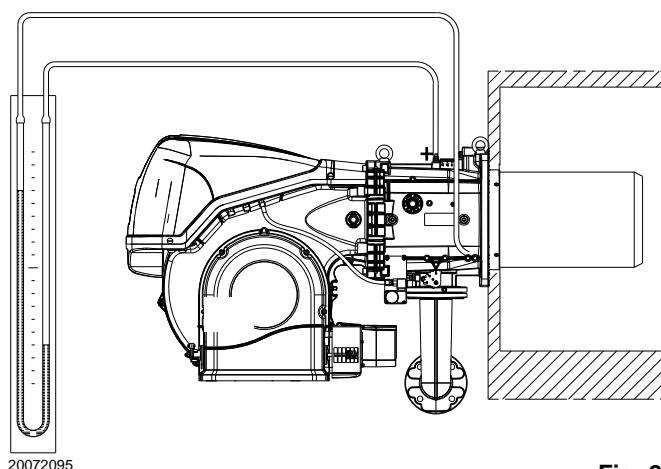
Combustion head adjustment has already been already described in the section “Combustion head adjustment” on page 24.

In addition, the following adjustments must also be made:

- Open manual valves upstream from the gas train.
- Adjust the minimum gas pressure switch to the start of the scale.
- Adjust the maximum gas pressure switch to the end of the scale.
- Adjust the air pressure switch to the start of the scale.
- Adjust the pressure switch for the leak detection control (PVP kit)(Fig. 39 on page 54) according to the instructions supplied with the kit.
- Purge the air from the gas line.  
We recommend using a plastic tube routed outside the building and to purge air until gas is smelt.
- Fit a U-type pressure gauge or a differential pressure gauge (Fig. 28), with socket (+) on the gas pressure of the pipe coupling and (-) in the combustion chamber.  
The manometer readings are used to calculate MAX burner output using the Tab. M.
- Connect two lamps or testers to the two gas line solenoids to check the exact moment in which voltage is supplied. This operation is unnecessary if each of the two solenoids is equipped with a pilot light that signals voltage passing through.



Before starting up the burner, it is good practice to adjust the gas train so that ignition takes place in conditions of maximum safety, i.e. with gas delivery at the minimum.



**Fig. 28**

**6.3 Start-up procedure**

Electrically power the burner using the disconnecting switch on the boiler panel.

Close the thermostats/pressure switches and set the switch of Fig. 29 to “1/ON”.



Make sure that the lights or testers connected to the solenoids, or the pilot lights on the solenoids themselves, indicate that no voltage is present. If voltage is present, stop the burner immediately and check the electrical connections.

As the burner is not fitted with a device to check the sequence of the phases, it may be that the rotation of the motor is incorrect.

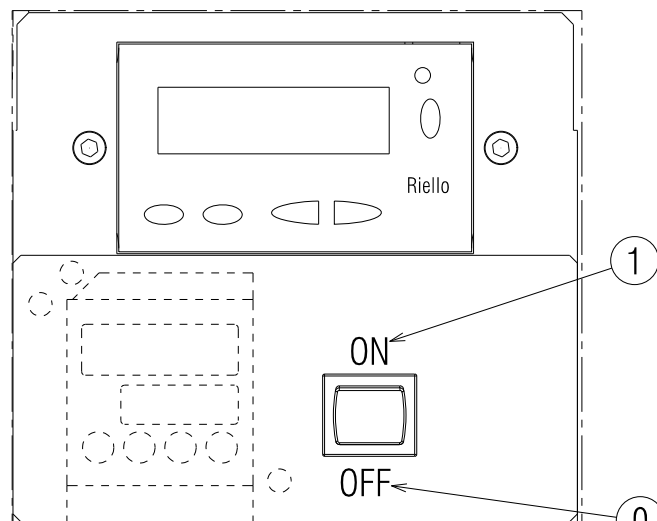
As soon as the burner starts up, go in front of fan motor cooling fan and check it is rotating anticlockwise or else in the direction of the arrow shown in the diagram Fig. 5.

If this is not the case:

- put the switch of Fig. 29 to “0/OFF” and wait until the control box carries out the switching off phase;
- disconnect the burner from the electrical supply.



Invert the phases on the three-phase power supply. This operation must be carried out with the electrical supply disconnected. Follow the “Start-up procedure” on page 31.



20076576

**Fig. 29**

**6.4 Air / fuel adjustment**

Air/fuel synchronisation is carried out with the relevant air and gas servomotors by logging a calibration curve by using the electronic cam.

It is advisable, to reduce the loss and for a wide calibration field, to adjust the servomotors to the maximum of the output used, the nearest possible to the maximum opening (90°).

The choking of the air, taking into account the maximum combustion output, takes place by varying the adjustment of the combustion head (see "Combustion head adjustment" on page 24.).

On the gas butterfly valve, the fuel step according to the burner output required, with servomotor completely open, is carried out by the pressure stabiliser on the gas train.

**6.4.1 Air adjustment for maximum output**

- Adjust the servomotor to maximum opening (nearly 90° so that the air butterfly valves are entirely open 17) Fig. 5 on page 13.

**6.4.2 Air/fuel adjustment and output modulation system**

The air/gas regulator and output modulation system equipping **RS/EV** series burners performs a number of integrated functions to optimise burner function, in both individual installations and in combination with other units (e.g. double furnace boiler or multiple heat generators in parallel).

The basic system functions control:

- 1 The dosage of the air and fuel through positioning using direct servocommands of the relevant valves eliminating the possible play in the calibration systems with mechanical cam lever mechanisms, used on traditional modulating burners.
- 2 The modulation of the burner output in accordance with the load required by the system, with maintenance of the pressure or temperature of the boiler at the operating values set.
- 3 The sequence (cascade adjustment) of more than one boiler through the suitable connection of the various units and the activation of the internal software of the individual systems (option).

Further interfaces and communication functions with computers, for remote control or integration in central supervision systems are available on the basis of the configuration of the system.



The first start up and every further internal setting operation of the adjustment system or the expansion of the base functions require access by means of password and are to be carried out by service personnel who are especially trained for the internal programming of the instrument and the specific application created with this burner.

**6.4.3 Burner adjustment**

The optimum adjustment of the burner requires an analysis of flue gases at the boiler outlet.

Adjust in sequence:

- 1 - Output upon ignition
- 2 - MAX output
- 3 - MIN output
- 4 - Intermediate outputs between Min. and Max.
- 5 - Air pressure switch
- 6 - Maximum gas pressure switch
- 7 - Minimum gas pressure switch

**6.4.4 Output upon ignition**

Ignition must occur at a lower output than the max. operation output. Regulations provide that the ignition output of this burner must be equal to or less than 1/3 of the MAX operation output.

Example:

MAX operation output of 600 kW.

The ignition output must be equal to or less than 200 kW with  $t_s = 3s$

In order to measure the ignition output:

- disconnect the plug-socket 13)(Fig. 5 on page 13) on the ionisation probe cable (the burner will fire and then go into lockout after the safety time has elapsed);
- perform 10 consecutive ignitions with lockouts;
- on the meter, read the quantity of gas burned: This quantity must be equal to, or lower than, the quantity given by the formula, for  $t_s = 3s$ :

$$V_g = \frac{Q_a \text{ (max. burner delivery)} \times n \times t_s}{3600}$$

- V<sub>g</sub>** volume supplied in ignitions carried out (Sm<sup>3</sup>)
- Q<sub>a</sub>** ignition delivery (Sm<sup>3</sup>/h)
- n** number of ignitions (10)
- t<sub>s</sub>** safety time (sec)

**Example for gas G20 (9.45 kWh/Sm<sup>3</sup>):**

ignition output 200 kW corresponding to

$$\frac{200}{9.45} = 21.16 \text{ Sm}^3/\text{h}$$

After 10 ignitions with their lockouts, the delivery indicated on the meter must be equal to or less than:

$$V_g = \frac{21.16 \times 10 \times 3}{3600} = 0,176 \text{ Sm}^3$$

**Air adjustment**

The adjustment of the air is carried out by changing the angle of the air damper (17) Fig. 5 on page 13) changing the degrees of the air servomotor inside the electronic cam programme.

**6.4.5 Maximum output**

The MAX output must be set within the firing rate (Fig. 3 on page 11).

**Adjustment of gas delivery**

Measure the gas delivery on the gas meter.

As an indicative guide it can be taken from Tab. Q on page 42, just read the gas pressure on the pressure gauge (shown in Fig. 37 on page 53) and follow the instructions given on pag. 28.

- If it is necessary to reduce it, lower the output gas pressure via the pressure adjuster located beneath the gas valve.
- If delivery needs to be increased, increase the adjuster outlet gas pressure.

**Air adjustment**

If necessary vary the degrees of the air servomotor.

**6.4.6 Minimum output**

The MIN output must be set within the firing rate (Fig. 3 on page 11).

## 6.5 Final adjustment of the pressure switches

### 6.5.1 Air pressure switch

Adjust the air pressure switch (Fig. 30) after performing all other burner adjustments with the air pressure switch set to the start of the scale.

With the burner operating at minimum output, insert a combustion analyser in the stack, slowly close the suction inlet of the fan (for example, with a piece of cardboard) until the CO value does not exceed 100 ppm.

Slowly turn the appropriate knob clockwise until the burner goes into lockout.

Check the indication of the arrow pointing upwards on the graduated scale. Turn the knob clockwise again, until the value shown on the scale corresponds with the arrow pointing downwards, and so recovering the hysteresis of the pressure switch shown by the white mark on a blue background, between the two arrows.

Now check the correct start-up of the burner. If the burner locks out again, turn the knob anti-clockwise a little bit more. During these operations it may be useful to measure the air pressure with a pressure gauge.

The connection of the pressure gauge is shown in Fig. 30. The standard configuration is that with the air pressure switch connected in absolute mode. Note the presence of a "T" connection, not supplied.

In certain applications in strong depression situations, the connection of the pressure switch does not allow it to change over. In this case it is necessary to connect the pressure switch in differential mode, applying a second tube between the air pressure switch and the fan suction line mouth.

In this case also, the pressure gauge must be connected in differential mode, as shown in Fig. 30.

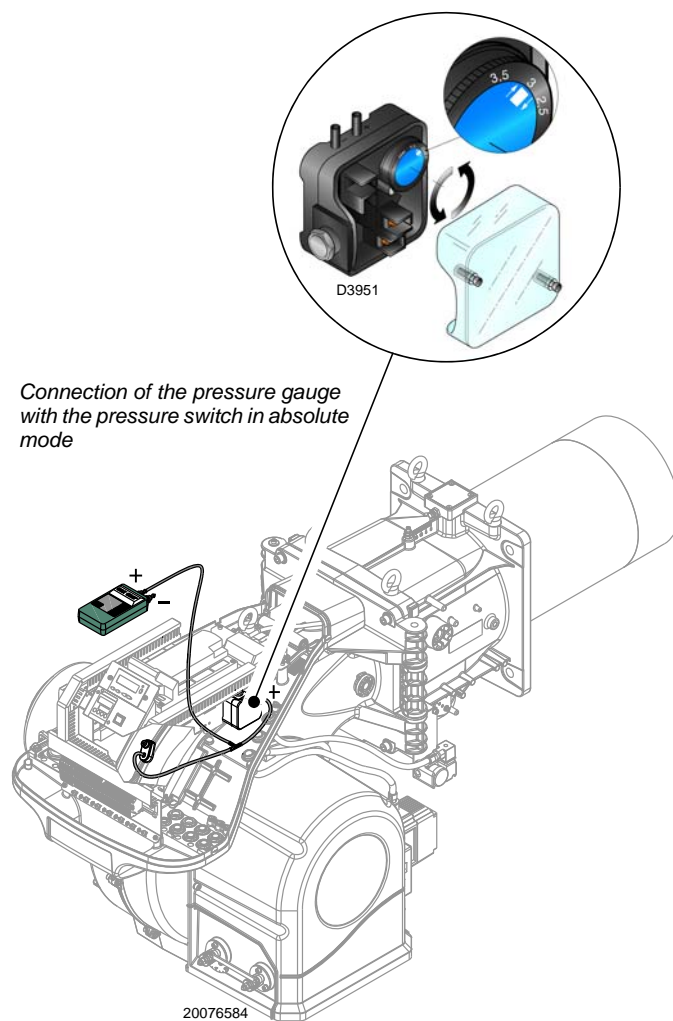


Fig. 30

**6.6 Pressure switch adjustment**

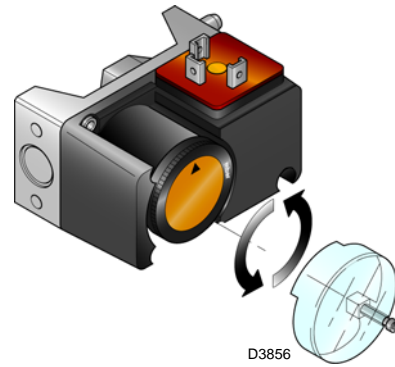
**6.6.1 Maximum gas pressure switch**

Adjust the maximum gas pressure switch (Fig. 31) after performing all other burner adjustments with the maximum gas pressure switch set to the end of the scale.

With the burner operating at maximum output, lower the adjustment pressure by slowly turning the relative knob anticlockwise until the burner locks out.

Now turn the knob clockwise by 2 mbar and repeat burner start-up to ensure it is uniform

If the burner locks out again, turn the knob clockwise again by 1 mbar.



**Fig. 31**

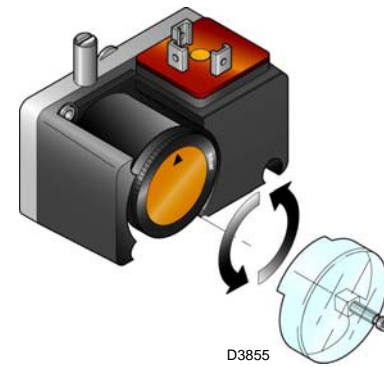
**6.6.2 Minimum gas pressure switch**

Adjust the minimum gas pressure switch (Fig. 32) after performing all the other burner adjustments with the pressure switch set to the start of the scale.

With the burner operating at maximum output, increase adjustment pressure by slowly turning the relative knob clockwise until the burner stops.

Now turn the knob anticlockwise by 2 mbar and repeat burner start-up to ensure it is uniform.

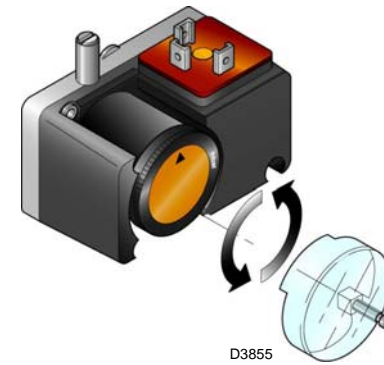
If the burner locks out again, turn the knob anticlockwise again by 1 mbar.



**Fig. 32**

**6.6.3 PVP pressure switch kit**

Adjust the pressure switch for the leak detection control (PVP kit)(Fig. 33) according to the instructions supplied with the kit.



**Fig. 33**

**6.7 Visualisation and programming mode**

**6.7.1 Normal mode**

The Normal mode is the standard operation mode visualised on the operator panel display. It is the main level of the menu.

- Visualises the operation conditions and allows you to modify the operation point of the burner manually.
- It does not require any use of the keys of the Operator Panel.
- It allows access to the other visualisation and programming modes.

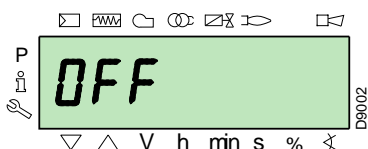
From Normal mode you can access other levels:

- Info mode (**InFo**)
- Service mode (**SEr**)
- Parameter mode (**PArA**)

Some examples in the standard conditions are given below.

**6.7.1.1 Burner in stand-by display**

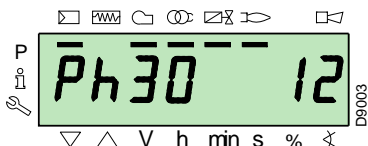
The burner is in the heat request waiting mode, or the selector "0-1" (Fig. 29 on page 31) is at "0".



**6.7.1.2 Display during starting / stopping**

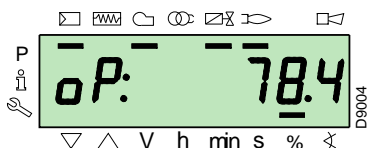
The display visualises the various phases of the start-up, ignition and switch-off of the burner.

In the example, the display indicates that the burner is in **Phase 30** (see diagram Fig. 34) and there are 12 seconds until the next phase.



**6.7.1.3 Display of the work position**

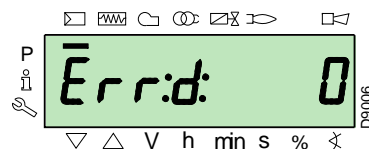
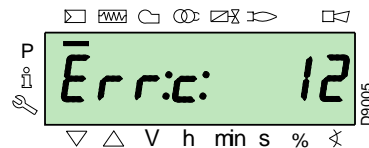
The burner is working in the requested load position (in the example alongside, **78.4%**).



**6.7.1.4 Error state message, display of the errors and information**

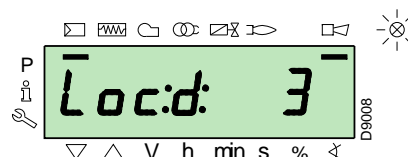
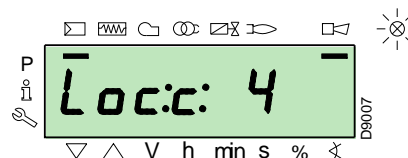
The display visualises alternately the error code (in the example **c: 12**) and the relative diagnostic (in the example **d: 0**).

The system goes into safety mode and the message shown in the next figure appears.

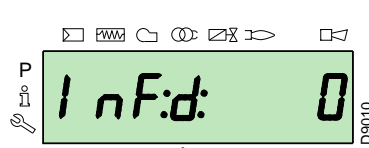
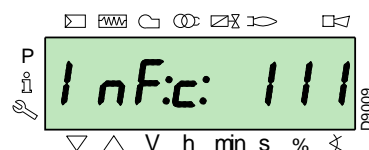


The burner goes into lockout.

The display visualises alternately the lockout code (in the example alongside **c: 4**) and the relative diagnostic (in the example **d: 3**). The red lockout lamp is on.

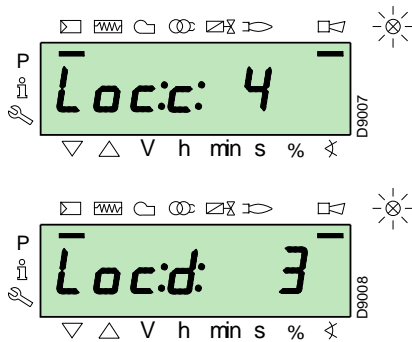


The display visualises alternately an error code and a diagnostic, which does not take the system into safety mode.

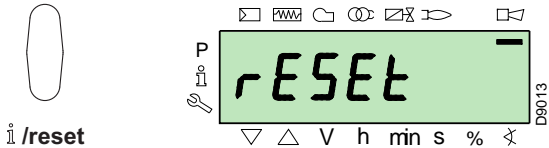


**6.7.1.5 Reset procedure**

The burner is in lockout when the red indicator light on the operator panel is lit up, and the display visualises the lockout code (in the example alongside **c: 4**) and the relative diagnostics (in the example **d: 3**) alternately.



To reset, press the “i/reset” key for 1 s: the display will show “rESEt”. When the key is released, the lockout signal will disappear and the red indicator light will switch off. The control box is reset.



**6.7.1.6 Manual lockout procedure**

If necessary, it is possible to manually block the control box and, consequently, the burner, by pressing the key “i/reset” simultaneously with any other key of the operator panel.

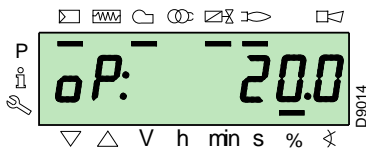


With the selector “0-1” (Fig. 29 on page 31), the burner does not stop immediately, but the switch-off phase is activated.

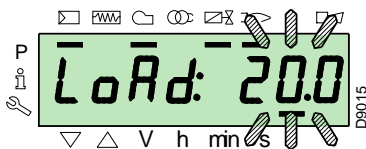
**6.7.1.7 Manual operation procedure**

After the adjustment of the burner and the setting of the points on the modulation curve, it is possible to manually check the operation of the burner along the entire curve.

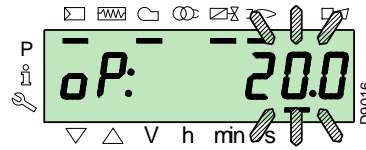
Example:  
the burner is working at the requested load percentage: 20%.



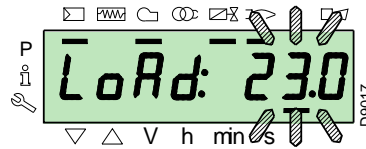
Press the “F” key for 1 second: “LoAd” is displayed and the load percentage flashes.



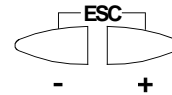
Releasing the “F” key, the standard visualisation appears, with the current load percentage flashing: this means that the burner is working in Manual mode (any outside adjustment is excluded and only the safety devices are active).



Keep the “F” key pressed and, with the keys “+” or “-”, increase or decrease the load percentage.



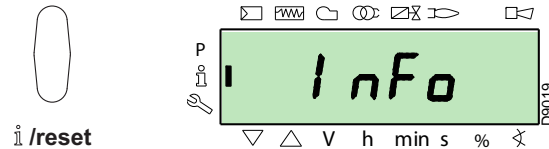
To exit manual mode, press the keys “+” and “-” (ESC) simultaneously for 3 seconds: the burner will work in Automatic mode and the output will depend on the thermostat/adjustment pressure switch (TR).



**6.7.2 Info mode**

The **Info mode (InFo)** visualises general system information. To access this level you must:

- press the “i/reset” key for 1-3 s.
- Release the key immediately when the display shows “InFo”.



The list of parameters (in the sequence in which they are displayed) is shown in Tab. N.

No.	Parameter
167	Volumetric delivery of fuel in the unit of measurement selected
162	Operation time with flame
163	Operation time
164	No. of resettable ignitions
166	Total no. of ignitions
113	Identification code of the burner
107	Software version
108	Software variation
102	Control box test date
103	Identification code of the control box
104	Identification number of the group of parameters set
105	Version of the group of parameters
143	Reserved
End	

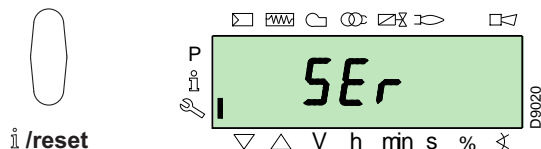
**Tab. N**



**6.7.3 Service mode**

The **Service mode (SEr)** visualises the error log and certain technical information about the system. To access this level you must:

- press the “**i/reset**” key for more than 3 s.
- Release the key immediately when the display shows “**SEr**”.



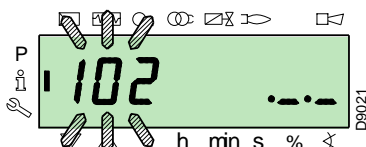
The list of parameters (in the sequence in which they are displayed) is shown in Tab. O.

No.	Parameter
954	Flame intensity (%)
960	Actual fuel which passes in units of volume / h (m <sup>3</sup> /h, l/h, ft <sup>3</sup> /h, gal/h)
121	Manual setting of output Not defined = automatic operation
922	Position of the servomotors (expressed in degrees, symbol $\otimes$ ) 0 = fuel 1 = air
161	Number of errors
701÷725	Log of the errors: 701-725.01, Code

Tab. O

**6.7.3.1 Operating mode on Info Mode and Service Mode**

After access to these levels, the display visualises the number of the parameter (flashing) on the left, and the corresponding value on the right.



If the value is not displayed, press the “**i/reset**” key for a period of 1 to 3 seconds

To return to the Parameter List, press the “**i/reset**” key for more than 3 s, or press the keys “**+**” and “**-**” (**ESC**) simultaneously.

To move on to the next parameter, press the key “**+**” or “**i/reset**” for less than 1s. At the end of the list, the display visualises “**End**”.

To move back to the previous parameter, press the key “**-**”.

To return to the Normal/Standard Visualisation Mode, press the “**i/reset**” key for more than 3 s, or press the keys “**+**” and “**-**” (**ESC**) simultaneously.

For a moment the display will show “**OPeAte**”.

**6.7.4 Parameters Mode**

The **Parameters Mode (PARA)** displays and allows you to modify/programme the parameters list on pag. 46.

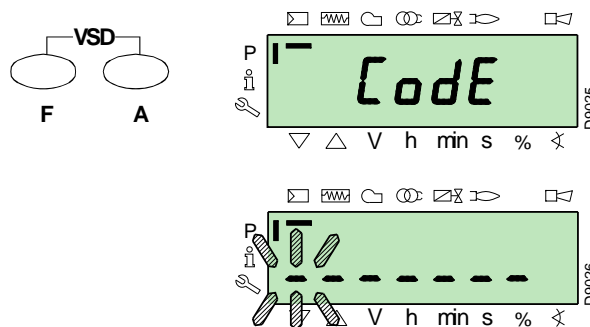
The factory-set parameters are not visible.

To access this level it is necessary to follow the “**Access procedure with password**”.

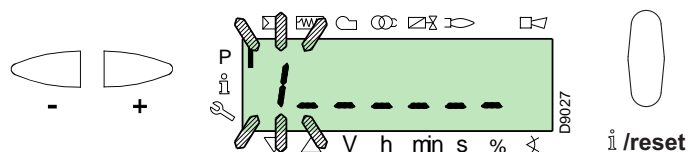
**6.7.4.1 Access procedure with password**

Press the “**F**” and “**A**” keys simultaneously for 1s.

For a moment the display will show “**Code**”, and immediately after you will see 7 dashes, the first one flashing.



With the keys “**+**” and “**-**” select the first character of the password (letter or number), and confirm by pressing the key “**i/reset**”.

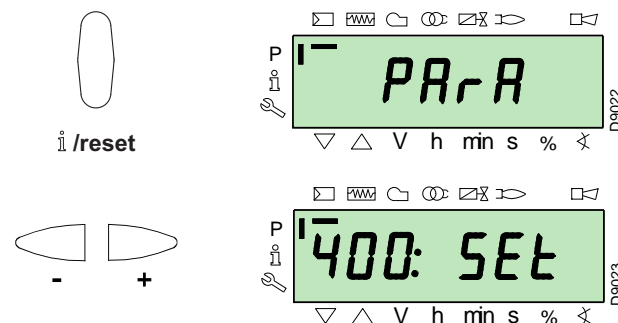


Once you have confirmed, the sign “**-**” will appear.

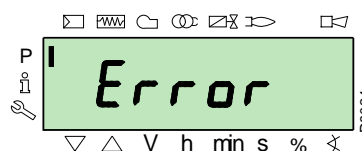
Continue in the same way for the other characters.

After inserting the last character of the password, confirm by pressing the key “**i/reset**”: if the password inserted is correct you will see “**PARA**” for a few seconds, then you can access the various groups of parameters.

With the keys “**+**” and “**-**” select the group you require.



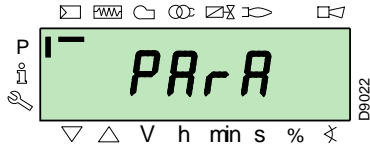
If the password inserted is incorrect, the message “**Error**” will appear for a moment. It is then necessary to repeat the procedure.





The password must only be communicated to the qualified personnel or the Technical Assistance Service, and must be kept in a safe place.

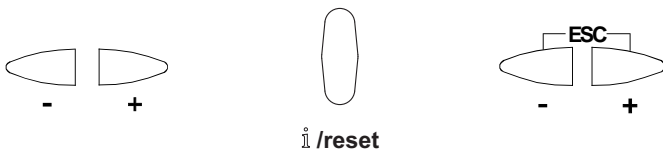
Once the access procedure has been carried out, the display will show "PARA" for a few seconds.



Select the group of parameters with keys "+" and "-", and confirm by pressing the key "i/reset".

Within the group you have chosen, scroll through the list with the keys "+" and "-". At the end of the list, the display visualises "End".

To return to Normal visualisation mode, simultaneously press the keys "+" and "-" (ESC) twice.



**6.7.4.2 Assigning parameter levels**

The parameters level is subdivided into groups as shown in Tab. P.

No.	Parameter
100: ParA	<b>General parameters</b> Information and identification data of the system.
200: ParA	<b>Checks on the burner</b> Type of operation, intervention and safety times of the various phases.
400: Set	<b>Air/fuel modulation curve</b> Setting of air/fuel adjustment points
500: ParA	<b>Positioning of servomotors</b> Choice of positions of the air/fuel servomotors in the various phases.
600: ParA	<b>Servomotors</b> Setting and addressing of the servomotors.
700: HISt	<b>Log of the errors:</b> Choice of different visualisation modes for the errors log.
900: dAtA	<b>Process information</b> Visualisation of information for the remote management of the burner.

**Tab. P**

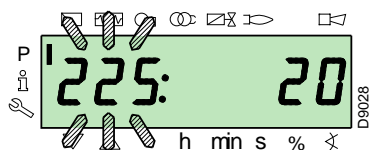


All the parameters are checked in the factory. Modification/tampering may compromise the good operation of the burner and cause injury to people or damage to things. In any case, modifications must be carried out by qualified personnel.

To modify a parameter, refer to the "Parameter modification procedure".

**6.8 Parameter modification procedure**

After accessing the level and group of parameters, the display visualises the number of the parameter (flashing) on the left, and the corresponding value on the right.



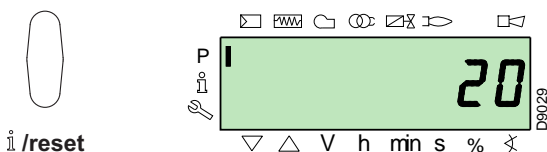
If the value is not visualised, press the key "i/reset for 1 - 3 seconds.

Find below an example of how to modify the parameter relating to the **pre-purging time** (No. 225).

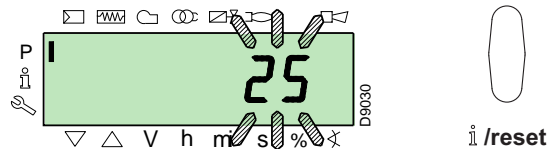
Press the key "i/reset": the value 20 (seconds) will appear.

**NOTE:**

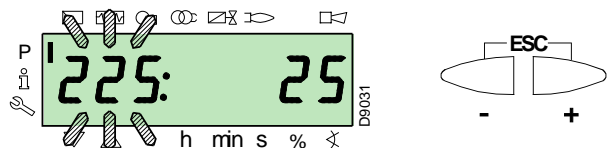
The unit of measurement of the time is not visualised but is understood in seconds.



Press the key "+" and increase the value to 25 seconds (flashing). Press the key "i/reset" to confirm and store.



To return to the list of parameters, press the keys "+" and "-" (ESC) simultaneously.





**6.8.0.1 Procedure for inserting and adjusting points on the modulation curve**

Nine adjustment/calibration points (P1 ÷ P9) can be inserted in the control box for each servomotor, varying their position by degrees and, consequently, the quantity of air and fuel introduced.

The **ignition point P0** is independent of the minimum modulation value. This means that, in the event of difficulty, it is possible to switch on the burner at a value other than the modulation minimum (**P1**).

To access the **Parameter mode** (group 400) referring to the “Access procedure with password” on page 37.

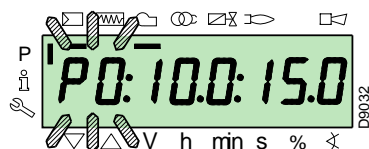
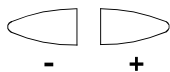
To insert or adjust a point, proceed as follows.

Using the keys “+” and “-” insert/select the curve point you want and wait for it to flash: this means that the servomotors are now positioned on the values shown on the display and which correspond to the point previously set.

It is now possible to insert/modify the position by degrees.



The set value does not require confirmation.



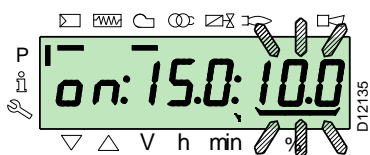
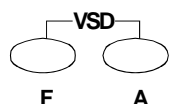
For the fuel servomotor, keep the key “F” pressed (the position in degrees flashes) and press the keys “+” or “-” to increase or decrease the value.



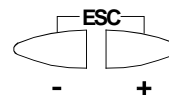
For the air servomotor, keep the key “A” pressed (the position in degrees flashes) and press the keys “+” or “-” to increase or decrease the value.



To adjust the speed of the inverter (expressed in % and that is 50 Hz = 100 %), keep the buttons “F” and “A” simultaneously pressed, the percentage position blinks and press buttons “+” or “-” to increase or decrease the value.



Select another point, or exit this area by pressing the keys “+” and “-” (**ESC**) simultaneously.



**6.8.0.2 CALC function**

The diagram (Fig. 34) shows how the fuel modulation curve is modified if the values of point “P5” are changed.

By keeping the “+” key pressed for more than 3 s, the points from “P6” to “P8” are recalculated.

By keeping the “-” key pressed for more than 3 s, the points from “P4” to “P2” are recalculated.

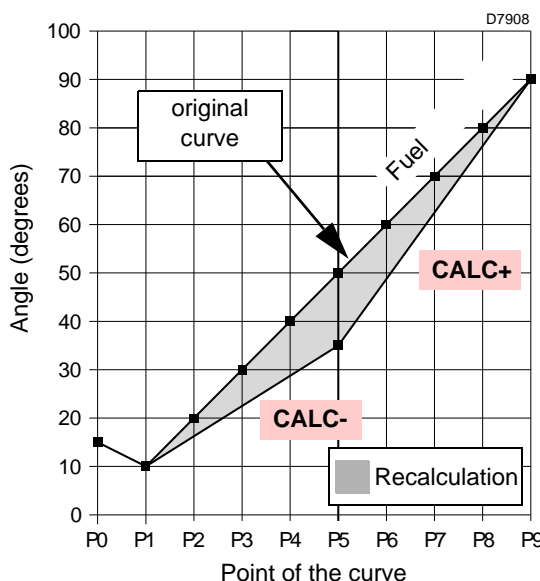


Fig. 34

The diagram of (Fig. 35) shows the fuel modulation curve when, after the modification of point “P5”, the recalculation of all the other points is not carried out.

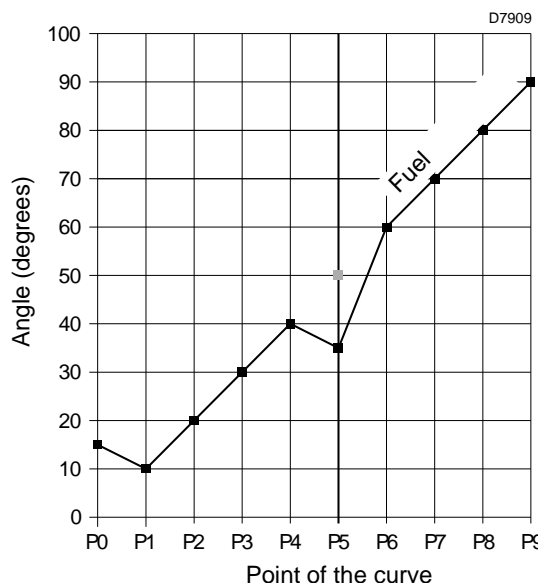


Fig. 35

**6.8.1 Modify "acceleration- deceleration train" parameter**

The burner leaves the factory with the parameters **522** (acceleration) and **523** (deceleration) already set.

If the operator needs to modify them, proceed as follows:

Access the Parameters Level referring to see "Access procedure with password" on page 37.

Using the "+" key select the parameters group **500**:



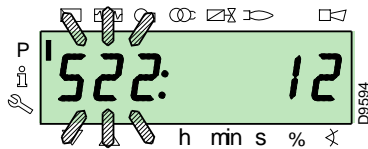
Using the "+" key select the parameters group **522 (acceleration)**:

press the "info" key to change parameter **522**.

The set value must be at least 20% **greater than the ACCELERATION TRAIN** parameter of the inverter.



Example:  
522 at 12s ----> inverter parameter at 10s  
522 at 10s ----> inverter parameter at 8s



With the key "+"



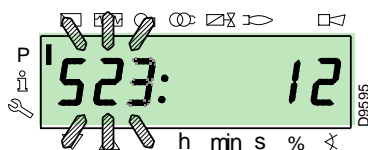
Select the parameter **523 (deceleration)**:

press the "info" key to change parameter **523**.

The set value must be at least 20% **greater than the DECELERATION TRAIN** parameter of the inverter.



Example:  
523 at 12s ----> inverter parameter at 10s  
523 at 10s ----> inverter parameter at 8s



**6.8.2 Modify the parameter for continuous/ intermittent operation (FS2/FS1)**

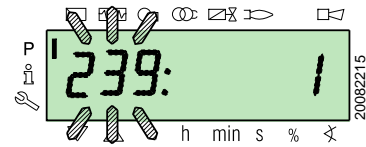
The burner leaves the factory with parameter **239** set at "1". This means that the burner is ready for intermittent operation (**FS1**).

In the event that continuous operation (**FS2**) is required, proceed as follows:

access the Parameter Level referring to "Access procedure with password" on page 37, with the "+" key select the parameters group **200**:



With the "+" key select the parameter **239** and then follow the procedure for changing a parameter on page 38 to set the value 0 (FS2).



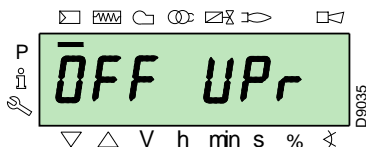
For details on the type of operation, see "Electrical wiring" on page 29.



For the burners in the RS 310-410-510- 610/ EV series, continuous operation (FS2) is allowed only with an ionisation type of flame detector. Therefore the UV sensor kit is not permitted.

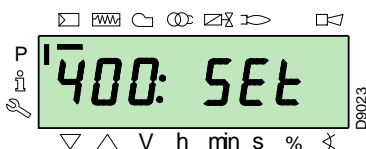
**6.9 Start-up procedure**

Check that the operator panel display shows the heat request and **“OFF Upr”**: this means it is necessary to set the modulation curve of the burner.



Access the Parameters Level referring to “Access procedure with password” on page 37.

The display screen displays the parameters group **400**.



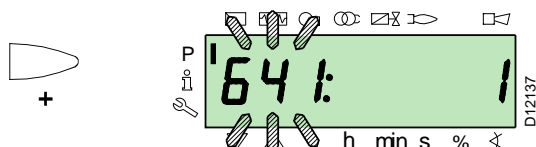
Press the **“+”** button and select the parameters group **600**:



Confirm with the key **“i/reset”**



Scroll the parameters with the **“+”** button, until parameter **641** (VSD speed standardisation) is selected.



Set parameter **641 = 1**.

Press the **“i/reset”** key, start the “VSD speed standardisation” phase.



See the specific manual for the correct inverter parametrization.

The air servometer opens the damper at 90° and simultaneously begins the inverter start phase when the speed/frequency max is reached.

**Phase 22:**

Start of the fan motor.

If the standardisation operation is successful, the parameter is reset to 0.

Negative values indicate errors.

**Phase 24:**

The burner goes to the pre-purging position, the air servomotor opens the damper at 90°.

**Phases 80, 81, 82, 83:**

These phases relate to the valve seal test.

**Phase 30:**

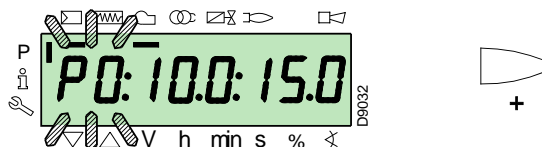
The count of the pre-purging time pre-set in the factory begins.

**Phase 36:**

The burner goes to its switch-on position, point **“P0”**, defined in Tab. Q on page 42: the display shows a flashing **“P0”** indication.

If the value proposed is adequate, **confirm using the “+” button**.

Otherwise, modify the ignition point (see the section “Procedure for inserting and adjusting points on the modulation curve” on page 39).



The values shown in the figure are purely for indication purposes.

**Phase 38:**

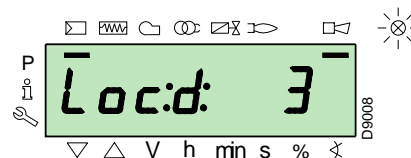
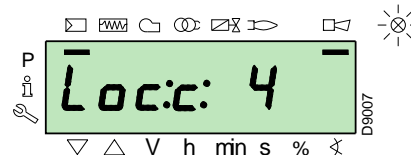
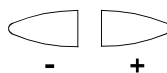
The ignition phase begins and the spark goes off.

**Phase 40:**

The gas valves open (the count of the safety time begins). Using the appropriate visor check there is a flame and that the combustion parameters are correct.

If necessary, vary the degrees of opening/closing of the air, fuel and VSD servomotors.

If the control box goes into lockout, press the keys **“+”** and **“-”** (**ESC**) simultaneously: the display visualises alternately the lock-out code for flame absence **c: 4**) and the relative diagnostic **(d: 3)**.



Solve the problem, referring to the paragraph "Ignition failure" on page 50.

To unlock, see "Reset procedure" on page 36. The display visualises "OFF Up".

Repeat the "Start-up procedure".



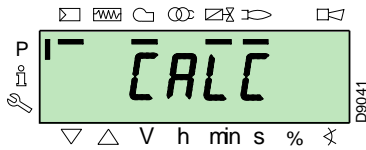
**WARNING**

The values previously inserted remain stored.

Once the ignition has occurred (point "P0"), proceed with the calibration of the modulation curve.

Press the button "+": the display visualises the indicator "P1" flashing and proposes the same settings as point "P0".

Press button "+" again: the display shows "CALC" for a few seconds.



The control box will automatically report the same values set in points "P0" and "P1" at points "P2" to "P8".



**IMPORTANT**

The purpose of this is to reach point "P9" to regulate/determine the maximum operation output.

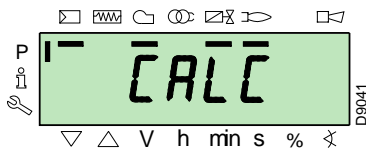
Press "+" until point "P9" is reached.

Once point "P9" is reached wait for the display to show the flashing indicator "P9" proposing the same settings as point "P0".

Now it is possible to change this value to obtain the maximum operating power desired.

If the gas pressure is insufficient, despite opening the gas servomotor to a maximum of 90°, it is necessary to use the gas valve stabiliser.

After adjusting point "P9" keep the "-" key on the display pressed for about 5 seconds, "CALC" appears for a few seconds.



The control box will automatically calculate the points from "P8" to "P2", distributing them in a straight line. These are theoretical and must be checked.

Check that the settings of point "P8" are adequate.

If not, modify the point.

Proceed in sequence, with the "-" button, up to point "P1".

It is possible to modify point "P1" to obtain a minimum modulation point different to the ignition point ("P0").



**IMPORTANT**

Before moving on from one point to the next, wait for the servomotors to reach the position visualised on the display.

During the adjustment of each point, work on the air and gas servomotors, without modifying the position of the gas valve stabiliser.

Halfway through the procedure (i.e. around point P4 or P5), you are advised to measure gas delivery and check that the output is about 50% of the maximum output.

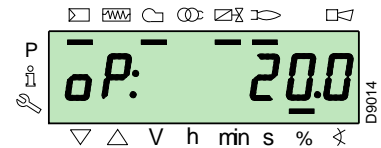
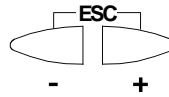
If this is not the case, work also on the gas valve stabiliser: in this case however, it is necessary to revise the calibrations of all the points previously set.

Once the calibration of point "P1" is completed, confirm by pressing the keys "+" and "-" (ESC) simultaneously: parameter "546" will appear.

If you want to make the burner work on the entire modulation curve, press the "+" and "-" (ESC) keys simultaneously: in this way, parameter "546" will automatically be assigned the value of 100% and parameter "545" will have a value of 20%.

If you want to make the burner work on just a part of the modulation curve, modify the parameters "546" and "545" according to the "Parameter modification procedure" on page 38.

Press the keys "+" and "-" (ESC) simultaneously twice, the display will show the current load position.



**Factory settings**

Point of the curve		Burner			
		RS 310/EV	RS 410/EV	RS 510/EV	RS 610/EV
P0	air	5°	5°	5°	13°
	gas	15°	15°	15°	25°
	VSD	70%	70%	70%	70%

**Tab. Q**



**WARNING**

At the end of the "Start-up procedure" it is necessary to carry out a "Backup", which is used to memorise the parameters and the data in the control box within the display RDI21...

This operation allows the parameters and the points of the modulation curve to be restored in the event of problems.

It is advisable to perform a backup every time that a parameter is changed!

For the procedure see "Backup" on page 43.

### 6.10 Backup / Restore procedure

At the end of the "Start-up procedure" it is wise to carry out a backup, creating a copy of the data memorised on the REC, in the RDI 21 display panel.

This will allow the data to be used for programming a new REC or to return to the memorised settings of the same REC.



We suggest that this operation be carried out at the end of any intervention that involves modifications to what has been set on the cam.

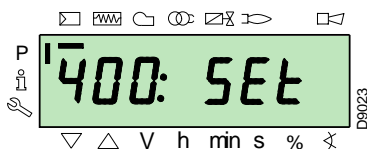
This will allow you to carry out a restore in a simple manner on a new cam supplied as a replacement part, without having to reprogramme the system.

#### 6.10.1 Backup

To perform the backup, proceed as follows:

- access the Parameters Level referring to "Access procedure with password" on page 37 .

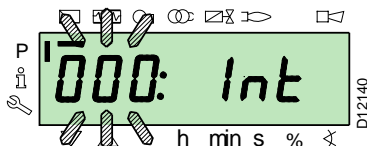
The display screen displays the parameters group 400.



With the key "-":



Select the parameters group 000:

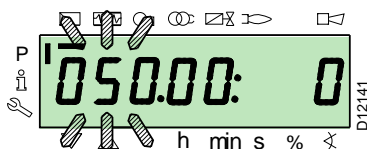


The 000 parameter blinks, confirm using the "i/reset" key:



i /reset

The display screen shows parameter 050 blinking:

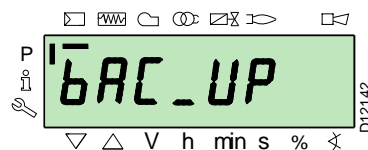


Confirm with the key "i/reset":



i /reset

The parameter **bAC\_UP** appears on the display screen:



confirm with the key "i/reset":



i /reset

The display screen shows the following value:

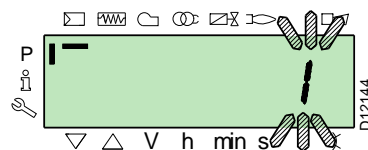


Use the button "+":



+

The value will be set to 1. Value 1 is flashing:

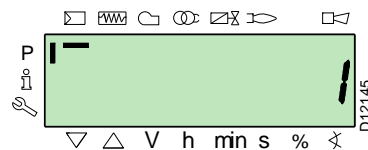


confirm with the button "i/reset" to activate the **backup** process.



i /reset

The value 1 appears on the display screen:



After approx 5 seconds (it depends on the duration of the programme), the 0 value appears on the display screen, this is to indicate that the backup process has been completed correctly.



**NOTE:**

If an error occurs during the backup process, the display screen shows a negative value.  
Refer to diagnostic code 137 to determine the cause of the error (see section "List of error codes" on page 55).



It is advisable to perform a backup every time that a parameter is changed, after checking that the modification carried out is correct.

**6.10.2 Restore**



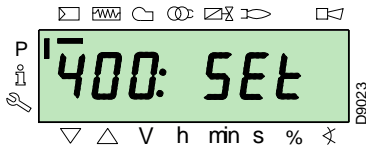
Use this procedure when replacing equipment with a parts code. In this way it is possible to have the default parameters already memorised or those memorised during the start-up.

**This procedure cannot be carried out on equipment coming from other burners.**

To perform the restore procedure, proceed as follows:

- access the Parameters Level referring to "Access procedure with password" on page 37 .

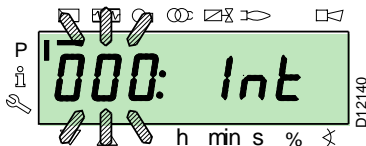
The display screen displays the parameters group **400**.



With the key "-":



Select the parameters group **000**:

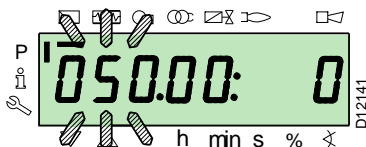


The **000** parameter blinks, confirm using the "i/reset" key:



i /reset

The display screen shows parameter **050** blinking:

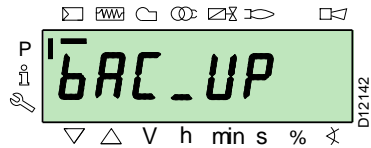


Confirm with the key "i/reset":



i /reset

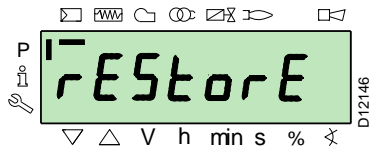
The parameter **bAC\_UP** appears on the display screen:



With the key "+":



select the **rEStorE** parameter

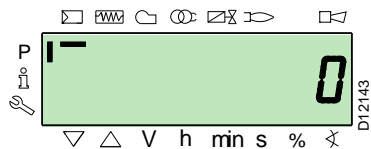


Confirm with the key "i/reset":



i /reset

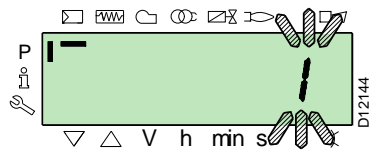
The display shows the following value.



Use the button "+":



The value will be set to 1. Value 1 is flashing:



confirm with the button "i/reset" to activate the restore process.

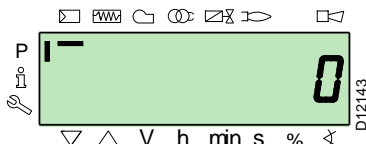


i /reset

The value **1** appears on the display screen:



After approx 8 seconds (it depends on the duration of the programme), the **0** value appears on the display screen, this is to indicate that the restore process has been completed correctly.



**NOTE:**

When the restore process is successfully completed, the **0** value is shown on the display screen.

Err C information: 136 D: 1 (restore process initialised) is displayed for a brief moment.



**IMPORTANT**

At the end of the restore process, it is necessary to check the sequence of functions and the list of parameters.

**NOTE:**

If an error occurs during the backup process, the display screen shows a negative value.

Refer to diagnostic code 137 to determine the cause of the error (see section “List of parameters” on page 46).



**WARNING**

It is advisable to perform a backup every time that a parameter is changed, after checking that the modification carried out is correct.

**6.10.3 List of parameters**

Parameter		No. of elements	Unit of measurement	Modification	Values interval		Degree of precision	Predefined setting	Access mode
No.	Description				Min.	Max.			
<b>000 INTERNAL PARAMETERS</b>									
050	Start backup/restore process via RDI21... / PC TOOL (set the parameter to 1) Index 0 = create backup Index 1 = perform restore Negative values indicate errors	2	-	Modification	-99	2	1	0; 0	Service mode
055	Burner identification number created from the backup on RDI21...	1	-	Reading only	0	99999999	1	0	Service mode
056	ASN number created by the backup on RDI21...	8	-	Reading only	0	127	1	0	Service mode
057	Software Version created by the backup on RDI21...	1	-	Reading only	0x100	0xFFFF9	1	0	Service mode
<b>100 GENERAL PARAMETERS</b>									
102	Control box identification date	1	-	Reading only	0	255	1		Info mode
103	Control box identification number	1	-	Reading only	0	65535	1		Info mode
104	Identification number of the group of parameters set	1	-	Reading only	0	255	1	30	Info mode
105	Version of the group of parameters set	1	-	Reading only	0	0xFFFF	1	V 01.08	Info mode
107	Software version	1	-	Reading only	0	0xFFFF9	1	V 03.30	Info mode
108	Software variation	1	-	Reading only	0	225	1	1	Info mode
111	ASN number to verify the ASN number created by the backup on RDI 21...	8	-	Reading only	0	127	1	0	Service mode
113	Burner identification	1	-	Modification	0	99999999	1	Not defined	Info Mode with password Service Mode
121	Manual setting of output Not defined = automatic operation	1	%	Modification / zero setting	0%	100%	0.1%	Not defined	Info mode
123	Minimum output step position Index 0: BACS output Index 1: output of the external load regulator, analogue. Index 2: output of the external load regulator contacts.	3	%	Modification	0%	100%	0.1%	0% ; 1%; 0%	Service mode
124	Beginning flame loss test (TÜV test)(define the parameter at 1)(switch of flame loss fuel valves) A negative value indicates an error (see code 150)	1	-	Modification	-6	1	1	0	Service mode
125	Frequency of main power supply 0 = 50 Hz 1 = 60 Hz	1	-	Modification	0	1	1	0	Service Mode
126	Brightness of display	1	%	Modification	0%	100%	1%	75%	Service Mode
128	Fuel meter: Led pulse valence (led pulses / volumetric flow units)	1	-	Modification	0	400	0,01	0	Service Mode
130	Eliminate visualisation error chronology To eliminate the visualisation, set the parameter to 1, then to 2 Answer 0: process successful Answer -1: timeout of 1_2 - sequence	1	-	Modification	-5	2	1	0	Service Mode
133	Default output for TÜV test: Not valid for TÜV test when output is activated 2,000 ..... 10,000 = low flame or first / second / third stage	1	%	Modification / zero setting	20%	100%	0.1%	Not defined	Service Mode
141	Remote management of control box 0 = off 1 = Modbus 2 = reserved	1	-	Modification	0	2	1	0	Service Mode
142	Standby time before a new attempt in event of communication fault Set values: 0 = not active 1 = .... 7200 s	1	s	Modification	0s	7200s	1s	120s	Service Mode
143	Reserved	1	-	Modification	1	8	1	1	Info Mode
144	Reserved	1	s	Modification	10s	60s	1s	30s	Service Mode
145	Peripheral address for Modbus Set values: 1 ... 247	1	-	Modification	1	247	1	1	Service Mode
146	Baud Rate for Modbus Set values: 0 = 9600 1 = 19200	1	-	Modification	0	1	1	1	Service Mode



Parameter		No. of elements	Unit of measurement	Modification	Values interval		Degree of precision	Predefined setting	Access mode
No.	Description				Min.	Max.			
147	Parity for Modbus 0 = none 1 = odd 2 = even	1	-	Modification	0	2	1	0	Service Mode
148	Selection of the burner operation during the interruption of the switch-over with the system of remote management. With <b>modulating operation</b> the settings of the values are the following: 0...19.9 = burner switched off 20...100 = 20...100% modulation field of the burner. With <b>stage operation</b> : 0 = burner off P1, P2, P3 No setting = no function in the event of communication interruption	1	%	Modification / zero setting	0%	100%	0.1%	Not defined	Service Mode
161	Total number of errors	1	-	Reading only	0	65535	1	0	Info mode
162	Hours of operation (that can be reset)	1	h	Reset	0 h	999999h	1 h	0h	Info mode
163	Total hours of power supply to control box	1	h	Reading only	0h	999999h	1h	0h	Info mode
164	Total number of start-ups (that can be reset)	1	-	Reset	0	999999	1	0	Info mode
166	Total number of start-ups	1	-	Reading only	0	999999	1	0	Info mode
167	Volumetric delivery of fuel in the selected unit of measurement (that can be reset)	1	m <sup>3</sup> , l, ft <sup>3</sup> , gal	Reset	0	99999999	1	0	Info mode
<b>200 BURNER CHECKS</b>									
201	Burner operation mode (fuel supply line, modulating/ stage, servomotors, etc.) -- = not defined (eliminate curves) 1 = Gmod 2 = Gp1 mod 3 = Gp2 mod 4 = Lo mod 5 = Lo 2 stage 6 = Lo 3 stage 7 = Gmod pneu 8 = Gp1 mod pneu 9 = Gp2 mod pneu 10 = LoGp mod 11 = LoGp 2-stage 12 = Lo mod 2 fuel valves 13 = LoGp mod 2 fuel valves 14 = G mod pneu without actuator 15 = Gp1 mod pneu without actuator 16 = Gp2 mod pneu without actuator 17 = Lo 2-stage without actuator 18 = Lo 3-stage without actuator 19 = G mod only gas actuator 20 = Gp1 mod only gas actuator 21 = Gp2 mod only gas actuator 22 = Lo mod only oil actuator	1	-	Modify/set to zero	1	22	1	Not defined	Service Mode
208	Stopping of the program 0 = deactivated 1 = pre-purging (Ph24) 2 = Ignition (Ph36) 3 = Interval 1 (Ph44) 4 = Interval 2 (Ph52)	1	-	Modification	0	4	1	0	Service Mode
210	Alarm as the pre-purging phase begins; 0 = Deactivated; 1 = Activated	1	-	Modification	0	1	1	0	Service Mode
211	Uphill train fan motor	1	s	Modification	2s	60s	0.2s	2s	Service Mode
212	Maximum time to reach low flame	1	s	Modification	0.2s	10 min	0.2s	45s	Service Mode
215	Maximum repeats of safety circuit 1 = No repetition 2...15 = Number of repetitions 16 = Constant repetitions	1	-	Modification	1	16	1	16	Service Mode
221	Gas: selection of flame sensor 0 = QRB.../ QRC 1 = ION / QRA	1	-	Modification	0	1	1	1	Service Mode
222	Gas: Selection of the pre-purging function 0 = deactivated 1 = activated	1	-	Modification	0	1	1	1	Service Mode

Parameter		No. of elements	Unit of measurement	Modification	Values interval		Degree of precision	Predefined setting	Access mode
No.	Description				Min.	Max.			
223	Maximum repeats of minimum gas pressure switch intervention 1 = No repetition 2...15 = Number of repetitions 16 = Constant repetitions	1	-	Modification	1	16	1	16	Service Mode
225	Gas: pre-purging time	1	s	Modification	20s	60 min	0.2s	20s	Service Mode
226	Gas: pre-ignition time	1	s	Modification	0.4 s	60 min	0.2s	2s	Service Mode
230	Gas: interval 1	1	s	Modification	1s	60s	0.2s	2s	Service Mode
232	Gas: interval 2	1	s	Modification	0.4 s	60s	0.2s	2s	Service Mode
233	Gas: post-combustion time	1	s	Modification	0.2s	60s	0.2s	8s	Service Mode
234	Gas: Post-purging time (no extraneous light test)	1	s	Modification	0.2s	108 min	0.2s	0.2s	Service Mode
236	Gas: Minimum gas pressure switch input 0 = deactivated 1 = minimum gas pressure switch (upstream of the fuel valve 1 (V1)) 2 = valve control via the minimum pressure switch (between fuel vale 1 (V1) and 2 (V2))	1	-	Modification	1	2	1	1	Service Mode
237	Gas: Maximum gas pressure switch / POC Input 0 = deactivated 1 = Maximum gas pressure switch 2 = POC	1	-	Modification	1	2	1	1	Service Mode
239	Gas: Intermittent operation 0 = deactivated 1 = activated	1	-	Modification	0	1	1	1	Service Mode
241	Gas: Valve leak detection test 0 = test deactivated 1 = valve leak detection test at start up 2 = valve leak detection test at shutdown 3 = valve leak detection test at start-up and at shutdown	1	-	Modification	0	3	1	2	Service Mode
248	Gas: Post-purging time (t3)(at deactivation of the load (LR)) - ON	1	s	Modification	1s	108 min	0.2s	1s	Service Mode
261	Oil: selection of flame sensor 0 = QRB../ QRC... 1 = ION / QRA...	1	-	Modification	0	1	1	0	Service Mode
265	Oil: pre-purging time	1	s	Modification	15s	60 min	0.2s	15s	Service Mode
266	Oil: pre-ignition time	1	s	Modification	0.6s	60 min	0.2s	2s	Service Mode
270	Oil: interval 1	1	s	Modification	0.4 s	60 min	0.2s	2s	Service Mode
272	Oil: interval 2	1	s	Modification	0.4 s	60 min	0.2s	2s	Service Mode
273	Oil: post-combustion time	1	s	Modification	0.2s	60s	0.2s	8s	Service Mode
274	Oil: Post-purging time (no extraneous light test)	1	s	Modification	0.2s	108 min	0.2s	0.2s	Service Mode
276	Oil: Minimum input oil pressure switch 0 = deactivated 1 = activated from phase 38 2 = activated from safety time (TSA)	1	-	Modification	1	2	1	1	Service Mode
277	Oil: Maximum oil pressure switch / POC Input 0 = deactivated 1 = Maximum oil pressure switch 2 = POC	1	-	Modification	1	2	1	1	Service Mode
279	Oil: Intermittent operation 0 = deactivated 1 = activated	1	-	Modification	0	1	1	1	Service Mode
281	Oil: selection transformer ignition phase TA 0 = brief pre-ignition (Ph38) 1 = long pre-ignition (with fan)(Ph22)	1	-	Modification	0	1	1	1	Service Mode
284	Oil: Post-purging time (t3)(at deactivation of the load (LR)) - ON	1	s	Modification	1s	108 min	0.2s	1s	Service Mode
<b>400 AIR / FUEL MODULATION CURVES</b>									
401	Checking servomotor fuel (only curve setting)	13	(°)	Modification	0°	90°	0.1°	0°; 0°; 15°; Not defined	Service Mode
402	Checking servomotor air (only curve setting)	13	(°)	Modification	0°	90°	0.1°	0°; 90°; 45°; Not defined	Service Mode
403	VSD control curve ratio (only curve setting)	13	(°)	Modification	20°	100°	0.1°	0°; 100°; 50°; Not defined	Service Mode
<b>500 POSITIONING OF SERVOMOTORS</b>									

Parameter		No. of elements	Unit of measurement	Modification	Values interval		Degree of precision	Predefined setting	Access mode
No.	Description				Min.	Max.			
501	Position of the fuel servomotor in absence of flame Index 0 = standby position Index 1 = pre-purging position Index 2 = post-purging position	3	(°)	Modification	0°	90°	0.1°	0°; 0°; 15°	Service Mode
502	Position of the air servomotor in absence of flame Index 0 = standby position Index 1 = pre-purging position Index 2 = post-purging position	3	(°)	Modification	0°	90°	0.1°	0°; 90°; 45°	Service Mode
503	VSD speed without flame Index 0 = standby speed Index 1 = pre-purging speed Index 2 = post-purging speed	3	(°)	Modification	0°	100°	0.1°	0°; 100°; 50°	Service Mode
522	Acceleration	1	s	Modification	5 s	20s	1s	10s	Service Mode
523	Deceleration	1	s	Modification	5 s	20s	1s	10s	Service Mode
542	VSD/PWM activation 0 = Deactivated 1 = Activated	1	-	Modification	0	1	1	0	Service Mode
545	Minimum modulation limit Not defined = 20%	1	%	Modification / zero setting	20%	100%	0.1%	Not defined	Service Mode
546	Maximum modulation limit Not defined = 100%	1	%	Modification / zero setting	20%	100%	0.1%	Not defined	Service Mode
<b>600 SERVOMOTORS</b>									
606	Tolerance limit for position check (0.1°) Index 0 = fuel Index 1 = air More serious position error, where a defect has certainly been detected -> Stop range: (P 606 - 0.6°) a P606	2	(°)	Modification	0.5°	4°	0.1°	1.7°; 1.7°	Service Mode
641	VSD speed standardisation control Negative value error diagnostics (see error code 82) 0 = standardisation deactivated 1 = Standardisation active	1	-	Modification	-25	1	1	0	Service Mode
642	Standardised speed Index 0 = speed 1 Index 1 = speed 2	2	-	Reading only	650	6500	0.1	Not defined	Service Mode
645	Analogue exit configuration 0 = DC 0...10 V 1 = DC 2...10 V 2 = DC 0 / 2...10 V	1	-	Modification	0	2	1	2	Service Mode
<b>700 LOG OF THE ERRORS</b>									
701	Error chronology: 701-725.01.Code	25	-	Reading only	0	255	1	0	Info mode
	• Error chronology: 701-725.02.Diagnostic code	25	-	Reading only	0	255	1	0	Info mode
	• Error chronology: 701-725.03.Error class	25	-	Reading only	0	6	1	0	Info mode
	• Error chronology: 701-725.04.Phase	25	-	Reading only	0	255	1	0	Info mode
	• Error chronology: 701-725.05.Start-up meter	25	-	Reading only	0	99999999	1	0	Info mode
725	Error chronology: 701-725.06.Load	25	%	Reading only	0%	100%	0.1%	0%	Info mode
<b>900 PROCESS INFORMATION</b>									
903	Actual output Index 0 = fuel Index 1 = air	2	%	Reading only	0%	100%	0.1%	0%	Info mode
922	Position of the servomotors Index 0 = fuel Index 1 = air	2	(°)	Reading only	-50°	150°	0.01°	0°	Info mode
935	Absolute speed	1	-	Reading only	0	6553,5	0,1	0	Service mode
936	Standardised speed	1	%	Reading only	-200%	200%	0.1%	0%	Info mode
942	Heat source active 1 = output during the definition of the curves 2 = manual output 3 = BACS output 4 = analogue input output 5 = output of the external load regulator contacts	1	-	Reading only	0	255	1	0	Service mode

Parameter		No. of elements	Unit of measurement	Modification	Values interval		Degree of precision	Predefined setting	Access mode
No.	Description				Min.	Max.			
947	Result of the sampling of the contact (codified in bits) Bit 0.0 = 1: Minimum pressure switch Bit 0.1 = 2: Maximum pressure switch Bit 0.2 = 4: Pressure switch control valves Bit 0.3 = 8: Air pressure switch Bit 0.4 = 16: Open load check Bit 0.5 = 32: ON load check Bit 0.6 = 64: Closed load check Bit 0.7 = 128: Safety circuit Bit 1.0 = 1: Safety valve Bit 1.1 = 2: Ignition Bit 1.2 = 4: Fuel valve 1 Bit 1.3 = 8: Fuel valve 2 Bit 1.4 = 16: Fuel valve 3/ pilot valve Bit 1.5 = 32: Reset	2	-	Reading only	0	255	1	0	Info mode
950	Relay request status (coded in bits) Bit 0 = 1: Alarm Bit 1 = 2: Safety valve Bit 2 = 4: Ignition Bit 3 = 8: Fuel valve 1 Bit 4 = 16: Fuel valve 2 Bit 5 = 32: Fuel valve 3/ pilot valve	1	-	Reading only	0	255	1	0	Info mode
954	Flame intensity	1	%	Reading only	0%	100%	1%	0%	Info mode
960	Actual output	1	m <sup>3</sup> /h, l, h, ft <sup>3</sup> /h, gal/h	Reading only	0	6553,5	0,1	0	Info mode
961	Status of external modules and visualisation	1	-	Reading only	0	255	1	0	Info mode
981	Memory error: Code	1	-	Reading only	0	255	1	0	Info mode
982	Memory error: diagnostic code	1	-	Reading only	0	255	1	0	Info mode
992	Error indicators	10	-	Reset	0	0xFFFFFFFF FF	1	0	Service mode

**Tab. R**

**6.11 Operation**

**Burner without modulating operation kit**

Once the start-up cycle is completed, the servomotor command moves on to the thermostat/pressure switch TR that controls the pressure or the temperature in the boiler.

- If the temperature or the pressure is low (so the thermostat/pressure switch TR is closed), the burner progressively increases the output as far as the MAX value (point “P9”).
- If the temperature or the pressure increases as far as the opening of the thermostat/pressure switch TR, the burner progressively reduces the output as far as the MIN value

(point “P1”),. The sequence repeats endlessly.

- The burner stops when the heat request is less than the heat supplied by the burner at MIN output.
- The thermostat/pressure switch TL opens, the control box carries out the switching off phase.
- The air damper closes completely to reduce heat losses to a minimum.

**Burner with modulating operation kit**

See manual enclosed with the adjuster kit.

**6.12 Ignition failure**

If the burner does not switch on, there is a lockout within 3s of the electrical supply reaching the gas valve.

It may be that the gas does not arrive at the combustion head within the safety time of 3s.

In this case increase gas ignition flow rate. The arrival of gas to the pipe coupling is displayed on the pressure gauge, as shown in (Fig. 37 on page 53).



In the event there are further lockouts or faults with the burner, the maintenance interventions must only be carried out by qualified, authorised personnel, in accordance with the contents of this manual and in compliance with the standards and regulations of current laws.



In the event the burner stops, in order to prevent any damage to the installation, do not unblock the burner more than twice in a row.

If the burner locks out for a third time, contact the customer service.

**6.13 Burner flame goes out during operation**

If the flame should go out during operation, the burner will lockout within 1s.

**6.14 Stopping of the burner**





The burner can be stopped by:

- intervening on the disconnecting switch of the electrical supply line, located on the boiler panel;
- removing the transparent protection 30) Fig. 6 on page 14, after unscrewing the relative screw.

There are now two possibilities:

- using the operator panel according to the manual lockout procedure on pag. 35;
- using the switch 0-1 of Fig. 28 on page 31.

**6.15 Final checks (with burner operating)**

<ul style="list-style-type: none"> <li>➤ Open the thermostat/pressure switch TL</li> <li>➤ Open the thermostat/pressure switch TS</li> </ul>		The burner must stop
<ul style="list-style-type: none"> <li>➤ Turn the gas maximum pressure switch knob to the minimum end of scale position</li> <li>➤ Turn the air pressure switch knob to the maximum end of scale position</li> </ul>		The burner must stop in lockout
<ul style="list-style-type: none"> <li>➤ Turn off the burner and cut off the power</li> <li>➤ Disconnect the minimum gas pressure switch connector</li> </ul>		The burner must not start
<ul style="list-style-type: none"> <li>➤ Disconnect the connector of the ionisation probe</li> </ul>		The burner must stop in lockout due to ignition failure

**Tab. S**



Make sure that the mechanical locking systems on the various adjustment devices are fully tightened.

**7 Maintenance**

**7.1 Notes on safety for the maintenance**

The periodic maintenance is essential for the good operation, safety, yield and duration of the burner. It allows you to reduce consumption and polluting emissions and to keep the product in a reliable state over time.



The maintenance interventions and the calibration of the burner must only be carried out by qualified, authorised personnel, in accordance with the contents of this manual and in compliance with the standards and regulations of current laws.

Before carrying out any maintenance, cleaning or checking operations:



Turn off the burner's power supply using the main system switch.



Turn off the fuel interception tap.



Wait for the components in contact with heat sources to cool down completely.

**7.2 Maintenance programme**

**7.2.1 Maintenance frequency**



The gas combustion system should be checked at least once a year by a representative of the manufacturer or another specialised technician.

**7.2.2 Checking and cleaning**



The operator must use the required equipment during maintenance.

**Combustion**

The optimum calibration of the burner requires an analysis of the flue gases. Significant differences with respect to the previous measurements indicate the points where most care should be exercised during maintenance.

**Combustion head**

Open the burner and make sure that all components of the combustion head are in good condition, not deformed by the high temperatures, free of impurities from the surroundings and correctly positioned.

**Burner**

Check that there are not excess wear or loosen screws. Clean the outside of the burner.

**Fan**

Check to make sure that no dust has accumulated inside the fan or on its blades, as this condition will cause a reduction in the air flow rate and provoke polluting combustion.

**Boiler**

Clean the boiler as indicated in its accompanying instructions in order to maintain all the original combustion characteristics intact, especially the flue gas temperature and combustion chamber pressure.

**Gas leaks**

Make sure that there are no gas leaks on the pipe between the gas meter and the burner.

**Gas filter**

Change the gas filter when it is dirty.

**Combustion**

If the combustion values measured before starting maintenance do not comply with applicable legislation or do not indicate efficient combustion, consult the 7.2.3 or contact our Technical Support Service to implement the necessary adjustments. It is advisable to set the burner according to the type of gas used and following the indications in 7.2.3.

EN 676		Air excess			
		Max. output. $\lambda \leq 1.2$		Min. output $\lambda \leq 1.3$	
GAS	CO <sub>2</sub> theoretical max. 0% O <sub>2</sub>	CO <sub>2</sub> % Calibration		CO	NO <sub>x</sub>
		$\lambda = 1.2$	$\lambda = 1.3$	mg/kWh	mg/kWh
G 20	11.7	9.7	9.0	≤ 100	≤ 170
G 25	11.5	9.5	8.8	≤ 100	≤ 170
G 30	14.0	11.6	10.7	≤ 100	≤ 230
G 31	13.7	11.4	10.5	≤ 100	≤ 230

**Tab. T**

**7.2.3 Safety components**

The safety components should be replaced at the end of their life cycle indicated in the following table.

The specified life cycles do not refer to the warranty terms indicated in the delivery or payment conditions.

Safety component	Life cycle
Flame control	10 years or 250,000 operation cycles
Flame sensor	10 years or 250,000 operation cycles
Gas valves (solenoid)	10 years or 250,000 operation cycles
Pressure switches	10 years or 250,000 operation cycles
Pressure adjuster	15 years
Servomotor (electronic cam)(if present)	10 years or 250,000 operation cycles
Oil valve (solenoid) (if present)	10 years or 250,000 operation cycles
Oil regulator (if present)	10 years or 250,000 operation cycles
Oil pipes/ couplings (metallic)(if present)	10 years
Flexible hoses (if present)	5 years or 30,000 pressurised cycles
Fan impeller	10 years or 500,000 start-ups

Tab. U

**7.2.4 Measuring the ionisation current**

The burner is fitted with an ionisation system to check that a flame is present.

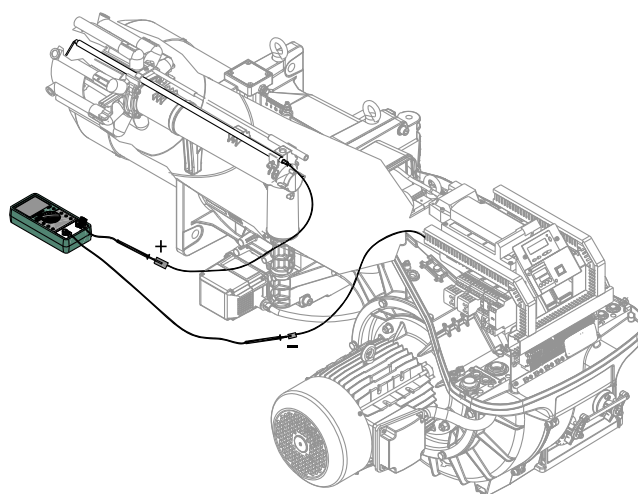
The minimum current for control box operation is 4 µA. The operator panel displays “30%” (see “List of parameters” on page 46, parameter no. 954).

The burner provides a much higher current, so controls are not normally required.

However, if it is necessary to measure the ionisation current, disconnect the plug-socket on the ionisation probe cable and insert a direct current microammeter with a base scale of 100 µA, as shown in Fig. 36.



Carefully check the polarities!

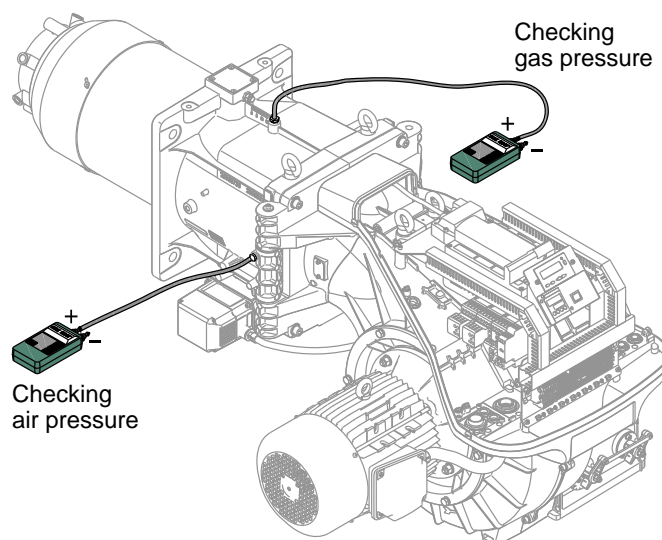


20076585

Fig. 36

**7.2.5 Checking the air and gas pressure on the combustion head**

To carry out this operation it is necessary to use a pressure gauge to measure the air and gas pressure at the combustion head, as shown in Fig. 37.



20076586

Fig. 37



**7.3 Checking the position of the rpm sensor**

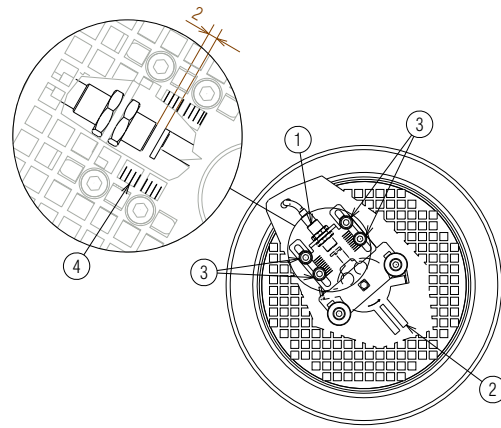
To calibrate the rpm sensor, proceed as follows:

loosen the screws 3) rest the sensor on the disc extension 2).

Take the scale 4) as a reference, pull back the rpm sensor by about a notch so that the distance from the disc extension 2) is about 2 mm.

Key (Fig. 38)

- 1 - Rpm sensor
- 2 - Disc
- 3 - Screw
- 4 - Scale



20082216

**Fig. 38**

**7.4 Opening the burner**



Turn off the burner's power supply using the main system switch.

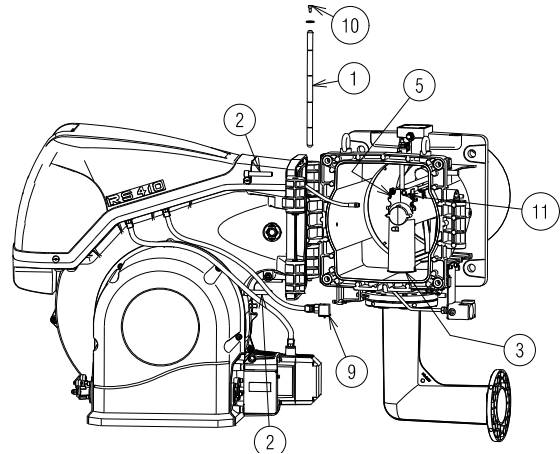
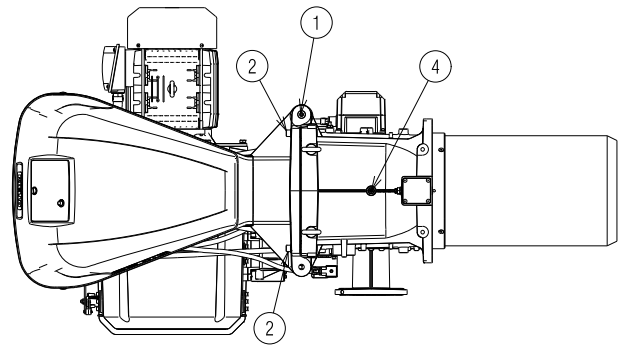


Turn off the fuel interception tap.



Wait for the components in contact with heat sources to cool down completely.

To open the burner, use the same procedure set out in "Access to head internal part" on page 23.



20078008

**Fig. 39**

**7.5 Closing the burner**

Refit following the steps described but in reverse order; refit all burner components as they were originally assembled.



After carrying out maintenance, cleaning or checking operations, reassemble the cover and all the safety and protection devices of the burner.



## 8 Faults - Possible causes - Solutions

If faults arise in ignition or operations, the burner performs a "safety stop", which is signalled by the red burner lockout LED.

The display of the operator panel visualises alternately the lock-out code and the relative diagnostic.

To restore start-up conditions, refer to the "Reset procedure" on page 36.

When the burner starts up again, the red LED goes out.



In the event the burner stops, in order to prevent any damage to the installation, do not unblock the burner more than twice in a row.

If the burner locks out for a third time, contact the customer service.



In the event there are further lockouts or faults with the burner, the maintenance interventions must only be carried out by qualified, authorised personnel, in accordance with the contents of this manual and in compliance with the standards and regulations of current laws.

### 8.1 List of error codes

Error code	Diagnostic code	Meaning of the REC 37.400A2 system	Recommended measures
<b>No Comm</b>		<b>No communication between REC 37.400A2 and RDI21...</b>	Check the wiring between the control box REC 37.400A2 and display RDI21...
<b>2</b>	<b>#</b>	<b>No flame at the end of TSA1</b>	
	1	No flame at the end of safety time 1 (TSA1)	
	2	No flame at the end of safety time 2 (TSA2)	
	4	No flame at the end of safety time 1 (TSA1) (software version ≤ V02.00)	
<b>3</b>	<b>#</b>	<b>Air pressure error</b>	
	0	Air pressure switch off	
	1	Air pressure switch on	
	4	Air pressure on – Lockout alarm at start	
	20	Air pressure, fuel pressure on - Alarm lock at start	
	68	Air pressure, POC on – Alarm lockout at start	
	84	Air pressure, fuel pressure, POC on - Alarm lockout at start	
<b>4</b>	<b>#</b>	<b>Extraneous light</b>	
	0	Extraneous light during start-up	
	1	Extraneous light during switch-off	
	2	Extraneous light during start-up – Lockout alarm at start	
	6	Extraneous light during start-up, air pressure - Alarm lockout at start	
	18	Extraneous light during start-up, fuel pressure - Alarm lockout at start	
	24	Extraneous light during start-up, air pressure, fuel pressure - Alarm lockout at start	
	66	Extraneous light during start-up, POC – Alarm lockout at start	
	70	Extraneous light during start-up, air pressure, POC - Alarm lockout at start	
	82	Extraneous light during start-up, fuel pressure, POC - Alarm lockout at start	
	86	Extraneous light during start-up, air pressure, fuel pressure, poc - Alarm lockout at start	
<b>7</b>	<b>#</b>	<b>Loss of flame</b>	
	0	Loss of flame	
	3	Flame loss (software version ≤ V02.00)	
	3...255	Flame loss during TÜV test (flame loss test)	The diagnostics covers the period of time from the closure of the fuel valves to the point the flame loss was detected (resolution 0.2 s → value 5 = 1 s).
<b>12</b>	<b>#</b>	<b>Valve leak detection control</b>	
	0	V1 leaks	<u>Leak test</u> Check if the valve on the side of the gas has any leaks. Check the wiring and make sure that the circuit is open.

Error code	Diagnostic code	Meaning of the REC 37.400A2 system	Recommended measures
	1	V2 leaks	Leak test Check if the valve on the side of the burner has any leaks. Check if the pressure switch for the leak test (PGVP) is closed when gas pressure is not present. Check the wiring and check if there is a short circuit.
	2	Valve leak detection test not possible	The valve leak detection is active, but the minimum gas pressure switch is selected as input for X9-04 (check parameters 238 and 241)
	3	Valve leak detection test not possible	The valve leak detection is active, but no input has been assigned (check parameters 236 and 237)
	4	Valve leak detection not possible	Valve leak detection is active, but 2 inputs have already been assigned (configure parameter 237 or maximum gas Pressure switch or POC)
	5	Valve leak detection not possible	The valve leak detection is active, but 2 inputs have been assigned (check parameters 236 and 237)
<b>14</b>	<b>#</b>	<b>POC</b>	
	0	POC Open	Check if the closure contact of the valve is closed
	1	POC Closed	Check the wiring Check if the closure contact of the valve opens when the valve is checked
	64	POC Open - Alarm lockout at start	Check the wiring Check if the closure contact of the valve is closed
<b>19</b>	80	Fuel pressure, POC - Alarm lockout at start	Check that the pressure switch is closed when no pressure is present from the fuel Check that there are no short-circuits
<b>20</b>	<b>#</b>	<b>Pmin</b>	
	0	Minimum gas/oil pressure absent	Check that there are no line interruptions
	1	Scarcity of gas - Alarm lockout at start	Check that there are no line interruptions
<b>21</b>	<b>#</b>	<b>Pmax/POC</b>	
	0	Pmax: Max. gas/oil pressure exceeded POC: POC open (software version ≤ V02.00)	Check the wiring. POC: check whether the closure contact of the valve is closed
	1	POC closed (software version ≤ V02.00)	Check the wiring. Check if the closure contact of the valve opens when the valve is checked
	64	POC Open - Lockout alarm at the start (software version ≤ V02.00)	Check the wiring. Check if the contact of the valve opens when the valve is checked
<b>22</b>	<b>#</b>	<b>Safety circuit/Burner flange</b>	
<b>OFF S</b>	0	Safety circuit open /Burner flange open	
	1	Safety circuit open /Burner flange open - Alarm lockout at start	
	3	Safety circuit open /Burner flange open, extraneous light - Alarm lockout at start	
	5	Safety circuit open /Burner flange open, extraneous light - Alarm lockout at start	
	17	Safety circuit open /Burner flange open, extraneous light - Alarm lockout at start	
	19	Safety circuit open /Burner flange open, extraneous light - Alarm lockout at start	
	21	Safety circuit open /Burner flange open, extraneous light - Alarm lockout at start	
	23	Safety circuit open /Burner flange open, extraneous light, air pressure, fuel pressure - Alarm lockout at start	
	65	Safety circuit /Burner flange open, POC - Alarm lockout at start	
	67	Safety circuit open /Burner flange open, extraneous light, POC - Alarm lockout at start	
	69	Safety circuit open /Burner flange open, air pressure, POC - Alarm lockout at start	
	71	Safety circuit open /Burner flange open, extraneous light, air pressure, POC - Alarm lockout at start	
	81	Safety circuit open /Burner flange open, fuel pressure, POC - Alarm lockout at start	
	83	Safety circuit open /Burner flange open, extraneous light, air pressure, POC - Alarm lockout at start	

Error code	Diagnostic code	Meaning of the REC 37.400A2 system	Recommended measures
	85	Safety circuit open /Burner flange, air pressure, fuel pressure, POC - Alarm lockout at start	
	87	Safety circuit open /Burner flange, extraneous light, air pressure, fuel pressure, POC - Alarm lockout at start	
<b>50 ÷ 58</b>	<b>#</b>	<b>Internal error</b>	Carry out a reset; if the error arises repeatedly, replace the control box
<b>60</b>	<b>0</b>	<b>Internal error: no valid load checking device</b>	Carry out a reset; if the error arises repeatedly, replace the control box
<b>65 ÷ 67</b>	<b>#</b>	<b>Internal error</b>	Carry out a reset; if the error arises repeatedly, replace the control box
<b>70</b>	<b>#</b>	<b>Fuel/air checking error: Calculation position in modulation</b>	
	23	Invalid load	No valid load
	26	Curve points not defined	Adjust the curve points of all the actuators
<b>71</b>	<b>#</b>	<b>Special position not defined</b>	
	0	Standby position	Set the standby position of all the servomotors used
	1	Pre-purging position	Set the pre-purging position of all the servomotors used
	2	Post-purging position	Set the post-purging position of all the servomotors used
	3	Ignition position	Set the ignition position of all the servomotors used
<b>72</b>	<b>#</b>	<b>Fuel/air internal checking error:</b>	Carry out a reset; if the error arises repeatedly, replace the control box
<b>73</b>	<b>#</b>	<b>Fuel/air internal checking error: multistep calculation position</b>	
	23	Position calculation, invalid stage load	No valid load
	26	Position calculation, stage curve points not defined	Adjust the curve points of all the servomotors
<b>75</b>	<b>#</b>	<b>Fuel/air ratio internal checking error: cyclical data check</b>	
	1	Check synchronisation data, different current load	
	2	Check synchronisation data, different target load	
	4	Check synchronisation data, different target positions	
	16	Check synchronisation data, different positions reached	May be caused by different standardisation speeds (for example following the resetting of the data set) when the VSD is active -> perform the standardisation again and check the regulation of the fuel/air ratio.
<b>76</b>	<b>#</b>	<b>Fuel/air internal checking error:</b>	Carry out a reset; if the error arises repeatedly, replace the control box
<b>80</b>	<b>#</b>	<b>VSD control range limit</b>	<p>The standard unit could not correct the speed difference and has reached a limit in the control range.</p> <p>1. The base unit is not standardised for this motor ----&gt; repeat the standardisation.</p> <p><b>WARNING!</b> <b>check the settings of the air/fuel ratio control!</b></p> <p>2. The VSD train times are not shorter than those of the standard unit (parameters 522, 523).</p> <p>3. The VSD characteristic is not linear. The VSD voltage input configuration must correspond with that of the standard unit (parameter 645).</p> <p>4. The VSD does not follow the changes of the standard unit quickly enough. Check the VSD settings (input filter, slide compensation, different latent speeds).</p>
	1	Lower control range limit	The VSD speed was too high
	2	Upper control range limit	The VSD speed was too low
<b>81</b>	<b>1</b>	<b>Interruption in speed limit input</b>	Excessive electromagnetic interference on the sensor line -> improve the EMC
<b>82</b>	<b>#</b>	<b>Error during VSD speed standardisation</b>	
	1	Standardisation time-out (the descent time of the VSD train is too long)	Time-out at the end of the standardisation, during deceleration of VSD 1. The VSD train times are not shorter than those of the standard unit (parameter: 523)
	2	Logging of the standardised speed not successful	Error during the logging of the standardised speed ----> block the standard unit, reset it and repeat the standardisation

Error code	Diagnostic code	Meaning of the REC 37.400A2 system	Recommended measures
	3	Speed sensor circuit open	The standard unit does not receive pulses from the speed sensor: 1. The motor does not turn. 2. The speed sensor is not connected. 3. The speed sensor is not activated by the sensor disc (check the distance)
	4	Variation in speed / VSD acceleration time too long / speed below the minimum limit for standardisation	The motor has not reached a stable speed after acceleration. 1. The VSD train times are not shorter than those of the standard unit (parameters 522, 523). 2. The VSD characteristic is not linear. The VSD voltage input configuration must correspond with that of the standard unit (parameter 645). 3. The VSD does not follow the changes of the standard unit quickly enough. Check the VSD settings (input filter, slide compensation, different latent speeds). 4. The VSD speed is below the minimum for standardisation (650 rpm).
	5	Incorrect rotation direction	The motor rotation direction is incorrect. 1. The motor does not rotate in the correct direction ---> modify the parameterisation of the rotation direction, or invert 2 phases. 2. The sensor disc is incorrectly assembled ---> turn the sensor disc.
	6	Implausible speed sensor signals	The required pulse pattern (60°, 120°, 180°) has not been correctly identified. 1. The speed sensor does not detect all the noses of the sensor disc ---> check the distance 2. When the motor turns, other metal parts are detected along with the noses ---> improve the assembly. 3. Electromagnetic interference on the sensor lines ---> check the cable path, improve the EMC
	7	Standardised speed not valid	The standardised speed measured is not within the allowed range. 1. The motor turns too slowly or too quickly.
	15	Speed deviation $\mu C1 + \mu C2$	Microcomputer speeds 1 and 2 have an excessive deviation. This may be caused by incorrect standardised speeds (e.g. after the reintegration of a set of data in a new unit) ---> repeat the standardisation and check the air/fuel ratio.
	20	Incorrect phase of the phase controller	The standardisation was performed in the wrong phase. The only phases allowed are $\leq 12$ ---> controller OFF, restart the standardisation.
	21	Safety loop/burner flange open	The safety loop or burner flange is open ---> repeat the standardisation with the safety loop closed
	22	Pneumatic actuator without reference	The air actuator has no reference, or has lost it. 1. Check whether the reference position can be approached. 2. Check whether the actuators have been swapped over. 3. If the error only arises after the start of standardisation, the actuator may be overloaded and unable to reach its destination.
	23	VSD deactivated	The standardisation was started with the VSD deactivated ---> activate the VSD and repeat the standardisation
	24	No valid operation mode	The standardisation was started without a valid operation mode ---> activate a valid operation mode and repeat the standardisation
	25	Pneumatic control of the air/fuel ratio	The standardisation was started with a pneumatic control of the air/fuel ratio ---> it is not possible to carry out the standardisation with a pneumatic control of the air/fuel ratio
	128	Run command without prior standardisation	The VSD is controlled but not standardised ---> perform the standardisation
	255	No standardised speed available	The motor turns but is not standardised ---> perform the standardisation
<b>83</b>	<b>#</b>	<b>VSD speed error</b>	The required speed has not been reached
	Bit 0 Valence 1	Lower control range limit	The speed was not reached because the control range limit was activated ---> for the measurements, see error code 80
	Bit 1 Valence 2...3	Greater control range limit	The speed was not reached because the control range limit was activated ---> for the measurements, see error code 80

Error code	Diagnostic code	Meaning of the REC 37.400A2 system	Recommended measures
	Bit 2 Valence 4...7	Stop caused by electromagnetic interference	The speed has not been reached because there are too many electromagnetic interferences on the sensor line. For the measurements, see error code 81.
	Bit 3 Valence ≥ 8	Curve too steep in terms of train speed	The speed was not reached because the curve was too steep. 1. With a train REC3... of 20 s, the speed variation between 2 points of the curve (in modulating mode) cannot exceed 10%. With a train REC3... of 10 s, the speed variation between 2 points of the curve (in modulating mode) cannot exceed 20%. With a train REC3... of 5 s, the speed variation between 2 points of the curve (in modulating mode) cannot exceed 40%. ----> Between the ignition point (P0) and the low flame point (P1), the speed in modulating mode may vary by a maximum of 40%, regardless of the train REC3... 2. The VSD train must be about 20% faster than the train of the standard unit (parameters 522, 523).
	Bit 4 Valence ≥ 16	Speed signal interruption	No speed detected, despite the control. 1. Check whether the motor turns. 2. Check whether the speed sensor provides a signal (LED / check the distance from the sensor disc). 3. Check the VSD wiring.
	Bit 5 Valence ≥ 32	Quick switch-off due to excessive speed deviation	For about 1 s, the speed deviation was >10% outside the envisaged range. 1. Check the train times of REC3.... and VSD. 2. Check the VSD wiring.
<b>84</b>	<b>#</b>	<b>Servomotors curve slope</b>	
	Bit 0 Valence ≥ 1	VSD: Curve too steep in terms of train speed	1. With a train REC3... of 20 s, the speed variation between points of the curve (in modulating mode) cannot exceed 10% With a train REC3... of 10 s, the speed variation between points of the curve (in modulating mode) cannot exceed 20% 2. With a train REC3... of 5 s, the speed variation between points of the curve (in modulating mode) cannot exceed 40% ----> Between the ignition point (P0) and the low flame point (P1), the speed in modulating mode may vary by a maximum of 40%, regardless of the train REC3... The VSD train must be about 20% faster than the train of the standard unit (parameters 522, 523)
	Bit 1 Valence 2..3	Fuel servomotor: Curve too steep in terms of train ratio	The slope of the curve can correspond to a maximum position variation of 31° between 2 points of the modulation curve
	Bit 2 Valence 4..7	Air servomotor: Curve too steep in terms of train ratio	The slope of the curve can correspond to a maximum position variation of 31° between 2 points of the modulation curve
<b>85</b>	<b>#</b>	<b>Reference error of a servomotor</b>	
	0	Reference error of the fuel servomotor	The reference of the fuel servomotor was not successful. It was not possible to reach the reference point. 1. Check if the servomotors have been inverted. 2. Check if the servomotor is blocked or overloaded.
	1	Reference error of the air servomotor	The reference of the air servomotor was not successful. It was not possible to reach the reference point. 1. Check if the servomotors have been inverted. 2. Check if the servomotor is blocked or overloaded.
	Bit 7 Valence ≥128	Reference error owing to parameter modification	The parameterisation of an actuator (e.g. the reference position) has been modified. This error will be visualised to start up a new reference.
<b>86</b>	<b>#</b>	<b>Fuel servomotor error</b>	
	0	Position error	It was not possible to reach the target position within the required range ----> Check to see if the servomotor is blocked or overloaded.
	Bit 0 Valence 1	Circuit open	Open circuit detected on the connection of the servomotor ----> Check the wiring (voltage between pins 5 or 6 and 2 of the X54 connector should be > 0.5 V).
	Bit 3 Valence ≥8	Curve too steep in terms of train ratio	The slope of the curve can correspond to a maximum position modification of 31° between 2 points of the modulation curve.
	Bit 4 Valence ≥16	Deviation of section compared with the last reference	Overloading of the servomotor or servomotor subjected to mechanical torsion. 1. Check if the servomotor is blocked in any point along its range of action. 2. Check if the torque is sufficient for the application.

Error code	Diagnostic code	Meaning of the REC 37.400A2 system	Recommended measures
<b>87</b>	<b>#</b>	<b>Air servomotor error</b>	
	0	Position error	It was not possible to reach the target position within the requested tolerance range. 1. Check if the servomotor is blocked or overloaded.
	Bit 0 Valence 1	Circuit open	Open circuit detected on the connection of the servomotor --> Check the wiring (voltage between pins 5 or 6 and 2 of the X54 connector should be > 0.5 V).
	Bit 3 Valence ≥8	Curve too steep in terms of train ratio	The slope of the curve can correspond to a maximum position modification of 31° between 2 points of the modulation curve.
	Bit 4 Valence ≥16	Deviation of section compared with the last reference	Overloading of the servomotor or servomotor subjected to mechanical torsion. 1. Check if the servomotor is blocked in any point along its range of action. 2. Check if the torque is sufficient for the application.
<b>90 - 91</b>	<b>#</b>	<b>Burner internal checking error</b>	
<b>93</b>	<b>#</b>	<b>Flame signal acquisition error</b>	
	3	Short circuit of the sensor	Short circuit in the QRB sensor... 1. Check the wiring. 2. Flame detector probably faulty.
<b>95</b>	<b>#</b>	<b>Relay supervision error</b>	
	3 Ignition transformers 4 Fuel valve 1 5 Fuel valve 2 6 Fuel valve 3	External power supply - Contact active	Check the wiring
<b>96</b>	<b>#</b>	<b>Relay supervision error</b>	
	3 Ignition transformers 4 Fuel valve 1 5 Fuel valve 2 6 Fuel valve 3	The relay contacts have joined together	Check the contacts: 1. Control box connected to the power supply: the fan output must be without voltage. 2. Disconnect the power supply. Disconnect the fan. The resistive connection between the fan output and the neutral wire is not allowed. If one of the 2 tests fails, replace the control box because the contacts are definitively joined together and it is no longer possible to guarantee safety.
<b>97</b>	<b>#</b>	<b>Relay supervision error</b>	
	0	The safety relay contacts have joined together or the safety relay has been powered by an external power supply	Check the contacts: 1. Control box connected to the power supply: the fan output must be without voltage. 2. Disconnect the power supply. Disconnect the fan. The resistive connection between the fan output and the neutral wire is not allowed. If one of the 2 tests fails, replace the control box because the contacts are definitively joined together and it is no longer possible to guarantee safety.
<b>98</b>	<b>#</b>	<b>Relay supervision error</b>	
	2 – Safety valve 3 Ignition transformers 4 Fuel valve 1 5 Fuel valve 2 6 Fuel valve 3	The relay does not start up	Carry out a reset; if the error arises repeatedly, replace the unit
<b>99</b>	<b>#</b>	<b>Relay internal checking error</b>	Carry out a reset; if the error arises repeatedly, replace the control box
	3	Relay internal checking error	Carry out a reset; if the error arises repeatedly, replace the control box Software version V03.10: If error C:99 D:3 occurs during the standardisation of the VSD, temporarily deactivate the Alarm function at the start of the pre-purging phase (parameter 210 = 0) or interrupt the signal controller-ON
<b>100</b>	<b>#</b>	<b>Relay internal checking error</b>	Carry out a reset; if the error arises repeatedly, replace the control box
<b>105</b>	<b>#</b>	<b>Contact sampling internal error</b>	

Error code	Diagnostic code	Meaning of the REC 37.400A2 system	Recommended measures
	0 Min. pressure switch 1 Max. pressure switch 2 Valve operation test pressure switch 3 Air pressure 4 Load controller open 5 Load controller on/off 6 Load controller closed 7 Safety loop / burner flange 8 Safety valve 9 Ignition transformers 10 Fuel valve 1 11 Fuel valve 2 12 Fuel valve 3 13 Reset	Blocked upon irregularity	Can be caused by capacitive loads or presence of DC voltage on the main power supply of the control box. The diagnostic code indicates the input in which the problem arose
106 ÷ 108	#	Contact request internal error	Carry out a reset; if the error arises repeatedly, replace the control box
110	#	Voltage monitoring test internal error	Carry out a reset; if the error arises repeatedly, replace the control box
111	0	Low level of power supply	Insufficient mains voltage. Conversion of the diagnostic code ---> Voltage value (230 V AC : 1,683)
112	0	Reset power supply voltage	Error code for the carrying out of a reset in the event of power supply restoration (absence of error)
113	#	Mains voltage supervision internal error	Carry out a reset; if the error arises repeatedly, replace the control box
115	#	Control box meter internal error	
116	0	Life cycle of the control box in the critical interval (250,000 Start ups)	The envisaged life cycle of the control box has been exceeded. Replace it.
117	0	Life cycle of the control box exceeded	The switch-off threshold has been reached.
120	0	Interruption of fuel limiting meter input	Too many disturbance impulses on the input of the fuel meter --> Improve the electromagnetic compatibility.
121 ÷ 124	#	EEPROM access internal error	Carry out a reset, repeat and check the last setting of the parameters. Restore the group of parameters: if the error arises repeatedly, replace the control box.
125	#	EEPROM reading access internal error	Carry out a reset, repeat and check the last setting of the parameters. If the error arises repeatedly, replace the control box.
126	#	EEPROM writing access internal error	Carry out a reset, repeat and check the last setting of the parameters. If the error arises repeatedly, replace the control box.
127	#	EEPROM access internal error	Carry out a reset, repeat and check the last setting of the parameters. Restore the group of parameters: if the error arises repeatedly, replace the control box.
128	0	EEPROM access internal error - synchronisation during the initialisation	Carry out a reset; If the error arises repeatedly, replace the control box.
129	#	EEPROM access internal error – command synchronisation	Carry out a reset, repeat and check the last setting of the parameters. If the error arises repeatedly, replace the control box.
130	#	EEPROM access internal error - time-out	Carry out a reset, repeat and check the last setting of the parameters. If the error arises repeatedly, replace the control box.
131	#	EEPROM access internal error - page interrupted	Carry out a reset, repeat and check the last setting of the parameters. If the error arises repeatedly, replace the control box.
132	#	EEPROM register initialisation internal error	Carry out a reset; if the error arises repeatedly, replace the control box.
133 ÷ 135	#	EEPROM access internal error – request synchronisation	Carry out a reset, repeat and check the last setting of the parameters. If the error arises repeatedly, replace the control box.
136	1	Restoration started	The restoration of a backup has been started (no error)
137	#	Internal error – backup / restoration	
	157 (-99)	Restoration – OK, but backup < compared with set data of current system	Restoration successful, but the backup data installed are fewer than those currently present in the system.
	239 (-17)	Backup - logging of the backup on RDI21... failed	Perform the reset and repeat backup
	240 (-16)	Reset - no backup in RDI21...	No backup in RDI21...
	241 (-15)	Reset - Interruptions relating to impracticable ASN	The backup has an impracticable ASN and cannot reset the unit
	242 (-14)	Backup – the backup carried out is contradictory	The backup is irregular and cannot be transferred again
	243 (-13)	Backup – the data comparison between the internal microprocessors is irregular	Repeat the reset and backup



Error code	Diagnostic code	Meaning of the REC 37.400A2 system	Recommended measures
	244 (-12)	The backup data are incompatible	The backup data are incompatible with the current version of the software; the restoration is not possible
	245 (-11)	Error in access to the parameter Restore_Complete	Repeat the reset and backup
	246 (-10)	Restoration – time-out during logging in EEPROM	Repeat the reset and backup
	247 (-9)	The data received are contradictory	The series of backup data is not valid; restoration is not possible
	248 (-8)	The restoration cannot currently be carried out	Repeat the reset and backup
	249 (-7)	Restoration – interruption caused by inadequate identification of the burner	The backup has an inadequate identification of the burner and must not be transferred to the control box
	250 (-6)	Backup – the CRC of a page is not correct	The series of backup data is not valid; restoration is not possible
	251 (-5)	Backup – the identification of the burner is not defined	Define the identification of the burner and repeat the backup
	252 (-4)	After restoration, the pages are still in INTERRUPTION	Repeat the reset and backup
	253 (-3)	The restoration cannot currently be carried out	Repeat the reset and backup
	254 (-2)	Interruption owing to transmission error	Repeat the reset and backup
	255 (-1)	Interruption owing to time-out during the restoration	Carry out a reset, check the connections and repeat the backup
<b>146</b>	<b>#</b>	<b>Time-out of the system automation interface</b>	Refer to the Modbus User Documentation (A7541)
	1	Modbus time-out	
<b>150</b>	<b>#</b>	<b>TÜV test</b>	
	1 (-1)	Invalid phase	The TÜV test can only be started in phase 60 (operation)
	2 (-2)	The TÜV test default output is too low	The output of the TÜV test must be lower than the minor output limit
	3 (-3)	The TÜV test default output is too high	The output of the TÜV test must be greater than the upper output limit
	4 (-4)	Manual interruption	No error: Manual interruption of the TÜV test by the user
	5 (-5)	TÜV test time-out	No flame loss after the fuel valves have been closed 1. Check for any extraneous lights 2. Check that there are no short-circuits 3. Check whether one of the valves is leaking
<b>165</b>	<b>#</b>	<b>Internal error</b>	
<b>166</b>	<b>0</b>	<b>Watchdog reset internal error</b>	
<b>167</b>	<b>#</b>	<b>Manual lockout</b>	The control box has been manually blocked (no error)
	1	Manual lockout from remote reset command	
	2	Manual lockout from RDI21...	
	3	Manual lockout from PC interface	
	8	Manual lockout from RDI21... Time-out/interrupted communication	During a regulation of the curve via the operating panel RDI21...the time-out for the operating menu is passed (setting via the 127 parameter), or else the communication between REC 37.400A2 and RDI21... has been interrupted
	9	Manual lockout from PC interface Communication interrupted	During an adjustment of the curve via the PC interface, the communication between REC 37.400A2 and the operator panel has been interrupted for more than 30 seconds
	33	Manual lockout after the PC tool has performed a tentative reset	The PC tool has performed a tentative reset, even if the system has worked correctly
<b>168 ÷ 171</b>	<b>#</b>	<b>Internal error management</b>	Carry out a reset; if the error arises repeatedly, replace the control box
<b>200 OFF</b>	<b>#</b>	<b>System free of errors</b>	No error
<b>201 OFF</b> <b>UPr</b>	<b>#</b>	<b>Lockout or error at start</b>	Lockout or error due to lack of unit parameter settings
	Bit 0 Valency 1	No valid operation mode	
	Bit 1 Valency 2..3	No fuel train defined	
	Bit 2 Valency 4..7	No curve defined	
	Bit 3 Valency 8..15	Standardisation speed not defined	
	Bit 4 Valency 16..31	Backup / Reset impossible	
<b>202</b>	<b>#</b>	<b>Selection of internal operation mode</b>	Redefine the operation mode (parameter 201)
<b>203</b>	<b>#</b>	<b>Internal error</b>	Redefine the operation mode (parameter 201) Carry out a reset; if the error arises repeatedly, replace the control box



Error code	Diagnostic code	Meaning of the REC 37.400A2 system	Recommended measures
204	Phase number	Program stop	The program stop is active (no error)
205	#	Internal error	Carry out a reset; if the error arises repeatedly, replace the control box
206	0	Combination of control box and operator panel not allowed	
207	#	Compatibility of control box with operator panel	
	0	Obsolete version of control box	
	1	Obsolete version of operator panel	
208 - 209	#	Internal error	Carry out a reset; if the error arises repeatedly, replace the control box
210	0	The selected operating mode is not released for the standard unit	Select an operating mode released for the standard unit
240	#	Internal error	Carry out a reset; if the error arises repeatedly, replace the control box
245	#	Internal error	Carry out a reset; if the error arises repeatedly, replace the control box
250	#	Internal error	Carry out a reset; if the error arises repeatedly, replace the control box

**Tab. V**

**A Appendix - Accessories**

**Kit for modulating operation**

Burner	Output regulator	Code
All models	RWF 50.2 3-POINT OUTLET	20085417
All models	RWF 55.5 COMPLETE WITH RS-485 INTERFACE	20074441
All models	RWF 55.6 COMPLETE WITH RS-485/PROFIBUS INTERFACE	20074442

Burner	Probe	Adjustment field	Code
All models	PT 100 temperature	- 100...+ 500°C	3010110
All models	4 - 20 mA pressure	0...2.5 bar	3010213
All models	4 - 20 mA pressure	0...16 bar	3010214

**Inverter (VSD)**

Burner	Line voltage	Motor Output (kW)	Inverter Output (kW)	Code
RS 310/EV	230V	7.5	7.5	20083590
RS 310/EV	400V	7.5	7.5	20028307
RS 410/EV	230V	9.2	11	20083611
RS 410/EV	400V	9.2	11	3090952
RS 510/EV	400V	12	15	3090960
RS 610/EV	400V	15	15	3090960



The use of inverters other than those indicated by the manufacturer may lead to burner failure and, in extreme cases, a potential risk of harm to people and damage to property.

The manufacturing company shall not be liable for any such damage arising from non-observance of the requirements contained in this manual.

**UV photocell kit**



Burner	Code
Only FS1 models	20077814

**Soundproofing box kit**

Burner	Type	dB(A)	Code
All models	C7	10	3010376

**Continuous purging kit**

Burner	Code
All models	20077810

**Software interface kit (ACS410 + OCI410.30) - Service Level**

Burner	Code
All models	3010436

**Modbus interface kit**

---

<b>Burner</b>	<b>Model</b>	<b>Code</b>
All models	OCI412	3010437

**PVP kit (Seal control function - See gas train booklet)**

---

<b>Burner</b>	<b>Ramp type</b>	<b>Code</b>
All models	MB - CB	3010344

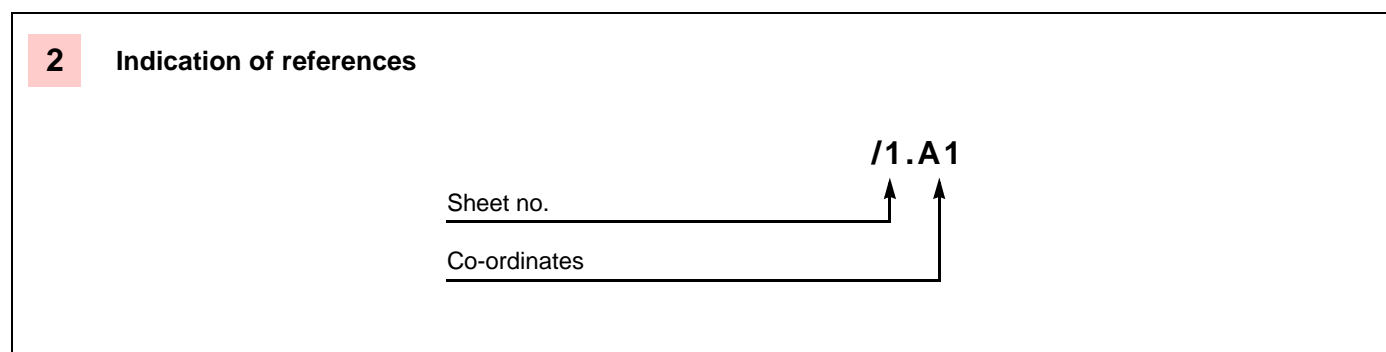
**Gas trains in compliance with EN 676**

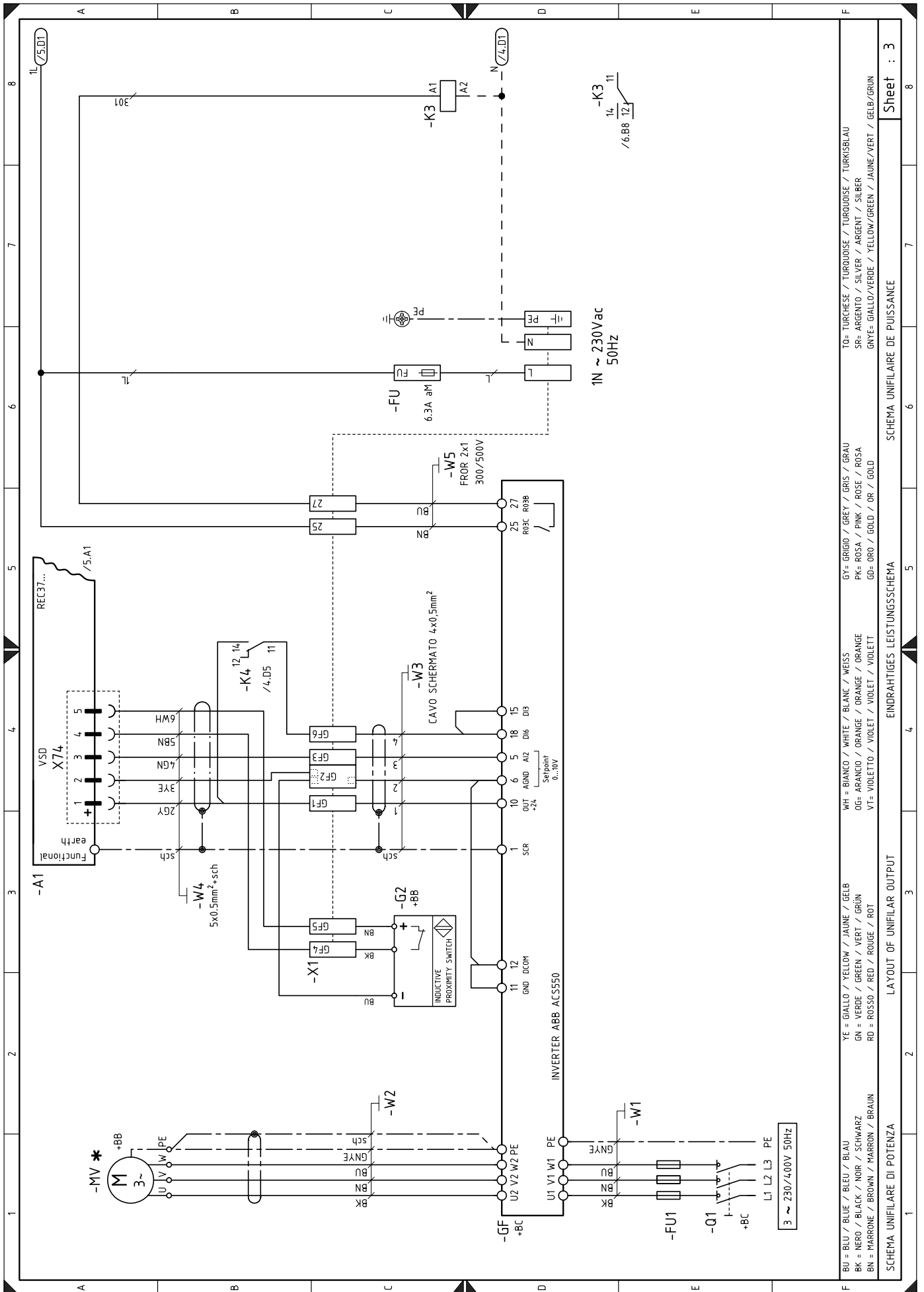
---

Please refer to manual.

**B Appendix - Electrical panel layout**

<b>1</b>	<b>Index of layouts</b>
<b>2</b>	Indication of references
<b>3</b>	Single-wire output layout
<b>4</b>	Single-wire output layout
<b>5</b>	Functional layout REC 37...
<b>6</b>	Functional layout REC 37...
<b>7</b>	Functional layout REC 37...
<b>9</b>	Electrical wiring of internal output power regulator
<b>10</b>	Electrical wiring that the installer is responsible for
<b>11</b>	Electrical wiring that the installer is responsible for
<b>12</b>	Output power regulator inputs/outputs

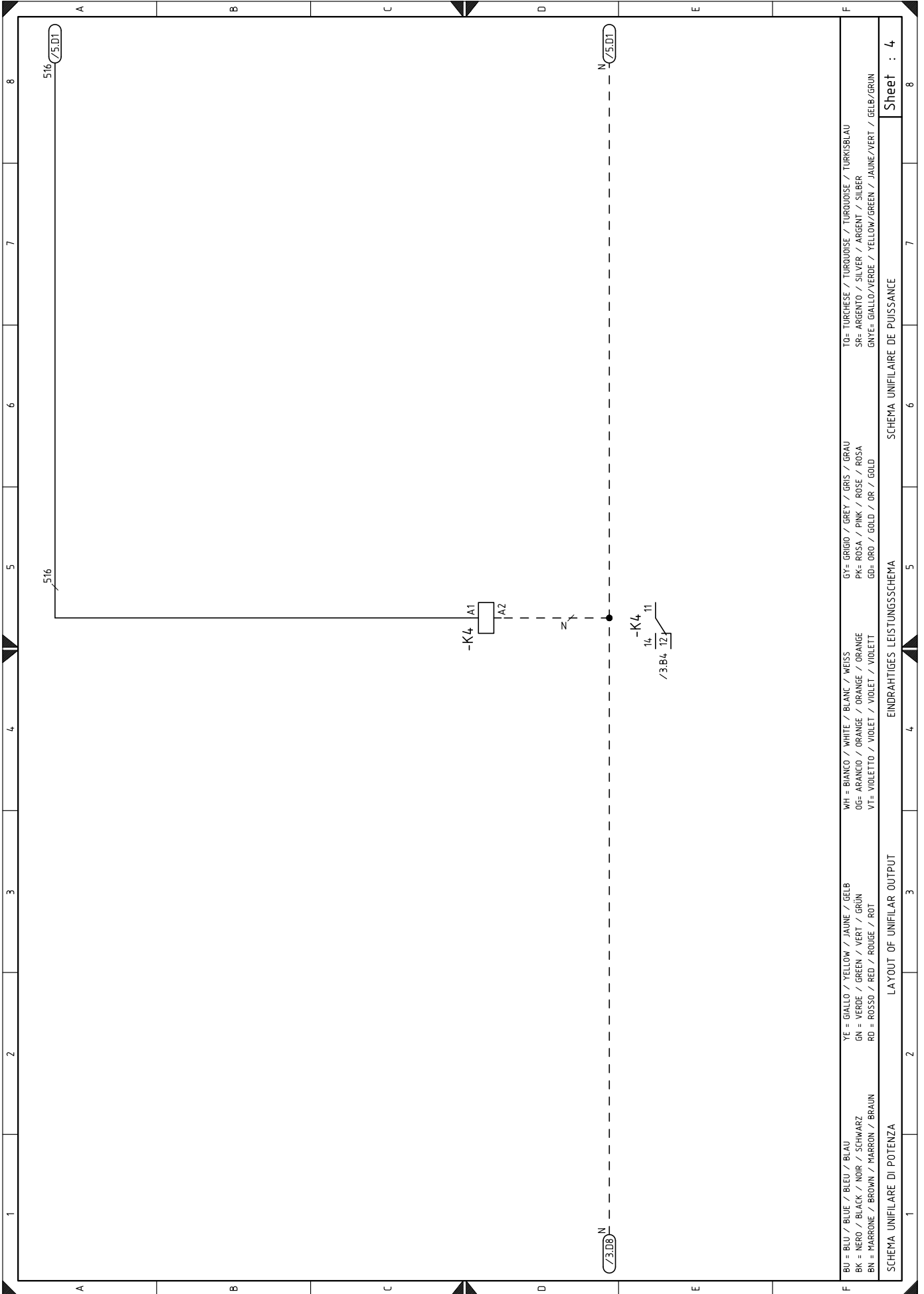




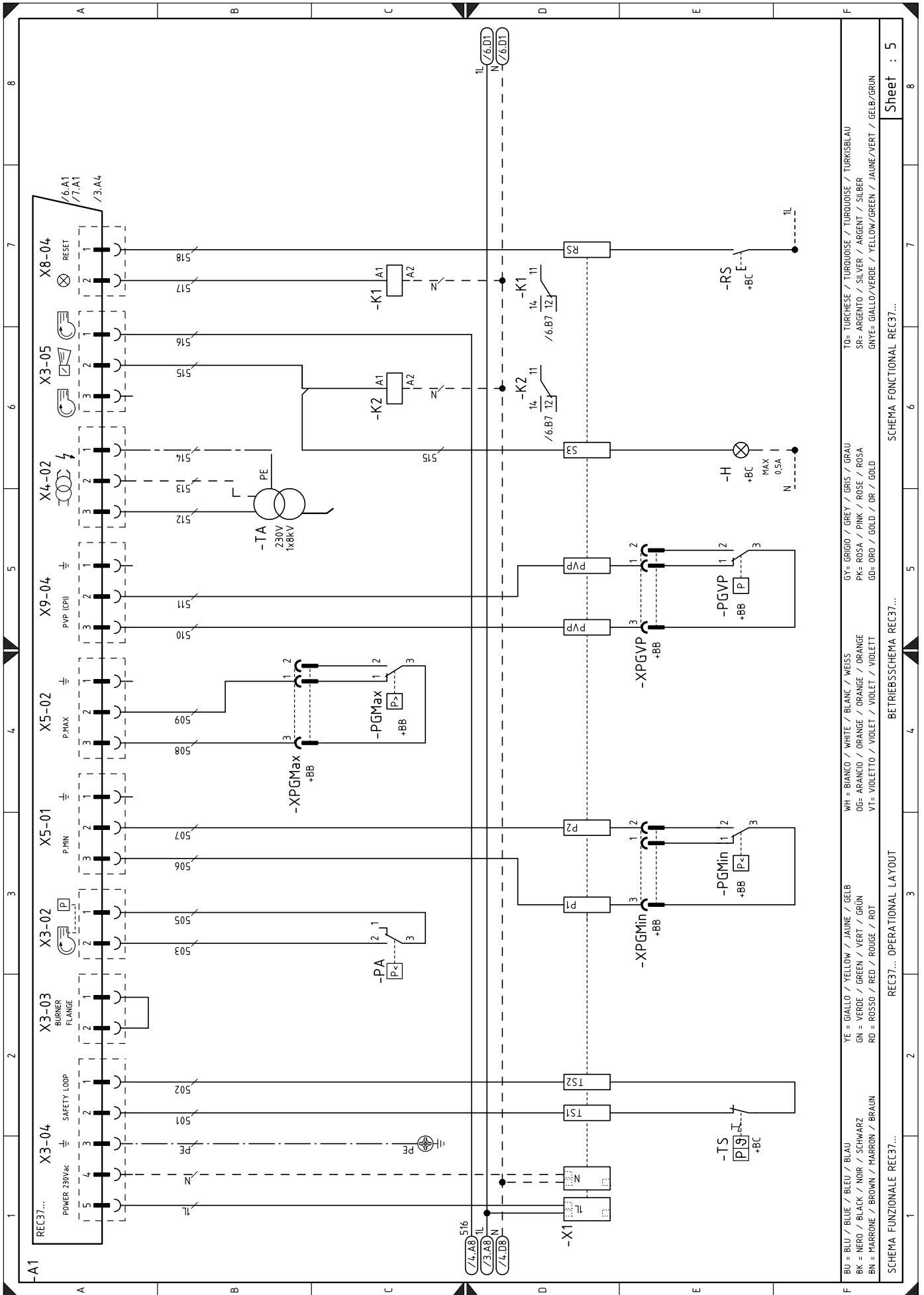
BU = BLU / BLUE / BLEU / BLAU	YE = GIALLO / YELLOW / JAUNE / GELB	WH = BIANCO / WHITE / BLANC / WEISS	GY = GRIGIO / GREY / GRIS / GRAU	TO = Turchese / TURQUOISE / TURKISBLAU
BK = NERO / BLACK / NOIR / SCHWARZ	GN = VERDE / GREEN / VERT / GRÜN	OG = ARANCIO / ORANGE / ORANGE / ORANGE	PK = ROSA / PINK / ROSE / ROSA	SR = ARGENTO / SILVER / ARGENT / SILBER
BN = MARRONE / BROWN / MARRON / BRAUN	RD = ROSSO / RED / ROUGE / ROT	VT = VIOLETTO / VIOLET / VIOLET / VIOLETT	GD = ORO / GOLD / OR / GOLD	GNYE = GIALLO/VERDE / YELLOW/GREEN / JAUNE/VERT / GELB/GRÜN

SCHEMA UNIFILARE DI POTENZA      LAYOUT OF UNIFILAR OUTPUT      EINDRAHTIGES LEISTUNGSSCHEMA      SCHEMA UNIFILARE DE PUISSANCE

Sheet : 3



BU = BLU / BLUE / BLEU / BLAU	YE = GIALLO / YELLOW / JAUNE / GELB	WH = BIANCO / WHITE / BLANC / WEISS	GY = GRIGIO / GREY / GRIS / GRAU	TO= TURCHESE / TURQUOISE / TURKUISE / TURKISBLAU
BN = NERO / BLACK / NOIR / SCHWARZ	GN = VERDE / GREEN / VERT / GRÜN	OG= ARANCIO / ORANGE / ORANGE	PK= ROSA / PINK / ROSE / ROSA	SR= ARGENTO / SILVER / ARGENT / SILBER
BR = MARRONE / BROWN / MARRON / BRAUN	RD = ROSSO / RED / ROUGE / ROT	VT= VIOLETTO / VIOLET / VIOLET / VIOLETT	GD= ORO / GOLD / OR / GOLD	GNYE= GIALLO/VERDE / YELLOW/GREEN / JAUNE/VERT / GELB/GRÜN
SCHEMA UNIFILARE DI POTENZA			SCHEMA UNIFILAIRE DE PUISSANCE	
LAYOUT OF UNIFILAR OUTPUT			EINDRAHTIGES LEISTUNGSSCHEMA	
Sheet : 4			Sheet : 4	



TO= TURCHESE / TURQUOISE / TURKOISE / TURKISBLAU  
 SR= ARGENTO / SILVER / ARGENT / SILBER  
 GN= GIALLO / VERDE / YELLOW / GREEN / JAUNE / VERT / GELB / GRUN

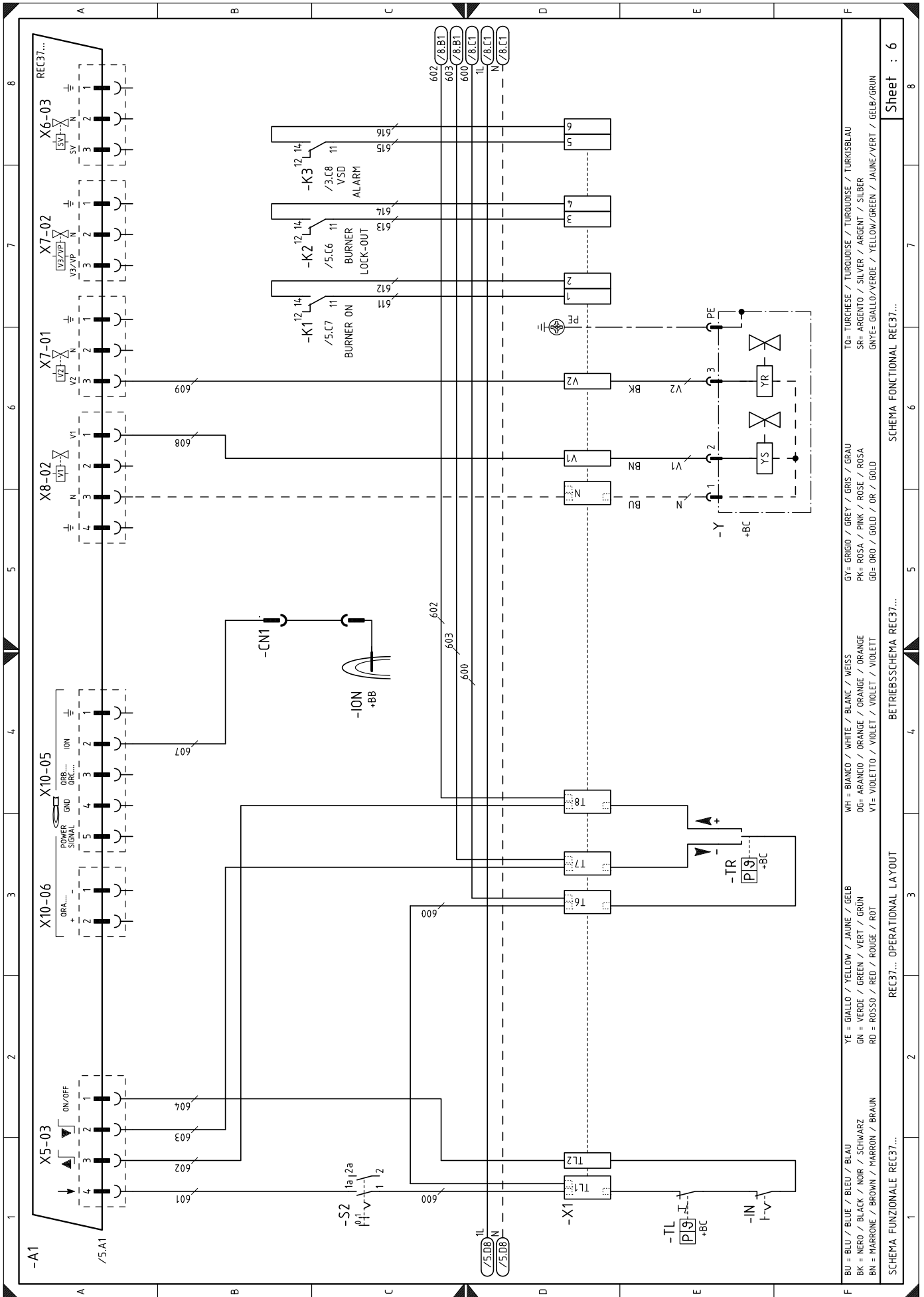
GY= GRIGIO / GREY / GRIS / GRAU  
 PK= ROSA / PINK / ROSE / ROSA  
 GD= ORO / GOLD / OR / GOLD

WH= BIANCO / WHITE / BLANC / WEISS  
 OG= ARANCIO / ORANGE / ORANGE / ORANGE  
 VT= VIOLETTA / VIOLET / VIOLET / VIOLETT

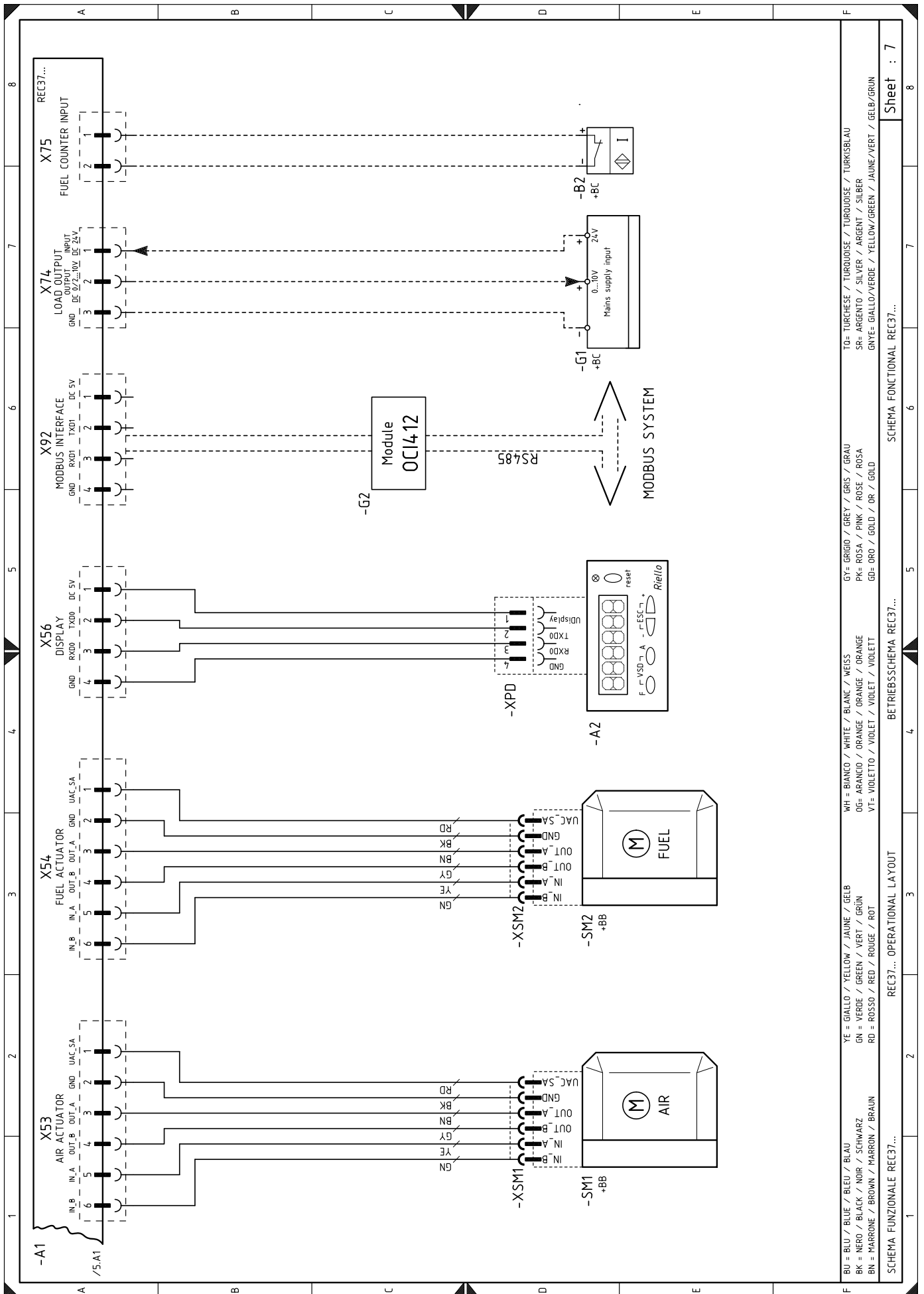
YE= GIALLO / YELLOW / JAUNE / GELB  
 GN= VERDE / GREEN / VERT / GRUN  
 RD= ROSSO / RED / ROUGE / ROT

BU= BLU / BLUE / BLEU / BLAU  
 BK= NERO / BLACK / NOIR / SCHWARZ  
 BN= MARRONE / BROWN / MARRON / BRAUN

SCHEMA FUNZIONALE REC37...  
 REC37... OPERATIONAL LAYOUT  
 BETRIEBSSCHEMA REC37...  
 SCHEMA FUNZIONALE REC37...  
 Sheet : 5

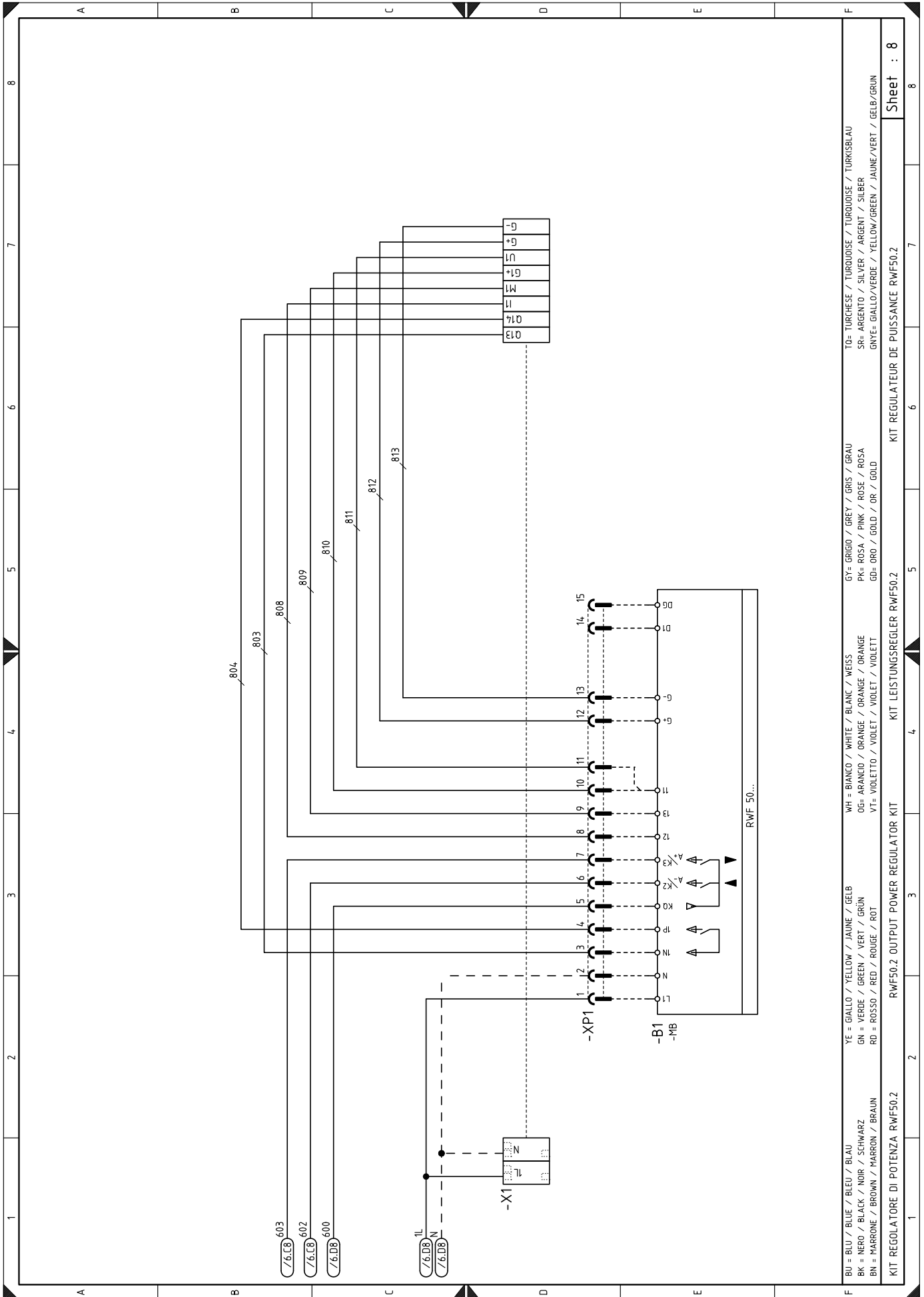


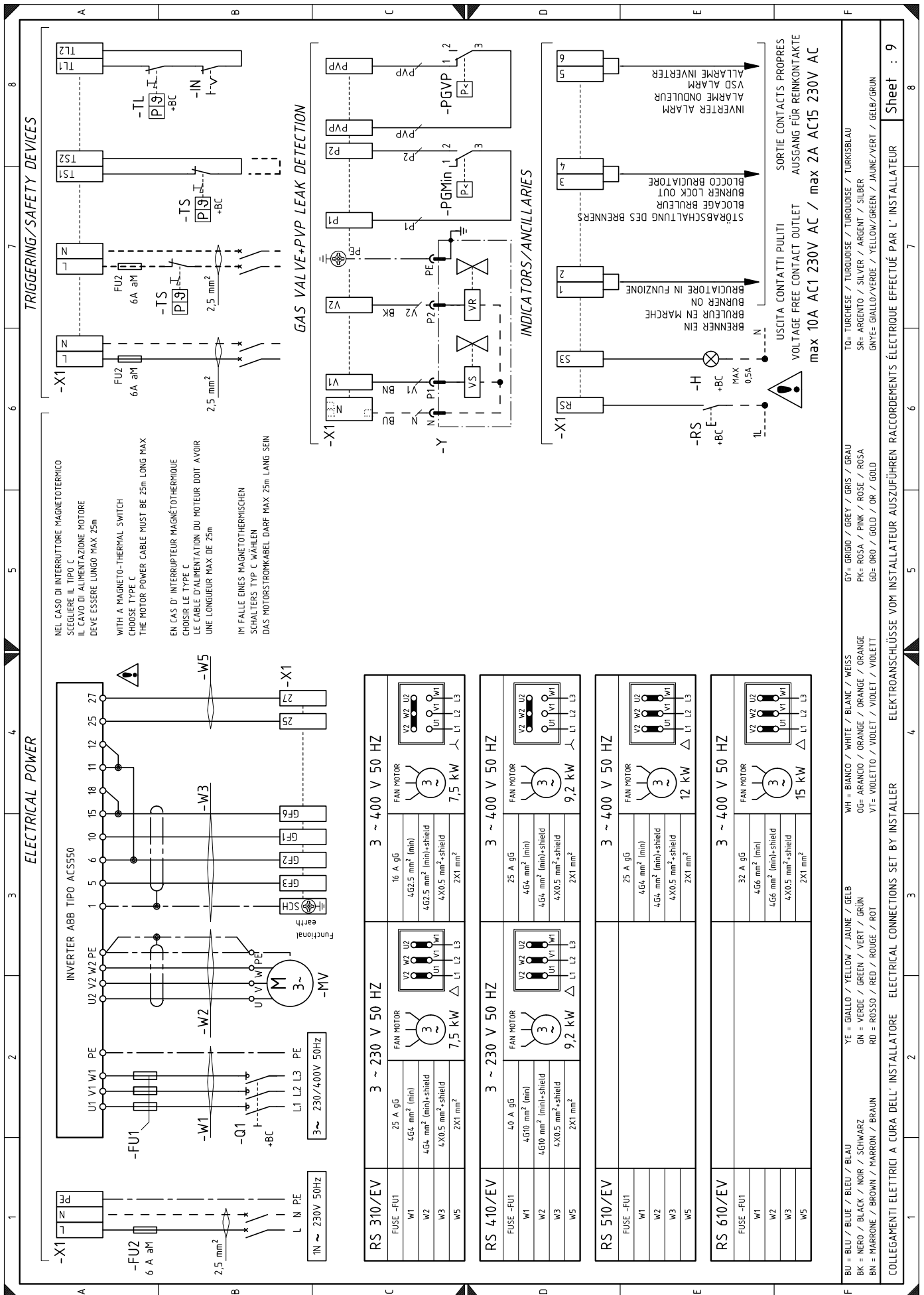




BU = BLU / BLUE / BLEU / BLAU	YE = GIALLO / YELLOW / JAUNE / GELB	WH = BIANCO / WHITE / BLANK / WEISS	GY = GRIGIO / GREY / GRIS / GRAU	TO = TURCHESE / TURQUOISE / TURKISBLAU
BK = NERO / BLACK / NOIR / SCHWARZ	GN = VERDE / GREEN / VERT / GRÜN	OG = ARANCIO / ORANGE / ORANGE	PK = ROSA / PINK / ROSE / ROSA	SR = ARGENTO / SILVER / ARGENT / SILBER
BN = MARRONE / BROWN / MARRON / BRAUN	RD = ROSSO / RED / ROUGE / ROT	VF = VIOLETTO / VIOLET / VIOLET / VIOLETT	GD = ORO / GOLD / OR / GOLD	GNVE = GIALLO/VERDE / YELLOW/GREEN / JAUNE/VERT / GELB/GRÜN

REC37... OPERATIONAL LAYOUT      REC37... FUNCTIONAL REC37...      SCHEMA FUNZIONALE REC37...      SCHEMA FUNCTIONAL REC37...      Sheet : 7



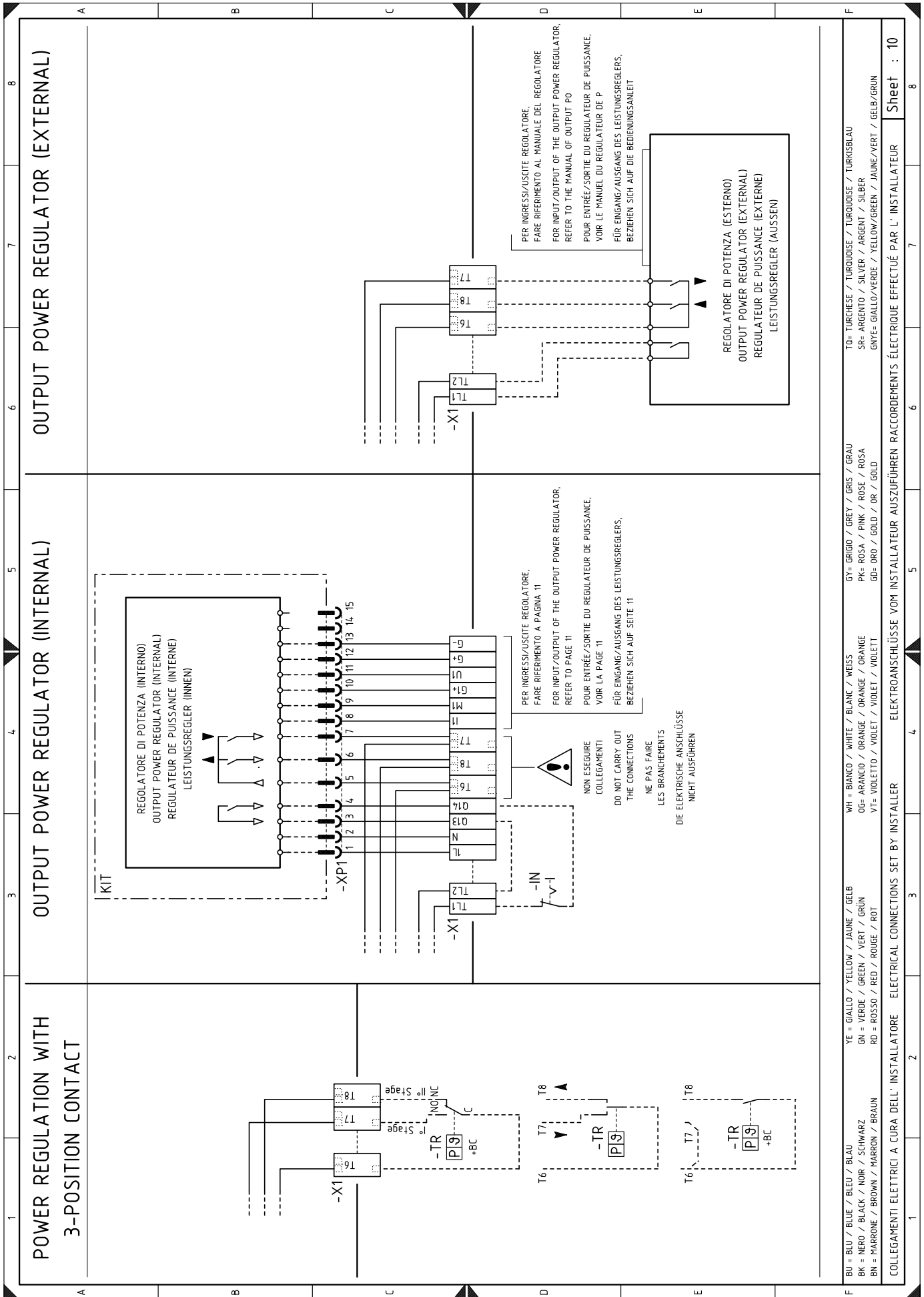


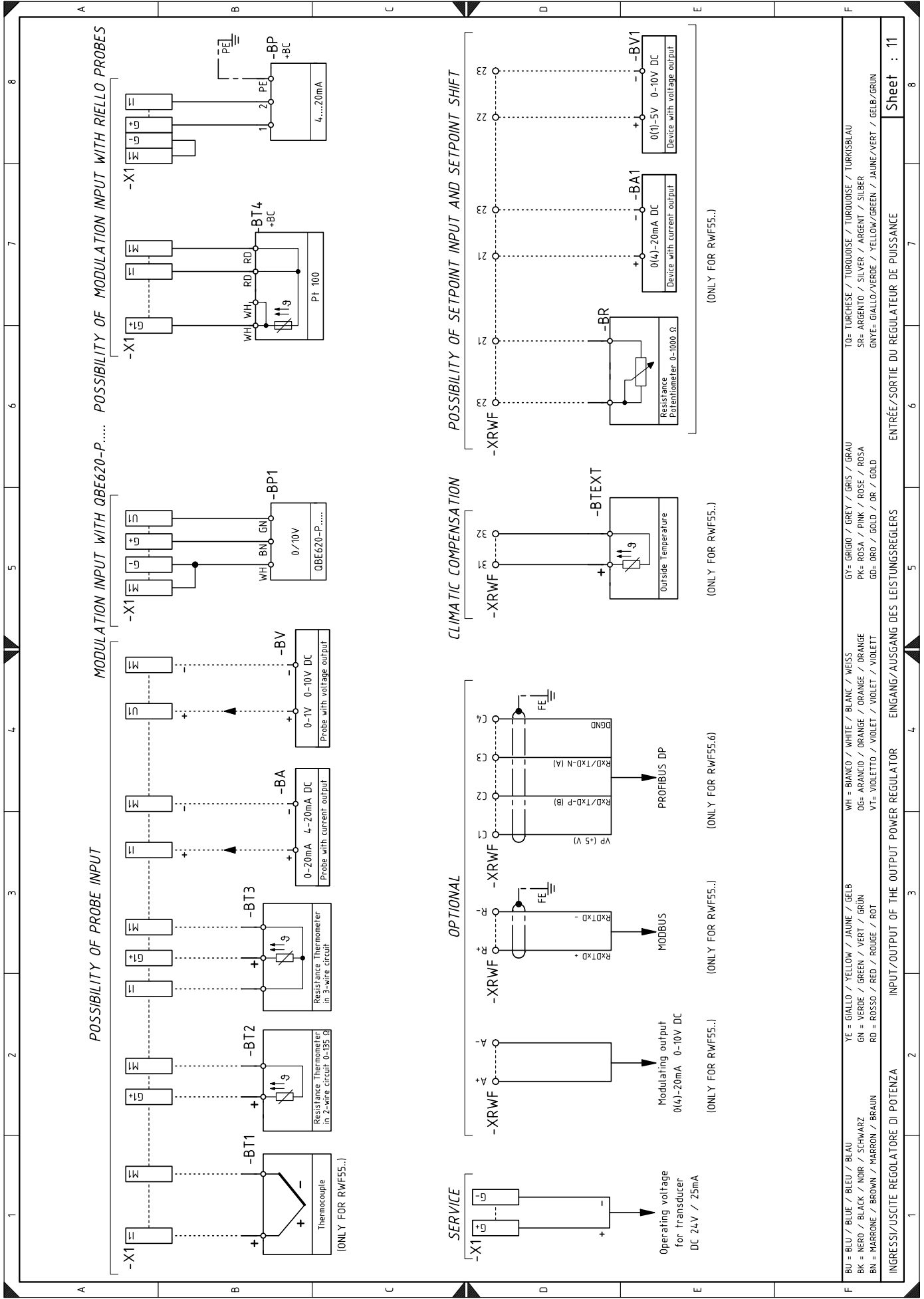
Model	Power	Motor	Wiring
RS 310/EV	3 ~ 230 V 50 HZ	FAN MOTOR	16 A, 90°
		FUSE -FU1	25 A, 90°
		W1	4G2.5 mm <sup>2</sup> (min)
		W2	4G2.5 mm <sup>2</sup> (min)+shield
RS 410/EV	3 ~ 230 V 50 HZ	FAN MOTOR	25 A, 90°
		FUSE -FU1	40 A, 90°
		W1	4G10 mm <sup>2</sup> (min)
		W2	4G10 mm <sup>2</sup> (min)+shield
RS 510/EV	3 ~ 400 V 50 HZ	FAN MOTOR	25 A, 90°
		FUSE -FU1	25 A, 90°
		W1	4G4 mm <sup>2</sup> (min)
		W2	4G4 mm <sup>2</sup> (min)+shield
RS 610/EV	3 ~ 400 V 50 HZ	FAN MOTOR	32 A, 90°
		FUSE -FU1	32 A, 90°
		W1	4G6 mm <sup>2</sup> (min)
		W2	4G6 mm <sup>2</sup> (min)+shield

YE = GIALLO / YELLOW / JAUNE / GELB  
 GN = VERDE / GREEN / VERT / GRÜN  
 RD = ROSSO / RED / ROUGE / ROT  
 WH = BIANCO / WHITE / BLANC / WEISS  
 OG = ARANCIO / ORANGE / ORANGE / ORANGE  
 VI = VIOLETTO / VIOLET / VIOLET / VIOLETTI

GY = GRIGIO / GREY / GRIS / GRAU  
 SR = ARGENTO / SILVER / ARGENT / SILBER  
 GNVE = GIALLO/VERDE / YELLOW/GREEN / JAUNE/VERT / GELB/GRÜN  
 PK = ROSA / PINK / ROSE / ROSA  
 GD = ORO / GOLD / OR / GOLD

TO = TURCHESE / TURQUOISE / TURKOISE / TURKISBLAU  
 SR = ARGENTO / SILVER / ARGENT / SILBER  
 GNVE = GIALLO/VERDE / YELLOW/GREEN / JAUNE/VERT / GELB/GRÜN





**Wiring layout key**

A1	Electronic cam	X1	Main terminal supply board
A2	Display and calibration unit	XPD	Plug for on board display
B1	Output regulator RWF40 internal	XP1	Connector for output power regulator kit
B2	Output regulator RWF40 external	XPGMax	Maximum gas pressure switch connector
BA	Output probe in current	XPGMin	Minimum gas pressure switch connector
BA1	Device with output undercurrent, for modifying remote setpoint	XPGVP	Gas pressure switch connector for valve leak detection control device
BP	Pressure probe	XRWF	Terminal board for output power regulator
BP1	Pressure probe		
BR	Remote setpoint potentiometer		
BT1	Thermocouple probe		
BT2	Probe Pt100, 2 wires		
BT3	Probe Pt100, 3 wires		
BT4	Probe Pt100, 3 wires		
BTEXT	External probe for climatic compensation of the setpoint		
BV	Output probe in voltage		
BV1	Output device in voltage to modify remote setpoint		
CN1	Ionisation probe connector		
FU	Auxiliary circuits safety fuse		
GF	Inverter		
G1	Load indicator		
G2	Communication interface for Modbus system		
H	Burner working lighting signal output		
IN	Burner manual stop electric switch		
ION	Ionisation probe		
K1	Clean contacts output relay burner switched on		
K2	Clean contacts output relay burner lockout		
K3	Clean contacts output relay VSD alarm		
K4	Clean contacts output relay		
MV	Fan motor		
PA	Air pressure switch		
PE	Burner earth		
PGMax	Maximum gas pressure switch		
PGMin	Minimum gas pressure switch		
PGVP	Gas pressure switch for valve leak detection control device		
RS	Burner reset switch		
S2	ON/OFF selector		
SM1	Air servomotor		
SM2	Gas servomotor		
TA	Ignition transformer		
TL	Limit thermostat/pressure switch		
TR	Adjustment thermostat/pressure switch		
TS	Safety thermostat/pressure switch		
Y	Gas regulator valve + gas safety valve		



---

**RIELLO**

RIELLO S.p.A.  
I-37045 Legnago (VR)  
Tel.: +39.0442.630111  
[http:// www.riello.it](http://www.riello.it)  
[http:// www.riello.com](http://www.riello.com)