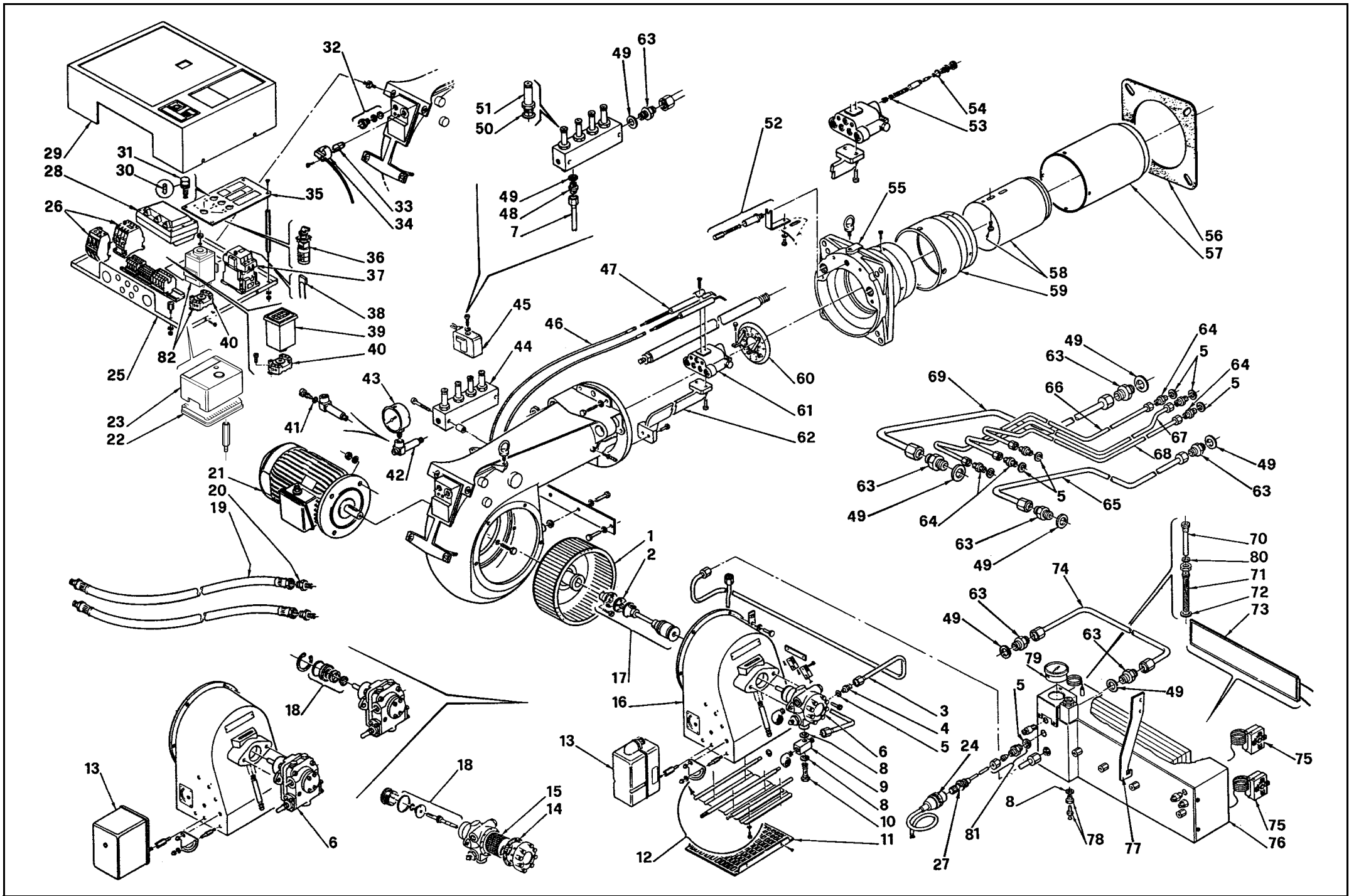


- I** Bruciatori di nafta
- GB** Heavy oil burners
- F** Brûleurs fioul lourd
- D** Schwerölbrenner
- E** Quemadores de nafta

Funzionamento tristadio
Three-stage operation
Fonctionnement à trois allures
Dreistufiger Betrieb
Funcionamiento de tres llamas

| CODICE - CODE CÓDIGO | MODELLO - MODEL - MODELE MODELL - MODELO | TIPO - TYPE - TYP |
|-------------------------|---|-------------------|
| 3436833 | P 140 T/N | 466 M1 |
| 3436834 | P 140 T/N | 466 M1 |
| 3437733 | P 200 T/N | 467 M1 |
| 3437734 | P 200 T/N | 467 M1 |
| 3438964 | P 300 T/N | 468 M1 |
| 3438965 | P 300 T/N | 468 M1 |
| 3438966 | P 300 T/N | 468 M1 |
| 3438967 | P 300 T/N | 468 M1 |
| 3438968 | P 300 T/N | 468 M1 |
| 3438969 | P 300 T/N | 468 M1 |
| 3439345 | P 450 T/N | 469 M1 |
| 3439346 | P 450 T/N | 469 M1 |
| 3439347 | P 450 T/N | 469 M1 |
| 3439348 | P 450 T/N | 469 M1 |



| N. | COD. | 466 M1 | | 467 M1 | | 468 M1 | | | | 469 M1 | | | | DESCRIZIONE | DESCRIPTION | DESCRIPTION | BESCHREIBUNG | DENOMINACION | MATRICOLA BRUCIATORE BURNER SERIAL NUMBER MATRICULE BRULEUR BRENNER KENN-NUMMER MATRICULA QUEMADORES | RICAMBI CONSIGLIATI ADVISED PARTS RECHANGE CONSEIL EMPFOHLENE ERSATZTEILE RECAMBIOS ACONSEJADOS |
|----|---------|---------|-----------|---------|-----------|---------|-----------|---------|-----------|---------|-----------|---------|-----------|---------------------|---------------------|-----------------------|------------------|-----------------------|--|---|
| | | 3436833 | 3436834 * | 3437733 | 3437734 * | 3438964 | 3438965 * | 3438966 | 3438967 * | 3438968 | 3438969 * | 3439345 | 3439346 * | | | | | | | |
| 1 | 3005508 | • | • | • | • | | | | | | | | | GIRANTE | FAN | TURBINE | GEBLÄSERAD | TURBINA | | C |
| 1 | 3006155 | | | | | • | • | • | • | • | | | | GIRANTE | FAN | TURBINE | GEBLÄSERAD | TURBINA | | C |
| 1 | 3006240 | | | | | | | | | | • | • | • | GIRANTE | FAN | TURBINE | GEBLÄSERAD | TURBINA | | C |
| 2 | 3004821 | • | • | • | • | • | • | • | • | • | • | • | • | DISCO ELASTICO | DRIVE DISC | DISQUE ELASTIQUE | KUPPLUNGSSCHEIBE | DISCO ELÁSTICO | | |
| 3 | 3003221 | • | • | • | • | | | | | | | | | TUBO | TUBE | TUYAUTERIE | DRUCKROHR | TUBO | | |
| 3 | 3003222 | | | | | • | • | • | • | • | | | | TUBO | TUBE | TUYAUTERIE | DRUCKROHR | TUBO | | |
| 3 | 3003223 | | | | | | | | | | • | • | • | TUBO | TUBE | TUYAUTERIE | DRUCKROHR | TUBO | | |
| 4 | 3003224 | • | • | • | • | | | | | | | | | RACCORDO | CONNECTOR | MAMELON | NIPPEL | RACORD | | C |
| 4 | 3003225 | | | | | • | • | • | • | • | • | • | • | RACCORDO | CONNECTOR | MAMELON | NIPPEL | RACORD | | C |
| 5 | 3007079 | • | • | • | • | • | • | • | • | • | • | • | • | GUARNIZIONE | SEAL | RONDELLE | METALLDICHTUNG | MEMBRANA | | B |
| 6 | 3006156 | • | • | • | • | | | | | | | | | POMPA | PUMP | POMPE | PUMPE | BOMBA | | B |
| 6 | 3006157 | | | | | • | • | • | • | • | | | | POMPA | PUMP | POMPE | PUMPE | BOMBA | | B |
| 6 | 3006158 | | | | | | | | | | • | • | • | POMPA | PUMP | POMPE | PUMPE | BOMBA | | B |
| 7 | 3003749 | • | • | • | • | | | | | | | | | TUBO | TUBE | TUYAUTERIE | DRUCKROHR | TUBO | | |
| 7 | 3003750 | | | | | • | • | • | • | • | | | | TUBO | TUBE | TUYAUTERIE | DRUCKROHR | TUBO | | |
| 7 | 3003751 | | | | | | | | | | • | • | • | TUBO | TUBE | TUYAUTERIE | DRUCKROHR | TUBO | | |
| 8 | 3007164 | • | • | • | • | • | • | • | • | • | • | • | • | GUARNIZIONE | SEAL | RONDELLE | METALLDICHTUNG | MEMBRANA | | B |
| 9 | 3003229 | • | • | • | • | • | • | • | • | • | • | • | • | RACCORDO | CONNECTOR | MAMELON | NIPPEL | RACORD | | C |
| 10 | 3006184 | • | • | • | • | • | • | • | • | • | • | • | • | PERNO | SCREW | VIS CREUSE | HOHLKERNSCHRAUBE | PERNO | | C |
| 11 | 3003086 | • | • | • | • | | | | | | | | | PROTEZIONE | GRID | PROTECTION | SCHUTZGITTER | PROTECCIÓN | | |
| 11 | 3003087 | | | | | • | • | • | • | • | | | | PROTEZIONE | GRID | PROTECTION | SCHUTZGITTER | PROTECCIÓN | | |
| 11 | 3003088 | | | | | | | | | | • | • | • | PROTEZIONE | GRID | PROTECTION | SCHUTZGITTER | PROTECCIÓN | | |
| 12 | 3003230 | • | • | • | • | | | | | | | | | GRUPPO SERRANDA | AIR DAMPER ASSEMBLY | GROUPE VOLET AIR | LUFTKLAPPE | REGISTRO AIRE | | |
| 12 | 3003231 | | | | | • | • | • | • | • | | | | GRUPPO SERRANDA | AIR DAMPER ASSEMBLY | GROUPE VOLET AIR | LUFTKLAPPE | REGISTRO AIRE | | |
| 12 | 3003232 | | | | | | | | | | • | • | • | GRUPPO SERRANDA | AIR DAMPER ASSEMBLY | GROUPE VOLET AIR | LUFTKLAPPE | REGISTRO AIRE | | |
| 13 | 3006311 | • | • | • | • | • | • | • | • | • | | | | SERVOMOTORE | SERVOMOTOR | SERVOMOTEUR | STELLMOTOR | SERVMOTOR | ≤ 02463000417 | B |
| 13 | 3013395 | • | • | • | • | • | • | • | • | • | | | | SERVOMOTORE | SERVOMOTOR | SERVOMOTEUR | STELLMOTOR | SERVMOTOR | ≥ 02463000418 | B |
| 13 | 3003233 | | | | | | | | | | • | • | • | SERVOMOTORE | SERVOMOTOR | SERVOMOTEUR | STELLMOTOR | SERVMOTOR | | B |
| 14 | 3006292 | • | • | • | • | | | | | | | | | GUARNIZIONE | SEAL | JOINT COUVERCLE POMPE | PUMPENDICHTUNG | MEMBRANA | | A |
| 15 | 3006308 | • | • | • | • | | | | | | | | | FILTRO | FILTER | FILTRE | PUMPENFILTER | FILTRO | | A |
| 16 | 3003234 | • | • | • | • | | | | | | | | | BOCCA D'ASPIRAZIONE | AIR INTAKE | BOITIER D'ASPIRATION | ANSAUGÖFFNUNG | BOCA ASPIRACIÓN | | |
| 16 | 3003235 | | | • | • | | | | | | | | | BOCCA D'ASPIRAZIONE | AIR INTAKE | BOITIER D'ASPIRATION | ANSAUGÖFFNUNG | BOCA ASPIRACIÓN | | |
| 16 | 3003236 | | | | | • | • | • | • | • | | | | BOCCA D'ASPIRAZIONE | AIR INTAKE | BOITIER D'ASPIRATION | ANSAUGÖFFNUNG | BOCA ASPIRACIÓN | | |
| 16 | 3003237 | | | | | | | | | | • | • | • | BOCCA D'ASPIRAZIONE | AIR INTAKE | BOITIER D'ASPIRATION | ANSAUGÖFFNUNG | BOCA ASPIRACIÓN | | |
| 17 | 3000738 | • | • | • | • | | | | | | | | | GRUPPO GIUNZIONE | DRIVE COUPLING | ACCOUPEMENT | KUPPLUNG | ACOPLADOR IMPULSOR | | A |
| 17 | 3000739 | | | | | • | • | • | • | • | | | | GRUPPO GIUNZIONE | DRIVE COUPLING | ACCOUPEMENT | KUPPLUNG | ACOPLADOR IMPULSOR | | A |
| 17 | 3000741 | | | | | | | | | | • | • | • | GRUPPO GIUNZIONE | DRIVE COUPLING | ACCOUPEMENT | KUPPLUNG | ACOPLADOR IMPULSOR | | A |
| 18 | 3000766 | • | • | • | • | | | | | | | | | ORGANO DI TENUTA | PUMP SEAL | ORGANE D'ETANCHEITE | WELLENDICHTUNG | CONNJUNTO ESTANQUIDAD | | |
| 18 | 3000804 | | | | | • | • | • | • | • | • | • | • | ORGANO DI TENUTA | PUMP SEAL | ORGANE D'ETANCHEITE | WELLENDICHTUNG | CONNJUNTO ESTANQUIDAD | | |
| 19 | 3012714 | • | • | • | • | • | • | • | • | • | • | • | • | TUBO FLESSIBILE | FLEXIBLE OIL LINE | FLEXIBLE | SCHLAUCH | TUBO FLEXIBLE | | A |
| 20 | 3006181 | • | • | • | • | • | • | • | • | • | • | • | • | RACCORDO | CONNECTOR | MAMELON | NIPPEL | RACORD | | C |
| 21 | 3008408 | • | • | | | | | | | | | | | MOTORE | MOTOR | MOTEUR | MOTOR | MOTOR | | C |
| 21 | 3005215 | | | • | • | | | | | | | | | MOTORE | MOTOR | MOTEUR | MOTOR | MOTOR | | C |
| 21 | 3013565 | | | | | • | • | • | • | | | | | MOTORE | MOTOR | MOTEUR V | MOTOR | MOTOR | | C |

| N. | COD. | 466 M1 | | 467 M1 | | 468 M1 | | | | 469 M1 | | | | DESCRIZIONE | DESCRIPTION | DESCRIPTION | BESCHREIBUNG | DENOMINACION | MATRICOLA BRUCIATORE BURNER SERIAL NUMBER MATRICULE BRULEUR BRENNER KENN-NUMMER MATRICULA QUEMADORES | RICAMBI CONSIGLIATI ADVISED PARTS RECHARGE CONSEIL EMPFOHLENE ERSATZTEILE RECAMBIOS ACONSEJADOS |
|----|----------|---------|-----------|---------|-----------|---------|-----------|---------|-----------|---------|-----------|---------|-----------|--------------------------|------------------------|-----------------------------|---------------------------|---------------------------|--|---|
| | | 3436833 | 3436834 * | 3437733 | 3437734 * | 3438964 | 3438965 * | 3438966 | 3438967 * | 3438968 | 3438969 * | 3439345 | 3439346 * | | | | | | | |
| 21 | 3013595 | | | | | | | | | | | | | MOTORE | MOTOR | MOTEUR | MOTOR | MOTOR | | C |
| 21 | 3013596 | | | | | | | | | | | | | MOTORE | MOTOR | MOTEUR | MOTOR | MOTOR | | C |
| 21 | 20050961 | | | | | | | | | | | | | MOTORE | MOTOR | MOTEUR | MOTOR | MOTOR | | C |
| 22 | 3003784 | • | • | • | • | • | • | • | • | • | • | • | • | MORSETTIERA | CONTROL BOX BASE | SOCLE | STECKSOCKEL | ZÓCALO CAJA CONTROL | | C |
| 23 | 3013071 | • | • | • | • | • | • | • | • | • | • | • | • | APPARECCHIATURA | CONTROL BOX | BOITE DE CONTROLE | STEUERGERÄT | CAJA CONTROL | | B |
| 24 | 3003748 | • | • | • | • | • | • | • | • | • | • | • | • | CONNETTORE | JACK | CONNECTEUR | STECKVERBINDER | CONECTOR | | C |
| 25 | 3003098 | • | • | • | • | • | • | • | • | • | • | • | • | MENSOLA | BASE PLATE | PLAQUE DE SUPPORT | GRUNDPLATTE | SOPORTE | | |
| 26 | 3012363 | • | • | | | | | | | | | | | RELE' TERMICO+CONTATTORE | OVERLOAD+CONTACTOR | RELAIS THERMIQUE+CONTACTEUR | ÜBERSTROMAUSLÖSER+SCHÜTZ | RELÉ TÉRMICO+TEMPORIZADOR | ≥ 02127000157 | C |
| 26 | 3003621 | | | • | • | | | | | | | | | RELE' TERMICO+CONTATTORE | OVERLOAD+CONTACTOR | RELAIS THERMIQUE+CONTACTEUR | ÜBERSTROMAUSLÖSER+SCHÜTZ | RELÉ TÉRMICO+TEMPORIZADOR | ≥ 02127000157 | C |
| 26 | 3012361 | | | | | • | • | • | • | • | • | • | • | RELE' TERMICO+CONTATTORE | OVERLOAD+CONTACTOR | RELAIS THERMIQUE+CONTACTEUR | ÜBERSTROMAUSLÖSER+SCHÜTZ | RELÉ TÉRMICO+TEMPORIZADOR | ≥ 02127000157 | C |
| 27 | 3003747 | • | • | • | • | • | • | • | • | • | • | • | • | TERMORESISTENZA | RESISTANCE THERMOMETRE | THERMOMETRE A RESISTANCE | TAUCHTEMPERATURFÜHLER | TERMOSTATO RESISTENCIA | | B |
| 28 | 3012164 | • | • | • | • | • | • | • | • | • | • | • | • | TRASFORMATORE | TRANSFORMER | TRANSFORMATEUR | ZÜNDTRANSFORMATOR | TRANSFORMADOR | | B |
| 29 | 3003157 | • | • | • | • | • | • | • | • | • | • | • | • | COPERCHIO | COVER | COUVERCLE | DECKEL | TAPA | | |
| 30 | 3006256 | • | • | • | • | • | • | • | • | • | • | • | • | LAMPADA | BULB | AMPOULE | SIGNALLEUCHE | LÁMPARA | | A |
| 31 | 3006168 | • | • | • | • | • | • | • | • | • | • | • | • | GRUPPO SEGNAZIONE | SIGNAL LAMP | LAMPE SIGNALISATION | MELDELAMPE MIT HALTER | CONJUNTO ALERTA | | C |
| 32 | 3003097 | • | • | • | • | • | • | • | • | • | • | • | • | VETRINO | VIEWING PORT | REGARD | SCHAUGLAS | MIRILLA | | |
| 33 | 3002280 | • | • | • | • | • | • | • | • | • | • | • | • | FOTORESISTENZA | P.E. CELL | CELLULE | FOTOWIDERSTAND | FOTORESISTENCIA | | A |
| 34 | 3006212 | • | • | • | • | • | • | • | • | • | • | • | • | PRESA | HOLDER | PRISE CELLULE | SOCKEL | CONECTOR | | C |
| 35 | 3003238 | • | • | • | • | • | • | • | • | • | • | • | • | PANNELLO | PANEL | PANNEAU | MONTAGEPLATTE | RECUADRO | | |
| 36 | 3006164 | • | • | • | • | • | • | • | • | • | • | • | • | COMMUTATORE | SELECTOR SWITCH | COMMUTATEUR | WAHLSCHALTER | CONMUTADOR | | C |
| 37 | 3012321 | • | • | • | • | • | • | • | • | • | • | • | • | CONTATTORE | CONTACTOR | CONTACTEUR | SCHÜTZ | CONTACTOR | ≥ 02127000157 | C |
| 37 | 3012322 | • | • | • | • | • | • | • | • | • | • | • | • | CONTATTORE | CONTACTOR | CONTACTEUR | SCHÜTZ | CONTACTOR | ≥ 02127000157 | C |
| 38 | 3002305 | • | • | • | • | • | • | • | • | • | • | • | • | SOPPRESSORE | DAMPER | CONDENSATEUR | FUNKENTSTÖRUNG | SUPRESOR | | |
| 39 | 3003706 | • | • | • | • | • | • | • | • | • | • | • | • | TERMOSTATO ELETTRONICO | ELECTRONIC THERMOSTAT | THERMOSTAT ELECTRONIQUE | ELEKTRONISCHER THERMOSTAT | TERMÓSTATO | | B |
| 40 | 3006371 | • | • | • | • | • | • | • | • | • | • | • | • | ZOCCOLO | BASE | SOCLE | SOCKEL | ZÓCALO | | C |
| 41 | 3007169 | • | • | • | • | • | • | • | • | • | • | • | • | ANELLO OR | O RING | JOINT TORIQUE | O-RING | AJUNTA AISLANTE | | B |
| 42 | 3006540 | • | • | • | • | • | • | • | • | • | • | • | • | VALVOLA | NEEDLE VALVE | ROBINET POINTEAU | NADELVENTIL | VÁLVULA | | C |
| 43 | 3006140 | • | • | • | • | • | • | • | • | • | • | • | • | MANOMETRO | PRESSURE GAUGE | MANOMETRE | MANOMETER | MANÓMETRO | | A |
| 44 | 3003707 | • | • | • | • | • | • | • | • | • | • | • | • | GRUPPO VALVOLE | VALVE ASSEMBLY | GROUPE ELECTROVANNE | MAGNETVENTILBLOCK | CONJUNTO VÁLVULAS | | B |
| 45 | 3003001 | • | • | • | • | • | • | • | • | • | • | • | • | BOBINA | COIL | BOBINE E.V. | MV-SPULE | BOBINA | | B |
| 46 | 3012163 | • | • | • | • | • | • | • | • | • | • | • | • | COLLEGAMENTO | H.T. LEAD | CABLE H.T. | ZÜNDKABEL | CABLE ALTA TENSIÓN | | A |
| 47 | 3006178 | • | • | • | • | • | • | • | • | • | • | • | • | ELETTRODO CORTO | SHORT ELECTRODE | ELECTRODE COURTE | KURZE ELEKTRODE | ELECTRODO CORTO | | A |
| 47 | 3006179 | • | • | • | • | • | • | • | • | • | • | • | • | ELETTRODO LUNGO | LONG ELECTRODE | ELECTRODE LONGUE | LANGE ELEKTRODE | ELECTRODO LARGO | | A |
| 48 | 3003240 | • | • | • | • | • | • | • | • | • | • | • | • | RACCORDO | CONNECTOR | MAMELON | NIPPEL | RACORD | | C |
| 49 | 3007082 | • | • | • | • | • | • | • | • | • | • | • | • | GUARNIZIONE | SEAL | RONDELLE | METALLDICHTUNG | JUNTA | | B |
| 50 | 3007081 | • | • | • | • | • | • | • | • | • | • | • | • | GUARNIZIONE | SEAL | RONDELLE | METALLDICHTUNG | JUNTA | | B |
| 51 | 3005392 | • | • | • | • | • | • | • | • | • | • | • | • | GUAINA | ARMATURE SLEEVE | GAIN E.V. | MV-HÜLSE | VÁLVULA | | |
| 52 | 3006177 | • | • | | | | | | | | | | | GRUPPO AVANZAMENTO | ADJUSTMENT ASSEMBLY | GROUPE ENTRAINEMENT | VORSCHUB HEBELSYSTEM | GRUPO DE AJUSTE | | |
| 52 | 3006195 | | | • | • | | | | | | | | | GRUPPO AVANZAMENTO | ADJUSTMENT ASSEMBLY | GROUPE ENTRAINEMENT | VORSCHUB HEBELSYSTEM | GRUPO DE AJUSTE | | |
| 52 | 3006209 | | | | | • | • | • | • | • | • | • | • | GRUPPO AVANZAMENTO | ADJUSTMENT ASSEMBLY | GROUPE ENTRAINEMENT | VORSCHUB HEBELSYSTEM | GRUPO DE AJUSTE | | |
| 53 | 3007025 | • | • | • | • | • | • | • | • | • | • | • | • | ANELLO OR | O RING | JOINT TORIQUE | O-RING | AJUNTA AISLANTE | | B |
| 54 | 3005372 | • | • | • | • | • | • | • | • | • | • | • | • | GUARNIZIONE | SEAL | RONDELLE | METALLDICHTUNG | JUNTA | | B |
| 55 | 3006170 | • | • | | | | | | | | | | | BOCCAGLIO | BLAST TUBE | GUEULARD | BRENNERFLANSCH | TUBO LLAMA | | |
| 55 | 3006189 | | | • | • | | | | | | | | | BOCCAGLIO | BLAST TUBE | GUEULARD | BRENNERFLANSCH | TUBO LLAMA | | |

| N. | COD. | 466 M1 | | 467 M1 | | 468 M1 | | | | 469 M1 | | | | DESCRIZIONE | DESCRIPTION | DESCRIPTION | BESCHREIBUNG | DENOMINACION | MATRICOLA BRUCIATORE BURNER SERIAL NUMBER MATRICULE BRULEUR BRENNER KENN-NUMMER MATRICULA QUEMADORES | RICAMBI CONSIGLIATI ADVISED PARTS RECHANGE CONSEIL EMPFOHLENE ERSATZTEILE RECAMBIOS A CONSEJADOS |
|----|---------|---------|-----------|---------|-----------|---------|-----------|---------|-----------|---------|-----------|---------|-----------|----------------|----------------------|-----------------|------------------|---------------------|--|--|
| | | 3436833 | 3436834 * | 3437733 | 3437734 * | 3438964 | 3438965 * | 3438966 | 3438967 * | 3438968 | 3438969 * | 3439345 | 3439346 * | | | | | | | |
| 55 | 3006203 | | | | | • | • | • | • | • | • | | | BOCCAGLIO | BLAST TUBE | GUEULARD | BRENNERFLANSCH | TUBO LLAMA | | |
| 55 | 3006242 | | | | | | | | | | | • | • | BOCCAGLIO | BLAST TUBE | GUEULARD | BRENNERFLANSCH | TUBO LLAMA | | |
| 56 | 3006180 | • | • | • | • | | | | | | | | | SCHERMO | FLANGE GASKET | ECRAN THERMIQUE | FLANSCHDICHTUNG | JUNTA AISLANTE | | A |
| 56 | 3006210 | | | | | • | • | • | • | • | • | | | SCHERMO | FLANGE GASKET | ECRAN THERMIQUE | FLANSCHDICHTUNG | JUNTA AISLANTE | | A |
| 56 | 3006244 | | | | | | | | | | | • | • | SCHERMO | FLANGE GASKET | ECRAN THERMIQUE | FLANSCHDICHTUNG | JUNTA AISLANTE | | A |
| 57 | 3006173 | • | • | | | | | | | | | | | IMBUTO FIAMMA | END CONE | EMBOUT GUEULARD | FLAMMENROHR | TUBO EXTREMO | | B |
| 57 | 3006191 | | | • | • | | | | | | | | | IMBUTO FIAMMA | END CONE | EMBOUT GUEULARD | FLAMMENROHR | TUBO EXTREMO | | B |
| 57 | 3006205 | | | | | • | • | • | • | • | • | | | IMBUTO FIAMMA | END CONE | EMBOUT GUEULARD | FLAMMENROHR | TUBO EXTREMO | | B |
| 57 | 3006599 | | | | | | | | | | | • | • | IMBUTO FIAMMA | END CONE | EMBOUT GUEULARD | FLAMMENROHR | TUBO EXTREMO | | B |
| 58 | 3006174 | • | | | | | | | | | | | | CILINDRO CORTO | SHORT SLEEVE | CYLINDRE COURT | KURZER ZYLINDER | CILINDRO CORTO | | C |
| 58 | 3006176 | | • | | | | | | | | | | | CILINDRO LUNGO | LONG SLEEVE | CYLINDRE LONG | LANGER ZYLINDER | CILINDRO LARGO | | C |
| 58 | 3006192 | | | • | | | | | | | | | | CILINDRO CORTO | SHORT SLEEVE | CYLINDRE COURT | KURZER ZYLINDER | CILINDRO CORTO | | C |
| 58 | 3006194 | | | | • | | | | | | | | | CILINDRO LUNGO | LONG SLEEVE | CYLINDRE LONG | LANGER ZYLINDER | CILINDRO LARGO | | C |
| 58 | 3006258 | | | | | • | | • | | • | | | | CILINDRO CORTO | SHORT SLEEVE | CYLINDRE COURT | KURZER ZYLINDER | CILINDRO CORTO | | C |
| 58 | 3006259 | | | | | | • | | • | | • | | | CILINDRO LUNGO | LONG SLEEVE | CYLINDRE LONG | LANGER ZYLINDER | CILINDRO LARGO | | C |
| 58 | 3006596 | | | | | | | | | | | • | • | CILINDRO CORTO | SHORT SLEEVE | CYLINDRE COURT | KURZER ZYLINDER | CILINDRO CORTO | | C |
| 58 | 3006597 | | | | | | | | | | | | • | CILINDRO LUNGO | LONG SLEEVE | CYLINDRE LONG | LANGER ZYLINDER | CILINDRO LARGO | | C |
| 59 | 3006175 | | • | | | | | | | | | | | PROLUNGA | BLAST TUBE EXTENSION | RALLONGE | VERLÄNGERUNG | PROLONGACIÓN | | |
| 59 | 3006193 | | | | • | | | | | | | | | PROLUNGA | BLAST TUBE EXTENSION | RALLONGE | VERLÄNGERUNG | PROLONGACIÓN | | |
| 59 | 3006207 | | | | | | • | | • | | • | | | PROLUNGA | BLAST TUBE EXTENSION | RALLONGE | VERLÄNGERUNG | PROLONGACIÓN | | |
| 59 | 3006245 | | | | | | | | | | | • | • | PROLUNGA | BLAST TUBE EXTENSION | RALLONGE | VERLÄNGERUNG | PROLONGACIÓN | | |
| 60 | 3006171 | • | • | | | | | | | | | | | ELICA | DIFFUSER DISC | ACCROCHE FLAMME | STAUSCHEIBE | DISCO ESTABILIZADOR | | A |
| 60 | 3006190 | | | • | • | | | | | | | | | ELICA | DIFFUSER DISC | ACCROCHE FLAMME | STAUSCHEIBE | DISCO ESTABILIZADOR | | A |
| 60 | 3006204 | | | | | • | • | • | • | • | • | | | ELICA | DIFFUSER DISC | ACCROCHE FLAMME | STAUSCHEIBE | DISCO ESTABILIZADOR | | A |
| 60 | 3003241 | | | | | | | | | | | • | • | ELICA | DIFFUSER DISC | ACCROCHE FLAMME | STAUSCHEIBE | DISCO ESTABILIZADOR | | A |
| 61 | 3006172 | • | • | • | • | • | • | • | • | • | • | • | • | POLVERIZZATORE | NOZZLE HOLDER | PULVERISATEUR | DÜSENSTOCK | PORTABOQUILLA | | B |
| 62 | 3006196 | • | | • | | | | | | | | | | STAFFA CORTA | SHORT BRACKET | SUPPORT COURT | KURZER HALTERUNG | SOPORTE CORTO | | |
| 62 | 3006198 | | • | | • | | | | | | | | | STAFFA LUNGA | LONG BRACKET | SUPPORT LONG | LANGE HALTERUNG | SOPORTE LARGO | | |
| 62 | 3006197 | | | | | • | | • | | • | | | | STAFFA CORTA | SHORT BRACKET | SUPPORT COURT | KURZER HALTERUNG | SOPORTE CORTO | | |
| 62 | 3006199 | | | | | | • | | • | | • | | | STAFFA LUNGA | LONG BRACKET | SUPPORT LONG | LANGE HALTERUNG | SOPORTE LARGO | | |
| 62 | 3006248 | | | | | | | | | | | • | • | STAFFA CORTA | SHORT BRACKET | SUPPORT COURT | KURZER HALTERUNG | SOPORTE CORTO | | |
| 62 | 3006249 | | | | | | | | | | | | • | STAFFA LUNGA | LONG BRACKET | SUPPORT LONG | LANGE HALTERUNG | SOPORTE LARGO | | |
| 63 | 3003242 | • | • | • | • | • | • | • | • | • | • | • | • | RACCORDO | CONNECTOR | MAMELON | NIPPEL | RACORD | | C |
| 64 | 3003005 | • | • | • | • | • | • | • | • | • | • | • | • | RACCORDO | CONNECTOR | MAMELON | NIPPEL | RACORD | | C |
| 65 | 3003708 | • | | • | | | | | | | | | | TUBO | TUBE | TUYAUTERIE | DRUCKROHR | TUBO | | |
| 65 | 3003709 | | • | | • | | | | | | | | | TUBO | TUBE | TUYAUTERIE | DRUCKROHR | TUBO | | |
| 65 | 3003710 | | | | | • | | • | | • | | | | TUBO | TUBE | TUYAUTERIE | DRUCKROHR | TUBO | | |
| 65 | 3003711 | | | | | | • | | • | | • | | | TUBO | TUBE | TUYAUTERIE | DRUCKROHR | TUBO | | |
| 65 | 3003712 | | | | | | | | | | • | | • | TUBO | TUBE | TUYAUTERIE | DRUCKROHR | TUBO | | |
| 65 | 3003713 | | | | | | | | | | | • | • | TUBO | TUBE | TUYAUTERIE | DRUCKROHR | TUBO | | |
| 66 | 3003714 | • | | • | | | | | | | | | | TUBO | TUBE | TUYAUTERIE | DRUCKROHR | TUBO | | |
| 66 | 3003715 | | • | | • | | | | | | | | | TUBO | TUBE | TUYAUTERIE | DRUCKROHR | TUBO | | |
| 66 | 3003716 | | | | | • | | • | | • | | | | TUBO | TUBE | TUYAUTERIE | DRUCKROHR | TUBO | | |
| 66 | 3003717 | | | | | | • | | • | | • | | | TUBO | TUBE | TUYAUTERIE | DRUCKROHR | TUBO | | |

| N. | COD. | 466 M1 | 467 M1 | 468 M1 | | | | 469 M1 | | | | DESCRIZIONE | DESCRIPTION | DESCRIPTION | BESCHREIBUNG | DENOMINACION | MATRICOLA BRUCIATORE BURNER SERIAL NUMBER MATRICULE BRULEUR BRENNER KENN-NUMMER MATRICULA QUEMADORES | RICAMBI CONSIGLIATI ADVISED PARTS RECHANGE CONSEIL EMPFOHLENE ERSATZTEILE RECAMBIOS ACONSEJADOS | |
|----|---------|---------|-----------|---------|-----------|---------|-----------|---------|-----------|---------|-----------|-------------|--------------------|-----------------|------------------|-------------------|--|---|---------|
| | | 3436833 | 3436834 * | 3437733 | 3437734 * | 3438964 | 3438965 * | 3438966 | 3438967 * | 3438968 | 3438969 * | | | | | | | | 3439345 |
| 66 | 3003718 | | | | | | | | | | | | TUBO | TUBE | TUYAUTERIE | DRUCKROHR | TUBO | | |
| 66 | 3003719 | | | | | | | | | | | | TUBO | TUBE | TUYAUTERIE | DRUCKROHR | TUBO | | |
| 67 | 3003720 | • | | • | | | | | | | | | TUBO | TUBE | TUYAUTERIE | DRUCKROHR | TUBO | | |
| 67 | 3003721 | | • | | • | | | | | | | | TUBO | TUBE | TUYAUTERIE | DRUCKROHR | TUBO | | |
| 67 | 3003722 | | | | | • | | • | | • | | | TUBO | TUBE | TUYAUTERIE | DRUCKROHR | TUBO | | |
| 67 | 3003723 | | | | | | • | | • | | • | | TUBO | TUBE | TUYAUTERIE | DRUCKROHR | TUBO | | |
| 67 | 3003724 | | | | | | | | | | • | | TUBO | TUBE | TUYAUTERIE | DRUCKROHR | TUBO | | |
| 67 | 3003725 | | | | | | | | | | | • | TUBO | TUBE | TUYAUTERIE | DRUCKROHR | TUBO | | |
| 68 | 3003726 | • | | • | | | | | | | | | TUBO | TUBE | TUYAUTERIE | DRUCKROHR | TUBO | | |
| 68 | 3003727 | | • | | • | | | | | | | | TUBO | TUBE | TUYAUTERIE | DRUCKROHR | TUBO | | |
| 68 | 3003728 | | | | | • | | • | | • | | | TUBO | TUBE | TUYAUTERIE | DRUCKROHR | TUBO | | |
| 68 | 3003729 | | | | | | • | | • | | • | | TUBO | TUBE | TUYAUTERIE | DRUCKROHR | TUBO | | |
| 68 | 3003730 | | | | | | | | | | • | | TUBO | TUBE | TUYAUTERIE | DRUCKROHR | TUBO | | |
| 68 | 3003731 | | | | | | | | | | | • | TUBO | TUBE | TUYAUTERIE | DRUCKROHR | TUBO | | |
| 69 | 3003732 | • | | • | | | | | | | | | TUBO | TUBE | TUYAUTERIE | DRUCKROHR | TUBO | | |
| 69 | 3003733 | | • | | • | | | | | | | | TUBO | TUBE | TUYAUTERIE | DRUCKROHR | TUBO | | |
| 69 | 3003734 | | | | | • | | • | | • | | | TUBO | TUBE | TUYAUTERIE | DRUCKROHR | TUBO | | |
| 69 | 3003735 | | | | | | • | | • | | • | | TUBO | TUBE | TUYAUTERIE | DRUCKROHR | TUBO | | |
| 69 | 3003736 | | | | | | | | | | • | | TUBO | TUBE | TUYAUTERIE | DRUCKROHR | TUBO | | |
| 69 | 3003737 | | | | | | | | | | | • | TUBO | TUBE | TUYAUTERIE | DRUCKROHR | TUBO | | |
| 70 | 3003273 | • | • | • | • | • | • | • | • | • | • | • | GUAINA | ARMATURE SLEEVE | GAINE E.V. | MV-HÜLSE | VÁLVULA | | |
| 71 | 3006541 | • | • | • | • | • | • | • | • | • | • | • | FILTRO | FILTER | FILTRE | PUMPENFILTER | FILTRO | | B |
| 72 | 3007090 | • | • | • | • | • | • | • | • | • | • | • | GUARNIZIONE | SEAL | RONDELLE | METALLDICHTUNG | JUNTA | | B |
| 73 | 3006067 | • | • | • | • | • | • | • | • | • | • | • | RESISTENZA | RESISTANCE | RESISTANCE | WIDERSTAND | RESISTENCIA | | B |
| 74 | 3003738 | • | • | • | • | | | | | | | | TUBO | TUBE | TUYAUTERIE | DRUCKROHR | TUBO | | |
| 74 | 3003739 | | | | | • | | • | | • | | | TUBO | TUBE | TUYAUTERIE | DRUCKROHR | TUBO | | |
| 74 | 3003740 | | | | | | | | | | • | • | TUBO | TUBE | TUYAUTERIE | DRUCKROHR | TUBO | | |
| 75 | 3006444 | • | • | • | • | • | • | • | • | • | • | • | TERMOSTATO | THERMOSTAT | THERMOSTAT | THERMOSTAT | CONJUNTO TERMOSTATO | | B |
| 76 | 3003741 | • | • | • | • | | | | | | | | SERBATOIO | PRE-HEATER | RESERVOIR | ÖLVORWÄRMER | JUNTA PRECALENTADOR | | C |
| 76 | 3003742 | | | | | • | | • | | • | | | SERBATOIO | PRE-HEATER | RESERVOIR | ÖLVORWÄRMER | JUNTA PRECALENTADOR | | C |
| 77 | 3003743 | • | • | • | • | | | | | | | | STAFFA | BRACKET | SUPPORT | TRAGERKONSOLE | SOPORTE | | |
| 77 | 3003744 | | | | | • | | • | | • | | | STAFFA | BRACKET | SUPPORT | TRAGERKONSOLE | SOPORTE | | |
| 77 | 3003745 | | | | | | | | | | • | • | STAFFA | BRACKET | SUPPORT | TRAGERKONSOLE | SOPORTE | | |
| 78 | 3006423 | • | • | • | • | • | • | • | • | • | • | • | VALVOLA DI SCARICO | EXHAUST VALVE | BOUCHON DE PURGE | ENTLEERUNGSVENTIL | VALVULA DE ESCÁPE | | C |
| 79 | 3006927 | • | • | • | • | • | • | • | • | • | • | • | TERMOMETRO | THERMOMETER | THERMOMETRE | THERMOMETER | TERMOMÉTRO | | C |
| 80 | 3007082 | • | • | • | • | • | • | • | • | • | • | • | GUARNIZIONE | SEAL | RONDELLE | METALLDICHTUNG | JUNTA | | C |
| 81 | 3003746 | • | • | • | • | • | • | • | • | • | • | • | RACCORDO | CONNECTOR | MAMELON | NIPPEL | RACORD | | C |
| 82 | 3013439 | • | • | • | • | • | • | • | • | • | • | • | TEMPORIZZATORE | TIMER | TEMPORISATEUR | ZEITSCHALTER | TEMPORIZADOR | | C |

★ = Versione Testa Lunga - Long Combustion Head Version - Version Tête Longue - Langer Brennkopf Ausführung - Versión alargado de tubo llama

★★

A = Ricambi per dotazione minima - Spare parts for minimum fittings - Pièces détachées pour équipement minimum - Ersatzteile für minimale Ausstattung - Recambios para equipamiento mínimo

A+B = Ricambi per dotazione base di sicurezza - Spare parts for basic safety fittings - Pièces détachées pour équipement standard de sécurité - Ersatzteile für Sicherheitsgrundausrüstung - Recambios para equipamiento básico de seguridad

A+B+C = Ricambi per dotazione estesa di sicurezza - Spare parts for extended safety fittings - Pièces détachées pour équipement complet de sécurité - Ersatzteile für erweiterte Sicherheitsausstattung - Recambios para equipamiento general de seguridad

The logo for RIELLO, consisting of the word "RIELLO" in a bold, red, sans-serif font.

RIELLO S.p.A.
I-37045 Legnago (VR)
Tel.: +39.0442.630111
[http:// www.riello.it](http://www.riello.it)
[http:// www.rielloburners.com](http://www.rielloburners.com)