

Heavy oil burners



CODE	MODEL	TYPE
3436885	PRESS 140 T/N	466 T80
3436886	PRESS 140 T/N	466 T80

TECHNICAL DATA

Thermal power - Output	320 / 1600 kW - 28 / 140 kg/h (See page 3)
Operation	1 st stage - 2 nd stage - 3 rd stage
Fuel	Oil with max. viscosity 50 mm ² /s (7°E) at 50°C with kit: max. viscosity 500 mm ² /s (65°E) at 50°C
Pump	350 kg/h at 25 bar

ELECTRICAL DATA

Motor IE1

Electrical supply	Three phase: 220 V +10% -10% ~ 60 Hz without neutral 220-380 V +10% -10% ~ 60 Hz with neutral
Motor	15.9 A / 220V - 9.2 A / 380V
Ignition transformer	Primary: 2 A - Secondary: 2 x 6.5 kV - 35 mA
Heaters	4 kW
Absorbed electrical power	18.6 kW

Motor IE2

Electrical supply	Three phase: 220 V +10% -10% ~ 60 Hz without neutral 220-380 V +10% -10% ~ 60 Hz with neutral
Motor	14.6 A / 220V - 8.5 A / 380V
Ignition transformer	Primary: 2 A - Secondary: 2 x 6.5 kV - 35 mA
Heaters	4 kW
Absorbed electrical power	18.6 kW

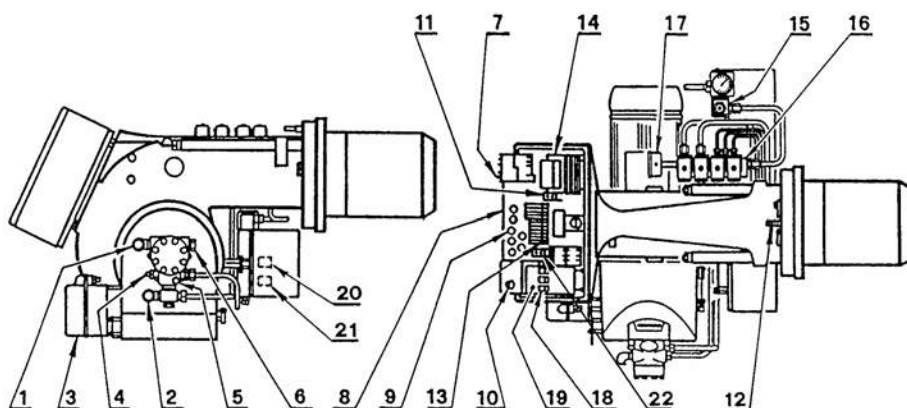
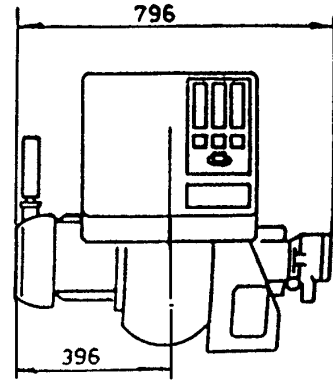
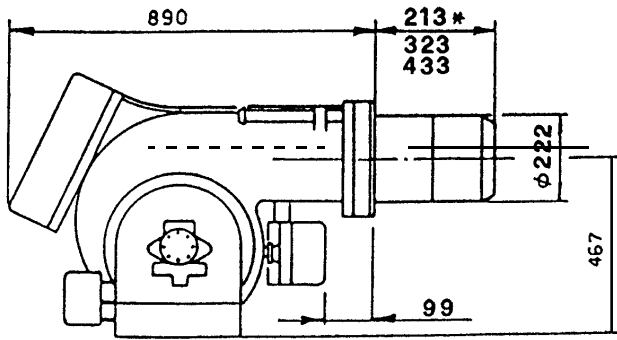


Fig. 1

- | | |
|---|---|
| <ul style="list-style-type: none"> 1 - Suction line 2 - Return line 3 - Air shutter opening motor 4 - Pump pressure adjustment screw 5 - Manometer plug (G 1/8) 6 - Vacuumeter plug (G 1/2) 7 - Reset push-button of the motor overload relay 8 - Electric board 9 - Cable clamps 10 - Control box reset push-button and lock-out lamp 11 - Adjustment thermostat 12 - Regulating bush for combustion head 13 - Wiring terminal board 14 - Ignition transformer 15 - Filter 16 - Valves group 17 - Manometer | <ul style="list-style-type: none"> 18 - Lamp 19 - Commutator 20 - Low limit thermostat 21 - High limit thermostat 22 - Timer |
|---|---|

Quantity	Accessories
2	Flexible tubes
2	Nipples
4	Screws
1	Gasket for flange
5	Cable clamps

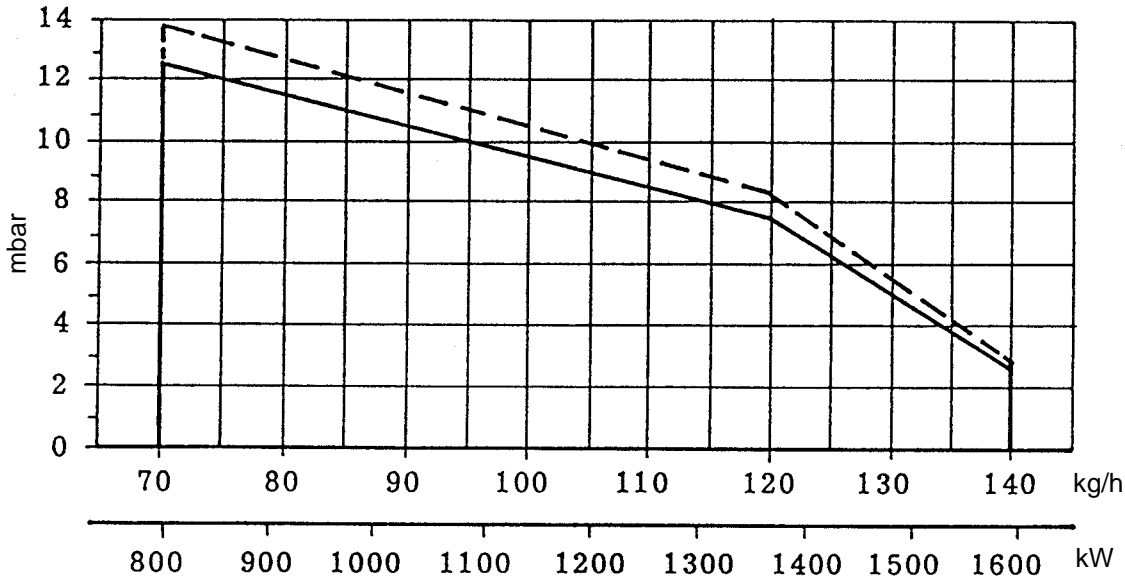
DIMENSIONS



*It is possible with a spacer, upon request

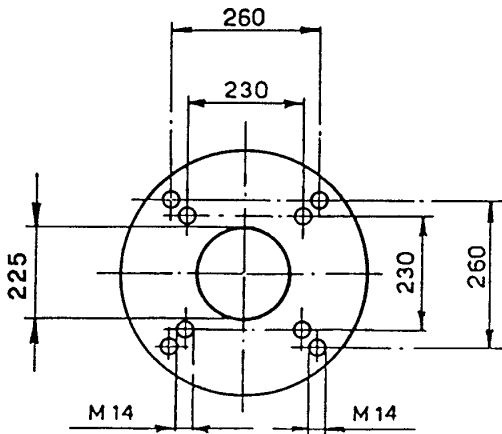
COMBUSTION CHAMBER PRESSURE - MAXIMUM OUTPUT (Three nozzles in operation)

Operation field: Limit Safety



When the burner operates with only one or two nozzles, the pressurization conditions are improved and no problems arise.

Boiler front plate drilling Combustion head projection



For the combustion head projection carefully follow the boiler manufacturer indications.

A proper protection with refractory material on the combustion head projecting into the combustion chamber shall be made, when boilers with frontal smoke box are used.

OPERATION AND EFFICIENCY OF THE BURNER

1st STAGE	POWER AND OUTPUT			
	MINIMUM		MAXIMUM	
	kW	kg/h	kW	kg/h
1 st nozzle: ignition phase	262	23	536	47
1 st + 2 nd nozzle: intermediate phase	536	47	1060	93
1 st + 2 nd + 3 rd nozzle: operation phase	798	70	1595	140

2nd STAGE	POWER AND OUTPUT			
	MINIMUM		MAXIMUM	
	kW	kg/h	kW	kg/h
1 st nozzle: ignition phase	262	23	536	47
1 st + 2 nd nozzle: 1 st stage of operation	536	47	1060	93
1 st + 2 nd + 3 rd nozzle: 2 nd stage of operation	798	70	1595	140

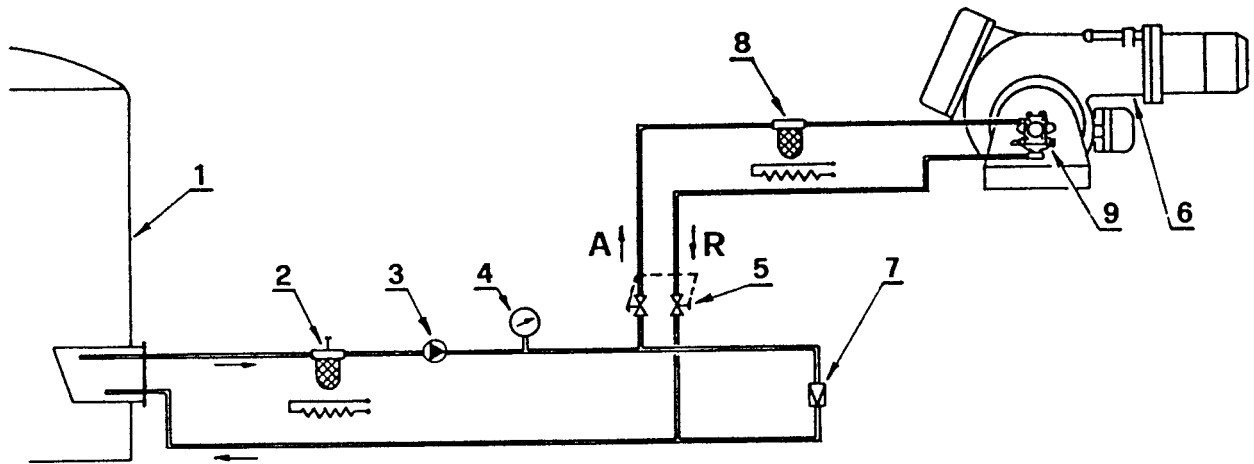
3rd STAGE	POWER AND OUTPUT			
	MINIMUM		MAXIMUM	
	kW	kg/h	kW	kg/h
1 st nozzle: 1 st stage of operation	319	28	536	47
1 st + 2 nd nozzle: 2 nd stage of operation	638	56	1060	93
1 st + 2 nd + 3 rd nozzle: 3 rd stage of operation	798	70	1595	140

ACCESSOIRES

RADIO DISTURBANCE PROTECTION KIT: Code 3010386

If the burner is installed in places particularly subject to radio disturbance (emission of signals exceeding 10 V/m) owing to the presence of an INVERTER, or in applications where the length of the thermostat connections exceeds 20 metres, a protection kit is available as an interface between the control box and the burner.

HEAVY OIL SUPPLY LINE



RING SUPPLY LINE

(for heavy oil with viscosity up to 50°E at 50°C)

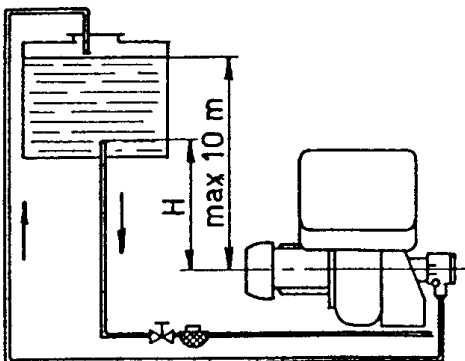
- 1 - Tank (heated for heavy oil)
- 2 - Filter (with resistance for oil > 7°E at 50°C)
- 3 - Forwarding pump
- 4 - Control manometer
- 5 - Shutter valves (in couple) excluding the burner
- 6 - Burner (provided for kit for heavy oil code no. 3000721)
- 7 - Pressure adjuster
- 8 - Filter (with resistance for oil > 7°E at 50°C)
- 9 - Burner pump

WARNING

- The oil could easily flow through the pipes if those are properly seized, protected and heated (by electricity, steam or hot water).
- The forwarding pump capacity should be at the least double of that of the burner pump.
- If several burners are supplied through the same ring supply line, the forwarding pump should have a capacity of approx. 30% more than the sum of the single burners outputs.
- For starting-up: after excluding the burner by the shutter valves (5) let the oil flow into the supply ring up to reach the required circulation; after that open the valves and supply normally the burner.

GRAVITY SUPPLY LINE

(only for oil with max. viscosity up to 7°E at 50°C)



Pump priming

Loose the tap of the vacuumer plug (6) (fig. 1) and wait for the oil flow.

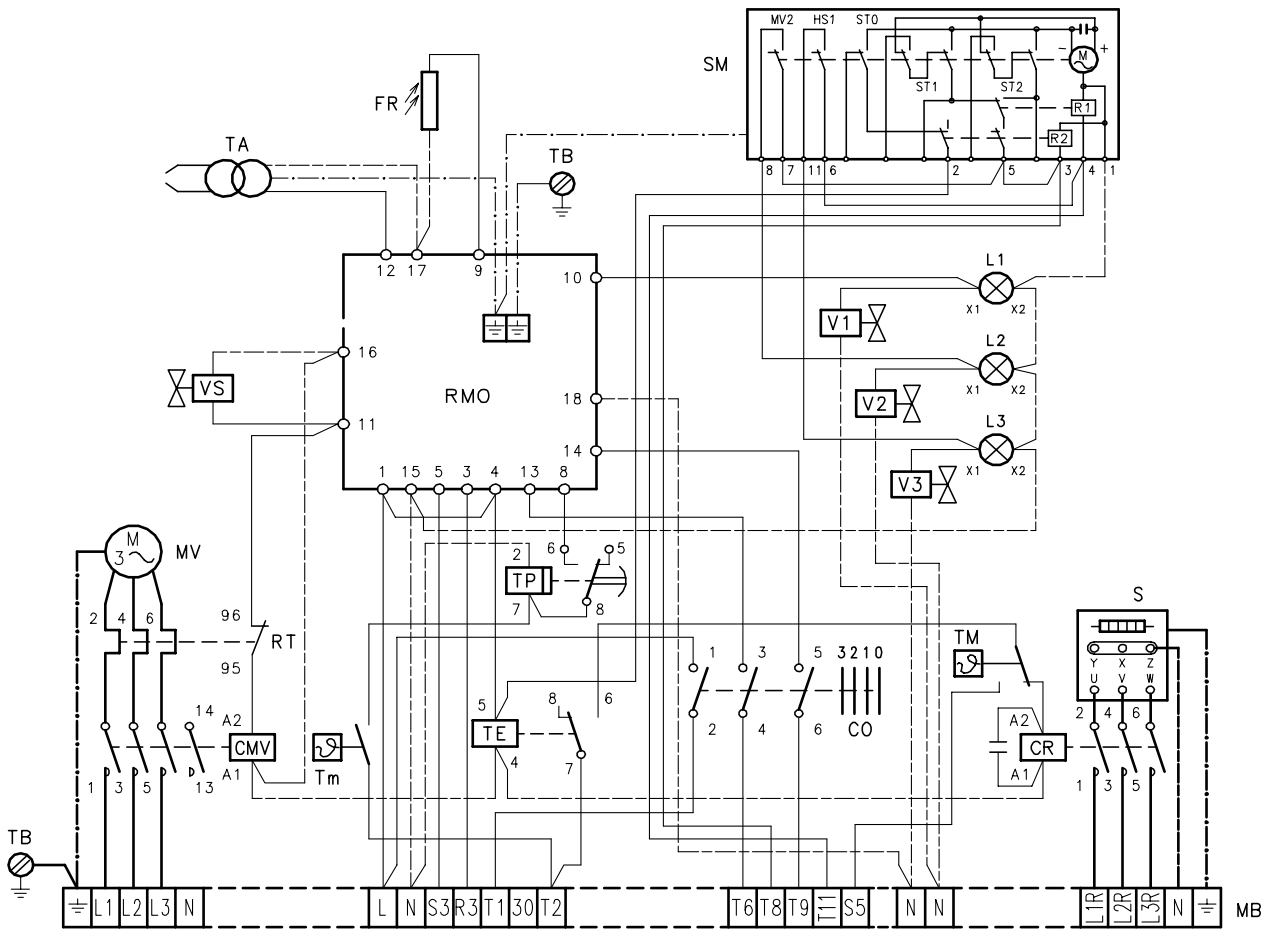
H= Difference in the pipes height
L= Total length of the suction tube

H meters	L meters	
	ø 1"	ø 1 1/4"
0	2	10
0,5	3	11
1	4	12
1,5	5	13
2	6	14

Notice: before placing the burner in operation, ensure that the return line is open. Any obstruction may damage the pump seal.

INTERNAL WIRING DIAGRAM

(carried out by the factory)

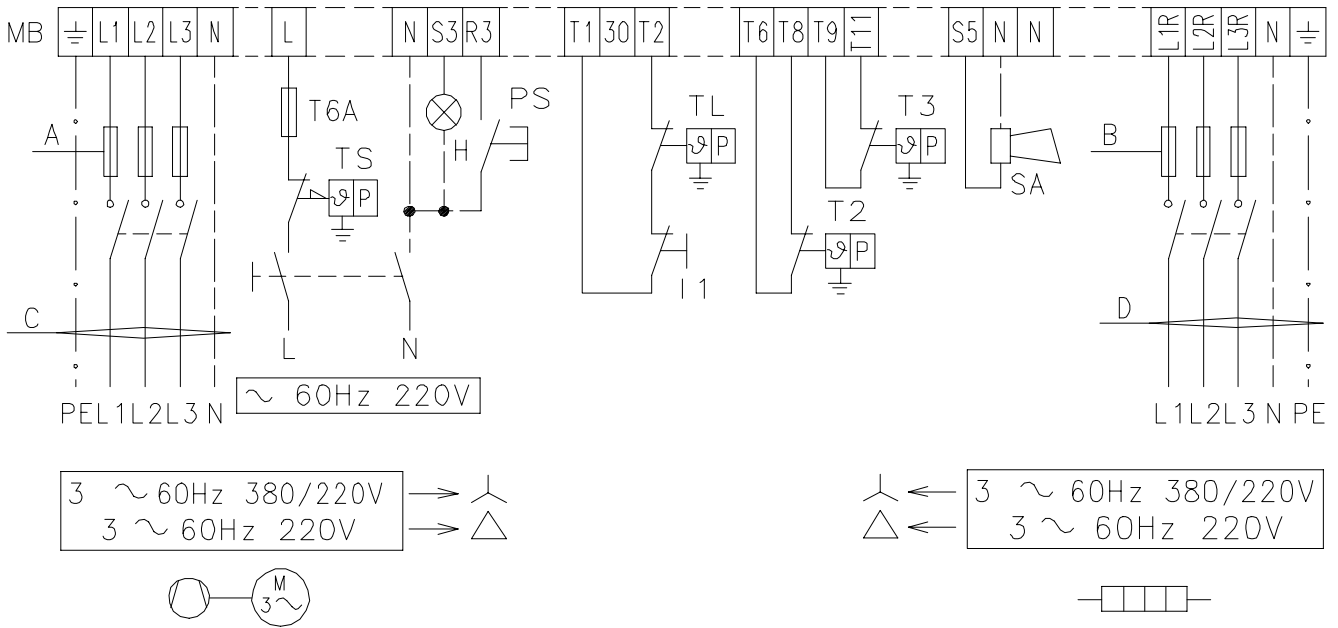


2618

LEGEND

CMV	Fan motor contact maker	TB	Burner earth
CO	Commutator	TE	Electronic thermostat
CR	Resistor contact maker	TM	Maximal thermostat
FR	Photoresistance	Tm	Minimal thermostat
MB	Burner terminal strip	TP	Timer
MV	Fan motor	L1	Lamps for 1° stage
RMO	Control box	L2	Lamps for 2° stage
RT	Overload	L3	Lamps for 3° stage
S	Pre-heater tank	V1	Oil valves for 1° stage
SM	Air-damper actuator	V2	Oil valves for 2° stage
SO	Probe PT100	V3	Oil valves for 3° stage
TA	Ignition transformer	VS	Safety valves

WIRING CONNECTIONS TO THE TERMINAL BOARD (carried out by the installer)



2645

	220V	380V
A Ampere	T25	T25
B Ampere	T50	T35
C mm ²	2,5	2,5
D mm ²	10	6

- | | |
|---|---|
| H Remote lock-out signal | TL Limit control device system |
| I1 Optional switch on-off burner | TS Safety control device system |
| MB Burner terminal strip | T2 Load control system for 2 nd stage |
| PS Reset push - button | T3 Load control system for 3 rd stage |
| SA High temperature oil alarm | |

NOTE:

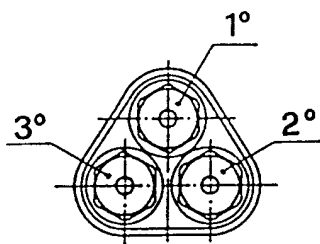
- Check the lock-out by darkening the photo-cell after removal of the cover.
ATTENTION HIGH VOLTAGE.
- In case of supply 220V without neutral, connect the motor and the pre-heater tank through delta (the “star” connection is the original one, made for 380V).
- **NOTE**
In systems where the run of wiring connecting the thermostat exceeds 20 metres in length, or in places where the burner is subject to particularly disturbing electromagnetic interference (over 10 v/m), you must insert the relay-interface kit item number 3010386.

CHOICE: OF THE NOZZLES - OF THE PUMP PRESSURE - OF THE COMBUSTION HEAD ADJUSTMENT

- First of all state the maximum output required with all three nozzles in operation.
- On the base of the maximum output choose, from table A, three related nozzles.
Nozzles: 60° - Pump pressure: 25 bar.
- The references of table B should be followed in case of need of:
 - modification of the pump pressure in order to vary the output,
 - diverse composition of the 3 nozzles group,
 - knowledge of the output in 1st and 2nd stage.

SUGGESTED NOZZLES

A



NOZZLES 60° GPH			TOTAL OUTPUT kg/h 1° + 2° + 3°	
1°	2°	3°	25 bar	28 bar
3.50	3.50	3.50	66	70
4.00	4.00	4.00	75	79
4.50	4.50	4.50	84	90
5.00	5.00	5.00	96	99
5.50	5.50	5.50	105	111
6.00	6.00	6.00	114	120
6.50	6.50	6.50	123	132
7.00	7.00	7.00	132	141
7.50	7.50	7.50	141	-

The pump pressure is referred to all three nozzles operating. The pump pressure increases automatically when two nozzles are operating and becomes higher with only one nozzle.

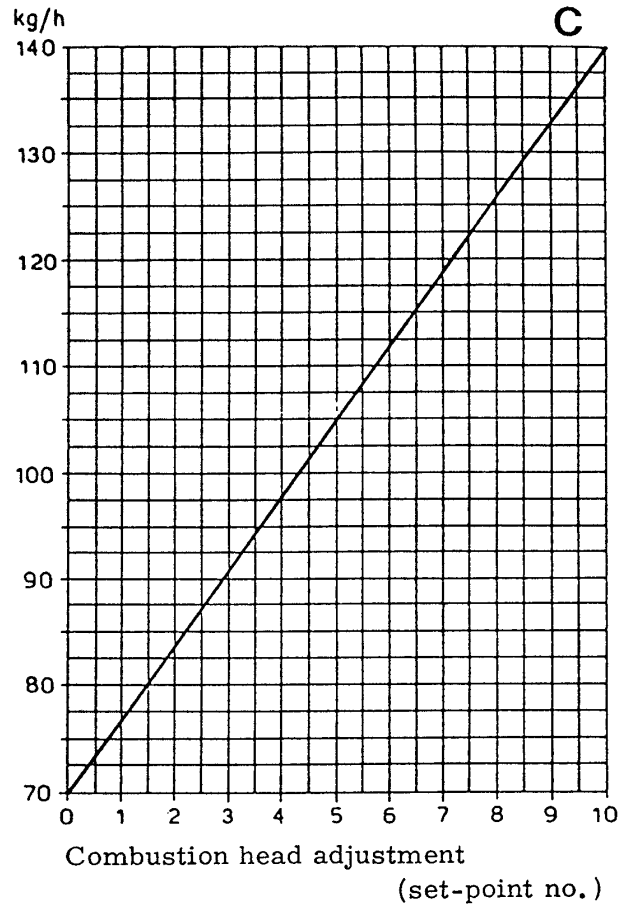
Nozzles delivery
Pump pressure

B

GPH	25 bar kg/h	28 bar kg/h
3.50	22	23,5
4.00	25	26,5
4.50	28	30
5.00	32	33
5.50	35	37
6.00	38	40
6.50	41	44
7.00	44	47
7.50	47	50

Combustion head adjustment
Maximum output

C



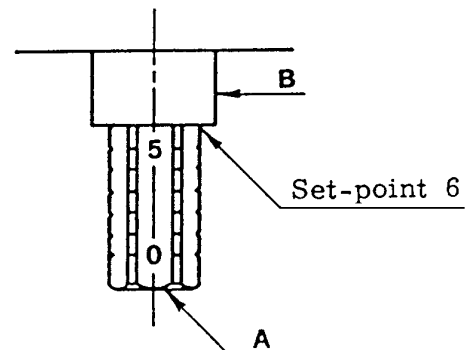
Suggested pressure

- Light oil: 25 bar
- Heavy oil: 28 bar (transformation kit)

Rated nozzles deliveries are listed on the table.
 A tolerance of $\pm 5\%$ concerns the real delivery against the rated one.
 The pump leaves the factory set at 25 bar.

- On the base of the maximum delivery detect, from table C, the combustion head adjustment.

The adjustment should be made by turning the screw **A** till the set-point (see diagram) is on the line with the washer **B**.



AIR SHUTTERS ADJUSTMENTS

The adjustment of the air shutters shall be set each time, with reference to the nozzles deliveries and the combustion chamber pressurization.

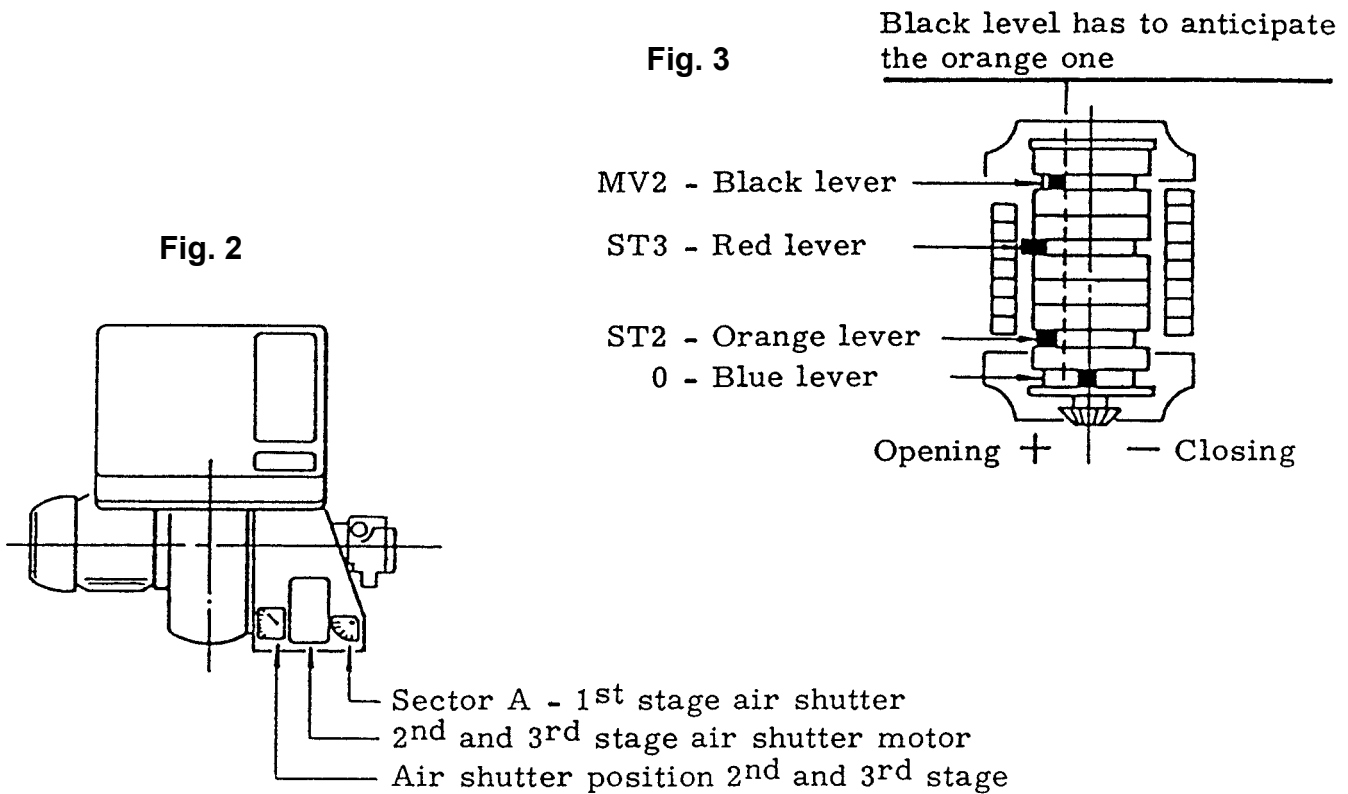


Fig. 2 shows the positioning of the air shutters.

Fig. 3 shows the positioning of the cams of the motor.

Air shutters adjustments

1st stage: manual regulation carried out by acting on the sector **A** (fig. 2).

2nd-3rd stage: carried out by acting on the coloured lever of the motor (fig. 3).

Blue lever: adjustment not necessary.

Positioned by the factory on the vertical of the motor axis. It maintains the shutters of 2nd- and 3rd stage closed during the 1st stage operation and in the stop periods.

Do not turn clockwise (-) the lever to avoid crawlings of the air shutters, turning the lever anticlockwise (+) the motor will be in different position during the passage from 2nd to 1st stage or during the stop.

Orange lever: for 2nd stage air shutters adjustment, it is adjustable both in opening and in closing position.

Red lever: for 3rd stage air shutters adjustment, it is adjustable both in opening and closing position.

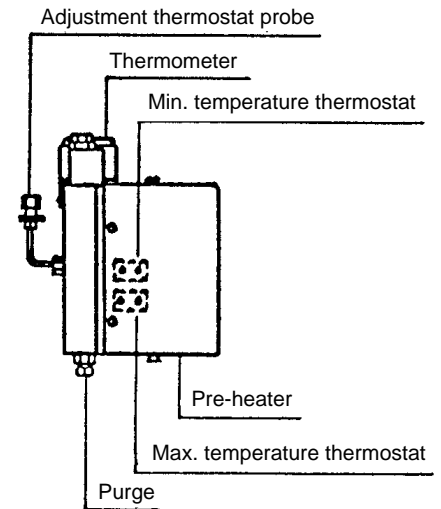
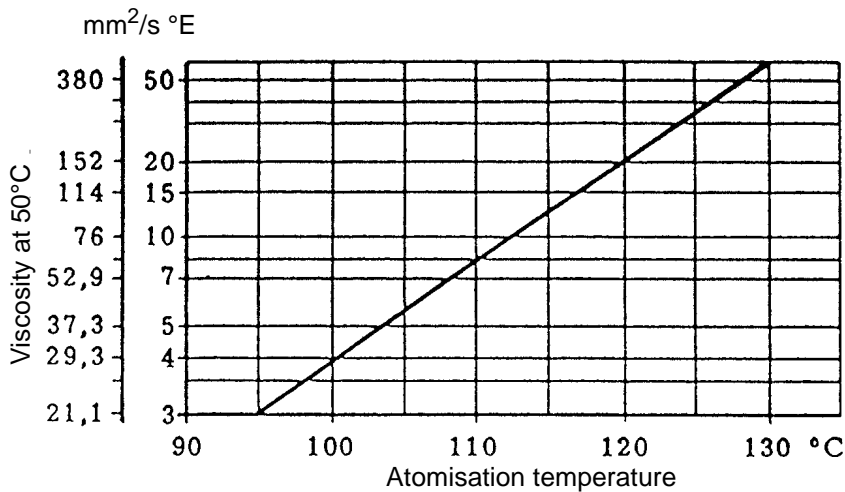
Black lever: it controls the opening of the 2nd stage oil valve. It has always to anticipate the orange lever.

The control of the 3rd stage valve is automatic through one of the cam next to the red lever.

SPRAY TEMPERATURE ADJUSTMENT

Thermostat for adjustment - maximum value - minimum value

Electronic adjustment thermostat By means of information relayed from a PT100 probe immersed in the oil in the delivery manifold, the thermostat adjusts spray temperature. (The correct conditions for fuel spray are shown in the temperature/viscosity graph below).



Example: fuel oil with 7 °E viscosity at 50 °C is pre-heated to approximately 110 °C.

Note: although the temperature set on the thermostat should correspond to the temperature of the fluid, it is good practice to check that the thermometer shows the correct reading once the unit has been in operation for a few minutes.

The LED will illuminate to indicate that the heating resistances are working properly.

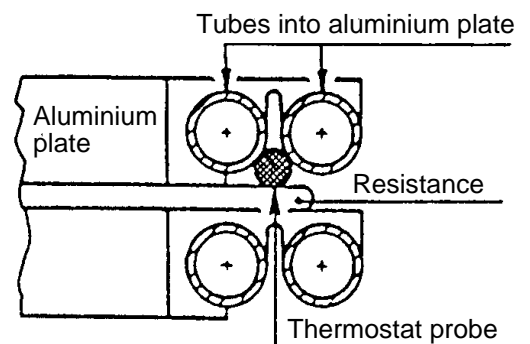
Minimum temperature thermostat. In addition to shutting down the burner if the fuel temperature should fall below the critical value for correct combustion, this thermostat also provides a permissive signal at the time of burner start-up. (Factory set at approximately 80°C, adjustable by removing the pre-heater cover and relative plate).

Maximum temperature thermostat. This switches off the resistance when, because of failure of the adjustment thermostat, the temperature of the pre-heater increases to unacceptable levels; a "high temperature" alarm output is provided on the burner terminal strip. (Factory setting is approximately 180°C).

Renewing the minimum and maximum temperature thermostats.

Reposition the probes of the new thermostat, after having first loosened the plate pack securing screws. Make sure that the probe is touching the resistance and the plate pack as shown in the adjacent figure. The same precautions should be taken when renewing the resistances in contact with the thermostat probes.

If the pre-heater should malfunction, use an ohmmeter to check that the resistances located in contact with the temperature probes are not burnt out (reading of approximately 35 Ohm).

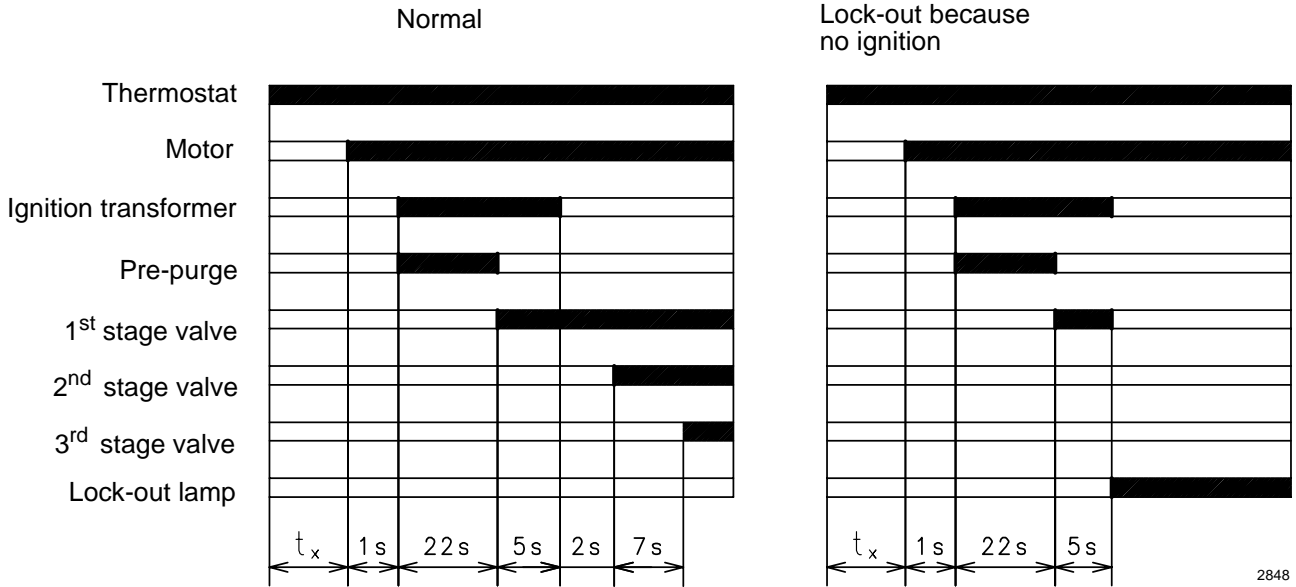


Changing the PT100 probe in the oil delivery manifold:

Fit the supplied nut and biconical collar on the new probe, insert a length of approximately 40 mm in the manifold, and secure firmly into place.

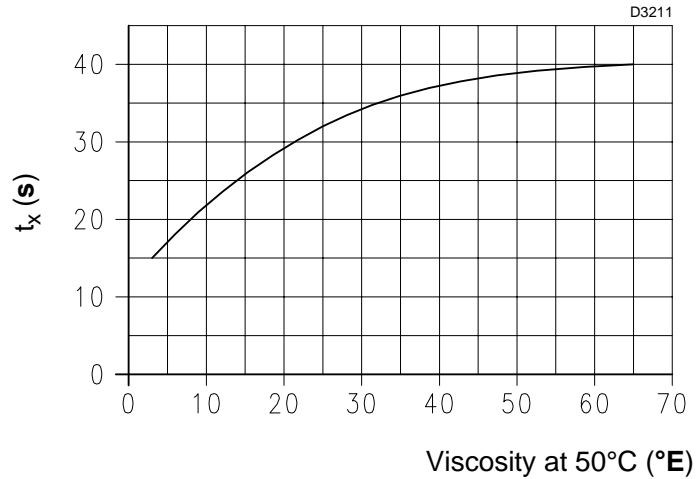
At this point, the section remaining outside the manifold can be bent as required, with no risk of damaging the resistance.

CYCLE OF THE BURNER START-UP



(t_x) Factory setting: 20 s.
This time determines the heavy oil temperature at ignition. It can be adjusted, according to the fuel's viscosity, by the timer 22) (Fig. 1).
The adjacent diagram shows the suggested settings.

t_x max = 60 s

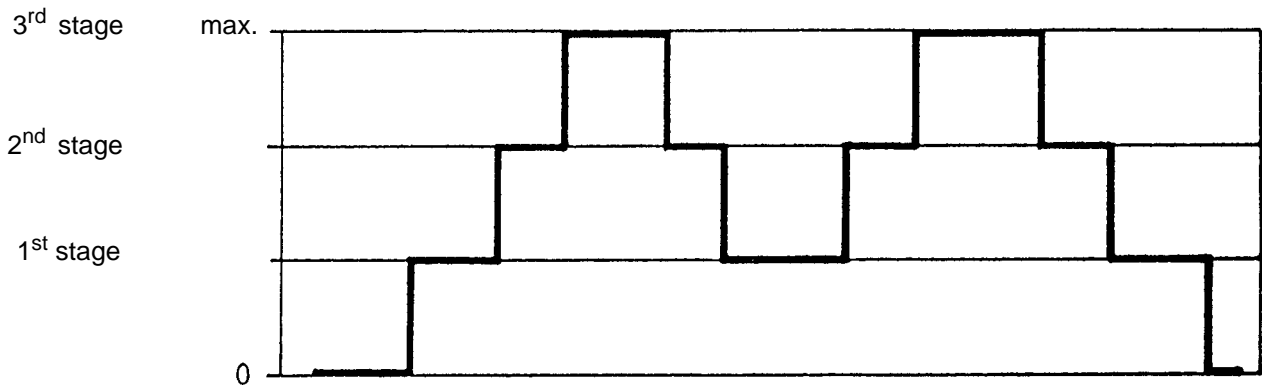


Motor lock-out

It is caused by the over load relay when overload occurs or no current supply.
 Re-set: push button 7 and 10 (fig. 1)

NB.: Periodically clean the filter of the pre-heater tank.

THREE STAGE OPERATION



RIELLO

RIELLO S.p.A.
I-37045 Legnago (VR)
Tel.: +39.0442.630111
[http:// www.riello.it](http://www.riello.it)
[http:// www.rielloburners.com](http://www.rielloburners.com)