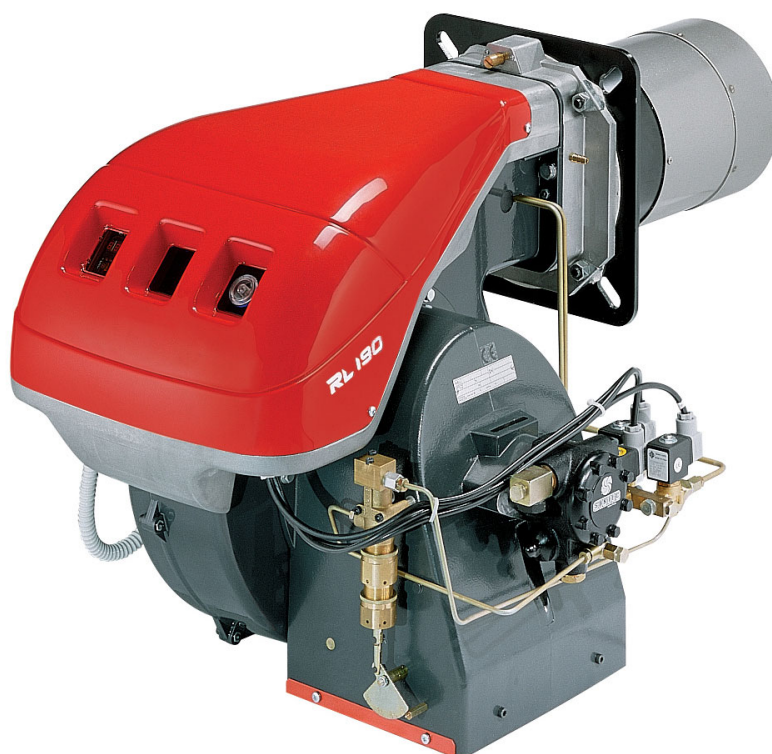


- GB** Light oil burners
- E** Quemadores de gasóleo
- P** Queimadores a gasóleo

Two stage operation
Funcionamiento a dos llamas
Funcionamento a duas chamas

CE

RL



CODE - CÓDIGO	MODEL - MODELO	TYPE - TIPO
3475680	RL 190	673 T80
20011009	RL 190	673 T80

GB CONTENTS:

TECHNICAL DATA page **2**
Electrical data 2
Variants 2
Burner description 3
Packaging - Weight 3
Max. dimensions 3
Standard equipment 3
Firing rate 4
Test boiler 4

INSTALLATION **4**
Boiler plate 4
Blast tube length 4
Securing the burner to the boiler 4
Choice of nozzles for the 1st and 2nd stage 5
Nozzle assembly 5
Combustion head setting 5
Hydraulic system 6
Electrical system 7
Pump 9
Burner calibration 10
Burner operation 11
Final checks 12
Maintenance 12
Burner start-up cycle diagnostics 13
Resetting the control box and using diagnostics 13
Fault - Probable cause - Suggested remedy 14
Status (optional) 15
Accessory 16

N.B.
Figures mentioned in the text are identified as follows:
1)(A) = part 1 of figure A, same page as text
1)(A)p.3 = part 1 of figure A, page number 3.

Manufacturer's Declaration			
RIELLO S.p.A. declares that the following products comply with the NOx emission limits specified by German standard "1. BImSchV release 26.01.2010".			
Product	Type	Model	Power
Light oil burner	673 T80	RL 190	759 - 2443 kW

Legnago, 04.09.2012

Mr. I. Zinna
Burners Division Department
RIELLO S.p.A.



MODEL			RL 190	
CODE			3475680	20011009
OUTPUT ⁽¹⁾ DELIVERY ⁽¹⁾	2nd stage	kW Mcal/h kg/h	1423 - 2443 1224 - 2100 120 - 206	
	1st stage	kW Mcal/h kg/h	759 - 1423 653 - 1224 64 - 120	
FUEL			LIGHT OIL	
- net calorific value		kWh/kg Mcal/kg	11.8 10.2 (10.200 kcal/kg)	
- density		kg/dm ³	0.82 - 0.85	
- viscosity at 20 °C		mm ² /s	max 6 (1.5 °E - 6 cSt)	
OPERATION			<ul style="list-style-type: none"> • Intermittent (min. 1 stop in 24 hours). • Two-stage (high and low flame) and single-stage (all - nothing) 	
NOZZLES		number	2	
STANDARD APPLICATIONS			Boilers: water, steam, diathermic oil	
AMBIENT TEMPERATURE		°C	0 - 40	
COMBUSTION AIR TEMPERATURE		°C max	60	
PUMP J7C	delivery (at 12 bar)	kg/h	230	
	pressure range	bar	10 - 21	
	fuel temperature	°C max	90	
IN CONFORMITY WITH EEC DIRECTIVES			2006/42 - 2006/95 - 2004/108	
NOISE LEVELS ⁽²⁾		dBA	83.9	

(1) Reference conditions: Ambient temperature 20°C - Barometric pressure 1000 mbar - Altitude 100 m a.s.l.

(2) Sound pressure measured in manufacturer's combustion laboratory, with burner operating on test boiler and at maximum rated output.

ELECTRICAL DATA

Motor IE1

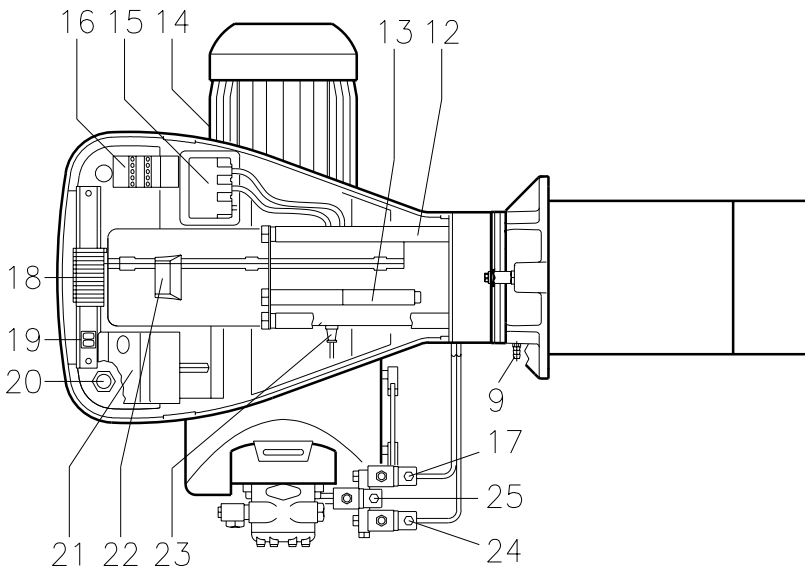
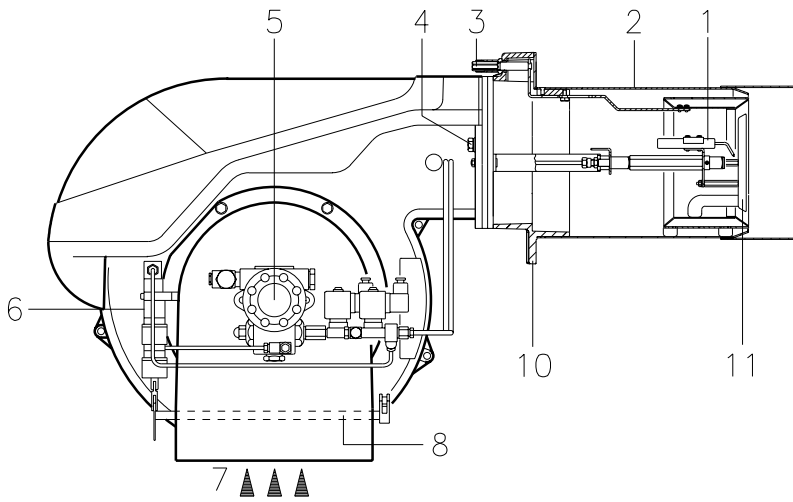
MODEL			RL 190	
ELECTRICAL SUPPLY	V	380 with neutral +/-10%	220 with neutral +/-10%	
	Hz	60 - three-phase ~	60 - three-phase ~	
AUXILIARY CIRCUITS SUPPLY	V	220		
ELECTRIC MOTOR	rpm	3400	3400	
	W	4000	4000	
	V	380	220	
Running current	A	9.1	15.8	
Start-up current	A	72.8	126	
IGNITION TRANSFORMER	V1 - V2 I1 - I2	230 V - 2 x 5 kV 1,9 A - 35 mA		
CONTROL BOX			RMO88.53A2	
ELECTRICAL POWER CONSUMPTION	W max	5870		
ELECTRICAL PROTECTION			IP 44	

Motor IE2

MODEL			RL 190	
ELECTRICAL SUPPLY	V	380 with neutral +/-10%	220 with neutral +/-10%	
	Hz	60 - three-phase ~	60 - three-phase ~	
AUXILIARY CIRCUITS SUPPLY	V	220		
ELECTRIC MOTOR	rpm	3540	3540	
	W	4000	4000	
	V	380	220	
Running current	A	8	13.8	
IGNITION TRANSFORMER	V1 - V2 I1 - I2	230 V - 2 x 5 kV 1,9 A - 35 mA		
CONTROL BOX			RMO88.53A2	
ELECTRICAL POWER CONSUMPTION	W max	5000		
ELECTRICAL PROTECTION			IP 44	

VARIANTS

Model	Code	Power supply electrical
RL 190	3475680	380 V
RL 190	20011009	220 V



BURNER DESCRIPTION (A)

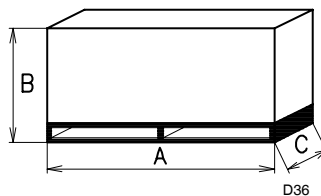
- 1 Ignition electrodes
- 2 Combustion head
- 3 Screw for combustion head adjustment
- 4 Screw for fixing fan to flange
- 5 Pump
- 6 Hydraulic cylinder for regulation of the air gate valve in 1st and 2nd stage positions.
When the burner is not operating the air gate valve is fully closed in order to reduce to a minimum heat dispersion from the boiler due to the flue draught which draws air from the fan suction inlet.
- 7 Air inlet to fan
- 8 Air gate valves
- 9 Fan pressure test point
- 10 Boiler mounting flange
- 11 Flame stability disk
- 12 Slide bars for opening the burner and inspecting the combustion head
- 13 Extensions for slide bars 12)
- 14 Electrical motor
- 15 Ignition transformer
- 16 Motor contactor and thermal cut-out with reset button
- 17 1st stage valve
- 18 Terminal strip
- 19 Two switches:
- one "burner off - on"
- one for "1st - 2nd stage operation"
- 20 Fairleads for electrical connections by installer
- 21 Control box with lock-out pilot light and lock-out reset button
- 22 Flame inspection window
- 23 Photocell for flame presence control
- 24 2nd stage valve
- 25 Safety solenoid valve

Two types of burner failure may occur:
Control Box Lock-out: if the control box 22)(A) pushbutton (**red led**) lights up, it indicates that the burner is in lock-out.
 To reset, hold the pushbutton down for between 1 and 3 seconds.
Motor trip: release by pressing the pushbutton on thermal relay 16)(A).

(A)

D3930

mm	A	B	C	kg
RL 190	1270	775	890	75



D36

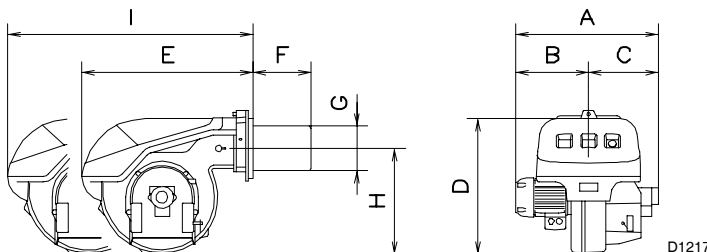
PACKAGING - WEIGHT (B) - Approximate measurements

- The burners stands on a wooden base which can be lifted by fork-lifts. Outer dimensions of packaging are indicated in (B).
- The weight of the burner complete with packaging is indicated in Table (B).

(B)

MAX. DIMENSIONS (C) - Approximate measurements

The maximum dimensions of the burner are given in (C).
 Bear in mind that inspection of the combustion head requires the burner to be opened and the rear part withdrawn on the slide bars.
 The maximum dimension of the burner when open, without casing, is give in measurement I.



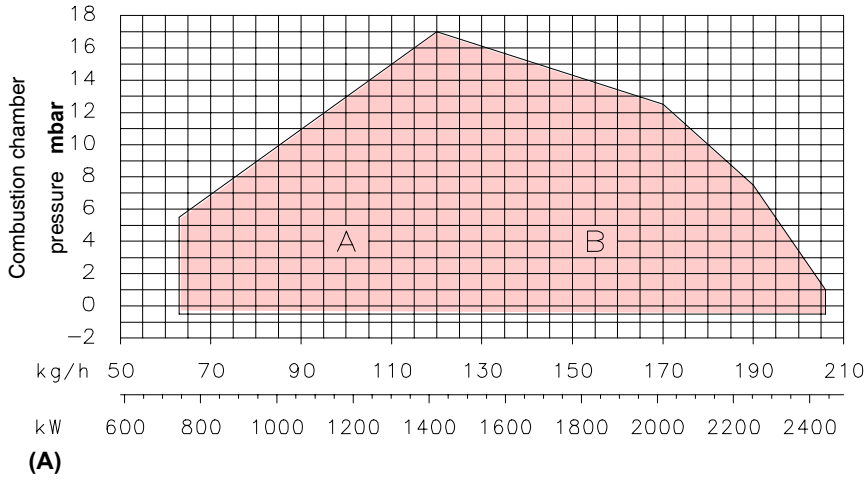
D1217

mm	A	B	C	D	E	F	G	H	I
RL 190	756	366	390	555	712	370	222	430	1166

(C)

STANDARD EQUIPMENT

- 2 - Flexible hoses (L = 1350 mm)
- 2 - Gaskets for flexible hoses
- 2 - Nipples for flexible hoses
- 1 - Thermal insulation screen
- 4 - Extensions 13)(A) for slide bars 12)(A)
- 4 - Screws to secure the burner flange to the boiler: M 16 x 40
- 1 - Instruction booklet
- 1 - Spare parts list



FIRING RATE (A)

The RL 190 Model burners can work in two ways: one-stage and two-stage.

1st stage DELIVERY must be selected within area A of the adjacent diagram.

2nd stage DELIVERY must be selected within area B. This area provides the maximum delivery of the burner in relation to the pressure in the combustion chamber.

Important:

The FIRING RATE area values have been obtained considering a surrounding temperature of 20°C, and an atmospheric pressure of 1000 mbar (approx. 100 m above sea level) and with the combustion head adjusted as shown on page 5.

TEST BOILER (B)

The firing rates were set in relation to special test boilers in accordance with the methods defined in EN 267 standards.

Figure (B) indicates the diameter and length of the test combustion chamber.

Example: delivery 65 kg/hour:
diameter = 60 cm; length = 2 m.

Whenever the burner is operated in a much smaller commercially-available combustion chamber, a preliminary test should be performed.

INSTALLATION

BOILER PLATE (C)

Drill the combustion chamber locking plate as shown in (C). The position of the threaded holes can be marked using the thermal screen supplied with the burner.

BLAST TUBE LENGTH (D)

The length of the blast tube must be selected according to the indications provided by the manufacturer of the boiler, and in any case it must be greater than the thickness of the boiler door complete with its fettling. The length available, L (mm), is 370 mm.

For boilers with front flue passes (12) or flame inversion chambers, protective fettling in refractory material (10) must be inserted between the boiler fettling (11) and the blast tube (9). This protective fettling must not compromise the extraction of the blast tube.

For boilers having a water-cooled front the refractory fettling (10)-(11)(D) is not required unless it is expressly requested by the boiler manufacturer.

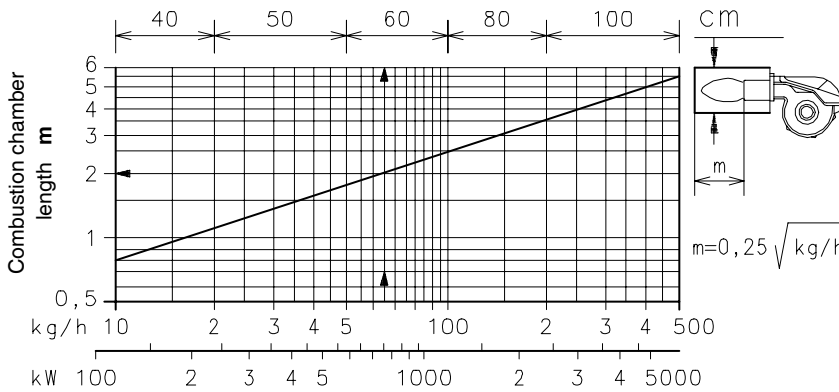
SECURING THE BURNER TO THE BOILER (D)

Disassemble the blast tube (9) from the burner (6) by proceeding as follows:

- Loosen the four screws (3) and remove the cover (1).
- Remove the screws (2) from the two slide bars (5).
- Remove the two screws (4) fixing the burner (6) to the flange (7).
- Withdraw the blast tube (9) complete with flange (7) and slide bars (5).

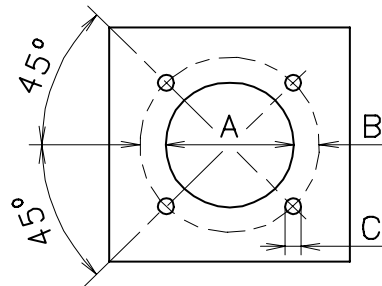
Secure flange (7)(D) to the boiler plate interposing the supplied gasket (8)(D). Use the 4 screws provided after having protected the thread with anticruffing products.

The burner-boiler seal must be airtight.

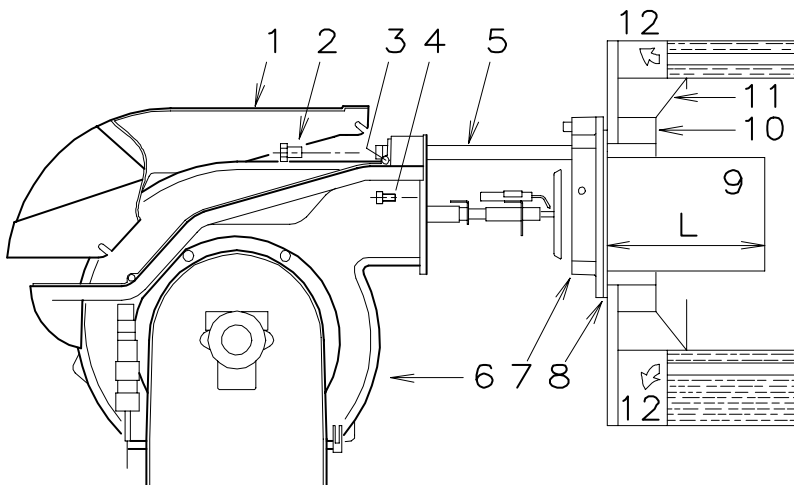


(B)

mm	A	B	C
RL 190	230	325-368	M 16

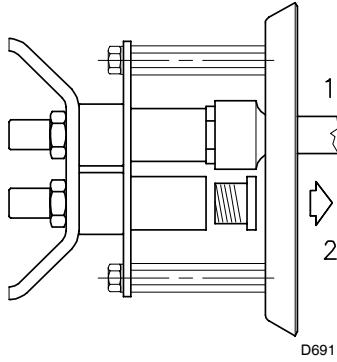


(C)

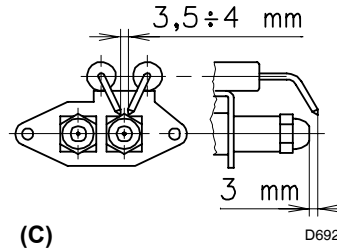


(D)

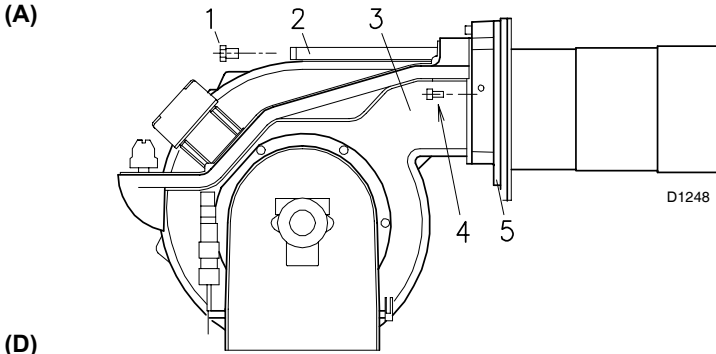
GPH	kg/h			kW
	10 bar	12 bar	14 bar	
10,0	38,4	42,4	46,1	502,9
10,5	40,4	44,6	48,4	529,0
11,0	42,3	46,7	50,7	553,9
12,0	46,1	50,9	55,3	603,7
12,3	47,3	52,2	56,7	619,1
13,0	50,0	55,1	59,9	653,5
13,8	53,1	58,5	63,3	693,8
14,0	53,8	59,4	64,5	704,5
15,0	57,7	63,6	69,2	754,3
15,3	58,8	64,9	70,5	769,7
16,0	61,5	67,9	73,8	805,3
17,0	65,4	72,1	78,4	855,1
17,5	67,3	74,2	80,7	880,0
18,0	69,2	76,4	83,0	906,1
19,0	73,0	80,6	87,6	956,0
19,5	75,0	82,7	89,9	980,9
20,0	76,9	84,8	92,2	1005,8
21,5	82,7	91,2	99,1	1081,7
22,0	84,6	93,3	101,4	1106,6
22,5	86,5	95,5	103,7	1132,6
23,0	88,4	97,6	106,0	1157,5
23,5	90,4	99,7	108,3	1182,4
24,0	92,2	101,8	110,6	1207,3
24,5	94,2	104,0	112,9	1233,5
25,0	96,1	106,0	115,3	1257,2
25,5	98,0	108,2	117,6	1283,2
26,0	99,9	110,3	119,9	1308,2
26,5	101,9	112,4	122,2	1333,1
27,0	103,8	114,5	124,5	1358,0
27,5	105,7	116,7	126,8	1384,1
28,0	107,6	118,8	129,1	1409,0



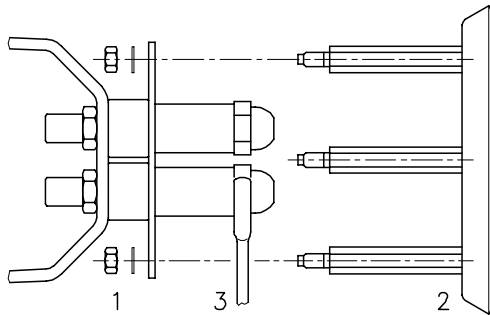
(B)



(C)

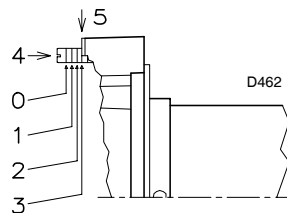


(A)

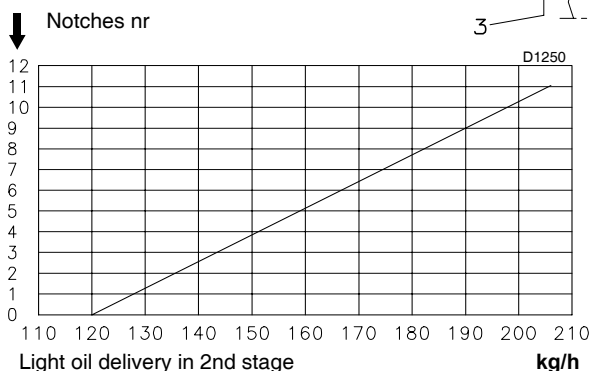


(E)

COMBUSTION HEAD SETTING



(F)



(G)

CHOICE OF NOZZLES FOR 1ST AND 2ND STAGE

Both nozzles must be chosen from among those listed in Table (A).

The first nozzle determines the delivery of the burner in the 1st stage.

The second nozzle works together with the 1st nozzle to determine the delivery of the burner in the 2nd stage.

The deliveries of the 1st and 2nd stages must be contained within the value range indicated on page 6.

Use nozzles with a 60° spray angle at the recommended pressure of 12 bar.

As a rule the two nozzles have equal deliveries but the 1st stage nozzle may have a delivery less than 50% of the total delivery when a reduction of the counter-pressure peak is desired at the moment of starting (the burner allows good combustion rates also with a 40 - 100 % ratio between the 1st and 2nd stage).

Example

Boiler output = 1630 kW - efficiency 90 %

Output required by the burner =

1630 : 0,9 = 1812 kW;

1812 : 2 = 906 KW per nozzle;

therefore, two equal, 60°, 12 bar nozzles are required:

1° = 18 GPH - 2° = 18 GPH,

or the following two different nozzles:

1° = 16 GPH - 2° = 20 GPH.

NOZZLE ASSEMBLY

At this stage of installation the burner is still disassembled from the blast tube; it is therefore possible to fit the nozzle with the box spanner 1)(B) (16 mm), after having removed the plastic plugs 2)(B), fitting the spanner through the central hole in the flame stability disk. Do not use any sealing products such as gaskets, sealing compound, or tape. Be careful to avoid damaging the nozzle sealing seat. The nozzles must be screwed into place tightly but not to the maximum torque value provided by the wrench.

The nozzle for the 1st stage of operation is the one lying beneath the firing electrodes Fig. (C).

Make sure that the electrodes are positioned as shown in Figure (C).

Finally remount the burner 3)(D) on the slide bars 2) and slide it up to the flange 5), keeping it slightly raised to prevent the flame stability disk from pressing against the blast tube.

Tighten the screws 1) on the slide bars 2) and screws 4) fixing the burner to the flange.

If it proves necessary to change a nozzle with the burner already fitted to the boiler, proceed as outlined below:

- Pull back the burner on its slide bars as shown in fig. (D)p.10.
- Remove the nuts 1)(E) and the disk 2)
- Use spanner 3)(E) to change the nozzles.

COMBUSTION HEAD SETTING

The setting of the combustion head depends exclusively on the burner delivery in the 2nd stage - in other words, the combined delivery of the two nozzles selected in table (A).

Turn screw 4)(F) until the notch shown in diagram (G) is level with the front surface of flange 5)(F).

Example:

The RL 190 Model with two 18 GPH nozzles and 12 bar pump pressure.

Find the delivery of the two 18 GPH nozzles in Table (A):

76,4 + 76,4 = 152,8 kg/h.

Diagram (G) indicates that for a delivery of 152,8 kg/h the RL 190 Model requires the combustion head to be set to approx. four notches, as shown in Figure (F).

HYDRAULIC SYSTEM

FUEL SUPPLY

Double-pipe circuit (A)

The burner is equipped with a self-priming pump which is capable of feeding itself within the limits listed in the table at the side.

The tank higher than the burner A

Distance "P" must not exceed 10 meters in order to avoid subjecting the pump's seal to excessive strain; distance "V" must not exceed 4 meters in order to permit pump self-priming even when the tank is almost completely empty.

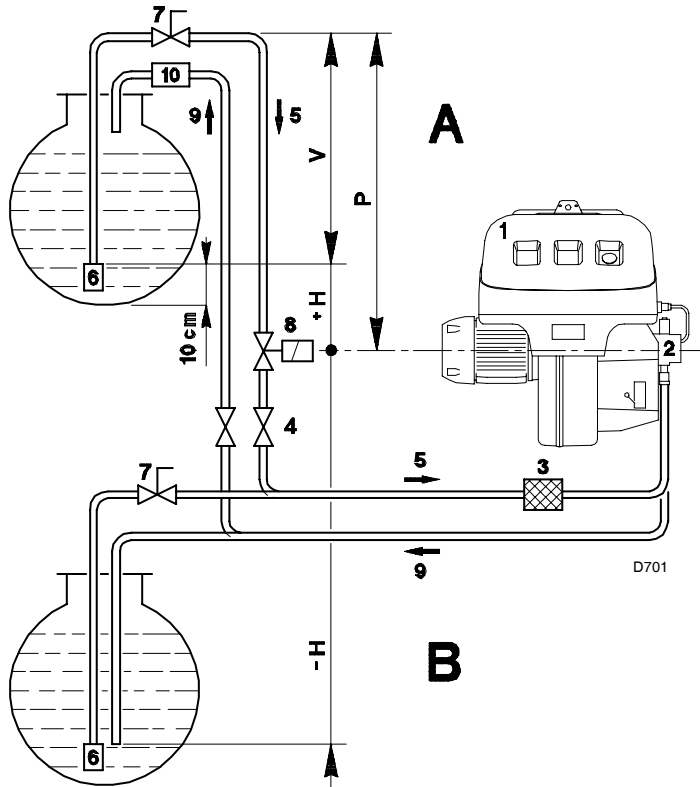
The tank lower than the burner B

Pump depression values higher than 0.45 bar (35 cm Hg) must not be exceeded because at higher levels gas is released from the fuel, the pump starts making noise and its working life-span decreases.

It is good practice to ensure that the return and suction lines enter the burner from the same height; in this way it will be less probable that the suction line fails to prime or stops priming.

The loop circuit

A loop circuit consists of a loop of piping departing from and returning to the tank with an auxiliary pump that circulates the fuel under pressure. A branch connection from the loop goes to feed the burner. This circuit is extremely useful whenever the burner pump does not succeed in self-priming because the tank distance and/or height difference are higher than the values listed in the Table.



+ H - H (m)	L (m)		
	Ø (mm)		
	12	14	16
+ 4,0	71	138	150
+ 3,0	62	122	150
+ 2,0	53	106	150
+ 1,0	44	90	150
+ 0,5	40	82	150
0	36	74	137
- 0,5	32	66	123
- 1,0	28	58	109
- 2,0	19	42	81
- 3,0	10	26	53
- 4,0	-	10	25

Key

- H = Pump/foot valve height difference
- L = Piping length
- Ø = Inside pipe diameter
- 1 = Burner
- 2 = Pump
- 3 = Filter
- 4 = Manual on/off valve
- 5 = Suction line
- 6 = Foot valve
- 7 = Rapid closing manual valve remote controlled (only Italy)
- 8 = On/off solenoid valve (only Italy)
- 9 = Return line
- 10 = Check valve (only Italy)

• HYDRAULIC CONNECTIONS (B)

The pumps are equipped with a by-pass that connects return line with suction line. The pumps are installed on the burner with the by-pass closed by screw 6)(B)p.11.

It is therefore necessary to connect both hoses to the pump.

The pump will break down immediately if it is run with the return line closed and the by-pass screw inserted.

Remove the plugs from the suction and return connections of the pump.

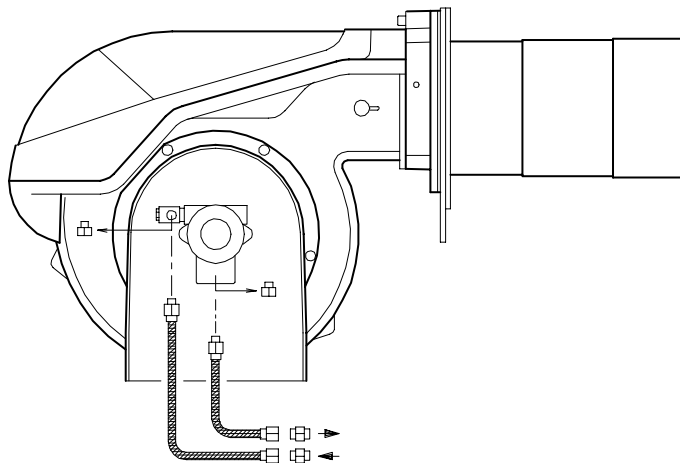
Insert the hose connections with the supplied seals into the connections and screw them down.

Take care that the hoses are not stretched or twisted during installation.

Install the hoses where they cannot be stepped on or come into contact with hot surfaces of the boiler.

Now connect the other end of the hoses to the suction and return lines by using the supplied nipples.

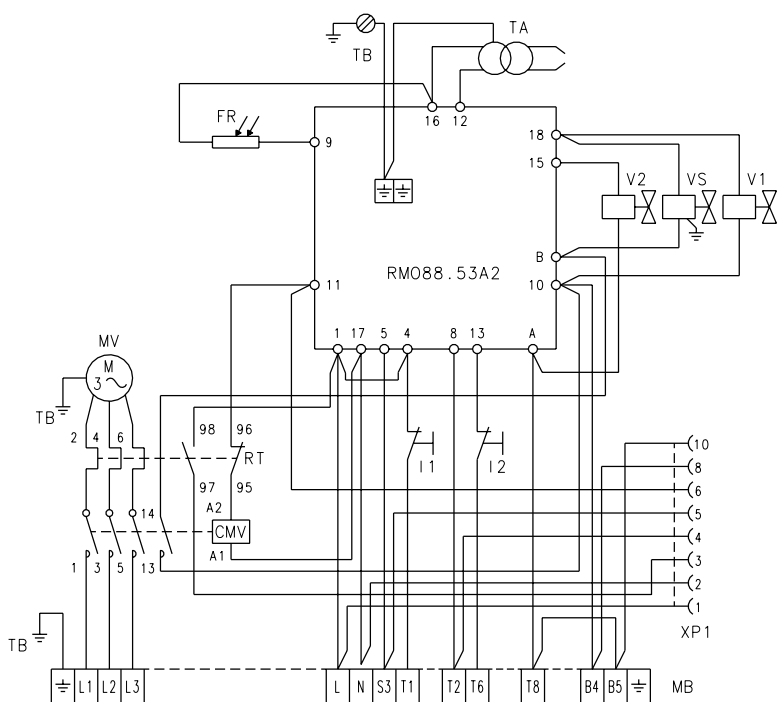
(A)



(B)

D1244

ELECTRICAL SYSTEM as set up by the manufacturer



Key to Layout (A) - (B)

- CMV - Motor contactor
- FR - Photocell
- I1 - Switch: burner off - on
- I2 - Switch: 1st - 2nd stage operation
- MB - Terminal strip
- MV - Fan motor
- RMO88.53A2 - Control box
- RT - Thermal cut-out
- TA - Ignition transformer
- TB - Burner ground (earth) connection
- V1 - 1st stage solenoid valve
- V2 - 2nd stage solenoid valve
- VS - Safety solenoid valve
- XP1 - Connector for STATUS

NOTE

For remote-reset, connect a push-button switch (NO) between terminal 3 and neutral of the control box (terminals 15, 16, 17 and 18).

ELECTRICAL CONNECTIONS

set by installer

Use flexible cables according to regulation EN 60 335-1:

- if in PVC boot, use at least HO5 VV-F
- if in rubber boot, use at least H05 RR-F.

All the cables to be connected to the burner terminal strip 8(B) must be routed through the fairleads.

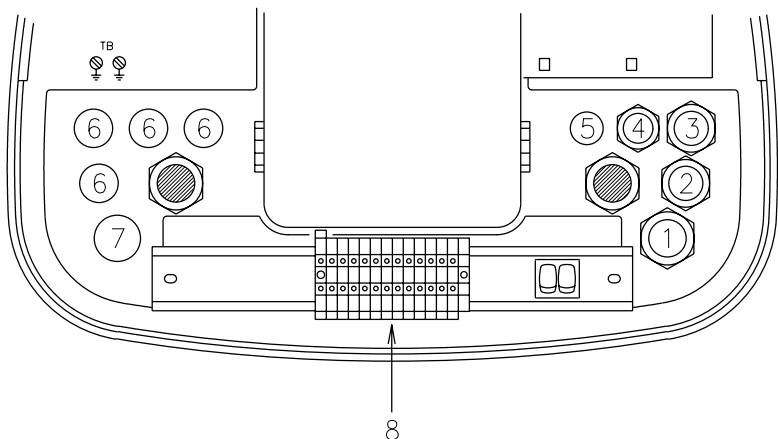
The fairleads can be used in various ways. One example is given below:

- 1- Pg 13,5 Three-phase power supply
- 2- Pg 11 Single-phase power supply
- 3- Pg 11 Control device TL
- 4- Pg 9 Control device TR
- 5- Pg 9 Set up for fair lead
- 6- Pg 11 Set up for fair lead
- 7- Pg 13,5 Set up for fair lead

(A)

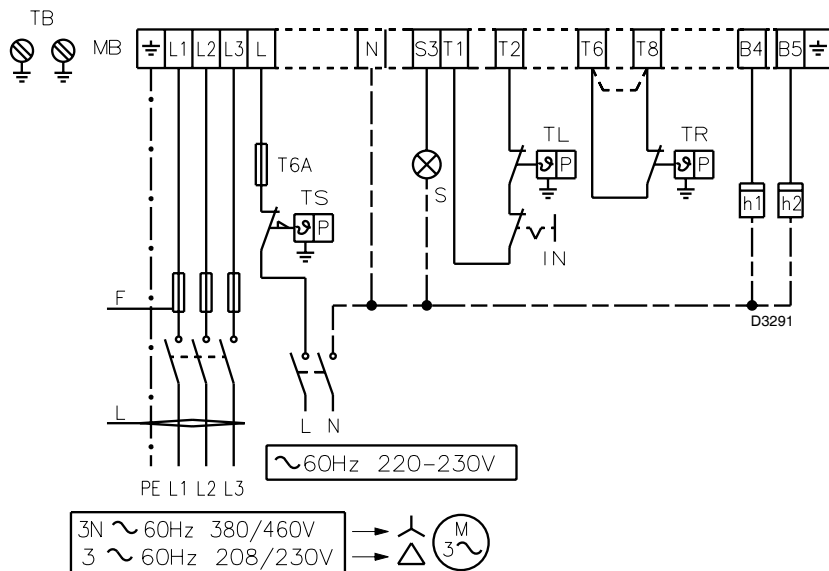
D3229

ELECTRICAL CONNECTIONS



(B)

D3312



LAYOUT (A)
RL 190 electrical connection three-phase 230/400 V power supply with neutral phase wire

Fuses and cables section layout (A), see table.

Key to wiring layouts (A)

- h1 - 1st stage hourcounter
- h2 - 2nd stage hourcounter
- IN - Manual burner stop switch
- MB - Terminal strip
- S - Remote lock-out signal
- TB - Burner ground (earth) connection
- TL - Limit control device system:
This shuts down the burner when the boiler temperature or pressure exceeds the set-point value.
- TR - High-low mode control device system:
This controls operating stages 1 and 2 and is necessary only for two-stage operation.
- TS - Safety control device system:
This operates when TL is faulty.

Important: the burner is factory set for two-stage operation and it must therefore be connected to the TR remove control device to command light oil valve V2.

Alternatively, if single stage operation is required, instead of control device TR install a jumper lead between terminal 11 and 12 of the terminal strip.

The RL 190 burner has been type- approved for intermittent operation. This means they should compulsorily be stopped at least once every 24 hours to enable the control box to perform checks of its own efficiency at start-up. Burner halts are normally provided for automatically by the boiler load control system.

If this is not the case, a time switch should be fitted in series to IN to provide for burner shut-down at least once every 24 hours.

		RL 190	
		208-230 V	380-460 V
F	A gG/gL	25	16
	A aM	20	12
L	mm ²	2,5	2,5

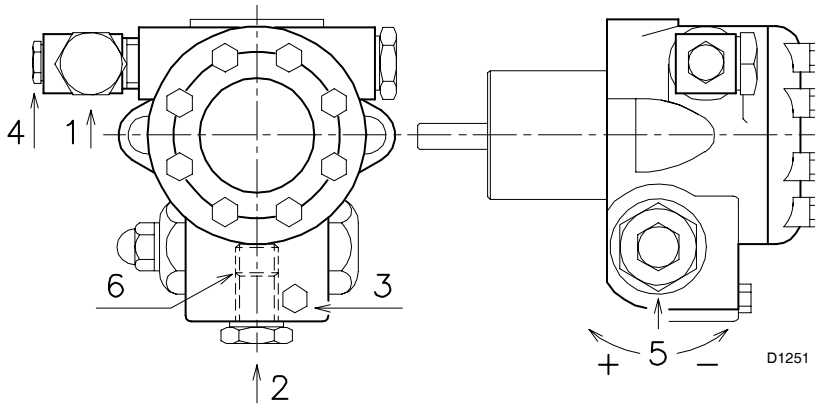
(A)

Model	Thermal relay adjustment
RL 190 - 220 V	16 A
RL 190 - 380 V	9.5 A

WARNING: Do not invert the neutral with the phase wire in the electricity supply line.

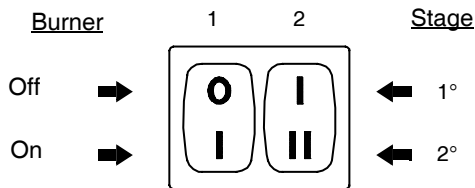
(B)

**PUMP
SUNTEC J7 C**



		J7 C
A	kg/h	230
B	bar	10 - 21
C	bar	0,45
D	cSt	2,8 - 200
E	°C	90
F	bar	1,5
G	bar	12
H	mm	0,170

(A)



(B)

D469

PUMP (A)

- 1 - Suction G 1/2"
- 2 - Return G 1/2"
- 3 - Pressure gauge attachment G 1/8"
- 4 - Vacuum meter attachment G 1/8"
- 5 - Pressure adjustment screw
- 6 - By-pass screw

- A - Min. delivery rate at 12 bar pressure
- B - Delivery pressure range
- C - Max. suction depression
- D - Viscosity range
- E - Max light oil temperature
- F - Max. suction and return pressure
- G - Pressure calibration in the factory
- H - Filter mesh width

PUMP PRIMING

- Before starting the burner, make sure that the tank return line is not clogged. Obstructions in the line could cause the sealing organ located on the pump shaft to break. (The pump leaves the factory with the by-pass closed).
- In order for self-priming to take place, the screw 3(A) of the pump must be loosened to bleed off the air contained in the suction line.
- Start the burner by closing the control devices with switch 1)(B) in the "ON" position. The pump must rotate in the direction of the arrow marked on the cover.
- The pump can be considered primed when the light oil starts coming out of the screw 3). Stop the burner: switch 1)(C) set to "OFF" and tighten the screw 3).

The time required for this operation depends upon the diameter and length of the suction tubing. If the pump fails to prime at the first starting of the burner and the burner locks out, wait approx. 15 seconds, reset the burner, and then repeat the starting operation as often as required. After 5 or 6 starting operations allow 2 or 3 minutes for the transformer to cool. Do not illuminate the photocell or the burner will lock out; the burner should lock out anyway about 10 seconds after it starts.

Important: the a.m. operation is possible because the pump is already full of fuel when it leaves the factory. If the pump has been drained, fill it with fuel through the opening on the vacuum meter prior to starting; otherwise, the pump will seize. Whenever the length of the suction piping exceeds 20-30 meters, the supply line must be filled using a separate pump.

BURNER CALIBRATION

FIRING

Set switch 1)(B) to "ON".

During the first firing, during the passage from the 1st to the 2nd stage, there is a momentary lowering of the fuel pressure caused by the filling of the 2nd stage nozzle tubing. This lowering of the fuel pressure can cause the burner to lock-out and can sometimes give rise to pulsations.

Once the following adjustments have been made, the firing of the burner must generate a noise similar to the noise generated during operation. If one or more pulsations or a delay in firing in respect to the opening of the light oil solenoid valve occur, see the suggestions provided on p. 14: causes 34 to 39.

OPERATION

The optimum calibration of the burner requires an analysis of the flue gases at the boiler outlet and interventions on the following points.

• 1st and 2nd stage nozzles

See the information listed on page 5.

• Combustion head

The adjustment of the combustion head already carried out need not be altered unless the 2nd stage delivery of the burner is changed.

• Pump pressure

12 bar: This is the pressure calibrated in the factory which is usually sufficient for most purposes. Sometimes, this pressure must be adjusted to:

10 bar in order to reduce fuel delivery. This adjustment is possible only if the surrounding temperature remains above 0°C. Never calibrate to pressures below 10 bar, at which pressures the cylinders may have difficulty in opening;

14 bar in order to increase fuel delivery or to ensure firings even at temperatures of less than 0°C.

In order to adjust pump pressure, use the screw 5)(A)p. 9.

• 1st stage fan air gate valve

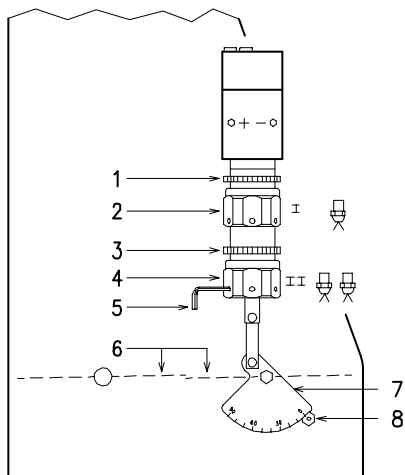
Keep the burner operating at 1st stage by setting the switch 2)(B) to the 1st stage position. Opening of the air gate valves 6)(A) must be adjusted in proportion to the selected nozzle: the index 8)(A) must be aligned with the notch indicated on the graduated sector 7)(A). This adjustment is achieved by turning the hex element 2)(A):

- towards the right direction (- sign) the opening is reduced;
- towards the left direction (+ sign) the opening increases.

• 2nd stage fan air gate valve

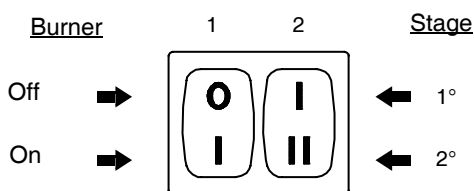
Set switch 2)(B) to the 2nd stage position and adjust the air gate valve 6)(A) by turning the hex element 4)(A), after having loosened the ring nut 3)(A).

NOTE: in order to facilitate adjustment of hex elements 2) and 4)(A), use a 3 mm Allen key 5)(A).



(A)

D1252



(B)

D469

BURNER OPERATION

BURNER STARTING (A) - (B)

Starting phases with progressive time intervals shown in seconds:

- Control device TL closes.
- After about 3s:
- **0 s** : The control box starting cycle begins.
- **2 s** : The fan motor starts.
- **3 s** : The ignition transformer is connected.
- The pump 3) sucks the fuel from the tank through the piping 1) and the filter 2) and pumps it under pressure to delivery. The piston 4) rises and the fuel returns to the tank through the piping 5) - 7). The screw 6) closes the by-pass heading towards suction and the solenoid valves 8) - 11) - 16), de-energized, close the passage to the nozzles.
- The hydraulic cylinder 15), piston A, opens the air gate valve: pre-purging begins with the 1st stage air delivery.
- **22 s** : Solenoid valves 8) and 16) open and the fuel passes through the piping 9) and filter 10) and is then sprayed out through the nozzle, igniting when it comes into contact with the spark. This is the 1st stage flame.
- **29 s** : The ignition transformer switches off.
- **36 s** : If the control device TR is closed or has been replaced by a jumper wire, the 2nd stage solenoid valve 11), energized, opens two passages: one to piping 12), filter 13), and the 2nd stage nozzle, and the other to the cylinder 15), piston B, that opens the fan air gate valve in the 2nd stage.
- The starting cycle comes to an end.

STEADY STATE OPERATION

System equipped with one control device TR
Once the starting cycle has come to an end, the command of the 2nd stage solenoid valve passes on to the control device TR that controls boiler temperature or pressure.

- When the temperature or the pressure increases until the control device TR opens, solenoid valve 11) closes, and the burner passes from the 2nd to the 1st stage of operation.
- When the temperature or pressure decreases until the control device TR closes, solenoid valve 11) opens, and the burner passes from the 1st to the 2nd stage of operation, and so on.
- The burner stops when the demand for heat is less than the amount of heat delivered by the burner in the 1st stage. In this case, the control device TL opens, and solenoid valves 8)-16) close, the flame immediately goes out. The fan's air gate valve closes completely.

Systems not equipped with control device TR (jumper wire installed)

The burner is fired as described in the case above. If the temperature or pressure increase until control device TL opens, the burner shuts down (Section A-A in the diagram).

When the solenoid valve 11) de-energizes, the fuel contained in the cylinder 15), piston B, is discharged through the nozzle.

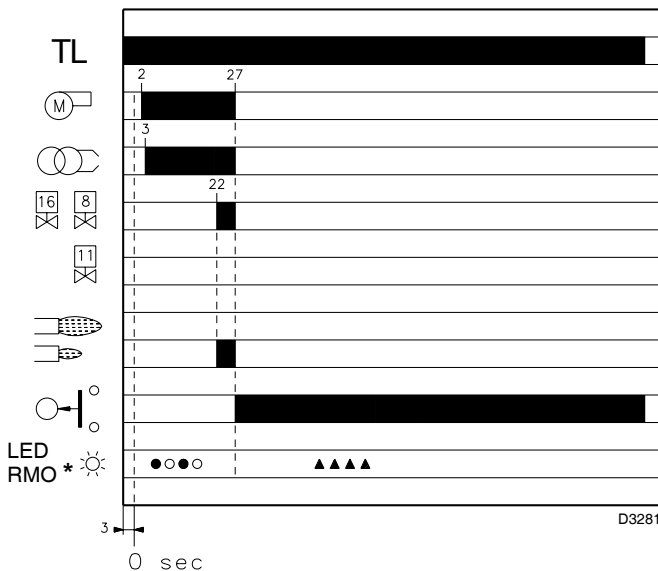
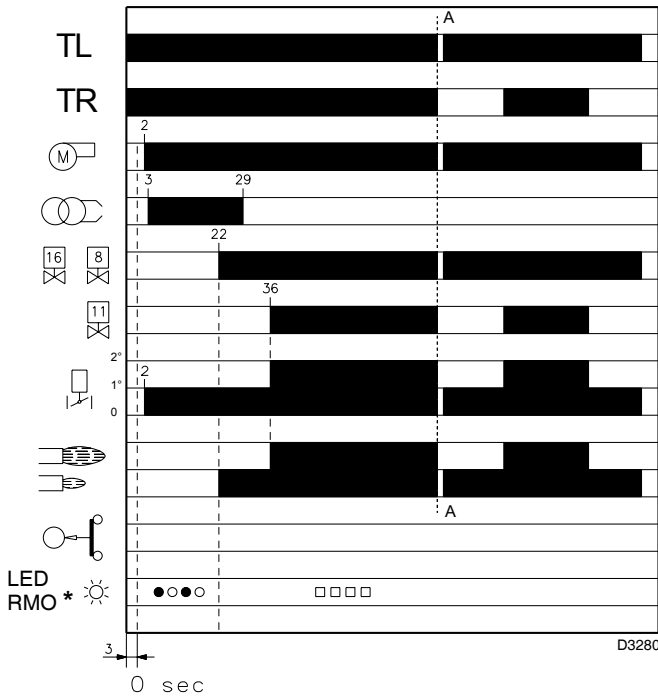
FIRING FAILURE

If the burner does not fire, it goes into lock-out within 5 s of the opening of the 1st nozzle valve and 30 s after the closing of control device TL.

The control box red pilot light will light up.

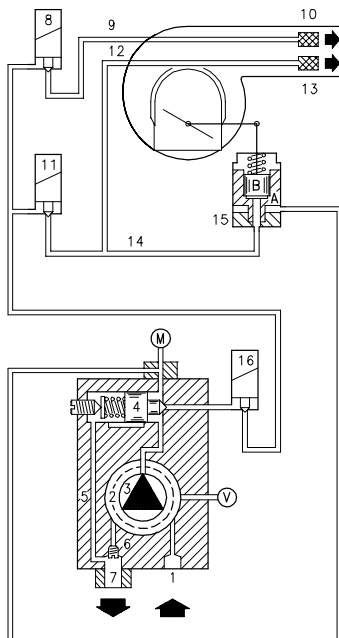
UNDESIRE SHUTDOWN DURING OPERATION

If the flame goes out during operation, the burner shuts down automatically within 1 second and automatically attempts to start again by repeating the starting cycle.



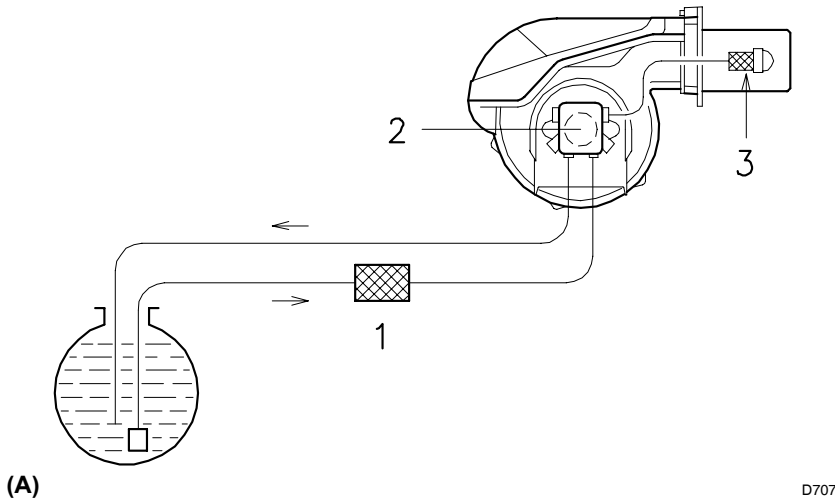
- *
 Off ● Yellow □ Green ▲ Red
 For further details see page 13.

(A)



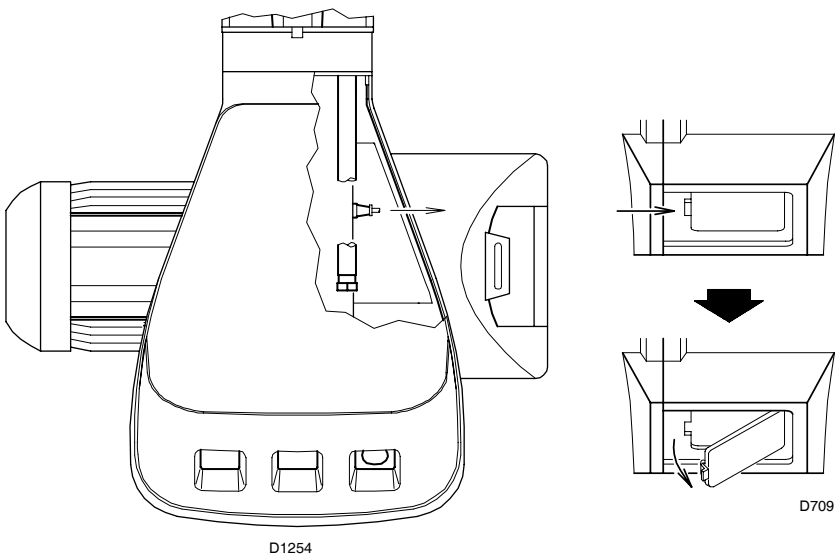
(B)

D1253



(A)

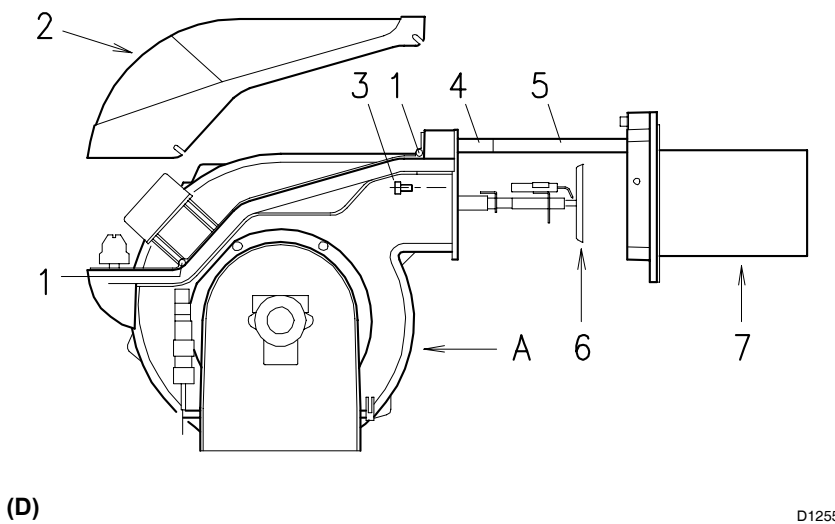
D707



(B)

D709

(C)



(D)

D1255

FINAL CHECKS

- **Obscure the photocell and switch off the control devices:** the burner should start and then lock-out about 5 s after opening of the 1st stage operation valve.
- **Illuminate the photocell and switch off the control devices:** the burner should start and then go into lock-out after about 10 s.
- **Obscure the photocell while the burner is in 2nd stage operation,** the following must occur in sequence: flame extinguished within 1 s, pre-purging for about 20 ÷ 28 s, sparking for about 5 s, burner goes into lock-out.
- **Switch on control device TL followed by control device TS while the burner is operating:** the burner should stop.

MAINTENANCE

Combustion. It is required an analysis of the flue gases at the boiler outlet. Significant differences with respect to the previous measurements indicate the points where more care should be exercised during maintenance.

Pump

The **pump delivery pressure** must be stable at 12 bar.

The **depression** must be less than 0.45 bar.

Unusual noise must not be evident during pump operation.

If the pressure is found to be unstable or if the pump runs noisily, the flexible hose must be detached from the line filter and the fuel must be sucked from a tank located near the burner. This measure permits the cause of the anomaly to be traced to either the suction line or the pump.

If the pump is found to be responsible, check to make sure that the filter is not dirty. The vacuum meter is installed up-line from the filter and consequently will not indicate whether the filter is clogged or not. Contrarily, if the problem lies in the suction line, check to make sure that the filter is clean and that air is not entering the piping.

Filters (A)

Check the following filter boxes:

- on line 1) • in pump 2) • at nozzle 3), and clean or replace as required.

If rust or other impurities are observed inside the pump, use a separate pump to suck out any water and other impurities that may have deposited on the bottom of the tank.

Fan. Check to make sure that no dust has accumulated inside the fan or on its blades, as this condition will cause a reduction in the air flow rate and provoke polluting combustion.

Combustion head. Check to make sure that all the parts of the combustion head are in good condition, positioned correctly, free of all impurities, and that no deformation has been caused by operation at high temperatures.

Nozzles. Do not clean the nozzle openings.

Replace the nozzles every 2-3 years or whenever necessary. Combustion must be checked after the nozzles have been changed.

Photocell (B). Clean the glass cover from any dust that may have accumulated. Photocell (1) can be removed by pulling it outward forcefully.

Flame inspection window (C) Clean the glass.

Flexible hoses. Check to make sure that the flexible hoses are still in good condition.

Fuel tank. Every 5 years, or whenever necessary, suck out any water or other impurities present on the bottom of the tank using a separate pump.

Boiler. Clean the boiler as indicated in its accompanying instructions in order to maintain all the original combustion characteristics intact, especially the flue gas temperature and combustion chamber pressure. Lastly, check the condition of the flue gas stack.

TO OPEN THE BURNER (D)

- Switch off the electrical power
- Loosen screws 1) and withdraw the cover 2)
- Unscrew screws 3)
- Fit the two extensions 4) supplied with the burner onto the slide bars 5)
- Pull part A backward keeping it slightly raised to avoid damaging the disk 6) on blast tube 7).

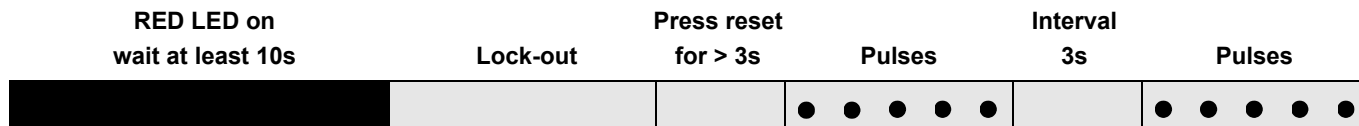
BURNER START-UP CYCLE DIAGNOSTICS

During start-up, indication is according to the following table:

COLOUR CODE TABLE	
Sequences	Colour code
Pre-purging	● ○ ● ○ ● ○ ● ○ ●
Ignition phase	● ○ ● ○ ● ○ ● ○ ●
Operation, flame ok	□ □ □ □ □ □ □ □ □
Operating with weak flame signal	□ ○ □ ○ □ ○ □ ○ □
Electrical supply lower than ~ 170V	● ▲ ● ▲ ● ▲ ● ▲ ●
Lock-out	▲ ▲ ▲ ▲ ▲ ▲ ▲ ▲ ▲
Extraneous light	▲ □ ▲ □ ▲ □ ▲ □ ▲
Key:	○ Off ● Yellow □ Green ▲ Red

RESETTING THE CONTROL BOX AND USING DIAGNOSTICS

The control box features a diagnostics function through which any causes of malfunctioning are easily identified (indicator: **RED LED**). To use this function, you must wait at least 10 seconds once it has entered the safety condition (**lock-out**), and then press the reset button. The control box generates a sequence of pulses (1 second apart), which is repeated at constant 3-second intervals. Once you have seen how many times the light pulses and identified the possible cause, the system must be reset by holding the button down for between 1 and 3 seconds.



The methods that can be used to reset the control box and use diagnostics are given below.

RESETTING THE CONTROL BOX

To reset the control box, proceed as follows:

- Hold the button down for between 1 and 3 seconds.
The burner restarts after a 2-second pause once the button is released.
If the burner does not restart, you must make sure the limit thermostat is closed.

VISUAL DIAGNOSTICS

Indicates the type of burner malfunction causing lock-out.

To view diagnostics, proceed as follows:

- Hold the button down for more than 3 seconds once the red LED (burner lock-out) remains steadily lit.
A yellow light pulses to tell you the operation is done.
Release the button once the light pulses. The number of times it pulses tells you the cause of the malfunction, according to the coding system indicated in the table on page 14.

SOFTWARE DIAGNOSTICS

Reports burner life by means of an optical link with the PC, indicating hours of operation, number and type of lock-outs, serial number of control box etc ...

To view diagnostics, proceed as follows:

- Hold the button down for more than 3 seconds once the red LED (burner lock-out) remains steadily lit.
A yellow light pulses to tell you the operation is done.
Release the button for 1 second and then press again for over 3 seconds until the yellow light pulses again.
Once the button is released, the red LED will flash intermittently with a higher frequency: only now can the optical link be activated.

Once the operations are done, the control box's initial state must be restored using the resetting procedure described above.

BUTTON PRESSED FOR	CONTROL BOX STATUS
Between 1 and 3 seconds	Control box reset without viewing visual diagnostics.
More than 3 seconds	Visual diagnostics of lock-out condition: (LED pulses at 1-second intervals).
More than 3 seconds starting from the visual diagnostics condition	Software diagnostics by means of optical interface and PC (hours of operation, malfunctions etc. can be viewed)

The sequence of pulses issued by the control box identifies the possible types of malfunction, which are listed in the table on page 14.

SIGNAL	FAULT	PROBABLE CAUSE	SUGGESTED REMEDY
No blink	The burner does not start	1 - No electrical power supply 2 - Linmit control device TL is open 3 - Safety control device TS is open 4 - Control box lock-out 5 - Pump is jammed 6 - Erroneous electrical connections 7 - Defective control box 8 - Defective electrical motor	Close all switches - Check fuses Adjust or replace Adjust or replace Reset control box (no sooner than 10 s after the lock-out) Replace Check connections Replace Replace
2 led ● ●	After pre-purge and the safety time, the burner goes to lock-out and the flame does not appear	9 - No fuel in tank; water on tank bottom 10 - Inappropriate head and air damper adjustments 11 - Light oil solenoid valves fail to open (1st stage or safety) 12 - 1st stage nozzle clogged, dirty, or deformed 13 - Dirty or poorly adjusted firing electrodes 14 - Grounded electrode due to broken insulation 15 - High voltage cable defective or grounded 16 - High voltage cable deformed by high temperature 17 - Ignition transformer defective 18 - Erroneous valves or transformer electrical connections 19 - Control box defective 20 - Pump unprimed 21 - Pump/motor coupling broken 22 - Pump suction line connected to return line 23 - Valves up-line from pump closed 24 - Filters dirty: line - pump - nozzle 25 - Defective photocell or control box 26 - Dirty photocell 27 - 1st stage operation of cylinder is faulty 28 - Motor protection tripped 29 - Defective motor command control device 30 - Missing phase thermal cut-out trips 31 - Incorrect motor rotation direction	Top up fuel level or suck up water Adjust, see page 5 and 10 Check connections; replace coil Replace Adjust or clean Replace Replace Replace and protect Replace Check Replace Prime pump and see "Pump unprimes" Replace Correct connection Open Clean Replace photocell or control box Clean Change the cylinder Reset thermal cut-out Replace Reset thermal cut-out when third phase is re-connected Change motor electrical connections
4 led ● ● ● ●	The burner starts and then goes into lock-out	32 - Photocell short-circuit 33 - Light is entering or flame is simulated	Replace photocell Eliminate light or replace control box
7 led ● ● ● ● ● ● ●		34 - Poorly adjusted head 35 - Poorly adjusted or dirty firing electrodes 36 - Poorly adjusted fan air gate: too much air (1st stage) 37 - 1st nozzle is too big (pulsation) 38 - 1st nozzle is too small (flame detachment) 39 - 1st nozzle dirty, or deformed 40 - Inappropriate pump pressure 41 - 1st stage nozzle unsuited to burner or boiler 42 - Defective 1st stage nozzle	Adjust, see page 5, fig. (F) Adjust, see page 5, fig. (B) Adjust Reduce 1st nozzle delivery Increase 1st nozzle delivery Replace Adjust to between 10 and 14 bar See Nozzle Table, page 12; reduce 1st stage Replace
	The burner does not pass to 2nd stage	43 - Control device TR does not close 44 - Defective control box 45 - 2nd stage sol. valve coil defective	Adjust or replace Replace Replace
	Fuel passes to 2nd stage but air remains in 1st	46 - Low pump pressure 47 - 2nd stage operation of cylinder is faulty	Increase Change cylinder
	Burner stops at transition between 1st and 2nd stage. Burner repeats starting cycle	48 - Nozzle dirty 49 - Photocell dirty 50 - Excess air	Renew nozzle Clean Reduce
	Uneven fuel supply	51 - Check if cause is in pump or fuel supply system	Feed burner from tank located near burner
	Internally rusted pump	52 - Water in tank	Suck water from tank bottom with separate pump
	Noisy pump, unstable pressure	53 - Air has entered the suction line - Depression value too high (higher than 35 cm Hg): 54 - Tank/burner height difference too great 55 - Piping diameter too small 56 - Suction filters clogged 57 - Suction valves closed 58 - Paraffin solidified due to low temperature	Tighten connectors Feed burner with loop circuit Increase Clean Open Add additive to light oil
	Pump unprimes after prolonged pause	59 - Return pipe not immersed in fuel 60 - Air enters suction piping	Bring to same height as suction pipe Tighten connectors
	Pump leaks light oil	61 - Leakage from sealing organ	Replace pump
	Smoke in flame - dark Bacharach - yellow Bacharach	62 - Not enough air 63 - Nozzle worn or dirty 64 - Nozzle filter clogged 65 - Erroneous pump pressure 66 - Flame stability spiral dirty, loose, or deformed 67 - Boiler room air vents insufficient 68 - Too much air	Adjust head and fan gate, see page 5 and 10 Replace Clean or replace Adjust to between 10 - 14 bar Clean, tighten in place, or replace Increase Adjust head and fan gate, see page 5 and 10
	Dirty combustion head	69 - Nozzle or filter dirty 70 - Unsuitable nozzle delivery or angle 71 - Loose nozzle 72 - Impurities on flame stability spiral 73 - Erroneous head adjustment or not enough air 74 - Blast tube length unsuited to boiler	Replace See recommended nozzles, page 5 Tighten Clean Adjust, see page 10; open gate valve Contact boiler manufacturer
10 led ● ● ● ● ● ● ● ● ● ●	The burner goes to lock-out	75 - Connection or internal fault 76 - Presence of electromagnetic disturbance	Use the radio disturbance protection kit

STATUS (optional)

STATUS

Accessory available on request.
See page 2.

ASSEMBLY

The burners are preset to accept the Status. To assemble, proceed as follows:

- Connect Status 1) using connector 2) fitted on the bracket 3).
- Fasten Status to the bracket using the screws 4) supplied with the kit.

The **STATUS** unit has three functions:

1 - BURNER OPERATING HOURS AND THE NUMBER OF FIRINGS ARE SHOWN ON DISPLAY V

Total operating hours

Press button "h1".

2nd stage operating hours

Press button "h2".

1st stage operating hours

Total hours - 2nd stage operating hours

Number of firings

Press button "count".

Resetting operating hours and number of firings

Press the three "reset" buttons simultaneously.

Non-volatile memory

The operating hours and the number of firings will remain in the memory even in the case of electrical power failures.

2 - INDICATES THE TIMES RELATIVE TO THE FIRING STAGE

The leds illuminate in the following sequence, see fig. A:

WITH CONTROL DEVICE TR CLOSED:

- 1 - Burner off, TL open
- 2 - Control device TL closed
- 3 - Motor start:

seconds count starts on read-out V

4 - 1st stage valve energized

5 - 2nd stage valve energized:

seconds count stops on read-out V

6 - 10 seconds after stage 5 the code I I I I will appear on the read-out: this indicates that the starting phase is terminated.

WITH CONTROL DEVICE TR OPEN:

- 1 - Burner off, TL open
- 2 - Control device TL closed
- 3 - Motor start:

seconds count starts on read-out V

4 - 1st stage valve energized

7 - 30 seconds after stage 4:

seconds count stops on read-out V

8 - 10 seconds after stage 7 the code I I I I will appear on the read-out: this indicates that the starting phase is terminated.

The times, in seconds, shown on read-out V, indicate the succession of the various starting stages described on page 11.

3 - IN THE CASE OF BURNER MALFUNCTIONS, THE STATUS PANEL INDICATES THE EXACT TIME AT WHICH THE FAULT OCCURRED.

There are 3 possible combinations of illuminated leds, see fig. (B).

For the causes of the malfunction refer to the numbers shown between brackets; see the legend on page 14 for interpretation of the numbers.

1 (9 ÷ 10)

2 (11 ÷ 33)

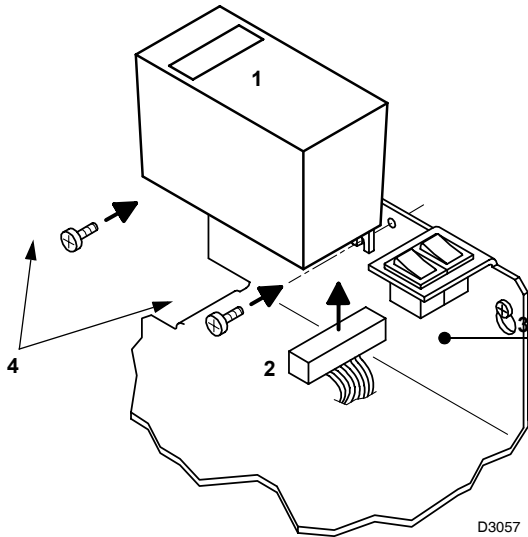
3 (32)

Key to symbols

- **POWER** =Power present
- (M) =Fan motor blocked (red)
- (flame) =Burner lock-out (red)
- (flame) =2nd stage operation
- (flame) =1st stage operation
- (power) = Load level reached (Stand-by)

D478

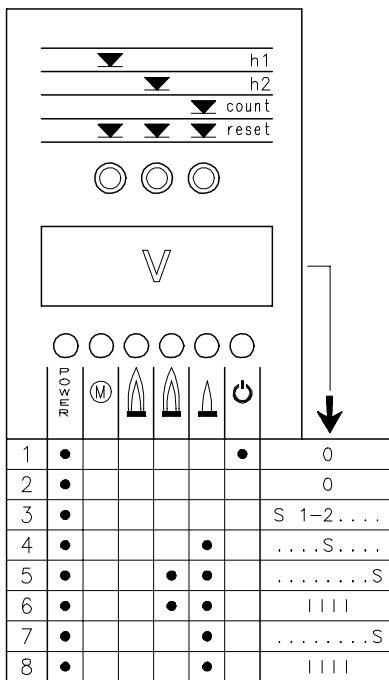
Assembly



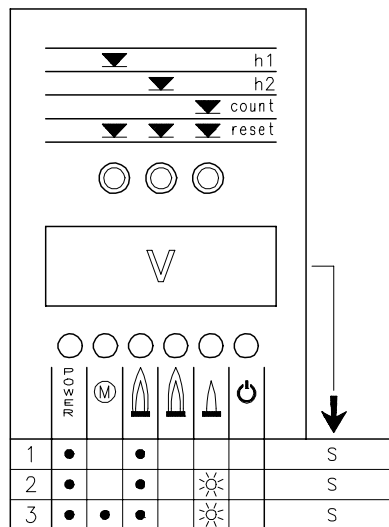
- 1 Status
- 2 Connector
- 3 Bracket of the burner
- 4 Fixing screws

D3057

A



B



D477

☀ = LED flashing

○ = LED illuminated

S = Time in seconds

I I I I = Burner start cycle terminated

(A)

ACCESSORIE (optional):

- **STATUS** (see page 15): code **3010322**

- **RADIO DISTURBANCE PROTECTION KIT**

If the burner is installed in places particularly subject to radio disturbance (emission of signals exceeding 10 V/m) owing to the presence of an INVERTER, or in applications where the length of the thermostat connections exceeds 20 metres, a protection kit is available as an interface between the control box and the burner.

BURNER	RL 190
Code	3010386

E ÍNDICE

CARACTERÍSTICAS TÉCNICAS	pagina 2
Datos eléctricos	2
Versiones constructivas	2
Descripción del quemador	3
Embalaje - Peso	3
Dimensiones	3
Forma de suministro	3
Gráfico Caudal, Potencia-Sobrepresión	4
Caldera de prueba	4
INSTALACIÓN	4
Placa de caldera	4
Longitud tubo llama	4
Fijación del quemador a la caldera	4
Selección boquillas 1ª y 2ª llama	5
Montaje de las boquillas	5
Regulación del cabezal de combustión	5
Instalación hidráulica	6
Instalación eléctrica	7
Bompa	9
Regulación del quemador	10
Funcionamiento del quemador	11
Control final	12
Mantenimiento	12
Diagnóstico del programa de puesta en marcha	13
Desbloqueo de la caja de control y uso de la función de diagnóstico	13
Anomalía - Causa Probable - Solución	14
Status (suministro bajo demanda)	15
Accesorio	16

Nota

Las figuras que se mencionan en el texto se identifican del modo siguiente:

- 1)(A) =Detalle 1 de la figura A, en la misma página que el texto;
1)(A)p.3 =Detalle 1 de la figura A, página N° 3.

Declaración del fabricante			
RIELLO S.p.A. declara que los siguientes productos respetan los valores límite de emisión de los NOx impuestos por la legislación alemana "1. BImSchV versión 26.01.2010".			
Producto	Tipo	Modelo	Potencia
Quemador de gasóleo	673 T80	RL 190	759 - 2443 kW

Legnago, 04.09.2012

Ing. I. Zinna
Dirección División Quemadores
RIELLO S.p.A.



MODELO			RL 190	
CÓDIGO			3475680	20011009
POTENCIA (1)	llama 2°	kW	1423 - 2443	
CAUDAL (1)		Mcal/h	1224 - 2100	
		kg/h	120 - 206	
	llama 1°	kW	759 - 1423	
		Mcal/h	653 - 1224	
		kg/h	64 - 120	
COMBUSTIBLE			GASÓLEO	
- Poder Calorífico Inferior		kWh/kg	11,8	
		Mcal/kg	10,2 (10.200 kcal/kg)	
- Densidad		kg/dm³	0,82 - 0,85	
- Viscosidad a 20 °C		mm²/s max	6 (1,5 °E - 6 cSt)	
FUNCIONAMIENTO			<ul style="list-style-type: none"> Intermitente (mín. 1 paro en 24 horas). 2 llamas (2ª y 1ª) ó 1 llama (todo-nada). 	
BOQUILLAS		numero	2	
UTILIZACIÓN			Calderas: de agua, a vapor y aceite térmico	
TEMPERATURA AMBIENTE		°C	0 - 40	
TEMPERATURA AIRE COMBURENTE		°C max	60	
BOMBA J7C	Caudal (a 12 bar)	kg/h	230	
	Rango presiones	bar	10 - 21	
	Temp. combustible	°C máx	90	
CONFORMIDAD DIRECTIVAS CEE			2006/42 - 2006/95 - 2004/108	
NIVEL SONORO (2)		dBA	83.9	

(1) Condiciones de referencia: Temperatura ambiente 20°C - Presión barométrica 1000 mbar - Altitud sobre el nivel del mar 100 metros.

(2) Presión acústica medida en el laboratorio de combustión del constructor, con quemador funcionando en caldera de prueba a la máxima potencia.

DATOS ELÉCTRICAS

Motor IE1

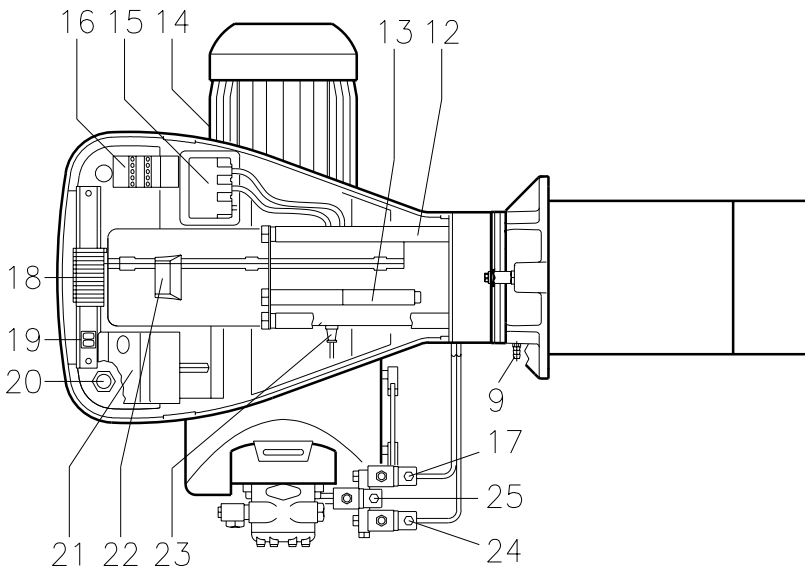
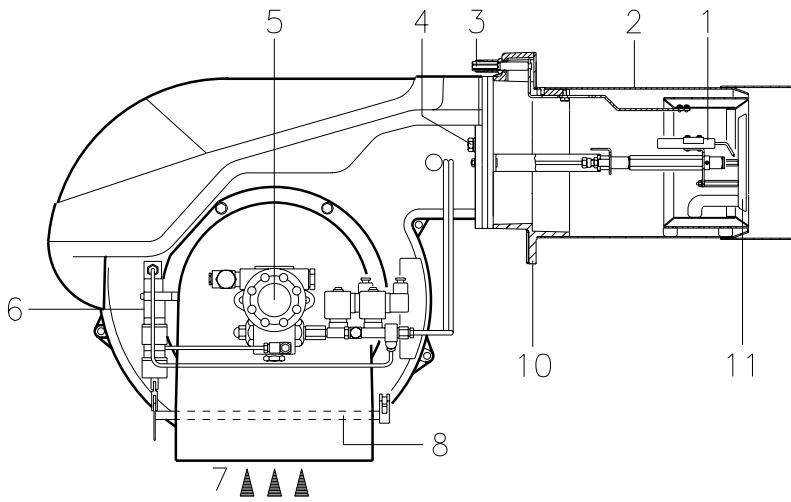
MODELO		RL 190	
ALIMENTACIÓN ELÉCTRICA	V Hz	380 con Neutro +/-10% 60 - Trifásica ~	220 con Neutro +/-10% 60 - Trifásica ~
ALIMENTACIÓN CIRCUITOS AUXILIARES	V	220	
MOTOR ELÉCTRICO	rpm W V	3400 4000 380	3400 4000 220
Intensidad de funcionamiento	A	9,1	15,8
Intensidad de arranque	A	72,8	126
TRANSFORMADOR DE ENCENDIDO	V1 - V2 I1 - I2	230 V - 2 x 5 kV 1,9 A - 35 mA	
CAJA DE CONTROL		RMO88,53A2	
POTENCIA ELÉCTRICA ABSORBIDA	W máx	5870	
GRADO DE PROTECCIÓN		IP 44	

Motor IE2

MODELO		RL 190	
ALIMENTACIÓN ELÉCTRICA	V Hz	380 con Neutro +/-10% 60 - Trifásica ~	220 con Neutro +/-10% 60 - Trifásica ~
ALIMENTACIÓN CIRCUITOS AUXILIARES	V	220	
MOTOR ELÉCTRICO	rpm W V	3540 4000 380	3540 4000 220
Intensidad de funcionamiento	A	8	13,8
TRANSFORMADOR DE ENCENDIDO	V1 - V2 I1 - I2	230 V - 2 x 5 kV 1,9 A - 35 mA	
CAJA DE CONTROL		RMO88,53A2	
POTENCIA ELÉCTRICA ABSORBIDA	W máx	5000	
GRADO DE PROTECCIÓN		IP 44	

VERSIONES CONSTRUCTIVAS

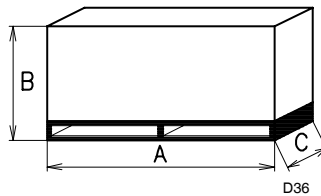
Modelo	Código	Alimentación eléctrica
RL 190	3475680	380 V
RL 190	20011009	220 V



(A)

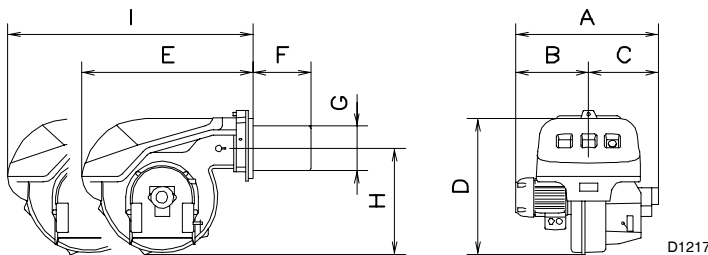
D3930

mm	A	B	C	kg
RL 190	1270	775	890	75



D36

(B)



D1217

mm	A	B	C	D	E	F	G	H	I
RL 190	756	366	390	555	712	370	222	430	1166

(C)

DESCRIPCIÓN DEL QUEMADOR (A)

- 1 Electrodo de encendido
- 2 Cabezal de combustión
- 3 Tornillo regulación cabezal de combustión
- 4 Tornillo fijación del ventilador a la brida
- 5 Bomba
- 6 Cilindro hidráulico para regular el registro de aire en la posición de 1ª y 2ª llama. Cuando el quemador está parado, el registro del aire está completamente cerrado para reducir al mínimo la dispersión térmica de la caldera debido al tiro que toma aire de la boca de aspiración del ventilador.
- 7 Entrada de aire en el ventilador
- 8 Registros de aire
- 9 Toma de presión ventilador
- 10 Brida para la fijación a la caldera
- 11 Disco estabilizador de llama
- 12 Guías para abertura del quemador e inspección del cabezal de combustión
- 13 Prolongadores guías 12)
- 14 Motor eléctrico
- 15 Transformador de encendido
- 16 Contactor motor y relé térmico con pulsador de desbloqueo
- 17 Válvula de 1ª llama
- 18 Regleta de conexiones
- 19 Dos interruptores eléctricos:
 - uno de "marcha-paro" quemador
 - uno para "1ª llama - 2ª llama"
- 20 Pasacables para las conexiones eléctricas a cargo del instalador
- 21 Caja de control con piloto luminoso de bloqueo y pulsador de desbloqueo
- 22 Visor llama
- 23 Seguridad contra fallo de llama mediante fotorresistencia
- 24 Válvula de 2ª llama
- 25 Electroválvula de seguridad

Hay dos posibilidades de bloqueo del quemador:

Bloqueo caja control: la iluminación del pulsador (**led rojo**) de la caja 21)(A) indica que el quemador está bloqueado.

Para desbloquear, oprimir el pulsador durante un tiempo comprendido entre 1 y 3 segundos).

Bloqueo motor: Para desbloquear, oprimir el pulsador del relé térmico 16)(A).

EMBALAJE - PESO (B) - Medidas aproximadas

- El embalaje del quemador se apoya en un soporte de madera adaptado para una carretilla elevadora. Las dimensiones exteriores del embalaje se indican en la tabla (B).
- El peso del quemador completo con embalaje se indica en la tabla (B).

DIMENSIONES MÁXIMAS (C) - Medidas aproximadas

Las dimensiones máximas del quemador se indican en (C).

Tener en cuenta que para inspeccionar el cabezal de combustión, el quemador debe abrirse desplazando la parte posterior por las guías. La longitud que abarca con el quemador abierto está indicada en la cota I

FORMA DE SUMINISTRO

- 2 - Tubos flexibles (L = 1350 mm)
- 2 - Juntas para tubos flexibles
- 2 - Rácores para tubos flexibles
- 1 - Junta aislante
- 4 - Prolongadores 13)(A) para guías 12)(A)
- 4 - Tornillos M16x40 fijación del quemador a la caldera
- 1 - Instrucciones
- 1 - Lista de recambios

GRÁFICOS CAUDAL, POTENCIA-SOBREPRESIÓN (A)

Estos quemadores RL 190 pueden funcionar de dos modos: monollama y billama

El **CAUDAL en 1ª llama** debe seleccionarse dentro de la zona A del gráfico que hay al margen.

El **CAUDAL en 2ª llama** debe seleccionarse dentro de la zona B. Esta zona proporciona el máximo caudal del quemador en función de la presión que hay en la cámara de combustión.

Atención:

Estos gráficos se han determinado considerando una temperatura ambiente de 20°C y una presión barométrica de 1000 mbar (aprox. 100 metros sobre el nivel del mar) y con el cabezal de combustión regulado como se indica en la página 5.

CALDERA DE PRUEBA (B)

Los gráficos se han obtenido con calderas de prueba especiales, según el método indicado en la norma EN 267.

En la figura (B) se indica el diámetro y longitud de la cámara de combustión de la caldera de prueba.

Ejemplo: Caudal 65 kg/hora:
diámetro = 60 cm; longitud 2 m.

Si el quemador se instala en una caldera comercial con cámara de combustión mucho más pequeña, antes debe realizarse una prueba.

INSTALACIÓN

PLACA DE CALDERA (C)

Taladrar la placa de cierre de la cámara de combustión tal como se indica en (C). Puede marcarse la posición de los orificios roscados utilizando la junta aislante que se suministra con el quemador.

LONGITUD TUBO LLAMA (D)

La longitud del tubo de llama debe seleccionarse de acuerdo con las indicaciones del fabricante de la caldera y, en cualquier caso, debe ser mayor que el espesor de la puerta de la caldera completa, con el material refractario incluido. La longitud, L (mm), disponible es de 370 mm.

Para calderas con pasos de humos delanteros 12) o con cámara de inversión de llama, colocar una protección de material refractario 10) entre el refractario de la caldera 11) y el tubo de llama 9).

Esta protección debe permitir el desplazamiento del tubo de llama.

En calderas con frontal refrigerado por agua, no es necesario el revestimiento refractario 10)-11)(D), salvo que lo indique el fabricante de la caldera.

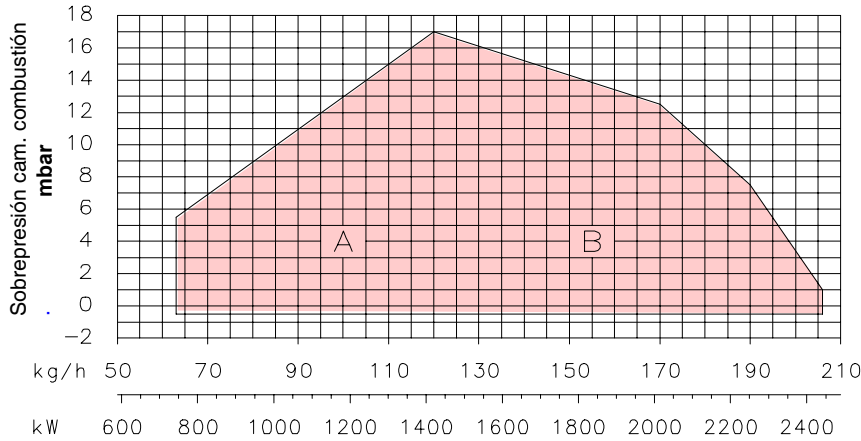
FIJACIÓN DEL QUEMADOR A LA CALDERA (D)

Desmontar el tubo de llama 9) del quemador 6).

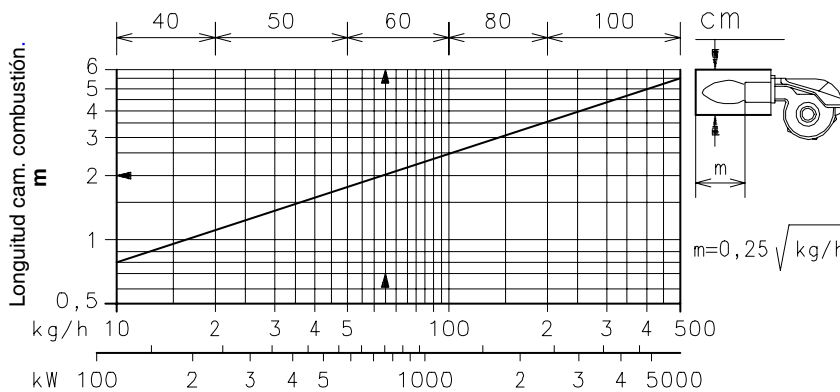
- Aflojar los 4 tornillos 3) y extraer la envolvente 1).
- Sacar los tornillos 2) de las dos guías 5).
- Sacar los dos tornillos 4) que fijan el quemador 6) a la brida 7).
- Extraer el tubo de llama 9) con la brida 7) y las guías 5).

Fijar la brida 7)(D) a la placa de la caldera, intercalando la junta 8)(D) que se suministra. Utilizar los 4 tornillos que se suministran, después de haber protegido la rosca con algún producto antibloqueo.

El acoplamiento del quemador con la caldera debe ser hermético.



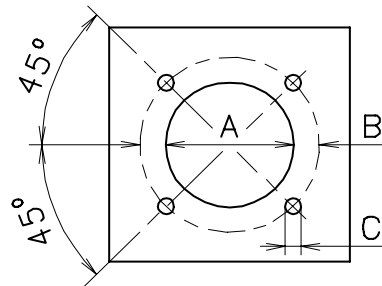
(A)



(B)

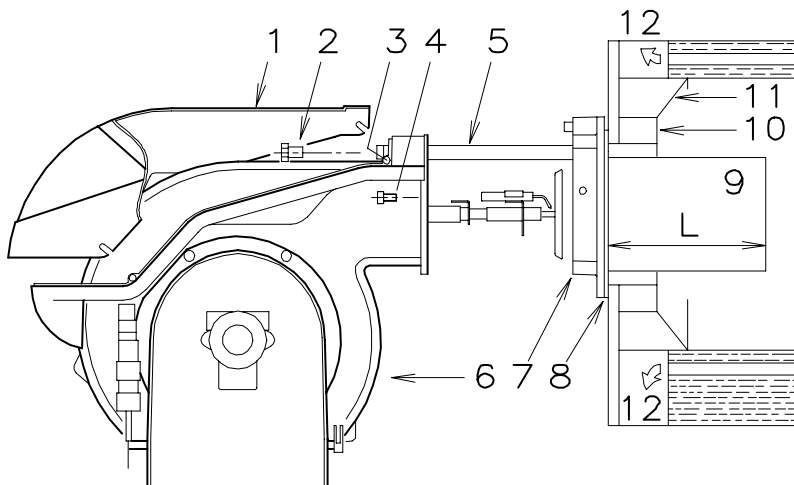
D688

mm	A	B	C
RL 190	230	325-368	M 16



(C)

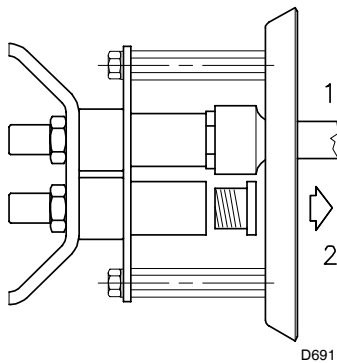
D455



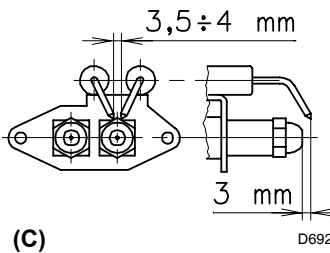
(D)

D1247

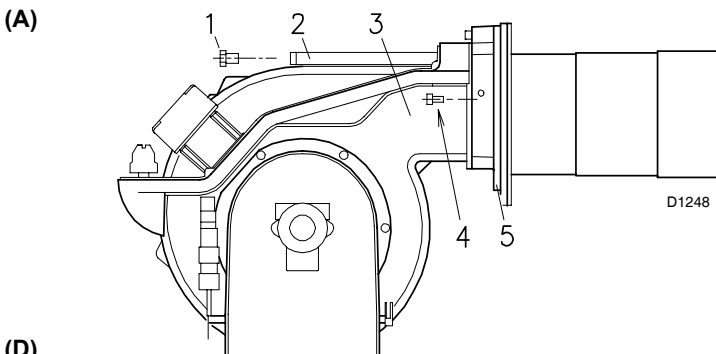
GPH	kg/h			kW
	10 bar	12 bar	14 bar	
10,0	38,4	42,4	46,1	502,9
10,5	40,4	44,6	48,4	529,0
11,0	42,3	46,7	50,7	553,9
12,0	46,1	50,9	55,3	603,7
12,3	47,3	52,2	56,7	619,1
13,0	50,0	55,1	59,9	653,5
13,8	53,1	58,5	63,3	693,8
14,0	53,8	59,4	64,5	704,5
15,0	57,7	63,6	69,2	754,3
15,3	58,8	64,9	70,5	769,7
16,0	61,5	67,9	73,8	805,3
17,0	65,4	72,1	78,4	855,1
17,5	67,3	74,2	80,7	880,0
18,0	69,2	76,4	83,0	906,1
19,0	73,0	80,6	87,6	956,0
19,5	75,0	82,7	89,9	980,9
20,0	76,9	84,8	92,2	1005,8
21,5	82,7	91,2	99,1	1081,7
22,0	84,6	93,3	101,4	1106,6
22,5	86,5	95,5	103,7	1132,6
23,0	88,4	97,6	106,0	1157,5
23,5	90,4	99,7	108,3	1182,4
24,0	92,2	101,8	110,6	1207,3
24,5	94,2	104,0	112,9	1233,5
25,0	96,1	106,0	115,3	1257,2
25,5	98,0	108,2	117,6	1283,2
26,0	99,9	110,3	119,9	1308,2
26,5	101,9	112,4	122,2	1333,1
27,0	103,8	114,5	124,5	1358,0
27,5	105,7	116,7	126,8	1384,1
28,0	107,6	118,8	129,1	1409,0



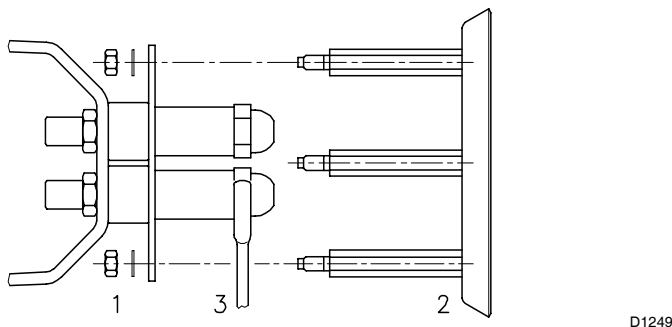
(B)



(C)

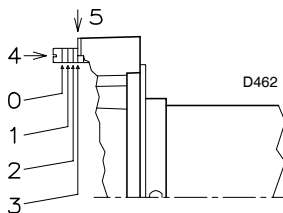


(A)

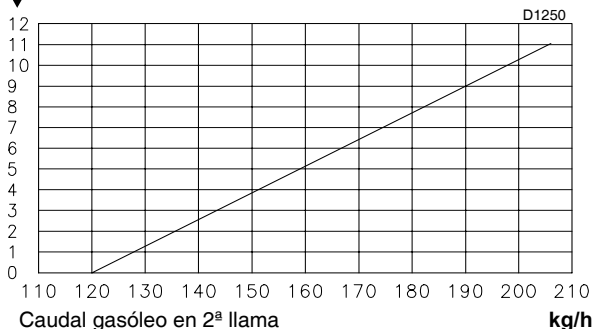


(E)

REGULACIÓN CABEZAL DE COMBUSTIÓN



(F)



(G)

SELECCIÓN BOQUILLAS PARA 1ª Y 2ª LLAMA

Las dos boquillas deben elegirse entre las que figuran en la Tabla (A).

La primera boquilla determina el caudal del quemador en 1ª llama.

La segunda boquilla funciona conjuntamente con la primera y entre las dos determinan el caudal del quemador en 2ª llama.

Los caudales de la 1ª y 2ª llama deben estar comprendidos entre los valores indicados en la pág. 3.

Utilizar preferentemente boquillas con ángulo de pulverización de 60º y presión de 12 bar.

Generalmente, las dos boquillas son del mismo caudal, pero la de 1ª llama puede tener un caudal inferior al 50% del caudal total, cuando se desea reducir un poco la contrapresión en el momento del encendido (el quemador permite buenos valores de combustión incluso con relaciones 40-100% entre la 1ª y la 2ª llama).

Ejemplo

Potencia caldera = 1630 kW - rendimiento 90 %
 Potencia en quemador =
 $1630 : 0,9 = 1812 \text{ kW};$
 $1812 : 2 = 906 \text{ kW por boquilla}$

es decir, se necesitan dos boquillas iguales de 60º y 12 bar de presión:

1º = 18 GPH - 2º = 18 GPH,

o bien dos boquillas diferentes:
 1º = 16 GPH - 2º = 20 GPH.

MONTAJE DE LAS BOQUILLAS

En este punto de la instalación, el quemador está todavía separado del tubo de llama; es, por tanto, posible montar la boquilla con la llave de tubo 1)(B) (de 16 mm) después de haber retirado los tapones de plástico 2)(B), pasando por la abertura central del disco estabilizador de llama. No utilizar productos de estanqueidad, como juntas, cinta o silicona. Tener cuidado en no dañar o rayar el asiento de estanqueidad de la boquilla. El apriete de la boquilla debe ser fuerte, pero sin llegar al par máximo que permita la llave.

La boquilla para la 1ª llama de funcionamiento es la que se halla debajo de los electrodos de encendido, Fig. (C).

Comprobar que los electrodos estén posicionados como se indica en la Fig. (C).

Por último, volver a montar el quemador 3)(D) sobre las guías, desplazándolo hasta la brida 5), manteniéndolo ligeramente levantado para evitar que el disco estabilizador de llama tropiece con el tubo de llama.

Apretar los tornillos 1) de las guías 2) y los tornillos 4) que fijan el quemador a la brida.

Si fuese necesario sustituir una boquilla con el quemador ya instalado en la caldera, proceder del modo siguiente:

- Desplazar el quemador sobre las guías, tal como muestra la Fig. (D)p.5.
- Sacar las tuercas 1)(E) y el disco 2)
- Sustituir la(s) boquilla(s) con la llave 3)(E).

REGULACIÓN DEL CABEZAL DE COMBUSTIÓN

La regulación del cabezal de combustión depende únicamente del caudal de combustible del quemador en 2ª llama, es decir, de la suma de los caudales de las dos boquillas seleccionadas en la Tabla (A).

Girar el tornillo 4)(F) hasta que coincida el número de posición indicado en el gráfico (G) con el plano anterior de la brida 5)(F)

Ejemplo:

RL 190 con dos boquillas de 18 GPH y presión de 12 bar en la bomba.

En la Tabla (A) hallar el caudal de las dos boquillas de 18 GPH.

$76,4 + 76,4 = 152,8 \text{ kg/h.}$

El gráfico (G) indica que para un caudal de 152,8 kg/h, el quemador RL 190 necesita una regulación del cabezal de combustión en la posición 4 aproximadamente, tal como muestra la Fig. (F).

INSTALACIÓN HIDRÁULICA

• ALIMENTACIÓN DE COMBUSTIBLE

Alimentación con dos tubos (A)

El quemador va provisto de una bomba autocebable que es capaz de autoalimentarse, dentro de los límites que figuran en la tabla que hay al margen.

Depósito más elevado que el quemador A

La cota P no debe ser superior a 10 metros para no someter al retén de la bomba a una presión excesiva; y la cota V no debe ser superior a 4 metros para que la bomba pueda autocebarse, incluso con el depósito casi vacío.

Depósito más bajo que el quemador B

No se debe superar una depresión en la bomba de 0,45 bar (35 cm Hg). Con una depresión superior se gasificaría parte del combustible, la bomba haría ruido y se acortaría la vida de la misma.

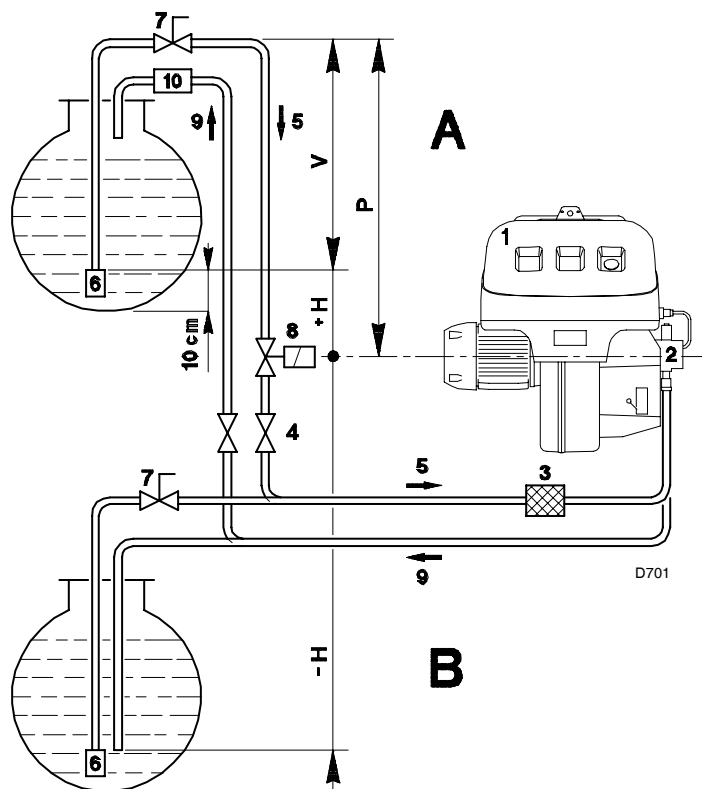
Es aconsejable que el tubo de retorno y el de aspiración entren en el quemador a la misma altura; de este modo es más difícil que se produzca un descebado del tubo de aspiración.

Alimentación en anillo

La alimentación en anillo está formada por un tubo que sale del depósito y retorna a él, con una bomba auxiliar que hace circular el combustible a presión. Una derivación del anillo alimenta al quemador. Este sistema es útil cuando la bomba del quemador no es capaz de autoalimentarse porque la distancia o el desnivel respecto al depósito son superiores a los valores indicados en la Tabla.

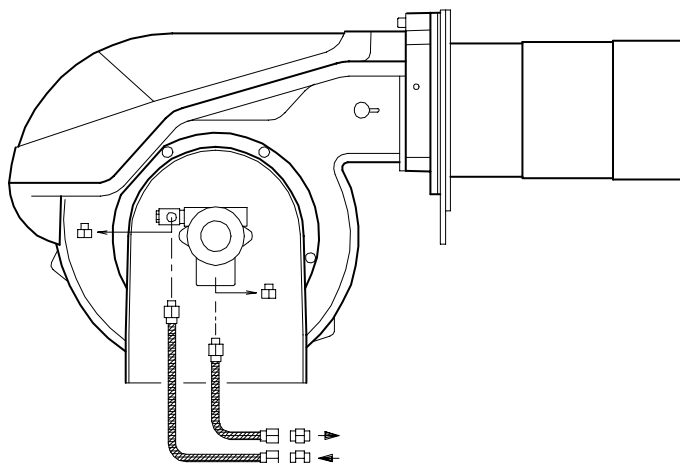
Leyenda

- H = Desnivel bomba-válvula de fondo
- L = Longitud tubería
- Ø = Diámetro interior del tubo
- 1 = Quemador
- 2 = Bomba
- 3 = Filtro
- 4 = Llave de paso
- 5 = Conducto aspiración
- 6 = Válvula de pie
- 7 = Válvula manual de cierre rápido, con mando a distancia (sólo en Italia)
- 8 = Electroválvula de cierre (sólo en Italia)
- 9 = Conducto de retorno
- 10 = Válvula de retención (sólo en Italia)



+ H - H (m)	L (m)		
	Ø (mm)		
	12	14	16
+ 4,0	71	138	150
+ 3,0	62	122	150
+ 2,0	53	106	150
+ 1,0	44	90	150
+ 0,5	40	82	150
0	36	74	137
- 0,5	32	66	123
- 1,0	28	58	109
- 2,0	19	42	81
- 3,0	10	26	53
- 4,0	-	10	25

(A)



(B)

• CONEXIONES HIDRÁULICAS (B)

Las bombas llevan un by-pass que comunica el retorno con la aspiración. Van instaladas en el quemador, con el by-pass cerrado por el tornillo 6)(B)p.11.

Así pues, es necesario conectar los dos conductos a la bomba.

Si hacemos funcionar la bomba con el retorno cerrado y el tornillo del by-pass colocado, se avería inmediatamente.

Retirar los tapones de las conexiones de aspiración y de retorno de la bomba.

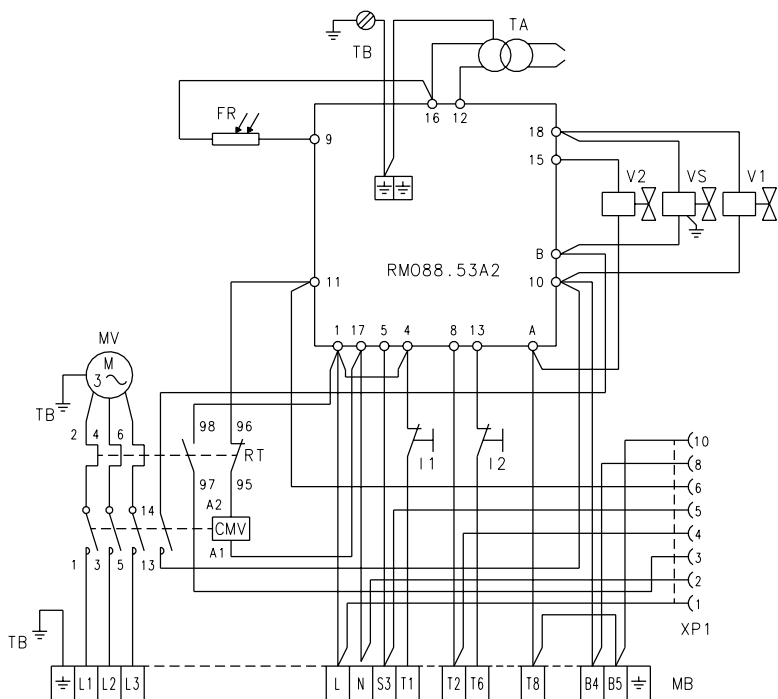
En su lugar roscar los tubos flexibles con las juntas que se suministran.

Al montar los tubos flexibles, éstos no deben someterse a torsiones ni estiramientos.

Colocar los tubos de forma que no puedan ser pisados ni estén en contacto con superficies calientes de la caldera.

Por último, conectar el otro extremo de los tubos flexibles a los conductos de aspiración y de retorno mediante los enlaces que se suministran.

D1244



Legenda esquema (A) - (B)

- CMV -Contactor motor
- FR -Fotorresistencia
- I1 -Interruptor: marcha/paro quemador
- I2 -Interruptor: 1ª - 2ª llama
- MB -Regleta de conexiones quemador
- MV -Motor ventilador
- RM088.53A2 - Aparecchiatura elettrica
- RT -Relé térmico
- TA -Transformador de encendido
- TB -Conexión a tierra quemador
- V1 -Electroválvula 1ª llama
- V2 -Electroválvula 2ª llama
- VS -Electroválvula de seguridad
- XP1 -Conector para STATUS

NOTA

Si fuese necesario tener el dispositivo de rearme a distancia, conectar un pulsador (NA) entre el borne 3 y el Neutro de la caja de control (bornes 15, 16, 17 y 18).

CONEXIONADO ELÉCTRICO

a efectuar por el Instalador
Utilizar cables flexibles según norma EN 60 335-1:

- si revestidos de PVC, usar al menos H05 VV-F
- si revestidos de goma, usar al menos H05 RR-F.

Todos los cables que vayan conectados a la regleta 8)(B) del quemador, deben canalizarse a través de pasacables.

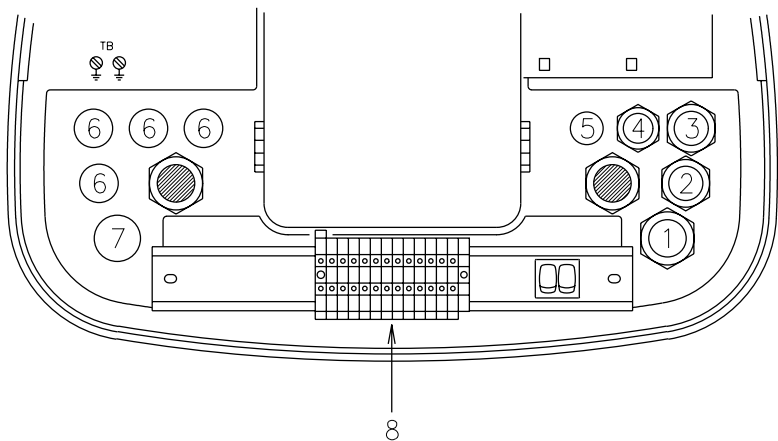
Los pasacables pueden utilizarse de varias maneras; a modo de ejemplo, indicamos la forma siguiente:

- 1- Pg 13,5 alimentación trifásica
- 2- Pg 11 alimentación monofásica
- 3- Pg 11 termostato TL
- 4- Pg 9 termostato TR
- 5- Pg 9 preparado para prensaestopas
- 6- Pg 11 preparado para prensaestopas
- 7- Pg 13,5 preparado para prensaestopas

(A)

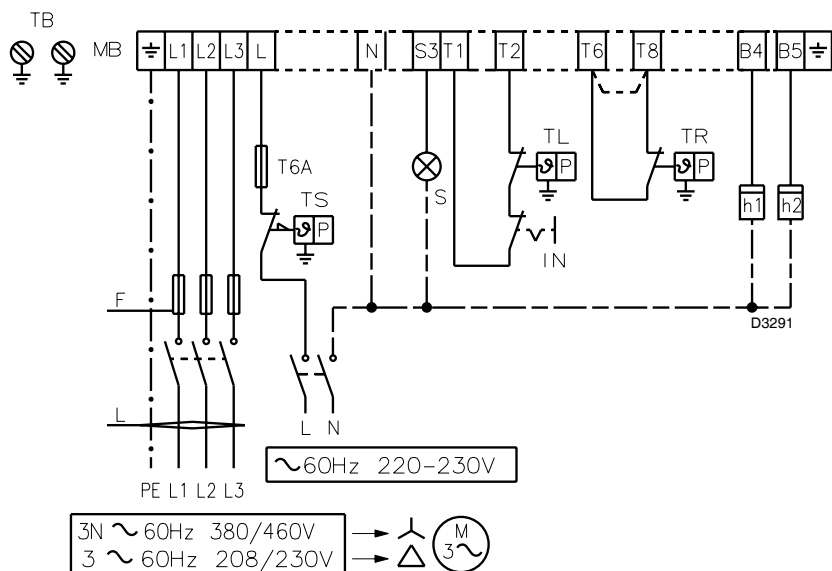
D3229

CONEXIONADO ELÉCTRICO



(B)

D3312



ESQUEMA (A)
Conexión eléctrica RL 190
Alimentación trifásica 230/400 V con Neutro

Fusibles y sección cables esquema (A), ver Tabla.

Leyenda esquemas (A)

- h1 - Cuentahoras de 1º llama
- h2 - Cuentahoras de 2º llama
- IN - Interruptor paro manual quemador
- MB - Regleta conexiones quemador
- S - Señalización de bloqueo a distancia
- TB - Conexión a tierra quemador
- TL - Termostato de regulación máxima: provoca el paro del quemador cuando la temperatura en caldera supera el valor preestablecido.
- TR - Termostato de regulación: manda la 1ª y 2ª llama de funcionamiento. Sólo es necesario en el funcionamiento a dos llamas.
- TS - Termostato de seguridad: actúa en caso de avería TL.

Atención: el quemador sale de fábrica preparado para el funcionamiento billama y debe, por tanto, conectarse el termostato TR que manda la electroválvula V2 del gasóleo.

En cambio, si se desea que funcione a mono-llama, sustituir el termostato TR por un puente entre los bornes 5 y 6 de la regleta de conexiones.

El quemador RL 190 ha sido homologado para funcionar de nodo intermitente. Ello significa que debe pararse "por Norma" al menos una vez cada 24 horas para permitir que la caja de control efectúe una verificación de la eficacia al arranque. Normalmente, el paro del quemador está asegurado por el termostato de la caldera. Si no fuese así, debería colocarse en serie con el interruptor IN, un interruptor horario que parase el quemador al menos una vez cada 24 horas.

		RL 190	
		208-230 V	380-460 V
F	A gG/gL	25	16
	A aM	20	12
L	mm ²	2,5	2,5

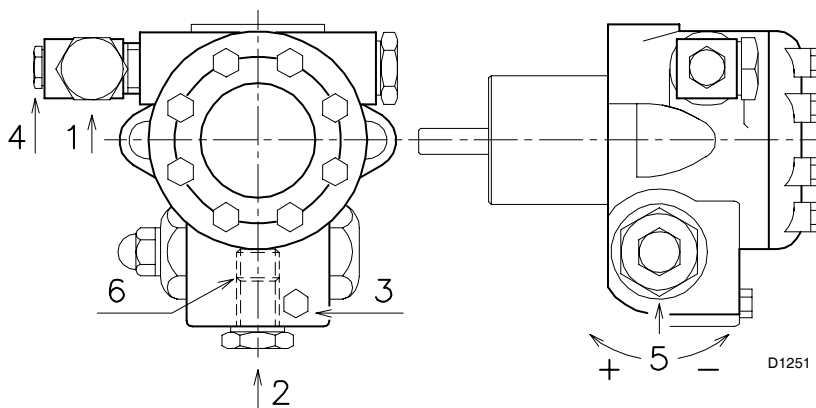
(A)

Modelo	Regulación relé térmico
RL 190 - 220 V	16 A
RL 190 - 380 V	9.5 A

ATENCIÓN: No invertir Neutro con Fase en la línea de alimentación eléctrica.

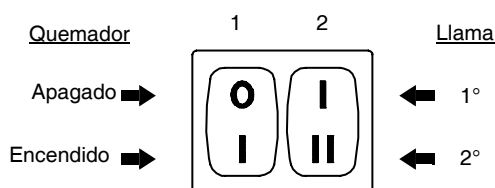
(B)

**BOMBA
SUNTEC J7 C**



		J7 C
A	kg/h	230
B	bar	10 - 21
C	bar	0,45
D	cSt	2,8 - 200
E	°C	90
F	bar	1,5
G	bar	12
H	mm	0,170

(A)



(B)

D469

BOMBA (A)

- 1 - Aspiración G 1/2"
- 2 - Retorno G 1/2"
- 3 - Conexión manómetro G 1/8"
- 4 - Conexión vacuómetro G 1/8"
- 5 - Regulación presión
- 6 - Tornillo by-pass

- A - Caudal mínimo a 12 bar de presión
- B - Campo de regulación presión de salida
- C - Depresión máxima en aspiración
- D - Campo de viscosidad
- E - Temperatura máxima gasóleo
- F - Presión máx. en aspiración y retorno
- G - Regulación de la presión en fábrica
- H - Ancho malla filtro

CEBADO DE LA BOMBA

- **Antes de poner en funcionamiento el quemador, asegurarse de que el tubo de retorno del depósito no está obstruido, lo cual provocaría la rotura del retén del eje de la bomba.** (La bomba sale de fábrica con la válvula de by-pass cerrada).
- A fin de que la bomba pueda autocebarse, es indispensable aflojar el tornillo 3)(A) de la bomba para purgar el aire que pueda haber en el tubo de aspiración.
- Poner en marcha el quemador cerrando los termostatos y con el interruptor 1)(A) en la posición "MARCHA". La bomba debe girar en el sentido de la flecha que hay marcada en la cubierta.
- Cuando el gasóleo sale por el tornillo 3), es indicativo de que la bomba está cebada. Parar el quemador: interruptor 1)(B) en posición "PARO" y apretar el tornillo 3).

El tiempo que se necesita para esta operación depende del diámetro y de la longitud del tubo de aspiración. Si la bomba no se ceba en el primer arranque y el quemador se bloquea, esperar unos 15 segundos, rearmar y repetir la operación de arranque tantas veces como sea necesario. Cada 5 ó 6 arranques, esperar 2 ó 3 minutos para que se enfríe el transformador.

No iluminar la resistencia para evitar que se bloquee el quemador; de todos modos, el quemador se bloqueará al cabo de unos 10 segundos del arranque.

Atención: la operación indicada anteriormente es posible porque la bomba sale de fábrica llena de combustible. Si se ha vaciado la bomba, llenarla de combustible por el tapón del vacuómetro antes de ponerla en marcha, para evitar que se bloquee.

Cuando el tubo de aspiración tiene más de 20-30 metros de largo, rellenar el conducto con una bomba independiente.

REGULACIÓN DEL QUEMADOR

ENCENDIDO

Situar el interruptor 1)(B) en la posición "MARCHA".

En el primer encendido, o en el momento de pasar de 1ª a 2ª llama, se produce una disminución momentánea de la presión del combustible como consecuencia de llenarse el tubo que alimenta la 2ª boquilla. Esta bajada de presión puede provocar el paro del quemador, acompañado, a veces, de pulsaciones.

Una vez efectuadas las regulaciones que se describen a continuación, el encendido del quemador debe producir un ruido similar al de funcionamiento. Si se advierten una o más pulsaciones, o un retardo en el encendido respecto a la apertura de la electroválvula del gasóleo, ver los consejos que se indican en la pág. 14: causas 34 ÷ 39.

FUNCIONAMIENTO

Par lograr un reglaje óptimo del quemador, es necesario efectuar un análisis de combustión a la salida de la caldera y actuar sobre los siguientes elementos.

- **Boquillas de 1ª y 2ª llama**
Ver lo indicado en la pág. 5.

- **Cabezal de combustión**

La regulación del cabezal que ya se ha efectuado, no necesita modificación si no se ha variado el caudal del quemador en 2ª llama.

- **Presión bomba**

12 bar: es la presión regulada en fábrica y la que, normalmente, se debe utilizar. A veces, puede ser necesario regularla a:

10 bar para reducir el caudal de combustible. Es posible sólo si la temperatura ambiente permanece por encima de los 0°C. No bajar nunca de 10 bar, ya que el hidráulico del aire podría abrirse con dificultad;

14 bar para aumentar el caudal de combustible o para que el quemador se encienda bien incluso a temperaturas inferiores a 0 °C.

Para variar la presión de la bomba, usar el tornillo 5)(A)p. 9.

- **Registro ventilador - 1ª llama**

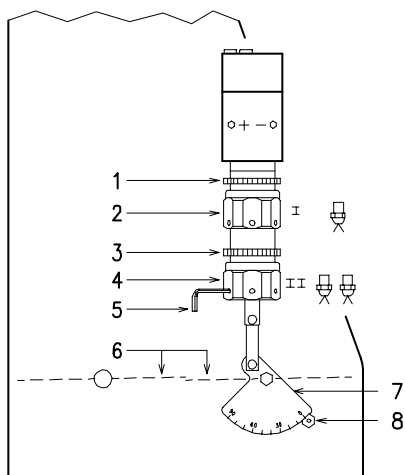
Mantener el quemador funcionando en 1ª llama, situando el interruptor (2)(B) en la posición 1ª llama. La abertura del registro 6)(A) debe ser proporcional a la boquilla elegida: el índice 8)(A) debe corresponderse con el número de posición que se indica en el sector graduado 7)(A). El reglaje se efectúa girando el hexágono 2)(A):

- hacia la derecha (signo -), la abertura disminuye;
- hacia la izquierda (signo +), la abertura aumenta.

- **Registro ventilador - 2ª llama**

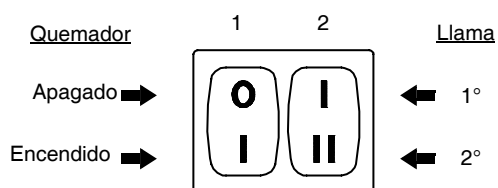
Situar el interruptor 2)(B) en posición 2ª llama y regular el registro 6)(A) actuando sobre el hexágono 4)(A), después de haber aflojado la contratuerca 3)(A).

NOTA: Para facilitar la regulación de los hexágonos 2) y 4)(A), utilizar una llave hexagonal de 3 mm 5)(A).



(A)

D1252



(B)

D469

FUNCIONAMIENTO DEL QUEMADOR

PUESTA EN MARCHA DEL QUEMADOR (A) - (B)

Fases de puesta en marcha con los tiempos progresivos en segundos:

- Se cierra el termostato TL.
- Después de alrededor de 3 s:
- **0 s** : Inicia el programa la caja de control.
- **2 s** : Se pone en marcha el motor ventilador.
- **3 s** : Se conecta el transformador de encendido.

La bomba 3) aspira el combustible del depósito a través del conducto 1) y del filtro 2) y lo bombea a presión. El pistón 4) se desplaza y el combustible regresa al depósito a través de los conductos 5) y 7). El tornillo 6) cierra el bypass hacia la aspiración y las electroválvulas 8), 11) y 16), desactivadas, cierran el paso hacia las boquillas.

El hidráulico del aire 15), pistón A, abre el registro de aire y efectúa la preventilación con el caudal de aire de 1ª llama.

- **22 s** : Se abren las electroválvulas 16) y 8); el combustible pasa por el conducto 9) y el filtro 10), sale pulverizado por la boquilla y, al entrar en contacto con la chispa, se enciende la 1ª llama.
 - **29 s** : Se apaga el transformador de encendido.
 - **36 s** : Si el termostato TR está cerrado o ha sido sustituido por un puente, la electroválvula 11) de 2ª llama, activada, abre dos vías: una hacia el conducto 12), el filtro 13) y la boquilla de 2ª llama; y la otra hacia el hidráulico del aire 15), pistón B, que abre el registro de aire del ventilador en 2ª llama.
- Finaliza el ciclo de puesta en marcha.

FUNCIONAMIENTO A RÉGIMEN

Instalación con termostato TR

Finalizado el ciclo de puesta en marcha, el mando de la electroválvula de 2ª llama pasa al termostato TR, que controla la presión o la temperatura en caldera.

- Cuando la temperatura o la presión aumenta hasta la apertura del termostato TR, la electroválvula 11) se cierra y el quemador pasa de 2ª a 1ª llama.
 - Cuando la temperatura o la presión disminuye hasta el cierre del termostato TR, la electroválvula 11) se abre y el quemador pasa de 1ª a 2ª llama.
- y así sucesivamente.

- El paro del quemador se produce cuando las necesidades de calor son menores que las generadas por el quemador en 1ª llama. El termostato TL se abre, las electroválvulas 8) y 16) se cierran y la llama se apaga repentinamente. El registro del aire del ventilador se cierra completamente.

Instalación sin termostato TR, sustituido por un puente

La puesta en marcha del quemador se hace del modo indicado anteriormente. Posteriormente, si la temperatura o la presión aumenta hasta la apertura del termostato TL, el quemador se apaga (segmento A-A del gráfico).

En el momento de desactivarse la electroválvula 11), el combustible que hay en el hidráulico del aire 15), pistón B, se descarga a través de la boquilla.

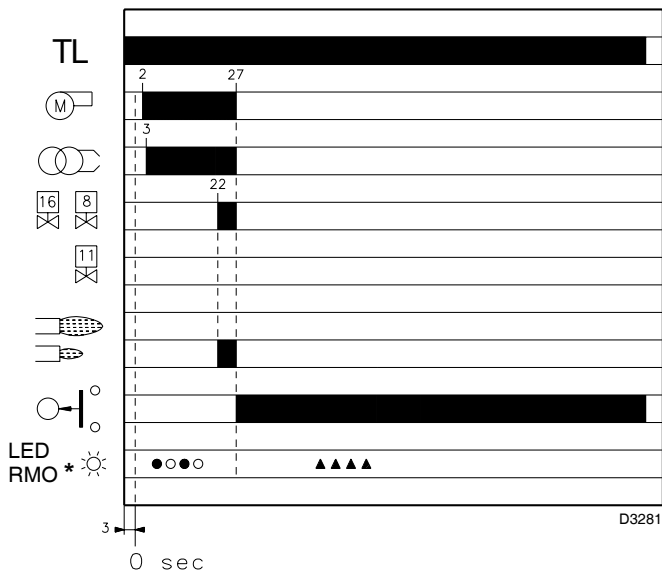
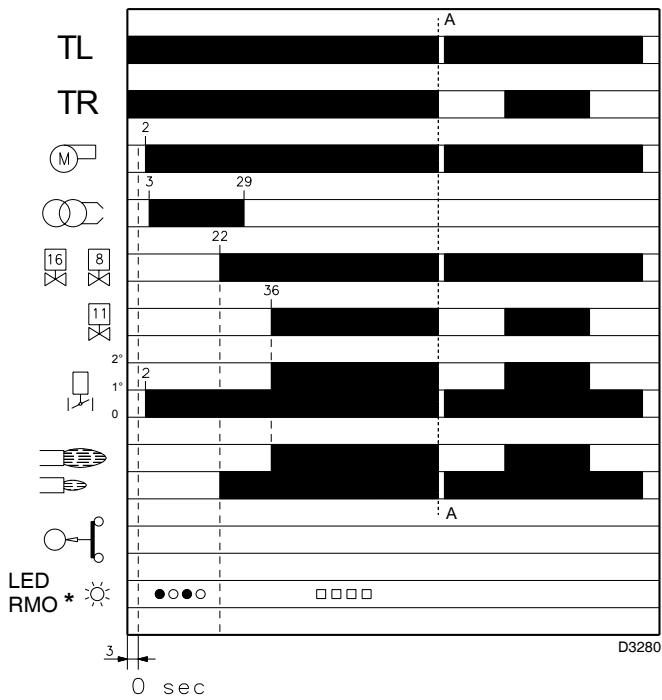
FALTA DE ENCENDIDO

Si el quemador no se enciende, se produce el bloqueo del mismo en un tiempo máximo de 5 segundos desde la apertura de la electroválvula de la 1ª boquilla y 30 segundos después del cierre del termostato TL.

El piloto de la caja de control se ilumina.

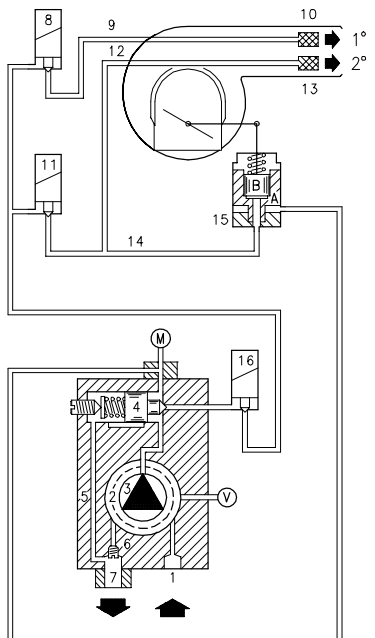
APAGADO DE LA LLAMA DURANTE EL FUNCIONAMIENTO

Si la llama se apaga durante el funcionamiento del quemador, éste se bloquea en 1 segundo y efectúa un intento de ponerse en marcha, repitiendo el ciclo de arranque.



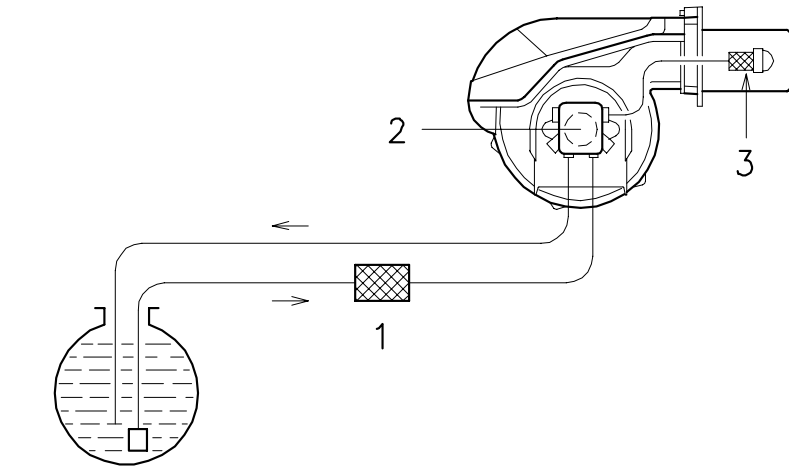
- *
 ○ Apagado ● Amarillo □ Verde ▲ Rojo
 Para mayores informaciones, véase la pág. 13.

(A)



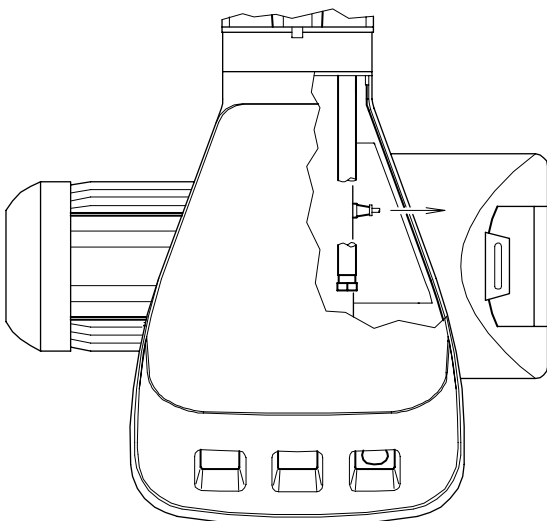
(B)

D1253

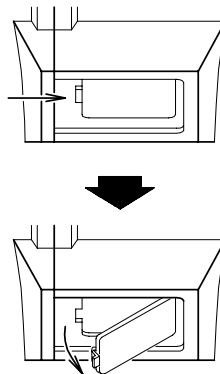


(A)

D707



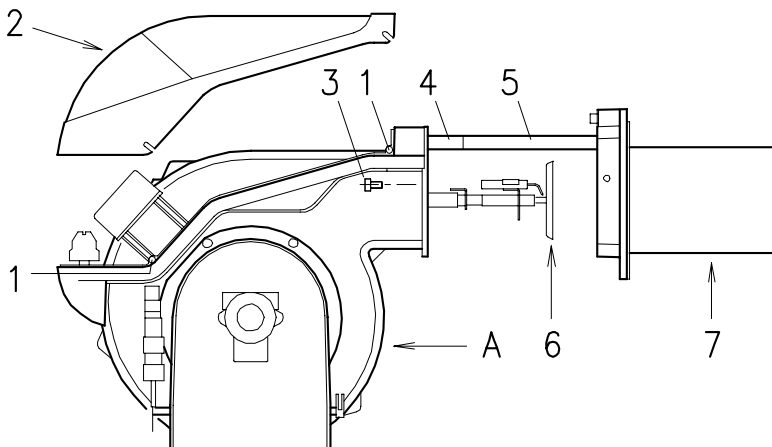
D1254



D709

(B)

(C)



(D)

D1255

CONTROL FINAL

- **Obscurecer la fotorresistencia y cerrar los termostatos:** el quemador debe arrancar y luego bloquearse a unos 5 segundos aproximadamente de la abertura de la válvula de 1ª llama
- **Iluminar la fotorresistencia y cerrar los termostatos:** el quemador debe arrancar y, al cabo de unos 10 segundos, bloquearse.
- **Obscurecer la fotorresistencia con el quemador funcionando en 2ª llama y debe suceder lo siguiente en secuencia:** apagado de la llama en 1 segundo, ventilación durante 20±28 segundos, chispa durante unos 5 segundos y bloqueo del quemador.
- **Abrir el termostato TL y luego el TS, con el quemador funcionando:** el quemador debe pararse.

MANTENIMIENTO

Combustión: Efectuar el análisis de los gases de combustión que salen de la caldera. Las diferencias significativas respecto al último análisis indicarán los puntos donde deberán centrarse las operaciones de mantenimiento.

Bomba: La presión de impulsión de la bomba debe ser estable a 12 bar.

La depresión debe ser inferior a 0,45 bar.

El ruido de la bomba no debe ser perceptible.

En caso de presión inestable o si la bomba hace ruido, desconectar el tubo flexible del filtro de línea y aspirar el combustible de un depósito situado cerca del quemador. Esta medida de precaución permite determinar si la causa de la anomalía es el tubo de aspiración o la bomba.

Si es la bomba, comprobar que su filtro no esté sucio. En efecto, como el vacuómetro está instalado antes del filtro, no muestra el estado de suciedad.

En cambio, si la causa de la anomalía está en el conducto de aspiración, comprobar que el filtro de línea no esté sucio o que entre aire en el conducto.

Filtros (A)

Comprobar los cartuchos filtrantes:

- de línea 1) • de la bomba 2) • de la boquilla 3), limpiarlos o sustituirlos.

Si en el interior de la bomba se aprecia oxidación u otras impurezas, aspirar del fondo del depósito con una bomba independiente, el agua y los lodos que eventualmente se hayan depositado.

Ventilador: Verificar que no se haya acumulado polvo en el interior del ventilador ni en las palas de la turbina: reduce el caudal de aire, provocando una combustión defectuosa.

Cabezal de combustión: Verificar que todas las partes del cabezal estén intactas, no estén deformadas por las altas temperaturas, no tengan suciedad proveniente del ambiente y estén correctamente posicionadas

Boquillas No intentar limpiar el orificio de las boquillas. Sustituir las boquillas cada 2 ó 3 años, o cuando sea necesario. Cuando se sustituyan, debe efectuarse un análisis de combustión.

Fotorresistencia (B)

Limpiar el polvo depositado en el cristal. Para extraer la fotorresistencia 1), tirar hacia afuera.

Visor llama (C)

Limpiar el cristal.

Tubos flexibles

Comprobar que estén en buenas condiciones.

Depósito de combustible: Cada 5 años, aproximadamente, aspirar el agua del fondo del depósito con una bomba independiente.

Caldera: Limpiar la caldera de acuerdo con las instrucciones que la acompañan, con el fin de poder mantener intactas las características de combustión originales, en especial la presión en la cámara de combustión y la temperatura de los humos.

PARA ABRIR EL QUEMADOR (D)

- Interrumpir la alimentación eléctrica
- Aflojar los tornillos 1) y extraer la envolvente 2)
- Desenroscar los tornillos 3)
- Montar los 2 prolongadores 4) que se suministran con las guías 5)
- Desplazar la parte A, manteniéndola ligeramente levantada para no dañar el disco estabilizador 6) del tubo de llama 7).

DIAGNÓSTICO DEL PROGRAMA DE PUESTA EN MARCHA

Durante el programa de puesta en marcha, en la siguiente tabla se indican las explicaciones:

TABLA CÓDIGO COLOR	
Secuencias	Código color
Preventilación	● ○ ● ○ ● ○ ● ○ ●
Etapa de encendido	● ○ ● ○ ● ○ ● ○ ●
Funcionamiento con llama ok	□ □ □ □ □ □ □ □ □
Funcionamiento con señal de llama débil	□ ○ □ ○ □ ○ □ ○ □
Alimentación eléctrica inferior que ~ 170V	● ▲ ● ▲ ● ▲ ● ▲ ●
Bloqueo	▲ ▲ ▲ ▲ ▲ ▲ ▲ ▲ ▲
Luz extraña	▲ □ ▲ □ ▲ □ ▲ □ ▲
Legenda:	○ Apagado ● Amarillo □ Verde ▲ Rojo

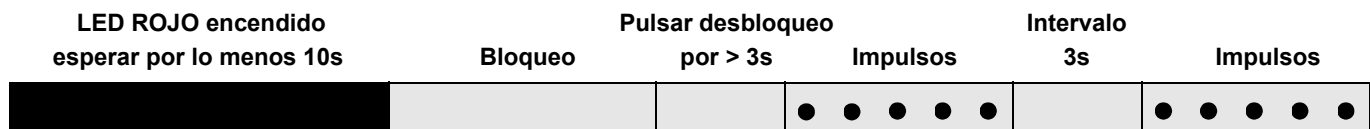
DESBLOQUEO DE LA CAJA DE CONTROL Y USO DE LA FUNCIÓN DE DIAGNÓSTICO

La caja de control suministrada tiene una función de diagnóstico con la que es posible individualizar fácilmente las posibles causas de un problema de funcionamiento (señalización: **LED ROJO**).

Para utilizar dicha función hay que esperar 10 segundos como mínimo desde el momento de la puesta en condición de seguridad (**bloqueo**), y luego oprimir el botón de desbloqueo.

La caja de control genera una secuencia de impulsos (cada 1 segundo) que se repite a intervalos constantes de 3 segundos.

Una vez visualizado el número de parpadeos e identificada la posible causa, hay que restablecer el sistema, manteniendo apretado el botón durante un tiempo comprendido entre 1 y 3 segundos.



A continuación se mencionan los métodos posibles para desbloquear la caja de control y para usar la función de diagnóstico.

DESBLOQUEO DE LA CAJA DE CONTROL

Para desbloquear la caja de control, proceda de la siguiente manera:

- Oprima el botón durante un tiempo comprendido entre 1 y 3 segundos.
El quemador arranca después de 2 segundos de haber soltado el botón.
Si el quemador no arranca, hay que controlar el cierre del termostato límite.

DIAGNÓSTICO VISUAL

Indica el tipo de desperfecto del quemador que produce el bloqueo.

Para ver el diagnóstico, proceda de la siguiente manera:

- Mantenga apretado el botón durante más de 3 segundos desde el momento en que el led rojo se encendió (bloqueo del quemador).
El final de la operación será indicado por un parpadeo amarillo.
Suelte el botón cuando se produzca dicho parpadeo. El número de parpadeos indica la causa del problema de funcionamiento, según el código que se indica en la tabla de la página 14.

DIAGNÓSTICO SOFTWARE

Suministra el análisis de la vida del quemador mediante una conexión óptica al PC, indicando las horas de funcionamiento, número y tipos de bloqueos, número de serie de la caja de control, etc.

Para ver el diagnóstico, proceda de la siguiente manera:

- Mantenga apretado el botón durante más de 3 segundos desde el momento en que el led rojo se encendió (bloqueo del quemador).
El final de la operación será indicado por un parpadeo amarillo.
Suelte el botón durante 1 segundo y luego oprímalo de nuevo durante más de 3 segundos hasta que se produzca otro parpadeo amarillo.
Al soltar el botón, el led rojo parpadeará intermitentemente con una frecuencia elevada: sólo en este momento se podrá conectar la conexión óptica.

Al concluir la operación hay que restablecer las condiciones iniciales de la caja de control, siguiendo los pasos de desbloqueo antedichos.

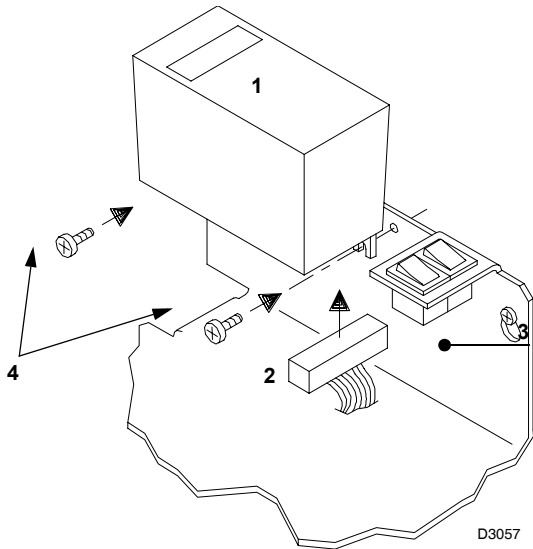
PRESIÓN DEL BOTÓN	ESTADO DE LA CAJA DE CONTROL
De 1 a 3 segundos	Desbloqueo de la caja de control sin visualización del diagnóstico visual.
Más de 3 segundos	Diagnóstico visual de la condición de bloqueo: (el led parpadea cada 1 segundo).
Más de 3 segundos desde la condición de diagnóstico visual	Diagnóstico software mediante la ayuda de la interfaz óptica y PC (posibilidad de visualizar las horas de funcionamiento, desperfectos, etc.)

La secuencia de los impulsos emitidos por la caja de control identifica los posibles tipos de avería que se mencionan en la página 14.

SEGNAL	ANOMALÍA	CAUSA PROBABLE	SOLUCIÓN
Ningún parpadeo	El quemador no se pone en marcha	1 - No hay suministro eléctrico 2 - Termostato de regulación máxima TL abierto 3 - Termostato de seguridad TS abierto 4 - Bloqueo caja de control 5 - Bloqueo bomba 6 - Conexión eléctrico incorrecto 7 - Caja de control defectuosa 8 - Motor eléctrico defectuoso	Cerrar los interruptores; verificar los fusibles Regularlo o sustituirlo Regularlo o sustituirlo Desbloquearla (10 seg. después del bloqueo) Sustituirla Verificarlo Sustituirla Sustituirlo
2 impulsos ● ●	Superado el prebarrido y el tiempo de seguridad, el quemador se bloquea sin aparece la llama	9 - Falta combustible en el depósito o hay agua en el fondo 10 - Cabezal y registro de aire mal regulados 11 - Electroválvulas gasóleo no abren (1ª llama o seguridad) 12 - Boquilla 1ª llama obturada, sucia o deformada 13 - Electrodo de encendido mal regulados o sucios 14 - Electrodo a masa por aislante roto 15 - Cable alta tensión defectuoso o a masa 16 - Cable alta tensión deformado por alta temperatura 17 - Transformador de encendido defectuoso 18 - Conex. eléctrico válvulas o transformador incorrecto 19 - Caja de control defectuosa 20 - Bomba descebada 21 - Acoplamiento motor-bomba roto 22 - Aspiración bomba conectada al tubo de retorno 23 - Válvulas antes de la bomba cerradas 24 - Filtros sucios (de línea -de bomba -de boquilla) 25 - Fotorresistencia o caja de control defectuosa 26 - Fotorresistencia sucia 27 - 1ª llama del hidráulico defectuosa 28 - Bloqueo motor 29 - Interruptor mando motor defectuoso 30 - Alimentación eléctrica a dos fases actúa el relé térmico 31 - Motor gira en sentido contrario	Rellenar de combustible o aspirar el agua Regularlos; ver pág. 5 y 10 Comprobar conexiones; sustituir bobina Sustituirla Regularlos o limpiarlos Sustituirlo Sustituirlo Sustituirlo y protegerlo Sustituirlo Comprobarlo Sustituirla Cegar la bomba" Sustituirlo Corregir conexión Abrirlas Limpiarlos Sustituir fotorresistencia o caja de control Limpiarla Sustituir hidráulico Desbloquear el relé térmico Sustituirlo Desbloquear el relé térmico cuando vuelva la tercera fase Cambiar el conexionado eléctrico del motor
4 impulsos ● ● ● ●	El quemador se pone en marcha y luego se bloquea	32 - Fotorresistencia en cortocircuito 33 - Luz externa o simulación de llama	Sustituir la fotorresistencia Eliminar luz o sustituir caja de control
7 impulsos ● ● ● ● ● ● ●	Desprendimiento llama	34 - Cabezal mal regulado 35 - Electrodo de encendido mal regulados o sucios 36 - Registro ventilador mal regulado: demasiado aire 37 - 1ª boquilla demasiado grande (pulsaciones) 38 - 1ª boquilla pequeña (desprendimiento llama) 39 - 1ª boquilla sucia o deformada 40 - Presión bomba inadecuada 41 - Boquilla 1ª llama inadecuada para quemador o caldera 42 - Boquilla 1ª llama defectuosa	Regularlo; ver pág. 5 Fig. (F) Regularlos; ver pág. 5 Fig. (B) o limpiarlos Regularlo Reducir el caudal de la 1ª boquilla Aumentar el caudal de la 1ª boquilla Sustituirla Regularla Ver Tabla boquillas, p.5; reducir boq. 1ª llama Sustituirla
	El quemador no pasa a 2ª llama	43 - Termostato TR no cierra 44 - Caja de control defectuosa 45 - Bobina electroválvula 2ª llama defectuosa	Regularlo o sustituirlo Sustituirla Sustituirla
	El combustible pasa a 2ª llama y el aire se queda en la 1ª llama.	46 - Presión bomba es baja 47 - 2ª llama del hidráulico defectuosa	Aumentarla Sustituir hidráulico
	El quemador se para al pasar de 1ª a 2ª llama y de 2ª a 1ª. El quemador repite el ciclo de arranque.	48 - Boquilla sucia 49 - Fotorresistencia sucia 50 - Demasiado aire	Sustituirla Limpiarla Reducirlo
	Alimentación de combustible irregular	51 - Comprobar si la causa está en la bomba o en la instalación de alimentación de combustible	Alimentar el quemador desde un depósito situado cerca del quemador
	La bomba está oxidada interiormente	52 - Agua en el depósito	Aspirarla del fondo depósito con una bomba
	La bomba hace ruido; presión pulsante	53 - Entrada de aire en el tubo de aspiración - Depresión demasiado alta (superior a 35 cm Hg): 54 - Desnivel quemador-depósito demasiado grande 55 - Diámetro tubo demasiado pequeño 56 - Filtros en aspiración sucios 57 - Válvulas en aspiración cerradas 58 - Solidificación parafina por baja temperatura	Apretar los rácores Alimentar el quemador con circuito en anillo Aumentarlo Limpiarlos Abrirlas Añadir aditivo al gasóleo
	La bomba está descebada después de un paro prolongado	59 - Tubo de retorno no inmerso en el combustible 60 - Entrada de aire en el tubo de aspiración	Situarlo a misma altura que tubo de aspiración Apretar los rácores
	La bomba pierde gasóleo	61 - Fuga por el retén	Sustituir bomba
	Llama con humo - Bacharach oscuro	62 - Poco aire 63 - Boquilla sucia o desgastada 64 - Filtro boquilla sucio 65 - Presión bomba incorrecta 66 - Espiral estabilizador llama sucia, floja o deformada 67 - Abertura ventilación sala caldera insuficiente 68 - Demasiado aire	Regular cabezal y registro ventilador; pág.5 y 10. Sustituirla Limpiarlo o sustituirlo Regularla: entre 10 y 14 bar Limpiarla, apretarla o sustituirla Agrandarla Regular cabezal y registro ventilador; pág. 5 y 10
	- Bacharach amarillo		
	Cabezal de combustión sucio	69 - Boquilla u orificio boquilla sucio 70 - Ángulo o caudal boquilla inadecuado 71 - Boquilla floja 72 - Impurezas del ambiente en espiral estabilizador 73 - Regulación cabezal incorrecta o poco aire 74 - Longitud tubo de llama inadecuado para la caldera	Sustituirla Ver boquillas recomendadas Apretarla Limpiarla Regularla; ver pág.10; abrir registro del aire Consultar con el fabricante de la caldera
10 impulsos ● ● ● ● ● ● ● ● ● ●	El quemador se bloquea	75 - Error de conexión o avería interna 76 - Presencia de perturbaciones electromagnéticas	Utilizar el kit protección contra las interferencias radio

STATUS (suministro bajo demanda)

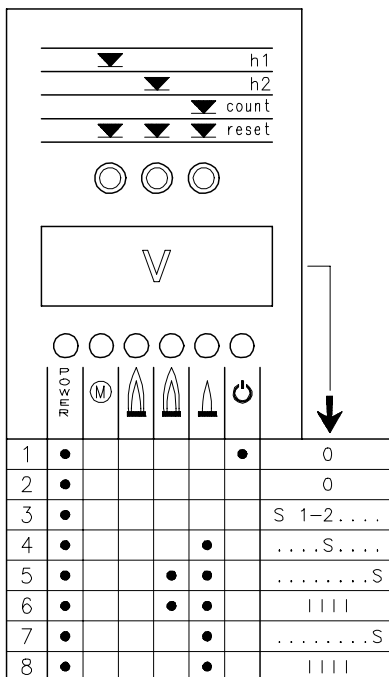
Montaje



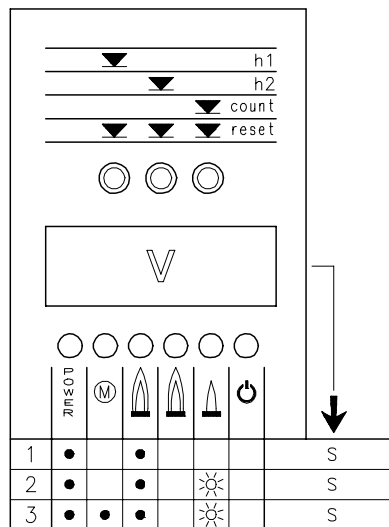
- 1 Status
- 2 Conector
- 3 Ménsula del quemador
- 4 Tornillos de fijación

D3057

A



B



D477

- ☀ = LED intermitente
- = LED encendido
- S = Tiempo en segundos
- |||| = La etapa de arranque ha concluido

STATUS

Accesorio suministro bajo demanda.
Ver página 2.

MONTAJE

Los quemadores están preparados para montar el Status. Para el montaje, proceda de la siguiente manera:

- Conecte el Status 1) mediante el conector 2) que se encuentra en la ménsula 3).

-Fije el Status a la ménsula con los tornillos 4) entregados con el kit.

El STATUS cumple tres funciones:

1 - LA PANTALLA V INDICA LAS HORAS DE FUNCIONAMIENTO Y EL NÚMERO DE ARRANQUES DEL QUEMADOR

Total horas de funcionamiento

Pulsar el botón "h1".

Horas de funcionamiento en 2ª llama

Pulsar el botón "h2".

Horas de funcionamiento en 1ª llama (calculadas)

Total horas - horas en 2ª llama.

Número de encendidos

Pulsar el botón "count".

Puesta a cero horas de funcionamiento y nº de encendidos

Pulsar los 3 botones (de rearme) "reset" a la vez.

Memoria permanente

Las horas de funcionamiento y el nº de encendidos permanecen en la memoria incluso si se interrumpe la alimentación eléctrica.

2 - INDICA LOS TIEMPOS RELATIVOS A LA FASE DE ARRANQUE

Los LEDs se iluminan con la secuencia siguiente; ver Fig. A:

CON EL TERMOSTATO TR CERRADO:

Quemador apagado, termostato TL abierto

2 - Cierre termostato TL

3 - Arranque motor:

inicia la cuenta en segundos en la pantalla V

4 - Activación válvula 1ª llama

5 - Activación válvula 2ª llama

termina la cuenta en segundos en la pantalla V

6 - A los 10 segundos de la etapa 5, aparece en pantalla el código |||| : esto indica que la fase de arranque ha terminado.

CON EL TERMOSTATO TR ABIERTO:

1 - Quemador apagado, termostato TL abierto

2 - Cierre termostato TL

3 - Arranque motor:

inicia la cuenta en segundos en la pantalla V

4 - Activación válvula 1ª llama

7 - A los 30 segundos de la etapa 4:

termina la cuenta en segundos en la pantalla V

8 - A los 10 segundos de la etapa 7, aparece en pantalla el código |||| : esto indica que la fase de arranque ha terminado.

Los tiempos en segundos que aparecen en la pantalla V indican la sucesión de las distintas fases de arranque que se describen en la página 11.

3 - EN CASO DE AVERÍA DEL QUEMADOR, INDICA EL MOMENTO EXACTO EN QUE OCURRIÓ LA ANOMALIA

Existen 3 posibles combinaciones de LEDs encendidos; ver Fig. (B).

Sobre las causas de la avería, ver los números que hay entre paréntesis y la página 14 para su significado

- 1 (9 ÷ 10)
- 2 (11 ÷ 33)
- 3 (32)

Significado de los símbolos:

- POWER =Presencia de tensión
- (M) =Bloqueo motor ventilador (rojo)
- (flame) =Bloqueo quemador (rojo)
- (flame) =Funcionamiento 2ª llama
- (flame) =Funcionamiento 1ª llama
- (power) =Fase de Espera del Programador

D478

ACCESORIO (suministro bajo demanda):

- **STATUS** (ver página 15): cod. **3010322**

- **KIT PROTECCIÓN CONTRA LAS INTERFERENCIAS RADIO**

En caso de instalar el quemador en ambientes especiales expuestos a interferencias radio (emisión de señales de más de 10 V/m) debido a la presencia de INVERTER o en aplicaciones donde las conexiones del termostato superan los 20 metros de longitud, se encuentra disponible un kit de protección como interfaz entre la caja de control y el quemador.

QUEMADOR	RL 190
Código	3010386

CARACTERÍSTICAS TÉCNICAS	Página Nº 2
Dados eléctricos.	2
Versões construtivas	2
Descrição do queimador	3
Embalagem - Peso	3
Dimensões	3
Forma de fornecimento	3
Gráfico Caudal, Potência-Sobrepresão	4
Caldeira de ensaio	4
INSTALAÇÃO	4
Placa da caldeira	4
Comprimento do tubo de fogo	4
Fixação do queimador à caldeira	4
Seleção boquilhas 1ª e 2ª chama	5
Montagem das boquilhas	5
Regulação do cabeçal de combustão	5
Instalação hidráulica	6
Instalação eléctrica	7
Bomba	9
Regulação do queimador	10
Funcionamento do queimador	11
Controlo final	12
Manutenção	12
Diagnóstico programa de arranque	13
Desbloqueio do equipamento e utilização do diagnóstico	13
Anomalia - Causa Provável - Solução	14
Status (por encomenda)	15
Acessório	16

Nota

As figuras mencionadas no texto identificam-se da seguinte forma:

- 1)(A) = Pormenor 1 da figura A, na mesma página que o texto;
- 1)(A)p.3 = Pormenor 1 da figura A, página Nº 3.

Declaração do fabricante			
RIELLO S.p.A. declara que os seguintes produtos respeita os valores limite dos NOx impostos pela normativa alemã "1. BImSchV versão 26.01.2010".			
Produto	Tipo	Modelo	Potência
Queimadores a gasóleo	673 T80	RL 190	759 - 2443 kW

Legnago, 04.09.2012

Ing. I. Zinna
Direção Divisão Queimadores
RIELLO S.p.A.



CARACTERÍSTICAS TÉCNICAS

MODELO			RL 190	
TIPO			3475680	20011009
POTÊNCIA ⁽¹⁾ CAUDAL ⁽¹⁾	2ª chama	kW	1423 - 2443	
		Mcal/h	1224 - 2100	
		kg/h	120 - 206	
	1ª chama	kW	759 - 1423	
		Mcal/h	653 - 1224	
		kg/h	64 - 120	
COMBUSTÍVEL			GASÓLEO	
- Poder Calorífico Inferior		kWh/kg Mcal/kg	11,8 10,2 (10.200 kcal/kg)	
- Densidade absoluta		kg/dm ³	0,82 - 0,85	
- Viscosidade a 20 °C		mm ² /s max	6 (1,5 °E - 6 cSt)	
FUNCIONAMENTO			<ul style="list-style-type: none"> Intermitente (mín. 1 paragem em 24 horas). 2 chamadas (2ª e 1ª) ou 1 chama (tudo-nada). 	
BOQUILHAS		número	2	
UTILIZAÇÃO			Caldeiras: de água, a vapor e óleo térmico	
TEMPERATURA AMBIENTE		°C	0 - 40	
TEMPERATURA AR COMBURENTE		°C máx	60	
BOMBA J7C	Caudal (a 12 bar)	kg/h	230	
	Pressões limite	bar	10 - 21	
	Temp. combustível	°C máx	90	
CONFORMIDADE DIRECTIVAS CEE			2006/42 - 2006/95 - 2004/108	
NÍVEL SONORO ⁽²⁾		dBA	83.9	

(1) Condições de referência: Temperatura ambiente 20°C - Pressão barométrica 1000 mbar - Altitude acima do nível do mar 100 metros.

(2) Pressão acústica medida em laboratório de combustão do construtor, com o queimador funcionando em caldeira de ensaio à máxima potência.

DADOS ELÉCTRICAS

Motor IE1

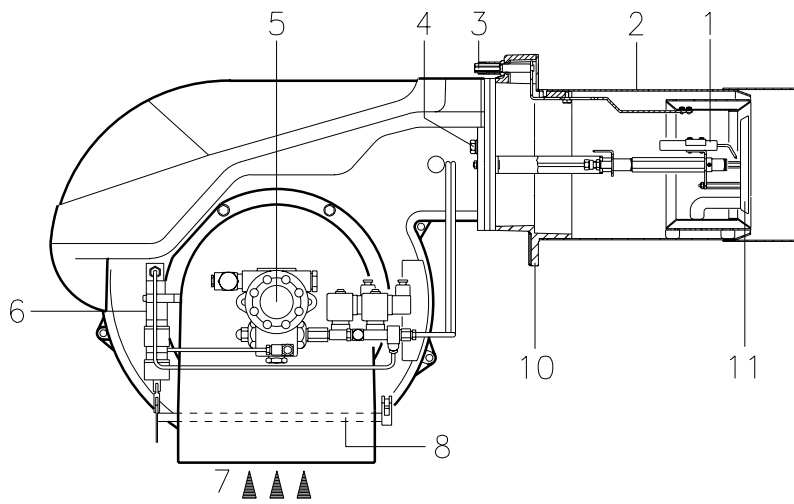
MODELO		RL 190	
ALIMENTAÇÃO ELÉCTRICA	V Hz	380 con Neutro +/-10% 60 - Trifásica ~	220 con Neutro +/-10% 60 - Trifásica ~
ALIMENTAÇÃO CIRCUITOS AUXILIARES	V	220	
MOTOR ELÉCTRICO	rpm	3400	3400
	W	4000	4000
	V	380	220
Intensidade de funcionamento	A	9,1	15,8
Intensidade de arranque	A	72,8	126
TRANSFORMADOR DE ACENDIMENTO	V1 - V2 I1 - I2	230 V - 2 x 5 kV 1,9 A - 35 mA	
CAIXA DE CONTROLO		RMO88,53A2	
POTENCIA ELÉCTRICA ABSORVIDA	W máx	5870	
GRAU DE PROTECCÃO		IP 44	

Motor IE2

MODELO		RL 190	
ALIMENTAÇÃO ELÉCTRICA	V Hz	380 con Neutro +/-10% 60 - Trifásica ~	220 con Neutro +/-10% 60 - Trifásica ~
ALIMENTAÇÃO CIRCUITOS AUXILIARES	V	220	
MOTOR ELÉCTRICO	rpm	3540	3540
	W	4000	4000
	V	380	220
Intensidade de funcionamento	A	8	13,8
TRANSFORMADOR DE ACENDIMENTO	V1 - V2 I1 - I2	230 V - 2 x 5 kV 1,9 A - 35 mA	
CAIXA DE CONTROLO		RMO88,53A2	
POTENCIA ELÉCTRICA ABSORVIDA	W máx	5000	
GRAU DE PROTECCÃO		IP 44	

VERSÕES CONSTRUTIVAS

Modelo	Código	Alimentação eléctrica
RL 190	3475680	380 V
RL 190	20011009	220 V



DESCRIÇÃO DO QUEIMADOR (A)

- 1 Electrodo de acendimento
- 2 Cabeçal de combustão
- 3 Parafuso de regulação do cabeçal de combustão
- 4 Parafuso de fixação do ventilador à flange
- 5 Bomba
- 6 Cilindro hidráulico para regular o registo de ar na posição de 1ª e 2ª chama. Quando o queimador está parado, o registo do ar está completamente fechado para reduzir ao mínimo a dispersão térmica da caldeira devido à tiragem que toma ar da boca de aspiração do ventilador
- 7 Entrada de ar no ventilador
- 8 Registos de ar
- 9 Tomada de pressão do ventilador
- 10 Flange para fixação à caldeira
- 11 Disco estabilizador da chama
- 12 Guias para abertura do queimador e inspecção do cabeçal de combustão
- 13 Prolongadores guias 12)
- 14 Motor eléctrico
- 15 Transformador de acendimento
- 16 Contactador motor e relé térmico com botão de desbloqueio
- 17 Válvula de 1ª chama
- 18 Régua de ligações
- 19 Dois interruptores eléctricos:
 - um de "arranque-paragem" do queimador
 - um para "1ª chama - 2ª chama"
- 20 Passacabos para as ligações eléctricas a cargo do instalador
- 21 Caixa de controlo com piloto luminoso de bloqueio e botão de desbloqueio
- 22 Visor da chama
- 23 Segurança contra falha de chama através de fotorresistência
- 24 Válvula de 2ª chama
- 25 Electroválvula de segurança

Existem duas possibilidades de bloqueio do queimador:

Bloqueio da caixa de controlo: Ao ficar aceso (Led vermelho) o botão da caixa 21)(A) indica que o queimador está bloqueado.

Para desbloquear, premir o botão por um período de tempo compreendido entre 1 e 3 segundos.

Bloqueio do motor: Para desbloquear, carregar no botão do relé térmico 16)(A).

EMBALAGEM - PESO (B) - Medidas aproximadas

- A embalagem do queimador apoia-se num suporte de madeira adaptado para um empilhador. As dimensões exteriores da embalagem indicam-se na tabela (B).
- O peso do queimador completo com a embalagem é indicado na tabela (B).

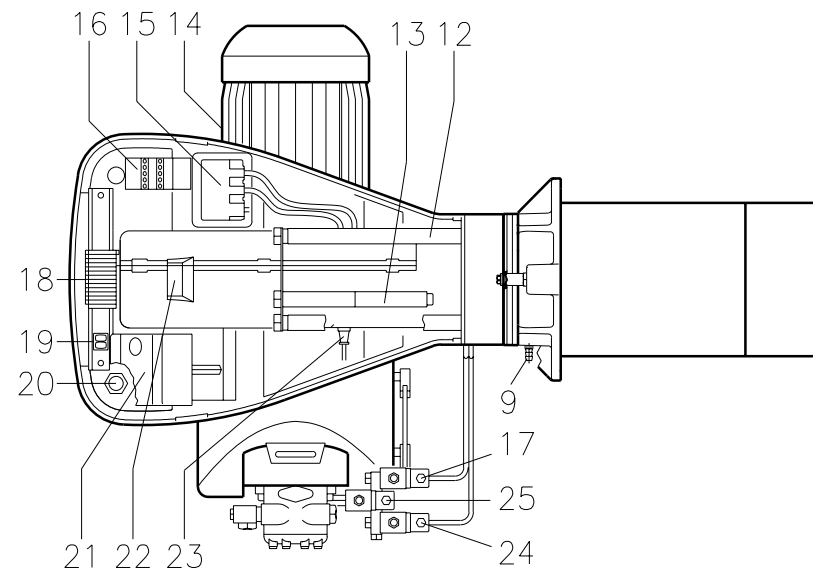
DIMENSÕES MÁXIMAS (C) - Medidas aproximadas

As dimensões máximas do queimador são indicadas em (C).

Ter em conta que para inspecionar o cabeçal de combustão, o queimador deve ser aberto deslocando a parte posterior pelas guias. O comprimento total com o queimador aberto está indicado na cota I.

FORMA DE FORNECIMENTO

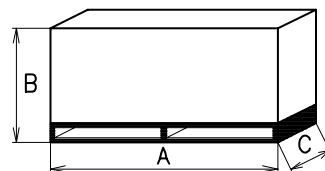
- 2 - Tubos flexíveis (L = 1350 mm))
- 2 - Juntas para tubos flexíveis
- 2 - Racords para tubos flexíveis
- 1 - Junta isolante
- 4 - Prolongadores 13)(A) para guias 12)(A)
- 4 - Parafusos M16x40 fixação do queimador à caldeira
- 1 - Instruções
- 1 - Lista de peças de substituição



(A)

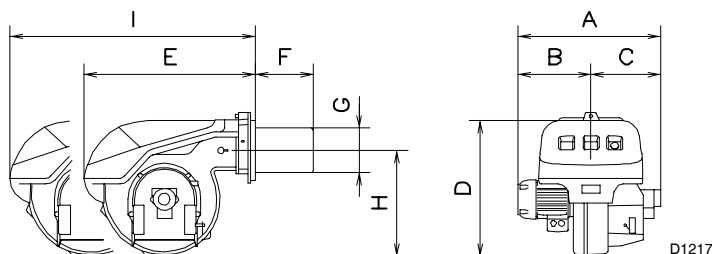
D3930

mm	A	B	C	kg
RL 190	1270	775	890	75



D36

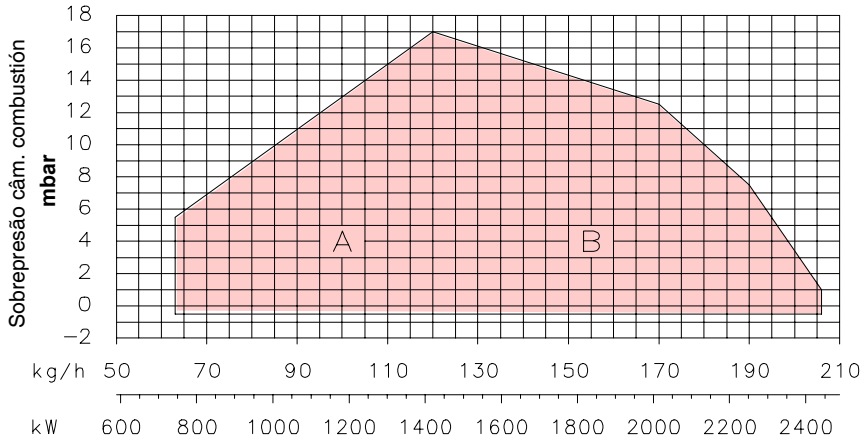
(B)



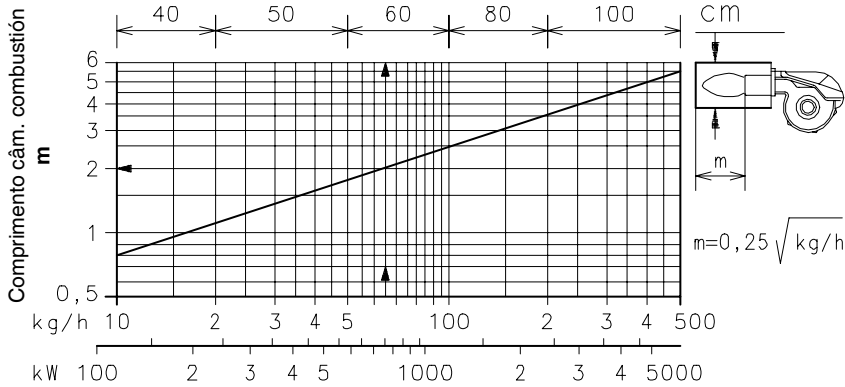
D1217

mm	A	B	C	D	E	F	G	H	I
RL 190	756	366	390	555	712	370	222	430	1166

(C)



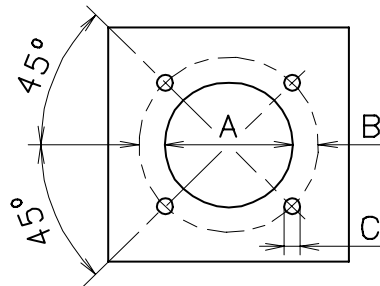
(A)



(B)

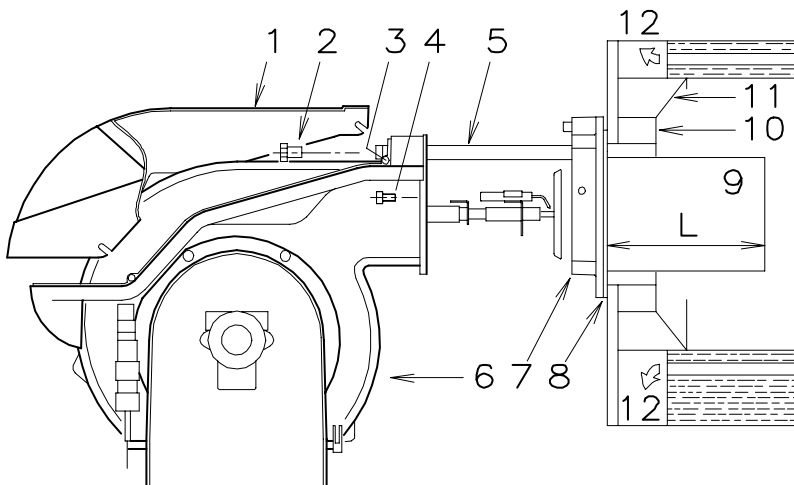
D688

mm	A	B	C
RL 190	230	325-368	M 16



(C)

D455



(D)

D1247

GRÁFICOS CAUDAL, POTÊNCIA-SOBRE-PRESSÃO (A)

Estes queimadores RL 190 podem funcionar de duas formas: mono-chama e bi-chama.

O **CAUDAL na 1ª chama** deve ser seleccionado dentro da zona A do gráfico indicado na margem.

O **CAUDAL na 2ª chama** deve ser seleccionado dentro da zona B. Esta zona proporciona o caudal máximo do queimador em função da pressão que existe na câmara de combustão.

Atenção:

Estes gráficos foram determinados considerando uma temperatura ambiente de 20°C e uma pressão barométrica de 1000 mbar (aprox. 100 metros acima do nível do mar) e com o cabeçal de combustão regulado como está indicado na página 5.

CALDEIRA DE ENSAIO (B)

Os gráficos obtiveram-se a partir de caldeiras de ensaio especiais, conforme o método indicado na norma EN 267.

Na figura (B) é indicado o diâmetro e o comprimento da câmara de combustão da caldeira de ensaio.

Exemplo: Caudal 65 kg/hora; diâmetro = 60 cm; comprimento = 2 m.

Se o queimador é instalado numa caldeira comercial com uma câmara de combustão muito mais pequena, deve ser feito um ensaio antes.

INSTALAÇÃO

PLACA DA CALDEIRA (C)

Furar a placa de fecho da câmara de combustão, tal como está indicado em (C). A posição dos orifícios roscados pode ser marcada utilizando a junta isolante que é fornecida com o queimador.

COMPRIMENTO DO TUBO DE FOGO (D)

O comprimento do tubo de fogo deve ser escolhido de acordo com as indicações do fabricante da caldeira e, em qualquer caso, deve ser maior que a espessura da porta da caldeira completa, com o material refractário incluído. O comprimento, L (mm), disponível é de 370 mm.

Para as caldeiras com passagens de fumos dianteiras (12) ou com câmara de inversão da chama, colocar uma protecção de material refractário (10) entre o refractário da caldeira (11) e o tubo de fogo (9).

Esta protecção deve permitir que o tubo de fogo se desloque.

Nas caldeiras com a frente refrigerada por água, não é necessário o revestimento refractário (10)-(11)(D), excepto se o fabricante da caldeira assim o indicar.

FIXAÇÃO DO QUEIMADOR À CALDEIRA (D)

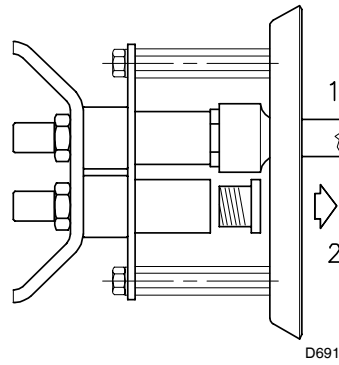
Desmontar o tubo de fogo (9) do queimador (6).

- Aliviar os 4 parafusos (3) e retirar a envolvente (1).
- Tirar os parafusos (2) das duas guias (5).
- Tirar os dois parafusos (4) que fixam o queimador (6) à flange (7).
- Retirar o tubo de fogo (9) com a flange (7) e as guias (5).

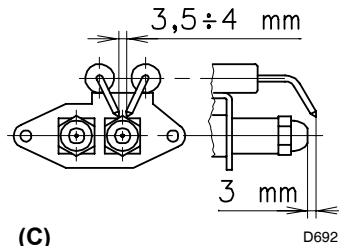
Fixar a flange (7)(D) à placa da caldeira, intercalando a junta (8)(D) fornecida. Usar os 4 parafusos fornecidos, depois de haver protegido a rosca com um produto antibloqueio.

A união do queimador à caldeira deve ser hermética.

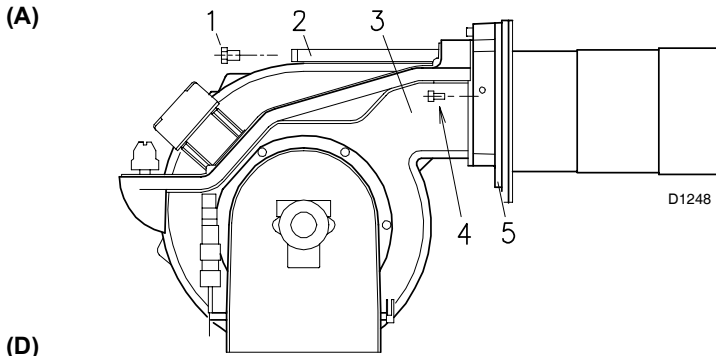
GPH	kg/h			kW 12 bar
	10 bar	12 bar	14 bar	
10,0	38,4	42,4	46,1	502,9
10,5	40,4	44,6	48,4	529,0
11,0	42,3	46,7	50,7	553,9
12,0	46,1	50,9	55,3	603,7
12,3	47,3	52,2	56,7	619,1
13,0	50,0	55,1	59,9	653,5
13,8	53,1	58,5	63,3	693,8
14,0	53,8	59,4	64,5	704,5
15,0	57,7	63,6	69,2	754,3
15,3	58,8	64,9	70,5	769,7
16,0	61,5	67,9	73,8	805,3
17,0	65,4	72,1	78,4	855,1
17,5	67,3	74,2	80,7	880,0
18,0	69,2	76,4	83,0	906,1
19,0	73,0	80,6	87,6	956,0
19,5	75,0	82,7	89,9	980,9
20,0	76,9	84,8	92,2	1005,8
21,5	82,7	91,2	99,1	1081,7
22,0	84,6	93,3	101,4	1106,6
22,5	86,5	95,5	103,7	1132,6
23,0	88,4	97,6	106,0	1157,5
23,5	90,4	99,7	108,3	1182,4
24,0	92,2	101,8	110,6	1207,3
24,5	94,2	104,0	112,9	1233,5
25,0	96,1	106,0	115,3	1257,2
25,5	98,0	108,2	117,6	1283,2
26,0	99,9	110,3	119,9	1308,2
26,5	101,9	112,4	122,2	1333,1
27,0	103,8	114,5	124,5	1358,0
27,5	105,7	116,7	126,8	1384,1
28,0	107,6	118,8	129,1	1409,0



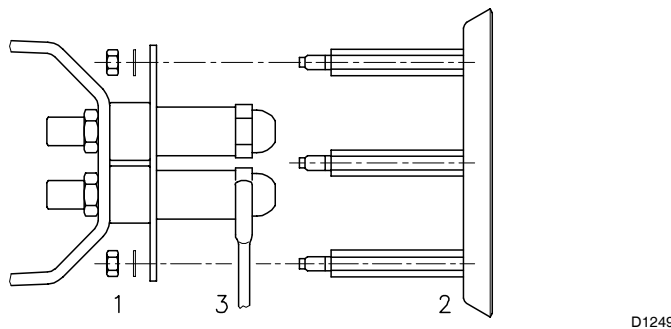
(B)



(C)

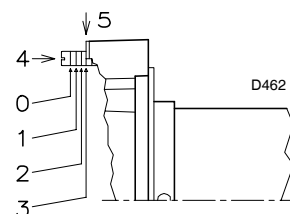


(A)

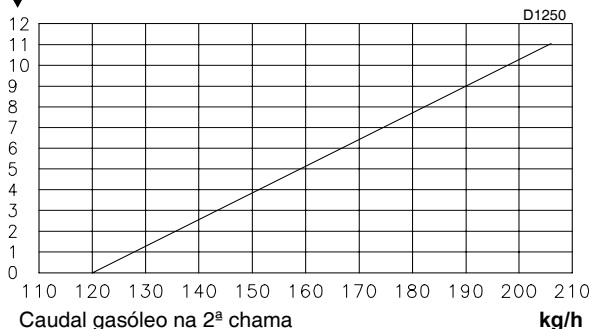


(E)

REGULAÇÃO CABEÇAL DE COMBUSTÃO



(F)



(G)

SELECÇÃO DAS BOQUILHAS PARA 1ª E 2ª CHAMA

As duas boquilhas devem ser escolhidas entre as que figuram na Tabela (A).

A primeira boquilha determina o caudal do queimador na 1ª chama.

A segunda boquilha funciona em conjunto com a primeira e, as duas, determinam o caudal do queimador em 2ª chama.

Os caudais da 1ª e 2ª chama devem estar compreendidos entre os valores indicados na pág. 4.

Utilizar de preferência boquilhas com ângulo de pulverização de 60º e pressão a 12 bar.

Geralmente, as duas boquilhas são do mesmo caudal, mas a da 1ª chama pode ter um caudal inferior a 50%, relativamente ao caudal total, quando se deseja reduzir um pouco a contra-pressão no momento do acendimento (o queimador permite bons valores de combustão inclusive com relações 40-100% entre a 1ª e a 2ª chama).

Exemplo

Potência caldeira = 1630 kW - rendimento 90 %

Potência no queimador =

$$1630 : 0,9 = 1812 \text{ kW};$$

$$1812 : 2 = 906 \text{ kW por boquilha}$$

isto é, são necessárias duas boquilhas iguais de 60º e 12 bar de pressão:

$$1^\circ = 18 \text{ GPH} - 2^\circ = 18 \text{ GPH},$$

ou então duas boquilhas diferentes:

$$1^\circ = 16 \text{ GPH} - 2^\circ = 20 \text{ GPH}.$$

MONTAGEM DAS BOQUILHAS

Neste ponto da instalação, o queimador está ainda separado do tubo de fogo; é, portanto, possível montar a boquilha com a chave de tubo 1)(B) (de 16 mm) depois de se terem retirado os tampões de plástico 2)(B), passando pela abertura central do disco estabilizador de chama. Não utilizar produtos estanques tais como juntas, fitas adesivas ou silicone. Ter o cuidado de não danificar ou riscar o assento de estanqueidade da boquilha. O aperto da boquilha deve ser forte, mas sem chegar ao par máximo que a chave permite.

A boquilha para a 1ª chama de funcionamento é a que se encontra por baixo dos eléctrodos de acendimento, Fig. (C).

Verificar que os eléctrodos estão posicionados como se indica na Fig. (C).

Por último, voltar a montar o queimador 3)(D) sobre as guias, deslocando-o até à flange 5), mantendo-o ligeiramente levantado para evitar que o disco estabilizador de chama tropece no tubo de fogo.

Apertar os parafusos 1) das guias 2) e os parafusos 4) que fixam o queimador à flange.

Caso seja necessário substituir uma das boquilhas com o queimador já instalado na caldeira, proceder da seguinte forma:

- Deslocar o queimador sobre as guias, tal como indica a Fig. (D)p.5.
- Tirar as porcas 1)(E) e o disco 2)
- Substituir a(s) boquilha(s) com a chave 3)(E).

REGULAÇÃO DO CABEÇAL DE COMBUSTÃO

A regulação do cabeçal de combustão depende unicamente do caudal do combustível do queimador na 2ª chama, isto é, da soma dos caudais das duas boquilhas seleccionadas na Tabela (A).

Rodar o parafuso 4)(F) até que o número de posição indicado no gráfico (G) coincida com o plano anterior da flange 5)(F).

Exemplo:

RL 190 com duas boquilhas de 18 GPH e pressão de 12 bar na bomba.

Na Tabela (A) calcular o caudal das duas boquilhas de 18 GPH.

$$76,4 + 76,4 = 152,8 \text{ kg/h}.$$

O gráfico (G) indica que o queimador RL 190 para um caudal de 152,8 kg/h, necessita uma regulação do cabeçal de combustão na posição 4 aproximadamente, tal como indica a Fig. (F).

INSTALAÇÃO HIDRÁULICA

ALIMENTAÇÃO DE COMBUSTÍVEL

Alimentação com dois tubos (A)

O queimador está provido de uma bomba auto-ferrante que é capaz de se auto-alimentar, dentro dos limites que figuram na tabela que está na margem.

Depósito mais alto que o queimador A

A cota P não deve ser superior a 10 metros para não submeter o retentor da bomba a uma pressão excessiva; e a cota V não deve ser superior a 4 metros para que a bomba se possa auto-ferrar, inclusive com o depósito quase vazio.

Depósito mais baixo que o queimador B

Não se deve ultrapassar uma depressão na bomba de 0,45 bar (35 cm Hg). Com uma depressão superior parte do combustível gasificar-se-ia, a bomba faria ruído e encurtar-se-ia a vida da mesma.

É aconselhável que o tubo de retorno e o de aspiração entrem no queimador à mesma altura; desta forma será mais difícil que se produza o desferrar do tubo de aspiração.

Alimentação em ane

A alimentação em anel é formada por um tubo que sai do depósito e retorna a este, com uma bomba auxiliar que faz circular o combustível à pressão. Uma derivação do anel alimenta o queimador. Este sistema é útil quando a bomba do queimador não é capaz de se auto-alimentar porque a distância ou o desnível em relação ao depósito são superiores aos valores indicados na Tabela.

Legenda

H = Desnível bomba-válvula de fundo

L = Comprimento da tubagem

Ø = Diâmetro interior do tubo

1 = Queimador

2 = Bomba

3 = Filtro

4 = Válvula de corte

5 = Tubo de aspiração

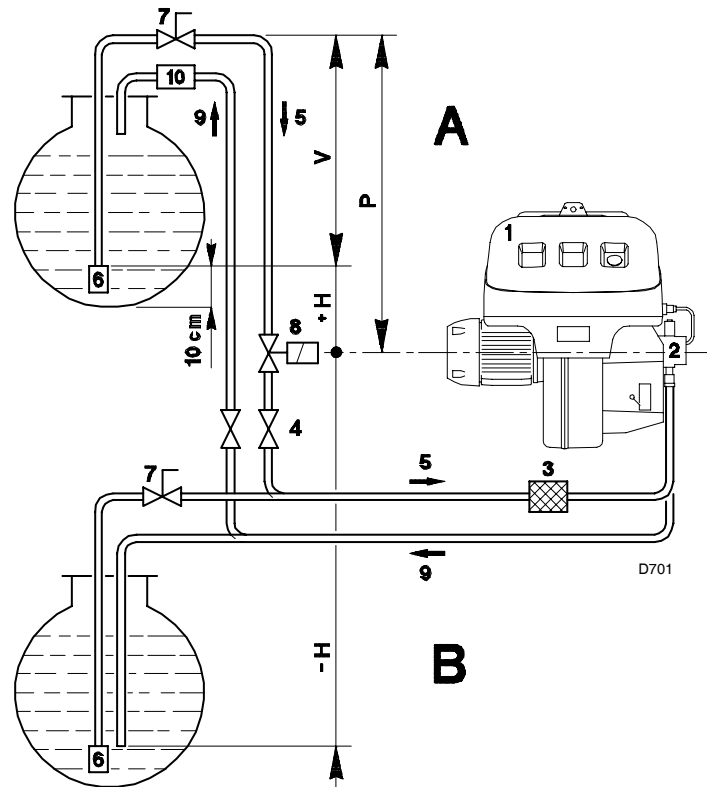
6 = Válvula de pé

7 = Válvula manual de fecho rápido, com comando à distância (somente em Itália)

8 = Electroválvula de fecho (somente em Itália)

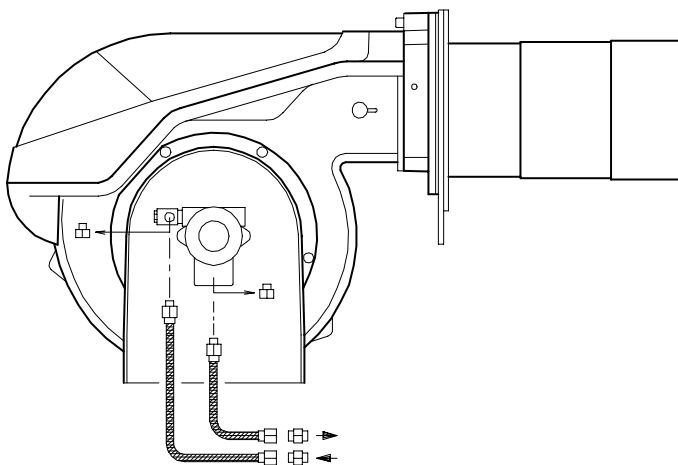
9 = Tubo de retorno

10 = Válvula de retenção (somente em Itália)



+ H - H (m)	L (m)		
	Ø (mm)		
	12	14	16
+ 4,0	71	138	150
+ 3,0	62	122	150
+ 2,0	53	106	150
+ 1,0	44	90	150
+ 0,5	40	82	150
0	36	74	137
- 0,5	32	66	123
- 1,0	28	58	109
- 2,0	19	42	81
- 3,0	10	26	53
- 4,0	-	10	25

(A)



(B)

• LIGAÇÕES HIDRÁULICAS (B)

As bombas têm um by-pass que comunica o retorno com a aspiração. Estão instaladas no queimador, com o by-pass fechado através do parafuso 6)(B)p.11.

Assim, é necessário ligar os dois tubos à bomba. Se a bomba funcionar com o retorno fechado e o parafuso do by-pass colocado, avaria-se de imediato.

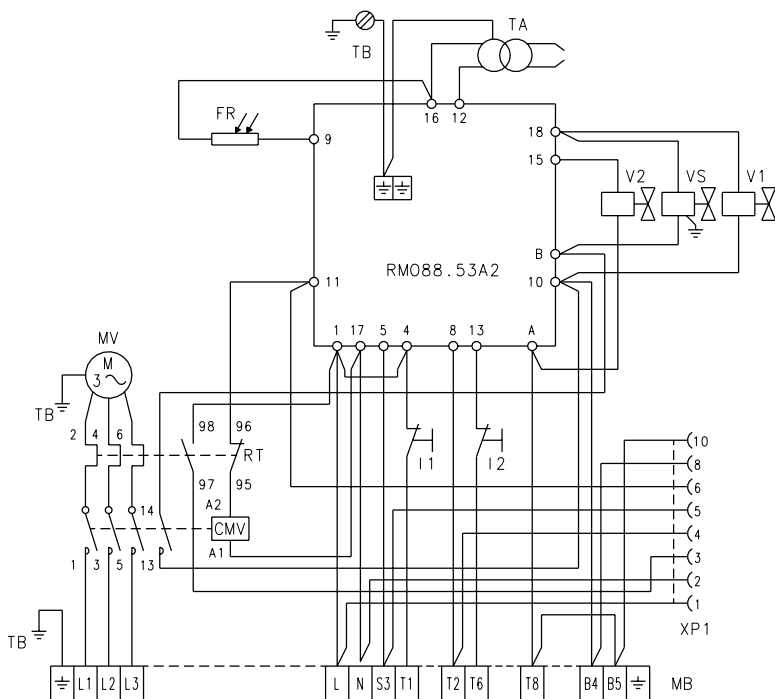
Retirar os tampões das ligações de aspiração e de retorno da bomba.

No seu lugar rosca os tubos flexíveis com as juntas que são fornecidas.

Ao montar os tubos flexíveis, estes não devem ser submetidos a torções nem a alongamentos. Colocar os tubos de forma a que não possam ser pisados nem estejam em contacto com as superfícies quentes da caldeira.

Por último, unir o outro extremo dos tubos flexíveis aos tubos de aspiração e de retorno através das uniões fornecidas.

D1244



Legenda esquema (A) - (B)

- CMV - Contactor motor
- FR - Fotorresistência
- I1 - Interruptor: arranque/paragem queimador
- I2 - Interruptor: 1ª - 2ª chama
- MB - Régua de ligações do queimador
- MV - Motor ventilador
- RMO88.53A2 - Caixa de controlo
- RT - Relé térmico
- TA - Transformador de acendimento
- TB - Ligação terra do queimador
- V1 - Electroválvula 1ª chama
- V2 - Electroválvula 2ª chama
- VS - Electroválvula de segurança
- XP1 - Conector para STATUS

NOTA

Caso seja necessário ter o dispositivo de rearme à distância, ligar um botão (NA) entre o borne 3 e o Neutro da caixa de controlo (bornes 15, 16, 17 e 18).

LIGAÇÃO ELÉCTRICA

a efectuar pelo Instalador
 Usar cabos flexíveis conforme a norma EN 60 335-1:
 • se revestidos de PVC, utilizar no mínimo H05 VV-F
 • se revestidos de borracha, utilizar pelo menos H05 RR-F.

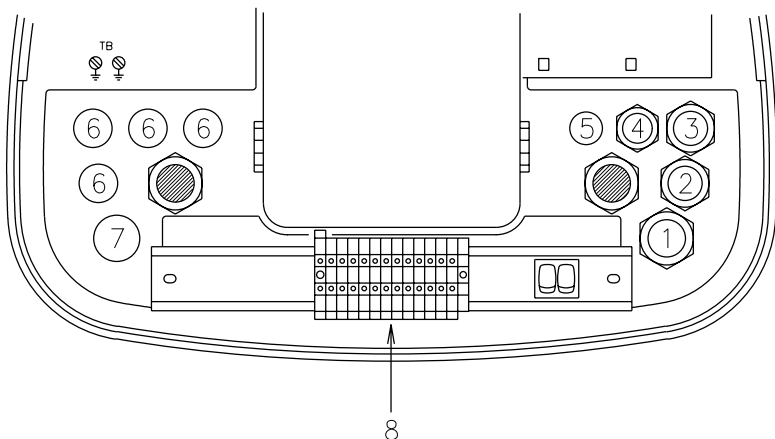
Todos os cabos que forem ligados à régua 8)(B) do queimador, devem ser canalizados através de passacabos.
 Os passacabos podem ser utilizados de várias formas; como exemplo, indicamos a seguinte forma:

- 1- Pg 13,5 alimentação trifásica
- 2- Pg 11 alimentação monofásica
- 3- Pg 11 termostato TL
- 4- Pg 9 termostato TR
- 5- Pg 9 preparado para bucins
- 6- Pg 11 preparado para bucins
- 7- Pg 13,5 preparado para bucins

(A)

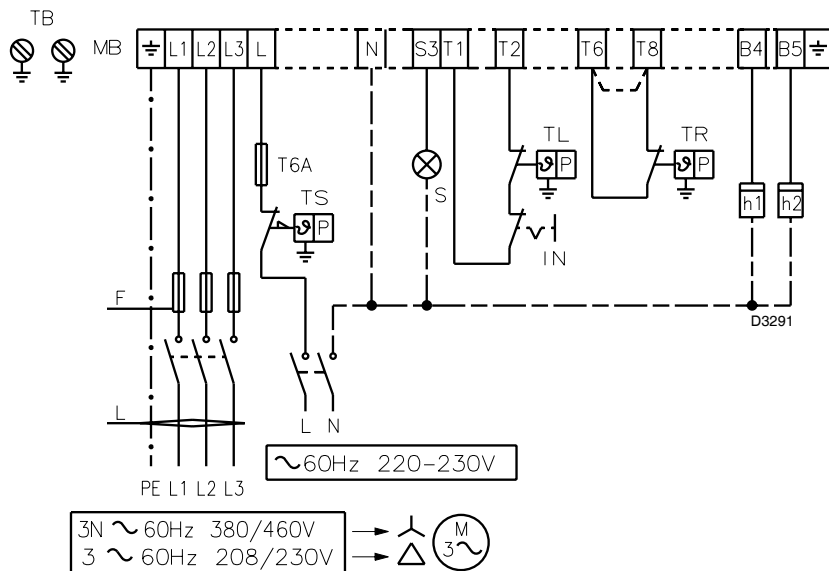
D3229

LIGAÇÃO ELÉCTRICA



(B)

D3312



		RL 190	
		208-230 V	380-460 V
F	A gG/gL	25	16
	A aM	20	12
L	mm ²	2,5	2,5

(A)

Modelo	Regulação do relé térmico
RL 190 - 220 V	16 A
RL 190 - 380 V	9.5 A

(B)

ESQUEMA (A)

Ligação eléctrica RL 190

Alimentação trifásica 230/400 V com Neutro

Fusíveis e secção cabos esquema (A), ver Tabela.

Leyenda esquemas (A)

- h1 - Contador de horas na 1ª chama
- h2 - Contador de horas na 2ª chama
- IN - Interruptor de paragem manual queimador
- MB - Régua de ligações queimador
- S - Sinalização de bloqueio à distância
- TB - Ligação terra do queimador
- TL - Termostato de regulação máxima: provoca a paragem do queimador quando a temperatura na caldeira ultrapassa o valor preestabelecido.
- TR - Termostato de regulação: comanda a 1ª e a 2ª chama de funcionamento. Só é necessário para funcionamento a duas chamas.
- TS - Termostato de segurança: actua em caso de avaria do termostato TL.

Atenção: o queimador sai de fábrica preparado para funcionar a duas chamas e deve, portanto, ligar-se o termostato TR que comanda a electroválvula V2 do gasóleo.

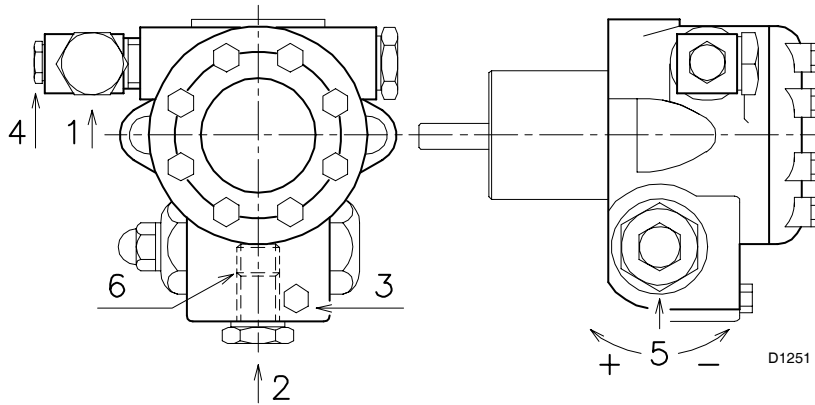
Caso contrário, se deseja que funcione a uma chama, substituir o termostato TR por uma ponte entre os bornes 5 e 6 da régua de ligações.

Os queimadores RL 190 foram homologados para funcionar de modo intermitente. Isto significa que devem parar "por Norma" pelo menos uma vez cada 24 horas para permitir que a caixa de controlo faça uma verificação da eficácia ao arranque. Normalmente, a paragem do queimador está assegurada pelo termostato da caldeira.

Se assim não for, deverá colocar em série com o interruptor IN, um interruptor horário que pare o queimador pelo menos uma vez cada 24 horas.

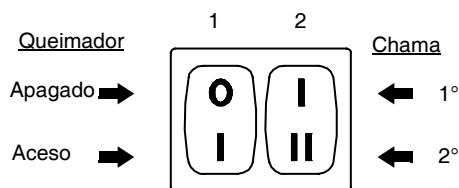
ATENÇÃO: Não inverter Neutro com Fase na linha da corrente eléctrica.

**BOMBA
SUNTEC J7 C**



		J7 C
A	kg/h	230
B	bar	10 - 21
C	bar	0,45
D	cSt	2,8 - 200
E	°C	90
F	bar	1,5
G	bar	12
H	mm	0,170

(A)



(B)

D469

BOMBA (A)

- 1 - Aspiração G 1/2"
- 2 - Retorno G 1/2"
- 3 - Ligação manómetro G 1/8"
- 4 - Ligação vacuómetro G 1/8"
- 5 - Regulação da pressão
- 6 - Parafuso by-pass

- A - Caudal mínimo a 12 bar de pressão
- B - Campo de regulação da pressão de saída
- C - Depressão máxima em aspiração
- D - Campo de viscosidade
- E - Temperatura máxima do gasóleo
- F - Pressão máx. em aspiração e retorno
- G - Regulação da pressão em fábrica
- H - Largura da malha do filtro

ALIMENTAÇÃO DA BOMBA

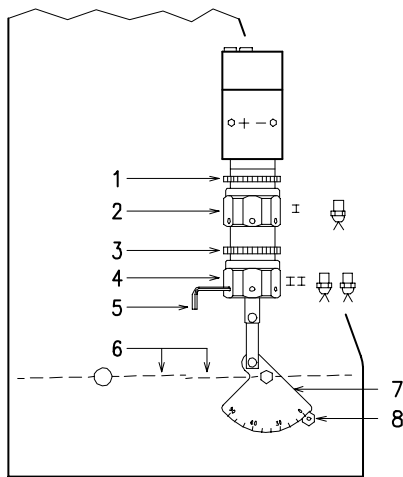
- Antes de pôr o queimador em funcionamento, certificar-se de que o tubo de retorno ao depósito não está obstruído, o que provocaria a ruptura do retentor do eixo da bomba. (A bomba sai de fábrica com a válvula de by-pass fechada).
- Com o fim de que a bomba se possa auto-alimentar, é indispensável aliviar o parafuso 3)(A) da bomba para purgar o ar que possa haver no tubo de aspiração.
- Colocar em funcionamento o queimador fechando os termostatos e com o interruptor 1)(A) na posição "MARCHA". A bomba deve rodar no sentido da seta que esta marcada na cobertura.
- Quando o gasóleo sai pelo parafuso 3), indica que a bomba está alimentada. Parar o queimador: interruptor 1)(B) na posição "PARAGEM" e apertar o parafuso 3).

O tempo necessário para esta operação depende do diâmetro e do comprimento do tubo de aspiração. Se a bomba não se ferra no primeiro arranque e o queimador bloqueia, esperar cerca de 15 segundos, rearmar e repetir a operação de arranque tantas vezes quantas as necessárias. Por cada 5 ou 6 arranques, esperar 2 ou 3 minutos para que o transformador arrefeça.

Não iluminar a resistência para evitar que o queimador se bloqueie; de qualquer forma, o queimador ficará bloqueado cerca de 10 segundos após o arranque.

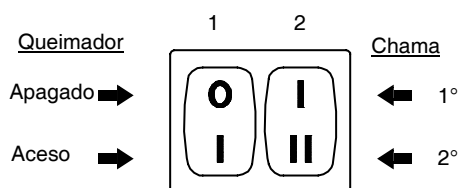
Atenção: la operação anteriormente indicada é possível porque a bomba sai de fábrica cheia de combustível. Se a bomba se esvaziou, enchê-la de combustível pelo tampão do vacuómetro antes de a pôr em funcionamento, para evitar que se bloqueie.

Quando o tubo de aspiração tiver mais de 20-30 metros de comprimento, voltar a encher o tubo com uma bomba independente.



(A)

D1252



(B)

D469

REGULAÇÃO DO QUEIMADOR

ACENDIMENTO

Colocar o interruptor 1)(B) na posição "MAR-CHA".

No primeiro acendimento, ou no momento de passar da 1ª à 2ª chama, produz-se uma diminuição momentânea da pressão do combustível em consequência do enchimento do tubo que alimenta a 2ª boquilha. Esta baixa de pressão pode provocar a paragem do queimador, acompanhada, por vezes, de pulsações.

Uma vez efectuadas as regulações descritas de seguida, o acendimento do queimador deve produzir um ruído semelhante ao de funcionamento. Caso sejam notadas uma ou mais pulsações, ou um atraso no acendimento relativamente à abertura da electroválvula do gasóleo, ver os conselhos indicados na pág. 14: causas 34 ÷ 39.

FUNCIONAMENTO

Para conseguir uma regulação óptima do queimador, é necessário fazer uma análise da combustão à saída da caldeira e actuar sobre os seguintes elementos.

• Boquilhas da 1ª e 2ª chama

Ver o indicado na pág. 5.

• Cabeçal de combustão

A regulação do cabeçal que já tenha sido feito, não necessita de alteração se o caudal do queimador na 2ª chama não variou.

• Pressão da bomba

12 bar: é a pressão regulada de fábrica e a que, normalmente, se deve utilizar. Por vezes, pode ser necessário regulá-la a:

10 bar para reduzir o caudal de combustível. É possível caso a temperatura ambiente permaneça acima dos 0°C. Nunca descer de 10 bar, já que o hidráulico do ar poderia abrir-se com dificuldade.

14 bar para aumentar o caudal do combustível ou para que o queimador acenda bem inclusive a temperaturas inferiores a 0°C.

Para variar a pressão da bomba, usar o parafuso 5)(A)p. 9.

• Registo do ventilador - 1ª chama

Manter o queimador funcionando na 1ª chama, colocando o interruptor 2)(B) na posição 1ª chama. A abertura do registo 6)(A) deve ser proporcional à da boquilha escolhida: o índice 8)(A) deve corresponder com o número da posição indicada no sector graduado 7)(A). A regulação faz-se rodando o hexágono 2)(A):

- para a direita (sinal -), a abertura diminui;
- para a esquerda (sinal +), a abertura aumenta.

• Registo do ventilador - 2ª chama

Colocar o interruptor 2)(B) na posição 2ª chama e regular o registo 6)(A) actuando sobre o hexágono 4)(A), depois de se ter aliviado a contraporca 3)(A).

NOTA: Para facilitar a regulação dos hexágonos 2) e 4)(A), utilizar uma chave hexagonal de 3 mm 5)(A).

FUNCIONAMENTO DO QUEIMADOR

ARRANQUE DO QUEIMADOR (A) - (B)

Fases do arranque com os tempos progressivos em segundos:

- Fecha-se o termostato TL.
Passados cerca de 3s:
- **0 s** : Inicia o programa da caixa de controle.
- **2 s** : Entra em funcionamento o motor ventilador.
- **3 s** : Gera-se faísca no eléctrodo de acendimento.
A bomba 3) aspira o combustível do depósito através do tubo 1) e do filtro 2) e bombeia-o à pressão. O pistão 4) desloca-se e o combustível regressa ao depósito através dos tubos 5) e 7). O parafuso 6) fecha o by-pass para a aspiração e as electroválvulas 8), 11) e 16), desactivadas, fecham a passagem para as boquilhas.
O hidráulico do ar 15), pistão A, abre o registo de ar e faz a pré-ventilação com o caudal de ar da 1ª chama.
- **22 s** : Abrem-se as electroválvulas 16) e 8); o combustível passa pelo tubo 9) e filtro 10), saindo pulverizado pela boquilha e, ao entrar em contacto com a faísca, acende-se a 1ª chama.
- **29 s** : Apaga-se o transformador de acendimento.
- **36 s** : Se o termostato TR está fechado ou foi substituído por uma ponte, a electroválvula 11) da 2ª chama, activada, abre duas vias: uma para o tubo 12), o filtro 13) e a boquilha de 2ª chama; e a outra para o hidráulico do ar 15), pistão B, que abre o registo de ar do ventilador na 2ª chama.
Finaliza o ciclo de arranque.

FUNCIONAMENTO A REGIME

Instalação com termostato TR

Finalizado o ciclo de arranque, o comando da electroválvula de 2ª chama passa ao termostato TR, que controla a pressão ou a temperatura na caldeira.

- Quando a temperatura ou a pressão aumenta até à abertura do termostato TR, a electroválvula 11) fecha-se e o queimador passa de 2ª a 1ª chama.
- Quando a temperatura ou a pressão diminui até ao fecho do termostato TR, a electroválvula 11) abre-se e o queimador passa de 1ª a 2ª chama; e assim sucessivamente.
- A paragem do queimador produz-se quando as necessidades de calor são menores que as geradas pelo queimador na 1ª chama. O termostato TL abre-se, as electroválvulas 8) e 16) fecham-se, e a chama apaga-se repentinamente. O registo de ar do ventilador fecha-se por completo.

Instalação sem termostato TR, substituído por uma ponte

O arranque do queimador é feito como o indicado anteriormente. Posteriormente, se a temperatura ou a pressão aumenta até à abertura do termostato TL, o queimador apaga-se (segmento A-A do gráfico).

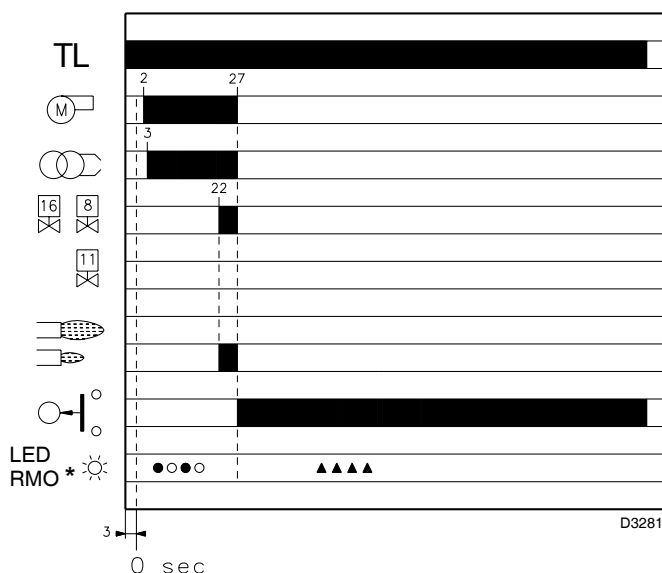
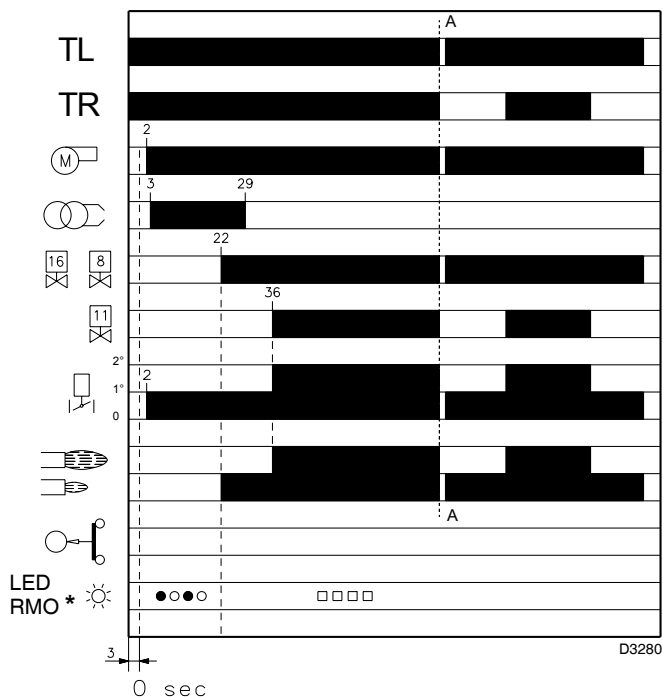
No momento em que a electroválvula 11) se desactiva, o combustível existente no hidráulico do ar 15), pistão B, é descarregado através da boquilha.

FALTA DE ACENDIMENTO

Se o queimador não se acende, produz-se o bloqueio do mesmo num tempo máximo de 5 segundos desde a abertura da electroválvula da 1ª chama e aos 25 ÷ 28 segundos depois do fecho do termostato TL. O piloto da caixa de controlo acende-se.

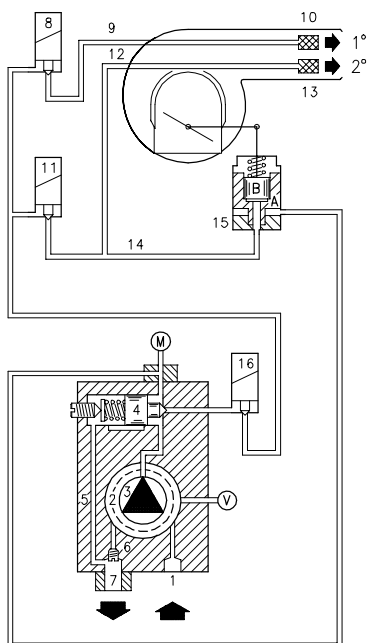
APAGAR DA CHAMA DURANTE O FUNCIONAMENTO

Se a chama se apaga durante o funcionamento do queimador, este bloqueia-se em 1 segundo e faz uma tentativa para entrar em funcionamento, repetindo o ciclo de arranque.



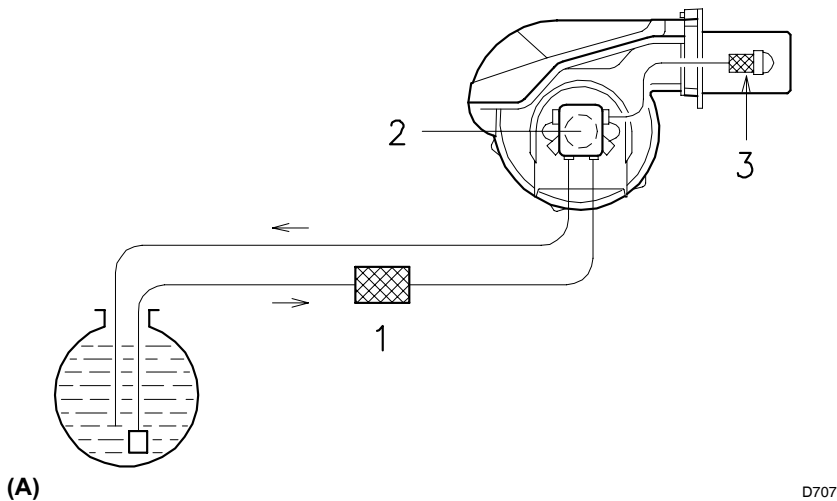
- * ○ Apagado ● Amarelo □ Verde ▲ Vermelho
Para ulteriores informações ver pág. 13.

(A)



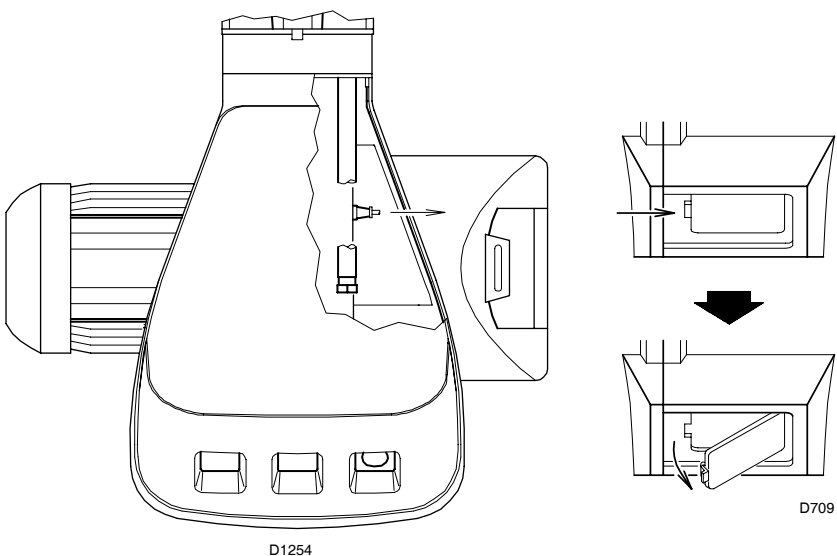
(B)

D1253



(A)

D707

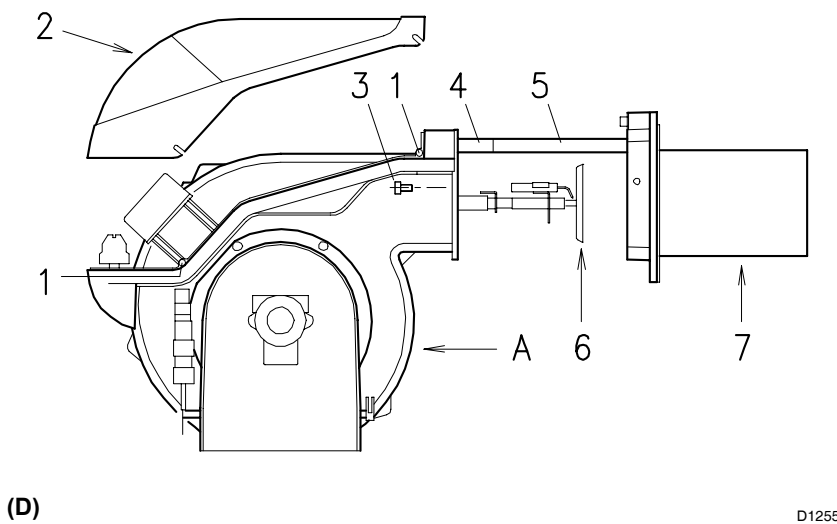


D1254

D709

(B)

(C)



(D)

D1255

CONTROLO FINAL

- **Obscurecer a fotorresistência e fechar os termostatos:** o queimador deve arrancar e de seguida bloquear-se a cerca de 5 segundos aproximadamente da abertura da válvula de 1ª chama.
- **Iluminar a fotorresistência e fechar os termostatos:** o queimador deve arrancar e, ao fim de cerca de 10 segundos, bloquear-se.
- **Obscurecer a fotorresistência com o queimador a funcionar na 2ª chama sucedendo o seguinte em sequência:** apagar da chama em 1 segundo, ventilação durante 20÷28 segundos, faísca durante cerca de 5 segundos e bloqueio do queimador.
- **Abrir o termostato TL e de seguida o TS, com o queimador em funcionamento:** o queimador deve parar.

MANUTENÇÃO

Combustão

Efectuar a análise dos gases de combustão que saem da caldeira. As diferenças significativas em relação à última análise indicarão os pontos onde deverão centrar-se as operações de manutenção.

Bomba

A pressão de impulsão da bomba deve ser estável a 12 bar.

A **depressão** deve ser inferior a 0,45 bar.

O **ruído** da bomba não deve ser perceptível.

No caso de pressão instável ou se a bomba produz ruído, desligar o tubo flexível do filtro de linha e aspirar o combustível de um depósito colocado junto do queimador. Esta medida de precaução permite determinar se a causa da anomalia é do tubo de aspiração ou da bomba.

Se for da bomba, verificar se o seu filtro não está sujo. Com efeito, como o vacuómetro está instalado antes do filtro, não mostra o seu estado de sujidade.

Pelo contrário, se a causa da anomalia está no tubo de aspiração, verificar se o filtro de linha não está sujo ou se entra ar no tubo.

Filtros (A): Verificar os cartuchos filtrantes:

- de linha 1)
- da bomba 2)
- da boquilha 3), limpá-los ou substituí-los.

Se no interior da bomba é verificada oxidação ou outras impurezas, aspirar do fundo do depósito com uma bomba independente, a água e os lodos que eventualmente ali se tenham depositado.

Ventilador: Verificar que não se tenha acumulado pó no interior do ventilador nem nas pás da turbina: reduz o caudal de ar, provocando uma combustão defeituosa.

Cabeçal de combustão: Verificar que todas as partes do cabeçal estão intactas, que não estão deformadas pelas altas temperaturas, que não têm sujidade proveniente do ambiente e que estão correctamente posicionadas.

Boquilhas: Não tentar limpar o orifício das boquilhas. Substituir as boquilhas cada 2 ou 3 anos, ou quando for necessário. Quando se substituem, deve ser feita uma análise de combustão.

Fotorresistência (B): Limpar o pó depositado no vidro. Para retirar a fotorresistência 1), puxar para fora.

Visor chama (C): Limpar o vidro.

Tubos flexíveis

Verificar que estão em boas condições.

Depósito de combustível: Cada 5 anos, aproximadamente, aspirar a água do fundo do depósito com uma bomba independente.

Caldeira: Limpar a caldeira de acordo com as instruções que a acompanham, com a finalidade de poder manter intactas as características de combustão originais, em especial a pressão na câmara de combustão e a temperatura dos fumos.

PARA ABRIR O QUEIMADOR (D)

- Interromper a corrente eléctrica
- Aliviar os parafusos 1) e retirar a envolvente 2)
- Desenroscar os parafusos 3)
- Montar os 2 prolongadores 4) que são fornecidos com as guias 5)
- Deslocar a parte A, mantendo-a ligeiramente levantada para não danificar o disco estabilizador 6) do tubo de fogo 7).

DIAGNÓSTICO PROGRAMA DE ARRANQUE

As indicações que aparecem durante o programa de arranque, estão explicadas na seguinte tabela:

TABELA CÓDIGO COR	
Sequências	Código cor
Pré-varrimento	● ○ ● ○ ● ○ ● ○ ●
Fase de ligação	● ○ ● ○ ● ○ ● ○ ●
Funcionamento com chama ok	□ □ □ □ □ □ □ □ □
Funcionamento com sinal de chama fraca	□ ○ □ ○ □ ○ □ ○ □
Alimentação eléctrica inferior a ~ 170V	● ▲ ● ▲ ● ▲ ● ▲ ●
Bloqueio	▲ ▲ ▲ ▲ ▲ ▲ ▲ ▲ ▲
Luz estranha	▲ □ ▲ □ ▲ □ ▲ □ ▲
Legenda:	○ Apagado ● Amarelo □ Verde ▲ Vermelho

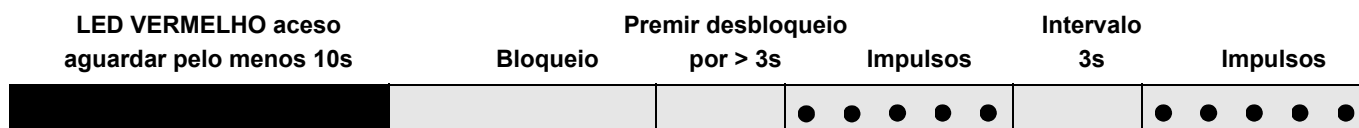
DESBLOQUEIO DO EQUIPAMENTO E UTILIZAÇÃO DO DIAGNÓSTICO

O equipamento fornecido de série possui uma sua função de diagnóstico, por meio da qual é possível localizar facilmente as eventuais causas de mau funcionamento (sinalização: **LED VERMELHO**).

Para utilizar tal função, é necessário aguardar pelo menos 10 segundos após a colocação da segurança (bloqueio) e, em seguida, pressionar o botão de desbloqueio.

O equipamento cria uma sequência de impulsos (à distância de 1 segundo) que se repete a intervalos constantes de 3 segundos.

Visualizado o número de sinais intermitentes e identificada a provável causa, é necessário reiniciar o sistema, mantendo o botão pressionado por um período de tempo compreendido entre 1 e 3 segundos.



A seguir, estão ilustrados os métodos possíveis para efectuar o desbloqueio do equipamento e para a utilização do diagnóstico.

DESBLOQUEIO DO EQUIPAMENTO

Para efectuar o desbloqueio do equipamento, agir como segue:

- Premir o botão por um período de tempo compreendido entre 1 e 3 segundos.
O queimador arranca após uma pausa de 2 segundos depois de se ter largado o botão.
No caso em que o queimador não arranque é necessário verificar o fechamento do termostato limite.

DIAGNÓSTICO VISUAL

Indica o tipo de defeito do queimador que determina o bloqueio do mesmo.

Para visualizar o diagnóstico, agir como segue:

- Com o led vermelho fixo (bloqueio do queimador), manter premido o botão por mais de 3 segundos.
O fim da operação será indicado pelo acender de um led amarelo intermitente.
Soltar o botão após o piscar do led. O número de sinais intermitentes evidencia a causa do mau funcionamento de acordo com a codificação indicada na tabela de pag. 14.

DIAGNÓSTICO SOFTWARE

Fornecer a análise da vida vida do queimador por meio da conexão óptica ao PC, indicado as relativas horas de funcionamento, número e tipos de bloqueios, número de série do equipamento etc...

Para visualizar o diagnóstico, agir como segue:

- Com o led vermelho fixo (bloqueio do queimador), manter premido o botão por mais de 3 segundos.
O fim da operação será indicado pelo acender de um led amarelo intermitente.
Soltar o botão por 1 segundo e em seguida, voltar a premi-lo por mais de 3 segundos até à visualização de um ulterior piscar amarelo.
Quando se solta o botão, o led vermelho irá piscar em modo intermitente com frequência elevada: só nessa altura será possível inserir a conexão óptica.

Uma vez executadas as operações, é necessário restabelecer o estado inicial do equipamento por meio do procedimento de desbloqueio acima descrito.

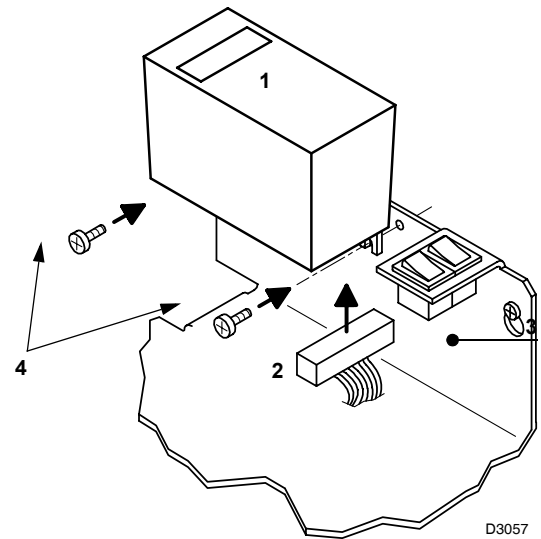
PRESSÃO NO BOTÃO	ESTADO DO EQUIPAMENTO
De 1 a 3 segundos	Desbloqueio do equipamento sem visualização do diagnóstico visual.
Mais de 3 segundos	Diagnóstico visual da condição de bloqueio: (piscar do led com intermitência de 1 segundo).
Mais de 3 segundos a partir da condição de diagnóstico visual	Diagnóstico software com auxílio de interface óptica e PC (possibilidade de visualização das horas de funcionamento, das anomalias, etc..)

A sequência dos impulsos emitidos pelo equipamento identifica os possíveis tipos de avaria que são ilustrados na tabela de pag. 14.

SIGNAL	ANOMALIA	CAUSA PROVÁVEL	SOLUÇÃO
Nenhum sinal intermitente	O queimador não arranca	1 - Não há fornecimento de corrente eléctrica 2 - Termostato de regulação máxima TL aberto 3 - Termostato de segurança TS aberto 4 - Bloqueio da caixa de controlo 5 - Bloqueio da bomba 6 - Ligação eléctrica incorrecta 7 - Caixa de controlo defeituosa 8 - Motor eléctrico defeituoso	Fechar os interruptores; verificar os fusíveis Regulá-lo ou substituí-lo Regulá-lo ou substituí-lo Desbloqueá-la (10 seg. depois do bloqueio) Substituí-la Verificá-la Substituí-la Substituí-lo
2 sinais intermitentes ● ●	Superado o pré-varrimento e o tempo de segurança, o queimador bloqueia-se sem que apareça a chama	9 - Falta combustível ou há água no fundo do depósito 10 - Cabeçal e registo de ar mal regulados 11 - Electroválvulas gasóleo não abrem (1ª chama ou segurança) 12 - Boquilha da 1ª chama obturada, suja ou deformada 13 - Eléctrodos de acendimento mal regulados ou sujos 14 - Eléctrodo a massa devido a isolante partido 15 - Cabo de alta tensão defeituoso ou a massa 16 - Cabo de alta tensão deformado por alta temperatura 17 - Transformador de acendimento defeituoso 18 - Ligação eléctrica válvulas ou transformador incorrecto 19 - Caixa de controlo defeituosa 20 - Bomba desferrada 21 - Acoplamento motor-bomba partido 22 - Aspiração da bomba ligada ao tubo de retorno 23 - Válvulas antes da bomba fechadas 24 - Filtros sujos (de linha - da bomba - da boquilha) 25 - Fotorresistência ou caixa de controlo defeituosa 26 - Fotorresistência suja 27 - 1ª chama do hidráulico defeituosa 28 - Bloqueio do motor 29 - Interruptor do comando do motor defeituoso 30 - Corrente eléctrica a duas fases. Actua o relé térmico 31 - Motor roda em sentido contrário	Abastecer combustível ou aspirar a água Regulá-los; ver pág. 5 e 10 Verificar as ligações; substituir a bobine Substituí-la Regulá-los ou limpá-los Substituí-lo Substituí-lo Substituí-lo e protegê-lo Substituí-lo Comprová-lo Substituí-la Ferrar a bomba Substituí-lo Corrigir a ligação Abri-las Limpá-los Substituir fotorresistência ou caixa de controlo Limpá-la Substituir hidráulico Desbloquear o relé térmico Substituí-lo Desbloquear o relé térmico quando volte à terceira fase Mudar a ligação eléctrica do motor
4 sinais intermitentes ● ● ● ●	O queimador arranca e bloqueia de imediato	32 - Fotorresistência em curto-circuito 33 - Luz externa ou simulação de chama	Substituir a fotorresistência Eliminar luz ou substituir a caixa de controlo
7 sinais intermitentes ● ● ● ● ● ● ●	A chama apaga-se	34 - Cabeçal mal regulado 35 - Eléctrodos de acendimento mal regulados ou sujos 36 - Registo do ventilador mal regulado: excesso ar (1ª chama) 37 - 1ª boquilha demasiado grande (pulsações) 38 - 1ª boquilha demasiado pequena (pulsações) 39 - 1ª boquilha suja ou deformada 40 - Pressão da bomba inadequada 41 - Boquilha 1ª chama inadequada ao queimador ou caldeira 42 - Boquilha 1ª chama defeituosa	Regulá-lo; ver pág. 5 Fig. (F) Regulá-los; ver pág. 5 Fig. (B) ou limpá-los Regulá-lo Reduzir o caudal da 1ª boquilha Aumentar o caudal da 1ª boquilha Substituí-la Regulá-la Ver Tab. boquilhas p.6; reduzir boq. 1ª chama Substituí-la
	O queimador não passa à 2ª chama	43 - Termostato TR não fecha 44 - Caixa de controlo defeituosa 45 - Bobine da electroválvula de 2ª chama defeituosa	Regulá-lo ou substituí-lo Substituí-la Substituí-la
	O combustível passa à 2ª chama e o ar fica na 1ª chama.	46 - Pressão da bomba é baixa 47 - 2ª chama do hidráulico defeituosa	Aumentá-la Substituir hidráulico
	O queimador pára ao passar da 1ª à 2ª chama e da 2ª à 1ª. O queimador repete o ciclo de arranque.	48 - Boquilha suja. 49 - Fotorresistência suja. 50 - Demasiado ar	Substituí-la Limpá-la Reduzi-lo
	Alimentação de combustível irregular	51 - Verificar se a causa está na bomba ou na instalação da alimentação do combustível	Alimentar o queimador de um depósito colocado perto do queimador
	A bomba está oxidada interiormente	52 - Água no depósito	Aspirar o fundo do depósito com uma bomba
	A bomba produz ruído; pressão pulsante	53 - Entrada do ar no tubo de aspiração - Depressão demasiado alta (superior a 35 cm Hg) 54 - Desnível queimador-depósito demasiado grande 55 - Diâmetro do tubo demasiado pequeno 56 - Filtros de aspiração sujos 57 - Válvulas de aspiração fechadas 58 - Solidificação da parafina devido a baixa temperatura	Apertar os racords Alimentar o queimador com o circuito em anel Aumentá-lo Limpá-los Abri-las Juntar aditivo ao gasóleo
	A bomba está desferrada depois de uma paragem prolongada	59 - Tubo de retorno não está imerso no combustível 60 - Entrada de ar no tubo de aspiração	Situá-lo à mesma altura do tubo de aspiração Apertar os racords
	A bomba perde gasóleo	61 - Fuga pelo retentor	Substituir bomba
	Chama com fumo - Bacharach escuro	62 - Pouco ar 63 - Boquilha suja ou desgastada 64 - Filtro da boquilha sujo 65 - Pressão da bomba incorrecta 66 - Espiral estabilizador chama suja, frouxa ou deformada 67 - Abertura da ventilação sala caldeira insuficiente 68 - Demasiado ar	Regular cabeçal e registo ventilador; pág. 5 e 10. Substituí-la Limpá-lo ou substituí-lo Regulá-la: compreendida entre 10 e 14 bar Limpá-la, apertá-la ou substituí-la Aumentá-la Regular cabeçal e registo ventilador; pág. 5 e 10
	- Bacharach amarelo		
	Cabeçal de combustão sujo	69 - Boquilha ou orifício da boquilha sujo 70 - Angulo ou caudal da boquilha inadequado 71 - Boquilha frouxa 72 - Impurezas do ambiente na espiral estabilizador 73 - Regulação do cabeçal incorrecto ou pouco ar 74 - Comprimento do tubo de fogo inadequado à caldeira	Substituí-la Ver boquilhas recomendadas, pág.5 Apertá-la Limpá-la Regulá-la; ver pág. 10; abrir registo de ar Consultar o fabricante da caldeira
10 sinais intermitentes ● ● ● ● ● ● ● ● ● ●	O queimador bloqueia-se	75 - Erro de ligação ou avaria interna 76 - Presença de distúrbios electromagnéticos	Utilizar o kit protecção contra as rádio-interferências

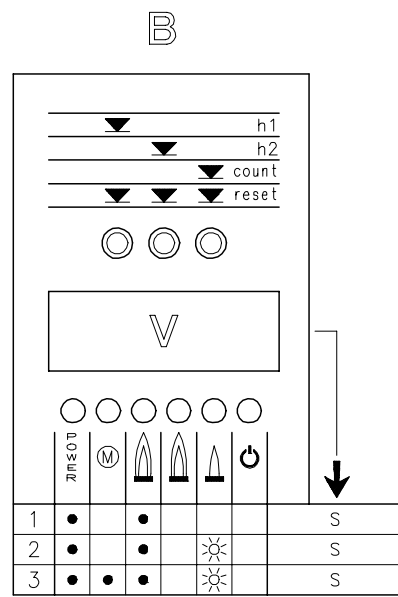
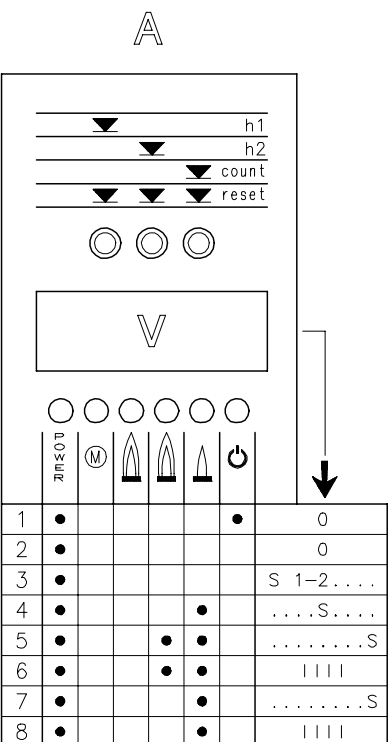
STATUS (por encomenda)

Montagem



- 1 Status
- 2 Conector
- 3 Suporte do queimador
- 4 Parafusos de fixação

D3057



D477

- ☀ = LED intermitente
- = LED aceso
- S = Tempo em segundos
- |||| = Fase de arranque terminada

(A)

STATUS

Acessório disponível por encomenda. ver página 2.

MONTAGEM

Os queimadores já estão preparados para receber o Status. Para a montagem agir como segue:

- Ligar o Status 1) por meio do conector 2) presente no suporte 3).
- Fixar o Status ao suporte utilizando os parafusos 4) que são fornecidos junto com o kit.

O STATUS cumpre três funções:

1 - O DISPLAY V INDICA AS HORAS DE FUNCIONAMENTO E O NÚMERO DE ARRANQUES DO QUEIMADOR

- Total de horas de funcionamento
- Carregar no botão "h1".
- Horas de funcionamento na 2ª chama
- Carregar no botão "h2".
- Horas de funcionamento na 1ª chama (calculadas)
- Total de horas - horas em 2ª chama.
- Número de acendimentos
- Carregar no botão "count"
- Por horas de funcionamento e nº de acendimentos a zero
- Premir os 3 botões "reset" (rearme) ao mesmo tempo.
- Memória permanente
- As horas de funcionamento e o nº de acendimentos permanecem em memória inclusive se for interrompida a corrente eléctrica.

2 - INDICA OS TEMPOS RELATIVOS À FASE DE ARRANQUE

Os LEDs acendem-se com a seguinte sequência; ver Fig. A:

- COM O TERMOSTATO TR FECHADO:
 - Queimador apagado, termostato TL aberto
 - 2 - Fecho do termostato TL
 - 3 - Arranque do motor:
 - inicia a contagem em segundos no display V
 - 4 - Activação da válvula 1ª chama
 - 5 - Activação da válvula 2ª chama
 - termina a contagem em segundos no display V
 - 6 - Ao fim de 10 segundos da etapa 5, aparece no display o código ||||: isto indica que a fase de arranque terminou.

COM O TERMOSTATO TR ABERTO:

- 1 - Queimador apagado, termostato TL aberto
- 2 - Fecho do termostato TL
- 3 - Arranque do motor:
 - inicia a contagem em segundos no display V
- 4 - Activação da válvula 1ª chama
- 7 - Ao fim de 30 segundos da etapa 4:
 - termina a contagem em segundos no display V
- 8 - Ao fim de 10 segundos da etapa 7, aparece no display o código ||||: isto indica que a fase de arranque terminou.

Os tempos em segundos que aparecem no display V indicam a sucessão das diferentes fases de arranque que são descritas na página. 13.

3 - EM CASO DE AVARIA DO QUEIMADOR, INDICA O MOMENTO EXACTO EM QUE OCORREU A ANOMALIA

Existem 3 combinações possíveis de LEDs acesos; ver Fig. (B). Sobre as causas da avaria, ver os números que há entre parênteses e a página. 16, para o seu significado.

- 1 (9 ÷ 10)
- 2 (11 ÷ 33)
- 3 (32)

Significado dos símbolos:

- POWER = Presença de corrente
- (M) = Bloqueio do motor ventilador (vermelho)
- (flame) = Bloqueio do queimador (vermelho)
- (flame) = Funcionamento 2ª chama
- (flame) = Funcionamento 1ª chama
- (power) = Fase de Espera do Programador led: aceso

D478

ACESSÓRIO (por encomenda):

- **STATUS** (ver página 15): código **3010322**

- **KIT PROTECÇÃO CONTRA AS RÁDIO-INTERFERÊNCIAS**

No caso de instalação do queimador em ambientes especiais sujeitos a rádio-interferências (emissão de sinais superiores a 10 V/m) devido a presença de INVERTER ou em aplicações onde os comprimentos das conexões do termóstato superem os 20 metros, está disponível um kit de protecção como interface entre a aparelhagem e o queimador.

QUEIMADOR	RL 190
Código	3010386

RIELLO

RIELLO S.p.A.
I-37045 Legnago (VR)
Tel.: +39.0442.630111
[http:// www.riello.it](http://www.riello.it)
[http:// www.rielloburners.com](http://www.rielloburners.com)