

Pressure jet burner



CODE	MODE	TYPE
3475982	PRESS 3G	608 T80

Thermal power	273 / 534 - 1186 kW - 234.800 / 459.200 - 1.020.000 kcal/h
Output	23 / 45 - 100 kg/h
Fuel	Gas oil, max. viscosity at 20 °C: 6mm ² /s (1.5 °E)
Electrical supply	Three-phase 220V +10% -10% ~ 60Hz without neutral 380V +10% -10% ~ 60Hz with neutral
Motor	7.4 A / 220V - 4.3 A / 380V
Ignition transformer	Primary: 1.8 A / 220V - Secondary: 1x 8 kV - 30 mA
Absorbed electrical power	2.05 kW

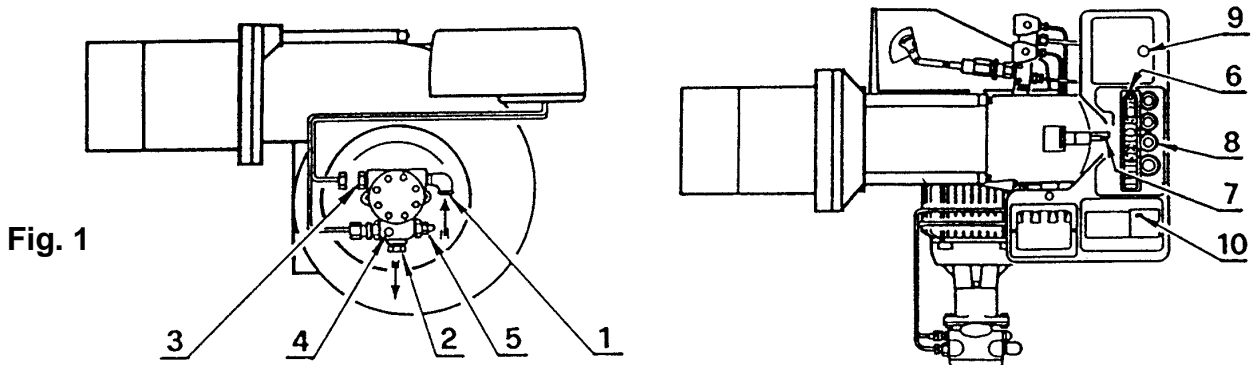
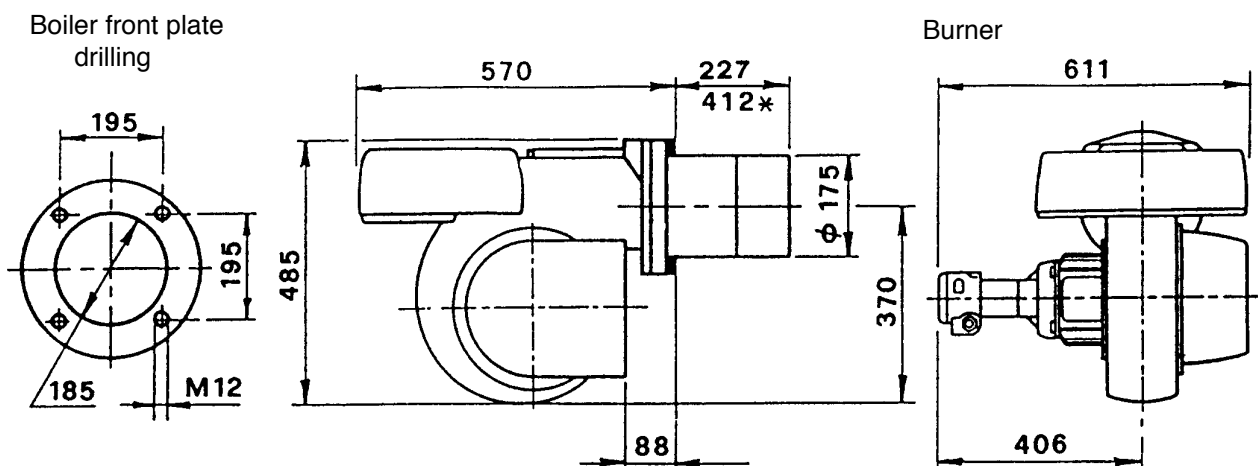


Fig. 1

- 1 - Suction line fitting
- 2 - Return line fitting
- 3 - Valve group return connection
- 4 - Pressure gauge fixing point (G 1/8)
- 5 - Pump pressure adjustment
- 6 - Wiring terminal block
- 7 - Combustion head control shaft
- 8 - Fair leads
- 9 - Control box reset button with signal of lock-out
- 10 - Motor relay lock-out reset button

Quantity	Accessories
2	Flexibles oil-lines
2	Connectors for flexibles
2	Gasket for flexibles
1	Flange gasket
4	Screws

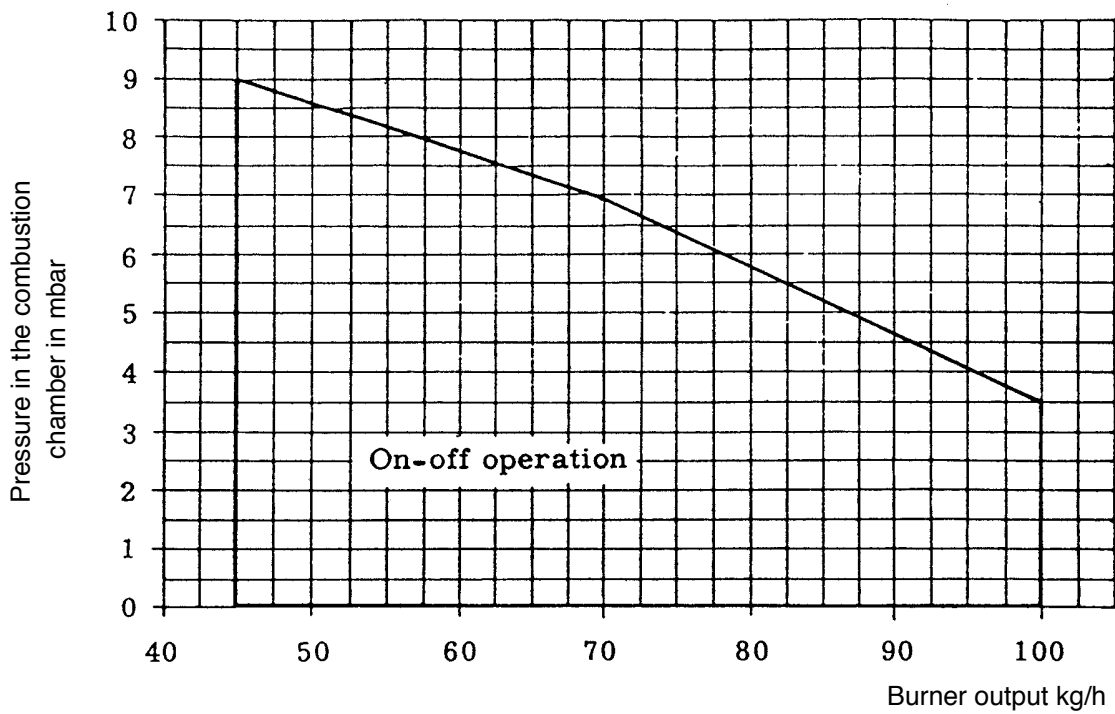
DIMENSIONS (mm)



* Length available with special blast tube to be separately required.

PRESSURE IN THE COMBUSTION CHAMBER - OUTPUT

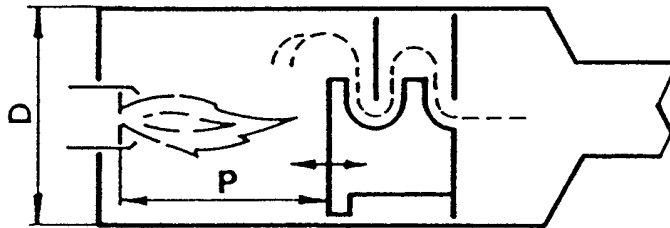
(in compliance with DIN 4787)



The burner is drawn for on-off operation and high-low operation.

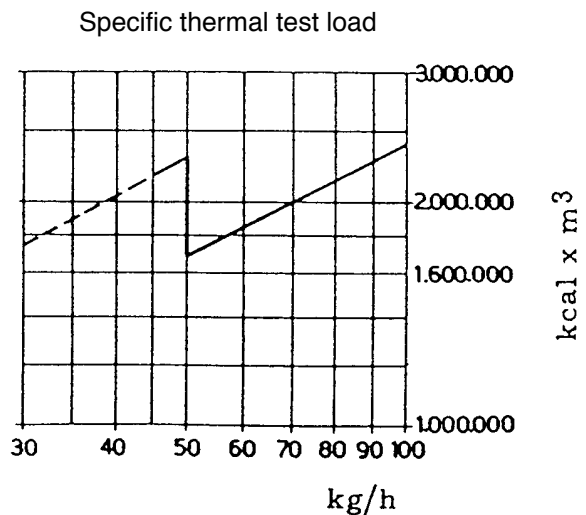
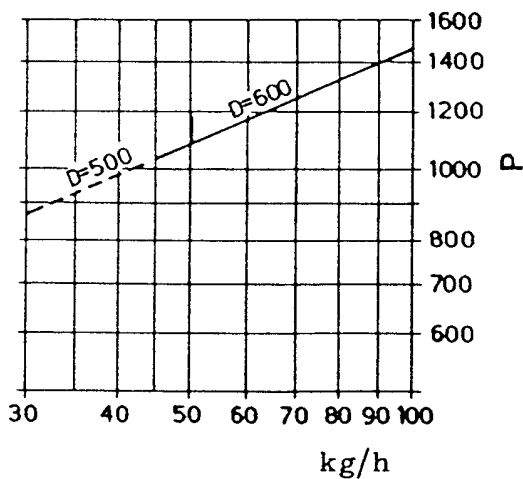
Minimum firing-rate at on-off operation is 45 kg/h (two nozzles) and 23 kg/h (one nozzle) with high-low operation.

DIMENSIONS OF THE TEST COMBUSTION-CHAMBER (DIN 4787)



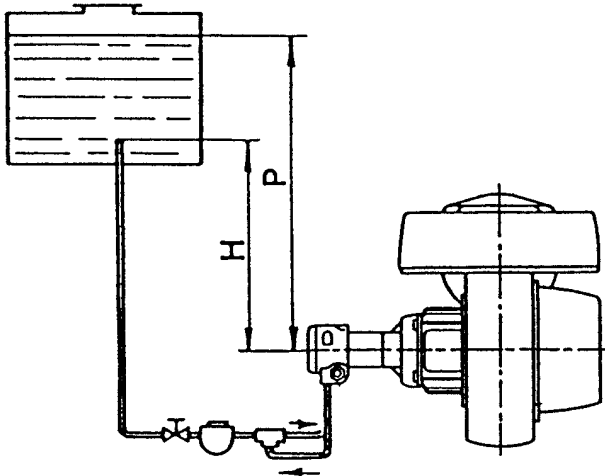
D = Boiler diameter in mm

P = Position of the mobile back in mm



HYDRAULIC SYSTEM

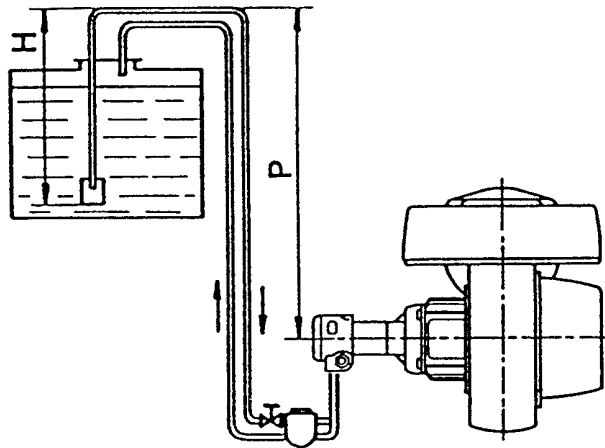
Gravity feed from the bottom of the oil storage tank



The dimension P should not exceed 10 m, to avoid breakage of pump seals.

H meters	L meters	
	I.D. 10 mm	I.D. 12 mm
0.5	4	10
1	8	20
1.5	12	30
2	16	40
2.5	20	50

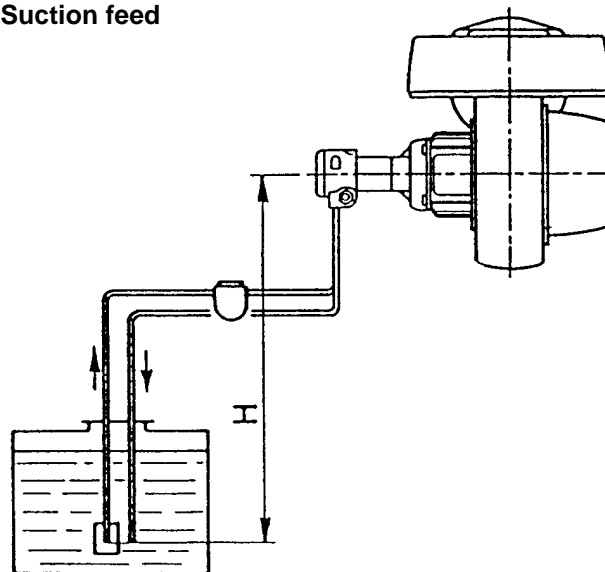
Gravity feed over the top of the oil storage tank



The dimension P should not exceed 10 m, to avoid breakage of pump seals.

H meters	L meters	
	I.D. 12 mm	I.D. 14 mm
0	45	70
0.5	40	60
1	35	50
2	20	30
3	10	15
3.5	-	7

Suction feed



Oil lines must be perfectly sealed. The use of copper pipe is therefore recommended. The pump suction must not exceed 4.5 m w.c. (35 cm Hg) because beyond this value the pump becomes noisy.

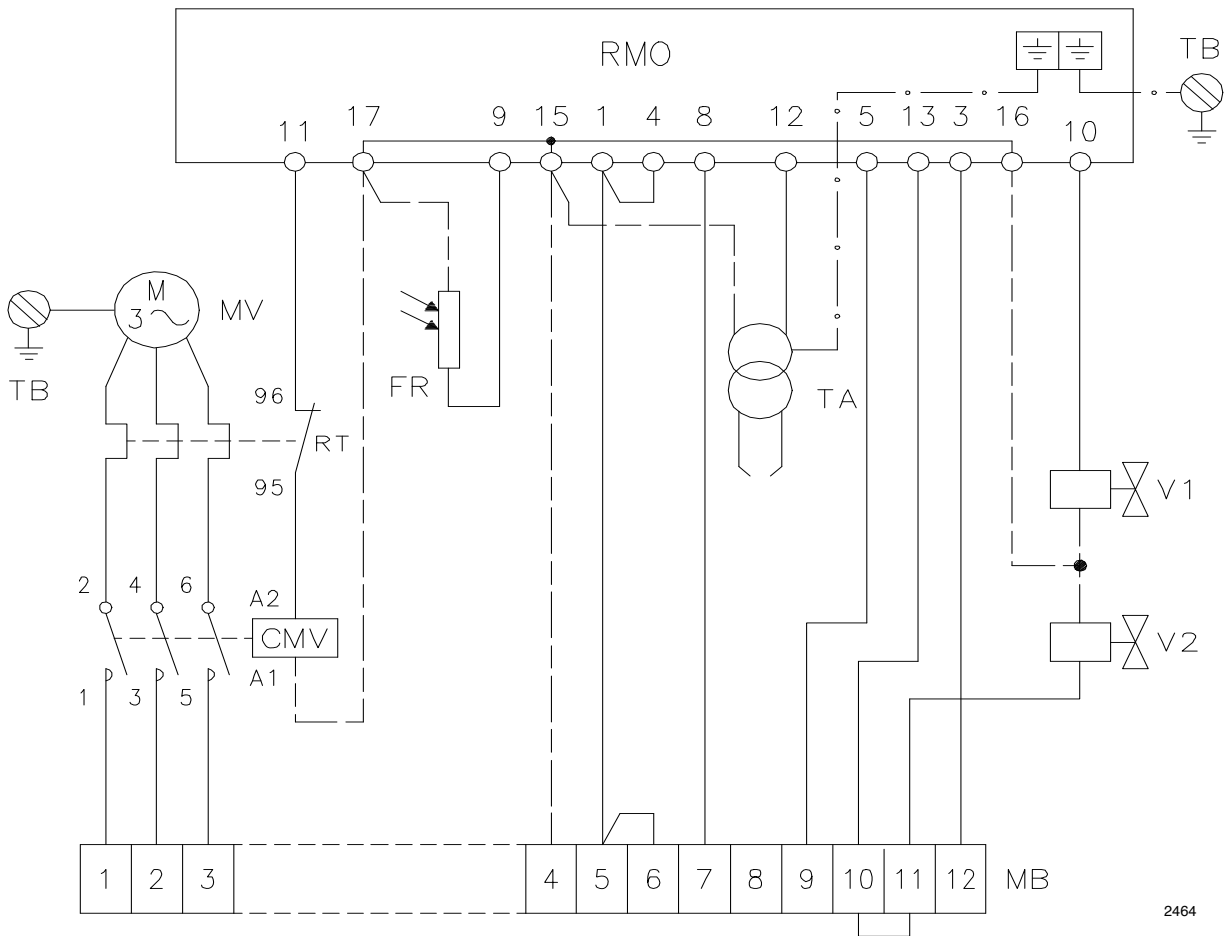
The return line must terminate at the same level as the foot valve; otherwise the pump may become air-locked.

H = Difference in height;

L = The total length of the suction line, including the vertical section.

The copper pipes of 12 mm and 14 mm I.D., as shown on the tables above, may be replaced by steel pipes of 1/2" or 3/4" Gas.

BURNER ELECTRICAL WIRING (carried out by the factory)

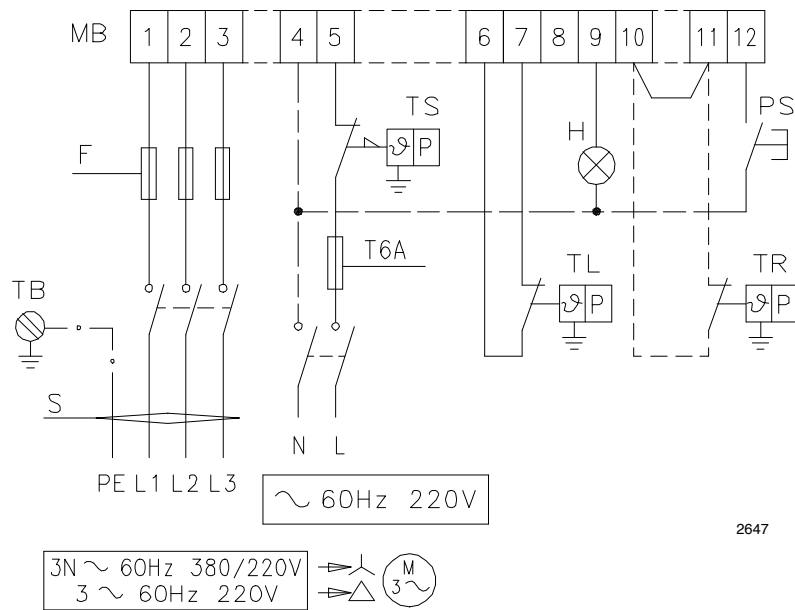


2464

KEY TO LAYOUT

CMV	Fan motor contact - maker	RT	Thermal cutout
FR	Photocell	TA	Ignition transformer
MB	Wiring terminal block	TB	Burner ground (earth) connection
MV	Fan motor	V1	1 st stage solenoid valve
RMO	Control box	V2	2 nd stage solenoid valve

ELECTRICAL CONNECTIONS TO THE WIRING TERMINAL BLOCK (to be carried out by the installer)



2647

KEY TO LAYOUT

	220V	380V
F Ampere	T16	T10
S mm ²	1,5	1,5

H Remote lock - out signal
MB Wiring terminal block
PS Lock - out reset button
TB Burner ground (earth) connection

TL Limit control device system
TR High - low mode control device system
TS Safety control device system

NOTICE

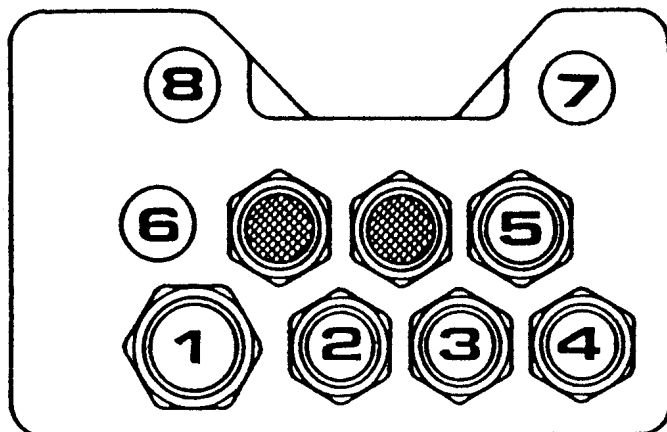
- The electric wiring carried out by the installer must be in compliance with the rules in force in the Country.
- Leads minimal section 1 mm².
- Adjustment for the motor thermal relay:
 - at the beginning of the scale for 380V
 - at the end of the scale for 220V

FLAME MODULATION

The flame modulation is obtainable through the thermostat, controlling the second valve, connected to the terminals 10 and 11, removing the existing bridge.

FIXING OF THE ELECTRICAL WIRES

All the electrical wires, which are to be connected to the terminal block 6) (fig. 1) shall pass through the fair leads 8) (fig. 1) as per this scheme.



- 1 - Three phase supply: fair lead Pg 21
- 2 - Single phase supply: fair lead Pg 13.5
- 3 - Adjustment thermostat: fair lead Pg 13.5
- 4 - Safety thermostat: fair lead Pg 13.5
- 5 - 2nd stage thermostat: fair lead Pg 13.5
- 6 - 7 - 8 - Pre-sheared holes

Further prospective signals or controls can be connected to the burner wiring terminal board by removing the metal weldnuts from the pre-sheared holes and inserting a common fair lead for the passage and the clamping of the leads.

NOTES

- Do not exchange the neutral wire with the phase (avoid the plug-pin connection).
- Carry out a safe earth connection.
- Verify the burner stop by opening the boiler thermostat and the burner lock-out by darkening the photo-resistance.

ACCESSORIES

RADIO DISTURBANCE PROTECTION KIT : CODE 3010386

If the burner is installed in places particularly subject to radio disturbance (emission of signals exceeding 10 V/m) owing to the presence of an INVERTER, or in applications where the length of the thermostat connections exceeds 20 metres, a protection kit is available as an interface between the control box and the burner.

BURNER ADJUSTMENT

Establish, on the basis of the output desired, and in accordance with the table and the diagram underneath:

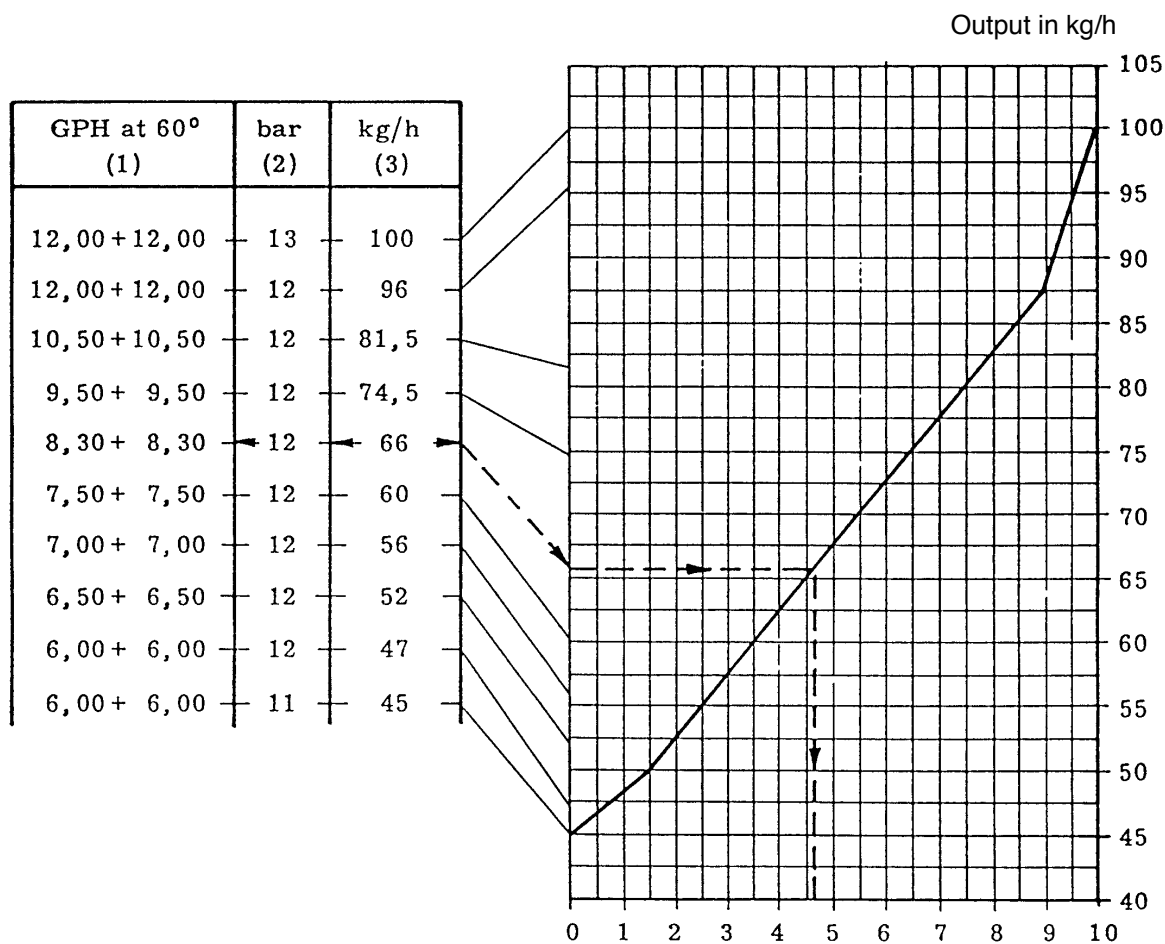
- the type of nozzle;
- the pump pressure;
- the combustion head setting.

EXAMPLE

The burner has to be matched with a boiler of 700 kW.

Assuming an efficiency of 90%, we need to develop approximately 778 kW i.e. burning roughly 66 kg/h.

In the output column we find, corresponding to 66, on the left, the required nozzles (2 of 8.30 GPH at 60°) the pump pressure (12 bar), and on the right the correct position of the combustion head (4.5 set-points).



(4) Adjustment of the head (N° of set - points)

(1) Nozzles of the major existing makers may be used.

It might well be possible however, that for certain specific outputs, one type of nozzle is less suitable than others. It is recommended not to change the atomizing angle.

(2) It is recommended not to go down to the 10 bar, otherwise the jack controlling the air damper will open with difficulty.

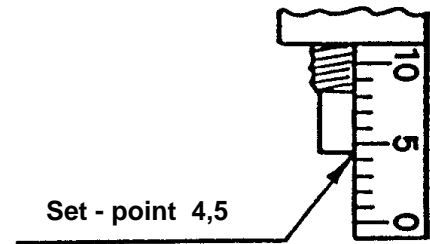
The pump pressure may be varied by acting on the screw 5) (fig. 1) and it can be controlled by placing a pressure switch on the pressure gauge 4) (fig. 1).

(3) The indicated outputs are drawn from the average statistical data of our tests.

Real output may well vary by $\pm 5\%$.

(4) The rear level of the control-shaft (7) (fig. 1) must line-up with the set-point number, indicated by the diagram.

In the sketch on the right, the shaft is shown, in the position required by the example on page 7.

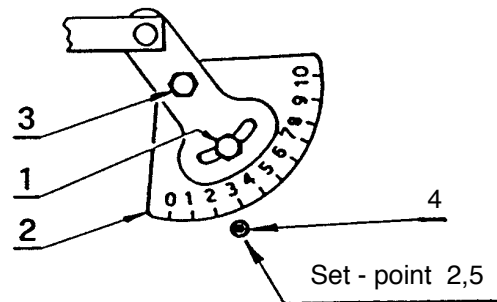


AIR DAMPER ADJUSTMENT

Air damper adjustment for the first flame

Loosen the screw (1), the nut (3) and move the graduated scale (2) so that the pointer (4) lines-up with the set-point desired; then tighten the screw (1) and the nut (3). A sufficiently exact control, valid for 12 bar and for the different boilers pressurizations is given by the following table:

Nozzle (GPH)	N° Set-point
6.00	1.5
6.50	2
7.00	2
7.50	2.5
8.30	2.5
9.50	3
10.50	3.5
12.00	4



On the sketch the graduated scale is shown, in the position required by the example on page 7.

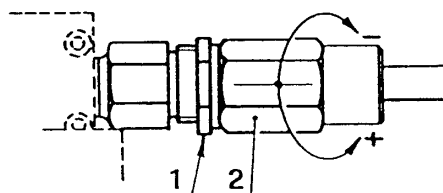
NOTE

For any necessary combustion adjustment, at the first flame stage, remove the bridge or the second stage thermostat (see page 5).

Regulation of the air damper for the second flame

Loosen the threaded locking-ring (1) and tighten the hexagon (2) in order to reduce flow; slacken the hexagon to increase flow.

This adjustment shall be modified, from time to time, in relation to the various combustion chambers pressurizations.



All burner controls are clearly indicated into the instruction.

Only the air damper adjustment for the second flame, is determined at the place of installation, depending on the boiler pressure.

ATTENTION

At the first ignition, passing from the first to the second flame, the oil pressure decrease noticeably because of the filling of the second nozzle line - this decreasing can cause the burner shutdown, sometimes with strong pulsations.

PRIMING THE PUMP

In case of a gravity feed system, from the bottom of the oil-storage tank, loosen the screw of the suction-gauge fixing point 3 (fig. 1), until the fuel flows out.

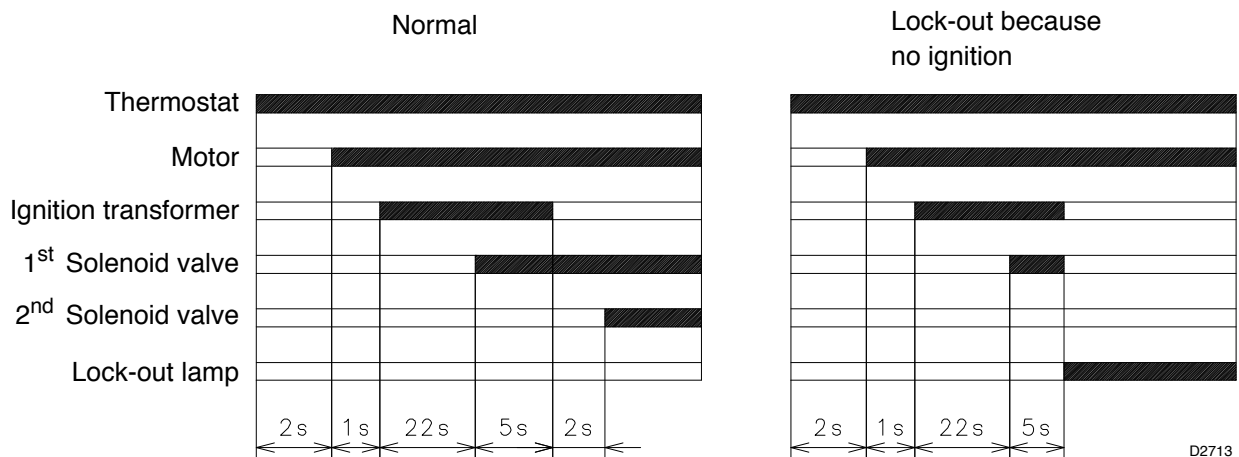
In the other two cases, remove the high voltage cable from the ignition transformer and release air from the pressure gauge fixing point, by loosening the screw 4 (fig. 1) do not light on the photo-resistor, because lock-out immediately will occur.

Should the burner go to lock-out re-set the control-box and repeat the cycle as often as necessary.

CAUTION

Check, before starting the burner, that the return line to the oil-storage tank is not in any way obstructed. Any obstruction would cause the breakage of the pump seal.

BURNER START-UP CYCLE 60Hz



MOTOR LOCK-OUT

This is caused by the thermal protector relay, in case of overloading, or by the lacking of the phase.

To reset pushdown the appropriate knob, after having removed the protective cover

RIELLO

RIELLO S.p.A.
I-37045 Legnago (VR)
Tel.: +39.0442.630111
[http:// www.riello.it](http://www.riello.it)
[http:// www.rielloburners.com](http://www.rielloburners.com)