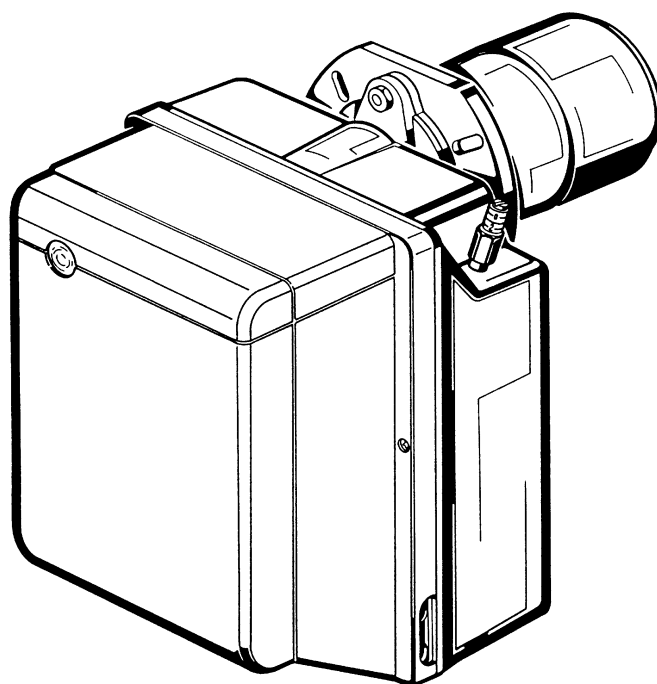


GB Light oil burner
E Quemador de gasóleo

Two stage operation
Funcionamiento de dos llamas



Gulliver

CODE - CÓDIGO

MODEL - MODELO

TYPE - TIPO

3739870

RG5DF

398T1

Declaration of conformity in accordance with ISO / IEC 17050-1

Manufacturer: RIELLO S.p.A.
 Address: Via Pilade Riello, 7
 37045 Legnago (VR)
 Product: Light oil burner
 Model: Gulliver RG5DF

These products are in compliance with the following Technical Standards:

EN 267
 EN 12100

and according to the European Directives:

MD	2006/42/EC	Machine Directive
LVD	2006/95/EC	Low Voltage Directive
EMC	2004/108/EC	Electromagnetic Compatibility

Such products are marked as follows:



CE - 0036 0325/01

The quality is guaranteed by a quality and management system certified in accordance with UNI EN ISO 9001.

Legnago, 03.09.2014

Executive General Manager
 RIELLO S.p.A. - Burner Department
 Mr. U. Ferretti

Research & Development Director
 RIELLO S.p.A. - Burner Department
 Mr. R. Cattaneo

Declaración de conformidad según ISO / IEC 17050-1

Fabricante: RIELLO S.p.A.
 Dirección: Via Pilade Riello, 7
 37045 Legnago (VR)
 Producto: Quemador de gasóleo
 Modelo: Gulliver RG5DF

Estos productos están conformes con las siguientes Normas Técnicas:

EN 267
 EN 12100

y según lo dispuesto por las Directivas Europeas:

MD	2006/42/CE	Directiva Máquinas
LVD	2006/95/CE	Directiva Baja Tensión
EMC	2004/108/CE	Compatibilidad Electromagnética

Estos productos están marcados como se indica a continuación:



CE - 0036 0325/01

La calidad está garantizada mediante un sistema de calidad y management certificado según UNE EN ISO 9001.

Legnago, 03.09.2014

Director general
 RIELLO S.p.A. - Dirección Quemadores
 Ing. U. Ferretti

Director Investigación y Desarrollo
 RIELLO S.p.A. - Dirección Quemadores
 Ing. R. Cattaneo

INDEX

1. BURNER DESCRIPTION	1	4. WORKING	8
1.1 Burner equipment	1	4.1 Combustion adjustment	8
2. TECHNICAL DATA	2	4.2 Recommended nozzles	8
2.1 Technical data	2	4.3 Combustion head setting	9
2.2 Accessories	2	4.4 Electrodes adjustment	9
2.3 Overall dimensions	3	4.5 Pump pressure and air output	10
2.4 Firing rate	3	4.6 Burner start-up cycle	10
3. INSTALLATION	4	5. MAINTENANCE	11
3.1 Heat generator fixing	4	6. FAULTS / SOLUTIONS	12
3.2 Working position	4		
3.3 Fuel supply	5		
3.4 Hydraulic systems	5		
3.5 Electrical wiring	7		

1. BURNER DESCRIPTION

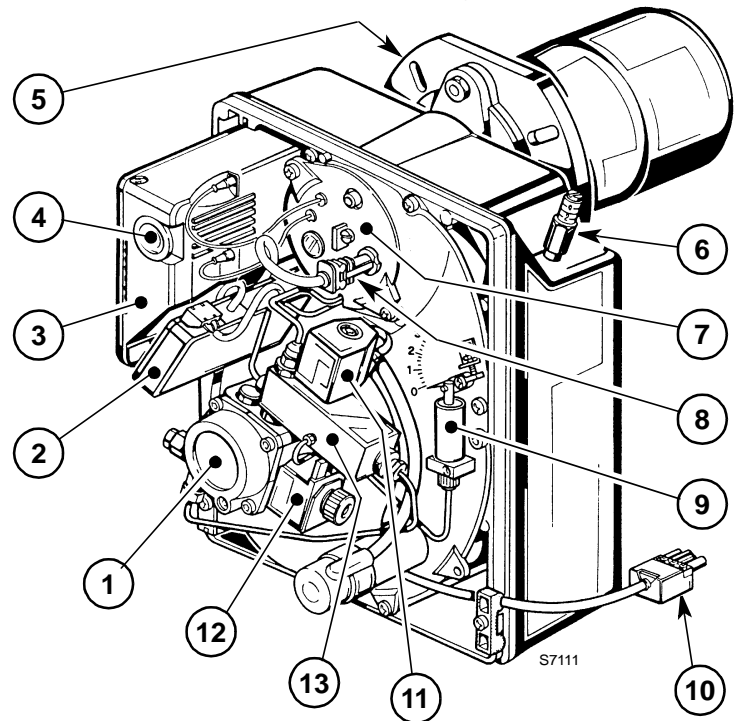
Two stage light oil burner.

ATTENTION

If the burner is to be combined with a hot air generator in Germany (WLE according to DIN 4794), the control box must be replaced with a Riello 550 SMD control box (remove the bridge), and the flame sensor must be replaced with the amplified type (both fully interchangeable). This control box, combined with the "remote reset kit" (which can be ordered separately), means that the burner can be reset by remote control.

- 1 – Pump
- 2 – Electronic start delaying device
- 3 – Control-box
- 4 – Reset button with lock-out lamp
- 5 – Flange with insulating gasket
- 6 – 2nd stage air damper adjustment assembly
- 7 – Nozzles holder assembly
- 8 – Photoresistance
- 9 – Hydraulic jack
- 10 – 4 pole socket
- 11 – 2nd stage valve
- 12 – 1st stage valve
- 13 – Valve casing assembly

Fig. 1



1.1 BURNER EQUIPMENT

Flange with insulating gasketNo. 1	Screw and nuts for flange to be fixed to the heat generator. . . No. 4
Screw and nuts for flangeNo. 1	Flexible oil pipes with nipples No. 2
7 pin plugNo. 1	4 pin plug No. 1

2. TECHNICAL DATA

2.1 TECHNICAL DATA

TYPE	398T1	
Output - Thermal power	8 / 12 – 25 kg/h – 95 / 142 – 296 kW	
Fuel	Light oil, viscosity 4 – 6 mm ² /s at 20 °C	
Electrical supply	Single phase ~ 50Hz 220/230V ± 10%	Single phase ~ 60Hz 220/230V ± 10%
Motor	Run current 1.8 A – 2750 rpm 289 rad/s	Run current 2.6 A – 2940 rpm 309 rad/s
Capacitor	8 µF	
Ignition transformer	Secondary 8 kV – 16 mA	
Pump	Pressure: 8 – 15 bar	
Absorbed electrical power	0.4 kW	0.575 kW

2.2 ACCESSORIES (optional):

EXTENDED HEAD KIT

The burner's combustion head can be replaced by the long-headed version using a special kit, to be ordered separately.

Refer to the instructions supplied with it for installation.

The kit must be installed in conformity with laws and local regulations.

SPACER KIT

There is a special kit available that, when mounted on the burner, lets you reduce head penetration in the combustion chamber.

Refer to the instructions supplied with the "spacer kit" for installation.

The kit must be installed in conformity with laws and local regulations.

550 SMD CONTROL BOX AND INFRARED FLAME SENSOR

A more efficient control box is available on request, for teaming with hot air generators, with the following features:

- spark reset function;
- switch for post-firing and recycle;
- indicator LED reporting various operating stages:
(green LED = motor operating; yellow LED = pre-heating stage; red LED = post-combustion);
- socket for remote reset and reset function in case of failed shutdown.

Refer to the instructions supplied with the control box for installation.

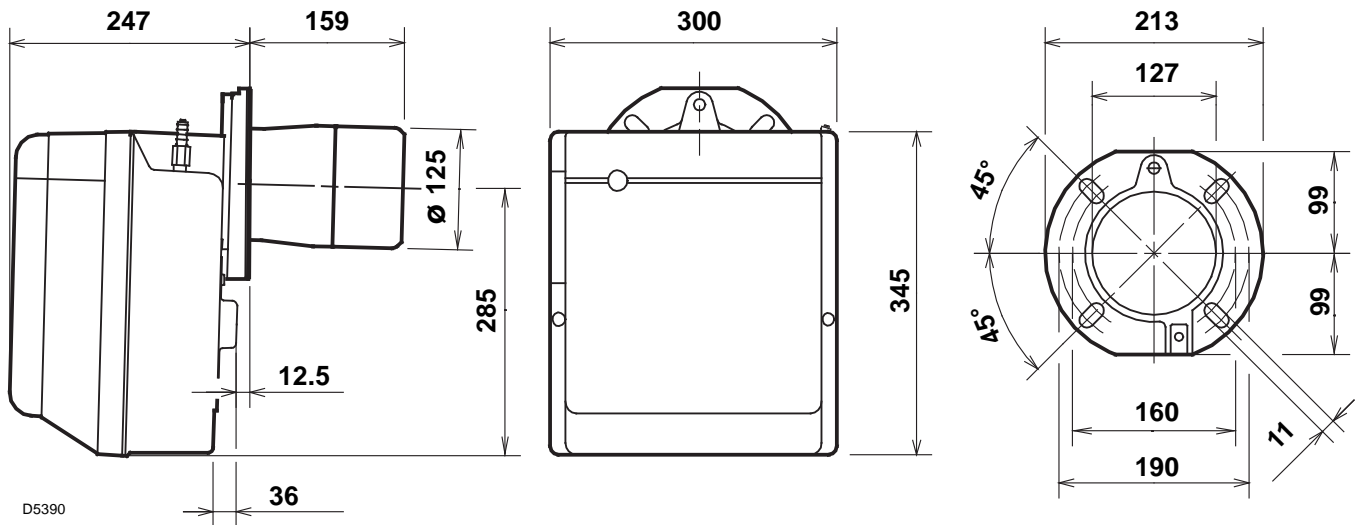
The kit must be installed in conformity with laws and local regulations.

REMOTE RESET KIT

There is a special kit available that, when mounted on the 550 SMD control box, lets you reset the burner by remote control.

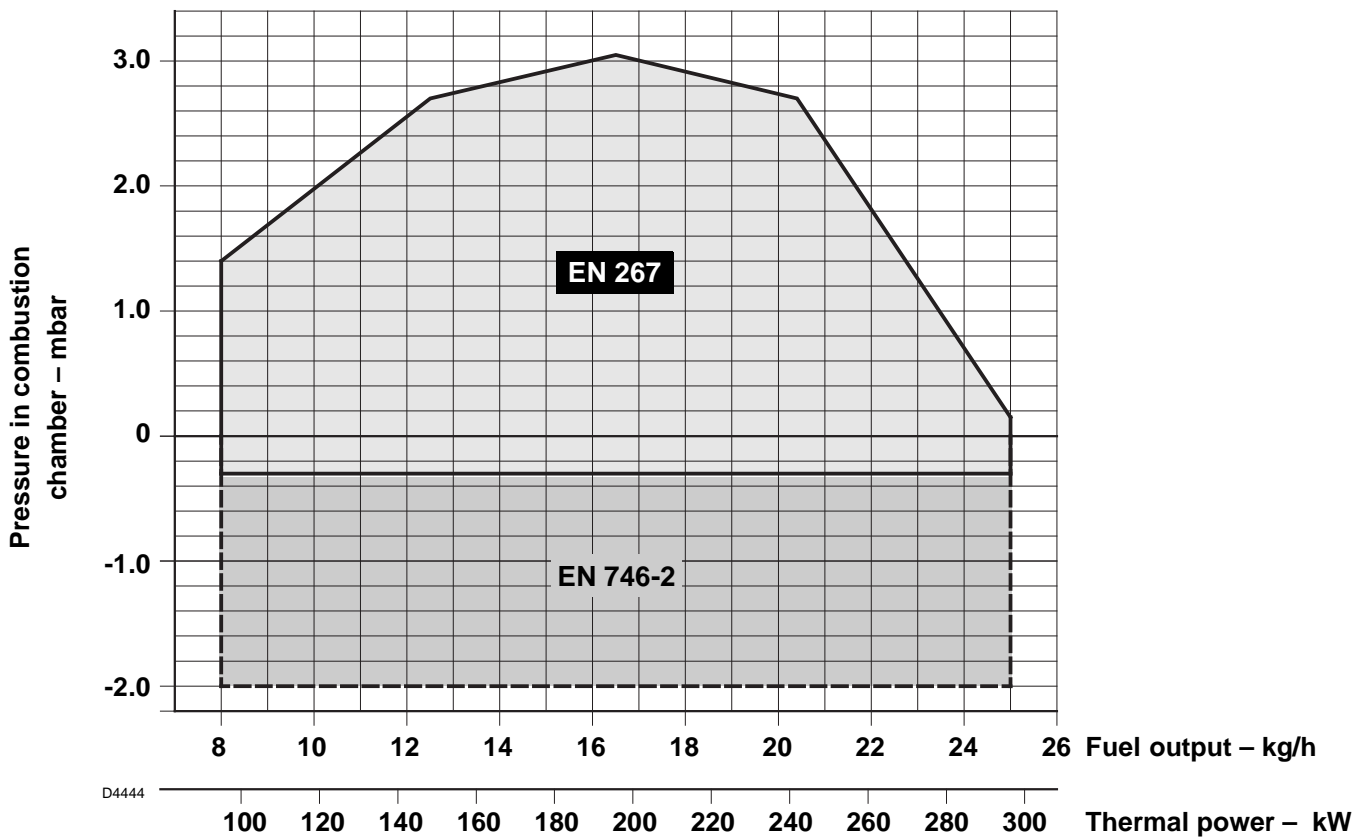
The kit must be installed in conformity with laws and local regulations.

2.3 OVERALL DIMENSIONS



2.4 FIRING RATE

Firing rate has been determined in conformity with the provision of standard **EN 267** (from 3.1 to - 0.3 mbar). In addition, burner can be applied for operation with the combustion chamber featuring negative pressure (up to - 2 mbar) according to the approval terms provided for in standard **EN 746-2** for the whole unit complete with equipment.



3. INSTALLATION

THE BURNER MUST BE INSTALLED IN CONFORMITY WITH LEGISLATION AND LOCAL STANDARDS.

3.1 HEAT GENERATOR FIXING

- Put on the flange (1) the screw and two nuts, (see fig. 3).
- Widen, if necessary, the insulating gasket holes (4), (see fig. 4).
- Fix the flange (1) to the heat generator door (3) using screws (5) and (if necessary) the nuts (2) **interposing the insulating gasket (4)**, (see fig. 2).
- After installation ensure that burner is lightly inclined as in fig. 5.

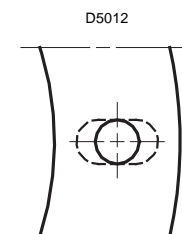
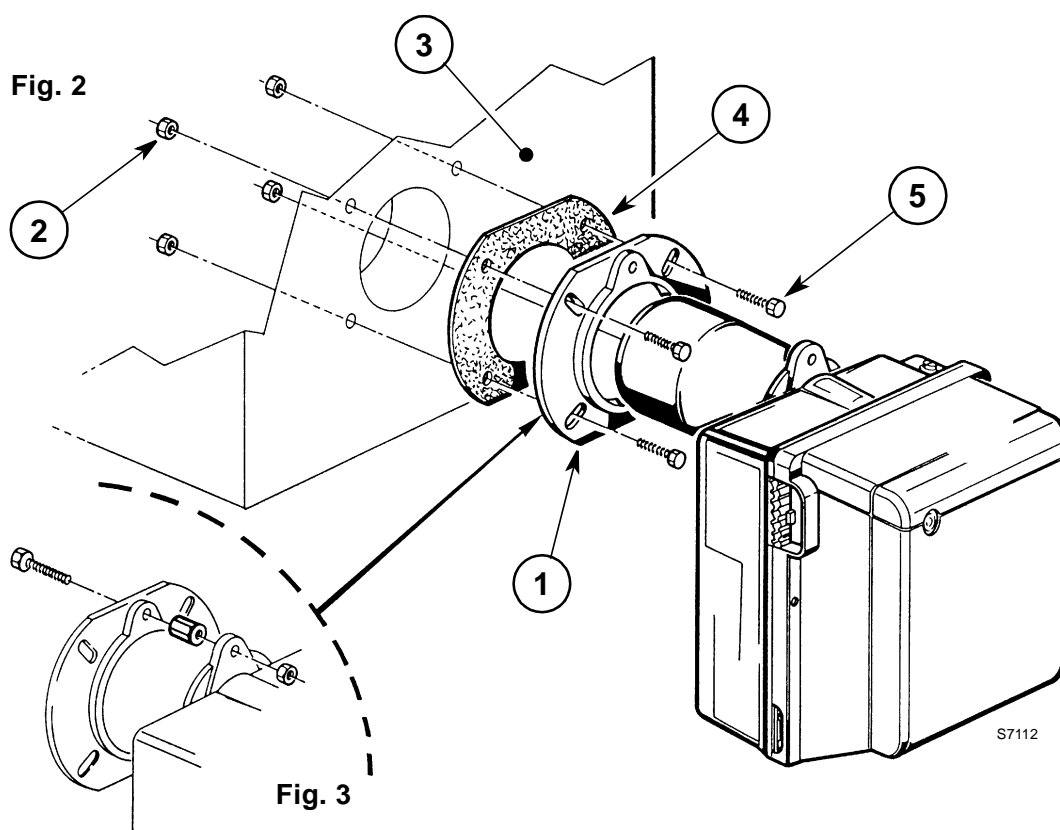


Fig. 4

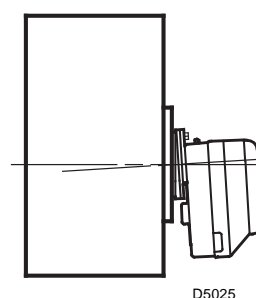


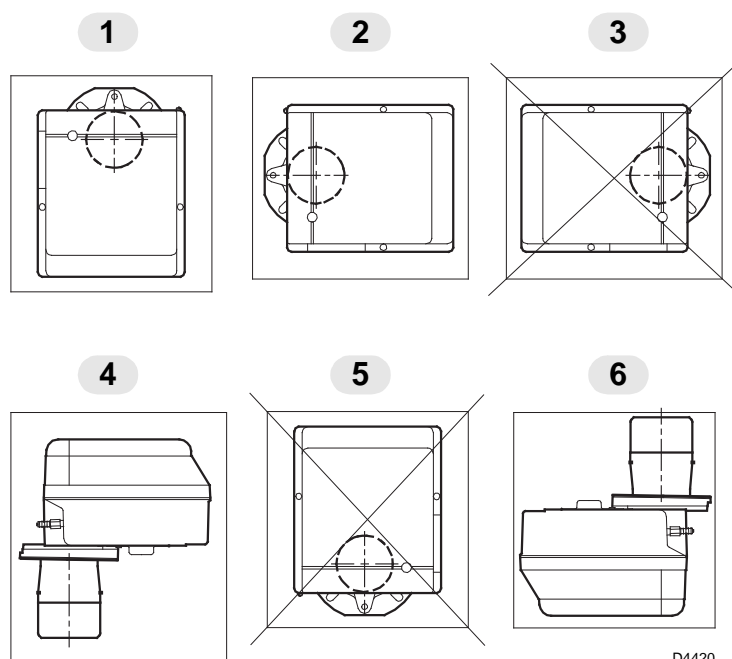
Fig. 5

3.2 WORKING POSITION

The burner is designed to work only in the positions 1, 2, 4 and 6.

Any other position could compromise the correct working of the appliance.

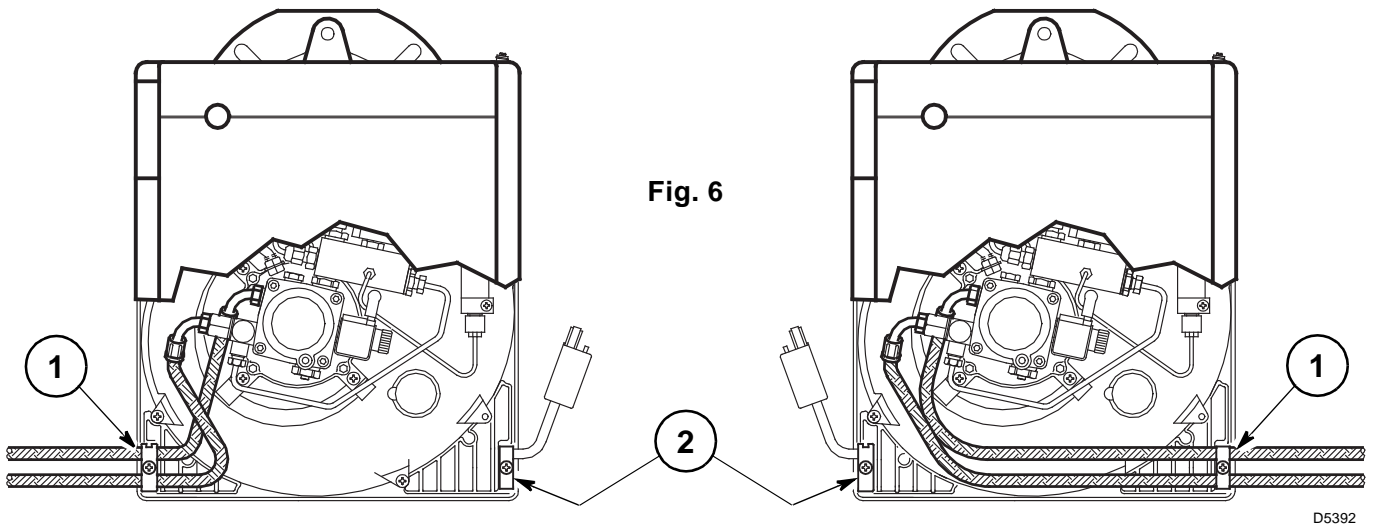
Installations 3 and 5 are forbidden for safety reasons.



D4420

3.3 FUEL SUPPLY

The burner is designed to allow entry of the oil supply pipes on either side. Depending on the oil supply pipes position (to the right or to the left hand side of the burner) the fixing plate (1) and cable clamp (2) should be reversed, (see fig. 6).



D5392

3.4 HYDRAULIC SYSTEMS

► It is necessary to install a filter on the fuel supply line.

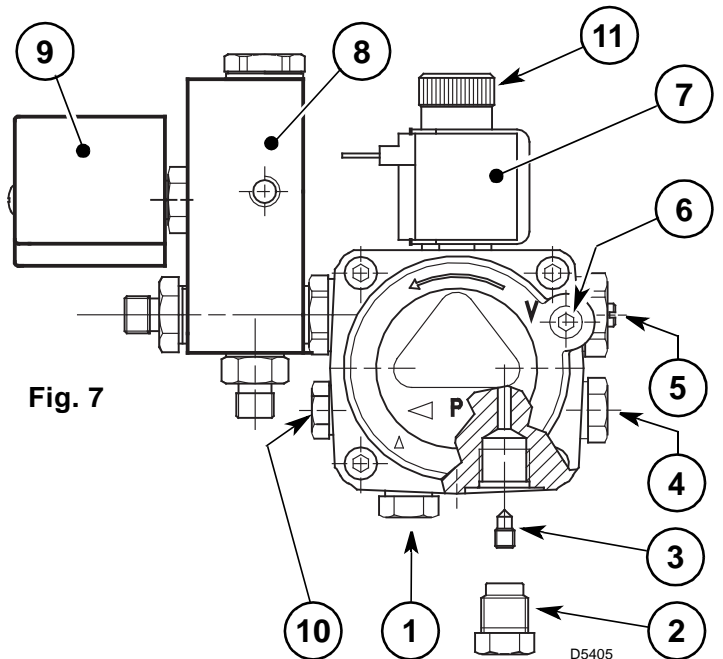
PUMP (see fig. 7)

- The pump is designed to allow working with two pipes.
- In order to obtain one pipe working it is necessary to unscrew the return plug (2), remove the by-pass screw (3) and then screw again the plug (2) with a torque of 0.5 Nm.
- Before starting the burner make sure that the return pipe-line is not clogged. An excessive back pressure (\bar{S} 1 bar) would cause the damage of the pump seal, with subsequent fuel leaks inside the burner.

The pump has a delivery pressure regulation device (5). Pressure increases if turned in a clockwise direction, and decreases if turned in the other direction.

An indication of sensitivity is 1 bar per turn. The pressure can be regulated in a range of 8 - 15 bar.

Do not loosen the knob (11) and periodically check that it is firmly fixed, for safety reasons.



D5405

- 1 - Suction line
- 2 - Return line
- 3 - By-pass screw
- 4 - Gauge connection
- 5 - 2nd stage pressure adjuster
- 6 - Suction gauge connection
- 7 - 1st stage valve
- 8 - Valve casing assembly
- 9 - 2nd stage valve
- 10 - Auxiliary pressure test point
- 11 - Knob

PRESSURISED ONE PIPE SYSTEMS (fig. 8)

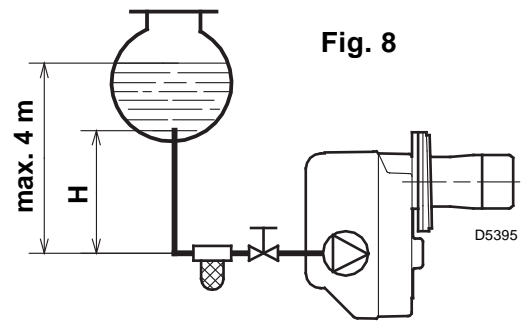
Pressurised systems have a positive fuel pressure on intake to the burner. Usually the tank is higher than the burner, or the fuel pumping systems are on the outside of the heat generator.

In the system in fig. 8, the table shows the maximum indicated lengths for the supply line, depending on the difference in level, length and the diameter of the oil pipes.

PRIMING PUMP

It is sufficient to loosen the suction gauge connection (6, fig. 7) and wait until oil flows out.

SYSTEM NOT PERMITTED IN GERMANY



H meters	L meters	
	I. D. 8 mm	I. D. 10 mm
0.5	10	20
1	20	40
1.5	40	80
2	60	100

DEPRESSURISED SYSTEMS (fig. 9 and 10)

Depressurised systems have a negative fuel pressure (depression) on intake to the burner. Usually the tank is lower than the burner.

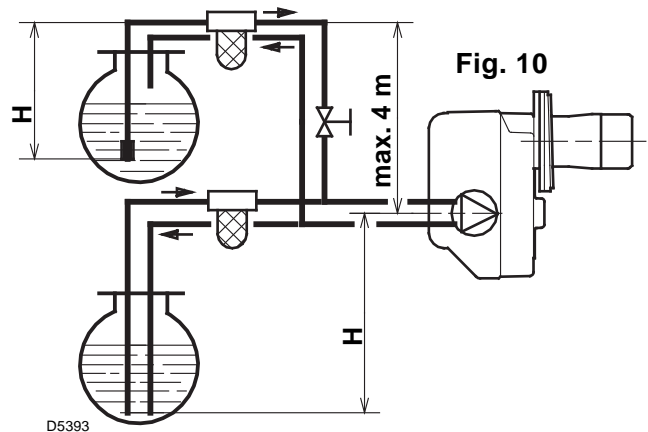
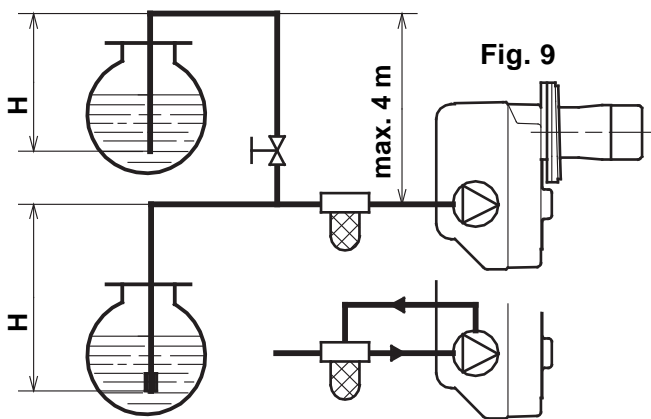
In the systems in figs. 9 and 10, the table shows the maximum indicated lengths for the supply line, depending on the difference in level, length and the diameter of the oil pipes.

PRIMING PUMP

On the systems in figs. 9 and 10 start the burner and wait for the priming. Should lock-out occur prior to the arrival of the fuel, await at least 20 seconds before repeating the operation.

In two pipe vacuum systems (fig. 10) the return line should terminate within the oil tank at the same level as the suction line. In this case a non-return valve is not required.

Should however the return line arrive over the fuel level, a non-return valve is required. This solution is less reliable than the previous one, as the valve seal could be damaged.



NOTES VALID FOR ALL SYSTEMS

The installer must ensure that the supply depression is not above 0.4 bar (30 cm Hg). Above that level, gas leaks out from the fuel.

The pipes must all be perfectly sealed.

H = difference of level; L = max. length of the suction line;
I. D. = internal diameter of the oil pipes

H meters	L meters	
	I. D. 8 mm	I. D. 10 mm
0	35	100
0.5	30	100
1	25	100
1.5	20	90
2	15	70
3	8	30
3.5	6	20

3.5 ELECTRICAL WIRING

WARNING

**DO NOT EXCHANGE
NEUTRAL WITH PHASE**

~ 50/60Hz 220/230V

NOTES:

- Wires of min. 1 mm² section. (Unless requested otherwise by local standards and legislation).
- The electrical wiring carried out by the installer must be in compliance with the rules in force in the Country.

● **Connect 2nd stage thermostat between clamps T6 - T8 by removing the bridge.**

TESTING: Check the shut-down of the burner by opening the thermostats and the lock-out by **darkening** the photoresistance.

TO BE DONE BY THE INSTALLER

CARRIED-OUT IN THE FACTORY

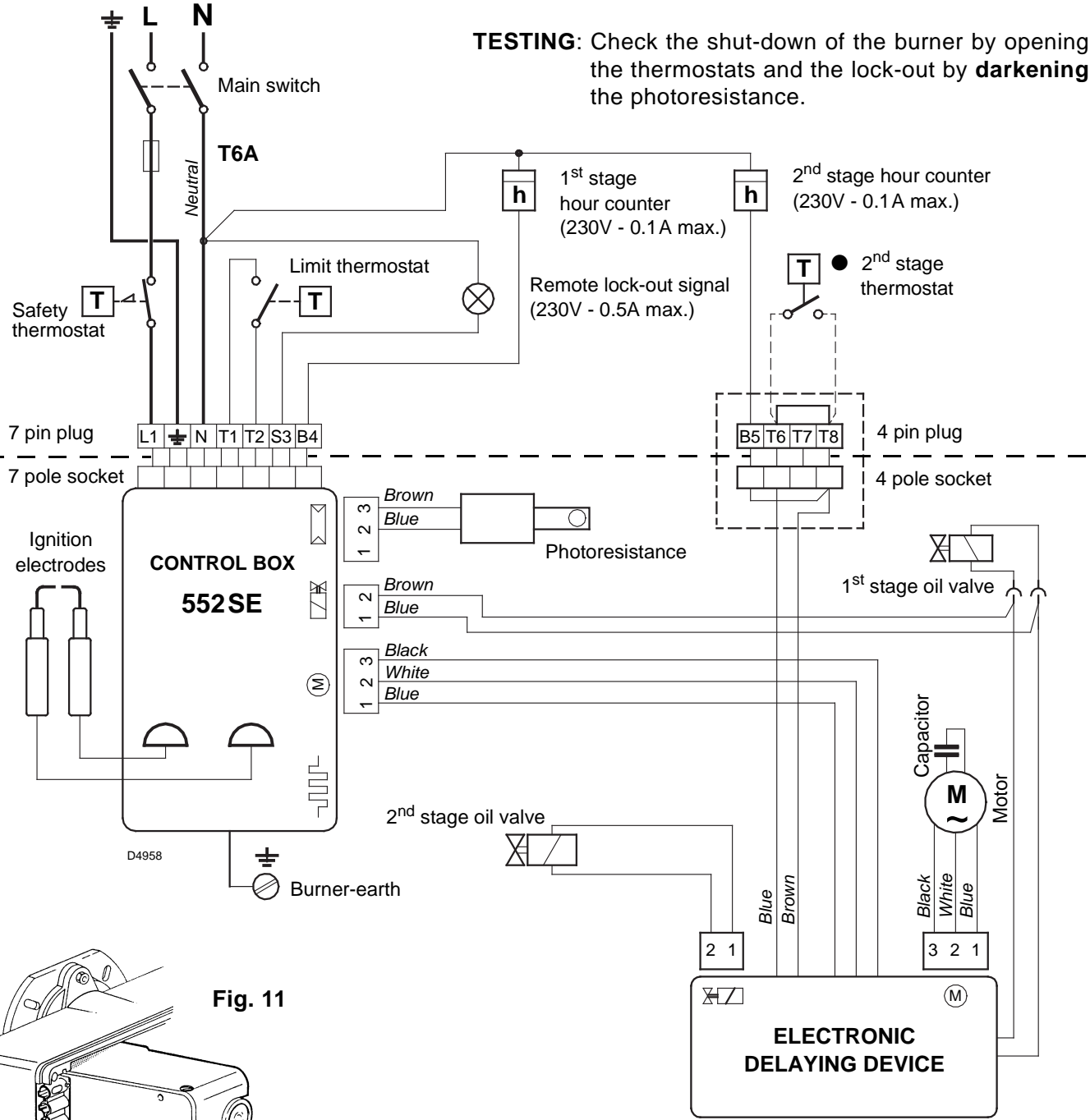
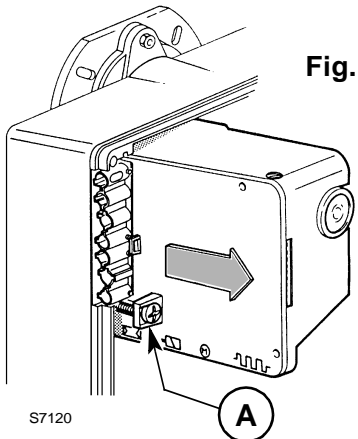


Fig. 11



CONTROL BOX

To remove the control-box from the burner, loosen screw (A, fig. 11) and pull to the arrow direction, after removing all components, the 7 pin plug and earth wire.

In case of disassembly of the control box, retighten the screw (A) with a torque wrench setting of 1 – 1.2 Nm.

4. WORKING

4.1 COMBUSTION ADJUSTMENT

In conformity with Efficiency Directive EEC/92/42, the installation of the burner to the heat generator, setting and testing must all be performed in respect of the instruction manual for the heater, including the controls on the concentration of CO and CO₂ in the flue gases, the flue gas temperature and the average water and air temperatures in the generator.

To suit the required appliance output, choose the proper nozzle and adjust the pump pressure, the setting of the combustion head, and the air damper opening in accordance with the following schedule.

The values given in the table refer to a CEN boiler (in accordance with EN 267). They refer to 12.5% of CO₂, at sea level, room temperature and light oil temperature at 20°C, 50 Hz power frequency and combustion chamber counterpressure at 0.

Nozzles		Angle	Pump pressure	Burner output		Combustion head adjustment	Air damper adjustment	
GPH				kg/h ± 4%			1 st stage	2 nd stage
1 st stage	2 nd stage	60°	bar	1 st stage	2 nd stage	Set-point	Set-point	Set-point
2.00	1.00				12	8.0	12.4	0
2.00	2.00		12	8.0	16.4	3	0.15	3.0
2.50	2.50		12	10.3	20.5	6	0.3	4.4
3.00	3.00		12.5	12.6	25.0	8	0.6	6.0

ATTENTION

The values given in the table are just an indication; to get the best performance from the burner, the regulations should be made on the basis of the effective requirements of the generator.

With 60Hz power frequency, the burner must be re-set, closing the air damper, so that the amount of intake air is reduced.

4.2 RECOMMENDED NOZZLES

Delavan type W - B;

Steinen type Q;

Danfoss type S.

NOTE

If necessary, the 1st stage nozzle can have a capacity 50% above the total capacity.

The 1st stage nozzle should not have a capacity 50% less than the total capacity, as the flame could be unstable.

REPLACE THE NOZZLES, (fig. 12 and 13)

To replace the nozzles proceed as follows:

- Disconnect the rubber coated leads (4) from the control box and slide out the photocell (5).
- Loosen the screws (2) and unscrew the nuts (3).
- Slide out the rubber coated leads (4) from the electrodes, unscrew and remove the screws (9, fig. 13, page 9) in the diffuser disc unit (8, fig. 13, page 9).
- Pull out the nozzle holder assembly (1) turning it slightly in a clockwise direction.

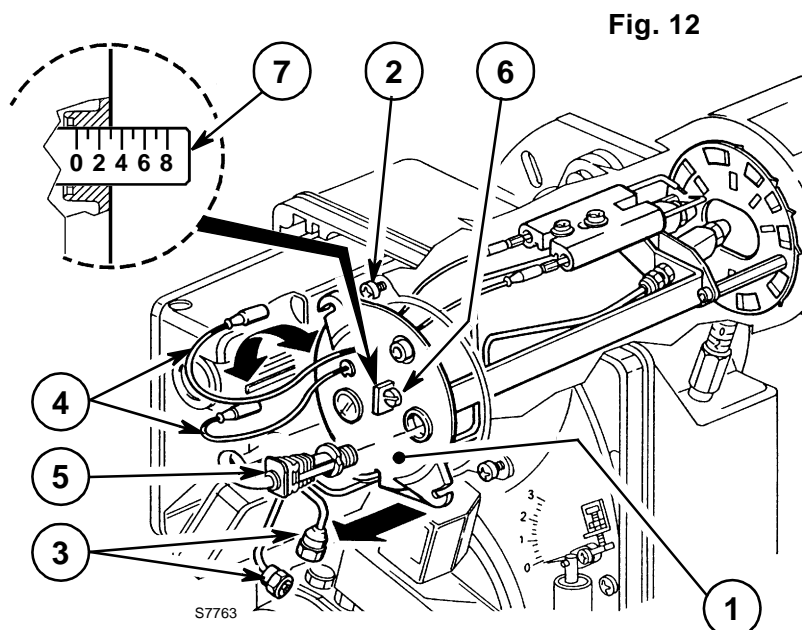


Fig. 12

- Change and screw down the nozzles (10) tightening them as shown in the figure.
- Reassemble the unit following the above instructions in reverse, replacing the nozzle holder assembly (1) in its original position.

ATTENTION

During the reassembly of the nozzle-holder assembly screw the nuts (3) as shown in the figure below.

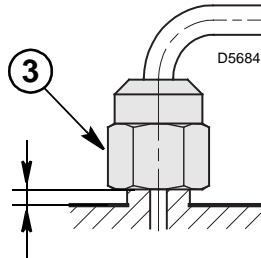
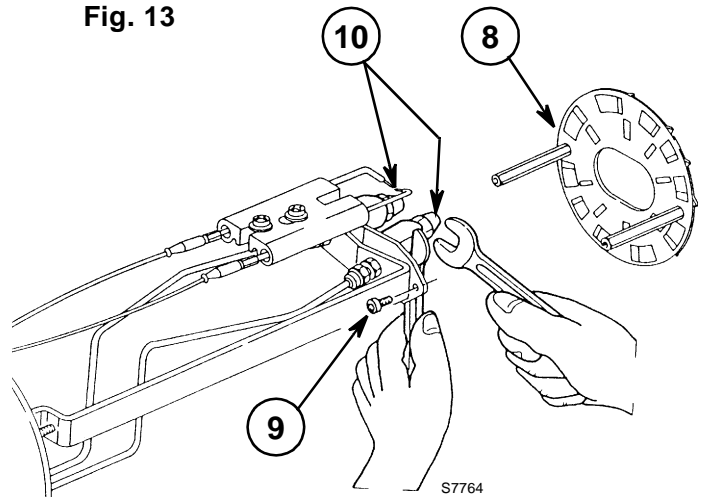


Fig. 13



4.3 COMBUSTION HEAD SETTING (see fig. 12, page 8)

It depends on the output of the burner.

It is set by turning the setting screw (6) in a clockwise or anticlockwise direction, until the set point on the regulation rod (7) is level with the outside plane of the nozzle holder assembly (1).

Figure 12 shows the head regulation rod (7) set on set point 3.

According to the values given in the table, the head is set for a delivery of 2.00 + 2.00 GPH, with pump pressure at 12 bar.

4.4 ELECTRODES ADJUSTMENT, (see fig. 14)

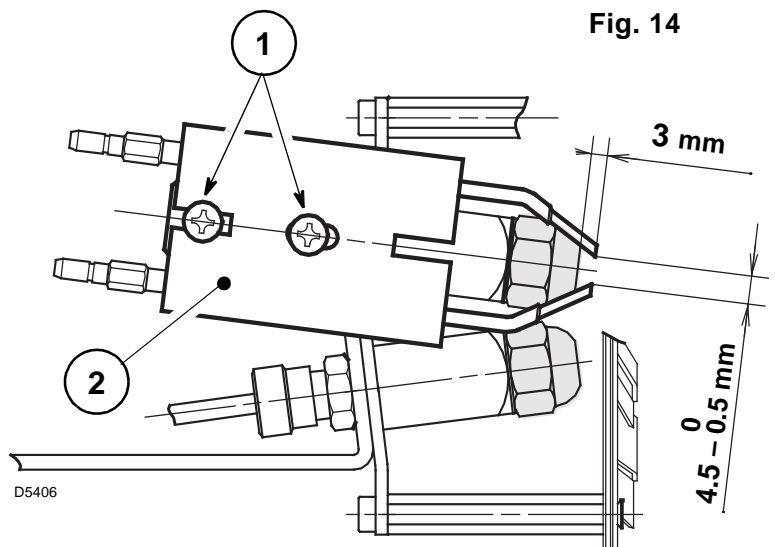
ATTENTION

THE GIVEN DISTANCES MUST BE RESPECTED.

For prospective adjustments loosen screws (1) and move the electrodes assembly (2).

To have access to the electrodes carry out operation as described in **chapter “4.2 RECOMMENDED NOZZLES”** (page 8).

Fig. 14



4.5 PUMP PRESSURE AND AIR OUTPUT, (see fig. 15 and 16)

1st STAGE ADJUSTMENT

ADJUSTMENT OF AIR SHUTTER, (see fig. 15)

- Loosen the nut (1), turn the screw (2).
- Turn the indicator (3) to the required position.
- Tighten the nut (1).

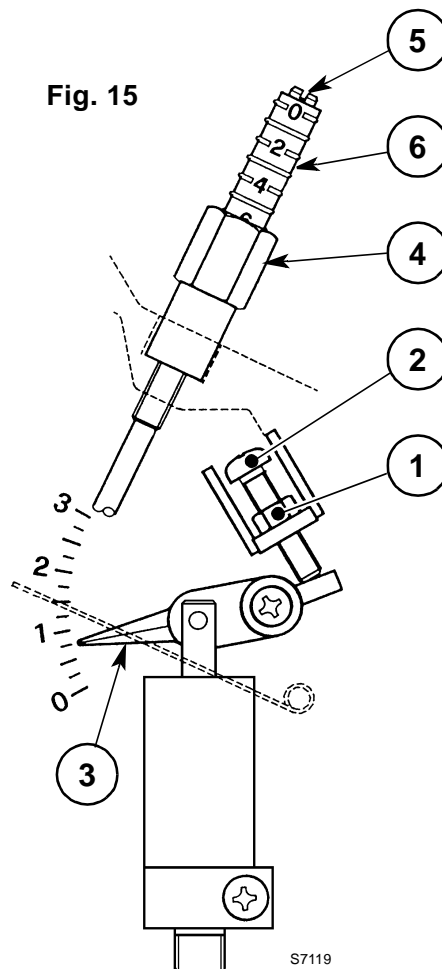
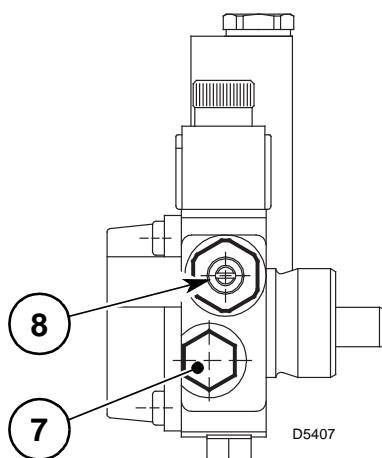
2nd STAGE ADJUSTMENT

ADJUSTMENT OF AIR SHUTTER, (see fig. 15)

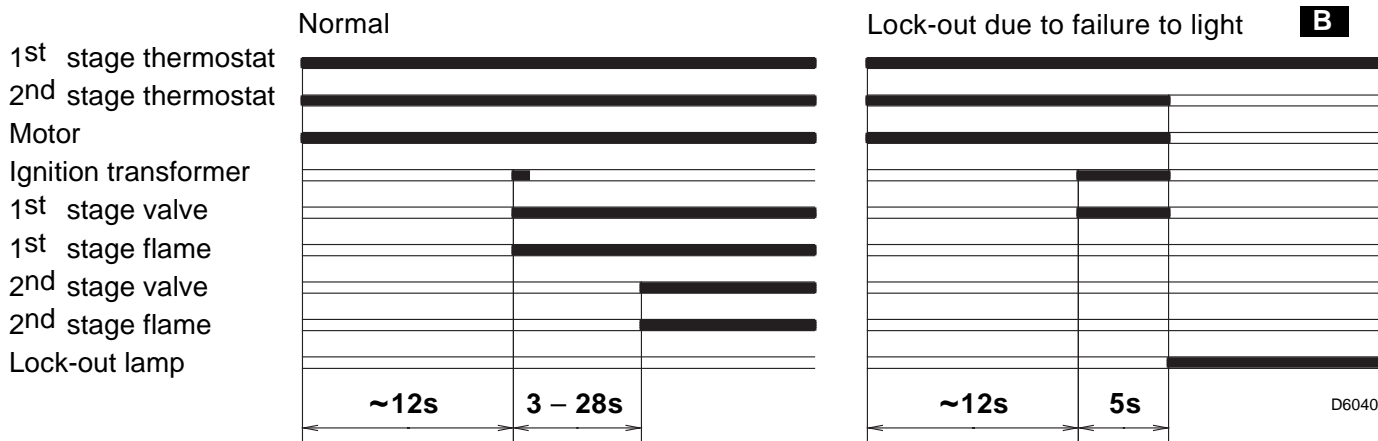
- Loosen the nut (4), turn the screw (5) until the indicator (6) is in the required position.
- Tighten the nut (4).

PRESSURE REGULATION

This is set at 12 bar at the factory.
If required, reset the pressure or if it needs changing, just turn the screw (8).
The pressure control pressure gauge should be mounted in place of the plug (7), (as in fig. 16).



4.6 BURNER START-UP CYCLE



B Lock out is indicated by a lamp on the control box (4, fig. 1, page 1).

5. MAINTENANCE

The burner requires periodic maintenance carried out by a qualified and authorised technician **in conformity with legislation and local standards**.

Maintenance is essential for the reliability of the burner, avoiding the excessive consumption of fuel and consequent pollution.

Before carrying out any cleaning or control always first switch off the electrical supply to the burner acting on the main switch of the system.

THE BASIC CHECKS ARE:

- Check that there are not obstructions or dents in the supply or return oil pipes.
- Clean the filter in the oil suction line and in the pump.
- Clean the photoresistance, (8, fig. 1, page 1).
- Check for correct fuel consumption.
- Replace the nozzles (fig. 13, page 9) and check the correct position of electrodes (fig. 14, page 9).
- Clean the combustion head in the fuel exit area, on the diffuser disc.
- Leave the burner working without interruptions for 10 min. and check the right settings at 1st and 2nd stage of all components stated in this manual.

Then carry out a combustion check verifying:

- Smoke temperature at the chimney;
- Content of CO₂ (%);
- Content of CO (ppm);
- Smoke value according to opacity smokes index according to Bacharach scale.

6. FAULTS / SOLUTIONS

Here below you can find some causes and the possible solutions for problems that could cause a failure to start or a bad working of the burner.

A fault usually makes the lock-out lamp light which is situated inside the reset button of the control box (4, fig. 1, page 1).

When lock out lamp lights the burner will attempt to light only after pushing the reset button. After this if the burner functions correctly, the lock-out can be attributed to a temporary fault.

If however the lock out continues the cause must be determined and the solution found.

FAULTS	POSSIBLE CAUSES	SOLUTION
The burner doesn't start when the limit thermostat closes.	Lack of electrical supply.	Check presence of voltage in the L1 - N clamps of the 7 pin plug.
		Check the conditions of the fuses.
		Check that safety thermostat is not lock out.
	The photoresistance sees false light.	Eliminate the light.
	Thermostats are faulty.	Replace them.
Burner runs normally in the prepurge and ignition cycle and locks out after 5 seconds ca.	The photoresistance is dirty.	Clear it.
	The photoresistance is defective	Change it.
	Flame moves away or fails.	Check pressure and output of the fuel.
		Check air output.
		Change nozzle.
		Check the coil of solenoid valve 1 st stage.
Burner starts with an ignition delay.	The ignition electrodes are wrongly positioned.	Adjust them according to the instructions of this manual.
	Air output is too high.	Set the air output according to the instructions of this manual.
	Nozzle dirty or worn.	Replace it.

WARNING

The manufacturer cannot accept responsibility for any damage to persons, animals or property due to error in installation or in the burner adjustment, or due to improper or unreasonable use or non observance of the technical instruction enclosed with the burner, or due to the intervention of un-qualified personnel.

ÍNDICE

1. DESCRIPCIÓN DEL QUEMADOR	1	4. FUNCIONAMIENTO	8
1.1 Forma de suministro	1	4.1 Ajuste de la combustión	8
2. DATOS TÉCNICOS	2	4.2 Boquillas aconsejadas	8
2.1 Datos técnicos	2	4.3 Regulación cabezal de combustión	9
2.2 Accesorios	2	4.4 Regulación de los electrodos	9
2.3 Dimensiones	3	4.5 Presión bomba y caudal de aire	10
2.4 Campo de trabajo	3	4.6 Ciclo de puesta en marcha	10
3. INSTALACIÓN	4	5. MANTENIMIENTO	11
3.1 Fijación al generador de calor	4	6. ANOMALÍAS / SOLUCIONES	12
3.2 Posición de funcionamiento	4		
3.3 Alimentación de combustible	5		
3.4 Instalación hidráulica	5		
3.5 Conexiones eléctricas	7		

1. DESCRIPCIÓN DEL QUEMADOR

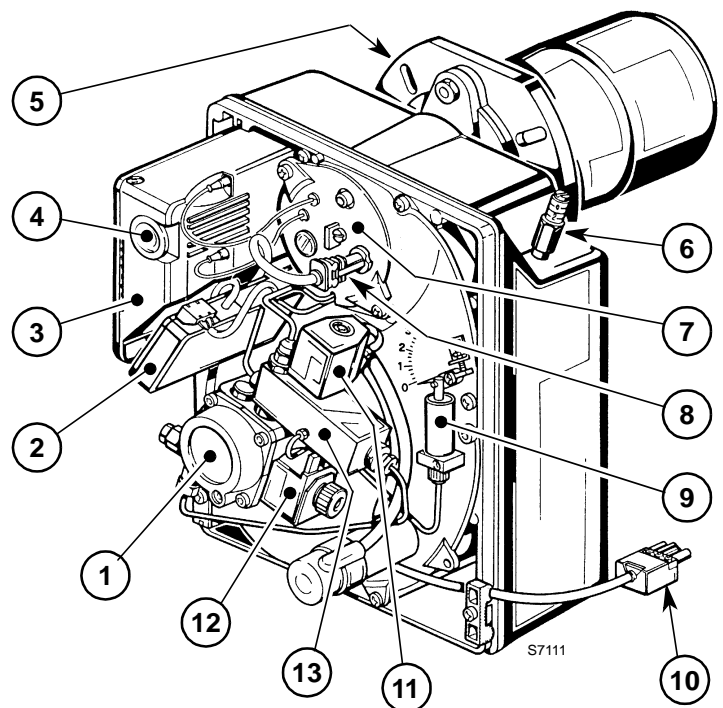
Quemador de gasóleo de dos llamas de funcionamiento.

ATENCIÓN

Para combinar el generador con generadores de aire caliente en Alemania (WLE según DIN 4794) hay que sustituir la caja de control por la de tipo Riello 550 SMD (quitar el puente) y el sensor llama por el tipo amplificado (ambos intercambiables totalmente). Dicha caja de control, combinada con el "Kit desbloqueo a distancia" (que hay que pedir por separado), también permite gobernar la función de desbloqueo remoto.

- 1 – Bomba de combustible
- 2 – Retardador electrónico
- 3 – Caja de control
- 4 – Botón de rearme con señalización de bloqueo
- 5 – Brida con junta aislante
- 6 – Conjunto regulación registro del aire 2ª llama
- 7 – Conjunto portaboquilla
- 8 – Fotorresistencia
- 9 – Hidráulico del aire
- 10 – Conector hembra de 4 contactos
- 11 – Electroválvula 2ª llama
- 12 – Electroválvula 1ª llama
- 13 – Conjunto cuerpo válvula

Fig. 1



1.1 FORMA DE SUMINISTRO

- Brida con junta aislante N° 1
- Tornillo y tuerca para brida N° 1
- Conector macho de 7 contactos . . . N° 1

- Tornillos y tuercas para brida fijación al generador . . N° 4
- Tubos flexibles con racords N° 2
- Conector macho de 4 contactos N° 1

2. DATOS TÉCNICOS

2.1 DATOS TÉCNICOS

TIPO	398T1	
Caudal - Potencia térmica	8 / 12 ÷ 25 kg/h – 95 / 142 ÷ 296 kW	
Combustible	Gasóleo, viscosidad 4 ÷ 6 mm ² /s a 20 °C	
Alimentación eléctrica	Monofásica ~ 50Hz 220/230V ± 10%	Monofásica ~ 60Hz 220/230V ± 10%
Motor	1,8 A absorbidos – 2750 rpm 289 rad/s	2,6 A absorbidos – 2940 rpm 309 rad/s
Condensador	8 µF	
Transformador de encendido	Secundario 8 kV – 16 mA	
Bomba	Presión: 8 ÷ 15 bar	
Potencia eléctrica absorbida	0,4 kW	0,575 kW

2.2 ACCESORIOS (optional):

KIT PROLONGACIÓN CABEZAL

El cabezal de combustión del quemador puede sustituirse con la versión cabezal largo utilizando un kit especial, que se ha de pedir por separado.

Para su instalación, refiérase a las instrucciones que lo acompañan.

El kit debe instalarse de conformidad con las leyes y normas locales.

KIT DISTANCIADOR

Hay disponible un kit especial que, instalado en el quemador, permite reducir la penetración del tubo llama en la cámara de combustión.

Para instalar el “kit distanciador” véanse las instrucciones que lo acompañan.

El kit debe instalarse de conformidad con las leyes y normativas locales.

CAJA DE CONTROL 550 SMD Y SENSOR LLAMA POR INFRARROJOS

Bajo pedido, hay disponible una caja de control más eficiente, para acoplarla con generadores de aire caliente, que tiene las siguientes características:

- función de restablecimiento chispa;
- interruptor para post-encendido y recirculación;
- led de señalización de las distintas etapas de funcionamiento:
(led verde = funcionamiento motor, led amarillo = etapa de precalentamiento, led rojo = poscombustión);
- conector para rearme a distancia y función de rearme por falta de apagado.

Para la instalación de la caja de control refiérase a las instrucciones que la acompañan.

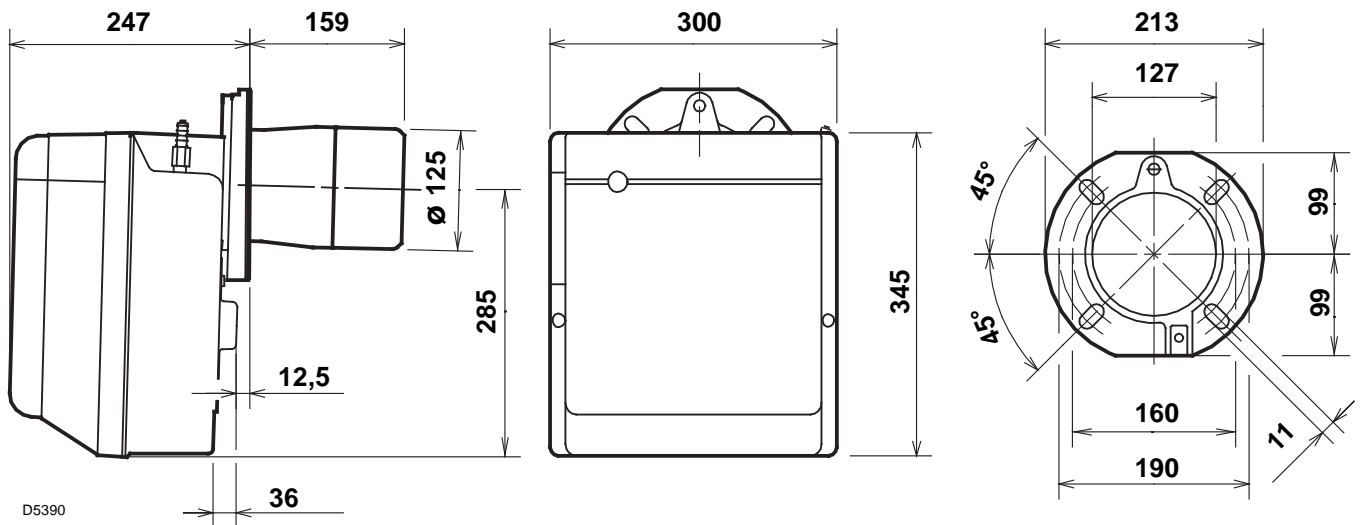
El kit debe instalarse de conformidad con las leyes y normativas locales.

KIT DE REARME A DISTANCIA

Hay disponible un kit especial que, instalado en la caja de control 550 SMD, permite rearmar el quemador a distancia.

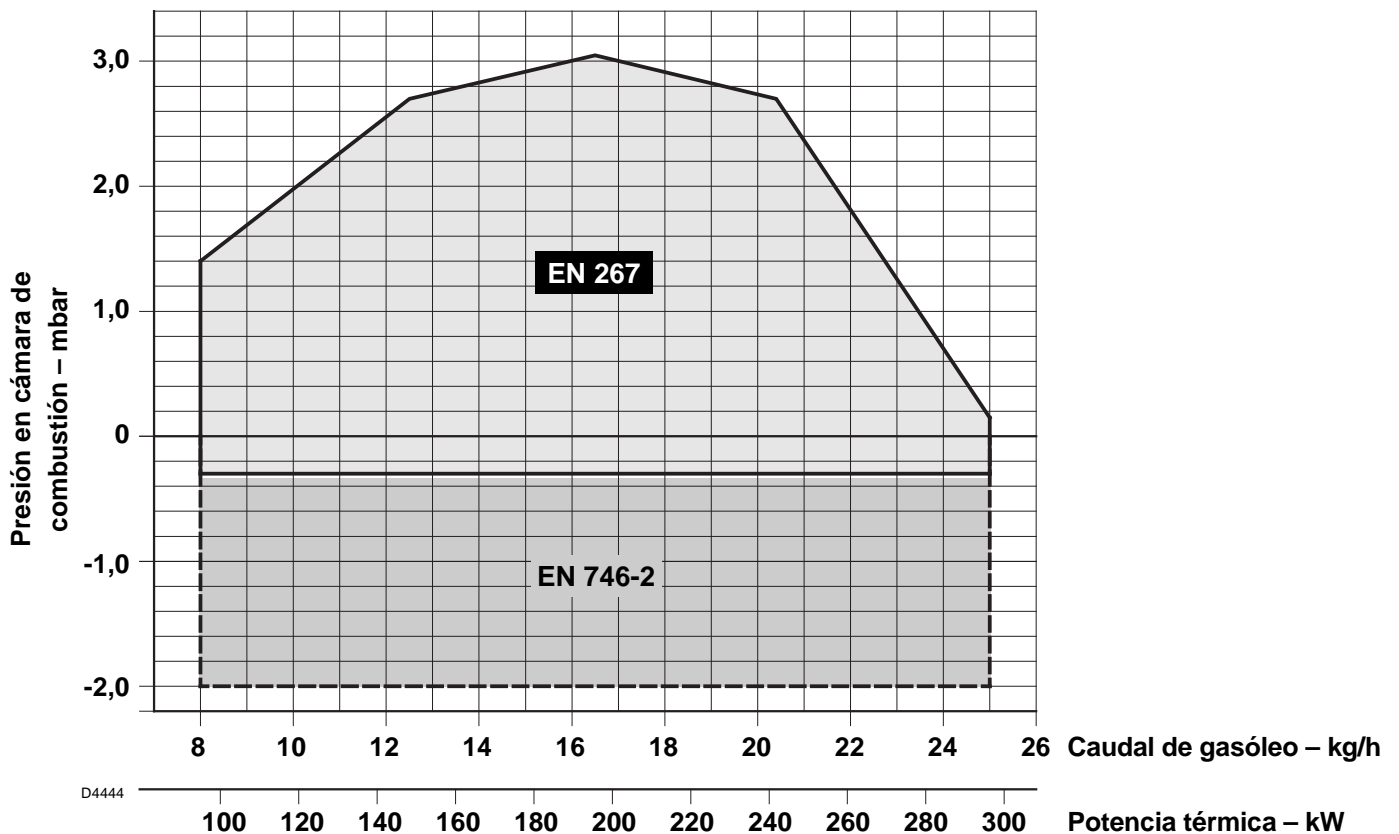
El kit debe instalarse de conformidad con las leyes y normativas locales.

2.3 DIMENSIONES



2.4 CAMPO DE TRABAJO

Los campos de trabajo han sido definidos según las disposiciones de la norma **EN 267** (de 3,1 a - 0,3 mbar). El quemador puede utilizarse para funcionamiento con cámara de combustión bajo vacío (hasta - 2 mbar), según las condiciones de aprobación previstas por la norma **EN 746-2** para el aparato entero equipado.



3. INSTALACIÓN

EL QUEMADOR SE DEBE INSTALAR DE CONFORMIDAD CON LAS LEYES Y NORMATIVAS LOCALES.

3.1 FIJACIÓN AL GENERADOR DE CALOR

- Introducir en la brida (1) el tornillo y las dos tuercas, (ver fig. 3).
- Alargar, si es necesario, el orificio de la junta aislante (4), (ver fig. 4).
- Fijar a la puerta del generador de calor (3) la brida (1) mediante los tornillos (5) y (si es necesario) las tuercas (2) **interponiendo la junta aislante (4)**, (ver fig. 2).
- Cuando el montaje ha terminado, comprobar que el quemador quede ligeramente inclinado (ver fig. 5).

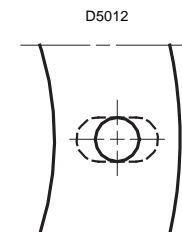
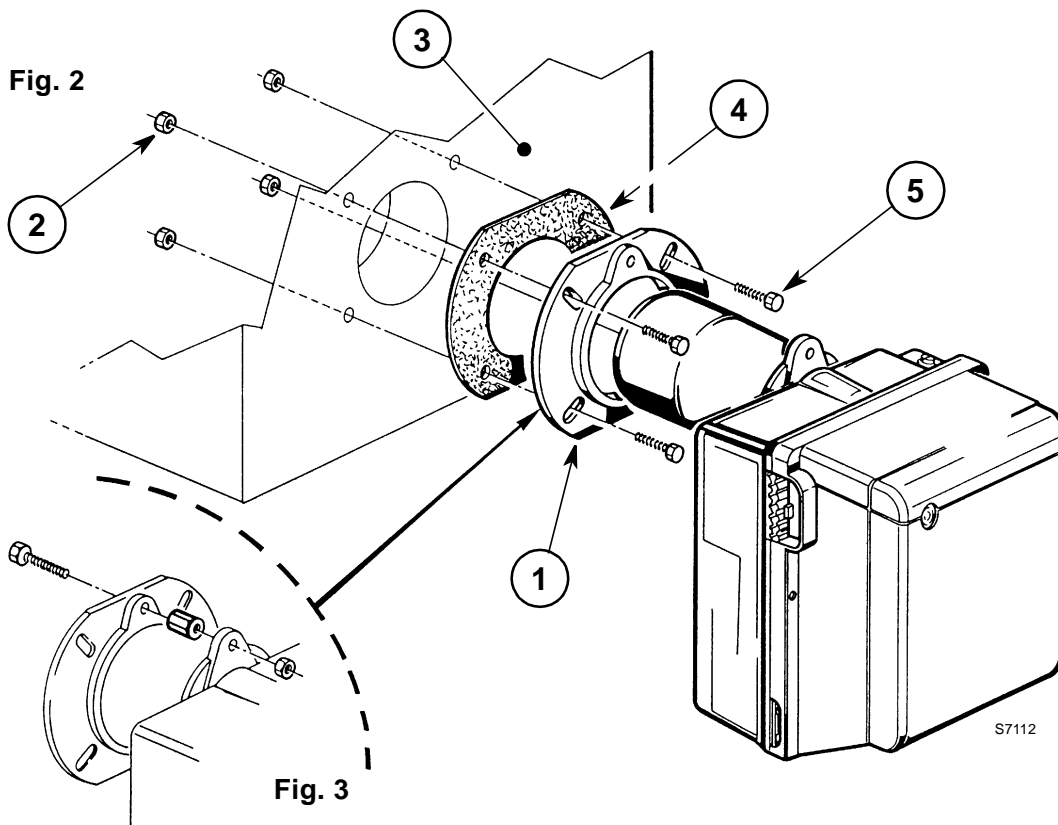


Fig. 4

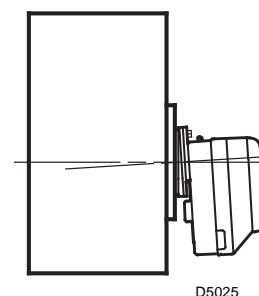


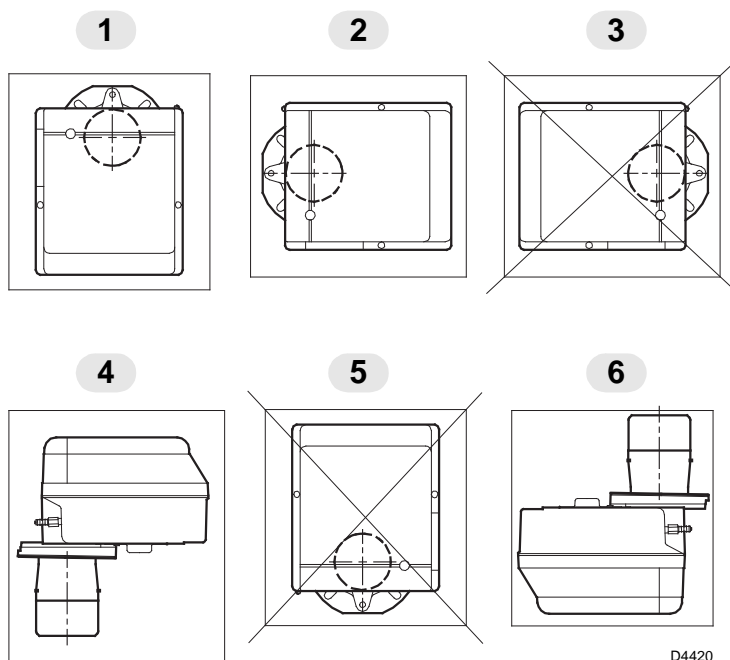
Fig. 5

3.2 POSICIÓN DE FUNCIONAMIENTO

El quemador está preparado exclusivamente para el funcionamiento en las posiciones 1, 2, 4 y 6.

Otra posición se debe considerar compromete para el funcionamiento correcto del aparato.

Las instalaciones 3 y 5 están prohibidas por motivos de seguridad.



D4420

3.3 ALIMENTACIÓN DEL COMBUSTIBLE

El quemador va equipado para recibir los tubos de alimentación de combustible por ambos lados. Según si la salida de los flexibles es a la derecha o a izquierda, puede ser necesario cambiar el emplazamiento de la placa de fijación (1) con la de obturación (2), (ver fig. 6).

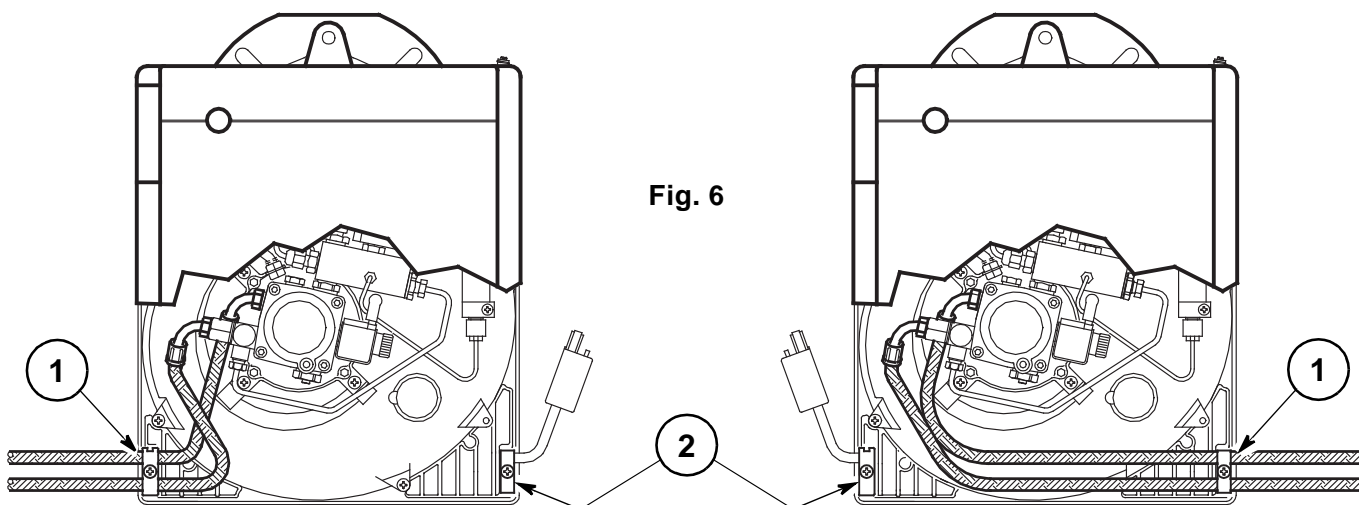


Fig. 6

D5392

3.4 INSTALACIÓN HIDRÁULICA

► Es necesario instalar un filtro alimentación del combustible.

BOMBA (ver fig. 7)

- La bomba está prevista para funcionar en bitubo.
- Para el funcionamiento monotubo, se debe desenroscar la tapon de retorno (2), quitar el tornillo de by-pass (3) y seguidamente volver a enroscar el tapón (2) con par de torsión 0,5 Nm.
- Antes de poner en funcionamiento el quemador hay que asegurarse de que el tubo de retorno del combustible no esté obstruido. Una contrapresión excesiva (\bar{S} 1 bar) causaría la rotura del órgano de estanquidad de la bomba, con consiguientes pérdidas de combustible adentro del quemador.

La bomba dispone de un regulador de la presión de impulsión (5). La presión aumenta girándolo hacia la derecha y disminuye girándolo en la dirección contraria.

La sensibilidad indicativa es de alrededor de 1 bar por vuelta. La presión se regula dentro del rango 8 ÷ 15 bar.

Se aconseja no aflojar el pomo (11) y comprobar periódicamente su apriete por razones de seguridad.

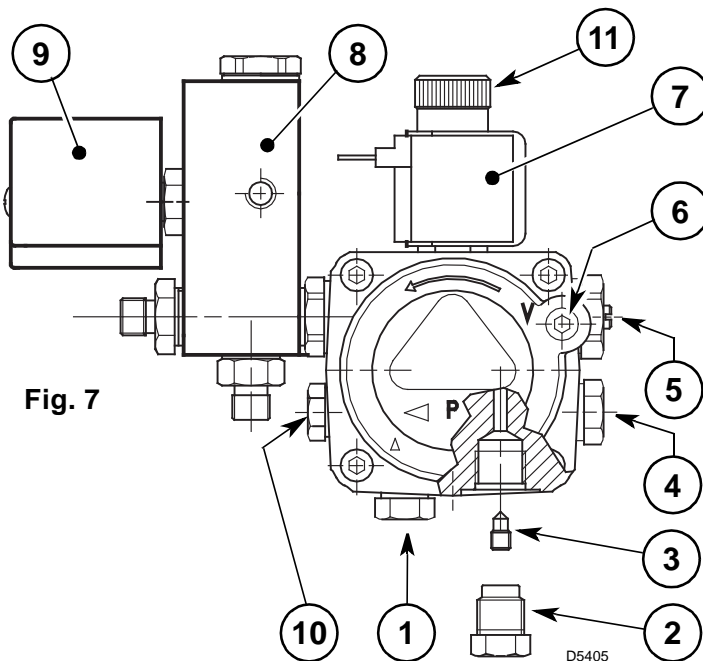


Fig. 7

D5405

- 1 - Aspiración
- 2 - Retorno
- 3 - Tornillo by-pass
- 4 - Conexión manómetro
- 5 - Regulador de presión 2ª llama
- 6 - Conexión vacuómetro
- 7 - Electroválvula 2ª llama
- 8 - Electroválvula 1ª llama
- 9 - Conjunto cuerpo válvula
- 10 - Toma de presión auxiliar
- 11 - Pomo

INSTALACIONES DE UN TUBO BAJO PRESIÓN (fig. 8)

Las instalaciones de un tubo bajo presión presentan una presión del combustible positiva en la entrada del quemador. Generalmente tienen el depósito más alto que el quemador o sistemas de bombeo con combustible afuera del quemador.

En la instalación de la fig. 8, la tabla muestra las longitudes máximas indicativas para la línea de alimentación según el desnivel, la longitud y el diámetro del tubo de combustible.

CEBADO DE LA BOMBA

Se debe aflojar el racord del vacuómetro (6, fig. 7) hasta que salga combustible.

INSTALACIÓN NO PERMITIDA EN ALEMANIA

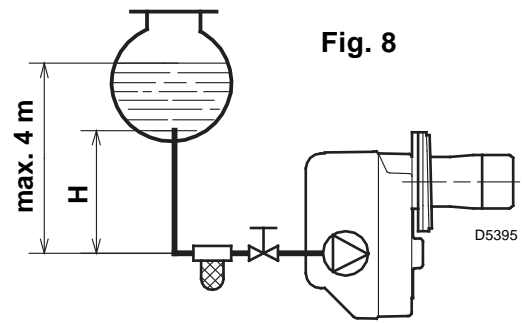


Fig. 8

H metros	L metros	
	ø i 8 mm	ø i 10 mm
0,5	10	20
1	20	40
1,5	40	80
2	60	100

INSTALACIONES BAJO VACÍO (fig. 9 y 10)

Las instalaciones bajo vacío presentan una presión del combustible negativa (vacío) en la entrada del quemador. Por lo general el depósito está más abajo que el quemador.

En las instalaciones de fig. 9 y 10, la tabla indica las longitudes máximas indicativas para la línea de alimentación según el desnivel, la longitud y el diámetro del tubo de combustible.

CEBADO DE LA BOMBA

En las instalaciones de las figs. 9 y 10, poner en funcionamiento el quemador y esperar el cebado.

Si la acción de seguridad se produce antes de la llegada del combustible, esperar como mínimo 20 segundos y luego iniciar de nuevo esta operación.

En las instalaciones por depresión de dos tubos (fig. 10) la tubería de retorno debe llegar a la misma altura que la de aspiración. En este caso no se necesita válvula de pie.

De lo contrario, la válvula es indispensable.

Esta solución es menos fiable que la anterior por la posible falta de hermeticidad de la válvula.

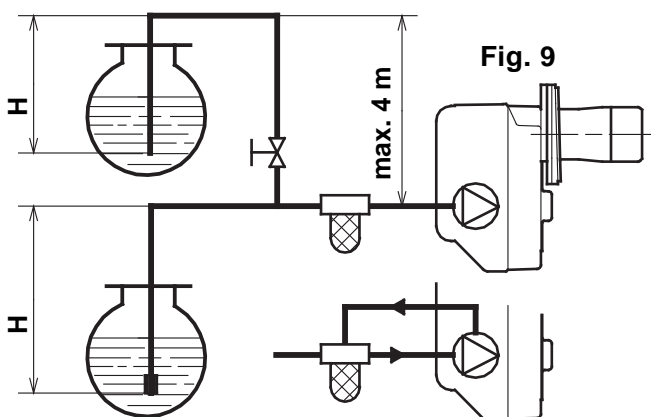


Fig. 9

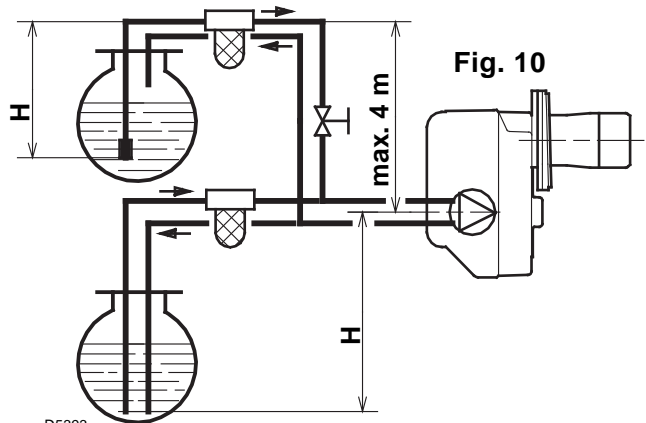


Fig. 10

NOTA PARA TODOS LOS TIPOS DE INSTALACIÓN

El instalador debe garantizar que el vacío de alimentación nunca supere 0,4 bar (30 cm Hg). Por encima de este valor, se produce una desgasificación del combustible. Las tuberías deben ser perfectamente estancas.

H = diferencia de nivel; L = Longitud máxima del tubo de aspiración;
ø i = diámetro interior del tubo.

H metros	L metros	
	ø i 8 mm	ø i 10 mm
0	35	100
0,5	30	100
1	25	100
1,5	20	90
2	15	70
3	8	30
3,5	6	20

3.5 CONEXIONES ELÉCTRICAS

ATENCIÓN

**NO INVERTIR EL NEUTRO
CON LA FASE**

NOTAS:

- Sección de los conductores: 1 mm² mín.
(Salvo indicaciones diferentes de normas y leyes locales).
- Las conexiones eléctricas efectuadas por el instalador deben cumplir la normativa vigente en el país.
- Conectar el termostato 2ª llama a los bornes T6 - T8 eliminando el puente.

~ 50/60Hz 220/230V

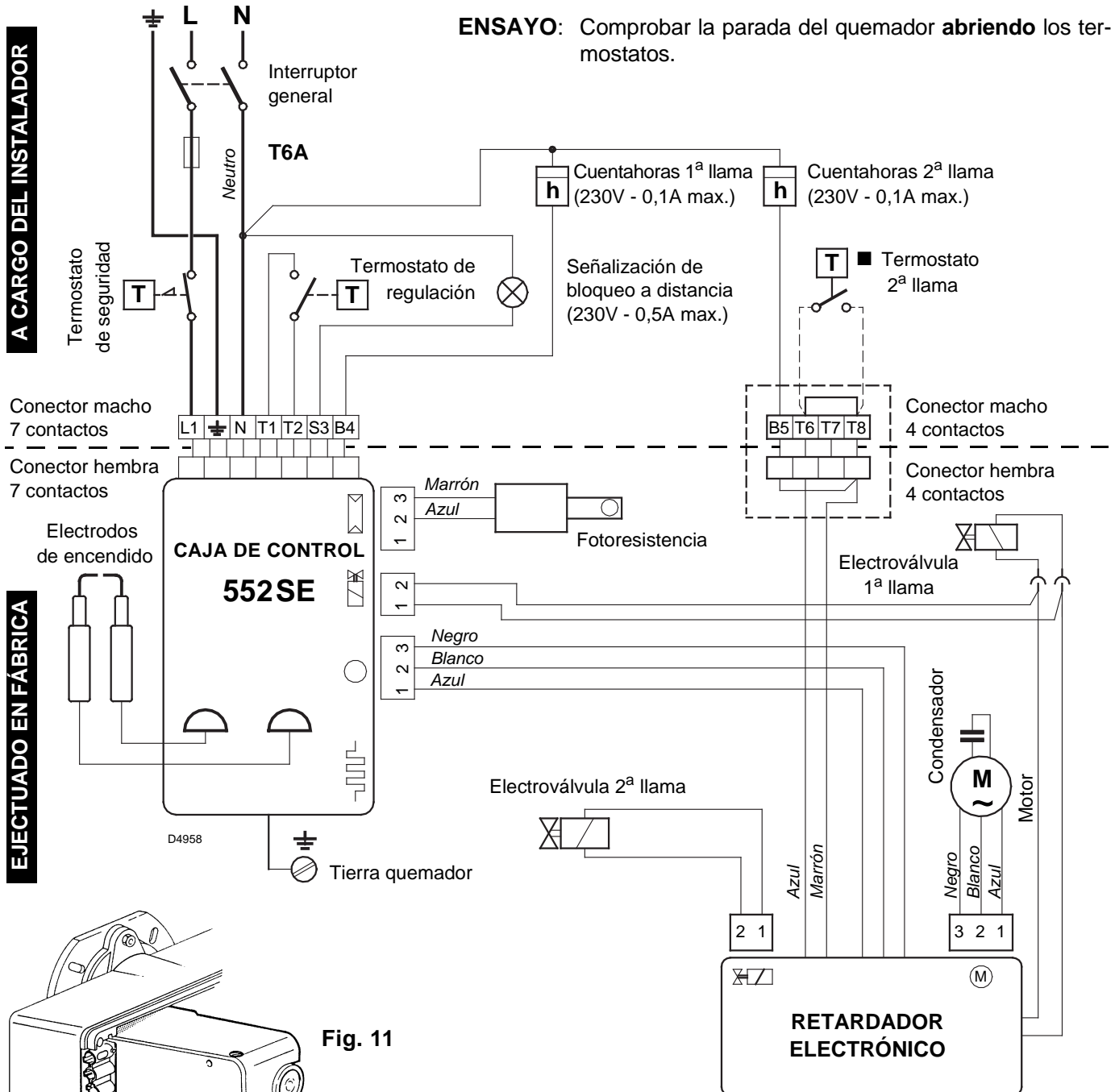


Fig. 11

CAJA DE CONTROL

Para extraer la caja de control del quemador, quitar el tornillo (A fig. 11) y extraer en la dirección de la flecha después de desconectar todos los componentes, el conector macho de 7 terminales y el hilo de tierra.

Cuando se vuelva a montar, atornillar el tornillo A con un par de apriete de 1 ÷ 1,2 Nm.

4. FUNCIONAMIENTO

4.1 AJUSTE DE LA COMBUSTIÓN

De conformidad con la Directiva Rendimientos 92/42/CEE, la aplicación del quemador al generador de calor, la regulación y el ensayo deben ser efectuados observando el manual de instrucciones del mismo generador, incluido el control de la concentración de CO y CO₂ en el humo, su temperatura y aquella media del agua o del aire del generador.

Según el caudal de combustible exigido por el generador de calor, se debe determinar la boquilla, la presión de la bomba, la regulación del cabezal de combustión y la regulación del registro del aire, ver las tablas que siguen.

Los valores indicados en la tabla se obtienen en una caldera CEN (según EN267). Se refieren al 12,5% de CO₂, a la altura del nivel del mar, con temperatura ambiente y del gasóleo de 20°C, con frecuencia de alimentación de 50Hz y contrapresión en la cámara de combustión igual a 0.

Boquilla		Presión bomba	Caudal quemador		Regul. cabezal de combustión	Regulación registro del aire		
GPH			kg/h ± 4%			1ª llama	2ª llama	
1ª llama	2ª llama	Angulo		bar	1ª llama	2ª llama	Indice	Indice
2,00	1,00	60°	12	8,0	12,4	0	0,25	2,1
2,00	2,00	60°	12	8,0	16,4	3	0,15	3,0
2,50	2,50	60°	12	10,3	20,5	6	0,3	4,4
3,00	3,00	60°	12,5	12,6	25,0	8	0,6	6,0

ATENCIÓN

Los valores mencionados en la tabla son indicativos; para garantizar las mejores prestaciones del quemador se aconseja ejecutar las regulaciones según las exigencias requeridas por el tipo de generador. Si funcionara a 60Hz, hay que retardar el quemador, cerrando el registro de aire para reducir la cantidad de aire de entrada.

4.2 BOQUILLAS ACONSEJADAS

Delavan tipo W - B;

Steinen tipo Q;

Danfoss tipo S.

NOTA

Si fuera necesario, la boquilla de la 1ª etapa puede tener un caudal superior al 50% del caudal total. No se aconseja tener la boquilla de la 1ª etapa inferior al 50% del caudal total, porque la llama podría ser inestable.

SUSTITUCIÓN DE LAS BOQUILLAS, (fig. 12 y 13)

Para sustituir las boquillas siga estas operaciones:

- Desconecte los cables (4) de la caja de control y extraiga la fotorresistencia (5).
- Afloje los tornillos (2) y desenrosque las tuercas (3).
- Extraiga los cables (4) de los electrodos, desenrosque y quite los tornillos (9, fig. 13, pág. 9) del grupo disco estabilizador (8, fig. 13, pág. 9).
- Extraiga el grupo portaboquillas (1) girándolo ligeramente hacia la derecha.

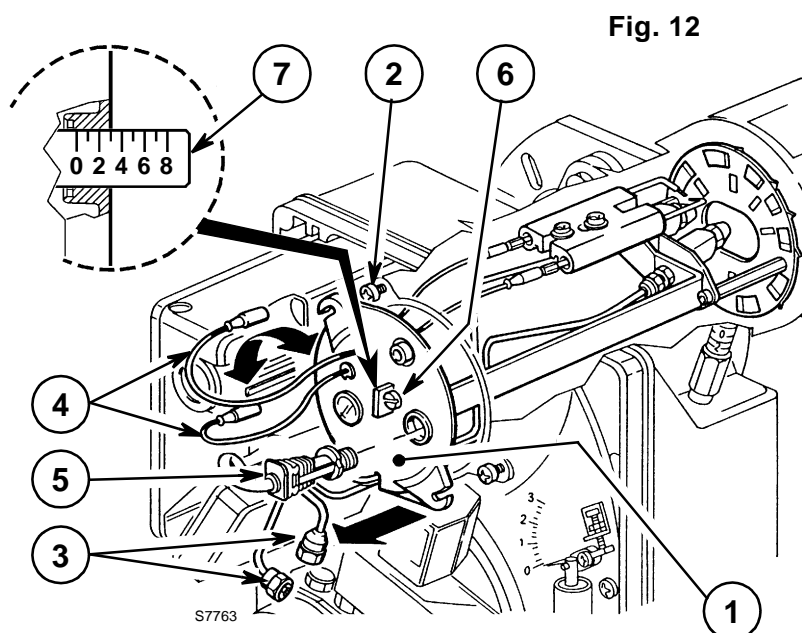


Fig. 12

- Sustituya y enrosque correctamente las boquillas (10), apretándolas como se muestra en la figura.
- Reinstale siguiendo el mismo procedimiento en el orden inverso, montado de nuevo el grupo portaboquillas (1), tal como al origen.

ATENCIÓN

Al volver a montar el conjunto portaboquilla enrosque la tuerca (3) como muestra la figura.

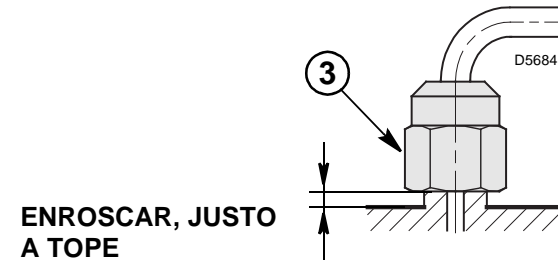
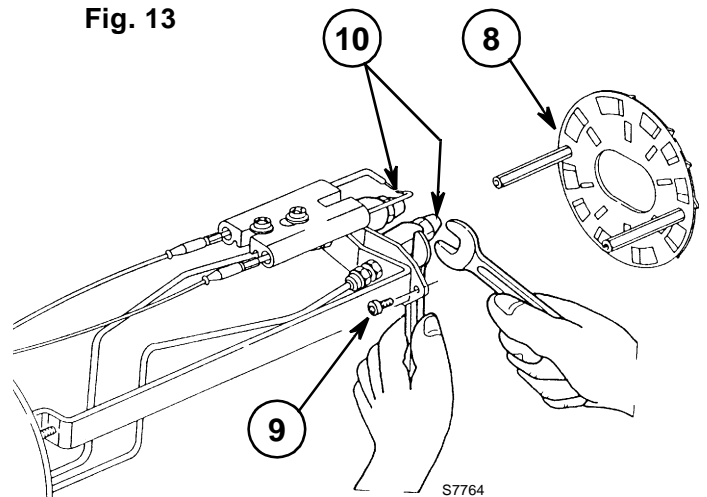


Fig. 13



4.3 REGULACIÓN DEL CABEZAL DE COMBUSTIÓN (ver fig. 12, pág. 8)

Su regulación varía según el caudal del quemador.

Se efectúa girando hacia la derecha o hacia la izquierda el tornillo de regulación (6) hasta que la muesca impresa en la placa de regulación (7) coincida con el plano exterior del grupo portaboquillas (1).

En la figura 12, la placa de regulación del cabezal (7) está ajustada en la muesca 3.

Según los valores indicados en la tabla, el cabezal está ajustado para un caudal de 2,00 + 2,00 GPH con la bomba a presión de 12 bar.

4.4 REGULACIÓN DE LOS ELECTRODOS, (ver fig. 14)

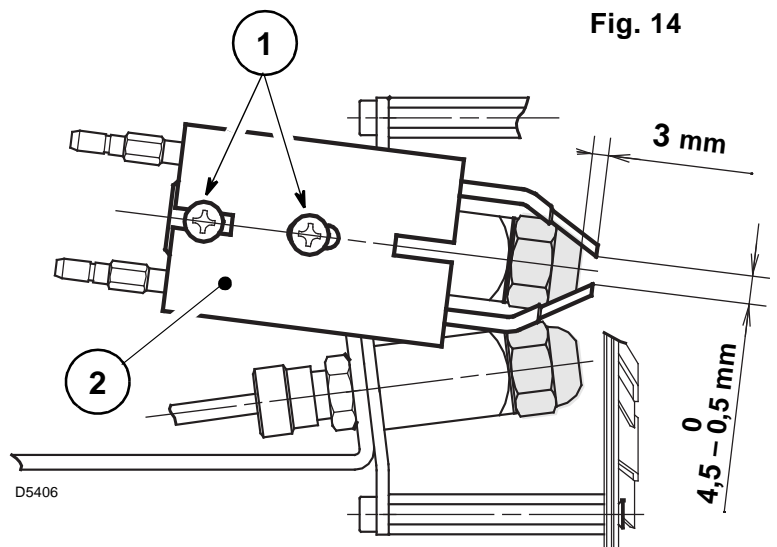
ATENCIÓN

RESPETE LAS DISTANCIAS.

Para un eventual ajuste desenrosque el tornillo (1), y desplazar el conjunto de electrodos (2).

Para acceder a los electrodos, efectuar la operación descrita en el capítulo "4.2 BOQUILLAS ACONSEJADAS" (pág. 8).

Fig. 14



4.5 PRESIÓN BOMBA Y CAUDAL DE AIRE, (ver fig. 15 y 16)

REGULACIÓN 1ª LLAMA

REGULACIÓN DEL REGISTRO DEL AIRE, (ver fig. 15)

- Afloje la tuerca (1) y mueva el tornillo (2).
- Coloque el indicador (3) en la posición deseada.
- Apriete la tuerca (1).

REGULACIÓN 2ª LLAMA

REGULACIÓN DEL REGISTRO DEL AIRE, (ver fig. 15)

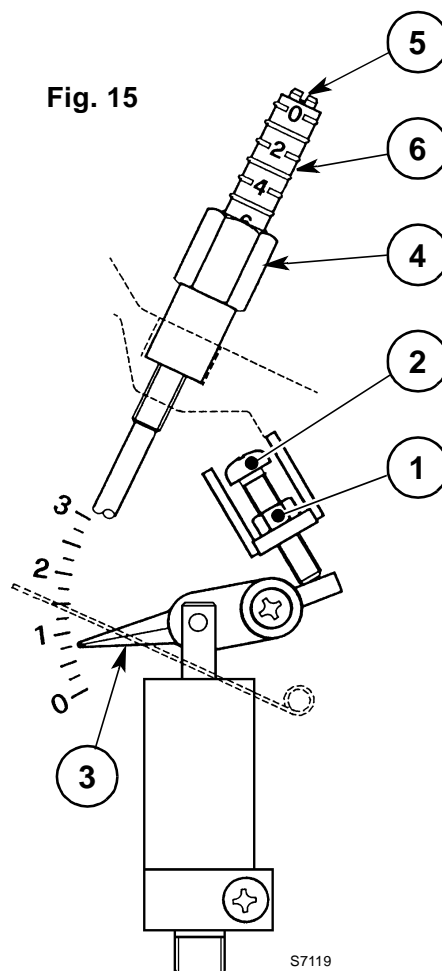
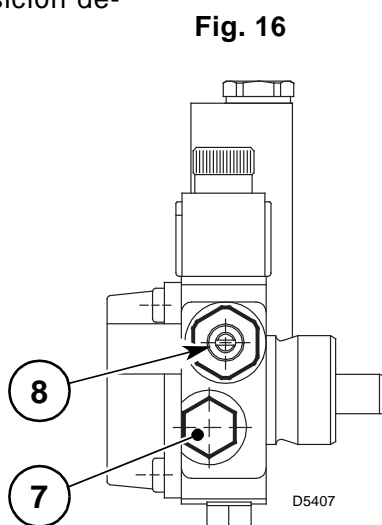
- Afloje la tuerca (4) y mueva el tornillo (5) hasta colocar el indicador (6) en la posición deseada.
- Apriete la tuerca (4).

REGULACIÓN PRESIÓN

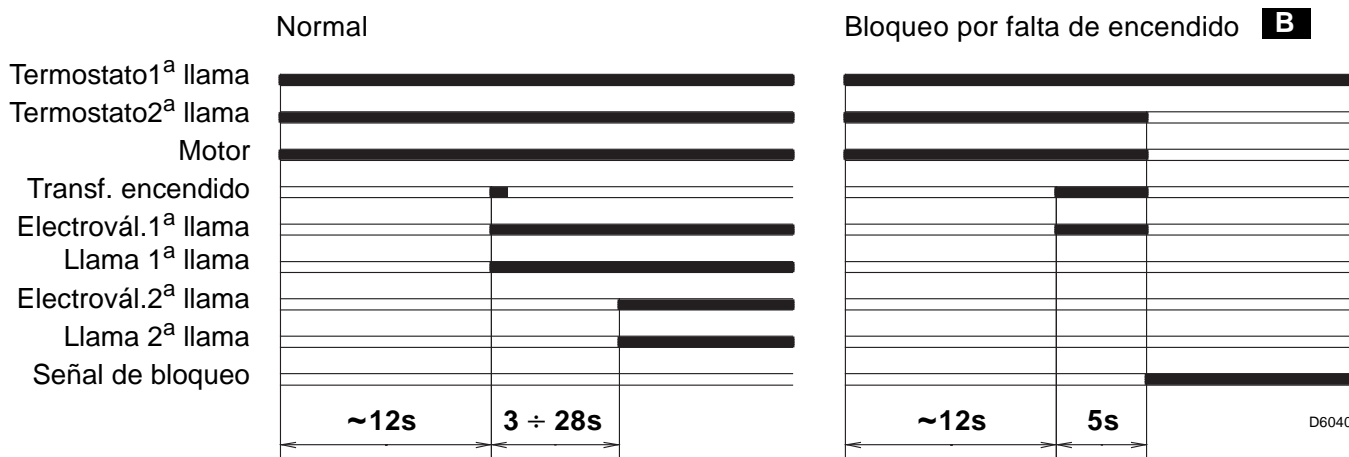
Se ajusta a 12 bar en fábrica.

Si fuera necesario retardar dicha presión, o si se prefiere cambiarla, basta mover el tornillo (8).

El manómetro para controlar la presión se monta en lugar del tapón (7) (véase fig. 16).



4.6 CICLO DE PUESTA EN MARCHA



B Señalizado por el LED de la caja de control (4, fig. 1, pág. 1).

5. MANTENIMIENTO

El quemador precisa un mantenimiento periódico que debe ser ejecutado por personal especializado **y de conformidad con las leyes y normativas locales.**

El mantenimiento es indispensable para el buen funcionamiento del quemador y evita asimismo los consumos de combustible excesivos y, por lo tanto, la emisión de agentes contaminantes.

Antes de efectuar una operación de limpieza o control, cortar la alimentación eléctrica accionando el interruptor general.

LAS OPERACIONES ESENCIALES A EFECTUAR SON:

- Comprobar que no haya obturación o estrangulaciones de las tuberías de alimentación y retorno del combustible.
- Efectuar la limpieza del filtro del conducto de aspiración del combustible y del filtro de la bomba.
- Efectuar la limpieza de la fotoresistencia (8, fig. 1 pág. 1).
- Comprobar si el consumo es correcto.
- Cambiar la boquilla (fig. 13, pág. 9) y verificar que los electrodos estén bien colocados (fig. 14 pág. 9).
- Limpiar el cabezal de combustión en la zona de salida del combustible, en el grupo difusor.
- Dejar funcionar el quemador a pleno régimen durante 10 minutos aproximadamente, verificar la correcta regulación en 1ª y 2ª llama y los parámetros indicados en este manual

Seguidamente efectuar un análisis de la combustión comprobando:

- Temperatura de los humos de la chimenea;
- Porcentaje de CO₂;
- Contenido de CO (ppm);
- Índice de opacidad de los humos en la escala de Bacharach.

6. ANOMALÍAS / SOLUCIONES

En la lista siguiente se ofrecen algunas causas de anomalías o averías y sus soluciones, situaciones que se traducen en un funcionamiento anormal del quemador.

Una anomalía, en la gran mayoría de los casos, da lugar a que se encienda la señal del botón de rearme de la caja de control (4, fig. 1).

Cuando se enciende dicha señal, es posible volver a poner el quemador en funcionamiento después de pulsar este botón; seguidamente, si el encendido es normal, el paro intempestivo puede atribuirse a un problema ocasional y, en cualquier caso, sin peligro alguno.

En caso contrario, si persiste el bloqueo, se debe consultar la tabla siguiente:

ANOMALÍA	POSIBLE CAUSA	SOLUCIÓN
El quemador no se pone en funcionamiento después de cerrar el termostato de regulación.	Falta de alimentación eléctrica.	Comprobar la tensión en los bornes L1-N del conector macho de 7 terminales.
		Comprobar los fusibles.
		Comprobar que el termostato de seguridad no esté bloqueado.
	La fotoresistencia está iluminada por una fuente luminosa exterior.	Suprimir esta fuente luminosa.
	Calentador o su termostato averiados.	Proceder a su cambio.
El quemador ejecuta normalmente los ciclos de preventilación y encendido y se bloquea al cabo de unos 5 segundos.	Las conexiones de la caja de control no son correctas.	Comprobar y verificar todos los contactos.
	La fotoresistencia está sucia.	Limpiarla
	La fotoresistencia está averiada.	Cambiarla.
	La llama se apaga o falla.	Comprobar la presión y el caudal del combustible.
		Comprobar el caudal de aire.
Cambiar la boquilla.		
Comprobar la bobina de la electroválvula 1ª llama.		
Puesta en marcha del quemador con retardo en el encendido.	Electrodos de encendido mal regulados.	Ajustarlos según se indica en este manual.
	Caudal de aire demasiado fuerte.	Ajustarlo según se indica en este manual.
	Boquilla sucia o deteriorada.	Cambiar la boquilla.

ADVERTENCIA

La responsabilidad del fabricante queda liberada en caso de uso no conforme, malos ajustes e incumplimiento de las instrucciones incluidas en este manual.

RIELLO

RIELLO S.p.A.
I-37045 Legnago (VR)
Tel.: +39.0442.630111
[http:// www.riello.it](http://www.riello.it)
[http:// www.riello.com](http://www.riello.com)