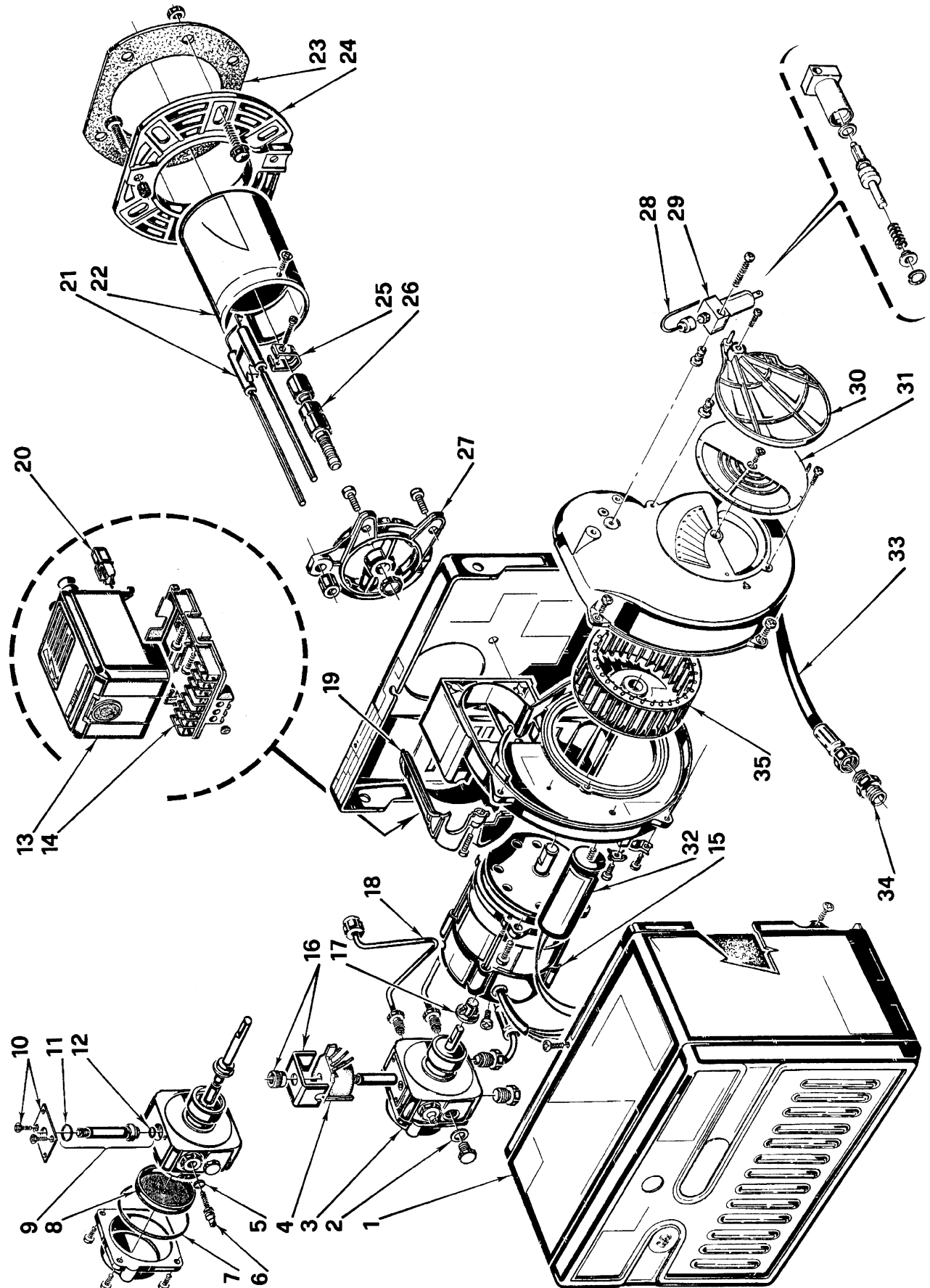


Bruciatore di gasolio - kerosene • Oil - kerosene burner • Brûleur fioul domestique -
kérosène • Öl-/Kerosin - Gebläsebrenner • Stookoliebrander - kerosine

RIELLO 40 G3B

COD. 3743714

TIPO / TYPE / TYP 437 T1



N.	COD.	DESCRIZIONE	DESCRIPTION	DESCRIPTION	BESCHREIBUNG	BENAMING
1	3007232	CARENATURA	BODY	CARENAGE	VERKLEIDUNG	BEDEKKING
2	3007077	GUARNIZIONE	SEAL	JOINT	DICHTUNG	PAKKING
3	3020476	POMPA	PUMP	POMPE	PUMPE	POMP
4	3002279	BOBINA	COIL	BOBINE	MV SPULE	SPOEL
5	3007028	ANELLO OR	O - RING	JOINT TORIQUE	O - RING	DICHTING O - RING
6	3007202	REGOLATORE	REGULATOR	REGULATEUR	REGLER	REGELAAR
7	3007162	ANELLO OR	O - RING	JOINT TORIQUE	O - RING	DICHTING O - RING
8	3005719	FILTRO	FILTER	FILTRE	FILTER	FILTER
9	3006925	VALVOLA	NEEDLE VALVE	VANNE	NADELVENTIL	VENTIEL
10	3007203	PIASTRINA	PLATE	PLAQUETTE ETRIER	PLATTE	BEUGELPLAATJE
11	3007029	ANELLO OR	O - RING	JOINT TORIQUE	O - RING	DICHTING O - RING
12	3007156	ANELLO OR	O - RING	JOINT TORIQUE	O - RING	DICHTING O - RING
13	3001156	APPARECCHIATURA 530SE*	CONTROL BOX 530SE*	BOITE DE CONTROLE 530SE*	STEUERGERÄT 530SE*	CONTROLEDOOS 530SE*
14	3002278	MORSETTIERA	CONTROL BOX BASE	SOCLE	STECKSOCKEL	BASIS CONTROLEDOOS
15	3007971	MOTORE	MOTOR	MOTEUR	MOTOR	MOTOR
16	3006553	MANTELLO E POMELLO	SHELL AND KNOB	ETRIER ET ECROU	BÜGEL UND KNOPF	BEUGEL EN MOER
17	3000443	GIUNTO	JOINT	ACCOUPLMENT	KUPPLUNG	KOPPELING
18	3005723	TUBO	TUBE	TUYAU	DRUCKROHR	DRUKLEIDING
19	3006554	COPERCHIO	COVER	COUVERCLE	DECKEL	DEKSEL
20	3002280	FOTORESISTENZA	P.E. CELL	CELLULE PHOTORESISTANCE	FOTOWIDERSTAND	FOTOCEL
21	3005721	GRUPPO ELETTRODI	ELECTRODE ASSEMBLY	GROUPE ELECTRODES	ELEKTRODESYSYSTEM	ELECTRODENGROEP
22	3006001	TESTA A BICCHIERE	CUP-SHAPED HEAD	TETE A EMBOITEMENT	MUFFENKOPF	GLASVORMIGE KOP
23	3005787	SCHERMO	GASKET	JOINT	DICHTUNG	DICHTING
24	3008636	FLANGIA	FLANGE	BRIDE	FLANSCH	FLENS
25	3006552	FASCETTA	ELECTRODE BRACKET	SUPPORT ELECTRODES	ELECTRODEN HALTERUN G	ELECTRODENKLEM
26	3005724	PORTAUGELLO	NOZZLE HOLDER	PORTE GICLEUR	DÜSENSTOCK	SPROEIERHOUDER
27	3005760	COLLARE	COLLAR	COLLIER	INNERER FLANSCH	TEGENFLENS
28	3007814	TUBO	TUBE	TUYAU	DRUCKROHR	DRUKLEIDING
29	3006911	MARTINETTO	HYDRAULIC JACK	VERIN AIR	LUFTKLAPPE DRUCKKOLBEN	VIJZEL LUCHTREGELING
30	3000878	SERRANDA	AIR DAMPER	VOLET AIR	LUFTKLAPPE	LUCHTKLEP
31	3007204	SERRANDA	AIR DAMPER	VOLET AIR	LUFTKLAPPE	LUCHTKLEP
32	3005798	CONDENSATORE 4 µF	CAPACITOR 4 µF	CONDENSATEUR 4 µF	KONDENSATOR 4 µF	CONDENSATOR 4 µF
33	3005720	TUBO FLESSIBILE	FLEXIBLE OIL LINE	FLEXIBLE	SCHLAUCH	FLEXIBEL
34	3009068	RACCORDO	CONNECTOR	MAMELON	NIPPEL	NIPPEL
35	3005708	GIRANTE	FAN	VENTILATEUR	GEBLÄSERAD	VENTILATOR

RIELLO

RIELLO S.p.A.
I-37045 Legnago (VR)
Tel.: +39.0442.630111
http:// www.riello.it
http:// www.rielloburners.com