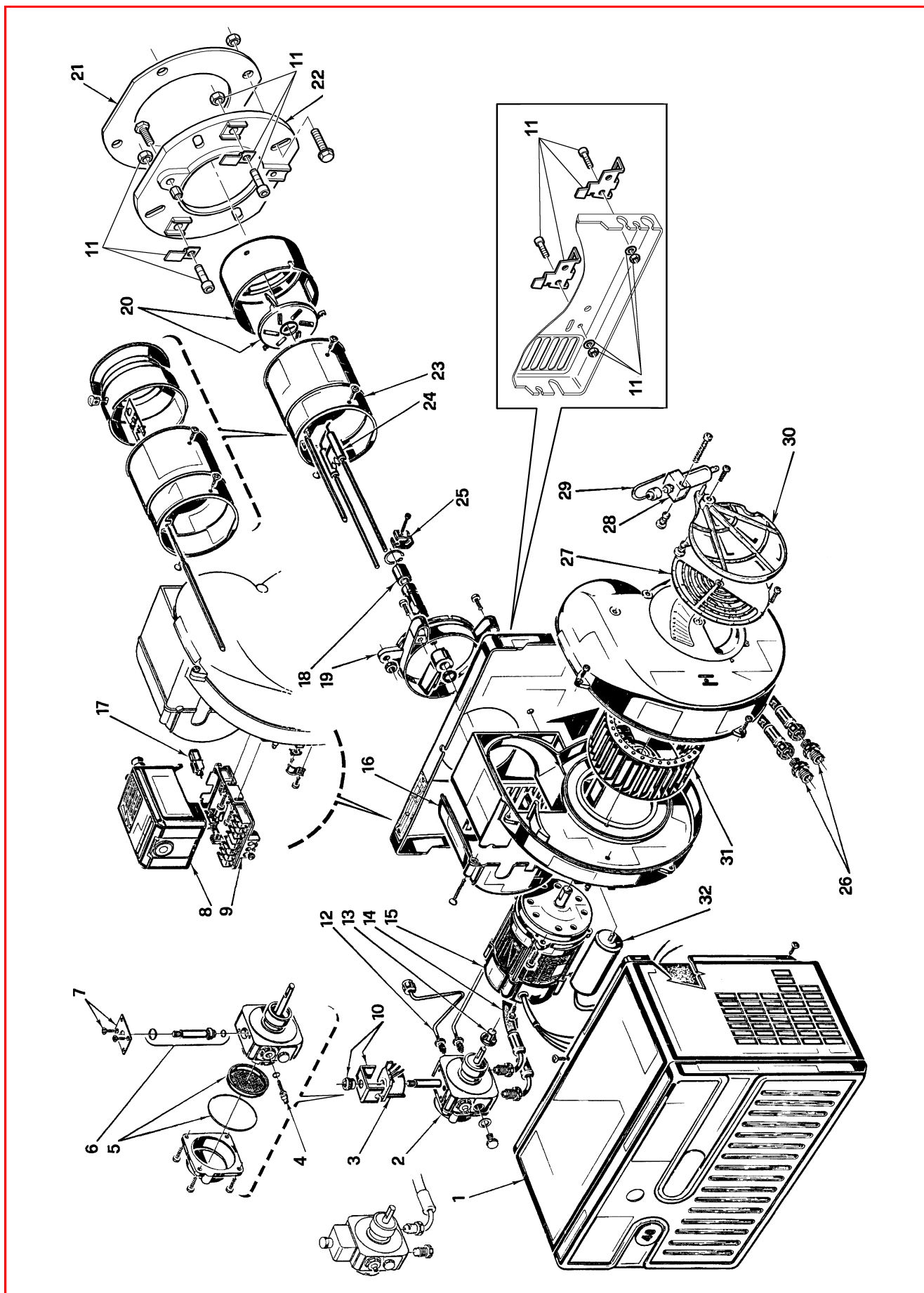


Bruciatore di gasolio / kerosene • Light oil / kerosene burner • Brûleur fioul / kérosène
Öl-/Kerosin-Gebläsebrenner • Stookoliebrander / kerosine

RIELLO 40 G20KI COD. **3747455**

TIPO / TYPE / TYP **474T52**



N.	COD.	DESCRIZIONE	DESCRIPTION	DESCRIPTION	BESCHREIBUNG	BENAMING
1	3007235	COFANO	COVER	CAPOT	BRENNERHAUBE	BRANDERKAP
2	3020476	POMPA	PUMP	POMPE	PUMPE	POMP
3	3002279	BOBINA	COIL	BOBINE V. M.	MAGNETVENTIL-SPULE	SPOEL
4	3007202	REGOLATORE	REGULATOR	REGULATEUR	REGLER	REGELAAR
5	3008653	FILTRO - ANELLO OR	FILTER - O - RING	FILTRE - JOINT TORIQUE	FILTER - O-RING-DICHTUNG	FILTER - O-RING-DICHTUNG
6	3006925	VALVOLA	NEEDLE VALVE	VANNE MAGNETIQUE	MAGNETVENTIL-KÖRPER	VENTIEL
7	3007203	PIASTRINA	PLATE	PLAQUETTE ETRIER	PLATTE	BEUGELPLAATJE
8	3001156	APPARECCHIATURA 530SE*	CONTROL BOX 530SE*	BOITE DE CONTROLE 530SE*	STEUERGERÄT 530SE*	CONTROLEDOOS 530SE*
9	3002278	MORSETTIERA	TERMINAL BOARD	BORNIER	STECKSOCKEL	BASIS CONTROLEDOOS
10	3006553	MANTELLO E POMELLO	SHELL AND KNOB	ETRIER ET ECROU	BÜGEL UND KNOPF	BEUGEL EN MOER
11	3020407	GRUPPO MANUTENZIONE	MAINTENANCE ASSEMBLY	GROUPE ENTRETIEN	WARTUNGSSYSTEM	ONDERHOUDGROEP
12	3005819	TUBO	TUBE	TUYAU	DRUCKROHR	DRUKLEIDING
13	3000443	GIUNTO	JOINT	ACCOUPEMENT	PUMPENKUPPLUNG	KOPPELING
14	3005720	TUBO FLESSIBILE	FLEXIBLE OIL LINE	FLEXIBLE	ÖLSCHLAUCH	FLEXIBEL
15	3008513	MOTORE	MOTOR	MOTEUR	MOTOR	MOTOR
16	3006558	COPERCHIO	COVER	COUVERCLE	DECKEL	DEKSEL
17	3002280	FOTORESISTENZA	P. E. CELL	CELLULE PHOTORESIST.	FOTOWIDERSTAND	FOTOCEL
18	3005764	PORTAUGELLO	NOZZLE HOLDER	PORTE GICLEUR	DÜSENSTOCK	SPROEIERHOUDER
19	3005810	COLLARE	COLLAR	COLLIER	BRENNERFLANSCH	TEGENFLENS
20	3006264	ANELLO CON ELICA	END RING AND DIFFUSER DISC	EMBOUET GUEULARD + AF	FLAMMKOPF+STAUSCHEIBE	BRANDERKOPRING+VLAM.
21	3005813	SCHERMO	GASKET	JOINT	KESSELFLANSCH-DICHTUNG	DICHTING
22	3005814	FLANGIA	FLANGE	BRIDE	KESSELFLANSCH	FLENS
23	3006265	GRUPPO BOCCAGLIO	BLAST TUBE ASSEMBLY	GROUPE GUEULARD	BRENNERROHRSYSTEM	BRANDERKOPGROEP
24	3002919	GRUPPO ELETTRODI	ELECTRODE ASSEMBLY	GROUPE ELECTRODES	ELEKTRODESYSYSTEM	ELECTRODENGROEP
25	3006552	FASCETTA	ELECTRODE BRACKET	SUPPORT ELECTRODES	ELECTRODEN HALTERUNG	ELECTRODENKLEM
26	3009068	RACCORDO	CONNECTOR	MAMELON	NIPPEL	NIPPEL
27	3007206	SERRANDA	AIR DAMPER	VOLET AIR	LUFTKLAPPE	LUCHTKLEP
28	3006911	MARTINETTO	HYDRAULIC JACK	VERIN AIR	LUFTKLAPPE DRUCKKOLBEN	VIJZEL LUCHTREGELING
29	3007816	TUBO	TUBE	TUYAU	DRUCKROHR	DRUKLEIDING
30	3000880	SERRANDA	AIR DAMPER	VOLET AIR	LUFTKLAPPE	LUCHTKLEP
31	3005799	GIRANTE	FAN	TURBINE	GEBLÄSERAD	VENTILATOR
32	3005802	CONDENSATORE 5µF	CAPACITOR 5µF	CONDENSATEUR 5µF	KONDENSATOR 4 µF	CONDENSATOR 5µF

RIELLO

RIELLO S.p.A.
I-37045 Legnago (VR)
Tel.: +39.0442.630111
[http:// www.riello.it](http://www.riello.it)
[http:// www.rielloburners.com](http://www.rielloburners.com)