

- GB** **Forced draught gas burners**
- E** **Quemadores de gas**
- P** **Queimadores a gás**

Progressive two-stage operation
Funcionamiento a dos llamas progresivas
Funcionamento a duas chamas progressivas



CODE - CÓDIGO	MODEL - MODELO	TYPE - TIPO
3785100 - 3785102	RS 70	821 T1
3785101 - 3785103	RS 70	821 T1
3785300 - 3785302	RS 100	822 T1
3785301 - 3785303	RS 100	822 T1
3785500 - 3785502	RS 130	823 T1
3785501 - 3785503	RS 130	823 T1

TECHNICAL DATA	page 2
Electrical data	2
Variants	2
Burner description	3
Packaging - Weight	3
Max. dimensions	3
Standard equipment	3
Firing rates	4
Test boiler	4
Commercial boilers	4
Gas pressure	5
INSTALLATION	6
Boiler plate	6
Blast tube length	6
Securing the burner to the boiler	6
Setting the combustion head	7
Gas line	8
Electrical system	9
Adjustments before firing	12
Servomotor	12
Burner starting	12
Burner firing	12
Burner calibration:	13
1 - Firing output	13
2 - 2nd stage output	13
3 - 1st stage output	14
4 - Intermediates outputs	14
5 - Air pressure switch	15
6 - Minimum gas pressure switch	15
Flame present check	15
Burner operation	16
Final checks	17
Maintenance	17
Burner start-up cycle diagnostics	18
Resetting the control box and using diagnostics	18
Fault - Probable cause - Suggested remedy	19
Accessories	20

N.B.

Figures mentioned in the text are identified as follows:

- 1)(A) = part 1 of figure A, same page as text;
- 1)(A)p.3 = part 1 of figure A, page number 3.

TECHNICAL DATA

MODEL			RS 70		RS 100		RS 130	
TYP			821 T1		822 T1		823 T1	
OUTPUT ⁽¹⁾	2nd stage	kW	465 - 814		698 - 1163		930 - 1512	
		Mcal/h	400 - 700		600 - 1000		800 - 1300	
	min. 1st stage	kW	192		232		372	
		Mcal/h	165		200		320	
FUEL			NATURAL GAS: G20 - G21 - G22 - G23 - G25					
			G20	G25	G20	G25	G20	G25
- Net calorific value	kWh/Nm ³ Mcal/Nm ³		10	8.6	10	8.6	10	8.6
			8.6	7.4	8.6	7.4	8.6	7.4
- Absolute density	kg/Nm ³		0.71	0.78	0.71	0.78	0.71	0.78
- Max. delivery	Nm ³ /h		81	94	116	135	151	175
- Pressure at maximum delivery ⁽²⁾	mbar		10.3	15.2	9.3	13.7	8.6	12.7
OPERATION			<ul style="list-style-type: none"> Intermittent (min. 1 stop in 24 hours). Two-stage (high and low flame) and single-stage (all-nothing) 					
STANDARD APPLICATIONS			Boilers: water. steam. diathermic oil					
AMBIENT TEMPERATURE		°C	0 - 40					
COMBUSTION AIR TEMPERATURE		°C max	60					
IN CONFORMITY WITH EEC DIRECTIVES			90/396 - 2004/108 - 2006/95 - 2006/42					
NOISE LEVELS ⁽³⁾		dBA	75		77		78.5	
APPROVAL		CE	0085AP0944		0085AP0945		0085AP0946	

(1) Reference conditions: Ambient temperature 20°C - Barometric pressure 1000 mbar - Altitude 100 m a.s.l.

(2) Pressure at test point 16)(A)p.3, with zero pressure in the combustion chambre, with open gas ring 2)(B)p.7 an maximum burner output

(3) Sound pressure measured in manufacturers combustion laboratory, with burner operating on test boiler and at maximum rated output.

ELECTRICAL DATA

Motor IE1

MODEL		RS 70		RS 100		RS 130	
ELECTRICAL SUPPLY	V	230 - 400 with neutral ~ +/-10%					
	Hz	50 - three-phase					
ELECTRIC MOTOR	rpm	2800		2830		2860	
	W	1100		1500		2200	
	V	230 / 400		230 / 400		230 / 400	
	A	4.7 - 2.7		6.4 - 3.7		8.5 - 4.9	
IGNITION TRANSFORMER	V1 - V2 I1 - I2	230 V - 1 x 8 kV 1 A - 20 mA					
ELECTRICAL POWER CONSUMPTION	W max	1400		1800		2600	
ELECTRICAL PROTECTION		IP 44					

Motor IE2

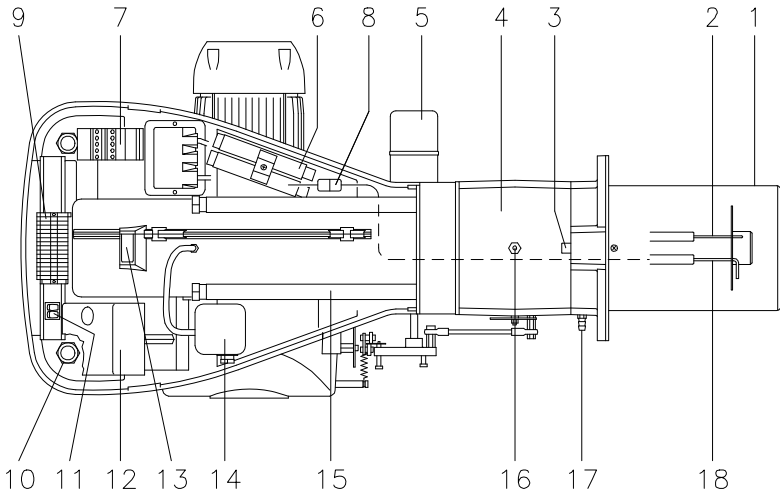
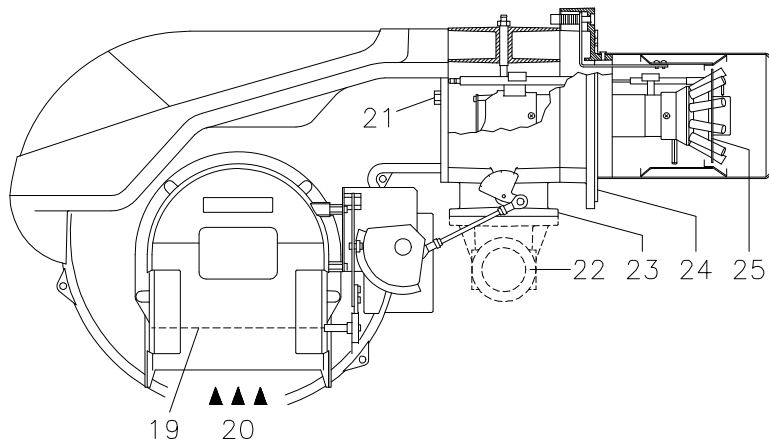
MODEL		RS 70		RS 100		RS 130	
ELECTRICAL SUPPLY	V	230 - 400 with neutral ~ +/-10%					
	Hz	50 - three-phase					
ELECTRIC MOTOR	rpm	2860		2860		2860	
	W	1100		1500		2200	
	V	230 / 400		230 / 400		230 / 400	
	A	4.1 - 2.4		5.5 - 3.4		7.9 - 4.6	
IGNITION TRANSFORMER	V1 - V2 I1 - I2	230 V - 1 x 8 kV 1 A - 20 mA					
ELECTRICAL POWER CONSUMPTION	W max	1400		1800		2600	
ELECTRICAL PROTECTION		IP 44					

VARIANTS

Model	Electrical supply	Blast tube length mm
RS 70	three-phase	250
	three-phase	385
RS 100	three-phase	250
	three-phase	385
RS 130	three-phase	280
	three-phase	415

GAS CATEGORY

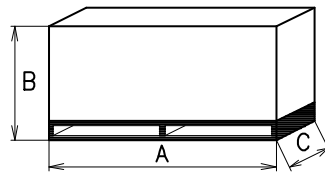
COUNTRY	CATEGORY
IT - AT - GR - DK - FI - SE	II ₂ H3B / P
ES - GB - IE - PT	II ₂ H3P
NL	II ₂ L3B / P
FR	II ₂ Er3P
DE	II ₂ ELL3B / P
BE	I ₂ E(R)B, I ₃ P
LU - PL	II ₂ E 3B/P



D3030

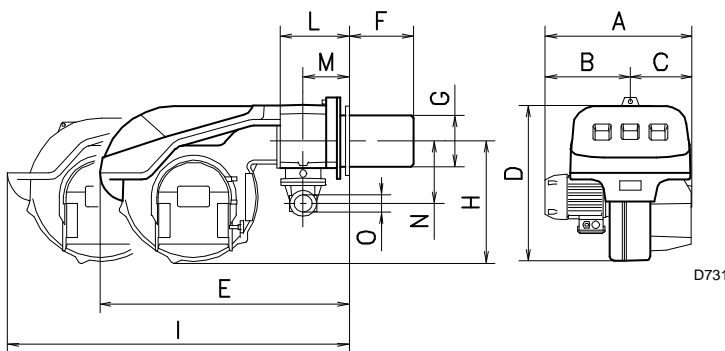
(A)

mm	A	B	C	kg
RS 70	1300	740	682	70
RS 100	1300	740	682	73
RS 130	1300	740	682	76



D36

(B)



D731

mm	A	B	C	D	E	F ₍₁₎	G	H	I ₍₁₎	L	M	N	O
RS 70	511	296	215	555	840	250 - 385	179	430	1161-1296	214	134	221	2"
RS 100	527	312	215	555	840	250 - 385	179	430	1161-1296	214	134	221	2"
RS 130	553	338	215	555	840	280 - 415	189	430	1161-1296	214	134	221	2"

(1) Blast tube: short-lang

(C)

BURNER DESCRIPTION (A)

- 1 Combustion head
- 2 Ignition electrode
- 3 Screw for combustion head adjustment
- 4 Sleeve
- 5 Servomotor controlling the gas butterfly valve and of air gate valve (by means of a variable profile cam mechanism).
When the burner is stopped the air gate valve will be completely closed to reduce heat loss due to the flue draught, which tends to draw air from the fan air inlet.
- 6 Extension for slide bars 15)
- 7 Motor contactor and thermal cut-out reset button
- 8 Plug-socket on ionisation probe cable
- 9 Terminal strip
- 10 Fairleads for electrical connections by installer
- 11 Two switches:
- one "burner off-on"
- one for "1st - 2nd stage operation"
- 12 Control box with lock-out pilot light and lock-out reset button
- 13 Flame inspection window
- 14 Minimum air pressure switch (differential operating type)
- 15 Slide bars for opening the burner and inspecting the combustion head
- 16 Gas pressure test point and head fixing screw
- 17 Air pressure test point
- 18 Flame sensor probe
- 19 Air gate valve
- 20 Air inlet to fan
- 21 Screws securing fan to sleeve
- 22 Gas input pipework
- 23 Gas butterfly valve
- 24 Boiler mounting flange
- 25 Flame stability disk

Two types of burner failure may occur:

- **Control box lock-out:** if the control box 12)(A) pushbutton (red led) lights up, it indicates that the burner is in lock-out. To reset, hold the pushbutton down for between 1 and 3 seconds.
- **Motor trip:** release by pressing the pushbutton on thermal cutout 7)(A).

PACKAGING - WEIGHT (B)

Approximate measurements

- The burner stands on a wooden base which can be lifted by fork-lifts. Outer dimensions of packaging are indicated in (B).
- The weight of the burner complete with packaging is indicated in Table (B).

MAX. DIMENSIONS (C)

Approximate measurements

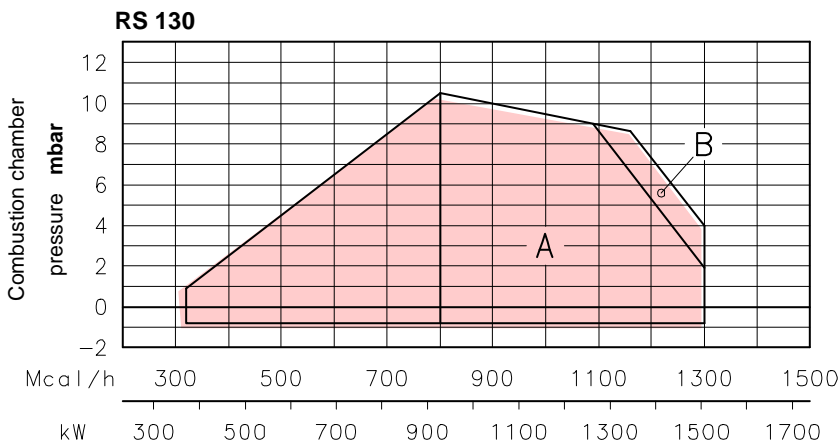
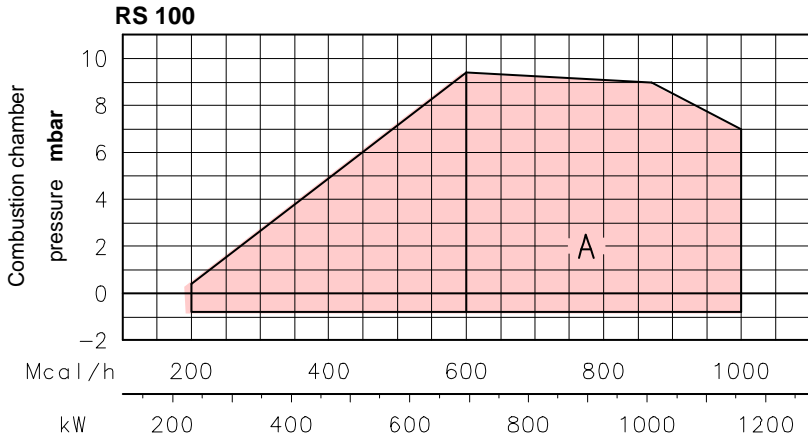
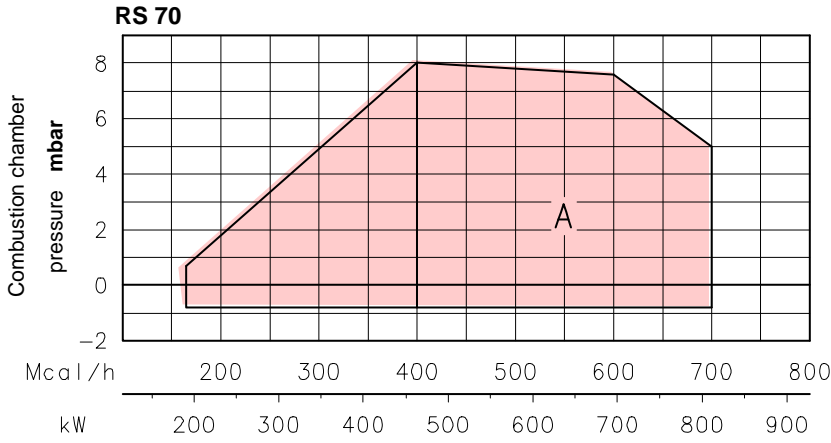
The maximum dimensions of the burner are given in (C).

Bear in mind that inspection of the combustion head requires the burner to be opened by withdrawing the rear part on the slide bars.

The maximum dimension of the burner when open is give by measurement I.

STANDARD EQUIPMENT

- 1 - Gas train flange
- 1 - Flange gasket
- 4 - Flange fixing screws M 10 x 35
- 1 - Thermal insulation screen
- 2 - Extensions 6)(A) for slide bars 15)(A) (for models with 385-415 mm blast tube)
- 4 - Screws to secure the burner flange to the boiler: M 12 x 35
- 1 - Instruction booklet
- 1 - Spare parts list



FIRING RATES (A)

The RS 70-100-130 Model burners can work in two ways: one-stage and two-stage

MAXIMUM OUTPUT must be selected in area A. In order to utilize also area B (RS 130) it is necessary to perform the calibration of the combustion head as explained on page 6.

MINIMUM OUTPUT must not be lower than the minimum limit shown in the diagram.

- RS 70 = 192 kW
- RS 100 = 232 kW
- RS 130 = 372 kW

Important

The FIRING RATE value range has been obtained considering an ambient temperature of 20 °C, and an atmospheric pressure of 1000 mbar (approx. 100 m above sea level) and with the combustion head adjusted as shown on page 7.

TEST BOILER (B)

The firing rates were set in relation to special test boilers, according to EN 676 regulations. Figure (B) indicates the diameter and length of the test combustion chamber.

Example:

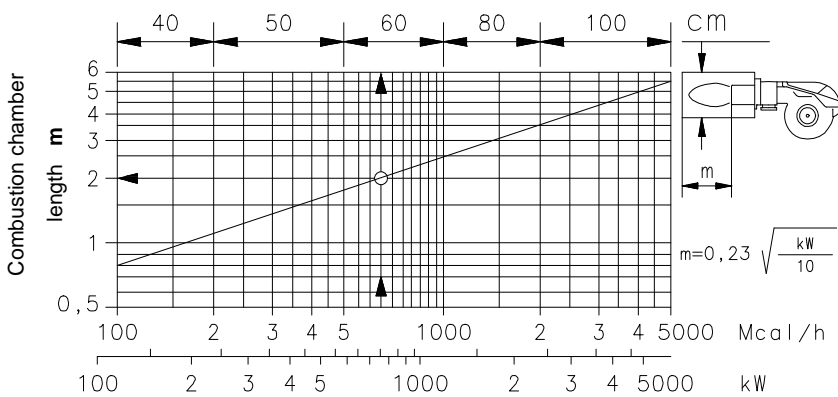
Output 756 kW:
diameter = 60 cm; length = 2 m.

COMMERCIAL BOILERS

The burner/boiler combination does not pose any problems if the boiler is CE type-approved and its combustion chamber dimensions are similar to those indicated in diagram (B).

If the burner must be combined with a commercial boiler that has not been CE type-approved and/or its combustion chamber dimensions are clearly smaller than those indicated in diagram (B), consult the manufacturer.

(A) D950



(B) D715

RS 70

Δp (mbar)

kW	1	2	3					
			Ø 1" 1/2	Ø 1" 1/2	Ø 2"	Ø 2"	DN 65	DN80
			3970145	3970180	3970146 3970160	3970181 3970182	3970147 3970161	3970148 3970162
465	4,2	0,2	11,6	8,5	4,8	5,2	-	-
515	4,8	0,2	13,9	10,0	5,8	6,2	-	-
565	5,6	0,3	16,3	12,0	6,8	7,2	-	-
615	6,4	0,3	18,9	13,5	8,0	8,2	-	-
665	7,3	0,3	21,7	15,0	9,2	9,5	-	-
715	8,3	0,4	24,6	17,2	10,5	10,8	-	-
765	9,3	0,4	27,7	18,5	11,3	11,5	4,4	-
814	10,3	0,4	30,9	20,0	13,2	13,0	5,0	-

RS 100

Δp (mbar)

kW	1	2	3					
			Ø 1" 1/2	Ø 1" 1/2	Ø 2"	Ø 2"	DN 65	DN80
			3970145	3970180	3970146 3970160	3970181 3970182	3970147 3970161	3970148 3970162
695	3,7	0,4	23,5	17,0	9,9	10,1	-	-
760	4,2	0,4	27,4	18,5	11,7	11,5	4,4	-
825	5,0	0,5	31,6	20,5	13,6	13,2	5,1	-
890	5,8	0,5	36,1	23,0	15,6	14,0	5,8	-
955	6,5	0,6	40,9	26,0	17,7	16,0	6,6	-
1020	7,3	0,7	45,9	29,0	19,9	18,0	7,5	-
1085	8,3	0,8	51,1	33,0	22,3	20,0	8,4	4,5
1163	9,3	0,8	57,7	38,0	25,3	22,0	9,5	5,0

RS 130

Δp (mbar)

kW	1	2	3					
			Ø 1" 1/2	Ø 1" 1/2	Ø 2"	Ø 2"	DN 65	DN80
			3970145	3970180	3970146 3970160	3970181 3970182	3970147 3970161	3970148 3970162
930	3,8	1,0	39,0	22,0	16,9	15,0	6,3	-
1010	4,5	1,1	44,9	28,0	19,6	17,0	7,4	-
1090	5,1	1,3	51,5	33,0	22,5	20,0	8,5	4,5
1170	5,8	1,5	58,3	37,0	25,6	22,0	9,6	5,1
1250	6,5	1,7	65,4	40,0	28,8	25,0	10,8	5,7
1330	7,2	1,8	72,9	43,0	32,2	28,0	12,2	6,4
1410	7,9	1,9	80,7	48,0	35,8	31,0	13,6	7,1
1512	8,6	2,0	91,2	53,0	40,6	34,0	15,3	8,0

(A)

GAS PRESSURE

The adjacent tables show minimum pressure losses along the gas supply line depending on the burner output in 2nd stage operation.

Column 1

Pressure loss at combustion head.

Gas pressure measured at test point 1)(B), with:

- Combustion chamber at 0 mbar
- Burner operating in 2nd stage
- Gas ring 2)(B)p. 7 adjusted as indicated in diagram (C)p. 7.

Column 2

Pressure loss at gas butterfly valve 2)(B) with maximum opening: 90°.

Column 3

Pressure loss of gas train 3)(B) includes: adjustment valve VR, safety valve VS (both fully open), pressure governor R, filter F.

The values shown in the various tables refer to: natural gas G20 PCI 10 kWh/Nm³ (8.6 Mcal/Nm³). With:

natural gas G25 PCI 8.6 kWh/Nm³ (7.4 Mcal/Nm³) multiply tabulated values by 1.3.

Calculate the approximate 2nd stage output of the burner thus:

- subtract the combustion chamber pressure from the gas pressure measured at test point 1)(B).
- Find the nearest pressure value to your result in column 1 of the table for the burner in question.
- Read off the corresponding output on the left.

Example - RS 100:

- 2nd stage operation
 - Natural gas G20 PCI 10 kWh/Nm³
 - Gas ring 2)(B)p. 7 adjusted as indicated in diagram (C)p. 7.
 - Gas pressure at test point 1)(B) = 8 mbar
 - Pressure in combustion chamber = 3 mbar
- 8 - 3 = 5 mbar

A 2nd stage output of 825 kW shown in Table RS 100 corresponds to 5 mbar pressure, column 1.

This value serves as a rough guide, the effective delivery must be measured at the gas meter.

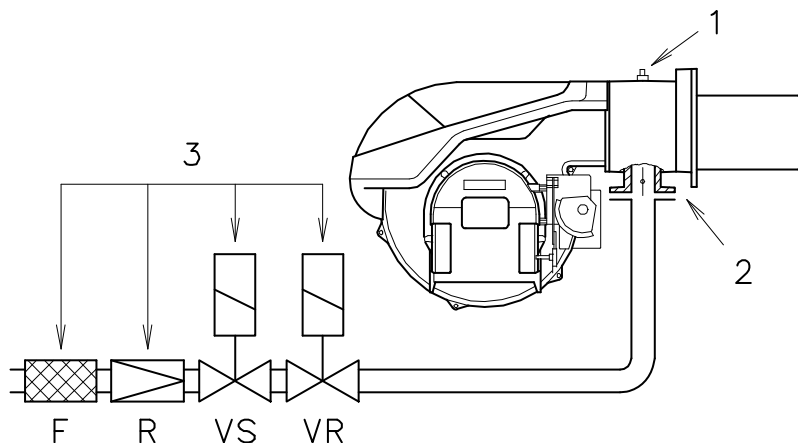
To calculate the required gas pressure at test point 1)(B), set the output required from the burner in 2nd stage operation:

- find the nearest output value in the table for the burner in question.
- Read off the pressure at test point 1)(B) on the right in column 1.
- Add this value to the estimated pressure in the combustion chamber.

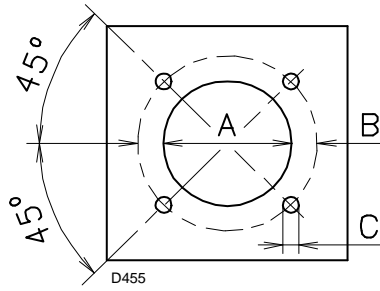
Example - RS 100:

- Required burner output in 2nd stage operation: 825 kW
 - Natural gas G20 PCI 10 kWh/Nm³
 - Gas ring 2)(B)p.7 adjusted as diagram (C)p.7.
 - Gas pressure at burner output of 825 kW, taken from table RS 100, column 1 = 5 mbar
 - Pressure in combustion chamber = 3 mbar
- 5 + 3 = 8 mbar
pressure required at test point 1)(B).
- 4 + 2 = 6 mbar
pressure required at test point 1)(B).

(B)



mm	A	B	C
RS 70	185	275 - 325	M 12
RS 100	185	275 - 325	M 12
RS 130	195	275 - 325	M 12



(A)

INSTALLATION

BOILER PLATE (A)

Drill the combustion chamber locking plate as shown in (A). The position of the threaded holes can be marked using the thermal screen supplied with the burner.

BLAST TUBE LENGTH (B)

The length of the blast tube must be selected according to the indications provided by the manufacturer of the boiler, and in any case it must be greater than the thickness of the boiler door complete with its fettling. The range of lengths available, L (mm), is as follows:

Blast tube 12):	RS 70	RS 100	RS 130
• short	250	250	280
• long	385	385	415

For boilers with front flue passes 15) or flame inversion chambers, protective fettling in refractory material 13) must be inserted between the boiler fettling 14) and the blast tube 12).

This protective fettling must not compromise the extraction of the blast tube.

For boilers having a water-cooled front the refractory fettling 13)-14)(B) is not required unless it is expressly requested by the boiler manufacturer.

SECURING THE BURNER TO THE BOILER (B)

Before securing the burner to the boiler, check through the blast tube opening to make sure that the flame sensor probe and the ignition electrode are correctly set in position, as shown in (C).

Now detach the combustion head from the burner, fig.(B):

- loosen the 4 screws 3) and remove the cover 1)
 - Disengage the articulated coupling 7) from the graduated sector 8).
 - Remove the screws 2) from the slide bars 5).
 - Remove the two screws 4) and pull the burner back on slide bars 5) by about 100 mm.
- Disconnect the wires from the probe and the electrode and then pull the burner completely off the slide bars.

COMBUSTION HEAD CALIBRATION

At this point check, for model RS 130, whether the maximum delivery of the burner in 2nd stage operation is contained in area A or in area B of the firing rate. See page 8.

If it is in area A then no operation is required.

If, on the other hand, it is in area B:

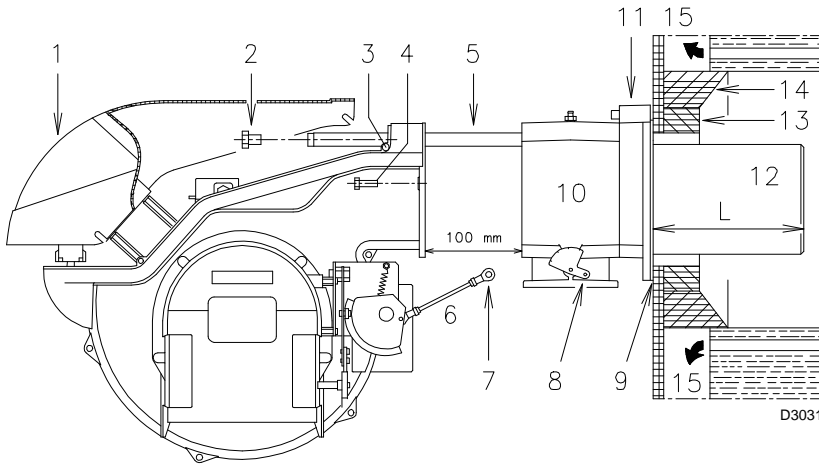
- unscrew the screws 1)(D) and disassemble the blast tube 2).
- Move the fixing of the rod 3)(D) from position A to position B, thereby causing the shutter 4) to retract.
- Now refit the blast tube 2)(D) and the screws 1).

Once this operation has been carried out (if it was required), secure the flange 11)(B) to the boiler plate, interposing the thermal insulating screen 9)(B) supplied with the burner. Use the 4 screws, also supplied with the unit, after first protecting the thread with an anti-locking product.

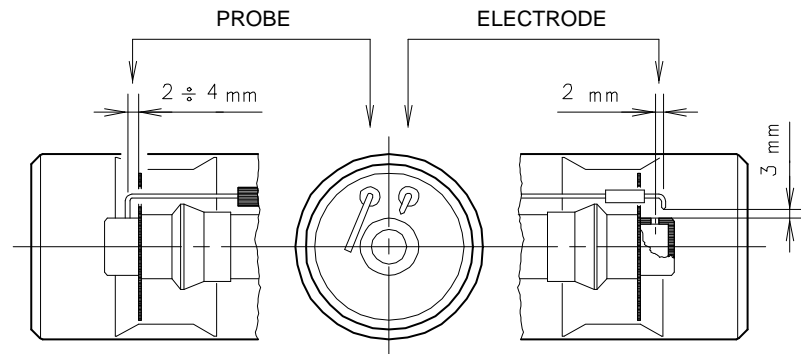
The seal between burner and boiler must be airtight.

If you noticed any irregularities in positions of the probe or ignition electrode during the check mentioned above, remove screw 1)(E), extract the internal part 2)(E) of the head and proceed to set up the two components correctly.

Do not attempt to turn the probe. Leave it in the position shown in (C) since if it is located too close to the ignition electrode the control box amplifier may be damaged.

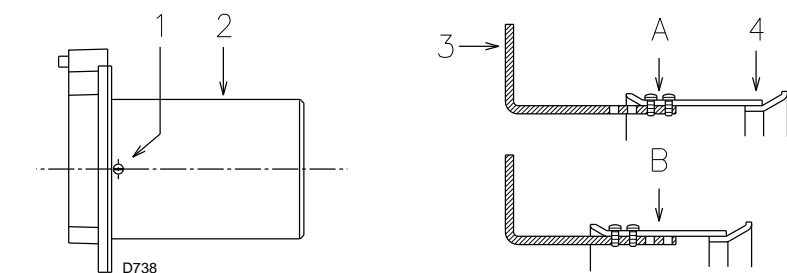


(B)



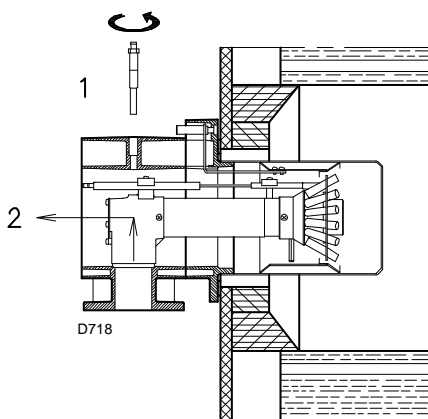
D613

(C)



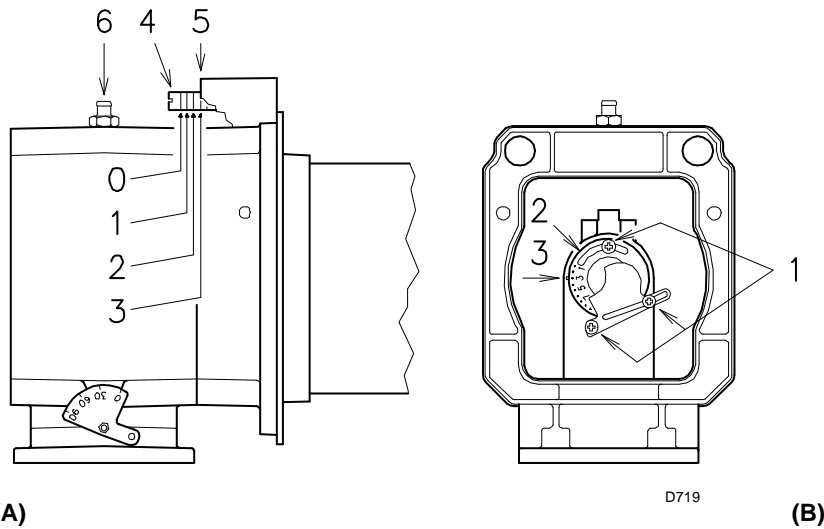
D738

(D)



D718

(E)



SETTING THE COMBUSTION HEAD

Installation operations are now at the stage where the blast tube and sleeve are secured to the boiler as shown in fig. (A). It is now a very simple matter to set up the combustion head, as this depends solely on the output developed by the burner in 2nd stage operation.

It is therefore essential to establish this value before proceeding to set up the combustion head.

There are two adjustments to make on the head:
air and gas deliveries.

In diagram (C) find the notch to use for adjusting the air and the gas, and then proceed as follows:

Air adjustment (A)

Turn screw 4)(A) until the notch identified is aligned with the front surface 5)(A) of the flange.

Gas adjustment (B)

Loosen the 3 screws 1)(B) and turn ring 2) until the notch identified is aligned with index 3). Tighten the 3 screws 1) fully down.

Example RS 70:

Burner output = 581 kW (500 Mcal/h).

If we consult diagram (C) we find that for this output, air and gas must be adjusted using notch 3, as shown in figs.(A) and (B).

Note

Diagram (C) shows the ideal settings for the combustion head. If the gas mains pressure is too low to reach the 2nd stage operation pressure indicated on page 5, and if the ring 2)(B) is not fully open, it can be opened wider by 1 or 2 notches.

Continuing with the previous example, page 5 indicates that for burner RS 70 with output of 581 kW (500 Mcal/h) a pressure of approximately 6 mbar is necessary at test point 6)(A). If this pressure cannot be reached, open the ring 2)(B) to notch 4 or 5.

Make sure that the combustion characteristics are satisfactory and free of pulsations.

Once you have finished setting up the head, refit the burner to the slide bars 3)(D) at approximately 100 mm from the sleeve 4)(D) - burner positioned as shown in fig.(B)p.6 - insert the flame detection probe cable and the ignition electrode cable and then slide the burner up to the sleeve so that it is positioned as shown in fig.(D).

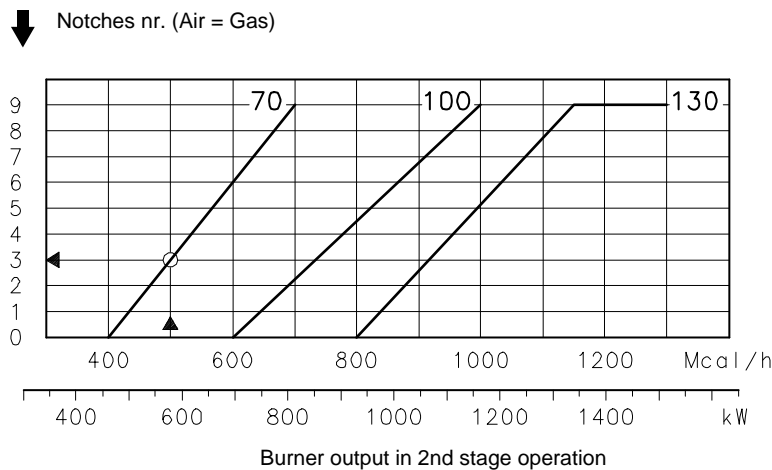
Refit screws 2) on slide bars 3).

Secure the burner to the sleeve by tightening screw 1).

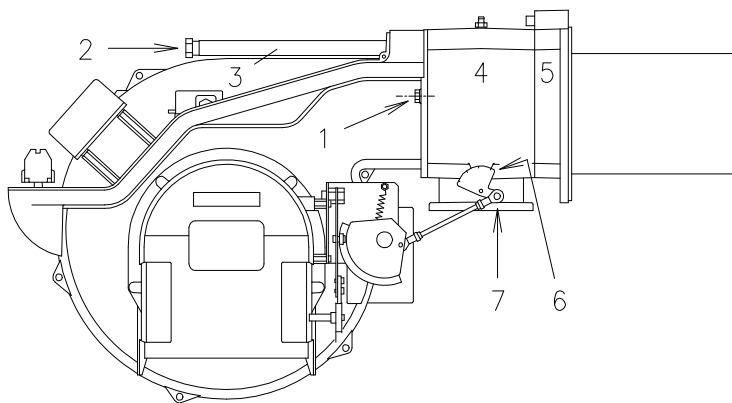
Reconnect the articulation 7) to the graduated sector 6).

Important

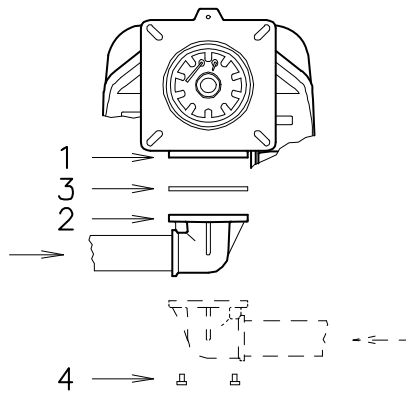
When fitting the burner on the two slide bars, it is advisable to gently draw out the high tension cable and flame detection probe cable until they are slightly stretched.



(C) D720



(D) D3032



(A)

D722

GAS LINE

- The gas train must be connected to the gas attachment 1)(A), using flange 2), gasket 3) and screws 4) supplied with the burner.
- The gas train can enter the burner from the right or left side, depending on which is the most convenient, see fig.(A).
- Gas solenoids 8)-9)(B) must be as close as possible to the burner to ensure gas reaches the combustion head within the safety time range of 3 s.
- Make sure that the pressure governor calibration range (colour of the spring) comprises the pressure required by the burner.

GAS TRAIN (B)

It is type-approved according to EN 676 Standards and is supplied separately from the burner with the code indicated in Table (C).

KEY (B)

- 1 - Gas input pipe
 - 2 - Manual valve
 - 3 - Vibration damping joint
 - 4 - Pressure gauge with pushbutton cock
 - 5 - Filter
 - 6 - Pressure governor (vertical)
 - 7 - Minimum gas pressure switch
 - 8 - Safety solenoid VS (vertical)
 - 9 - Adjustment solenoid VR (vertical)
- Two adjustments:
- ignition delivery (rapid opening)
 - maximum delivery (slow opening)
- 10 - Standard issue burner gasket with flange
 - 11 - Gas adjustment butterfly valve
 - 12 - Burner
 - 13 - Gas valve 8)-9) leak detection control device.

In accordance with EN 676 Standards, gas valve leak detection control devices are compulsory for burners with maximum outputs of more than 1200 kW; therefore only for model RS 130.

14 - Gas train/burner adaptor.

P1 - Pressure at combustion head

P2 - Pressure down-line from the pressure governor

P3 - Pressure up-line from the filter

L - Gas train supplied separately with the code indicated in Table (C)

L1 - The responsibility of the installer

KEY TO TABLE (C)

C.T.=Gas valves 8) - 9) leak detection control devices:

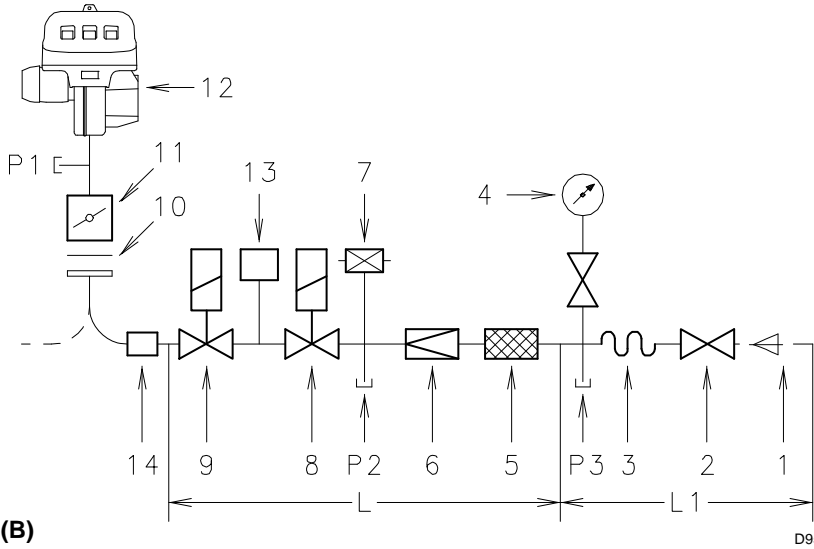
- = Gas train without gas valve leak detection control device; device that can be ordered separately and assembled subsequently (see Column 13).
- ◆ = Gas train with assembled VPS valve leak detection control device.

13 = VPS valve leak detection control device. Supplied separately from gas train on request.

14 = Gas train/burner adaptor. Supplied separately from gas train on request.

Note

See the accompanying instructions for the adjustment of the gas train.



(B)

D953

GAS BURNERS AND RELEVANT GAS TRAINS APPROVED ACCORDING TO EN 676

Gas train L			Burner			13	14
Ø	C.T.	Code	RS 70	RS 100	RS 130	Code	Code
1"1/2	-	3970145	•	•	•	3010123	3000843
1"1/2	-	3970180	•	•	•	3010123	3000843
2"	-	3970146	•	•	•	3010123	-
2"	◆	3970160	•	•	•	-	-
2"	-	3970181	•	•	•	3010123	-
2"	◆	3970182	•	•	•	-	-
DN 65	-	3970147	•	•	•	3010123	3000825
DN 65	◆	3970161	•	•	•	-	3000825
DN 80	-	3970148	-	-	•	3010123	3000826
DN 80	◆	3970162	-	-	•	-	3000826

(C)

GAS TRAIN COMPONENTS

Code	Components		
	Filter 5	Pressure governor 6	Solenoids 8 - 9
3970145	GF 515/1	FRS 515	DMV-DLE 512/11
3970180	Multiblock MB DLE 415		
3970146 3970160	GF 520/1	FRS 520	DMV-DLE 520/11
3970181 3970182	Multiblock MB DLE 420		
3970147 3970161	GF 40065/3	FRS 5065	DMV-DLE 5065/11
3970148 3970162	GF 40080/3	FRS 5080	DMV-DLE 5080/11

ELECTRICAL SYSTEM

ELECTRICAL SYSTEM as set up by the manufacturer

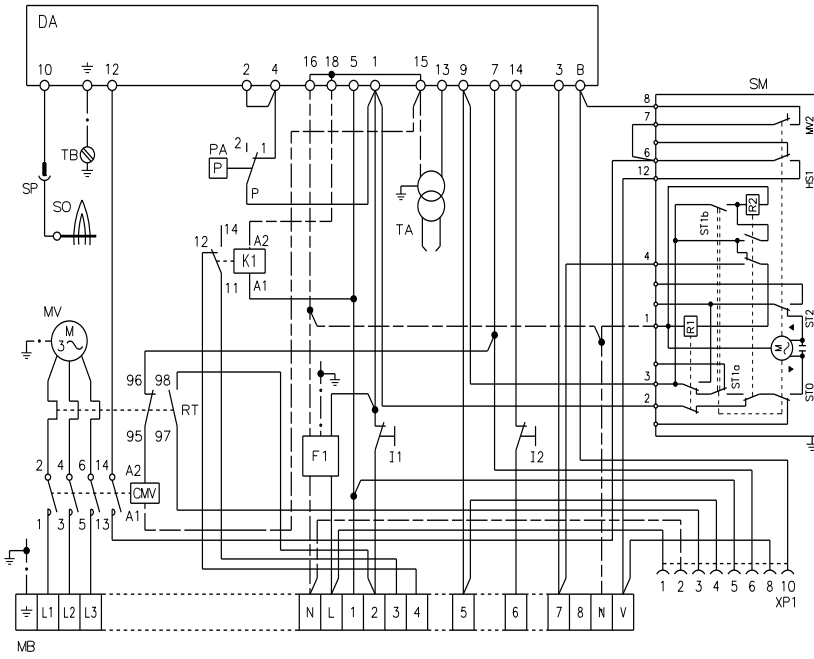
LAYOUT (A)

Burners RS 70 - RS 100 - RS 130

- Models RS 70 - RS 100 - RS 130 leave the factory preset for **400 V** power supply.
- If **230 V** power supply is used, change the motor connection from star to delta and change the setting of the thermal cut-out as well.

Key to Layout (A)

- CMV - Motor contactor
- DA - Control box (Landis RMG)
- F1 - Protection against radio interference
- K1 - Relay
- I1 - Switch: burner off - on
- I2 - Switch: 1st - 2nd stage operation
- MB - Burner terminal strip
- MV - Fan motor
- PA - Air pressure switch
- RT - Thermal cut-out
- SM - Servomotor
- SO - Ionisation probe
- SP - Plug-socket
- TA - Ignition transformer
- TB - Burner ground
- XP1 - Connector

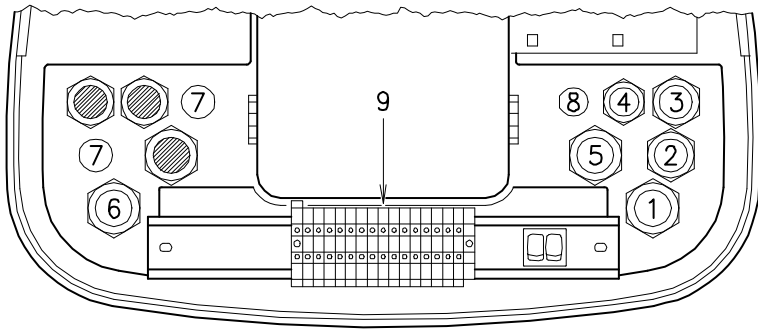


(A)

D3055

ATTENTION

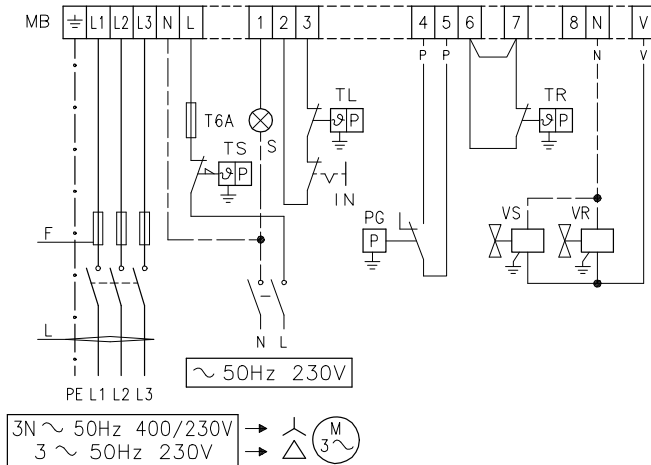
In the case of phase-phase feed, a bridge must be fitted on the control box terminal strip between terminal 6 and the earth terminal.



(A)

D955

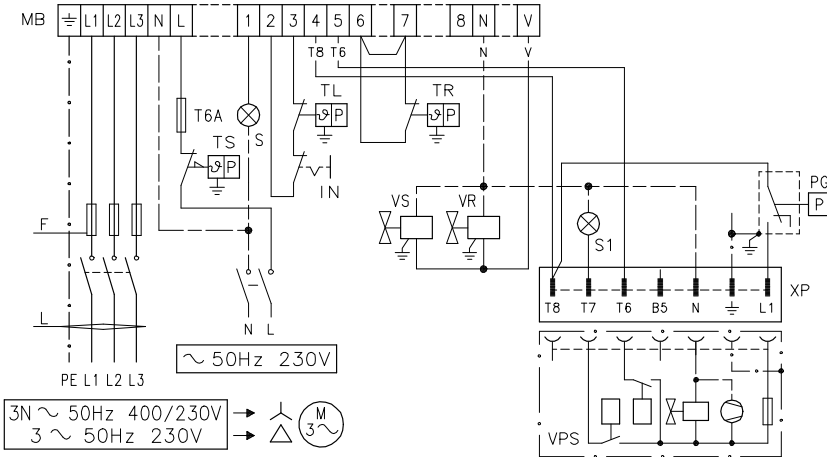
RS 70 - RS 100 - RS 130 without leak detection control device



(B)

D956

RS 70 - RS 100 - RS 130 with leak detection control device VPS



(C)

D957

ELECTRICAL CONNECTIONS

Use flexible cables according to EN 60 335-1

Regulations:

- if in PVC sheath, use at least H05 VV-F
- if in rubber sheath, use at least H05 RR-F.

All the wires to connect to the burner terminal strip 9)(A) must enter through the supplied fair-leads.

The fairleads and hole press-outs can be used in various ways; the following lists show one possible solution:

- 1 - Pg 13,5 Three-phase power supply
- 2 - Pg 11 Single-phase power supply
- 3 - Pg 11 Remote control device TL
- 4 - Pg 9 Remote control device TR
- 5 - Pg 13,5 Gas valves
- 6 - Pg 13,5 Gas pressure switch or gas valve leak detection control device
- 7 - Pg 11 Open the hole, if a pipe union is to be added
- 8 - Pg 9 Open the hole, if a pipe union is to be added

LAYOUT (B)

Electrical connection RS 70 - 100 - 130 burners without leak detection control device.

LAYOUT (C)

Electrical connection RS 70 - 100 - 130 burners with VPS leak detection control device.

Gas valve leak detection control takes place immediately before every burner start-up.

Fuses and cables cross-section layouts (B) and (C), see table (D).

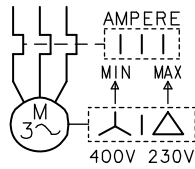
Cross-section when not indicated: 1,5 mm².

KEY TO LAYOUTS (B - C)

- IN - Burner manual stop switch
- XP- Plug for leak detection control device
- MB- Burner terminal strip
- PG- Min. gas pressure switch
- S - Remote lock-out signal
- S1 - Remote lock-out signal of leak detection control device
- TR- High-low mode load remote control system: controls operating stages 1 and 2. If the burner is to be set up for single stage operation, replace of remote control device TR with a jumper.
- TL - Load limit remote control system: shuts down the burner when the boiler temperature or pressure reaches the preset value.
- TS- Safety load control system: operates when TL is faulty
- VR- Adjustment valve
- VS- Safety valve

	RS 70		RS 100		RS 130		
	230 V	400 V	230 V	400 V	230 V	400 V	
F	A	T10	T6	T16	T10	T16	T10
L	mm ²	1,5	1,5	1,5	1,5	1,5	1,5

(D)



(A)

D867

LAYOUT (A)

Calibration of thermal cut-out 7)(A)p. 3

This is required to avoid motor burn-out in the event of a significant increase in power absorption caused by a missing phase.

- If the motor is star-powered, **400 V**, the cursor should be positioned to "MIN".
- If the motor is delta-powered, **230 V**, the cursor should be positioned to "MAX".

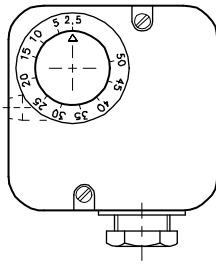
Even if the scale of the thermal cut-out does not include rated motor absorption at 400 V, protection is still ensured in any case.

N.B.

- The RS 70-100-130 burners leave the factory preset for 400 V power supply. If 230 V power supply is used, change the motor connection from star to delta and change the setting of the thermal cut-out as well.
- The RS 70-100-130 burners have been type-approved for intermittent operation. This means they should compulsorily be stopped at least once every 24 hours to enable the control box to check its own efficiency at start-up. Burner halts are normally provided for automatically by the boiler load control system.
If this is not the case, a time switch should be fitted in series to IN to provide for burner shut-down at least once every 24 hours.
- The RS 70-100-130 burners are factory set for two-stage operation and must therefore be connected to control device TR.
Alternatively, if single stage operation is required, instead of control device TR install a jumper lead between terminals 6 and 7 of the terminal strip.

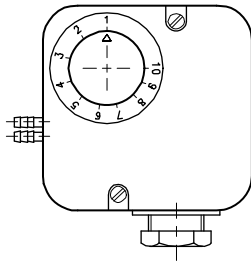
WARNING: Do not invert the neutral with the phase wire in the electricity supply line. Inverting the wires will make the burner go into lock-out because of firing failure.

MIN GAS PRESSURE SWITCH



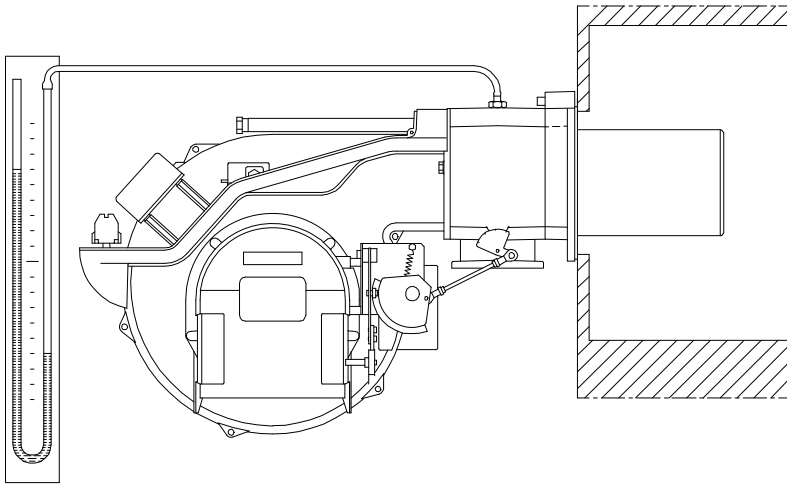
(A)

AIR PRESSURE SWITCH



(B)

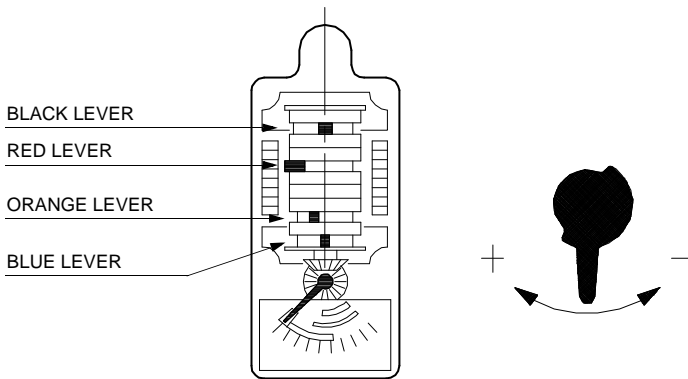
D897



(C)

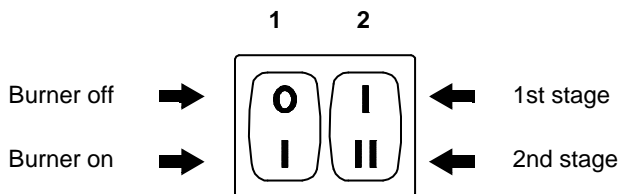
D3033

SERVOMOTOR



(D)

D728



(E)

D469

ADJUSTMENTS BEFORE FIRST FIRING

Adjustment of the combustion head, and air and gas deliveries has been illustrated on page 7.

In addition, the following adjustments must also be made:

- open manual valves up-line from the gas train.
- Adjust the minimum gas pressure switch to the start of the scale (A).
- Adjust the air pressure switch to the zero position of the scale (B).
- Purge the air from the gas line. Continue to purge the air (we recommend using a plastic tube routed outside the building) until gas is smelt.
- Fit a U-type manometer (C) to the gas pressure test point on the sleeve. The manometer readings are used to calculate the 2nd stage operation burner power using the tables on page 5.
- Connect two lamps or testers to the two gas line solenoid valves VR and VS to check the exact moment at which voltage is supplied. This operation is unnecessary if each of the two solenoid valves is equipped with a pilot light that signals voltage passing through.

Before starting up the burner it is good practice to adjust the gas train so that ignition takes place in conditions of maximum safety, i.e. with gas delivery at the minimum.

SERVOMOTOR (D)

The servomotor provides simultaneous adjustment of the air gate valve, by means of the variable profile cam, and the gas butterfly valve. The angle of rotation of the servomotor is equal to the angle on the graduated sector controlling the gas butterfly valve. The servomotor rotates through 90 degrees in 15 seconds.

Do not alter the factory setting for the 4 levers; simply check that they are set as indicated below:

- RED LEVER** : 90°
Limits rotation toward maximum position. When the burner is in 2nd stage operation the gas butterfly valve must be fully open: 90°.
- BLUE LEVER** : 0°
Limits rotation toward the minimum position. When the burner is shut down the air gate valve and the gas butterfly valve must be closed: 0°.
- ORANGE LEVER** : 15°
Adjusts the ignition position and the output in 1st stage operation.
- BLACK LEVER** : 85°
Lights up the 2nd stage LED. A graduated plate with 4 coloured sectors marks the lever operation point.

BURNER STARTING

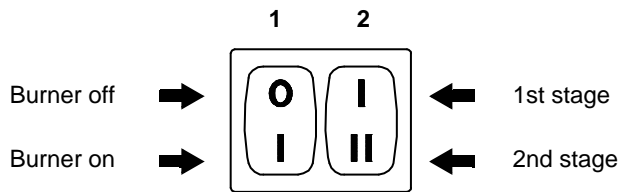
Close the control devices and set:

- switch 1)(E) to "Burner ON" position;
- switch 2)(E) to "1st STAGE" position.

As soon as the burner starts check the direction of rotation of the fan blade, looking through the flame inspection window 13)(A)p.3. Make sure that the lamps or testers connected to the solenoids, or pilot lights on the solenoids themselves, indicate that no voltage is present. If voltage is present, then **immediately** stop the burner and check electrical connections.

BURNER FIRING

Having completed the checks indicated in the previous heading, the burner should fire. If the motor starts but the flame does not appear and the control box goes into lock-out, reset and wait for a new firing attempt. If firing is still not achieved, it may be that gas is not reaching the combustion head within the safety time period of 3 seconds. In this case increase gas firing delivery. The arrival of gas at the sleeve is indicated by the U-type manometer (C). Once the burner has fired, now proceed with global calibration operations.



(A)

D469

BURNER CALIBRATION

The optimum calibration of the burner requires an analysis of the flue gases at the boiler outlet.

Adjust successively:

- 1 - First firing output
- 2 - 2nd stage burner output
- 3 - 1st stage burner output
- 4 - Intermediate outputs between 1st and 2nd stage
- 5 - Air pressure switch
- 6 - Minimum gas pressure switch

1 - FIRING OUTPUT

According to EN 676 Regulations:

Burners with max. output up to 120 kW

Firing can be performed at the maximum operation output level. Example:

- Max. operation output : 120 kW
- Max. firing output : 120 kW

Burners with max. output above 120 kW

Firing must be performed at a lower output than the max. operation output. If the firing output does not exceed 120 kW, no calculations are required. If firing output exceeds 120 kW, the regulations prescribe that the value be defined according to the control box safety time "ts":

- for "ts" = 2s, firing output must be equal to or lower than 1/2 of max. operation output.
- For "ts" = 3s, firing output must be equal to or lower than 1/3 of max. operation output.

Example: MAX operation output of 600 kW.

Firing output must be equal to or lower than:

- 300 kW with "ts" = 2s
- 200 kW with "ts" = 3s

In order to measure the firing output:

- disconnect the plug-socket 8)(A)p.3 on the ionization probe cable (the burner will fire and then go into lock-out after the safety time has elapsed).
- Perform 10 firings with consecutive lock-outs.
- On the meter read the quantity of gas burned. This quantity must be equal to or lower than the quantity given by the formula, for ts = 3s:

$$\frac{\text{Nm}^3/\text{h (max. burner delivery)}}{360}$$

Example: for G 20 gas (10 kWh/Nm³):

Max. operation output: 600 kW corresponding to 60 Nm³/h.

After 10 firings with lock-outs, the delivery read on the meter must be equal to or lower than:

$$60 : 360 = 0,166 \text{ Nm}^3.$$

2 - 2ND STAGE OUTPUT

2nd stage output of the burner must be set within the firing rate range shown on page 4.

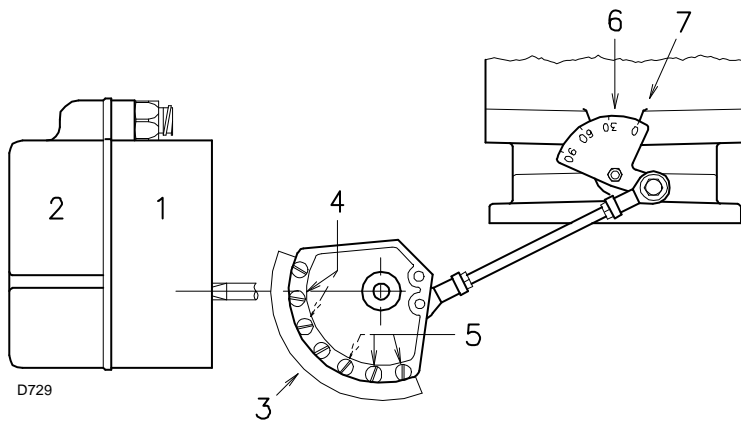
In the above instructions we left the burner running in 1st stage operation. Now set switch 2)(A) to the 2nd stage position: the servomotor will open, simultaneously, the air gate valve and the gas butterfly valve to 90°.

Gas calibration

Measure the gas delivery at the meter.

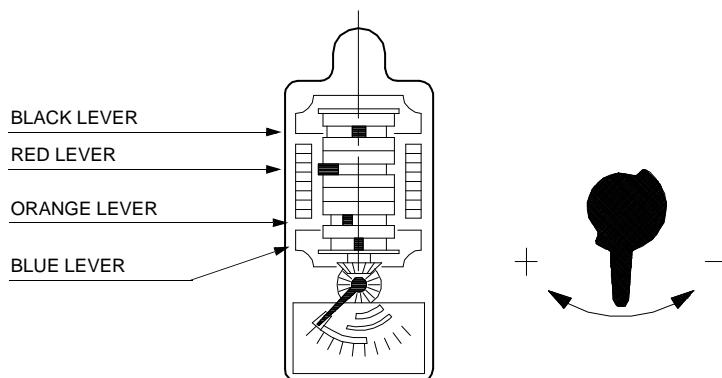
A guideline indication can be calculated from the tables on page 5, simply read off the gas pressure on the U-type manometer, see fig.(C) on page 12, and follow the instructions on page 5.

- If delivery needs to be reduced, diminish outlet gas pressure and, if it is already very low, slightly close adjustment valve VR.
- If delivery needs to be increased, increase outlet gas pressure.



- D729
- 1 Servomotor
 - 2 Cam cover
 - 3 Adjustable profile cam
 - 4 Cam starting profile adjustment screws
 - 5 Cam end profile adjustment screws
 - 6 Graduated sector for gas butterfly valve
 - 7 Index for graduated sector 6

(A)



(B)

Adjusting air delivery

Progressively adjust the end profile of cam 3)(A) by turning the screws 5).

- Turn the screws clockwise to increase air delivery.
- Turn the screws counter-clockwise to reduce air delivery.

3 - 1ST STAGE OUTPUT

Burner power in 1st stage operation must be selected within the firing rate range shown on page 4.

Set the switch 2)(A)p.13 to the 1st stage position: the servomotor 1)(A) will close the air gate valve and, at the same time, closes the gas butterfly valve down to 15°, i.e. down to the original factory setting.

Adjusting gas delivery

Measure the delivery of gas from the gas meter.

- If this value is to be reduced, decrease the angle of the orange lever (B) slightly by proceeding a little at a time until the angle is changed from 15° to 13° or 11°....
- If it is necessary to increase the mains pressure, move to 2nd stage operation by altering the setting of switch 2)(A)p.13 and increase the angle of the orange lever, proceeding a little at a time until the angle is changed from 15° to 17° - 19°....

At this point return to 1st stage operation and measure gas delivery.

Note

The servomotor follows the adjustment of the orange lever only when the angle is reduced.

If, however the angle must be increased, switch to 2nd stage operation, increase the angle and then return to 1st stage operation to check the effect of the adjustment.

Adjustment of air delivery

Progressively adjust the starting profile of cam 3)(A) by turning the screws 4). It is preferable not to turn the first screw since this is used to set the air gate valve to its fully-closed position.

4 - INTERMEDIATE OUTPUTS

Adjustment of gas delivery

No adjustment of gas delivery is required.

Adjustment of air delivery

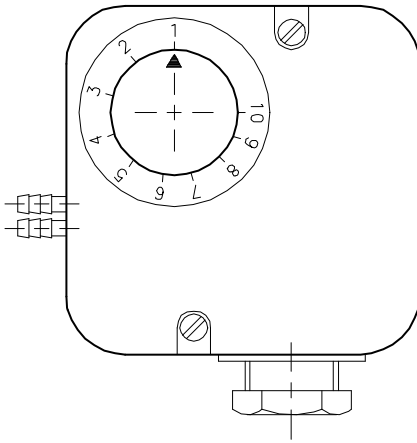
Switch off the burner using switch 1)(A)p.13 and turn the central screws of the cam so that the cam offers a progressive gradient.

Do not alter the position of the screws at each end of the cam track, which have already been adjusted for 1st and 2nd stage air gate valve control.

Note

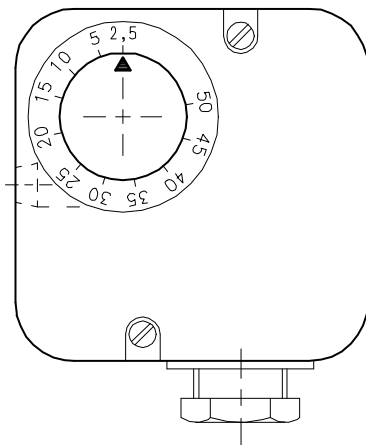
Once you have finished adjusting outputs 2ND STAGE - 1ST STAGE - INTERMEDIATE, check ignition once again: noise emission at this stage must be identical to the following stage of operation.

If you notice any sign of pulsations, reduce the ignition stage delivery.



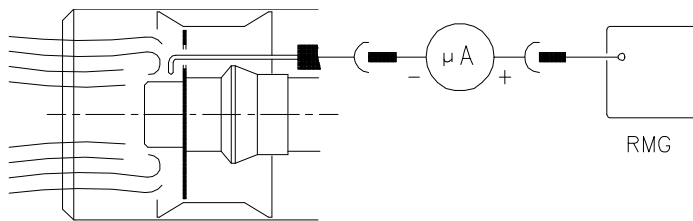
(A)

D521



(B)

D896



(C)

D3023

5 - AIR PRESSURE SWITCH (A)

Adjust the air pressure switch after having performed all other burner adjustments with the air pressure switch set to the start of the scale (A). With the burner operating in 1st stage, increase adjustment pressure by slowly turning the relative knob clockwise until the burner locks out. Then turn the knob anti-clockwise by about 20% of the set point and repeat burner starting to ensure it is correct. If the burner locks out again, turn the knob anti-clockwise a little bit more.

Attention

As a rule, the air pressure switch must limit the CO in the fumes to less than 1% (10,000 ppm). To check this, insert a combustion analyser into the chimney, slowly close the fan suction inlet (for example with cardboard) and check that the burner locks out, before the CO in the fumes exceeds 1%.

The air pressure switch may operate in "differential" operation in two pipe system. If a negative pressure in the combustion chamber during pre-purging prevents the air pressure switch from switching, switching may be obtained by fitting a second pipe between the air pressure switch and the suction inlet of the fan. In such a manner the air pressure switch operates as differential pressure switch.

Warning

The use of the air pressure switch with differential operation is allowed only in industrial applications and where rules enable the air pressure switch to control only fan operation without any reference to CO limit.

6 - MINIMUM GAS PRESSURE SWITCH (B)

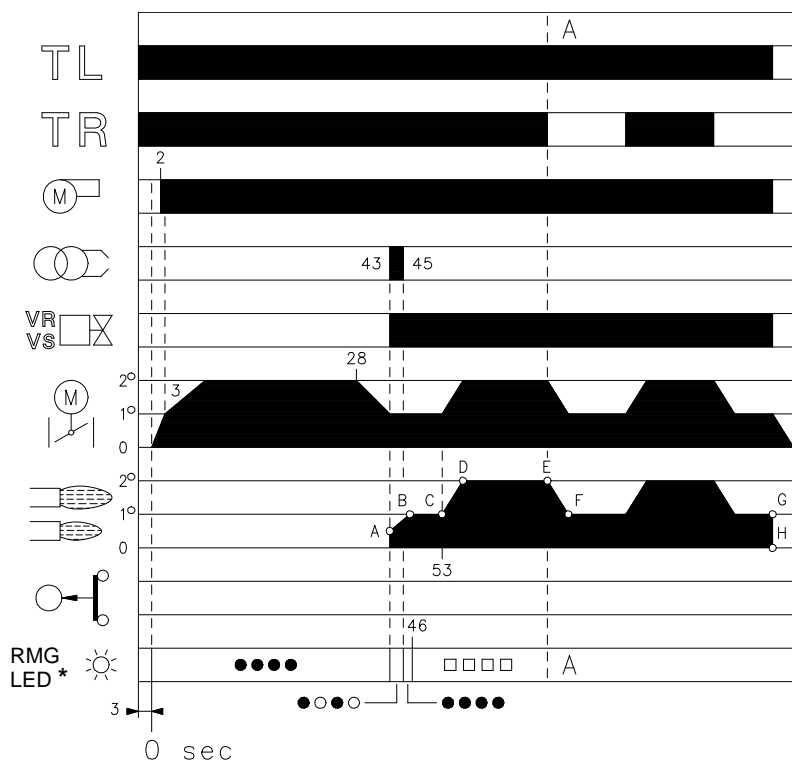
Adjust the minimum gas pressure switch after having performed all the other burner adjustments with the pressure switch set at the start of the scale (B).

With the burner operating in 2nd stage, increase adjustment pressure by slowly turning the relative knob clockwise until the burner locks out. Then turn the knob anti-clockwise by 2 mbar and repeat burner starting to ensure it is uniform. If the burner locks out again, turn the knob anti-clockwise again by 1 mbar.

FLAME PRESENT CHECK (C)

The burner is fitted with an ionisation system which ensures that a flame is present. The minimum current for plant operation is 5 μ A. The burner provides a much higher current, so that controls are not normally required. However, if it is necessary to measure the ionisation current, disconnect the plug-socket 8)(A)p.3 on the ionisation probe cable and insert a direct current microammeter with a base scale of 100 μ A. Carefully check polarities!

NORMAL FIRING
(n° = seconds from instant 0)



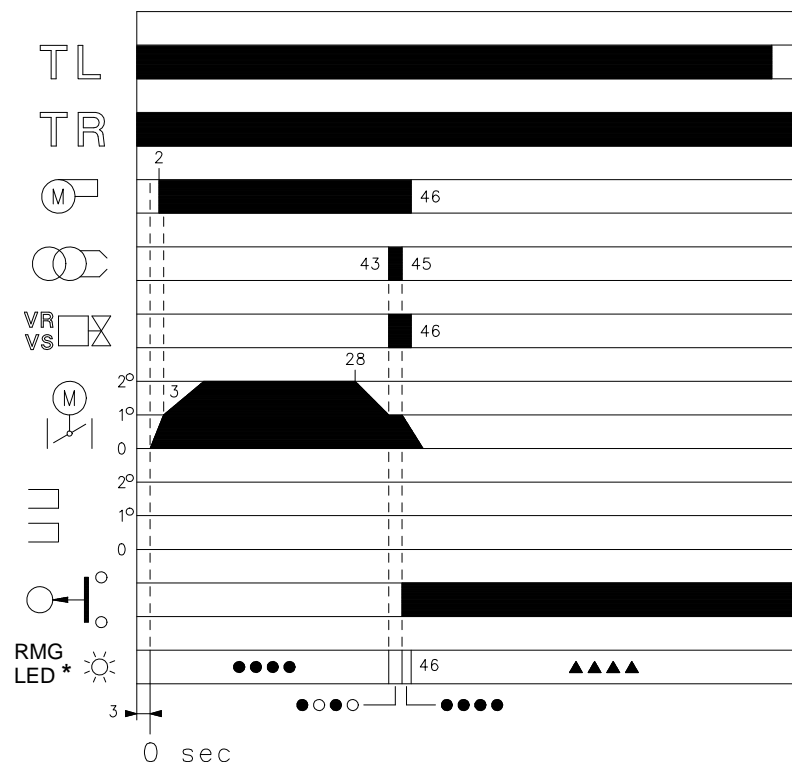
○ Off	● Yellow	□ Green	▲ Red
-------	----------	---------	-------

For further details see page 18.

(A)

D3051

NO FIRING



○ Off	● Yellow	▲ Red
-------	----------	-------

For further details see page 18.

(B)

D3052

BURNER OPERATION

BURNER STARTING (A)

- Control device TL closes. Servomotor starts: it rotates during opening up to the angle set on cam with orange lever. After about 3s:
- 0 s : The control box starting cycle begins.
- 2 s : Fan motor starts.
- 3 s : Servomotor starts: it rotates during opening until contact is made on cam with red lever. The air gate valve is positioned to 2nd stage output. Pre-purge stage with air delivery at 2nd stage output. Duration 25 seconds.
- 28 s : Servomotor starts: it rotates during closing up to the angle set on cam with orange lever.
- 43 s : The air gate valve and the gas butterfly are positioned to 1st stage output. Ignition electrode strikes a spark. Safety valve VS and adjustment valve VR (rapid opening) open. The flame is ignited at a low output level, point A. Output is then progressively increased, with the valve opening slowly up to 1st stage output, point B.
- 45 s : The spark goes out.
- 53 s : If remote control device TR is closed or if it has been replaced by a jumper, the servomotor will continue to turn until the cam with red lever come into operation, setting the air gate valve and the gas butterfly valve to the 2nd stage operation position, section C-D. The control box starting cycle ends.

STEADY STATE OPERATION (A)

System equipped with one control device TR.

Once the starting cycle has come to an end, control of the servomotor passes on to the control device TR that controls boiler temperature or pressure, point D.

(The control box will continue, however, to monitor flame presence and the correct position of the air pressure switch).

- When the temperature or the pressure increases until the control device TR opens, the servomotor closes the gas butterfly valve and the air gate valve and the burner passes from the 2nd to the 1st stage of operation, section E-F.
- When the temperature or pressure decreases until the control device TR closes, the servomotor opens the gas butterfly valve and the air gate valve and the burner passes from the 1st to the 2nd stage of operation, and so on.
- The burner stops when the demand for heat is less than the amount of heat delivered by the burner in the 1st stage, section G-H. Control device TL now opens, the servomotor returns toward the 0° position, limited in this movement by cam with blue lever. The air gate valve closes completely to reduce heat losses to a minimum.

Systems not equipped with control device TR (jumper wire installed)

The burner is fired as described in the case above. If the temperature or pressure increase until control device TL opens, the burner shuts down (Section A-A in the diagram).

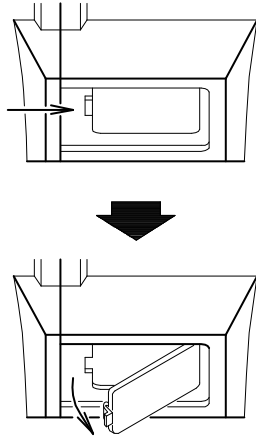
FIRING FAILURE (B)

If the burner does not fire, it goes into lock-out within 3 s of the opening of the gas solenoid valve and 49 s after the closing of control device TL. The control box red pilot light will light up.

BURNER FLAME GOES OUT DURING OPERATION

If the flame should accidentally go out during operation, the burner will lock out within 1s.

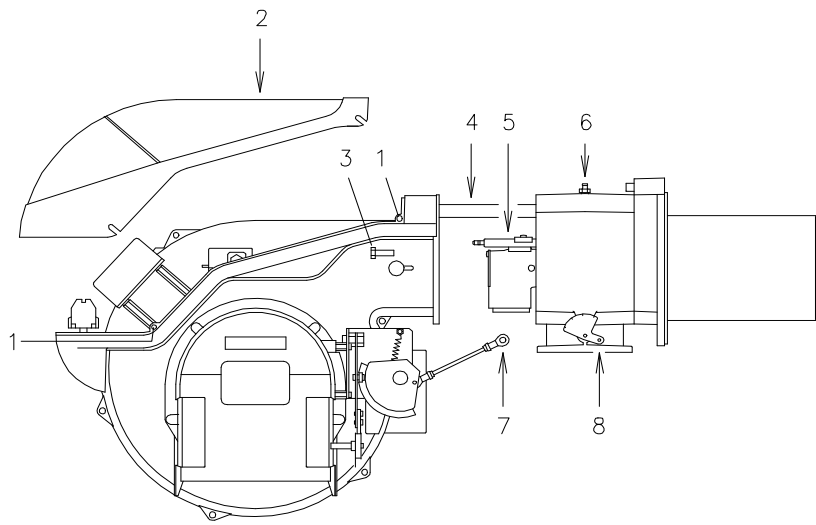
FLAME INSPECTION WINDOW



(A)

D709

OPENING THE BURNER



(B)

D3034

FINAL CHECKS (with burner running)

- Disconnect one of the wires on the minimum gas pressure switch:
- Open remote control device TL:
- Open remote control device TS:
the burner must stop
- Disconnect the common wire P from the air pressure switch:
- Disconnect the ionisation probe lead:
the burner must lock out
- Make sure that the mechanical locking systems on the various adjustment devices are fully tightened.

MAINTENANCE

Combustion

The optimum calibration of the burner requires an analysis of the flue gases. Significant differences with respect to the previous measurements indicate the points where more care should be exercised during maintenance.

Gas leaks

Make sure that there are no gas leaks on the pipework between the gas meter and the burner.

Gas filter

Change the gas filter when it is dirty.

Flame inspection window

Clean the flame inspection window (A).

Combustion head

Open the burner and make sure that all components of the combustion head are in good condition, not deformed by the high temperatures, free of impurities from the surroundings and correctly positioned. If in doubt, disassemble the elbow fitting 5)(B).

Burner

Check for excess wear or loose screws in the mechanisms controlling the air gate valve and the gas butterfly valve. Also make sure that the screws securing the electrical leads in the burner terminal strip are fully tightened. Clean the outside of the burner, taking special care with the transmission joints and cam 3)(A)p.14.

Combustion

Adjust the burner if the combustion values found at the beginning of the operation do not comply with the regulations in force, or at any rate, do not correspond to good combustion. Use the appropriate card to record the new combustion values; they will be useful for subsequent controls.

TO OPEN THE BURNER (B):

- switch off the electrical power.
- Loosen screws 1) and withdraw cover 2).
- Disengage the articulated coupling 7) from the graduated sector 8).
- Fit the two standard supplied extensions onto the slide bars 4) (models with 385-415 mm blast tube).
- Remove screws 3), and pull the burner back by about 100 mm on the slide bars 4). Disconnect the probe and electrode leads and then pull the burner fully back.

Now extract the gas distributor 5) after having removed the screw 6).

TO CLOSE THE BURNER (B):

- push the burner until it is about 100 mm from the sleeve.
- Re-connect the leads and slide in the burner until it comes to a stop.
- Refit screws 3), and pull the probe and electrode leads gently out until they are slightly stretched.
- Re-couple the articulated coupling 7) to the graduated sector 8).
- Remove the two extensions from the slide bars 4).

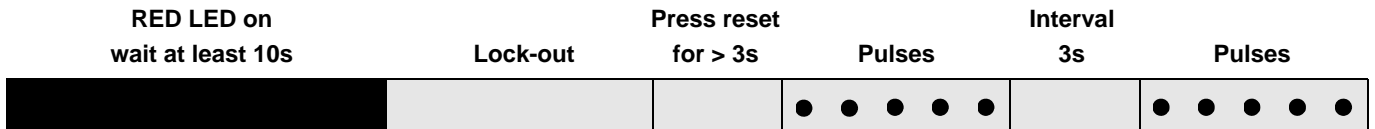
BURNER START-UP CYCLE DIAGNOSTICS

During start-up, indication is according to the following table:

COLOUR CODE TABLE	
Sequences	Colour code
Pre-purging	● ● ● ● ● ● ● ● ● ●
Ignition phase	● ○ ● ○ ● ○ ● ○ ●
Operation, flame ok	□ □ □ □ □ □ □ □ □ □
Operating with weak flame signal	□ ○ □ ○ □ ○ □ ○ □
Electrical supply lower than ~ 170V	● ▲ ● ▲ ● ▲ ● ▲ ●
Lock-out	▲ ▲ ▲ ▲ ▲ ▲ ▲ ▲ ▲
Extraneous light	▲ □ ▲ □ ▲ □ ▲ □ ▲
Key:	○ Off ● Yellow □ Green ▲ Red

RESETTING THE CONTROL BOX AND USING DIAGNOSTICS

The control box features a diagnostics function through which any causes of malfunctioning are easily identified (indicator: **RED LED**). To use this function, you must wait at least 10 seconds once it has entered the safety condition (**lock-out**), and then press the reset button. The control box generates a sequence of pulses (1 second apart), which is repeated at constant 3-second intervals. Once you have seen how many times the light pulses and identified the possible cause, the system must be reset by holding the button down for between 1 and 3 seconds.



The methods that can be used to reset the control box and use diagnostics are given below.

RESETTING THE CONTROL BOX

To reset the control box, proceed as follows:

- Hold the button down for between 1 and 3 seconds.
The burner restarts after a 2-second pause once the button is released.
If the burner does not restart, you must make sure the limit thermostat is closed.

VISUAL DIAGNOSTICS

Indicates the type of burner malfunction causing lock-out.

To view diagnostics, proceed as follows:

- Hold the button down for more than 3 seconds once the red LED (burner lock-out) remains steadily lit.
A yellow light pulses to tell you the operation is done.
Release the button once the light pulses. The number of times it pulses tells you the cause of the malfunction, according to the coding system indicated in the table on page 19.

SOFTWARE DIAGNOSTICS

Reports burner life by means of an optical link with the PC, indicating hours of operation, number and type of lock-outs, serial number of control box etc ...

To view diagnostics, proceed as follows:

- Hold the button down for more than 3 seconds once the red LED (burner lock-out) remains steadily lit.
A yellow light pulses to tell you the operation is done.
Release the button for 1 second and then press again for over 3 seconds until the yellow light pulses again.
Once the button is released, the red LED will flash intermittently with a higher frequency: only now can the optical link be activated.

Once the operations are done, the control box's initial state must be restored using the resetting procedure described above.

BUTTON PRESSED FOR	CONTROL BOX
Between 1 and 3 seconds	Control box reset without viewing visual diagnostics.
More than 3 seconds	Visual diagnostics of lock-out condition: (LED pulses at 1-second intervals).
More than 3 seconds starting from the visual diagnostics condition	Software diagnostics by means of optical interface and PC (hours of operation, malfunctions etc. can be viewed)

The sequence of pulses issued by the control box identifies the possible types of malfunction, which are listed in the table on page 19.

SIGNAL	FAULT	PROBABLE CAUSE	SUGGESTED REMEDY
2 x blinks ● ●	After pre-purge and safety time, the burner goes to lock-out and the flame does not appear	1 - The solenoid VR allows little gas through 2 - Solenoid valves VR or VS fail to open 3 - Gas pressure too low 4 - Ignition electrode wrongly adjusted 5 - Electrode grounded due to broken insulation 6 - High voltage cable defective 7 - High voltage cable deformed by high temperature 8 - Ignition transformer defective 9 - Erroneous valve or transformer electrical connections 10 - Control box defective 11 - A cock down-line of the gas train is closed 12 - Air in pipework 13 - VS and VR gas valves unconnected or with interrupted coil	Increase Renew the coil or rectifier panel Increase pressure at governor Adjust, see fig. (C)p. 6 Replace Replace Replace and protect Replace Open Bleed air Check connections or replace coil
3 x blinks ● ● ●	The burner does not start and lock-out warning appears	14 - Air pressure switch in operating position	Adjust or replace
	The burner starts and then locks out	Air pressure switch inoperative due to insufficient air pressure: 15 - Air pressure switch adjusted badly 16 - Pressure switch pressure point pipe blocked 17 - Head wrongly adjusted 18 - High negative draft in chamber	Adjust or replace Clean Adjust Connect air pressure switch to fan suction inlet
	Lock-out during pre-purging	19 - Defective motor remote control switch 20 - Defective electrical motor 21 - Motor protection tripped	Replace Replace Reset thermal cut-out when third phase is re-connected
4 x blinks ● ● ● ●	The burner starts and then locks out	22 - Flame simulation	Replace control box
	Lock out when burner stops	23 - Flame remains in combustion head or flame simulation	Eliminate persistence of flame or replace control box
7 x blinks ● ● ● ● ● ● ●	The burner goes to lock-out right after flame appearance	24 - The solenoid VR allows little gas through 25 - Ionisation probe wrongly adjusted 26 - Insufficient ionisation (less than 5 µA) 27 - Probe grounded 28 - Burner poorly grounded 29 - Phase and neutral wires inverted 30 - Defective control box	Increase Adjust, see fig. (C)p. 6 Check probe position Withdraw or replace cable Check grounding Correct by intervening Replace
	Burner locks out at transition between 1st and 2nd stage or between 2nd and 1st stage	31 - Too much air or too little gas	Adjust air and gas
	During operation, the burner stops in lock out	32 - Probe or ionisation cable grounded 33 - Fault on air pressure switch	Replace worn parts Replace
10 x blinks ● ● ● ● ● ● ● ●	The burner does not start and lock-out warning appears	34 - Erroneous electrical connections	Check connections
	The burner goes to lock-out	35 - Control box defective 36 - Presence of electromagnetic disturbance	Replace Use the radio disturbance protection kit
No blink	The burner does not start	37 - No electrical power supply 38 - A limiter or safety control device is open 39 - Control box fuses blown 40 - Control box lock-out 41 - No gas supply 42 - Mains gas pressure insufficient 43 - Minimum gas pressure switch fails to close	Close all switches - Check connections Adjust or replace Replace Reset control box Open the manual valves between meter and train Contact your GAS COMPANY Adjust or replace
	The burner repeats the starting cycle without lock out	44 - Mains gas pressure is near the value to which the min. gas pressure switch gas is adjusted. The repeated drop in pressure which follows valve opening causes temporary opening of the pressure switch itself, the valve immediately closes and the burner comes to a halt. Pressure increases again, the pressure switch closes again and the firing cycle is repeated. The sequence repeats endlessly.	Reduce operating pressure of minimum gas pressure switch. Replace gas filter
	Ignition with pulsation	45 - Poorly adjusted head 46 - Ignition electrode wrongly adjusted 47 - Poorly adjusted fan air gate: too much air 48 - Output during ignition phase is too high	Adjust, see p. 7 Adjust, see fig. (C)p. 6 Adjust Reduce
	The burner does not pass to 2nd stage	49 - Remote control device TR does not close 50 - Defective control box 51 - Servomotor faulty	Adjust or replace Replace Replace
	Burner stops with air gate valve open	52 - Servomotor faulty	Replace

ACCESSORIES (optional):

• **RADIO DISTURBANCE PROTECTION KIT**

If the burner is installed in places particularly subject to radio disturbance (emission of signals exceeding 10 V/m) owing to the presence of an INVERTER, or in applications where the length of the thermostat connections exceeds 20 metres, a protection kit is available as an interface between the control box and the burner.

BURNER	RS 70 - RS 100 - RS 130
Code	3010386

• **KIT LONG HEAD**

BURNER	RS 70	RS 100	RS 130
Code	3010117	3010118	3010119

• **KIT FOR LPG OPERATION:** The kit allows the RS 70-100-130 burners to operate on LPG.

BURNER	RS 70		RS 100		RS 130	
Output kW	242 ÷ 814		349 ÷ 1163		466 ÷ 1512	
Blast tube length mm	250	385	250	385	280	415
Code	3010097	3010098	3010099	3010100	3010101	3010102

• **VIBRATION REDUCTION KIT**

BURNER	RS 70		RS 100		RS 130	
Output kW	192 ÷ 814		232 ÷ 1163		185 ÷ 1461	
Blast tube length mm	250	385	250	385	280	415
Code	3010201		3010202		3010373	3010374

• **GROUND FAULT INTERRUPTER:** code **3010329**

• **GAS TRAIN ACCORDING TO REGULATION EN 676 (with valves, pressure governor and filter):** see page 8.

Important: The installer is responsible for the addition of any safety device not foreseen in the present manual.
--

E ÍNDICE

CARACTERÍSTICAS TÉCNICAS	página Nº 2
Datos eléctricos	2
Versiones constructivas	2
Descripción del quemador	3
Embalaje - Peso	3
Dimensiones	3
Forma de suministro	3
Gráficos Caudal, Potencia-Sobrepresión	4
Caldera de prueba	4
Calderas comerciales	4
Presión del gas	5
INSTALACIÓN	6
Placa de caldera	6
Longitud tubo llama	6
Fijación del quemador a la caldera	6
Regulación del cabezal de combustión	7
Línea alimentación gas	8
Instalación eléctrica	9
Regulación previa al encendido	12
Servomotor	12
Puesta en marcha del quemador	12
Encendido del quemador	12
Regulación del quemador:	13
1 - Potencia de encendido	13
2 - Potencia en 2. ^a llama	13
3 - Potencia en 1. ^a llama	14
4 - Potencias intermedias	14
5 - Presostato de aire	15
6 - Presostato gas de mínima	15
Control presencia llama	15
Funcionamiento del quemador	16
Control final	17
Mantenimiento	17
Diagnóstico del programa de puesta en marcha	18
Desbloqueo de la caja de control y uso de la función de diagnóstico	18
Anomalía - Causa Probable - Solución	19
Accesorios	20

Nota

Las figuras que se mencionan en el texto se identifican del modo siguiente:

1)(A) =Detalle 1 de la figura A, en la misma página que el texto;

1)(A)p.3 =Detalle 1 de la figura A, página Nº 3.

CARACTERÍSTICAS TÉCNICAS

MODELO			RS 70		RS 100		RS 130	
TIPO			821 T1		822 T1		823 T1	
POTÊNCIA (1)	2.ª llama	kW	465 - 814		698 - 1163		930 - 1512	
		Mcal/h	400 - 700		600 - 1000		800 - 1300	
	min. 1ª llama	kW	192		232		372	
		Mcal/h	165		200		320	
COMBUSTIBLE			GAS NATURAL: G20 - G21 - G22 - G23 - G25					
			G20	G25	G20	G25	G20	G25
- Poder Calorífico Inferior		kWh/Nm ³	10	8,6	10	8,6	10	8,6
		Mcal/Nm ³	8,6	7,4	8,6	7,4	8,6	7,4
- Densidad absoluta		kg/Nm ³	0,71	0,78	0,71	0,78	0,71	0,78
- Caudal máximo		Nm ³ /h	81	94	116	135	151	175
- Presión al máximo caudal (2)		mbar	10,3	15,2	9,3	13,7	8,6	12,7
FUNCIONAMIENTO			<ul style="list-style-type: none"> Intermitente (mín. 1 paro en 24 horas). 2 llamas (2.ª y 1.ª) o 1 llama (todo - nada) 					
UTILIZACIÓN			Calderas: de agua, a vapor y aceite térmico					
TEMPERATURA AMBIENTE		°C	0 - 40					
TEMPERATURA AIRE COMBURENTE		°C max	60					
CONFORMIDAD DIRECTIVAS CEE			90/396 - 2004/108 - 2006/95 - 2006/42					
NIVEL SONORO (3)		dBa	75		77		78,5	
HOMOLOGACIÓN			0085AP0944		0085AP0945		0085AP0946	

(1) Condiciones de referencia: Temperatura ambiente 20°C - Presión barométrica 1000 mbar - Altitud sobre el nivel del mar 100 metros.

(2) Presión en la toma 16)(A)p.3, con presión cero en la cámara de combustión, con el disco del gas 2)(B)p.7 abierto y a la potencia máxima del quemador.

(3) Presión acústica medida en el laboratorio de combustión del constructor, con quemador funcionando en caldera de prueba a la máxima potencia.

DATOS ELÉCTRICOS

Motor IE1

MODELO		RS 70		RS 100		RS 130		
ALIMENTACIÓN ELÉCTRICA	V Hz	230 - 400 com neutro ~ +/-10% 50 - trifásica						
MOTOR ELÉCTRICO	rpm	2800		2830		2860		
	W	1100		1500		2200		
	V	230 / 400		230 / 400		230 / 400		
	A	4,7 - 2,7		6,4 - 3,7		8,5 - 4,9		
TRANSFORMADOR DE ENCENDIDO	V1 - V2 I1 - I2	230 V - 1 x 8 kV 1 A - 20 mA						
POTENCIA ELÉCTRICA ABSORBIDA	W max	1400		1800		2600		
GRADO DE PROTECCIÓN			IP 44					

Motor IE2

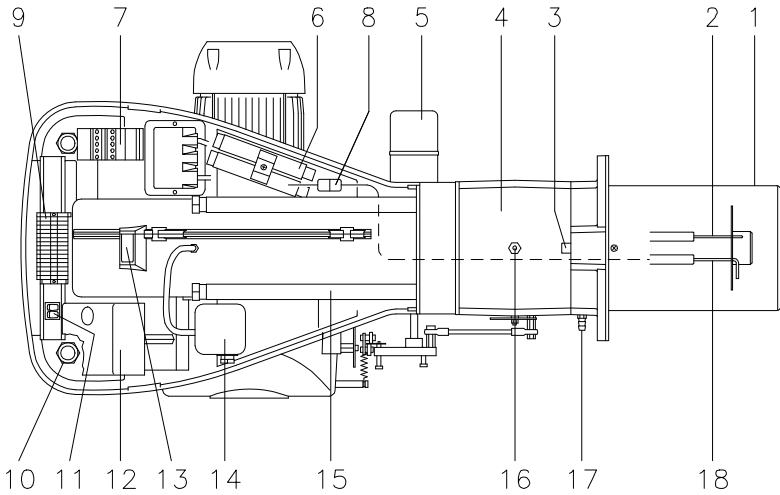
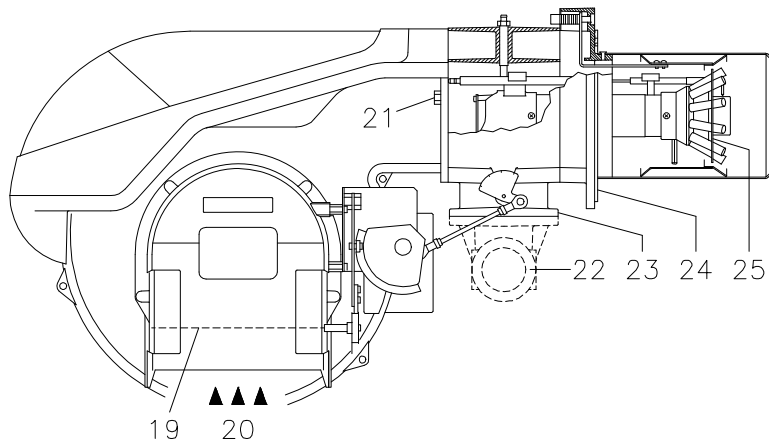
MODELO		RS 70		RS 100		RS 130		
ALIMENTACIÓN ELÉCTRICA	V Hz	230 - 400 com neutro ~ +/-10% 50 - trifásica						
MOTOR ELÉCTRICO	rpm	2860		2860		2860		
	W	1100		1500		2200		
	V	230 / 400		230 / 400		230 / 400		
	A	4,1 - 2,4		5,5 - 3,4		7,9 - 4,6		
TRANSFORMADOR DE ENCENDIDO	V1 - V2 I1 - I2	230 V - 1 x 8 kV 1 A - 20 mA						
POTENCIA ELÉCTRICA ABSORBIDA	W max	1400		1800		2600		
GRADO DE PROTECCIÓN			IP 44					

VERSIONES CONSTRUCTIVAS

Modelo	Alimentación eléctrica	Longitud tubo llama mm
RS 70	trifásico	250
	trifásico	385
RS 100	trifásico	250
	trifásico	385
RS 130	trifásico	280
	trifásico	415

CATEGORÍA GAS

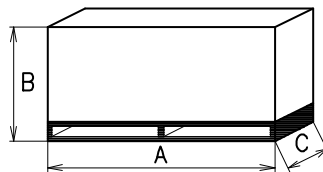
PAÍS	CATEGORÍA
IT - AT - GR - DK - FI - SE	II ₂ H3B / P
ES - GB - IE - PT	II ₂ H3P
NL	II ₂ L3B / P
FR	II ₂ Er3P
DE	II ₂ ELL3B / P
BE	I ₂ E(R)B, I ₃ P
LU - PL	II ₂ E 3B/P



(A)

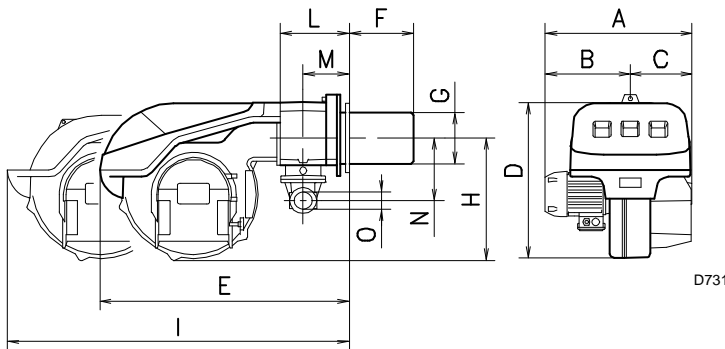
D3030

mm	A	B	C	kg
RS 70	1300	740	682	70
RS 100	1300	740	682	73
RS 130	1300	740	682	76



(B)

D36



D731

mm	A	B	C	D	E	F ₍₁₎	G	H	I ₍₁₎	L	M	N	O
RS 70	511	296	215	555	840	250 - 385	179	430	1161-1296	214	134	221	2"
RS 100	527	312	215	555	840	250 - 385	179	430	1161-1296	214	134	221	2"
RS 130	553	338	215	555	840	280 - 415	189	430	1161-1296	214	134	221	2"

(1) Tubo llama: Normal - Alargado

(C)

DESCRIPCIÓN DEL QUEMADOR (A)

- 1 Cabezal de combustión
- 2 Electrodo de encendido
- 3 Tornillo regulación cabezal de combustión
- 4 Manguito unión grupo ventilador-cabezal de combustión
- 5 Servomotor, para el control de la válvula de mariposa del gas y, mediante una leva de perfil variable, el registro del aire. Cuando el quemador está parado, el registro del aire está completamente cerrado para reducir al mínimo la dispersión térmica de la caldera debido al tipo del conducto de humos que toma aire de la boca de aspiración del ventilador.
- 6 Prolongadores guías
- 7 Contactor motor y relé térmico con botón de rearme
- 8 Conector cable sonda de ionización
- 9 Regleta conexiones quemador
- 10 Pasacables para el conexionado eléctrico, a efectuar por el instalador
- 11 Dos interruptores:
 - uno de "marcha-paro"
 - uno para "1.ª llama - 2.ª llama"
- 12 Caja de control con piloto luminoso de bloqueo y pulsador de desbloqueo
- 13 Visor llama
- 14 Presostato de aire (tipo diferencial)
- 15 Guías para abertura del quemador e inspección del cabezal de combustión
- 16 Toma de presión de gas y tornillo fijación cabezal
- 17 Toma de presión de aire
- 18 Sonda de ionización
- 19 Registro de aire
- 20 Entrada aire del ventilador
- 21 Tornillo fijación del ventilador al soporte quemador
- 22 Conducto entrada gas
- 23 Válvula mariposa gas
- 24 Brida para fijación a la caldera
- 25 Disco estabilizador de llama

Hay dos posibilidades de bloqueo del quemador:

- **BLOQUEO CAJA DE CONTROL:**
La iluminación del pulsador (**led rojo**) de la caja 12)(A) indica que el quemador está bloqueado. Para desbloquear, oprimir el pulsador durante un tiempo comprendido entre 1 y 3 segundos.
- **BLOQUEO MOTOR:**
Para desbloquear, oprimir el pulsador del relé térmico 7)(A).

EMBALAJE - PESO (B) - medidas aproximadas

- El embalaje del quemador se apoya en un soporte de madera adaptado para una carretilla elevadora. Las dimensiones exteriores del embalaje se indican en la tabla (B).
- El peso del quemador completo con embalaje se indica en la tabla (B).

DIMENSIONES MÁXIMAS (C) - medidas aproximadas

Las dimensiones máximas del quemador se indican en (C). Tener en cuenta que para inspeccionar el cabezal de combustión, el quemador debe abrirse desplazando la parte posterior por las guías. La longitud máxima del quemador abierto, sin envolvente, está indicada por la cota I.

FORMA DE SUMINISTRO

- 1 - Brida conexión rampa de gas
- 1 - Junta brida
- 4 - Tornillos M10 x 35 fijación brida
- 1 - Junta aislante
- 2 - Prolongadores 6)(A) para guías 15)(A) (modelos con tubo llama 385 - 415 mm)
- 4 - Tornillos M12 x 35 para fijar la brida del quemador a la caldera
- 1 - Instrucciones
- 1 - Lista de recambios

GRÁFICOS CAUDAL, POTENCIA-SOBRE-PRESIÓN (A)

Los quemadores RS 70 - 100 - 130 pueden funcionar en dos modos: Monollama y Billama.

La **POTENCIA MÁXIMA** se sitúa en la zona A. Para utilizar también la zona B (RS 130) hay que preajustar el cabezal de combustión explicado en la pág. 6.

La **POTENCIA MÍNIMA** no debe ser inferior al límite mínimo del gráfico:

- RS 70 = 192 kW
- RS 100 = 232 kW
- RS 130 = 372 kW

Atención

El CAMPO DE TRABAJO se ha calculado considerando una temperatura ambiente de 20°C, una presión barométrica de 1000 mbar (aprox. 100 metros sobre el nivel del mar) y con el cabezal de combustión regulado como se indica en la página 7.

CALDERA DE PRUEBA (B)

Los gráficos se han obtenido con calderas de prueba especiales, según la norma EN 676.

En la figura (B) se indica el diámetro y longitud de la cámara de combustión de la caldera de prueba.

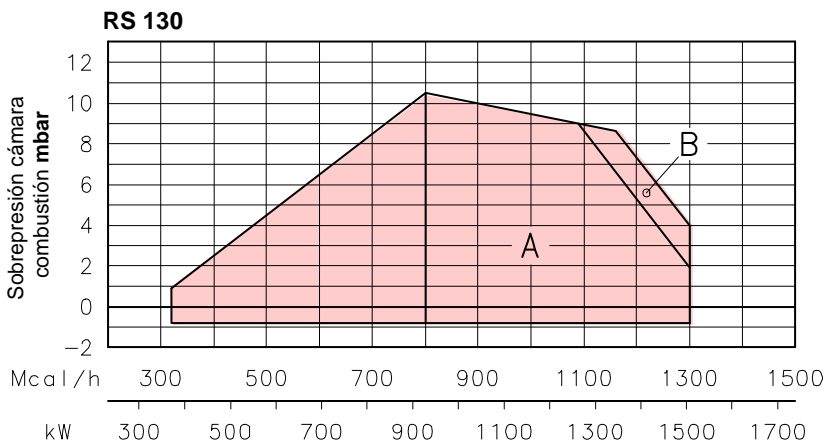
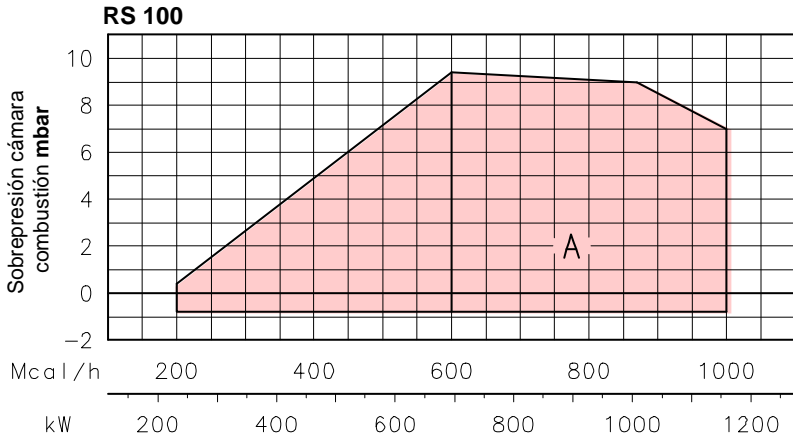
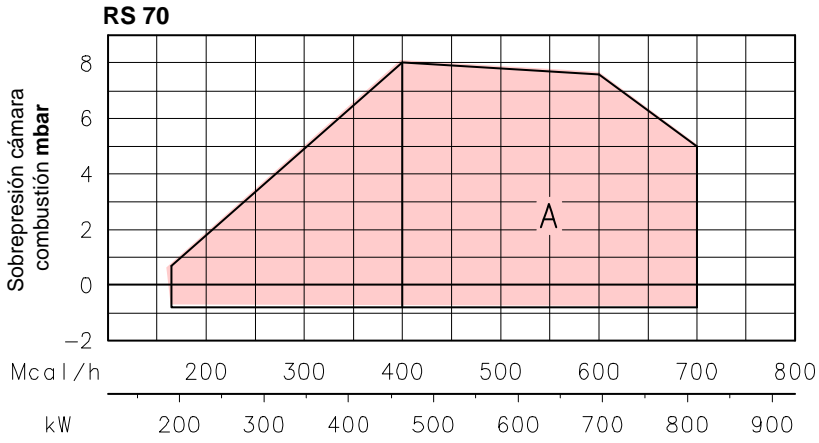
Ejemplo:

Potencia 756 kW:
diámetro 60 cm - longitud 2 m.

CALDERAS COMERCIALES

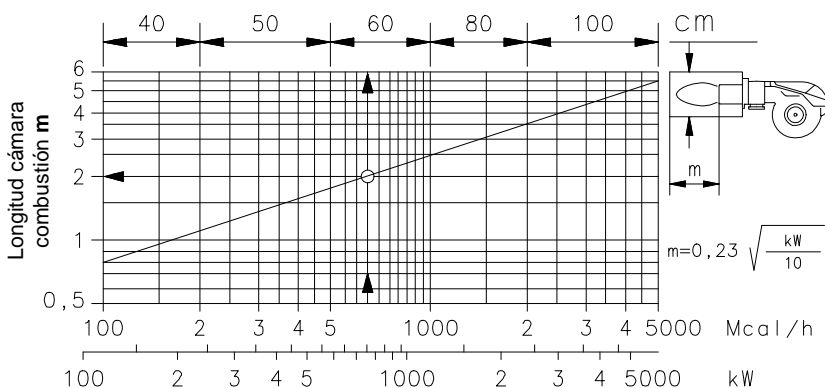
En el acoplamiento quemador-caldera no hay ningún problema si la caldera tiene la homologación CE y si las dimensiones de la cámara de combustión se aproximan a las indicadas en el gráfico (B).

Si por el contrario el quemador debe instalarse en una caldera comercial no homologada CE o con dimensiones de cámara de combustión mucho más pequeñas que las indicadas en el gráfico (B), se debe consultar al fabricante.



(A)

D950



(B)

D715

RS 70

Δp (mbar)

kW	1	2	3					
			\varnothing 1" 1/2 3970145	\varnothing 1" 1/2 3970180	\varnothing 2" 3970146 3970160	\varnothing 2" 3970181 3970182	DN 65 3970147 3970161	DN80 3970148 3970162
			465	4,2	0,2	11,6	8,5	4,8
515	4,8	0,2	13,9	10,0	5,8	6,2	-	-
565	5,6	0,3	16,3	12,0	6,8	7,2	-	-
615	6,4	0,3	18,9	13,5	8,0	8,2	-	-
665	7,3	0,3	21,7	15,0	9,2	9,5	-	-
715	8,3	0,4	24,6	17,2	10,5	10,8	-	-
765	9,3	0,4	27,7	18,5	11,3	11,5	4,4	-
814	10,3	0,4	30,9	20,0	13,2	13,0	5,0	-

RS 100

Δp (mbar)

kW	1	2	3					
			\varnothing 1" 1/2 3970145	\varnothing 1" 1/2 3970180	\varnothing 2" 3970146 3970160	\varnothing 2" 3970181 3970182	DN 65 3970147 3970161	DN80 3970148 3970162
			695	3,7	0,4	23,5	17,0	9,9
760	4,2	0,4	27,4	18,5	11,7	11,5	4,4	-
825	5,0	0,5	31,6	20,5	13,6	13,2	5,1	-
890	5,8	0,5	36,1	23,0	15,6	14,0	5,8	-
955	6,5	0,6	40,9	26,0	17,7	16,0	6,6	-
1020	7,3	0,7	45,9	29,0	19,9	18,0	7,5	-
1085	8,3	0,8	51,1	33,0	22,3	20,0	8,4	4,5
1163	9,3	0,8	57,7	38,0	25,3	22,0	9,5	5,0

RS 130

Δp (mbar)

kW	1	2	3					
			\varnothing 1" 1/2 3970145	\varnothing 1" 1/2 3970180	\varnothing 2" 3970146 3970160	\varnothing 2" 3970181 3970182	DN 65 3970147 3970161	DN80 3970148 3970162
			930	3,8	1,0	39,0	22,0	16,9
1010	4,5	1,1	44,9	28,0	19,6	17,0	7,4	-
1090	5,1	1,3	51,5	33,0	22,5	20,0	8,5	4,5
1170	5,8	1,5	58,3	37,0	25,6	22,0	9,6	5,1
1250	6,5	1,7	65,4	40,0	28,8	25,0	10,8	5,7
1330	7,2	1,8	72,9	43,0	32,2	28,0	12,2	6,4
1410	7,9	1,9	80,7	48,0	35,8	31,0	13,6	7,1
1512	8,6	2,0	91,2	53,0	40,6	34,0	15,3	8,0

(A)

PRESIÓN DEL GAS

Las tablas que hay al margen indican las pérdidas de carga mínimas de la línea de alimentación de gas en función de la potencia del quemador en 2.ª llama.

Columna 1

Pérdida de carga cabezal de combustión.

Presión de gas en la toma 1)(B), con:

- Cámara de combustión a 0 mbar
- Quemador funcionando en 2.ª llama
- Disco del gas 2)(B)p.7 regulado como se indica en el gráfico (C)p.7.

Columna 2

Pérdida de carga registro mariposa gas 2)(B) con abertura máxima: 90°.

Columna 3

Pérdida de carga rampa de gas 3)(B) comprende: válvula de regulación VR, válvula de seguridad VS (ambas con la máxima abertura), regulador de presión R, filtro F.

Los valores indicados en las tablas se refieren a:

gas natural G 20 PCI 10 kWh/Nm³ (8,6 Mcal/Nm³)

Con:

gas natural G 25 PCI 8,6 kWh/Nm³ (7,4 Mcal/Nm³)

multiplicar los valores de las tablas por 1,3.

Para conocer la potencia aproximada a la que está funcionando el quemador en 2.ª llama:

- Restar a la presión del gas en la toma 1)(B) la sobrepresión de la cámara de combustión.
- Hallar en la tabla relativa al quemador que se considere, columna 1, el valor de presión más cercano al resultado obtenido en la resta.
- Leer a la izquierda la potencia correspondiente.

Ejemplo - RS 100:

- Funcionamiento en 2.ª llama
 - Gas natural G 20 PCI 10 kWh/Nm³
 - Disco del gas 2)(B)p.7 regulado como se indica en el gráfico (C)p.7
 - Presión de gas en la toma 1)(B) = 8 mbar
 - Presión en la cámara de combustión = 3 mbar
- 8 - 3 = 5 mbar

A la presión de 5 bar, columna 1, corresponde en la tabla del RS 100 una potencia en 2.ª llama de 825 kW.

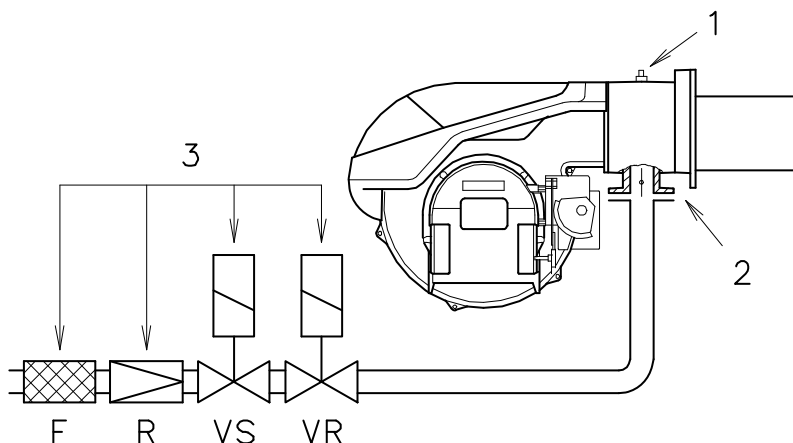
Este valor sirve como primera aproximación; el real se determinará a través del contador.

En cambio, para conocer la presión de gas necesaria en la toma 1)(B), una vez fijada la potencia en 2.ª llama a la que se desea que funcione el quemador:

- Hallar la potencia más cercana al valor deseado, en la tabla relativa al quemador que se considere.
- Leer a la derecha, columna 1, la presión en la toma 1)(B).
- Sumar a este valor la sobrepresión estimada de la cámara de combustión.

Ejemplo - RS 100:

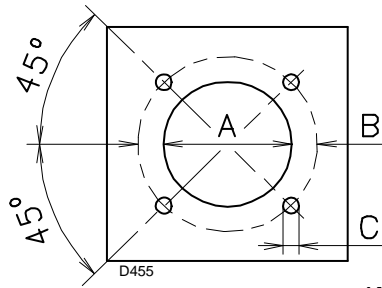
- Potencia deseada en 2.ª llama: 825 kW
 - Gas natural G 20 PCI 10 kWh/Nm³
 - Disco del gas 2)(B)p.7 regulado como se indica en el gráfico (C)p.7
 - Presión del gas a la potencia de 825 kW, en la tabla del RS 100, columna 1 = 5 mbar
 - Presión en la cámara de combustión = 3 mbar
- 5 + 3 = 8 mbar
presión necesaria en la toma 1)(B).



(B)

INSTALACIÓN

mm	A	B	C
RS 70	185	275 - 325	M 12
RS 100	185	275 - 325	M 12
RS 130	195	275 - 325	M 12



(A)

PLACA DE CALDERA (A)

Taladrar la placa de cierre de la cámara de combustión tal como se indica en (A). Puede marcarse la posición de los orificios roscados utilizando la junta aislante que se suministra con el quemador.

LONGITUD TUBO LLAMA (B)

La longitud del tubo de llama debe seleccionarse de acuerdo con las indicaciones del fabricante de la caldera y, en cualquier caso, debe ser mayor que el espesor de la puerta de la caldera completa, con el material refractario incluido. Las longitudes, L (mm), disponibles son:

Tubo llama 12):	RS 70	RS 100	RS 130
• corto	250	250	280
• largo	385	385	415

Para calderas con pasos de humos delanteros 15) o con cámara de inversión de llama, colocar una protección de material refractario 13) entre el refractario de la caldera 14) y el tubo de llama 12). Esta protección debe permitir el desplazamiento del tubo de llama.

En calderas con frontal refrigerado por agua, no es necesario el revestimiento refractario 13)-14)(B), salvo que lo indique el fabricante de la caldera.

FIJACIÓN DEL QUEMADOR A LA CALDERA (B)

Antes de fijar el quemador a la caldera, verificar (a través de la abertura del tubo de llama) si la sonda y el electrodo de encendido están correctamente posicionados como se muestra en la figura (C).

Luego separar el cabezal de combustión del resto del quemador, fig. (B):

- Desenroscar los 4 tornillos 3) y extraer la envoltura 1);
- Desenganchar la articulación 7) del sector graduado 8);
- Desenroscar los tornillos 2) de las dos guías 5);
- Desenroscar los 2 tornillos 4) y desplazar el quemador por las guías 5) unos 100 mm;
- Desconectar los cables de la sonda y del electrodo y a continuación extraer por completo el quemador de las guías.

PREAJUSTE DEL CABEZAL DE COMBUSTIÓN

Ahora, para el modelo RS 130 controlar que el caudal máximo del quemador en 2ª llama esté comprendido dentro de la zona A o dentro de la B del campo de trabajo. Véase pág. 4.

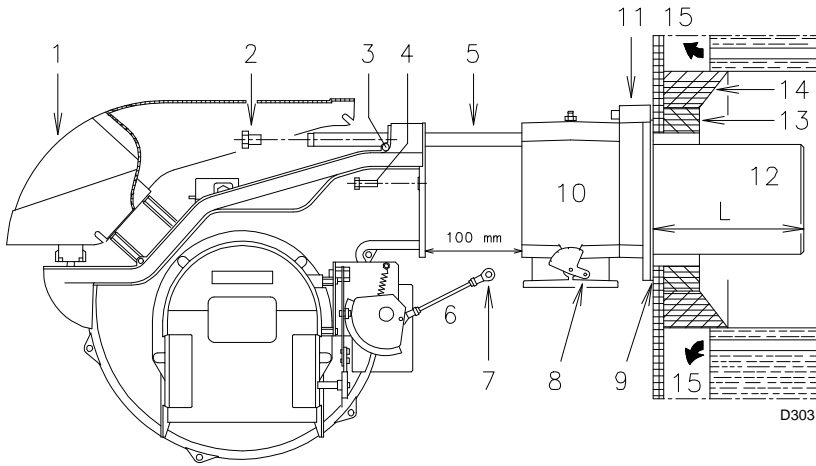
Si está en la zona A, no hay que hacer ningún ajuste.

Por el contrario, en la zona B:

- Desenroscar los tornillos 1)(D) y desmontar el tubo llama 2).
- Desplazar la fijación de la varilla 3)(D) desde la posición A a la B, así retrocediendo el obturador 4).
- Volver a montar el tubo llama 2)(D) y los tornillos 1).

Una vez concluida la operación, fijar la brida 11)(B) a la placa de la caldera, intercalando la junta 9)(B) que se suministra. Utilizar los 4 tornillos que se suministran, después de haber protegido la rosca con algún producto antibloqueo. El acoplamiento del quemador con la caldera debe ser hermético.

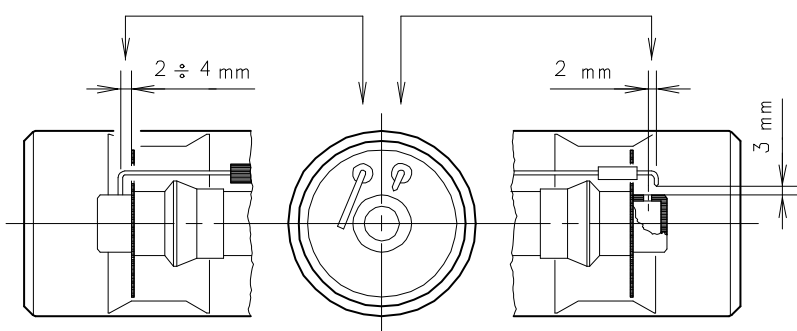
Si en la verificación anterior, la posición de la sonda o del electrodo no era correcta, desenroscar el tornillo 1)(E), extraer la parte interior 2)(E) del cabezal y proceder a su calibración. No hacer girar la sonda, sino dejarla como se indica en (C), ya que si se sitúa demasiado cerca del electrodo de encendido podría dañar el amplificador de la caja de control.



(B)

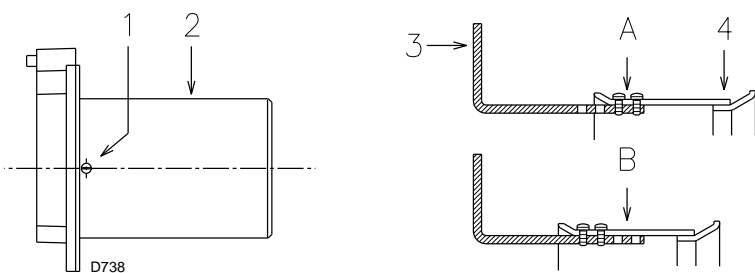
SONDA

ELECTRODO



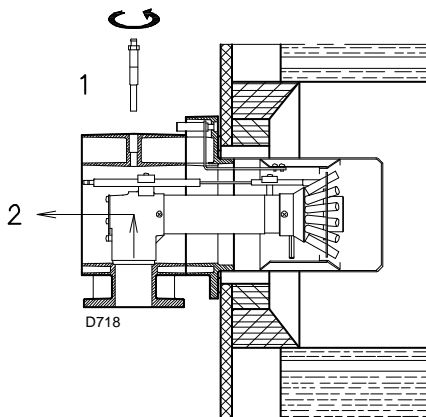
D613

(C)



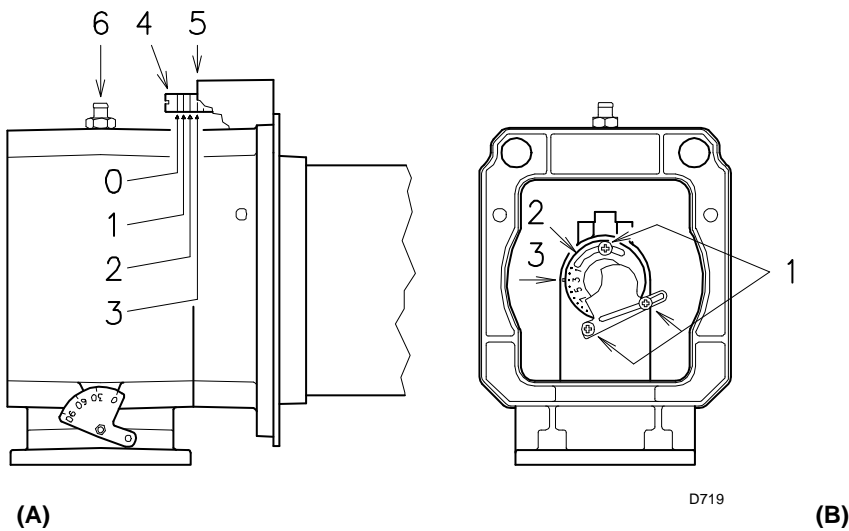
D738

(D)



D718

(E)



REGULACIÓN DEL CABEZAL DE COMBUSTIÓN

En este punto de la instalación, el tubo de llama y el soporte quemador se fijan a la caldera como se indica en la Fig. (A). Así pues, resulta particularmente fácil efectuar el reglaje del cabezal de combustión; esta regulación depende únicamente de la potencia que desarrollará el quemador en 2.^a llama.

Por tanto, antes de efectuar esta regulación se debe conocer este valor.

En el cabezal se deben efectuar dos regulaciones, la del aire y la del gas.

Hallar en el gráfico (C) la posición a la cual regular el aire y el gas, del modo siguiente:

Regulación aire (A)

Girar el tornillo 4)(A) hasta que coincida el número de posición hallada con el plano anterior 5)(A) de la brida.

Regulación gas (B)

Aflojar los tres tornillos 1)(B) y girar el disco 2) hasta que coincida el número de posición hallada con el índice 3). Apretar bien los tres tornillos 1).

Ejemplo:

Quemador RS 70,
potencia quemador = 581 kW (500 Mcal/h)
En el gráfico (C), para esta potencia el número de posición de regulación del aire y del gas es la 3, tal como está en los dibujos Fig.(A) y Fig. (B).

NOTA

El gráfico (C) indica la regulación óptima del cabezal. Si la presión de la red de alimentación de gas es muy baja y no permite que se alcance la presión que se indica en la pág. 5 en 2.^a llama, y si el disco 2)(B) está sólo parcialmente abierto, aún es posible abrir el disco 1 ó 2 posiciones.

Siguiendo el ejemplo anterior, en la pág. 5 se ve que para un quemador RS 70 con una potencia de 581 kW (500 Mcal/h), se necesita una presión aproximada de 6 mbar en la toma 6)(A). Si no se dispone de dicha presión, abrir el disco 2)(B) hasta la posición 4-5.

Verificar que la combustión sea satisfactoria y sin pulsaciones.

Finalizada la regulación del cabezal, volver a montar el quemador en las guías 3)(D) a unos 100 mm del soporte quemador 4)(D) (quemador en la posición que muestra la Fig. (B) p.6); conectar los cables de la sonda y del electrodo y a continuación desplazar el quemador hasta el soporte (quemador en la posición que muestra la Fig. (D)).

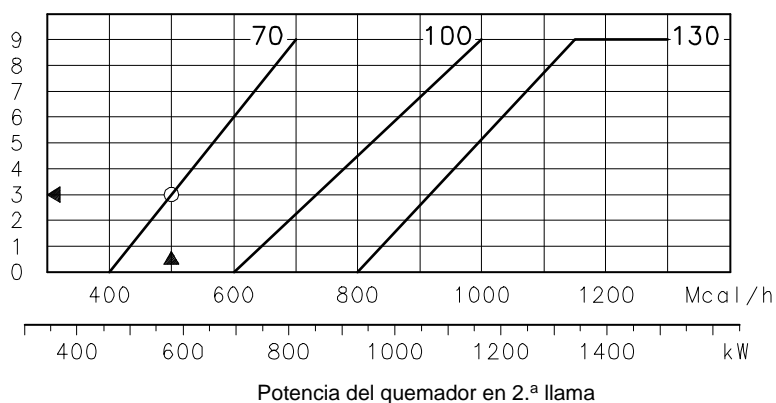
Volver a colocar los tornillos 2) en las guías 3). Fijar el quemador al soporte mediante los tornillos 1).

Montar la articulación 7) en el sector graduado 6).

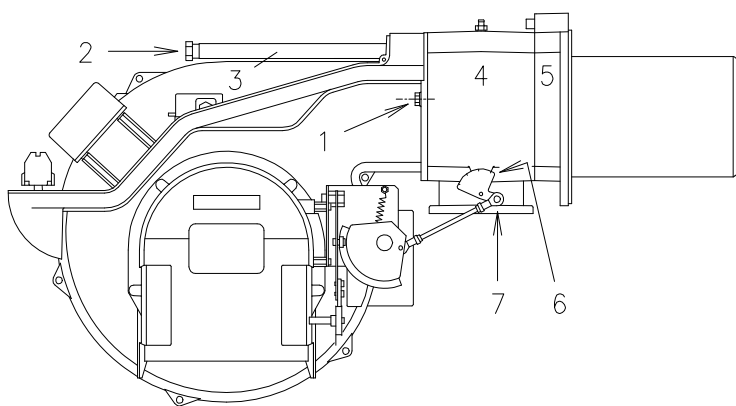
Atención

En el momento de cerrar el quemador en las guías, es conveniente tirar suavemente hacia afuera del cable de alta tensión y del de la sonda de ionización hasta que estén ligeramente tensados.

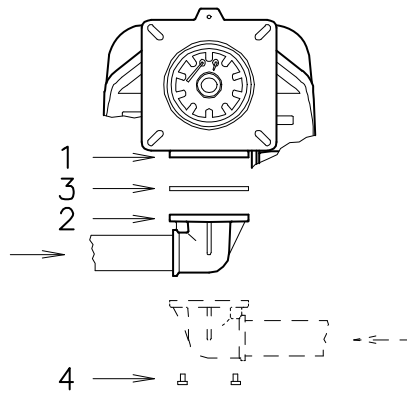
↓ N° de posición (aire=gas)



(C) D720



(D) D3032



(A)

D722

LÍNEA ALIMENTACIÓN DE GAS

- La rampa de gas va acoplada a la conexión de gas 1)(A), mediante la brida 2), la junta 3) y los tornillos 4, que se suministran con el quemador.
- La rampa puede llegar por la derecha o por la izquierda, según convenga. Ver Fig. (A).
- Las electroválvulas 8)-9)(B) del gas deben estar lo más cerca posible del quemador, para asegurar la llegada del gas al cabezal de combustión en el tiempo de seguridad de 3 segundos.
- Asegurarse de que el campo de tarado del regulador de presión (color del muelle) abarque la presión de gas que necesita el quemador.

RAMPA DE GAS (B)

Está homologada según la norma EN 676 y se suministra por separado, con el número de referencia que se indica en la tabla (C).

LEYENDA (B)

- 1 - Conducto llegada gas
- 2 - Válvula manual
- 3 - Junta antivibratoria
- 4 - Manómetro con válvula de pulsador
- 5 - Filtro
- 6 - Regulador de presión (vertical)
- 7 - Presostato gas de mínima
- 8 - Electroválvula seguridad VS (vertical)
- 9 - Electroválvula regulación VR (vertical)
Tiene dos regulaciones:
 - caudal de encendido (apertura rápida)
 - caudal máximo (apertura lenta)
- 10 - Junta y brida, suministradas con el quemador

11 - Registro mariposa de gas

12 - Quemador

13 - Dispositivo para el control de estanqueidad de las electroválvulas 8)-9). Según la norma EN 676, el control de estanqueidad es obligatorio para quemadores con potencia máxima superior a 1200 kW.

14 - Adaptador rampa de gas-quemador

P1 - Presión en el cabezal de combustión

P2 - Presión a la salida del regulador

P3 - Presión antes del filtro

L - Rampa de gas suministrada por separado, con el N° de Ref. que se indica en la tabla (C).

L1 - A cargo del instalador

LEYENDA TABLA (C)

C.T.= Dispositivo de control de estanqueidad válvulas gas 8) - 9):

- = Rampa sin dispositivo de control de estanqueidad; dispositivo que se puede pedir por separado, véase columna 13, y ser montado sucesivamente.
- ◆ = Rampa con dispositivo de control de estanqueidad VPS montado.

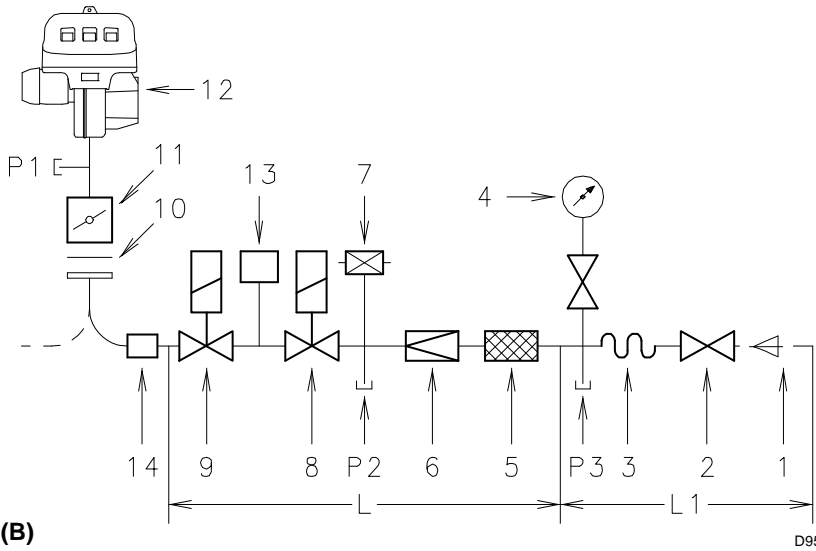
13 = Dispositivo de control de estanqueidad válvula VPS.
Se suministra aparte de la rampa de gas, sobre demanda.

14 = Adaptador rampa-quemador.

Se suministra aparte de la rampa de gas, sobre demanda.

Nota

Para la regulación de la rampa de gas, ver las instrucciones que acompañan a la misma.



(B)

D953

QUEMADORES Y RAMPAS DE GAS HOMOLOGADAS SEGÚN NORMA EN 676

Rampa de gas L			Quemador			13	14
Ø	C.T.	Nº de Ref	RS 70	RS 100	RS 130	Nº de Ref	Nº de Ref
1"1/2	-	3970145	•	•	•	3010123	3000843
1"1/2	-	3970180	•	•	•	3010123	3000843
2"	-	3970146	•	•	•	3010123	-
2"	◆	3970160	•	•	•	-	-
2"	-	3970181	•	•	•	3010123	-
2"	◆	3970182	•	•	•	-	-
DN 65	-	3970147	•	•	•	3010123	3000825
DN 65	◆	3970161	•	•	•	-	3000825
DN 80	-	3970148	-	-	•	3010123	3000826
DN 80	◆	3970162	-	-	•	-	3000826

(C)

COMPONENTES RAMPA DE GAS L

Nº de Ref	Componentes		
	Filtro 5	Regulador de presión 6	Válvulas 8 - 9
3970145	GF 515/1	FRS 515	DMV-DLE 512/11
3970180	Multiblock MB DLE 415		
3970146 3970160	GF 520/1	FRS 520	DMV-DLE 520/11
3970181 3970182	Multiblock MB DLE 420		
3970147 3970161	GF 40065/3	FRS 5065	DMV-DLE 5065/11
3970148 3970162	GF 40080/3	FRS 5080	DMV-DLE 5080/11

ESQUEMA (C)

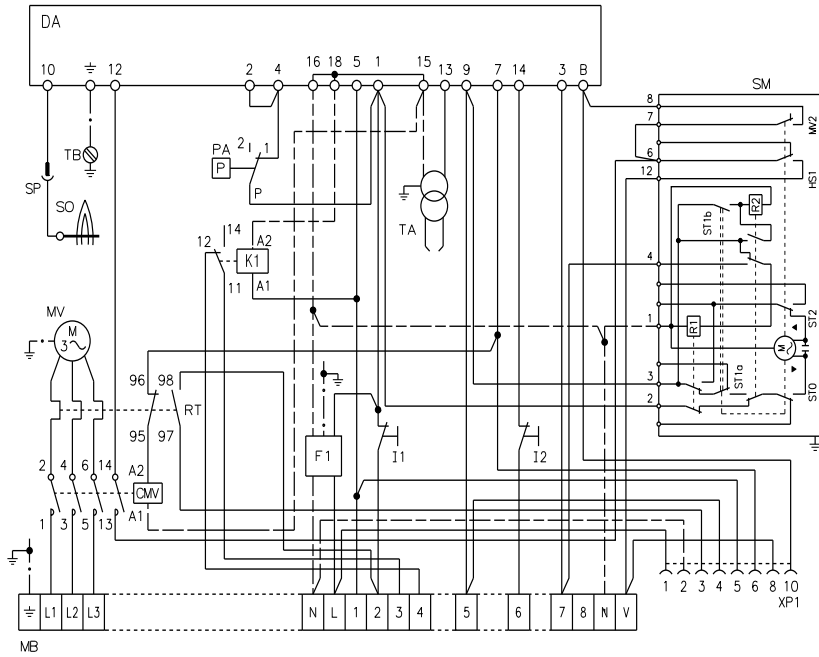
Quemador RS 70 - RS 100 - RS 130

- Los modelos RS 70 - RS 100 - RS 130, salen de fábrica previstos para una alimentación eléctrica a **400 V**.
- Si la alimentación es a **230 V**, cambiar el conexionado del motor (de estrella a triángulo) y la regulación del relé térmico.

Legenda schema (A)

LEYENDA ESQUEMAS (A)

- CMV - Contactor motor
- DA - Caja de control (Landis RMG)
- F1 - Filtro contra radiointerferencias
- K1 - Relé
- I1 - Interruptor: marcha - paro
- I2 - Interruptor: 1.ª - 2.ª llama
- MB - Regleta quemador
- MV - Motor ventilador
- PA - Presostato aire
- RT - Relé térmico
- SM - Servomotor
- SO - Sonda de ionización
- SP - Conector
- TA - Transformador de encendido
- TB - Conexión a tierra quemador
- XP1 - Connettore

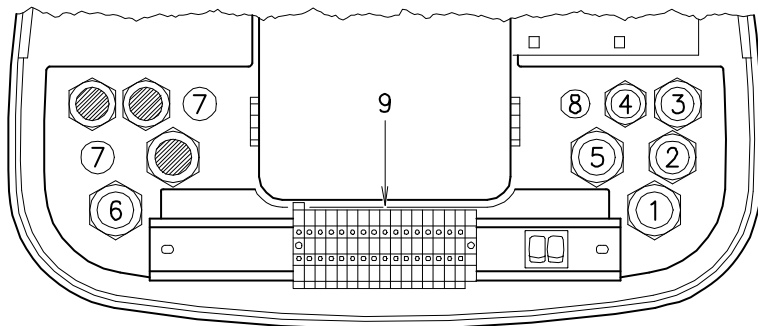


(A)

D3055

ATENCIÓN

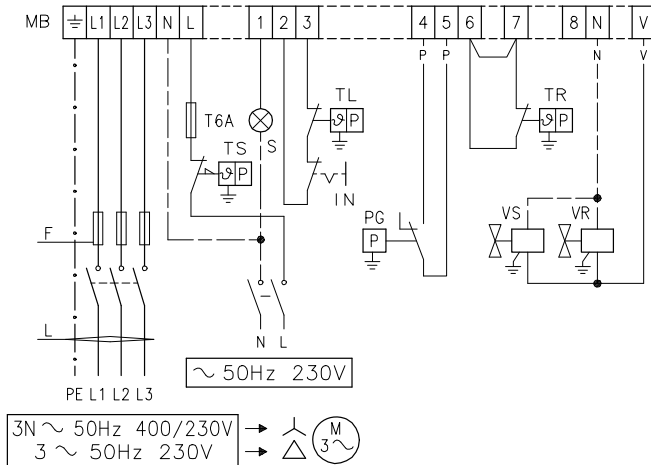
En caso de alimentación fase-fase es necesario efectuar un puente en la regleta de conexiones de la caja de control entre el borne 6 y el borne de tierra.



(A)

D955

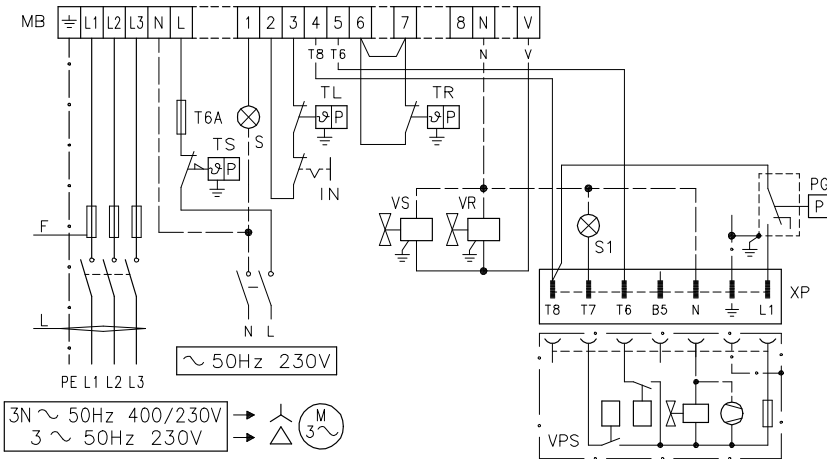
RS 70 - RS 100 - RS 130 sin control de estanqueidad en las válvulas de gas



(B)

D956

RS 70 - RS 100 - RS 130 con control de estanqueidad en válvulas de gas VPS



(C)

D957

CONEXIONADO ELÉCTRICO

Utilizar cables flexibles según norma EN 60 335-1:

- si revestidos de PVC, usar al menos H05 VV-F
- si revestidos de goma, usar al menos H05 RR-F.

Todos los cables que vayan conectados a la regleta 9(A) del quemador deben canalizarse a través de los pasacables.

Los pasacables y los orificios insinuados pueden utilizarse de varias formas; a modo de ejemplo, indicamos la forma siguiente:

- 1- Pg 13,5 Alimentación trifásica
- 2- Pg 11 Alimentación monofásica
- 3- Pg 11 Termostato TL
- 4- Pg 9 Termostato TR
- 5- Pg 13,5 Válvulas de gas
- 6- Pg 13,5 Presostato gas o dispositivo control de estanqueidad válvulas de gas
- 7- Pg 11 Agujerear, si se desea utilizar
- 8- Pg 9 Agujerear, si se desea utilizar

SCHEMA (B)

Conexión eléctrica quemadores RS 70 - RS 100 - RS 130 sin control de estanqueidad en las válvulas de gas

SCHEMA (C)

Conexión eléctrica quemadores RS 70 - RS 100 - RS 130 con control de estanqueidad en válvulas de gas VPS

El control de estanqueidad de las válvulas de gas se efectúa justo antes de cada arranque del quemador.

Fusibles y sección cables esquemas (B - C), ver tabla (D).

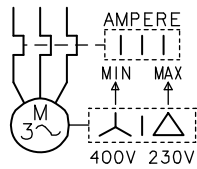
Sección de bable no indicada: 1,5 mm²

LEYENDA ESQUEMAS (B) - (C)

- IN - Interruptor paro manual quemador
- XP - Conector de control de estanqueidad
- MB - Regleta quemador
- PG - Presostato gas de mínima
- S - Señalización de bloqueo a distancia
- S1 - Señaliz. bloqueo control estanqueidad a distancia
- TR - Termostato de regulación: manda la 1ª y 2ª llama de funcionamiento. Si se desea que el quemador tenga un funcionamiento de una sola llama, sustituir TR con un puente.
- TL - Termostato de regulación máxima: provoca el paro del quemador cuando la temperatura o la presión en caldera alcanza el valor preestablecido.
- TS - Termostato de seguridad: actúa en caso de avería del termostato TL.
- VR - Electroválvula de regulación
- VS - Electroválvula de seguridad

	RS 70		RS 100		RS 130		
	230 V	400 V	230 V	400 V	230 V	400 V	
F	A	T10	T6	T16	T10	T16	T10
L	mm ²	1,5	1,5	1,5	1,5	1,5	1,5

(D)



(A)

D867

ESQUEMA (A)**Regulación del relé térmico 7)(A)p. 3**

Sirve para evitar que se quemé el motor por un fuerte aumento del consumo debido a la ausencia de una fase.

- Si el motor es alimentado en estrella, **400 V**, el cursor debe situarse en "MIN".
- Si el motor es alimentado a triángulo, **230 V**, el cursor debe situarse en "MAX".

Si la escala del relé térmico no comprende el consumo nominal del motor a 400 V, la protección está igualmente asegurada.

NOTE

- Los quemadores RS 70 - RS 100 - RS 130 salen de fábrica preparados para una alimentación eléctrica a **400 V**. Si la alimentación es a **230 V**, cambiar el conexionado del motor (de estrella a triángulo) y la regulación del relé térmico.

- Los quemadores RS 70 - RS 100 - RS 130 han sido homologados para funcionar de modo intermitente. Ello significa que deben pararse "por Norma" al menos una vez cada 24 horas para permitir que la caja de control efectúe una verificación de la eficacia al arranque. Normalmente, el paro del quemador está asegurado por el termostato de la caldera.

Si no fuese así, debería colocarse en serie con el interruptor IN, un interruptor horario que parase el quemador al menos una vez cada 24 horas.

- Los quemadores RS 70 - RS 100 - RS 130 salen de fábrica ajustados para el funcionamiento de dos llamas y, por consiguiente, se debe conectar el termostato TR.

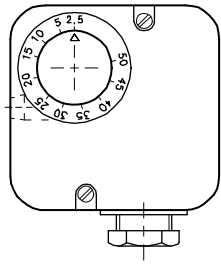
Se si desea que estos quemadores tengan un funcionamiento monostadio (todo-nada), colocar un puente entre los bornes 6 y 7, en sustitución del termostato TR.

ATENCIÓN:

No invertir Neutro con Fase en la línea de alimentación eléctrica.

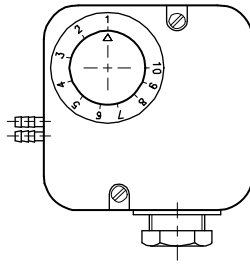
La inversión provocaría una parada en bloqueo por falta de encendido.

PRESOSTATO GAS DE MÍN.



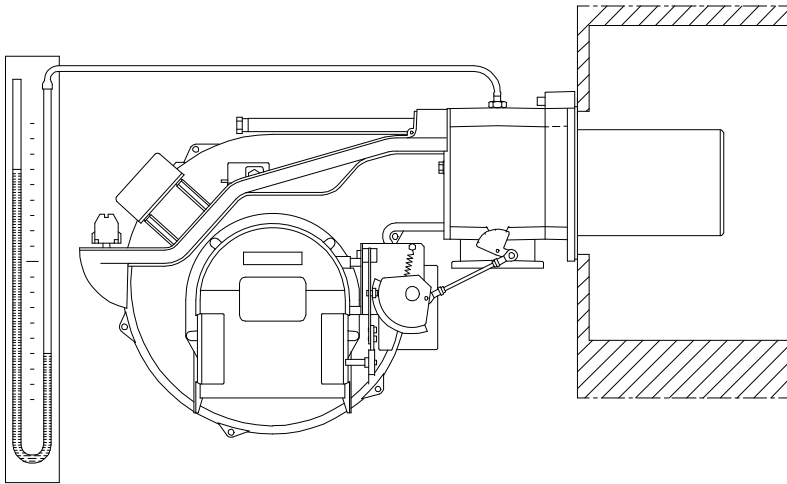
(A)

PRESOSTATO AIRE



(B)

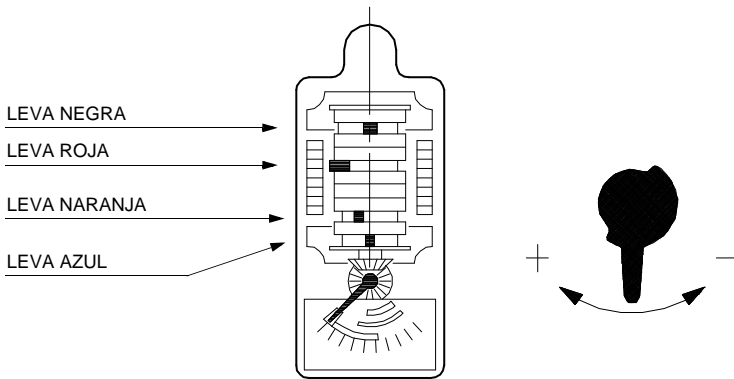
D897



(C)

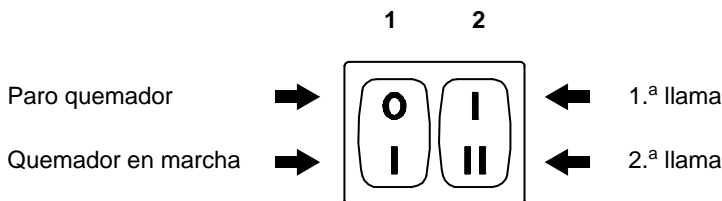
D3033

SERVOMOTOR



(D)

D728



(E)

D469

REGULACIÓN ANTES DEL PRIMER ENCENDIDO

La regulación del cabezal de combustión, aire y gas, ya se ha descrito en la pág. 7.

Efectuar, además, las siguientes regulaciones:

- Abrir las válvulas manuales situadas antes de la rampa de gas.
- Regular el presostato gas de mínima al inicio de la escala (A).
- Regular el presostato aire al inicio de la escala (B).
- Purgar el aire de la línea de gas.

Es aconsejable evacuar el aire purgado al exterior del edificio (mediante un tubo de plástico) hasta notar el olor característico del gas.

- Instalar un manómetro de tubo en "U" (C) en la toma de presión del soporte quemador. Sirve para calcular, aproximadamente, la potencia del quemador en 2.ª llama mediante las tablas de la pág. 5.
- Conectar en paralelo a las dos electroválvulas de gas VR y VS, dos lámparas o un tester para controlar el momento de la llegada de tensión.

Esta operación no es necesaria si cada una de las electroválvulas va equipada de una luz piloto que señale la presencia de tensión eléctrica.

Antes de poner en marcha el quemador, es conveniente regular la rampa de gas de forma que el encendido se produzca en condiciones de máxima seguridad, es decir, con un pequeño caudal de gas.

SERVOMOTOR (D)

El servomotor regula simultáneamente el registro del aire por la leva de perfil variable y la válvula de mariposa del gas.

El ángulo de rotación del servomotor es igual al ángulo del sector graduado de la válvula de mariposa del gas. El servomotor gira 90° en 15 segundos.

No modificar la regulación efectuada en fábrica de las 4 levas con que va dotado; verificar simplemente que las levas estén reguladas del siguiente modo:

Leva roja : 90°

Limita la rotación máxima. Con el quemador funcionando en 2.ª llama, la válvula de mariposa del gas debe estar completamente abierta: 90°.

Leva azul : 0°

Limita la rotación mínima.

Con el quemador parado, el registro de aire y la válvula de mariposa del gas deben estar cerrados: 0°.

Leva naranja : 15°

Regula la posición de encendido y potencia en 1.ª llama.

Leva negra : 85°

Enciende el Led de 2.ª llama.

Una tarjeta graduada con 4 sectores coloreados indica la leva que interviene.

PUESTA EN MARCHA DEL QUEMADOR

Cerrar los termostatos y poner:

- el interruptor 1)(E) en la posición "Quemador en marcha";
- el interruptor 2)(E) en la posición "1ª llama".

Tan pronto se pone en marcha el quemador, controlar el sentido de giro de la turbina del ventilador a través del visor de llama 13)(A)p.3.

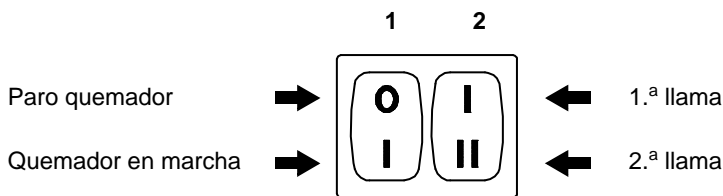
Verificar que las lámparas o el tester conectados a las electroválvulas, o las luces piloto de las propias electroválvulas, indiquen ausencia de tensión. Si señalan que hay tensión, parar **inmediatamente** el quemador y comprobar el conexionado eléctrico.

ENCENDIDO DEL QUEMADOR

Después de haber efectuado las operaciones descritas en el apartado anterior, el quemador debe de encenderse. Si el motor arranca pero no aparece llama y la caja de control se bloquea, rearmarla y efectuar un nuevo intento de puesta en marcha. Si el encendido sigue sin producirse, puede ser debido a que el gas no llega al cabezal de combustión en el tiempo de seguridad de 3 segundos. En tal caso, aumentar el caudal de gas en el encendido.

La llegada de gas al quemador puede observarse en el manómetro de tubo en "U" (C).

Una vez efectuado el encendido, se procederá a la regulación completa del quemador.



(A)

D469

REGULACIÓN DEL QUEMADOR

Para lograr una regulación óptima del quemador, es necesario efectuar un análisis de los gases de combustión en la base de la chimenea.

Hay que regular en secuencia:

- 1 - Potencia de encendido
- 2 - Potencia del quemador en 2.ª llama
- 3 - Potencia del quemador en 1.ª llama
- 4 - Potencia intermedia
- 5 - Presostato aire
- 6 - Presostato gas de mínima

1 - POTENCIA DE ENCENDIDO

Según norma EN 676.

Quemadores con potencia MÁX hasta 120 kW

El encendido puede efectuarse a la potencia máxima de funcionamiento. Ejemplo:

- potencia máxima de funcionamiento : 120 kW
- potencia máxima de encendido : 120 kW

Quemadores con potencia MÁX superior a 120 kW

El encendido debe efectuarse a una potencia reducida respecto a la potencia máxima de funcionamiento.

Si la potencia de encendido no supera los 120 kW, no es necesario hacer ningún cálculo. En cambio, si la potencia supera los 120 kW, la norma establece que su valor sea definido en función del tiempo de seguridad "ts" de la caja de control:

- para "ts" = 2s. La potencia de encendido debe ser igual o inferior a 1/2 de la potencia máxima de funcionamiento;
- para "ts" = 3s. La potencia de encendido debe ser igual o inferior a 1/3 de la potencia máxima de funcionamiento.

Ejemplo

Potencia MÁX de funcionamiento 600 kW.

La potencia de encendido debe ser igual o inferior a:

- 300 kW con ts = 2 s
- 200 kW con ts = 3 s

Para medir la potencia de encendido:

- Desconectar la conector 8)(A)p.3 del cable de la sonda de ionización (el quemador se enciende y se bloquea pasado el tiempo de seguridad).
- Efectuar 10 encendidos con bloqueos consecutivos.
- Leer en el contador la cantidad de gas consumido.

Esta cantidad debe ser igual o inferior a la que nos da la fórmula, para ts = 3 s:

$$\frac{\text{Nm}^3/\text{h}}{\text{(caudal máx. quemador)}}$$

360

Ejemplo con gas natural G 20 (10 kWh/Nm³):

Potencia máxima de funcionamiento: 600 kW

corresponde un consumo de 60 Nm³/h.

Después de 10 encendidos con bloqueo, el caudal de gas medido en el contador debe ser igual o inferior a:

$$60 : 360 = 0,166 \text{ Nm}^3.$$

2 - POTENCIA EN 2.ª LLAMA

La potencia en 2.ª llama se elige dentro del campo de trabajo que se indica en la pág. 4.

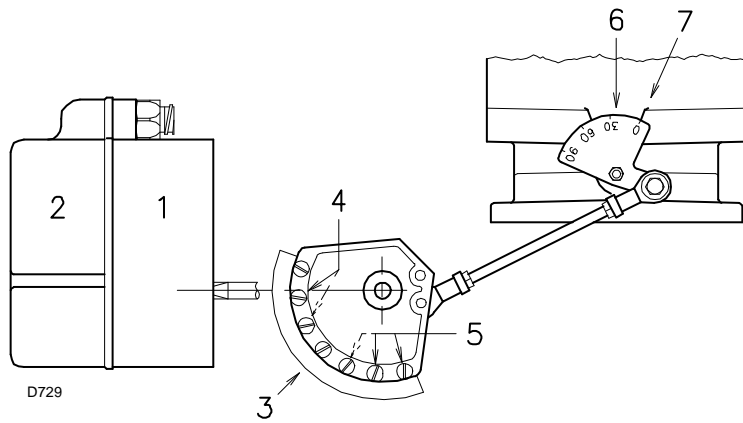
En la descripción anterior, el quemador estaba encendido en 1ª llama. Situar ahora el interruptor 2)(A) en posición "2.ª llama" y: el servomotor abrirá el registro del aire y, al mismo tiempo, la válvula de mariposa del gas a 90°.

Regulación del gas

Medir el caudal de gas en el contador.

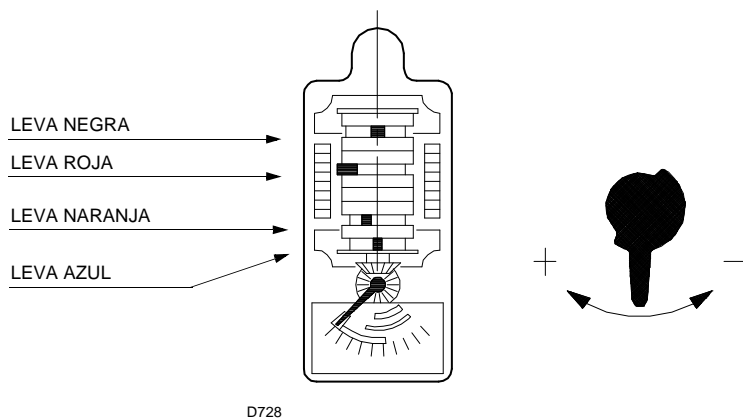
A título orientativo, puede determinarse mediante las tablas de la pág.5, mirando la presión del gas en el manómetro de tubo en "U" (ver Fig. (C)p.12, y siguiendo las indicaciones de la pág.5.

- Si es necesario reducirlo, disminuir la presión del gas a la salida y, si ya está al mínimo, cerrar un poco la electroválvula de regulación VR.
- Si es necesario aumentarla, incrementar la presión de gas a la salida del regulador.



- D729
- 1 Servomotor
 - 2 Tapa levas
 - 3 Leva de perfil variable
 - 4 Tornillos regulación perfil inicial
 - 5 Tornillos regulación perfil final
 - 6 Sector graduado válvula de mariposa gas
 - 7 Índice del sector graduado 6

(A)



D728

(B)

Regulación del aire

Variar progresivamente el perfil final de la leva 3)(A), actuando sobre los tornillos 5).

- Para aumentar el caudal de aire, enroscar los tornillos.
- Para disminuir el caudal de aire, desenroscar los tornillos.

3 - POTENCIA EN 1.ª LLAMA

La potencia en 1.ª llama se elige dentro del campo de trabajo que se indica en la pág. 4.

Pulsar el interruptor 2)(A)p.13 en posición "1.ª llama": el servomotor cerrará el registro del aire, y al mismo tiempo, el de mariposa situándolo a 15°, que es la regulación efectuada en fábrica.

Regulación del gas

Medir el caudal de gas en el contador.

- Si se desea disminuirlo, reducir un poco el ángulo de la leva naranja (B) mediante cortos desplazamientos sucesivos, es decir, pasando del ángulo de 15° a 13° - 11°....
- Si se desea aumentarlo, pasar a 2.ª llama pulsando el interruptor 2)(A)p. 13 en posición "2.ª llama" y aumentar un poco el ángulo de la leva naranja (B) mediante cortos desplazamientos sucesivos, es decir, pasando del ángulo de 15° a 17° - 19°....

Seguidamente retornar a 1.ª llama y medir el caudal de gas.

NOTA

El servomotor sigue la regulación de la leva naranja sólo cuando se reduce el ángulo de la misma. Si se tiene que aumentar el ángulo de la leva, es necesario pasar a 2.ª llama, aumentar el ángulo y retornar a 1.ª llama para verificar el efecto de la regulación.

Regulación del aire

Variar progresivamente el perfil inicial de la leva 3)(A), actuando sobre los tornillos 4). Si es posible, no girar el primer tornillo, dado que es el que se utiliza para cerrar el registro del aire completamente.

4 - POTENCIAS INTERMEDIAS

Regulación del gas

No es necesaria ninguna regulación.

Regulación del aire

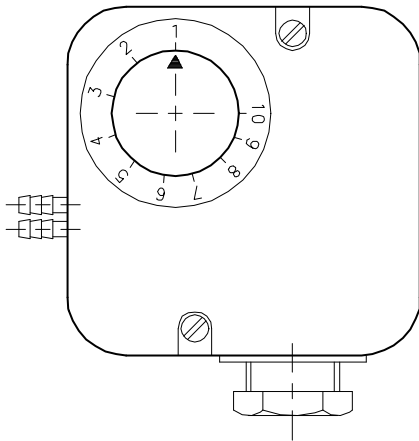
Parar el quemador actuando sobre el interruptor 1)(A)p. 13 y actuar sobre los tornillos intermedios de la guía de manera que la pendiente sea progresiva.

No tocar los tornillos extremos que ya se han utilizado para regular el registro del aire en 1.ª y 2.ª llama.

NOTA

Una vez terminada la regulación de las potencias 2.ª llama - 1.ª llama - intermedias, volver a verificar el encendido: debe producirse un ruido parecido al de funcionamiento sucesivo. Si se observan pulsaciones, reducir el caudal de encendido.

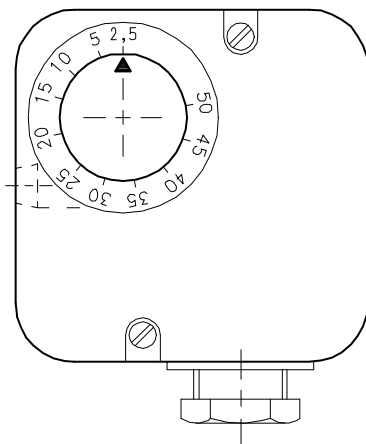
PRESOSTATO DE AIRE 14)(A)p. 3



(A)

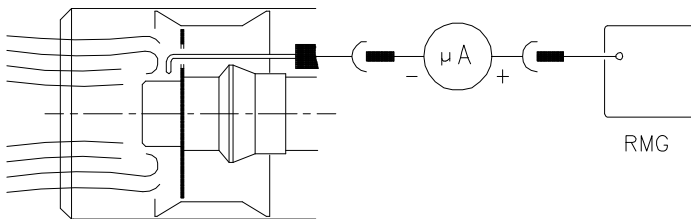
D521

PRESOSTATO GAS DE MÍNIMA 7)(B)p. 8



(B)

D896



(C)

D3023

5 - PRESOSTATO DE AIRE (A)

Efectuar la regulación del presostato de aire, después de haber efectuado todas las demás regulaciones del quemador, con el presostato de aire ajustado al inicio de la escala (A).

Con el quemador funcionando en 1.^a llama, aumentar la presión de regulación girando lentamente (en sentido horario) el botón que se facilita a tal efecto, hasta que se bloquee el quemador.

A continuación girar dicho botón en sentido contrario a las agujas del reloj, alrededor de un 20% del valor regulado y verificar seguidamente el correcto funcionamiento del quemador.

Si el quemador se bloquea de nuevo, girar el botón un poco más, en sentido contrario a las agujas del reloj.

Atención: por norma, el presostato de aire debe impedir que el CO en los humos sea superior al 1% (10.000 p.p.m.). Para comprobarlo, introducir un analizador de CO en la chimenea, cerrar lentamente la boca de aspiración del ventilador (p.ej. con un cartón) y verificar que el quemador se bloquee antes de que el CO en los humos supere el 1%.

El presostato del aire es del tipo diferencial. Si existe una gran depresión en la cámara de combustión en la fase de prebarrido, puede ocurrir que el presostato no cierre su contacto; en este caso, colocar un tubito entre el presostato y la boca de aspiración del ventilador.

Atención: el uso del presostato de aire con funcionamiento diferencial sólo se permite en aplicaciones industriales y donde las normas permitan que el presostato de aire controle sólo el funcionamiento del ventilador, sin límite de referencia por lo que respecta al CO.

6 - PRESOSTATO GAS DE MÍNIMA (B)

Efectuar la regulación del presostato de gas de mínima después de haber efectuado todas las regulaciones del quemador, con el presostato ajustado al inicio de la escala (B).

Con el quemador funcionando en 2.^a llama, aumentar la presión de regulación girando lentamente (en sentido horario) el botón que se facilita a tal efecto, hasta que se pare el quemador.

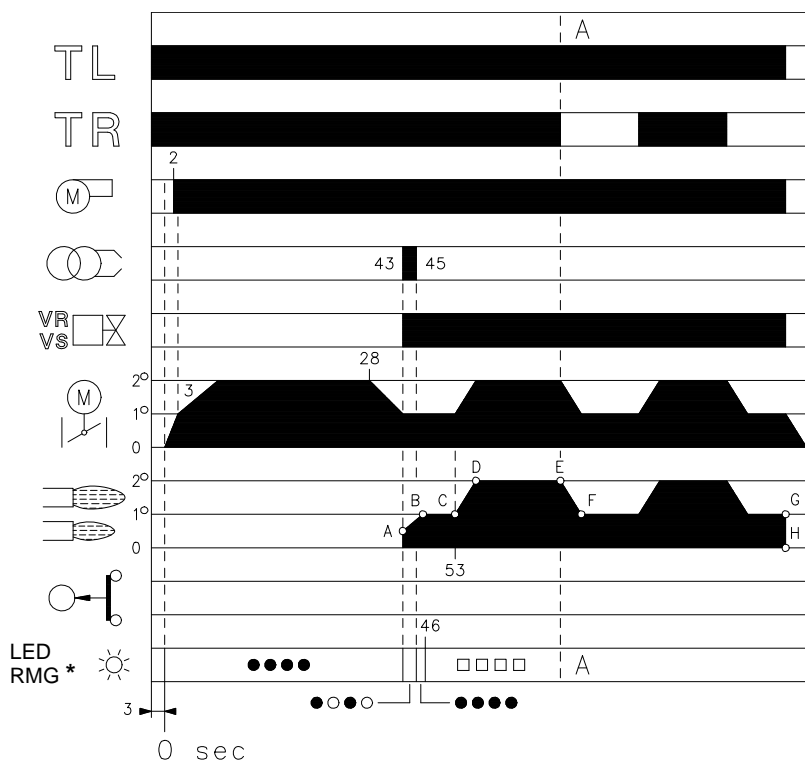
A continuación, girar dicho botón (en sentido contrario a las agujas del reloj) 2 mbar y repetir el arranque del quemador para verificar la regularidad de funcionamiento.

Si el quemador se para de nuevo, girar el botón (en sentido contrario a las agujas del reloj) 1 mbar.

CONTROL PRESENCIA LLAMA (C)

El quemador está dotado de un sistema de ionización para controlar la presencia de la llama. La corriente mínima para el funcionamiento de la caja de control es de 5 μA . El quemador genera una corriente netamente superior, no precisando normalmente ningún control. Sin embargo, si se desea medir la corriente de ionización, es preciso desenchufar el conector 8)(A)p.3 del cable de la sonda de ionización y conectar un microamperímetro de corriente continua de una baja escala de 100 μA . Atención a la polaridad.

ENCENDIDO NORMAL
(n° = segundos a partir del instante 0)

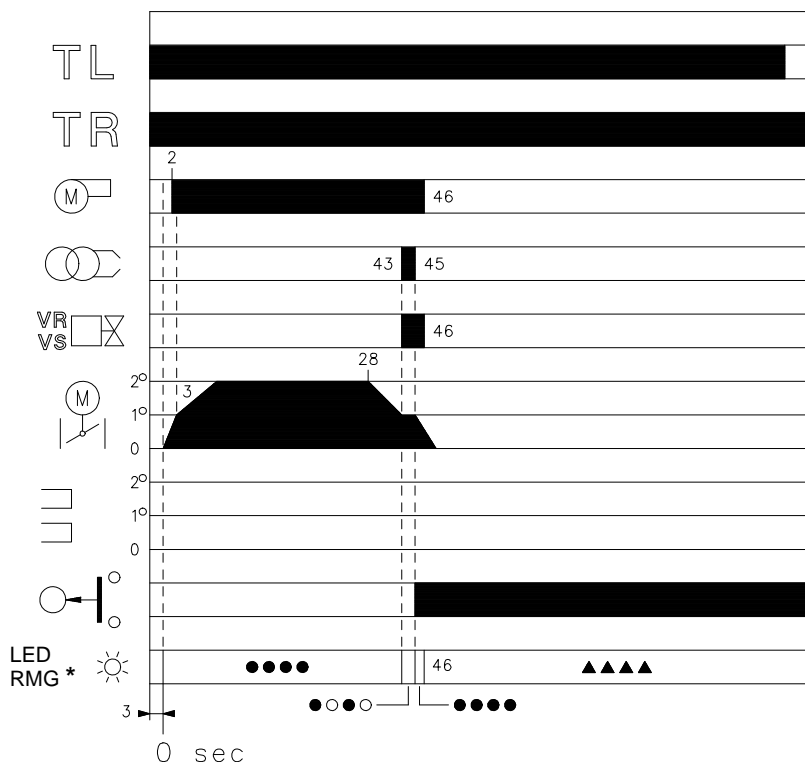


* ○ Apagado ● Amarillo □ Verde ▲ Rojo
Para mayores informaciones, véase la pág. 18.

(A)

D3051

FALTA DE ENCENDIDO



* ○ Apagado ● Amarillo ▲ Rojo
Para mayores informaciones, véase la pág. 18.

(B)

D3052

FUNCIONAMIENTO DEL QUEMADOR

PUESTA EN MARCHA DEL QUEMADOR (A)

Se cierra el termostato TL.
Se pone en marcha el servomotor: gira hacia la derecha hasta llegar al ángulo escogido con la leva naranja. Después de alrededor de 3 s:

- 0 s : Inicia el programa la caja de control.
- 2 s : Se pone en marcha el motor ventilador.
- 3 s : Se pone en marcha el servomotor: gira hacia la derecha hasta llegar a la actuación de la leva roja. El registro del aire se sitúa en la posición de potencia de 2.ª llama. Fase de prebarrido, con el caudal de aire de la potencia de 2.ª llama. Duración: 25 segundos.
- 28 s : Se pone en marcha el servomotor: gira hacia la izquierda hasta llegar al ángulo escogido con la leva naranja.
- 43 s : El registro del aire y la válvula de mariposa del gas se sitúan en la posición de potencia de 1.ª llama. Se genera chispa en el electrodo de encendido. Se abren las electroválvulas de seguridad VS y de regulación VR (abertura rápida). Se enciende la llama, con poca potencia, punto A. Sigue un progresivo aumento de la potencia, apertura lenta de la electroválvula VR, hasta llegar a la potencia de 1.ª llama, punto B.
- 45 s : Cesa la chispa.
- 53 s : Si el termostato TR está cerrado o sustituido por un puente, el servomotor gira hasta llegar a la actuación de la leva roja; colocando el registro del aire y el de mariposa del gas en posición de 2.ª llama, trazo C-D. Finaliza el ciclo de puesta en marcha de la caja de control.

FUNCIONAMIENTO A RÉGIMEN (A)

Caldera con termostato TR

Finalizado el ciclo de puesta en marcha, el mando del servomotor pasa al termostato TR, que controla la presión o la temperatura de la caldera, punto D. (La caja de control sigue controlando la presencia de llama y la correcta posición del presostato del aire).

- Cuando la temperatura aumenta hasta la abertura del termostato TR, el servomotor cierra el registro mariposa del gas y el del aire pasando el quemador de 2.ª a 1.ª llama (trazo E-F).
- Cuando la temperatura disminuye hasta el cierre del termostato TR, el servomotor cierra el registro mariposa del gas y el del aire pasando el quemador de 1.ª a 2.ª llama. Y así sucesivamente.
- El paro del quemador se produce cuando la demanda de calor es inferior a la generada por el quemador en 1.ª llama (trazo G-H). El termostato TL se abre, el servomotor regresa al ángulo 0°, limitado por el contacto de la leva azul. El registro se cierra completamente para reducir las pérdidas de calor al mínimo.

Caldera sin termostato TR, sustituido por un puente

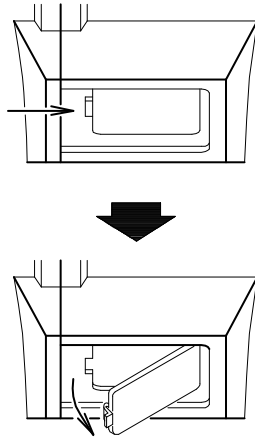
La puesta en marcha del quemador es del modo indicado con anterioridad. Sucesivamente, si la temperatura aumenta hasta la abertura del termostato TL, el quemador se apaga (trazo A-A del gráfico).

FALTA DE ENCENDIDO(B)

Si el quemador no se enciende, se produce el bloqueo del mismo a los 3 segundos de la abertura de la válvula de gas y a los 49 segundos del cierre del termostato TL. El LED rojo del aparato se enciende.

EXTINCIÓN DE LA LLAMA DURANTE EL FUNCIONAMIENTO

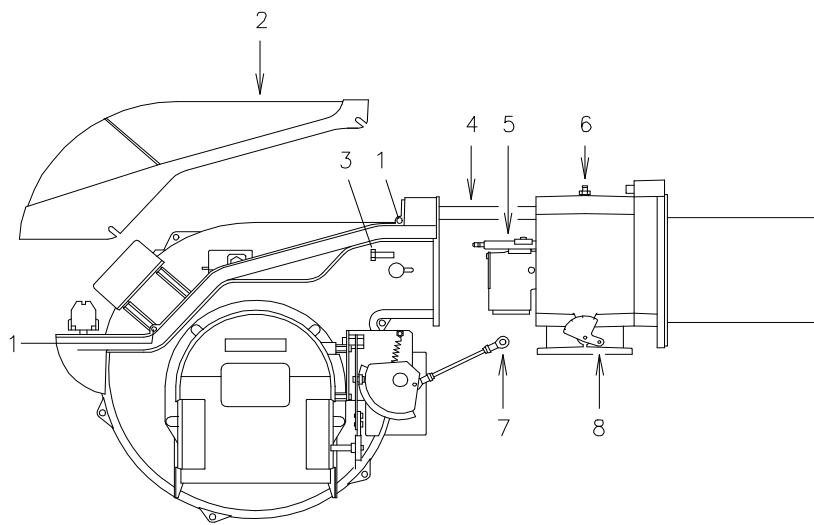
Si la llama se apaga durante el funcionamiento, el quemador se bloquea en 1 segundo.



(A)

D709

APERTURA DEL QUEMADOR



(B)

D3034

CONTROL FINAL (con el quemador funcionando)

- Desconectar un hilo del presostato gas de mínima:
 - Abrir el termostato TL:
 - Abrir el termostato TS:
- El quemador debe pararse
- Desconectar el hilo común P del presostato de aire:
 - Desconectar el hilo de la sonda de ionización:
- El quemador debe bloquearse
- Comprobar que los bloqueos mecánicos de los dispositivos de regulación estén bien apretados.

MANTENIMIENTO**Combustión**

Efectuar el análisis de los gases de combustión que salen de la caldera. Las diferencias significativas respecto al último análisis indicarán los puntos donde deberán centrarse las operaciones de mantenimiento.

Fugas de gas

Comprobar que no haya fugas de gas en el conducto contador-quemador.

Filtro de gas

Sustituir el cartucho filtrante cuando esté sucio.

Visor llama

Limpiar el cristal del visor llama (A).

Cabezal de combustión

Abrir el quemador y verificar que todas las partes del cabezal de combustión estén intactas, no estén deformadas por las altas temperaturas, no tengan suciedad proveniente del ambiente y estén correctamente posicionadas. En caso de duda, desmontar el codo 5)(B).

Quegador

Verificar que no haya un desgaste anormal o tornillos flojos en los mecanismos que controlan el registro del aire y la válvula de mariposa del gas. Igualmente, los tornillos que fijan los cables eléctricos en la regleta del quemador deben estar bien apretados.

Limpiar exteriormente el quemador, en particular las rótulas y la leva 3)(A)p.14.

Combustión

Regular el quemador si los valores de la combustión obtenidos al inicio de la intervención no cumplen las normas en vigor o no corresponden a una buena combustión.

Anotar en una ficha de control los nuevos valores de la combustión; serán útiles para controles sucesivos.

PARA ABRIR EL QUEMADOR (B):

- Cortar la alimentación eléctrica.
- Aflojar el tornillo 1) y extraer la cubierta 2).
- Soltar la rótula 7) del sector graduado 8).
- En los modelos con tubo de llama alargado (385-415 mm), montar los prolongadores en las guías 4)
- Quitar el tornillo 3) y desplazar el quemador por las guías 4) unos 100 mm. Desconectar los cables de la sonda y del electrodo y desplazar todo el quemador.

En este punto es posible extraer el distribuidor de gas 5), después de haber desenroscado el tornillo 6).

PARA CERRAR EL QUEMADOR (B):

- Quitar el pasador 9) y empujar el quemador hasta que esté a unos 100 mm del soporte quemador.
- Volver a conectar los cables y desplazar el quemador hasta que haga tope.
- Volver a colocar el tornillo 3) y, con cuidado, tirar de los cables de la sonda y del electrodo hacia afuera, hasta someterlos a una ligera tensión.
- Volver a enganchar la rótula 7) en el sector graduado 8).
- Desmontar los dos prolongadores de guías 4).

DIAGNÓSTICO DEL PROGRAMA DE PUESTA EN MARCHA

Durante el programa de puesta en marcha, en la siguiente tabla se indican las explicaciones:

TABLA CÓDIGO COLOR	
Secuencias	Código color
Preventilación	● ● ● ● ● ● ● ● ● ●
Etapa de encendido	● ○ ● ○ ● ○ ● ○ ●
Funcionamiento con llama ok	□ □ □ □ □ □ □ □ □ □
Funcionamiento con señal de llama débil	□ ○ □ ○ □ ○ □ ○ □
Alimentación eléctrica inferior que ~ 170V	● ▲ ● ▲ ● ▲ ● ▲ ●
Bloqueo	▲ ▲ ▲ ▲ ▲ ▲ ▲ ▲ ▲
Luz extraña	▲ □ ▲ □ ▲ □ ▲ □ ▲
Legenda:	○ Apagado ● Amarillo □ Verde ▲ Rojo

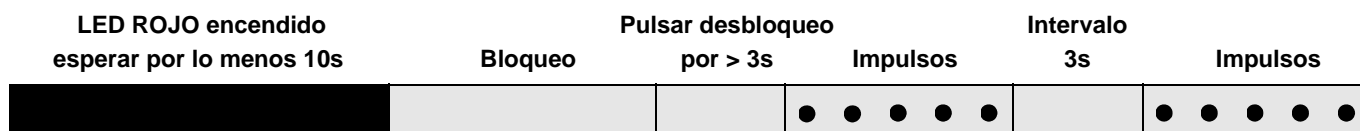
DESBLOQUEO DE LA CAJA DE CONTROL Y USO DE LA FUNCIÓN DE DIAGNÓSTICO

La caja de control suministrada tiene una función de diagnóstico con la que es posible individualizar fácilmente las posibles causas de un problema de funcionamiento (señalización: **LED ROJO**).

Para utilizar dicha función hay que esperar 10 segundos como mínimo desde el momento de la puesta en condición de seguridad (**bloqueo**), y luego oprimir el botón de desbloqueo.

La caja de control genera una secuencia de impulsos (cada 1 segundo) que se repite a intervalos constantes de 3 segundos.

Una vez visualizado el número de parpadeos e identificada la posible causa, hay que restablecer el sistema, manteniendo apretado el botón durante un tiempo comprendido entre 1 y 3 segundos.



A continuación se mencionan los métodos posibles para desbloquear la caja de control y para usar la función de diagnóstico.

DESBLOQUEO DE LA CAJA DE CONTROL

Para desbloquear la caja de control, proceda de la siguiente manera:

- Oprima el botón durante un tiempo comprendido entre 1 y 3 segundos.
El quemador arranca después de 2 segundos de haber soltado el botón.
Si el quemador no arranca, hay que controlar el cierre del termostato límite.

DIAGNÓSTICO VISUAL

Indica el tipo de desperfecto del quemador que produce el bloqueo.

Para ver el diagnóstico, proceda de la siguiente manera:

- Mantenga apretado el botón durante más de 3 segundos desde el momento en que el led rojo se encendió (bloqueo del quemador).
El final de la operación será indicado por un parpadeo amarillo.
Suelte el botón cuando se produzca dicho parpadeo. El número de parpadeos indica la causa del problema de funcionamiento, según el código que se indica en la tabla de la página 19.

DIAGNÓSTICO SOFTWARE

Suministra el análisis de la vida del quemador mediante una conexión óptica al PC, indicando las horas de funcionamiento, número y tipos de bloqueos, número de serie de la caja de control, etc.

Para ver el diagnóstico, proceda de la siguiente manera:

- Mantenga apretado el botón durante más de 3 segundos desde el momento en que el led rojo se encendió (bloqueo del quemador).
El final de la operación será indicado por un parpadeo amarillo.
Suelte el botón durante 1 segundo y luego oprímalo de nuevo durante más de 3 segundos hasta que se produzca otro parpadeo amarillo.
Al soltar el botón, el led rojo parpadeará intermitentemente con una frecuencia elevada: sólo en este momento se podrá conectar la conexión óptica.

Al concluir la operación hay que restablecer las condiciones iniciales de la caja de control, siguiendo los pasos de desbloqueo antedichos.

PRESIÓN DEL BOTÓN	ESTADO DE LA CAJA DE CONTROL
De 1 a 3 segundos	Desbloqueo de la caja de control sin visualización del diagnóstico visual.
Más de 3 segundos	Diagnóstico visual de la condición de bloqueo: (el led parpadea cada 1 segundo).
Más de 3 segundos desde la condición de diagnóstico visual	Diagnóstico software mediante la ayuda de la interfaz óptica y PC (posibilidad de visualizar las horas de funcionamiento, desperfectos, etc.)

La secuencia de los impulsos emitidos por la caja de control identifica los posibles tipos de avería que se mencionan en la página 19.

SEÑAL	ANOMALÍA	CAUSA PROBABLE	SOLUCIÓN
2 impulsos ● ●	Superado el prebarrido y el tiempo de seguridad, el quemador se bloquea sin aparecer la llama	1 - La electroválvula VR deja pasar poco gas 2 - La electroválvula VR o VS no se abre 3 - Presión de gas demasiado baja 4 - Electrodo de encendido mal regulado. 5 - Electrodo a masa por rotura aislamiento 6 - Cable de alta tensión defectuoso 7 - Cable de alta tensión deformado por la alta temperatura 8 - Transformador de encendido defectuoso 9 - Conexión eléctrico válvulas o transformador de encendido incorrecto 10 - Caja de control defectuosa 11 - Una válvula antes de la rampa de gas, cerrada 12 - Aire en las tuberías 13 - Electrovál. VS y VR no conectadas o bobina cortad.	Aumentarlo Sustituir bobina o panel rectificador Aumentarla en el regulador Regularlo; ver Fig. (C)p.6 Sustituirlo Sustituirlo y protegerlo Sustituirlo Rehacer las conexiones Sustituirla Abrirla Purgarlo Verificar el conexionado o sustituir bobina
3 impulsos ● ● ●	El quemador no se pone en marcha y aparece el bloqueo El quemador se pone en marcha y luego se bloquea Bloqueo durante la ventilación previa	14 - Presostato de aire en posición de funcionamiento El presostato de aire no conmuta por presión de aire insuficiente: 15 - Presostato de aire mal regulado 16 - Tubo toma presión aire del presostato obstruido 17 - Cabezal mal regulado 18 - Mucha depresión en cámara combustión 19 - Interruptor remoto mando motor defectuoso. 20 - Motor eléctrico defectuoso 21 - Bloqueo motor	Regularlo o sustituirlo Regularlo o sustituirlo Limpiarlo Regularlo Conectar presostato aire a la aspir. ventil. Sustituirlo Sustituirlo Desbloquear el relé térmico al retorno de las 3 fases
4 impulsos ● ● ● ●	El quemador se pone en marcha y luego se bloquea Bloqueo al pararse el quemador	22 - Simulación de llama 23 - Hay llama en el cabezal de combustión o simulación de llama	Sustituir la caja de control Eliminar la llama o sustituir la caja de control
7 impulsos ● ● ● ● ● ● ●	El quemador se bloquea al aparecer la llama Bloqueo del quemador al pasar de 1. ^a e 2. ^a llama o de 2. ^a a 1. ^a llama En funcionamiento, el quemador se bloquea	24 - La electroválvula VR deja pasar poco gas 25 - Sonda de ionización mal regulada 26 - Ionización insuficiente (inferior a 5 µA) 27 - Sonda a masa 28 - Insuficiente puesta a tierra 29 - Inversión del conexionado de fase y neutro 30 - Caja de control defectuosa 31 - Demasiado aire o poco gas 32 - Sonda o cable ionización a masa 33 - Presostato de aire averiado	Aumentarlo Regularla; ver Fig. (C)p.6 Comprobar la posición de la sonda Separarla o sustituir cable Revisar la puesta a tierra Corregir Sustituirla Regular el aire y el gas Sustituir la(s) pieza(s) deteriorada(s) Sustituirlo
10 impulsos ● ● ● ● ● ● ● ● ● ●	El quemador no se pone en marcha y aparece el bloqueo El quemador se bloquea	34 - Conexión eléctrico incorrecto 35 - Caja de control defectuosa 36 - Presencia de perturbaciones electromagnéticas	Comprobarlo Sustituirla Utilizar el kit protección contra las interferencias radio
Ningún parpadeo	El quemador no se pone en marcha El quemador repite el ciclo de puesta en marcha sin bloquearse Encendido con pulsaciones El quemador no pasa a 2. ^a llama El quemador se detiene con el registro vent. abierto	37 - Falta tensión eléctrica 38 - Un termostato de regulación o de seguridad abierto 39 - Fusible de línea fundido 40 - Caja de control defectuosa 41 - Falta de gas 42 - Presión de gas en red insuficiente 43 - El presostato gas de mínima no cierra 44 - La presión de gas en la red está cercana al valor que se ha regulado el presostato gas de mínima. La pérdida repentina de presión que se produce al abrirse la electroválvula provoca la abertura temporal del propio presostato, que hace que cierre la válvula rápidamente y se pare el quemador. La presión vuelve a aumentar, el presostato se cierra y hace que se repita el ciclo de puesta en marcha. Y así sucesivamente. 45 - Cabezal mal regulado 46 - Electrodo de encendido mal regulado. 47 - Registro ventilador mal regulado; demasiado aire 48 - Potencia de encendido demasiado elevada 49 - Termostato TR no cierra 50 - Caja de control defectuosa 51 - Servomotor defectuoso 52 - Servomotor defectuoso	Cerrar interruptores; comprobar conexionado Regularlo o sustituirlo Sustituirlo (2) Sustituirla Abrir válvulas manuales entre contador y la rampa Contacte con la COMPAÑÍA DE GAS Regularlo o sustituirlo Reducir la presión de actuación del presostato de mínima Sustituir el cartucho del filtro de gas. Regularlo; ver pág.7 Regularlo; ver Fig. (C)p. 6 Regularlo Reducirla Regularlo o sustituirlo Sustituirla Sostituirlo Sostituirlo

ACCESORIOS (suministro bajo demanda):

- **KIT PROTECCIÓN CONTRA LAS INTERFERENCIAS RADIO**

En caso de instalar el quemador en ambientes especiales expuestos a interferencias radio (emisión de señales de más de 10 V/m) debido a la presencia de INVERTER o en aplicaciones donde las conexiones del termostato superan los 20 metros de longitud, se encuentra disponible un kit de protección como interfaz entre la caja de control y el quemador.

QUEMADOR	RS 70 - RS 100 - RS 130
Código	3010386

- **KIT CABEZAL LARGO**

QUEMADOR	RS 70	RS 100	RS 130
Código	3010117	3010118	3010119

- **KIT PARA FUNCIONAMIENTO CON GLP:** El kit permite que los quemadores RS 70 - 100 - 130 funcionen con GLP.

QUEMADOR	RS 70		RS 100		RS 130	
Potencia kW	242 ÷ 814		349 ÷ 1163		466 ÷ 1512	
Longitud tubo llama mm	250	385	250	385	280	415
Código	3010097	3010098	3010099	3010100	3010101	3010102

- **KIT REDUCCIÓN VIBRACIONES**

QUEMADOR	RS 70		RS 100		RS 130	
Potencia kW	192 ÷ 814		232 ÷ 1163		185 ÷ 1461	
Longitud tubo llama mm	250	385	250	385	280	415
Código	3010201		3010202		3010373	3010374

- **INTERRUPTOR DIFERENCIAL:** código **3010329**

- **RAMPA DE GAS SEGÚN NORMA EN 676 (completa, con válvulas, regulador de presión y filtro):** ver página 8.

Importante: El instalador es responsable de la eventual incorporación de dispositivos de seguridad no previstos en este manual.
--

CARACTERÍSTICAS TÉCNICAS	página 2
Dados elétricos	2
Versões Construtivas	2
Acessórios	2
Descrição do queimador	3
Embalagem - Peso	3
Dimensões	3
Forma de fornecimento	3
Campos de trabalho	4
Caldeira de ensaio	4
Caldeiras comerciais	4
Pressão do gás	5
INSTALAÇÃO	6
Placa da caldeira	6
Comprimento do tubo de fogo	6
Fixação do queimador à caldeira	6
Regulação do cabeçal de combustão	7
Linha de alimentação gás	8
Instalação eléctrica	9
Regulação prévia ao acendimento	12
Servomotor	12
Arranque do queimador	12
Acendimento do queimador	12
Regulação do queimador:	13
1 - Potência de acendimento	13
2 - Potência na 2ª chama	13
3 - Potência na 1ª chama	14
4 - Potências intermédias	14
5 - Pressostato de ar	15
6 - Pressostato gás de mínima	15
Controlo de presença de chama	15
Funcionamento do queimador	16
Controlo final	17
Manutenção	17
Diagnóstico programa de arranque	18
Desbloqueio do equipamento e utilização do diagnóstico	18
Anomalia - Causa Provável - Solução	19
Acessórios	20

Nota

As figuras mencionadas no texto identificam-se da seguinte forma:

- 1)(A) = Pormenor 1 da figura A, na mesma página que o texto;
- 1)(A)p.3 = Pormenor 1 da figura A, página N° 3.

CARACTERÍSTICAS TÉCNICAS

MODELO			RS 70	RS 100	RS 130			
TIPO			821 T1	822 T1	823 T1			
POTÊNCIA (1)	2ª chama	kW	465 - 814	698 - 1163	930 - 1512			
		Mcal/h	400 - 700	600 - 1000	800 - 1300			
	min. 1ª chama	kW	192	232	372			
		Mcal/h	165	200	320			
COMBUSTÍVEL			GAS NATURAL: G20 - G21 - G22 - G23 - G25					
			G20	G25	G20	G25	G20	G25
- Poder Calorífico Inferior		kWh/Nm ³	10	8,6	10	8,6	10	8,6
		Mcal/Nm ³	8,6	7,4	8,6	7,4	8,6	7,4
- Densidade absoluta		kg/Nm ³	0,71	0,78	0,71	0,78	0,71	0,78
- Caudal máximo		Nm ³ /h	81	94	116	135	151	175
- Pressão a máximo caudal (2)		mbar	10,3	15,2	9,3	13,7	8,6	12,7
FUNCIONAMENTO			<ul style="list-style-type: none"> Intermitente (mín. 1 paragem em 24 horas). 2 chamas (2ª y 1ª) ou 1 chama (tudo - nada) 					
UTILIZAÇÃO			Caldeiras: de água, a vapor e óleo térmico					
TEMPERATURA AMBIENTE		°C	0 - 40					
TEMPERATURA AR COMBURENTE		°C max	60					
CONFORMIDADE COM DIRECTIVAS CEE			90/396 - 2004/108 - 2006/95 - 2006/42					
NÍVEL SONORO (3)		dB(A)	75	77	78,5			
HOMOLOGAÇÃO		CE	0085AP0944	0085AP0945	0085AP0946			

- (1) Condições de referência: Temperatura ambiente 20°C - Pressão barométrica 1000 mbar - Altitude acima do nível do mar 100 metros.
 (2) Pressão na tomada 16)(A)p.3 com pressão zero na câmara de combustão, com o disco do gás 2)(B)p.7 aberto e à potência máxima do queimador.
 (3) Pressão acústica medida em laboratório de combustão do construtor, com o queimador em funcionamento, em caldeira de ensaio, à máxima potência.

DADOS ELÉTRICOS

Motor IE1

MODELLO		RS 70	RS 100	RS 130
ALIMENTAÇÃO ELÉCTRICA	V Hz	230 - 400 com neutro ~ +/-10% 50 - trifásica		
MOTOR ELÉCTRICO	rpm	2800	2830	2860
	W	1100	1500	2200
	V	230 / 400	230 / 400	230 / 400
	A	4,7 - 2,7	6,4 - 3,7	8,5 - 4,9
TRANSFORMADOR DE ACENDIMENTO	V1 - V2 I1 - I2	230 V - 1 x 8 kV 1 A - 20 mA		
POTÊNCIA ELÉCTRICA ABSORVIDA	W max	1400	1800	2600
GRAU DE PROTECÇÃO		IP 44		

Motor IE2

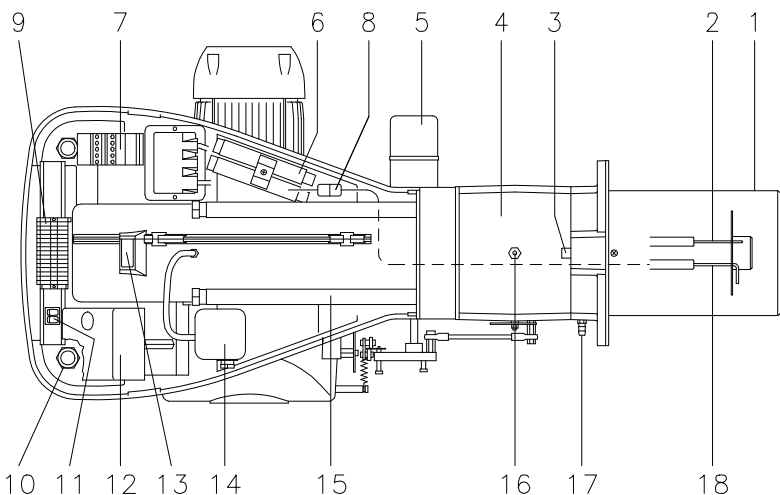
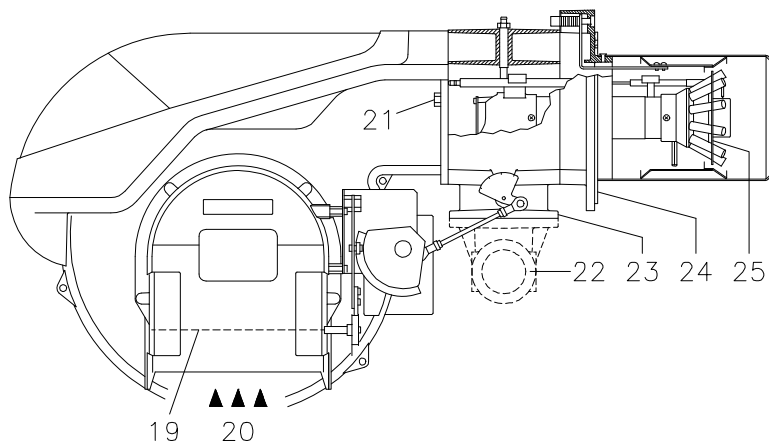
MODELLO		RS 70	RS 100	RS 130
ALIMENTAÇÃO ELÉCTRICA	V Hz	230 - 400 com neutro ~ +/-10% 50 - trifásica		
MOTOR ELÉCTRICO	rpm	2860	2860	2860
	W	1100	1500	2200
	V	230 / 400	230 / 400	230 / 400
	A	4,1 - 2,4	5,5 - 3,4	7,9 - 4,6
TRANSFORMADOR DE ACENDIMENTO	V1 - V2 I1 - I2	230 V - 1 x 8 kV 1 A - 20 mA		
POTÊNCIA ELÉCTRICA ABSORVIDA	W max	1400	1800	2600
GRAU DE PROTECÇÃO		IP 44		

VERSÕES CONSTRUTIVAS

Modelo	Alimentação eléctrica	Comprimento do tubo de fogo mm
RS 70	trifásico	250
	trifásico	385
RS 100	trifásico	250
	trifásico	385
RS 130	trifásico	280
	trifásico	415

CATEGORIA GAS

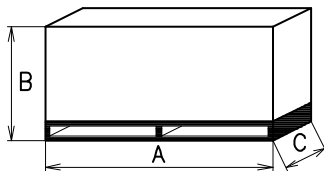
PAÍS	CATEGORIA
IT - AT - GR - DK - FI - SE	II ₂ H3B / P
ES - GB - IE - PT	II ₂ H3P
NL	II ₂ L3B / P
FR	II ₂ Er3P
DE	II ₂ ELL3B / P
BE	I ₂ E(R)B, I ₃ P
LU - PL	II ₂ E 3B/P



D3030

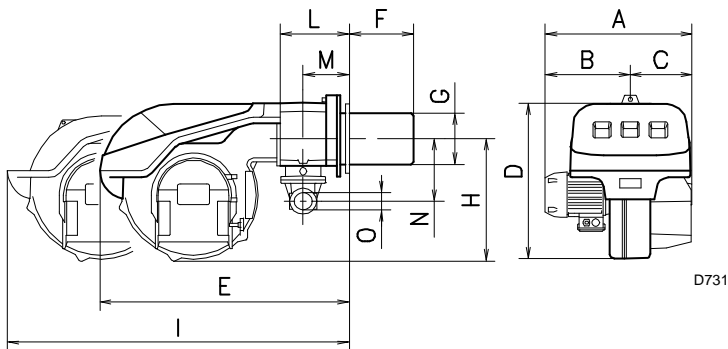
(A)

mm	A	B	C	kg
RS 70	1300	740	682	70
RS 100	1300	740	682	73
RS 130	1300	740	682	76



D36

(B)



D731

mm	A	B	C	D	E	F ₍₁₎	G	H	I ₍₁₎	L	M	N	O
RS 70	511	296	215	555	840	250 - 385	179	430	1161-1296	214	134	221	2"
RS 100	527	312	215	555	840	250 - 385	179	430	1161-1296	214	134	221	2"
RS 130	553	338	215	555	840	280 - 415	189	430	1161-1296	214	134	221	2"

(1) Tubo de fogo: curto-longo

(C)

DESCRIÇÃO DO QUEIMADOR (A)

- 1 Cabeçal de combustão
- 2 Eléctrodo de acendimento
- 3 Parafuso de regulação do cabeçal de combustão
- 4 Manguito de união do grupo ventilador ao cabeçal de combustão
- 5 Servomotor, para o controlo da válvula borboleta do gás e, através de uma came de perfil variável, o registo do ar.
Quando o queimador está parado, o registo do ar está completamente fechado de forma a reduzir ao mínimo a dispersão térmica da caldeira devido ao tipo de conduta de fumos que toma o ar da boca de aspiração do ventilador.
- 6 Prolongadores guias
- 7 Contactador motor e relé térmico com botão de rearme
- 8 Ficha do cabo da sonda de ionização
- 9 Régua de ligações
- 10 Passacabos para as ligações eléctricas a cargo do instalador
- 11 Dois interruptores:
- um "paragem-arranque"
- um para "1ª chama - 2ª chama"
- 12 Caixa de controlo com piloto luminoso de bloqueio e botão de desbloqueio
- 13 Visor chama
- 14 Pressostato de ar (tipo diferencial)
- 15 Guias para abertura do queimador e inspecção do cabeçal de combustão
- 16 Tomada de pressão do gás e parafuso de fixação do cabeçal
- 17 Tomada de pressão do ar
- 18 Sonda de ionização
- 19 Registo de ar
- 20 Entrada de ar do ventilador
- 21 Parafuso de fixação do ventilador ao suporte do queimador
- 22 Conduto de entrada de gás
- 23 Válvula borboleta gás
- 24 Flange para fixação à caldeira
- 25 Disco estabilizador da chama

Existem duas possibilidades de bloqueio do queimador:

• BLOQUEIO DA CAIXA DE CONTROLO:

Ao ficar aceso (**Led vermelho**) o botão da caixa 12)(A) indica que o queimador está bloqueado.

Para desbloquear, premir o botão por um período de tempo compreendido entre 1 e 3 segundos.

• BLOQUEIO MOTOR:

Para desbloquear, premir o botão do relé térmico 7)(A).

EMBALAGEM - PESO (B) - medidas aproximadas

• A embalagem do queimador apoia-se num suporte de madeira adaptado para um empilhador. As dimensões exteriores da embalagem indicam-se na tabela (B).

• O peso do queimador completo com a embalagem é indicado na tabela (B).

DIMENSÕES MÁXIMAS (C) - medidas aproximadas

As dimensões máximas do queimador são indicadas em (C).

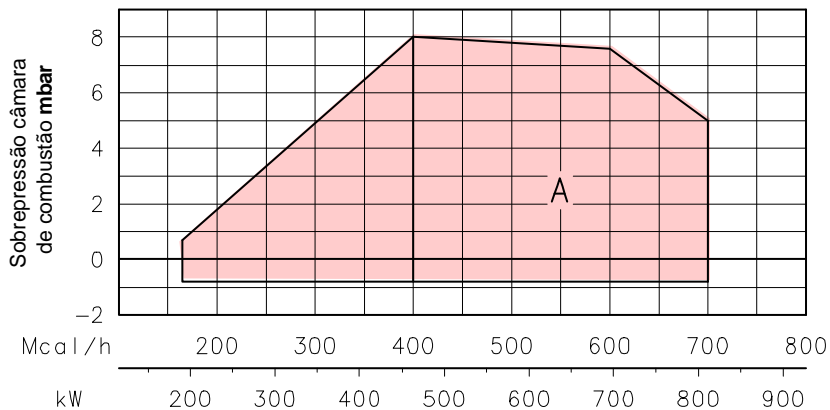
Ter em conta que para inspecionar o cabeçal de combustão, o queimador deve ser aberto deslocando a parte posterior pelas guias.

O comprimento máximo do queimador aberto, sem envolvente, está indicado pela cota I.

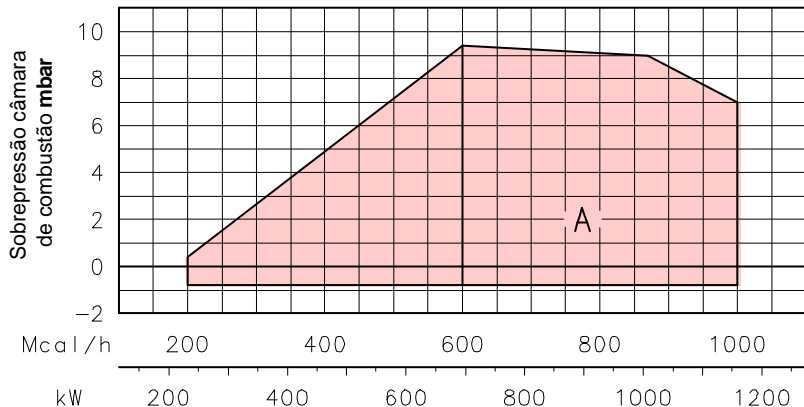
FORMA DE FORNECIMENTO

- 1 - Flange de ligação à linha de gás
- 1 - Junta da flange
- 4 - Parafusos M10 x 35 de fixação da flange
- 1 - Junta isolante
- 2 - Prolongadores 6)(A) para guias 15)(A) (só em modelos com cabeçal de 385 - 415 mm)
- 4 - Parafusos M12 x 35 para fixar a flange do queimador à caldeira
- 1 - Instruções
- 1 - Lista de peças de substituição

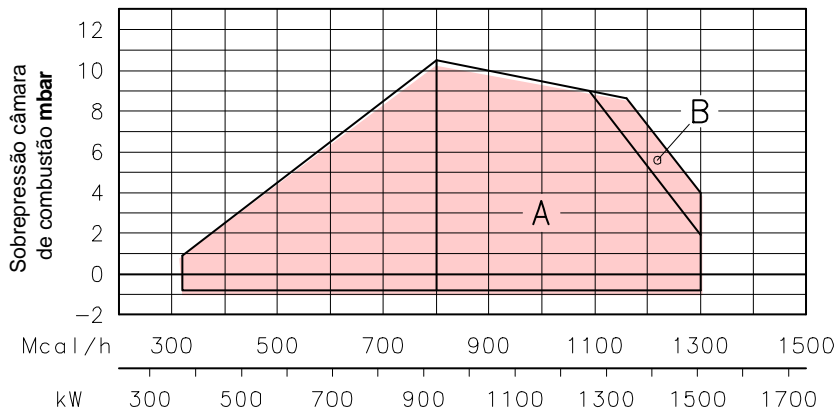
RS 70



RS 100



RS 130



CAMPOS DE TRABALHO (A)

Os queimadores RS 70 - 100 - 130 podem funcionar de duas formas: uma chama ou duas chama.

A **POTÊNCIA MÁXIMA** situa-se na zona A, Para poder utilizar também a zona B (RS 130) é preciso efectuar a pré-taragem do cabeçal de combustão conforme explicado na página 6.

A **POTÊNCIA MÍNIMA** não deve ser inferior ao limite mínimo do gráfico:

- RS 70 = 192 kW
- RS 100 = 232 kW
- RS 130 = 372 kW

Atenção

O CAMPO DE TRABALHO foi calculado considerando uma temperatura ambiente de 20°C, uma pressão barométrica de 1000 mbar (aprox. 100 metros acima do nível do mar) e com o cabeçal de combustão regulado conforme se indica na página 7.

CALDEIRA DE ENSAIO (B)

Os gráficos foram obtidos com caldeiras de ensaio especiais, conforme a norma EN 676. Na figura (B) é indicado o diâmetro e o comprimento da câmara de combustão da caldeira de ensaio.

Exemplo

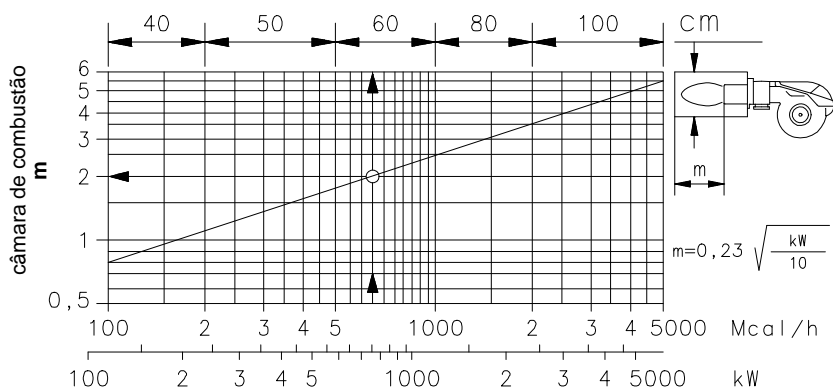
Potência 756 kW:
diâmetro 60 cm - comprimento 2 m.

CALDEIRAS COMERCIAIS

Não existe problema algum no acoplamento queimador-caldeira se esta tiver homologação CE e se as dimensões da câmara de combustão se aproximam das indicadas no gráfico (B). Se, pelo contrário, o queimador for instalado numa caldeira comercial não homologada CE ou com as dimensões da câmara de combustão muito mais pequenas que as indicadas no gráfico (B), deve-se consultar o fabricante.

(A)

D950



(B)

D715

RS 70

Δp (mbar)

kW	1	2	3					
			\varnothing 1" 1/2 3970145	\varnothing 1" 1/2 3970180	\varnothing 2" 3970146 3970160	\varnothing 2" 3970181 3970182	DN 65 3970147 3970161	DN80 3970148 3970162
			465	4,2	0,2	11,6	8,5	4,8
515	4,8	0,2	13,9	10,0	5,8	6,2	-	-
565	5,6	0,3	16,3	12,0	6,8	7,2	-	-
615	6,4	0,3	18,9	13,5	8,0	8,2	-	-
665	7,3	0,3	21,7	15,0	9,2	9,5	-	-
715	8,3	0,4	24,6	17,2	10,5	10,8	-	-
765	9,3	0,4	27,7	18,5	11,3	11,5	4,4	-
814	10,3	0,4	30,9	20,0	13,2	13,0	5,0	-

RS 100

Δp (mbar)

kW	1	2	3					
			\varnothing 1" 1/2 3970145	\varnothing 1" 1/2 3970180	\varnothing 2" 3970146 3970160	\varnothing 2" 3970181 3970182	DN 65 3970147 3970161	DN80 3970148 3970162
			695	3,7	0,4	23,5	17,0	9,9
760	4,2	0,4	27,4	18,5	11,7	11,5	4,4	-
825	5,0	0,5	31,6	20,5	13,6	13,2	5,1	-
890	5,8	0,5	36,1	23,0	15,6	14,0	5,8	-
955	6,5	0,6	40,9	26,0	17,7	16,0	6,6	-
1020	7,3	0,7	45,9	29,0	19,9	18,0	7,5	-
1085	8,3	0,8	51,1	33,0	22,3	20,0	8,4	4,5
1163	9,3	0,8	57,7	38,0	25,3	22,0	9,5	5,0

RS 130

Δp (mbar)

kW	1	2	3					
			\varnothing 1" 1/2 3970145	\varnothing 1" 1/2 3970180	\varnothing 2" 3970146 3970160	\varnothing 2" 3970181 3970182	DN 65 3970147 3970161	DN80 3970148 3970162
			930	3,8	1,0	39,0	22,0	16,9
1010	4,5	1,1	44,9	28,0	19,6	17,0	7,4	-
1090	5,1	1,3	51,5	33,0	22,5	20,0	8,5	4,5
1170	5,8	1,5	58,3	37,0	25,6	22,0	9,6	5,1
1250	6,5	1,7	65,4	40,0	28,8	25,0	10,8	5,7
1330	7,2	1,8	72,9	43,0	32,2	28,0	12,2	6,4
1410	7,9	1,9	80,7	48,0	35,8	31,0	13,6	7,1
1512	8,6	2,0	91,2	53,0	40,6	34,0	15,3	8,0

(A)

PRESSÃO DO GÁS

As tabelas existentes na margem indicam as perdas de carga mínimas da linha de alimentação de gás em função da potência do queimador na 2ª chama.

Coluna 1

Perda de carga cabeçal de combustão.

Pressão do gás na tomada 1)(B), com:

- Câmara de combustão a 0 mbar
- Queimador funcionando na 2ª chama
- Disco do gás 2)(B)p.7 regulado como é indicado no gráfico (C)p.7.

Coluna 2

Perda de carga registo borboleta gás 2)(B) com abertura máxima: 90°.

Coluna 3

Perda de carga rampa de gás 3)(B) compreende: válvula de regulação VR, válvula de segurança VS (ambas com a máxima abertura), regulador de pressão R, filtro F.

Os valores indicados nas tabelas referem-se a: gás natural G 20 PCI 10 kWh/Nm³ (8,6 Mcal/Nm³) Com:

gás natural G 25 PCI 8,6 kWh/Nm³ (7,4 Mcal/Nm³) multiplicar os valores das tabelas por 1,3.

Para conhecer a potência aproximada à que está a funcionar o queimador na 2ª chama:

- Subtrair à pressão do gás na tomada 1)(B) a sobrepressão da câmara de combustão.
- Procurar na tabela relativa ao queimador considerado, coluna 1, o valor da pressão mais próxima ao resultado obtido na subtração.
- Ler à esquerda a potência correspondente.

Exemplo - RS 100:

- Funcionamento em 2ª chama
- Gás natural G 20 PCI 10 kWh/Nm³
- Disco do gás 2)(B)p.8 regulado como é indicado no gráfico (C)p.8
- Pressão do gás na tomada 1)(B) = 8 mbar
- Pressão na câmara de combustão = 3 mbar

$$8 - 3 = 5 \text{ mbar}$$

À pressão de 5 mbar, coluna 1, corresponde na tabela do RS 100 uma potência na 2ª chama de 825 kW.

Este valor serve como primeira aproximação; o real determinar-se-á através do contador.

Pelo contrário, para conhecer a pressão do gás necessária na tomada 1)(B), uma vez fixada a potência à qual se deseja que o queimador funcione em 2ª chama:

- Procurar a potência mais próxima ao valor desejado, na tabela relativa ao queimador que se considere.
- Ler à direita, coluna 1, a pressão na tomada 1)(B).

Somar a este valor a sobrepressão estimada na câmara de combustão.

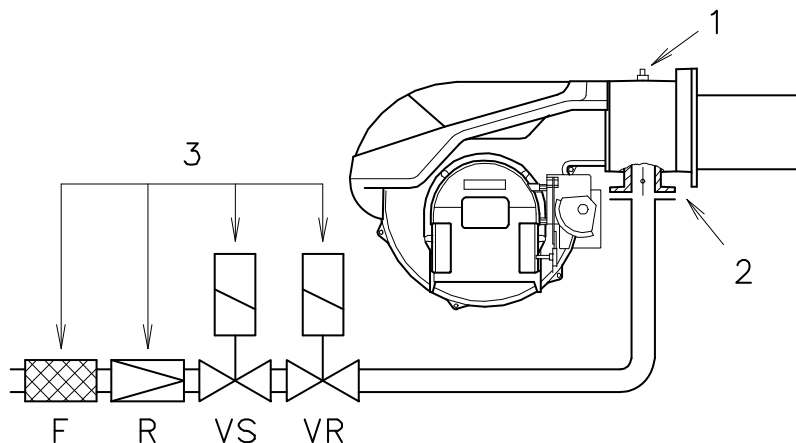
Exemplo - RS 100:

- Potência desejada em 2ª chama: 825 kW
- Gás natural G 20 PCI 10 kWh/Nm³
- Disco do gás 2)(B)p.7 regulado como é indicado no gráfico (C)p. 7
- Pressão do gás à potência de 825 kW, na tabela do RS 100, coluna 1 = 5 mbar
- Pressão na câmara de combustão = 3 mbar

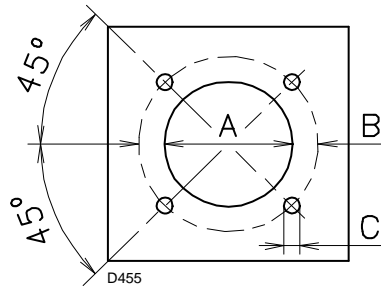
$$5 + 3 = 8 \text{ mbar}$$

pressão necessária na tomada 1)(B).

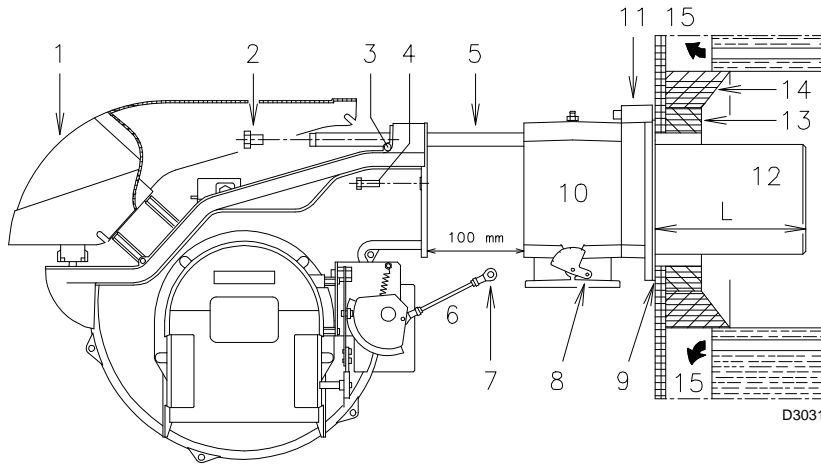
(B)



mm	A	B	C
RS 70	185	275 - 325	M 12
RS 100	185	275 - 325	M 12
RS 130	195	275 - 325	M 12



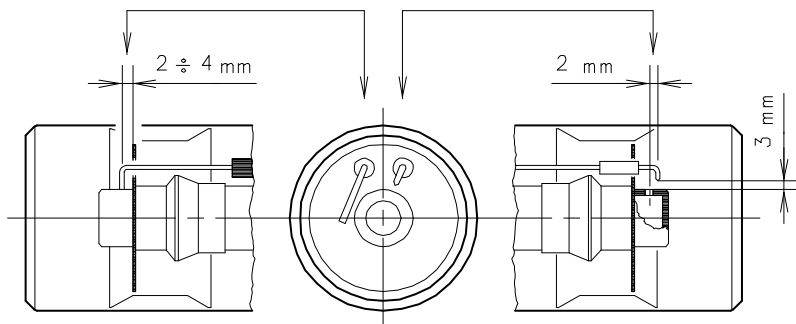
(A)



(B)

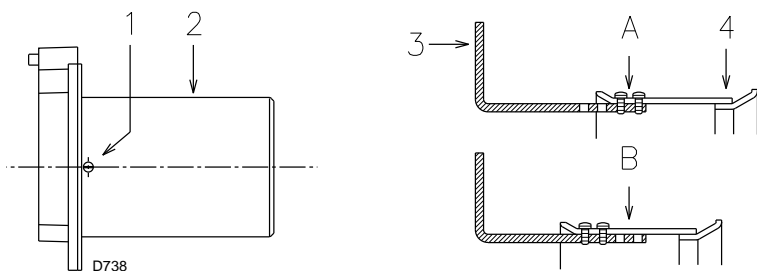
SONDA

ELÉCTRODO



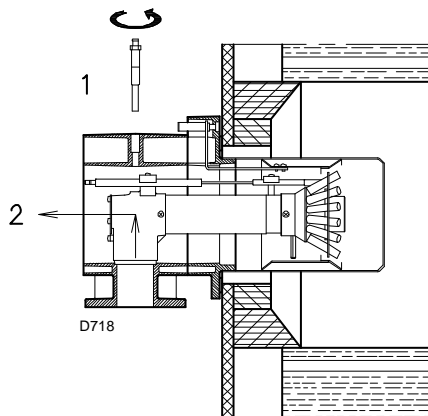
D613

(C)



D738

(D)



D718

(E)

INSTALAÇÃO

PLACA DA CALDEIRA (A)

Furar a placa de fecho da câmara de combustão tal como é indicado em (A). Pode marcar-se a posição dos orifícios roscados utilizando a junta isolante que é fornecida com o queimador.

COMPRIIMENTO DO TUBO DE FOGO (B)

O comprimento do tubo de fogo deve ser seleccionado de acordo com as indicações do fabricante da caldeira e, em qualquer caso, deve ser maior que a espessura da porta da caldeira completa, com o material refractário incluído. Os comprimentos, L (mm), disponíveis são

Tubo chama 12): **RS 70** **RS 100** **RS 130**

• curto	250	250	280
• longo	385	385	415

Para caldeiras com passagens de fumos dianteiras 15) ou com câmara de inversão de chama, colocar uma protecção em material refractário 13) entre o refractário da caldeira 14) e o tubo de fogo 12).

Esta protecção deve permitir o deslocamento do tubo de fogo.

Nas caldeiras com frontal refrigerado por água, não é necessário o revestimento refractário 13)-14)(B), salvo se este for indicado pelo fabricante da caldeira.

FIXAÇÃO DO QUEIMADOR À CALDEIRA (B)

Antes de fixar o queimador à caldeira, verificar (através da abertura do tubo de fogo) se a sonda e o eléctrodo de acendimento estão correctamente posicionados como indica a figura (C).

Seguidamente separar o cabeçal de combustão do resto do queimador, fig. (B):

- Desenroscar os 4 parafusos 3) e retirar a envolvente 1);
- Desprender a articulação 7) do sector graduado 8);
- Desenroscar os parafusos 2) das duas guias 5);
- Desenroscar os 2 parafusos 4) e deslocar o queimador pelas guias 5) cerca de 100 mm;
- Desligar os cabos da sonda e do eléctrodo e seguidamente retirar por completo o queimador das guias.

PRÉ-TARAGEM DO CABEÇAL DE COMBUSTÃO

Para o modelo RS 130 verificar, a este ponto, se o caudal máximo do queimador em 2a chama está compreendido na zona A ou B do campo de trabalho. Ver página 4.

Se estiver na zona A não é necessário alguma intervenção.

Se pelo contrário, não estiver na zona B:

- Desenroscar os parafusos 1) (D) e desmontar o tubo de fogo 2).
- Deslocar a fixação da haste 3)(D) da posição A para a posição B, fazendo desta maneira retrocer o obturador 4).
- Remontar o tubo de fogo 2)(D) e os parafusos 1).

Uma vez efectuada esta eventual operação, fixar a flange 11)(B) à placa da caldeira, intercalando a junta 9)(B) fornecida. Utilizar os 4 parafusos fornecidos, depois de ter protegido a rosca com um produto antibloqueio.

O acoplamento do queimador à caldeira deve ser hermético.

Se na verificação anterior, a posição da sonda ou do eléctrodo não era correcta, desenroscar o parafuso 1)(E), retirar a parte interior 2)(E) do cabeçal e proceder à sua calibragem.

Não rodar a sonda, mas sim, deixá-la conforme o indicado em (C), aproximar demasiado do eléctrodo de acendimento poderá danificar o amplificador da caixa de controlo.

REGULAÇÃO DO CABEÇAL DE COMBUSTÃO

Neste ponto da instalação, o tubo de fogo e o suporte queimador fixam-se à caldeira como é indicado na Fig. (A). Assim, resulta particularmente fácil fazer a regulação do cabeçal de combustão; esta regulação depende unicamente da potência desenvolvida pelo queimador na 2ª chama.

Portanto, antes de regular o cabeçal de combustão, é preciso fixar este valor.

São previstas duas regulações do cabeçal, a do ar e a do gás.

Procurar no gráfico (C) a posição à qual regular o ar e o gás, da seguinte forma:

Regulação do ar (A)

Rodar o parafuso 4)(A) até que coincida o número de posição calculada com o plano anterior 5)(A) da flange.

Regulação do gás (B)

Aliviar os 3 parafusos 1)(B) e rodar o disco 2) até que coincida o número de posição calculada com o índice 3). Apertar bem os 3 parafusos 1).

Exemplo:

Queimador RS 70

Potência queimador = 581 kW (500 Mcal/h)

No gráfico (C), para esta potência o número de posição de regulação de ar e gás é a 3, tal como está nos desenhos Fig. (A) e Fig. (B).

NOTA

O gráfico (C) indica a regulação óptima do cabeçal. Se a pressão da rede de alimentação de gás é muito baixa e não permite que seja alcançada a pressão indicada na pág. 5 na 2ª chama, e se o disco 2)(B) só está parcialmente aberto, ainda é possível abrir o disco 1 ou 2 posições

Seguindo o exemplo anterior, na pág. 6 pode-se observar que para um queimador RS 70 com uma potência de 581 kW (500 Mcal/h), é necessária uma pressão aproximada de 6 mbar na tomada 6)(A). Se não se dispõe da referida pressão, abrir o disco 2)(B) até à posição 4-5. Verificar que a combustão é satisfatória e sem pulsações.

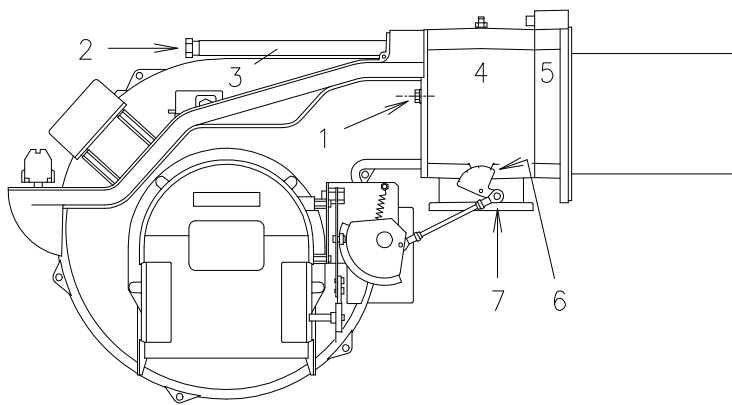
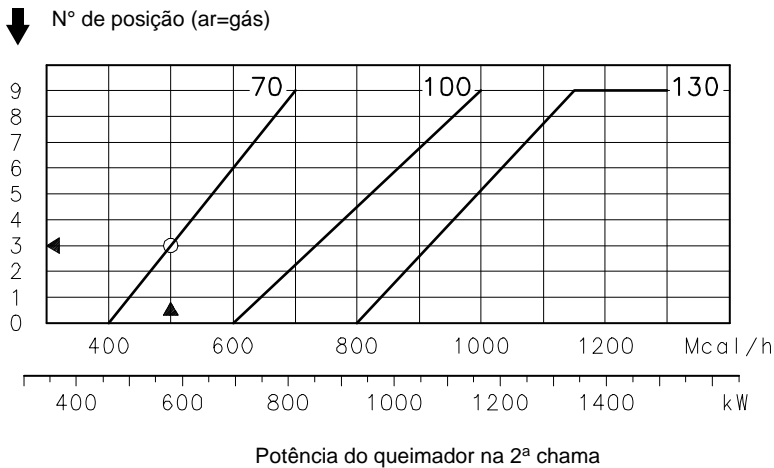
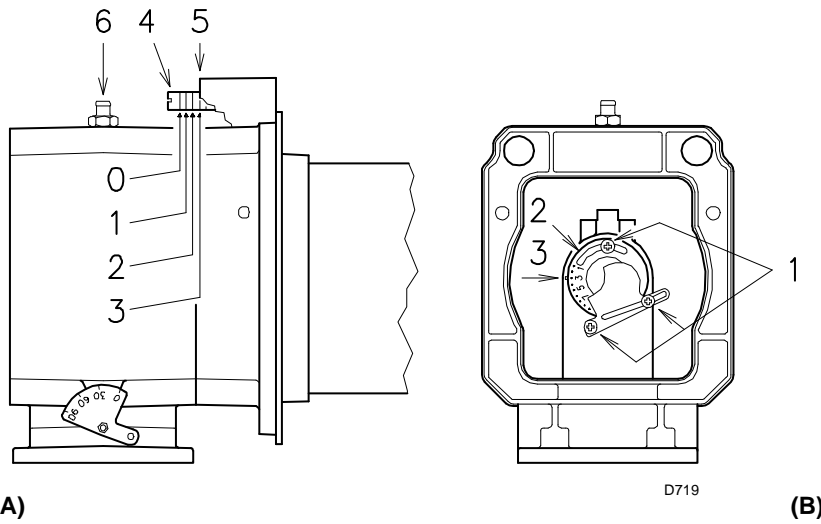
Finalizada a regulação do cabeçal, voltar a montar o queimador nas guias 3)(D) a cerca de 100 mm do suporte queimador 4)(D) (queimador na posição indicada na Fig. (B)p.6 - ligar os cabos da sonda e do eléctrodo e seguidamente deslocar o queimador até ao suporte (queimador na posição indicada na Fig. (D)).

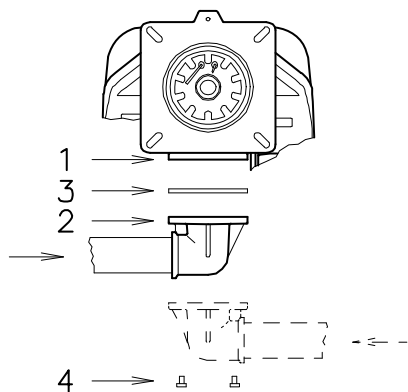
Voltar a colocar os parafusos 2) nas guias 3). Fixar o queimador ao suporte através dos parafusos 1).

Montar a articulação 7) no sector graduado 6).

Atenção

No momento de fechar o queimador nas guias, é conveniente puxar suavemente para fora o cabo de alta tensão e da sonda de ionização até que estejam ligeiramente esticados.





(A)

D722

LINHA ALIMENTAÇÃO DE GÁS

- A linha de gás está unida à ligação 1)(A), através da flange 2), a junta 3) e os parafusos 4), fornecidos com o queimador.
- A linha pode chegar pela direita ou pela esquerda, conforme convenha. Ver Fig. (A).
- As electroválvulas 8)-9)(B) de gás devem estar o mais perto possível do queimador, para assegurar a chegada do gás ao cabeçal de combustão no tempo de segurança de 3 segundos.
- Certificar-se de que o campo de taragem do regulador de pressão (cor da mola) abarca a pressão de gás de que necessita o queimador.

LINHA DE GÁS (B)

Está homologada conforme a norma EN 676 e é fornecida em separado, com o número de referência que é indicado na tabela (C).

LEGENDA (B)

- 1 - Condução de chegada do gás
 - 2 - Válvula manual
 - 3 - Junta anti-vibratória
 - 4 - Manómetro com válvula de botão
 - 5 - Filtro
 - 6 - Regulador de pressão (vertical)
 - 7 - Pressostato gás de mínima
 - 8 - Electroválvula de segurança VS (vertical)
 - 9 - Electroválvula de regulação VR (vertical)
- Tem duas regulações:
- caudal de acendimento (abertura rápida)
 - caudal máximo (abertura lenta)
- 10 - Junta e flange, fornecidas com o queimador
 - 11 - Registo borboleta de gás
 - 12 - Queimador
 - 13 - Dispositivo para o controlo da estanqueidade das electroválvulas 8)-9).

Conforme a norma EN 676, o controlo de estanqueidade é obrigatório para queimadores com potência máxima superior a 1200 kW.

14 - Adaptador linha de gás-queimador

P1 - Pressão no cabeçal de combustão

P2 - Pressão à saída do regulador

P3 - Pressão antes do filtro

L - Linha de gás fornecida em separado, com o N° de Ref. que é indicado na tabela (C).

L1 - A cargo do instalador

LEGENDA TABELA (C)

C.T.= Dispositivo de controlo de estanqueidade válvulas gás 8) - 9):

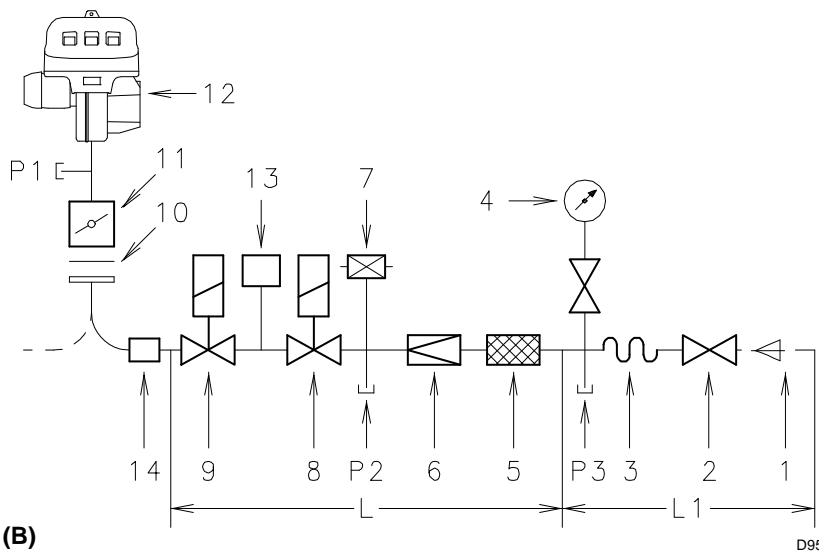
- = Linha de gás sem dispositivo para o controlo de estanqueidade; dispositivo que pode ser encomendado à parte, ver coluna 13, e montado sucessivamente.
- ◆ = Linha de gás com o dispositivo para o controlo de estanqueidade VPS montado.

13 = Dispositivo de controlo de estanqueidade válvula VPS. É fornecido à parte da linha de gás, por encomenda.

14 = Adaptador linha de gás-queimador. É fornecido à parte da linha de gás, por encomenda.

Nota

Para a regulação da linha de gás, ver as instruções que acompanham a mesma.



(B)

D953

QUEIMADORES E LINHAS DE GÁS HOMOLOGADAS CONFORME NORMA EN 676

Linha de gás L			Queimador			13	14
Ø	C.T.	Código	RS 70	RS 100	RS 130	Código	Código
1"1/2	-	3970145	•	•	•	3010123	3000843
1"1/2	-	3970180	•	•	•	3010123	3000843
2"	-	3970146	•	•	•	3010123	-
2"	◆	3970160	•	•	•	-	-
2"	-	3970181	•	•	•	3010123	-
2"	◆	3970182	•	•	•	-	-
DN 65	-	3970147	•	•	•	3010123	3000825
DN 65	◆	3970161	•	•	•	-	3000825
DN 80	-	3970148	-	-	•	3010123	3000826
DN 80	◆	3970162	-	-	•	-	3000826

(C)

COMPONENTES LINHA DE GÁS L

Código	Componentes		
	Filtro 5	Regulador de pressão 6	Válvulas 8 - 9
3970145	GF 515/1	FRS 515	DMV-DLE 512/11
3970180	Multiblock MB DLE 415		
3970146	GF 520/1	FRS 520	DMV-DLE 520/11
3970160	Multiblock MB DLE 420		
3970181	Multiblock MB DLE 420		
3970182	Multiblock MB DLE 420		
3970147	GF 40065/3	FRS 5065	DMV-DLE 5065/11
3970161	Multiblock MB DLE 420		
3970148	GF 40080/3	FRS 5080	DMV-DLE 5080/11
3970162	Multiblock MB DLE 420		

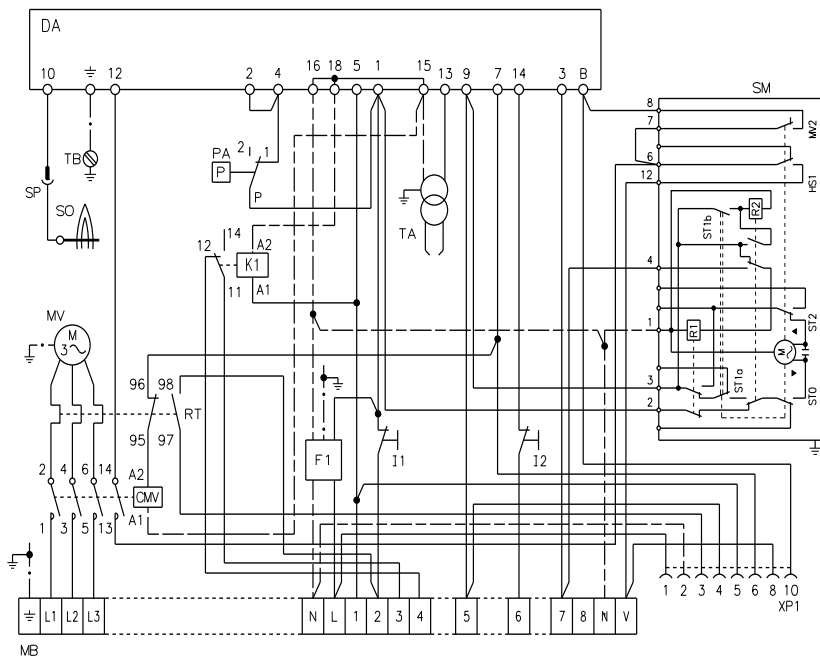
ESQUEMA (C)

Queimador RS 70 - RS 100 - RS 130

- Os modelos RS 70 - RS 100 - RS 130, saem de fábrica previstos para uma corrente eléctrica a **400 V**.
- Se a alimentação for de **230 V**, alterar a ligação do motor (de estrela a triângulo) e a regulação do relé térmico.

Legenda schema (A)

- CMV - Contactor motor
- DA - Caixa de controlo (Landis RMG)
- F1 - Filtro contra radio-interferências
- K1 - Relé
- I1 - Interruptor arranque - paragem
- I2 - Interruptor 1ª - 2ª chama
- MMI 813 - Caixa de controlo
- MB - Régua queimador
- MV - Motor ventilador
- PA - Pressostato ar
- RT - Relé térmico
- SM - Servomotor
- SO - Sonda de ionização
- SP - Ficha-Tomada
- TA - Transformador de acendimento
- TB - Ligação à terra do queimador
- XP1 - Conector

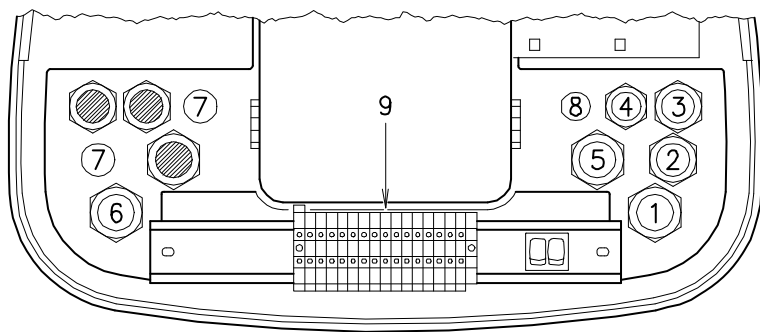


(A)

D3055

ATENÇÃO

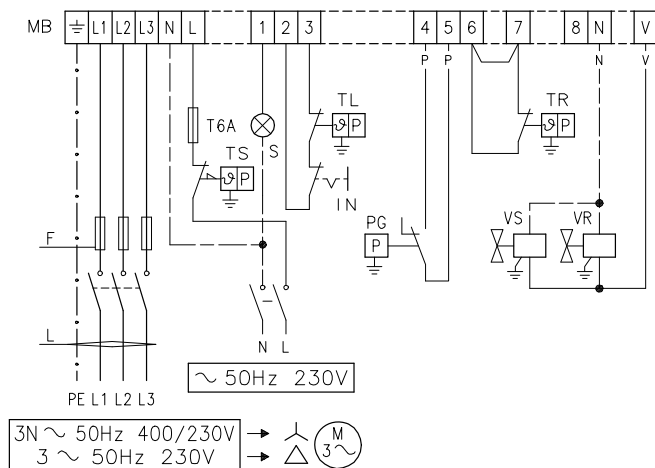
Em caso de alimentação fase/fase, é necessário efectuar uma ponte na régua do equipamento entre o terminal 6 e o terminal de terra.



(A)

D955

RS 70 - RS 100 - RS 130 sem controlo de estanquicidade das válvulas de gás



LIGAÇÃO ELÉCTRICA

Utilizar cabos flexíveis conforme a norma EN 60 335-1:

- se revestidos de PVC, utilizar pelo menos H05 VV-F
- se revestidos de borracha, utilizar pelo menos H05 RR-F.

Todos os cabos que estão ligados à régua de ligações 7)(A) do queimador, devem ser instalados através dos passacabos.

Os passacabos e os orifícios marcados podem ser utilizados de várias formas; como exemplo, indicamos a seguinte forma:

- 1- Pg 13,5 Alimentação trifásica
- 2- Pg 11 Alimentação monofásica
- 3- Pg 11 Termostato TL
- 4- Pg 9 Termostato TR
- 5- Pg 13,5 Válvulas de gás
- 6- Pg 13,5 Pressostato de gás ou dispositivo de controlo de estanquicidade das válvulas de gás
- 7- Pg 11 Perfurar, caso se pretenda utilizar
- 8- Pg 9 Perfurar, caso se pretenda utilizar

ESQUEMA (B)

Ligação eléctrica do queimador RS 70 - RS 100 - RS 130 sem controlo de estanquicidade das válvulas de gás

ESQUEMA (C)

Ligação eléctrica do queimador RS 70 - RS 100 - RS 130 com controlo de estanquicidade das válvulas de gás VPS

O controlo de estanquicidade das válvulas de gás faz-se imediatamente antes de cada arranque do queimador.

Fusíveis e secção dos cabos dos esquemas (B - C), ver tabela (D).

Secção cabos não indicada é de 1,5 mm²

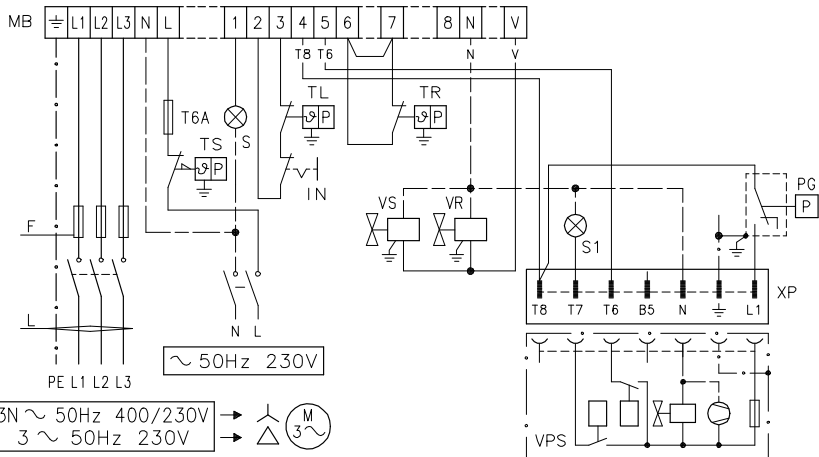
(B)

D956

RS 70 - RS 100 - RS 130 sem controlo de estanquicidade das válvulas de gás VPS

LEGENDA ESQUEMAS (B) - (C)

- IN - Interruptor de paragem manual do queimador
- XP - Ficha de controlo de estanquicidade
- MB - Régua queimador
- PG - Pressostato gás de mínima
- S - Sinalização de bloqueio à distância
- S1 - Sinalização bloqueio controlo estanquicidade à distância
- TR - Termostato de regulação: comanda a 1ª e 2ª chamas de funcionamento. Se desejar que o queimador tenha só a 1ª chama de funcionamento, substituir TR com uma ponte.
- TL - Termostato de regulação máxima: provoca a paragem do queimador quando a temperatura ou a pressão na caldeira atinge o valor pré-estabelecido.
- TS - Termostato de segurança: actua em caso de avaria do termostato TL.
- VR - Electroválvula de regulação
- VS - Electroválvula de segurança

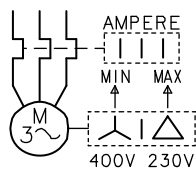


(C)

D957

	RS 70		RS 100		RS 130		
	230 V	400 V	230 V	400 V	230 V	400 V	
F	A	T10	T6	T16	T10	T16	T10
L	mm ²	1,5	1,5	1,5	1,5	1,5	1,5

(D)



(A)

D867

ESQUEMA (A)**Regulação do relé térmico 7)(A)p. 3**

Serve para evitar que o motor se queime por um forte aumento do consumo devido à ausência de uma fase.

- Se motor é alimentado em estrela, **400 V**, o cursor deve situar-se em "MÍN".
- Se motor é alimentado a triângulo, **230 V**, o cursor deve situar-se em "MÁX".

Se a escala do relé térmico não compreende o consumo nominal do motor a 400 V, a protecção está igualmente assegurada.

NOTE

• Os queimadores RS 70 - RS 100 - RS 130 saem de fábrica preparados para uma corrente eléctrica a **400 V**. Se a corrente for a **230 V**, mudar a ligação do motor (de estrela a triângulo) e a regulação do relé térmico.

• Os queimadores RS 70 - RS 100 - RS 130 foram homologados para funcionar de modo intermitente. Isto significa que devem parar "por Norma" pelo menos uma vez cada 24 horas para permitir que a caixa de controlo faça uma verificação da eficácia ao arranque. Normalmente, a paragem do queimador está assegurada pelo termostato da caldeira.

Se assim não for, deverá colocar em série com o interruptor IN, um interruptor horário que pare o queimador pelo menos uma vez cada 24 horas.

• Os queimadores RS 70 - RS 100 - RS 130 saem da fábrica preparados para funcionar com 1a e 2a chamadas e portanto deve ser ligado ao termostato TR.

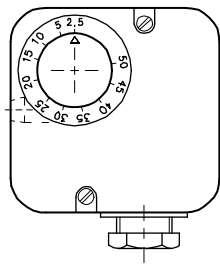
Se si deseja que estes queimadores tenham um funcionamento de um escalão (tudo-nada), colocar um shunt entre os bornes 6 e 7, em substituição do termostato TR.

Atenção:

Não inverter o Neutro com a Fase na linha de alimentação eléctrica.

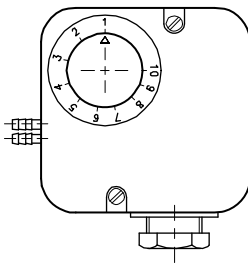
A eventual inversão poderia determinar uma paragem em bloqueio por falta de acendimento.

PRESSOSTATO GÁS DE MÍN.



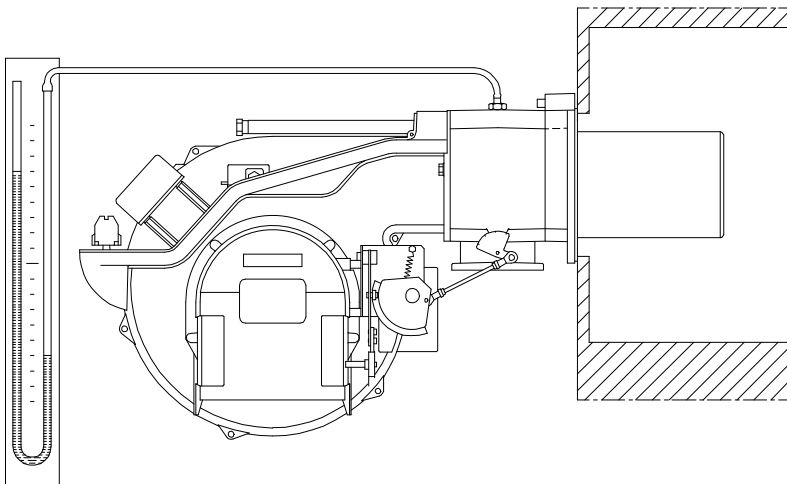
(A)

PRESSOSTATO AR



(B)

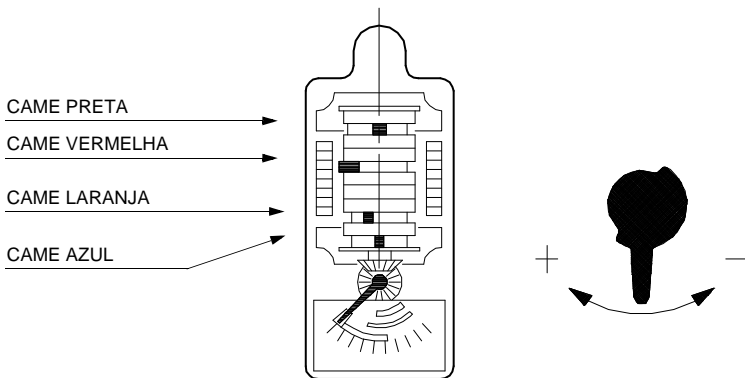
D897



(C)

D3033

SERVOMOTOR



(D)

D728

REGULAÇÃO ANTES DO PRIMEIRO ACENDIMENTO

A regulação do cabeçal de combustão, ar e gás, já foi descrita na pág. 7.

Efectuar, ainda, as seguintes regulações:

- Abrir as válvulas manuais localizadas antes da linha de gás.
- Regular o pressostato gás de mínima ao início da escala (A).
- Regular o pressostato ar ao início da escala (B).
- Purgar o ar da linha de gás.

É aconselhável evacuar o ar purgado ao exterior do edifício (através de um tubo de plástico) até notar o odor característico do gás.

- Instalar um manómetro de tubo em "U" (C) na tomada de pressão do suporte queimador. Serve para calcular, aproximadamente, a potência do queimador em 2ª chama através das tabelas da pág. 5.
- Ligar em paralelo às duas electroválvulas de gás VR e VS, duas lâmpadas ou um tester para controlar o momento da chegada de corrente.

Esta operação não é necessária se cada uma das electroválvulas estiver equipada com uma luz piloto que assinala a presença de corrente eléctrica.

Antes de colocar em funcionamento o queimador, é conveniente regular a linha de gás de forma que o acendimento se faça em condições de máxima segurança, isto é, com um pequeno caudal de gás.

Antes de colocar em funcionamento o queimador, é conveniente regular a linha de gás de forma que o acendimento se faça em condições de máxima segurança, isto é, com um pequeno caudal de gás.

SERVOMOTOR (D)

O servomotor regula em simultâneo o registo do ar pela came de perfil variável e a válvula borboleta do gás.

O ângulo de rotação do servomotor é igual ao ângulo do sector graduado da válvula borboleta do gás. O servomotor roda 90° em 15 segundos.

Não modificar a regulação feita de fábrica das 4 cames com que está dotado; verificar simplesmente que as cames estão reguladas da seguinte forma:

Came vermelha : 90°

Limita a rotação máxima. Com o queimador funcionando em 2ª chama, a válvula de borboleta do gás deve estar completamente aberta: 90°.

Came azul : 0°

Limita a rotação mínima.

Com o queimador parado, o registo de ar e a válvula borboleta do gás devem estar fechados: 0°.

Came laranja : 15°

Regula a posição de acendimento e da potência em 1ª chama.

Came preta : 85°

Acende o Led da 2ª chama.

Uma etiqueta graduada com os 4 sectores coloridos indica a came que intervém.

ARRANQUE DO QUEIMADOR

Fechar os termostatos e premir:

- o interruptor 1)(E) para a posição "Queimador em funcionamento";
- o interruptor 2)(E) para a posição "1ª chama".

Assim que o queimador entre em funcionamento, controlar o sentido de giro da turbina do ventilador através do visor de chama 13)(A)p.3. Verificar que as lâmpadas ou o tester ligados às electroválvulas, ou às luzes piloto das próprias electroválvulas, indicam ausência de corrente. Se assinalam que existe corrente, parar **imediatamente** o queimador e verificar a ligação eléctrica.

ACENDIMENTO DO QUEIMADOR

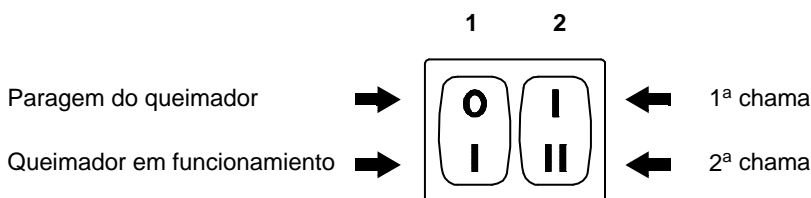
Depois de ter efectuado as operações descritas no parágrafo anterior, o queimador deve acender-se. Se o motor arranca mas não aparece chama e a caixa de controlo se bloqueia, rearmar esta e fazer uma nova tentativa de arranque. Se o acendimento continua sem efeito, pode ser devido a que o gás não chega ao cabeçal de combustão no tempo de segurança de 3 segundos. Em tal caso, aumentar o caudal de gás no acendimento.

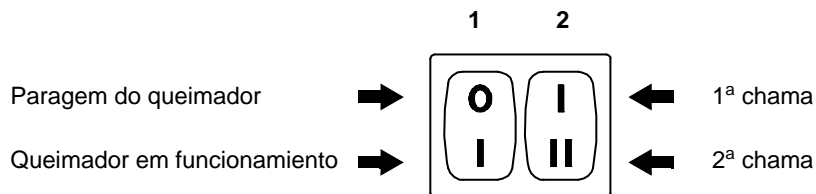
A chegada de gás ao queimador pode observar-se no manómetro do tubo em "U" (C).

Uma vez efectuado o acendimento, proceder-se-á à regulação completa do queimador.

(E)

D469





(A)

D469

REGULAÇÃO DO QUEIMADOR

Para conseguir uma óptima regulação do queimador, é necessário fazer uma análise dos gases de combustão na base da chaminé.

Terá que se regular consecutivamente:

- 1 - Potência de acendimento
- 2 - Potência do queimador na 2ª chama
- 3 - Potência do queimador na 1ª chama
- 4 - Potência intermédia
- 5 - Pressostato ar
- 6 - Pressostato gás de mínima

1 - POTÊNCIA DE ACENDIMENTO

Conforme a norma EN 676.

Queimadores com potência MÁX até 120 kW

O acendimento pode ser feito à máxima potência de funcionamento. Exemplo:

- potência máxima de funcionamento : 120 kW
- potência máxima de acendimento : 120 kW

Queimadores com potência MÁX superior a 120 kW

O acendimento deve ser feito a uma potência reduzida em relação à potência máxima de funcionamento.

Se a potência de acendimento não ultrapassa os 120 kW, não é necessário fazer cálculo algum. Pelo contrário, se a potência supera os 120 kW, a norma estabelece que o seu valor seja definido em função do tempo de segurança "ts" da caixa de controlo:

- para "ts" = 2s. A potência de acendimento deve ser igual ou inferior a 1/2 da potência máxima de funcionamento;
- para "ts" = 3s. A potência de acendimento deve ser igual ou inferior a 1/3 da potência máxima de funcionamento.

Exemplo

Potência MÁX de funcionamento 600 kW.

A potência de acendimento deve ser igual ou inferior a:

- 300 kW com ts = 2 s
- 200 kW com ts = 3 s

Para medir a potência de acendimento:

- Desligar a ficha-tomada 8)(A)p.3 do cabo da sonda de ionização (o queimador acende-se e bloqueia-se passado o tempo de segurança).
- Efectuar 10 acendimentos com bloqueios consecutivos.
- Ler no contador o gás consumido.
Esta quantidade deve ser igual ou inferior à que nos dá a fórmula:

Nm³/h (caudal máx. queimador)

360

Exemplo: com gás natural G 20 (10 kWh/Nm³):

Potência máxima de funcionamento: 600 kW

corresponde a um consumo de 60 Nm³/h.

Depois de 10 acendimentos com bloqueio, o caudal de gás medido no contador deve ser igual ou inferior a:

60 : 360 = 0,166 Nm³.

2 - POTÊNCIA NA 2ª CHAMA

A potência na 2ª chama é escolhida dentro do campo de trabalho indicado na pág. 4.

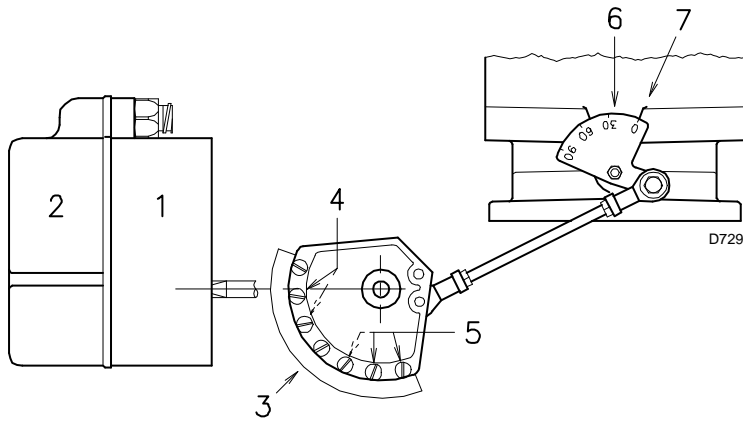
Na descrição anterior, o queimador estava em funcionamento na 1ª chama. Situar agora o interruptor 2)(A) na posição "2ª chama": o servomotor abrirá o registo de ar e ao mesmo tempo a válvula borboleta do gás a 90°.

Regulação do gás

Medir o caudal de gás no contador.

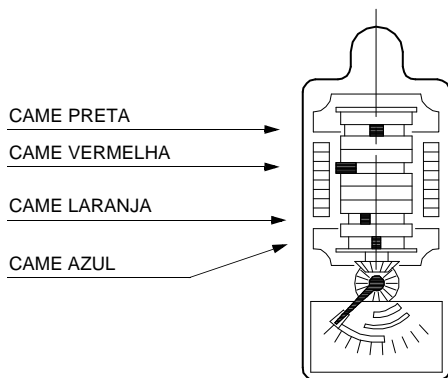
A título de orientação, pode determinar-se através das tabelas da pág. 6, observando a pressão do gás no manómetro do tubo em "U" (ver Fig. (C)p.12 e seguindo as indicações da pág.5.

- Se for necessário reduzi-lo, diminuir a pressão do gás à saída e, se já está no mínimo, fechar um pouco a electroválvula de regulação VR.
- Se for necessário aumentá-la, aumentar a pressão de gás à saída do regulador.



- 1 Servomotor
- 2 Tampa cames
- 3 Came de perfil variável
- 4 Parafusos regulação perfil inicial
- 5 Parafusos regulação perfil final
- 6 Sector graduado válvula borboleta de gás
- 7 Índice do sector graduado 6

(A)



D728

(B)

Regulação do ar

Variar progressivamente o perfil final da came 3)(A) actuando sobre os parafusos 5).

- Para aumentar o caudal de ar, roscar os parafusos.
- Para diminuir o caudal de ar, desenroscar os parafusos.

3 - POTÊNCIA NA 1ª CHAMA

A potência na 1ª chama é escolhida dentro do campo de trabalho indicado na pág. 4.

Pressionar o interruptor 2)(A)p.13 para posição "1ª chama": o servomotor fechará o registo de ar, e ao mesmo tempo, o da válvula borboleta do gás situando-lo a 15°, que é a regulação efectuada em fábrica.

Regulação do gás

Medir o caudal de gás no contador.

- Se deseja diminuí-lo, reduzir um pouco o ângulo da came laranja (B) através de curtos e sucessivos deslocamentos, isto é, passando do ângulo de 15° a 13° - 11°....
- Se deseja aumentá-lo, passar à 2ª chama pressionando o interruptor 2)(A)p. 13 para a posição "2ª chama" e aumentar um pouco o ângulo da came laranja através de curtos e sucessivos deslocamentos, isto é, passando do ângulo de 15° a 17° - 19°....

Seguidamente retornar à 1ª chama e medir o caudal de gás.

NOTA

O servomotor segue a regulação da came laranja só quando se reduz o ângulo da mesma. Se se tem que aumentar o ângulo, é necessário passar à 2ª chama, aumentar o ângulo e retornar à 1ª chama para verificar o efeito da regulação.

Regulação do ar

Variar progressivamente o perfil inicial da came 3)(A), actuando sobre os parafusos 4). Se possível, não rodar o primeiro parafuso, dado que é o utilizado para fechar o registo do ar completamente.

4 - POTÊNCIAS INTERMÉDIAS

Regulação do gás

Não é necessária regulação alguma.

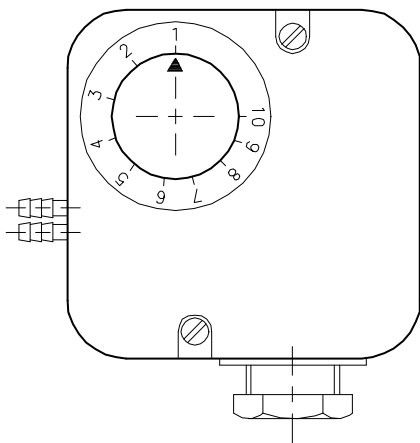
Regulação do ar

Para e o queimador actuando sobre o interruptor 1)(A)p. 13 e actuar sobre os parafusos intermédios da guia de maneira que a pendente seja progressiva.

Não actuar os parafusos das extremidades que já foram utilizados para regular o registo do ar na 1ª e 2ª chamas.

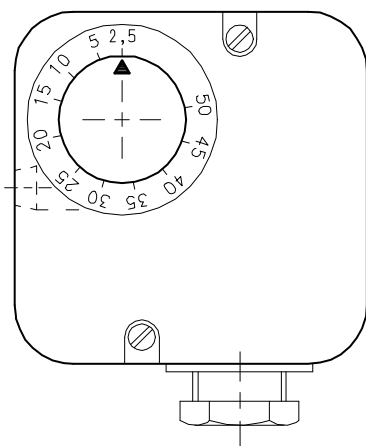
NOTA

Uma vez terminada a regulação das potências 2ª chama - 1ª chama - INTERMÉDIAS, voltar a verificar o acendimento: deve produzir-se um ruído parecido ao do funcionamento sucessivo. Se forem observadas pulsações, reduzir o caudal do acendimento.



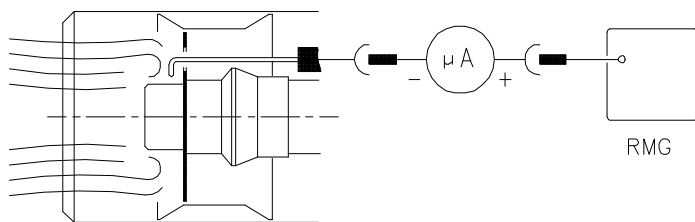
(A)

D521



(B)

D896



(C)

D3023

5 - PRESSOSTATO DE AR (A)

Efectuar a regulação do pressostato de ar, depois de ter feito todas as restantes regulações do queimador, com o pressostato de ar ajustado ao início da escala (A).

Com o queimador a funcionar na 1ª chama, aumentar a pressão de regulação rodando lentamente (no sentido horário) o botão fornecido para tal efeito, até que o queimador se bloqueie. Seguidamente rodar o referido botão no sentido contrário ao dos ponteiros do relógio, cerca de 20% do valor regulado e verificar de seguida o correcto funcionamento do queimador.

Se o queimador se bloqueia de novo, rodar o botão um pouco mais, no sentido contrário ao dos ponteiros do relógio.

Atenção: normalmente, o pressostato de ar deve impedir que o CO nos fumos seja superior a 1% (10.000 p.p.m.). Para o comprovar, introduzir um analisador de CO na chaminé, fechar lentamente a boca de aspiração do ventilador (p.ex. com um cartão) e verificar que o queimador se bloqueia antes que o CO nos fumos ultrapasse 1%.

O pressostato de ar instalado pode funcionar de maneira "diferencial", se for ligado a dois tubos. Se existe uma grande depressão na câmara de combustão na fase varrimento pode ocorrer que o pressostato não feche o seu contacto, neste caso, colocar um tubinho entre o pressostato e a boca de aspiração do ventilador.

Deste modo o pressostato funcionará como pressostato diferencial.

Atenção: o uso do pressostato de ar com funcionamento diferencial só é permitido em aplicações industriais e onde as normas permitam que o pressostato de ar controle só o funcionamento do ventilador, sem limite de referência no que respeita ao CO.

6 - PRESSOSTATO GÁS DE MÍNIMA (B)

Efectuar a regulação do pressostato de gás de mínima depois de ter feito todas as regulações do queimador, com o pressostato ajustado ao início da escala (B).

Com o queimador funcionando à potência MÁX, aumentar a pressão de regulação rodando lentamente (no sentido horário) o botão fornecido para tal efeito, até que o queimador pare.

Seguidamente, rodar o referido botão (no sentido contrário ao dos ponteiros do relógio) 2 mbar e repetir o arranque do queimador para verificar a regularidade de funcionamento.

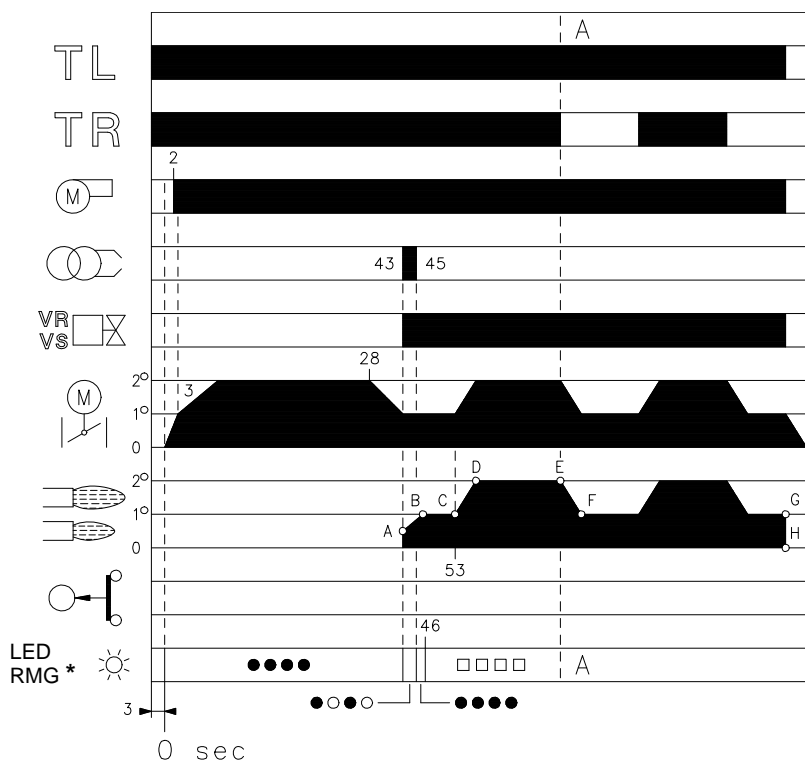
Se o queimador parar de novo, rodar o botão (no sentido contrário ao dos ponteiros do relógio) 1 mbar.

CONTROLO DE PRESENÇA DE CHAMA (C)

O queimador está dotado de um sistema de ionização para controlar a presença da chama. A corrente mínima para o funcionamento da caixa de controlo é de 5 μ A. O queimador gera uma corrente nitidamente superior, não precisando normalmente de nenhum controlo. No entanto, se desejar medir a corrente de ionização, é necessário desligar a ficha-tomada 8)(A)p.3 do cabo da sonda de ionização e ligar um microamperímetro de corrente contínua de escala baixa de 100 μ A.

Atenção à polaridade

ACENDIMENTO NORMAL (n° = segundos a partir do instante 0)

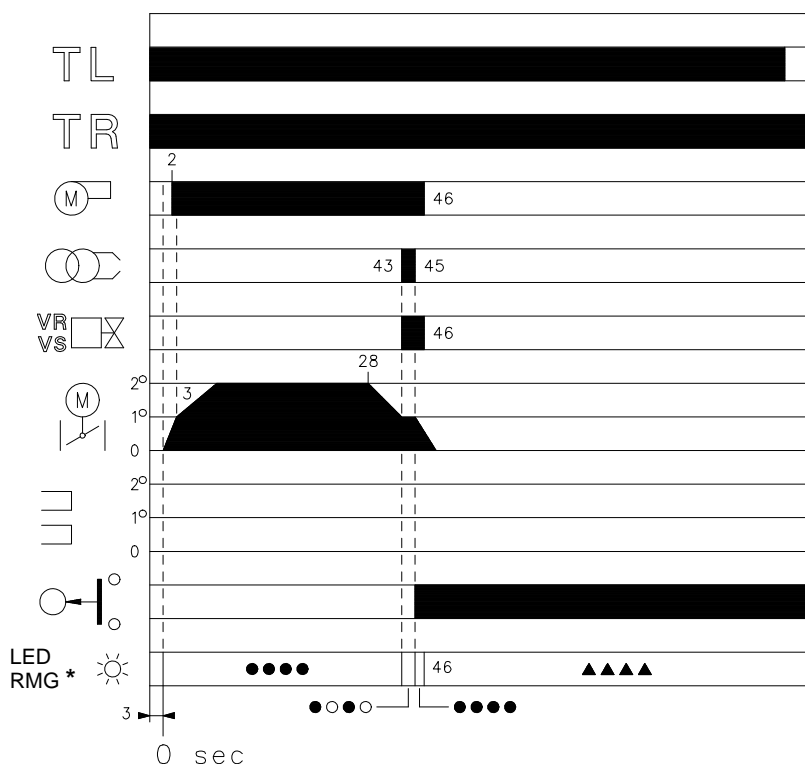


* ○ Apagado ● Amarelo □ Verde ▲ Vermelho
Para ulteriores informações ver pág. 18.

(A)

D3051

FALTA DE ACENDIMENTO



* ○ Apagado ● Amarelo ▲ Vermelho
Para ulteriores informações ver pág. 18.

(B)

D3052

FUNCIONAMENTO DO QUEIMADOR

ARRANQUE DO QUEIMADOR (A)

Fecha-se o termostato TL.
Entra em funcionamento o servomotor: roda em abertura até atingir o ângulo escolhido com a came laranja. Passados cerca de 3s:

- 0 s : Inicia o programa da caixa de controle.
- 2 s : Entra em funcionamento o motor ventilador.
- 3 s : Entra em funcionamento o servomotor: roda em abertura até atingir a actuação de came vermelha. O registo do ar coloca-se na posição de potência 2ª chama. Fase de pré-varrimento, com o caudal de ar da potência da 2ª chama. Duração: 25 segundos.
- 28 s : Entra em funcionamento o servomotor: roda em fechamento até atingir o ângulo escolhido pela came laranja.
- 43 s : O registo do ar e a válvula de borboleta do gás estão na posição de potência de 1ª chama. Gera-se faísca no eléctrodo de acendimento. Abrem-se as electroválvulas de segurança VR e de regulação VS (abertura rápida). Acende-se a chama, com pouca potência, ponto A. Continua um progressivo aumento da potência, abertura lenta da electroválvula VR, até chegar à potência da 1ª chama, ponto B.
- 45 s : A faísca apaga-se.
- 53 s : Se o termostato TR está fechado ou substituído por um shunt, o servomotor roda até atingir a actuação da came vermelha colocando o registo de ar e o de borboleta de gás na posição de 2ª chama, intervalo C-D. Finaliza o ciclo de arranque da caixa de controle.

FUNCIONAMENTO A REGIME (A)

Caldeira com termostato TR

Finalizado o ciclo de arranque, o comando do servomotor passa ao termostato TR, que controla a pressão ou a temperatura da caldeira, ponto D. (A caixa de controlo continua a controlar a presença de chama e a correcta posição do pressostato de ar).

- Quando a temperatura ou a pressão aumenta até à abertura do termostato TR, o servomotor fecha o registo de ar e de borboleta do gás passando o queimador da 2ª à 1ª chama, intervalo E-F).
- Quando a temperatura ou a pressão diminui até ao fecho do termostato TR, o servomotor abre o registo de ar e o de borboleta do gás passando o queimador da 1ª à 2ª chama. E assim sucessivamente.
- A paragem do queimador faz-se quando a procura de calor é inferior à gerada pelo queimador na 1ª chama (intervalo G-H). O termostato TL abre-se, o servomotor regressa ao ângulo 0°, limitado pelo contacto da came azul. O registo fecha-se completamente para reduzir as perdas de calor ao mínimo.

Caldeira sem termostato TR, substituído por um shunt

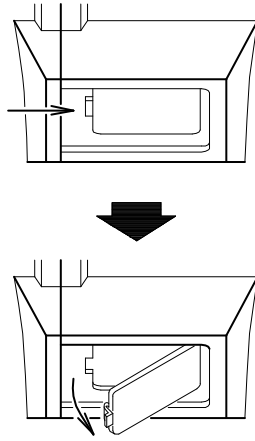
A entrada em funcionamento do queimador é da forma indicada anteriormente. Sucessivamente se a temperatura ou a pressão aumenta até à abertura do termostato TL, o queimador apaga-se (intervalo A-A do gráfico).

FALTA DE ACENDIMENTO (B)

Se o queimador não se acende, produz-se o bloqueio do mesmo ao fim de 3 segundos da abertura da válvula de gás e aos 49 segundos do fecho do termostato TL. Acende-se o led vermelho do equipamento.

EXTINÇÃO DA CHAMA DURANTE O FUNCIONAMENTO

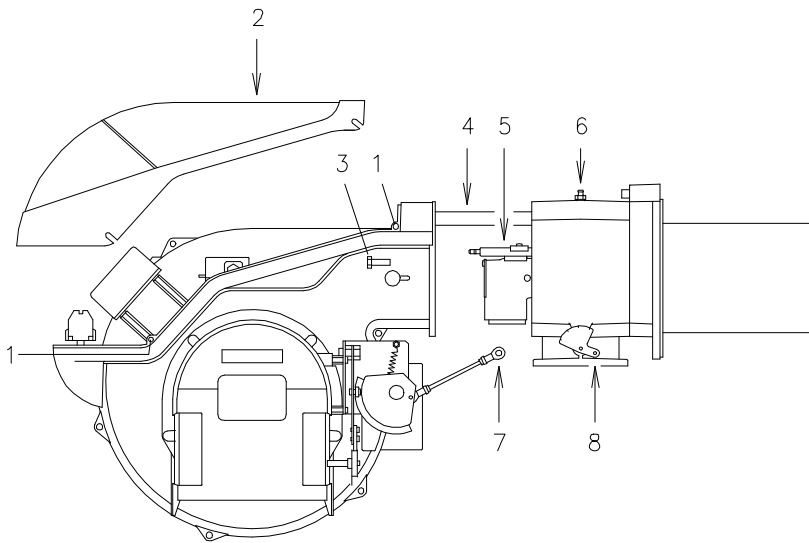
Se a chama se apagar durante o funcionamento, o queimador bloqueia-se em 1 segundo.



(A)

D709

ABERTURA DO QUEIMADOR



(B)

D3034

CONTROLO FINAL (com o queimador em funcionamento)

- Desligar um fio do pressostato gás de mínima;
- Abrir o termostato TL;
- Abrir o termostato TS;

O queimador deve parar

- Desligar o fio comum P do pressostato de ar;
- Desligar o fio da sonda de ionização;

O queimador deve bloquear-se

- Comprovar que os bloqueios mecânicos dos dispositivos de regulação estão bem apertados.

MANUTENÇÃO**Combustão**

Fazer a análise dos gases de combustão que saem da caldeira. As diferenças significativas em relação à última análise indicarão os pontos onde deverão centrar-se as operações de manutenção.

Fugas de gás

Comprovar que não existem fugas de gás na conduta contador-queimador.

Filtro de gás

Substituir o cartucho filtrante quando estiver sujo.

Visor chama

Limpar o vidro do visor chama (A).

Cabeçal de combustão

Abrir o queimador e verificar que todas as partes do cabeçal de combustão estão intactas e não deformadas pelas altas temperaturas, não têm sujidade proveniente do ambiente e que estão correctamente posicionadas. No caso de duvida, desmontar a curva 5)(B).

Queimador

Verificar que não há um desgaste anormal ou parafusos frouxos nos mecanismos que controlam o registo do ar e a válvula de borboleta do gás. De igual modo, os parafusos que fixam os cabos eléctricos na régua do queimador devem estar bem apertados.

Limpar exteriormente o queimador, em particular as rótulas e a came 3)(A)p.14.

Combustão

Regular o queimador se os valores da combustão obtidos no início da intervenção não cumprem as normas em vigor ou não correspondem a uma boa combustão.

Anotar numa ficha de controlo os novos valores da combustão; serão úteis para controlos sucessivos.

PARA ABRIR O QUEIMADOR (B):

- Cortar a corrente eléctrica.
- Extrair o parafuso 1) e extrair a cobertura 2).
- Soltar a rótula 7) do sector graduado 8).
- Nos modelos com tubo de chama prolongado (385-415 mm), montar os prolongadores nas guias 4).
- Tirar o parafuso 3) e deslocar o queimador pelas guias 4) uns 100 mm.
- Desligar os cabos da sonda e do eléctrodo e deslocar todo o queimador.

Neste ponto é possível extrair o distribuidor de gás 5), depois de se ter desenroscado o parafuso 6).

PARA FECHAR O QUEIMADOR (B):

- Tirar o passador 9) e empurrar o queimador até que esteja a uns 100 mm do suporte do queimador.
- Voltar a ligar os cabos e deslocar o queimador até ao fim.
- Voltar a colocar o parafuso 3) e, com cuidado, puxar os dois cabos da sonda e do eléctrodo para fora, até que fiquem sujeitos a uma ligeira tensão.
- Voltar a enganchar a rótula 7) no sector graduado 8).
- Desmontar os dois prolongadores das guias 4).

DIAGNÓSTICO PROGRAMA DE ARRANQUE

As indicações que aparecem durante o programa de arranque, estão explicadas na seguinte tabela:

TABELA CÓDIGO COR	
Sequências	Código cor
Pré-varrimento	● ● ● ● ● ● ● ● ● ●
Fase de ligação	● ○ ● ○ ● ○ ● ○ ●
Funcionamento com chama ok	□ □ □ □ □ □ □ □ □ □
Funcionamento com sinal de chama fraca	□ ○ □ ○ □ ○ □ ○ □
Alimentação eléctrica inferior a ~ 170V	● ▲ ● ▲ ● ▲ ● ▲ ●
Bloqueio	▲ ▲ ▲ ▲ ▲ ▲ ▲ ▲ ▲
Luz estranha	▲ □ ▲ □ ▲ □ ▲ □ ▲
Legenda:	○ Apagado ● Amarelo □ Verde ▲ Vermelho

DESBLOQUEIO DO EQUIPAMENTO E UTILIZAÇÃO DO DIAGNÓSTICO

O equipamento fornecido de série possui uma sua função de diagnóstico, por meio da qual é possível localizar facilmente as eventuais causas de mau funcionamento (sinalização: **LED VERMELHO**).

Para utilizar tal função, é necessário aguardar pelo menos 10 segundos após a colocação da segurança (bloqueio) e, em seguida, pressionar o botão de desbloqueio.

O equipamento cria uma sequência de impulsos (à distância de 1 segundo) que se repete a intervalos constantes de 3 segundos.

Visualizado o número de sinais intermitentes e identificada a provável causa, é necessário reiniciar o sistema, mantendo o botão pressionado por um período de tempo compreendido entre 1 e 3 segundos.

LED VERMELHO aceso aguardar pelo menos 10s	Bloqueio	Premir desbloqueio por > 3s	Impulsos	Intervalo 3s	Impulsos
			● ● ● ● ● ● ● ● ● ●		● ● ● ● ● ● ● ● ● ●

A seguir, estão ilustrados os métodos possíveis para efectuar o desbloqueio do equipamento e para a utilização do diagnóstico.

DESBLOQUEIO DO EQUIPAMENTO

Para efectuar o desbloqueio do equipamento, agir como segue:

- Premir o botão por um período de tempo compreendido entre 1 e 3 segundos.
O queimador arranca após uma pausa de 2 segundos depois de se ter largado o botão.
No caso em que o queimador não arranque é necessário verificar o fechamento do termostato limite.

DIAGNÓSTICO VISUAL

Indica o tipo de defeito do queimador que determina o bloqueio do mesmo.

Para visualizar o diagnóstico, agir como segue:

- Com o led vermelho fixo (bloqueio do queimador), manter premido o botão por mais de 3 segundos.
O fim da operação será indicado pelo acender de um led amarelo intermitente.
Soltar o botão após o piscar do led. O número de sinais intermitentes evidencia a causa do mau funcionamento de acordo com a codificação indicada na tabela de pag. 19.

DIAGNÓSTICO SOFTWARE

Fornecer a análise da vida vida do queimador por meio da conexão óptica ao PC, indicado as relativas horas de funcionamento, número e tipos de bloqueios, número de série do equipamento etc...

Para visualizar o diagnóstico, agir como segue:

- Com o led vermelho fixo (bloqueio do queimador), manter premido o botão por mais de 3 segundos.
O fim da operação será indicado pelo acender de um led amarelo intermitente.
Soltar o botão por 1 segundo e em seguida, voltar a premi-lo por mais de 3 segundos até à visualização de um ulterior piscar amarelo.
Quando se solta o botão, o led vermelho irá piscar em modo intermitente com frequência elevada: só nessa altura será possível inserir a conexão óptica.

Uma vez executadas as operações, é necessário restabelecer o estado inicial do equipamento por meio do procedimento de desbloqueio acima descrito.

PRESSÃO NO BOTÃO	ESTADO DO EQUIPAMENTO
De 1 a 3 segundos	Desbloqueio do equipamento sem visualização do diagnóstico visual.
Mais de 3 segundos	Diagnóstico visual da condição de bloqueio: (piscar do led com intermitência de 1 segundo).
Mais de 3 segundos a partir da condição de diagnóstico visual	Diagnóstico software com auxílio de interface óptica e PC (possibilidade de visualização das horas de funcionamento, das anomalias, etc..)

A sequência dos impulsos emitidos pelo equipamento identifica os possíveis tipos de avaria que são ilustrados na tabela de pag. 19.

SINAL	ANOMALIA	CAUSA PROVÁVEL	SOLUÇÃO
2 sinais intermitentes ● ●	Superado o pré-arranque e o tempo de segurança, o queimador bloqueia-se sem aparecer a chama	1 - A electroválvula VR deixa passar pouco gás 2 - A electroválvula VR ou VS não se abre 3 - Pressão de gás demasiado baixa 4 - Electrodo de acendimento mal regulado 5 - Electrodo à massa por rotura do isolamento 6 - Cabo de alta tensão defeituoso 7 - Cabo de alta tensão deformado pela alta temperatura 8 - Transformador de acendimento defeituoso 9 - Ligação eléctrica das válvulas ou do transformador de acendimento incorrecta 10 - Caixa de controlo defeituosa 11 - Uma válvula antes da linha de gás, fechada 12 - Ar nas tubagens 13 - Electrov. VS e VR não ligadas ou bobina interrompida	Aumentá-lo Substituir bobina ou painel rectificador Aumentá-la no regulador Regulá-lo; ver Fig. (C)p.6 Substituí-lo Substituí-lo Substituí-lo e protegê-lo Substituí-lo Refazer as ligações Substituí-la Abri-la Purgá-lo Verificar ligação ou substituir bobina
3 sinais intermitentes ● ● ●	O queimador não arranca e acontece o bloqueio	14 - Pressostato de ar em posição de funcionamento	Regulá-lo ou substituí-lo
	O queimador arranca mas bloqueia-se de imediato	O pressostato de ar não comuta por pressão de ar insuficiente: 15 - Pressostato de ar mal regulado 16 - Tubo tomada pressão ar do pressostato obstruído 17 - Cabeçal mal regulado 18 - Depressão excessiva na câmara de combustão	Regulá-lo ou substituí-lo Limpá-lo Regulá-lo Ligar pressostato de ar à aspiração
	Bloqueio durante o pré-arranque	19 - Interruptor remoto comando motor defeituoso 20 - Motor eléctrico defeituoso 21 - Bloqueio motor	Substituí-lo Substituí-lo Desbloquear o relé térmico ao retorno das 3 fases
4 sinais intermitentes ● ● ● ●	O queimador arranca mas bloqueia-se de imediato	22 - Simulação de chama	Substituir a caixa de controlo
	Bloqueio ao parar o queimador	23 - Há chama no cabeçal de combustão ou simulação de chama	Eliminar a chama ou substituir a caixa de controlo
7 sinais intermitentes ● ● ● ● ● ● ●	O queimador bloqueia-se ao aparecer a chama	24 - A electroválvula VR deixa passar pouco gás 25 - Sonda de ionização mal regulada 26 - Ionização insuficiente (inferior a 5 µA) 27 - Sonda à massa 28 - Terra defeituosa 29 - inversão de ligação fase-neutro 30 - Caixa de controlo defeituosa	Aumentá-lo Regulá-la; ver Fig. (C)p.6 Verificar a posição da sonda Separá-la ou substituir o cabo Rever tomada de terra Corrigir Substituí-la
	Bloqueio do queimador ao passar da 1ª à 2ª chama ou da 2ª à 1ª chama	31 - Demasiado ar ou pouco gás	Regular o ar e o gás
	Em funcionamento, o queimador bloqueia-se	32 - Sonda ou cabo de ionização à massa 33 - Pressostato de ar avariado	Substituir a(s) peça(s) deteriorada(s) Substituí-lo
10 sinais intermitentes ● ● ● ● ● ● ● ● ● ●	O queimador não arranca e acontece o bloqueio	34 - Ligações eléctricas incorrectas	Comprová-lo
	O queimador bloqueia-se	35 - Caixa de controlo defeituosa 36 - Presença de distúrbios electromagnéticos 37 - Presença de distúrbios electromagnéticos sobre as linhas dos termostatos	Substituí-la Utilizar o kit protecção contra as rádio-interferências Filtrá-los ou eliminá-los
Nenhum sinal intermitente	O queimador não arranca	38 - Falta corrente eléctrica 39 - Um termostato de regulação ou de segurança aberto 40 - Fusível de linha de controlo fundido 41 - Caixa de controlo defeituosa 42 - Falta de gás 43 - Pressão de gás na rede insuficiente 44 - O pressostato de gás de mínima não fecha	Fechar interruptores; controlar ligações eléctricas Regulá-lo ou substituí-lo Substituí-lo (2) Substituí-la Abrir válvulas manuais entre o contador e a linha Contacte a COMPANHIA DO GÁS Regulá-lo ou substituí-lo
	O queimador repete o ciclo de arranque sem se bloquear	45 - A pressão de gás na rede está perto do valor que se regulou no pressostato de gás de mínima. A perda repentina de pressão que se produz ao abrir-se a electroválvula provoca a abertura temporária do próprio pressostato, que faz com que a válvula feche rapidamente e o queimador pare. A pressão volta a aumentar, o pressostato fecha e faz com que o ciclo de arranque se repita. E assim sucessivamente.	Reduzir a pressão de actuação do pressostato de mínima Substituir o cartucho do filtro de gás.
	Acendimento com pulsações	46 - Cabeçal mal regulado 47 - Electrodo de acendimento mal regulado 48 - Registo ventilador mal regulado; demasiado ar 49 - Potência de acendimento demasiado elevada	Regulá-lo; ver pág. 7 Regulá-lo; ver Fig. (C)p.6 Regulá-lo Reduzi-la
	O queimador não passa à 2ª chama	50 - Termostato TR não fecha 51 - Caixa de controlo defeituosa 52 - Servomotor defeituoso	Regulá-lo ou substituí-lo Substituí-la Substituí-lo
	O queimador fica com o registo do ventilador aberto	53 - Servomotor defeituoso	Substituí-lo

ACESSÓRIOS (por encomenda):

- **KIT PROTECÇÃO CONTRA AS RÁDIO-INTERFERÊNCIAS**

No caso de instalação do queimador em ambientes especiais sujeitos a rádio-interferências (emissão de sinais superiores a 10 V/m) devido a presença de INVERTER ou em aplicações onde os comprimentos das conexões do termóstato superem os 20 metros, está disponível um kit de protecção como interface entre a aparelhagem e o queimado.

QUEIMADOR	RS 70 - RS 100 - RS 130
Código	3010386

- **KIT CABEÇA COMPRIDA**

QUEIMADOR	RS 70	RS 100	RS 130
Código	3010117	3010118	3010119

- **KIT PARA FUNCIONAMENTO COM GPL:** O kit permite que os queimadores RS 70 - 100 -130 funcionem com GPL.

QUEIMADOR	RS 70		RS 100		RS 130	
Potência kW	242 ÷ 814		349 ÷ 1163		466 ÷ 1512	
Comprimento do tubo de fogo mm	250	385	250	385	280	415
Código	3010097	3010098	3010099	3010100	3010101	3010102

- **KIT PARA REDUÇÃO DAS VIBRAÇÕES**

QUEIMADOR	RS 70		RS 100		RS 130	
Potência kW	192 ÷ 814		232 ÷ 1163		185 ÷ 1461	
Comprimento do tubo de fogo mm	250	385	250	385	280	415
Código	3010201		3010202		3010373	3010374

- **INTERRUPTOR DIFERENCIAL:** código **3010329**

- **LINHA DE COMANDO DE GÁS CONFORME A NORMA EN 676** (completa, com válvulas, regulador de pressão e filtro): ver página 8.

Importante: O instalador é responsável pela eventual incorporação de dispositivos de segurança não previstos neste manual.

RIELLO

RIELLO S.p.A.
I-37045 Legnago (VR)
Tel.: +39.0442.630111
[http:// www.riello.it](http://www.riello.it)
[http:// www.rielloburners.com](http://www.rielloburners.com)