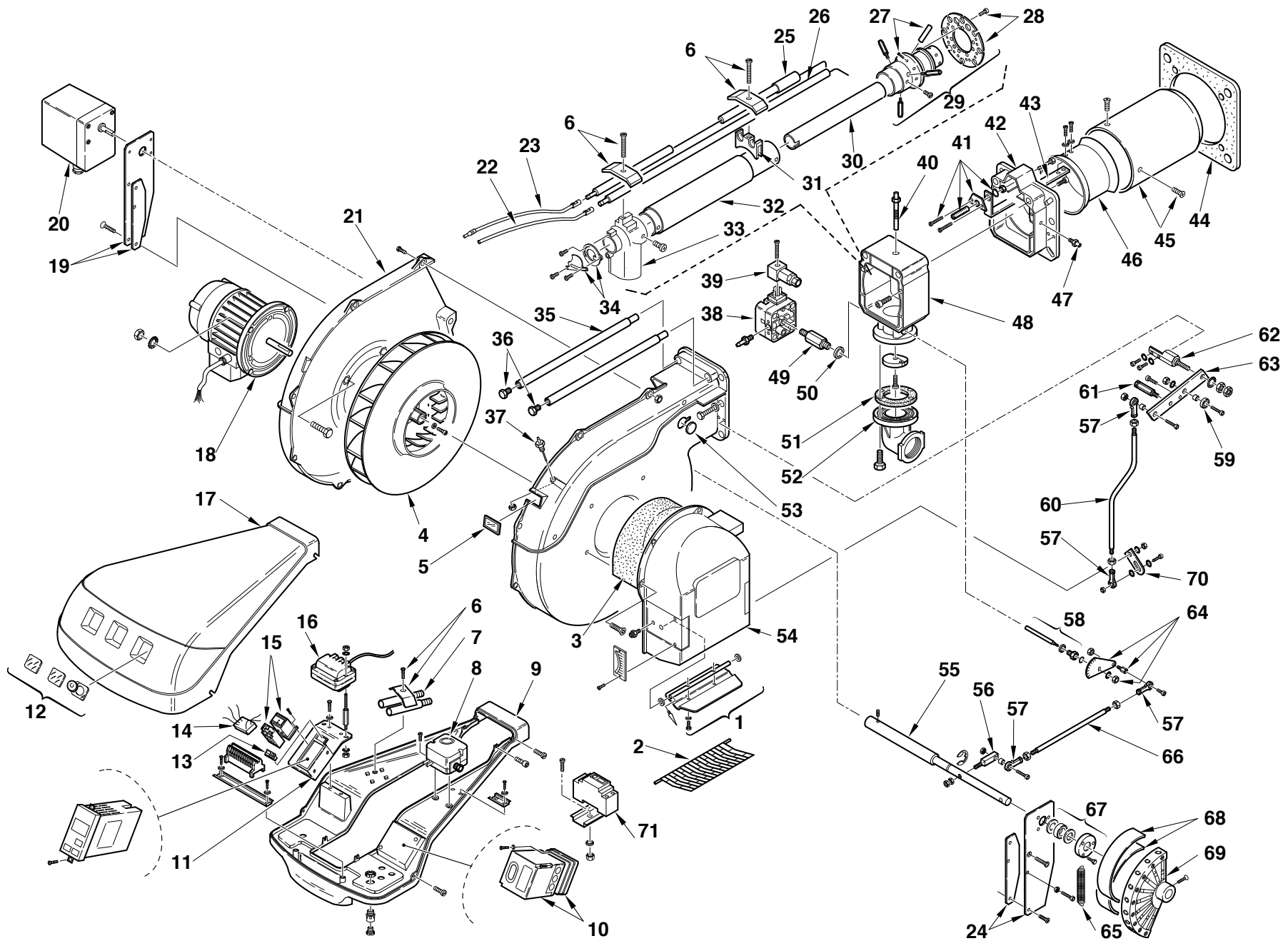


- I** **Bruciatori di gas ad aria soffiata**
- GB** **Forced draught gas burners**
- F** **Brûleurs gaz à air soufflé**
- D** **Gas-Gebläsebrenner**

Funzionamento bistadio progressivo o modulante
Progressive two-stage or modulating operation
Fonctionnement à 2 allures progressives ou modulant
Zweistufig gleitender oder modulierender Betrieb

| CODICE - CODE | MODELLO - MODEL MODELE - MODELL | TIPO - TYPE TYP |
|---------------|------------------------------------|--------------------|
| 3787040 | RS 70/M | 828 T40 |
| 3787041 | RS 70/M | 828 T40 |
| 3787240 | RS 100/M | 829 T40 |
| 3787241 | RS 100/M | 829 T40 |
| 3787440 | RS 130/M | 830 T40 |
| 3787441 | RS 130/M | 830 T40 |



| N. | COD. | 828 T40 | | 829 T40 | | 830 T40 | | DESCRIZIONE | DESCRIPTION | DESCRIPTION | BESCHREIBUNG | MATRICOLA BRUCIATORE BURNER SERIAL NUMBER MATRICULE BRULEUR BRENNER KENN-NUMMER |
|----|---------|---------|-----------|---------|-----------|---------|-----------|----------------------------|---------------------|--------------------------|--------------------------|--|
| | | 3787040 | 3787041 * | 3787240 | 3787241 * | 3787440 | 3787441 * | | | | | |
| 1 | 3003948 | • | • | • | • | • | • | GRUPPO SERRANDA | AIR DAMPER ASSEMBLY | GROUPE VOLET AIR | LUFTKLAPPE | |
| 2 | 3003949 | • | • | • | • | • | • | PROTEZIONE | GRID | PROTECTION | SCHUTZGITTER | |
| 3 | 3003952 | • | • | • | • | • | • | FONOASSORBENTE | SOUND DAMPING | INSONORISANT | GERÄUSCHDÄMMUNG | |
| 4 | 3003955 | • | • | | | | | GIRANTE | FAN | TURBINE | GEBLÄSERAD | |
| 4 | 3003964 | | | • | • | | | GIRANTE | FAN | TURBINE | GEBLÄSERAD | |
| 4 | 3003965 | | | | | • | • | GIRANTE | FAN | TURBINE | GEBLÄSERAD | |
| 5 | 3003763 | • | • | • | • | • | • | VISORE | INSPECTION WINDOW | WISEUR | SICHTFENSTER | |
| 6 | 3003409 | • | • | • | • | • | • | CAVALLOTTO | U BOLT | CAVALIER | BÜGELBOLZEN | |
| 7 | 3003956 | • | • | • | • | • | • | PROLUNGA PERNO | BAR EXTENSION | RALLONGE DE GLISSIERE | VERLÄNGERUNG | |
| 8 | 3007444 | • | • | • | • | • | • | PRESSOSTATO ARIA | AIR PRESSURE SWITCH | PRESSOSTAT AIR | LUFTDRUCKWÄCHTER | |
| 9 | 3012008 | • | • | • | • | • | • | MENSOLA | BASE PLATE | PLAQUE DE SUPPORT | GRUNDPLATTE | ≤ 02188xxxxxx |
| 9 | 3014124 | • | • | • | • | • | • | MENSOLA | BASE PLATE | PLAQUE DE SUPPORT | GRUNDPLATTE | ≥ 02198xxxxxx |
| 10 | 3006090 | • | • | • | • | • | • | APPARECCHIATURA | CONTROL BOX | BOITE DE CONTROLE | STEUERGERÄT | |
| 11 | 3012748 | • | • | • | • | • | • | SUPPORTO | SUPPORT | SUPPORT | HALTER | |
| 12 | 3003962 | • | • | • | • | • | • | VETRINO | VIEWING PORT | REGARD | SCHAUGLAS | |
| 13 | 3012080 | • | • | • | • | • | • | INTERRUTTORE | SWITCH | INTERRUPTEUR | SCHALTER | |
| 14 | 3012155 | • | • | • | • | • | • | FILTRO ANTIDISTURBO | DEGLITCHER | FILTRE | ENTSTÖRER | |
| 15 | 3003959 | • | • | | | | | AVVIATORE | STARTER | DEMARREUR | ANLASSER | |
| 15 | 3003960 | | | • | • | | | AVVIATORE | STARTER | DEMARREUR | ANLASSER | |
| 15 | 3003961 | | | | | • | • | AVVIATORE | STARTER | DEMARREUR | ANLASSER | |
| 16 | 3003847 | • | • | • | • | • | • | TRASFORMATORE | TRANSFORMER | TRANSFORMATEUR | ZÜNDTRANSFORMATOR | |
| 17 | 3013119 | • | • | • | • | • | • | COFANO | COVER | COFFRET | VERKLEIDUNG | |
| 18 | 3003966 | • | • | | | | | MOTORE | MOTOR | MOTEUR | MOTOR | |
| 18 | 3003967 | | | • | • | | | MOTORE | MOTOR | MOTEUR | MOTOR | |
| 18 | 3003968 | | | | | • | • | MOTORE | MOTOR | MOTEUR | MOTOR | |
| 19 | 3012344 | • | • | • | • | • | • | PIASTRA | ANCHOR PLATE | PLATINE DE BLOCAGE | ARRETIERPLATTE | |
| 20 | 3012345 | • | • | • | • | • | • | SERVOMOTORE | SERVOMOTOR | SERVOMOTEUR | STELLMOTOR | |
| 21 | 3012012 | • | • | • | • | • | • | GUSCIO | HALF-SHELL | COUVERCLE | HAUBE | |
| 22 | 3012043 | • | • | • | • | • | • | COLLEGAMENTO PER SONDA | PROBE LEAD | CONNEXION POUR SONDE | VERBINDUNG FÜR SONDE | |
| 23 | 3003795 | • | • | • | • | • | • | COLLEGAMENTO PER ELETTRODO | H.T. LEAD | CONNEXION POUR ELECTRODE | VERBINDUNG FÜR ELEKTRODE | |
| 24 | 3012346 | • | • | • | • | • | • | PIASTRA | ANCHOR PLATE | PLAQUE | GRUNDPLATTE | |
| 25 | 3012015 | • | | • | | | | ELETTRODO | ELECTRODE | ELECTRODE PORCELAINE | ELEKTRODE | |
| 25 | 3012016 | | • | | • | | | ELETTRODO | ELECTRODE | ELECTRODE PORCELAINE | ELEKTRODE | |
| 25 | 3012017 | | | | | • | | ELETTRODO | ELECTRODE | ELECTRODE PORCELAINE | ELEKTRODE | |
| 25 | 3012018 | | | | | • | | ELETTRODO | ELECTRODE | ELECTRODE PORCELAINE | ELEKTRODE | |
| 26 | 3012175 | • | | • | | | | SONDA | PROBE | SONDE | FÜHLER | |
| 26 | 3012178 | | • | | • | | | SONDA | PROBE | SONDE | FÜHLER | |
| 26 | 3012176 | | | | | • | | SONDA | PROBE | SONDE | FÜHLER | |
| 26 | 3012179 | | | | | • | | SONDA | PROBE | SONDE | FÜHLER | |
| 27 | 3012023 | • | • | | | | | TUBETTO | TUBE | TUYAU | RÖHRCHEN | |
| 27 | 3012024 | | | • | • | | | TUBETTO | TUBE | TUYAU | RÖHRCHEN | |
| 27 | 3012025 | | | | | • | • | TUBETTO | TUBE | TUYAU | RÖHRCHEN | |
| 28 | 3012026 | • | • | | | | | DISCO | DISC | DISQUE | SCHEIBE | |
| 28 | 3012027 | | | • | • | • | • | DISCO | DISC | DISQUE | SCHEIBE | |

| N. | COD. | 828 T40 | | 829 T40 | | 830 T40 | | DESCRIZIONE | DESCRIPTION | DESCRIPTION | BESCHREIBUNG | MATRICOLA BRUCIATORE BURNER SERIAL NUMBER MATRICULE BRULEUR BRENNER KENN-NUMMER |
|----|---------|---------|-----------|---------|-----------|---------|-----------|-------------------|---------------------|-------------------|------------------|--|
| | | 3787040 | 3787041 * | 3787240 | 3787241 * | 3787440 | 3787441 * | | | | | |
| 29 | 3012028 | • | • | | | | | DISTRIBUTORE | GAS HEAD | DISTRIBUTEUR | GASVERTEILER | |
| 29 | 3012029 | | | • | • | | | DISTRIBUTORE | GAS HEAD | DISTRIBUTEUR | GASVERTEILER | |
| 29 | 3012030 | | | | | • | • | DISTRIBUTORE | GAS HEAD | DISTRIBUTEUR | GASVERTEILER | |
| 30 | 3012031 | • | | | | | | TUBO INTERNO | INTERIOR TUBE | TUYAU INTERIEUR | INNERER ROHR | |
| 30 | 3012032 | | • | | | | | TUBO INTERNO | INTERIOR TUBE | TUYAU INTERIEUR | INNERER ROHR | |
| 30 | 3012033 | | | • | | | | TUBO INTERNO | INTERIOR TUBE | TUYAU INTERIEUR | INNERER ROHR | |
| 30 | 3012034 | | | | • | | | TUBO INTERNO | INTERIOR TUBE | TUYAU INTERIEUR | INNERER ROHR | |
| 30 | 3012035 | | | | | • | | TUBO INTERNO | INTERIOR TUBE | TUYAU INTERIEUR | INNERER ROHR | |
| 30 | 3012036 | | | | | | • | TUBO INTERNO | INTERIOR TUBE | TUYAU INTERIEUR | INNERER ROHR | |
| 31 | 3012193 | | • | | • | | • | SUPPORTO | SUPPORT | SUPPORT | HALTER | |
| 32 | 3012038 | • | | • | | | | TUBO ESTERNO | EXTERIOR TUBE | TUYAU EXTERIEUR | AUSSERER ROHR | |
| 32 | 3012039 | | • | | • | | | TUBO ESTERNO | EXTERIOR TUBE | TUYAU EXTERIEUR | AUSSERER ROHR | |
| 32 | 3012040 | | | | | • | | TUBO ESTERNO | EXTERIOR TUBE | TUYAU EXTERIEUR | AUSSERER ROHR | |
| 32 | 3012041 | | | | | | • | TUBO ESTERNO | EXTERIOR TUBE | TUYAU EXTERIEUR | AUSSERER ROHR | |
| 33 | 3012042 | • | • | • | • | • | • | GOMITO | ELBOW | COUDE | SCHLITTEN | |
| 34 | 3012014 | • | • | • | • | • | • | GHIERA | FERRULE | DISQUE | STELLRING | |
| 35 | 3012013 | • | • | • | • | • | • | PERNO | BAR | GLISSIERE | BOLZEN | |
| 36 | 3003481 | • | • | • | • | • | • | VITE | SCREW | VIS | SCHRAUBE | |
| 37 | 3003891 | • | • | • | • | • | • | RACCORDO | CONNECTOR | MAMELON | NIPPEL | |
| 38 | 3003660 | • | • | • | • | • | • | PRESSOSTATO GAS | GAS PRESSURE SWITCH | PRESSOSTAT GAS | GASDRUCKWÄCHTER | |
| 39 | 3012347 | • | • | • | • | • | • | PRESA | SOCKET | PRISE | STECKBUCHSE | |
| 40 | 3012049 | • | • | • | • | • | • | VITE | SCREW | VIS | SCHRAUBE | |
| 41 | 3003974 | • | • | • | • | • | • | GRUPPO REGOLATORE | CONTROL DEVICE | GROUPE OBTURATION | DRUCKREGULIERUNG | |
| 42 | 3003975 | • | • | • | • | | | FRONTONE | FRONT PIECE | FACADE | VORDERTEIL | |
| 42 | 3003976 | | | | | • | • | FRONTONE | FRONT PIECE | FACADE | VORDERTEIL | |
| 43 | 3012051 | • | | | | | | SQUADRETTA | SQUARE | EQUERRE-SUPPORT | HALTER | |
| 43 | 3012052 | | • | | | | | SQUADRETTA | SQUARE | EQUERRE-SUPPORT | HALTER | |
| 43 | 3003979 | | | • | | | | SQUADRETTA | SQUARE | EQUERRE-SUPPORT | HALTER | |
| 43 | 3003980 | | | | • | | | SQUADRETTA | SQUARE | EQUERRE-SUPPORT | HALTER | |
| 43 | 3012053 | | | | | • | | SQUADRETTA | SQUARE | EQUERRE-SUPPORT | HALTER | |
| 43 | 3012054 | | | | | | • | SQUADRETTA | SQUARE | EQUERRE-SUPPORT | HALTER | |
| 44 | 3003991 | • | • | • | • | • | • | SCHERMO | FLANGE GASKET | ECRAN THERMIQUE | FLANSCHDICHTUNG | |
| 45 | 3003987 | • | | | | | | IMBUTO FIAMMA | END CONE | EMBOUT GUEULARD | FLAMMENROHR | |
| 45 | 3003988 | | • | | | | | IMBUTO FIAMMA | END CONE | EMBOUT GUEULARD | FLAMMENROHR | |
| 45 | 3012055 | | | • | | | | IMBUTO FIAMMA | END CONE | EMBOUT GUEULARD | FLAMMENROHR | |
| 45 | 3012056 | | | | • | | | IMBUTO FIAMMA | END CONE | EMBOUT GUEULARD | FLAMMENROHR | |
| 45 | 3012057 | | | | | • | | IMBUTO FIAMMA | END CONE | EMBOUT GUEULARD | FLAMMENROHR | |
| 45 | 3012058 | | | | | | • | IMBUTO FIAMMA | END CONE | EMBOUT GUEULARD | FLAMMENROHR | |
| 46 | 3003983 | • | • | • | • | | | OTTURATORE | SHUTTER | OBTURATEUR | SCHIEBER | |
| 46 | 3003984 | | | | | • | • | OTTURATORE | SHUTTER | OBTURATEUR | SCHIEBER | |
| 47 | 3003322 | • | • | • | • | • | • | RACCORDO | CONNECTOR | MAMELON | NIPPEL | |
| 48 | 3012050 | • | • | • | • | • | • | MANICOTTO | MANIFOLD | MANCHON | GASANSCHLUSS | |
| 49 | 3003864 | • | • | • | • | • | • | RACCORDO | CONNECTOR | MAMELON | NIPPEL | |
| 50 | 3007166 | • | • | • | • | • | • | GUARNIZIONE | SEAL | RONDELLE | METALLDICHTUNG | |

| N. | COD. | 828T40 | | 829 T40 | | 830 T40 | | DESCRIZIONE | DESCRIPTION | DESCRIPTION | BESCHREIBUNG | MATRICOLA BRUCIATORE BURNER SERIAL NUMBER MATRICULE BRULEUR BRENNER KENN-NUMMER |
|----|---------|---------|-----------|---------|-----------|---------|-----------|--------------------------|---------------------------|---------------------------|-------------------------|--|
| | | 3787040 | 3787041 * | 3787240 | 3787241 * | 3787440 | 3787441 * | | | | | |
| 51 | 3005482 | • | • | • | • | • | • | GUARNIZIONE | SEAL | RONDELLE | FLANSCHDICHTUNG | |
| 52 | 3006803 | • | • | • | • | • | • | FLANGIA E GOMITO | FLANGE AND ELBOW | BRIDE ET COUDE | ANSCHLUSSFLANSCHGAS | |
| 53 | 3003996 | • | • | • | • | • | • | TAPPO | PLUG | BOUCHON A VIS | SCHRAUBSTÖPSEL | |
| 54 | 3012348 | • | • | • | • | • | • | BOCCA D' ASPIRAZIONE | AIR INTAKE | BOITIER D'ASPIRATION | ANSAUGÖFFNUNG | |
| 55 | 3012349 | • | • | • | • | • | • | ALBERO | SHAFT | ARBRE | WELLE | |
| 56 | 3012350 | • | • | • | • | • | • | LEVA | LEVER | LEVIER | HEBEL | |
| 57 | 3006098 | • | • | • | • | • | • | SNODO SFERICO | PIN JOINT | CHAPE A ROTULE | KUGELGELENK | |
| 58 | 3012059 | • | • | • | • | • | • | ALBERO MANICOTTO | BUTTERFLY VALVE SHAFT | AXE DE LA VANNE PAPILLON | SPINDEL GASDROSSEL | |
| 59 | 3003841 | • | • | • | • | • | • | CUSCINETTO | BEARING | ROULEMENT | LAGER | |
| 60 | 3012351 | • | • | • | • | • | • | TIRANTE | TIE ROD | TIRANT | GESTÄNGE | |
| 61 | 3012352 | • | • | • | • | • | • | PERNO | SCREW | VIS CREUSE | HOHLKERNSCHRAUBE | |
| 62 | 3012353 | • | • | • | • | • | • | PERNO | SCREW | VIS CREUSE | HOHLKERNSCHRAUBE | |
| 63 | 3012354 | • | • | • | • | • | • | LEVA | LEVER | LEVIER | HEBEL | |
| 64 | 3012355 | • | • | • | • | • | • | QUADRANTE | GRADUATE SECTOR | SECTEUR GRADUE | SKALENSEGMENT | |
| 65 | 3012356 | • | • | • | • | • | • | MOLLA | SPRING | RESSORT | FEDER | |
| 66 | 3012060 | • | • | • | • | • | • | TIRANTE | TIE ROD | TIRANT | GESTÄNGE | |
| 67 | 3012357 | • | • | • | • | • | • | CUSCINETTO | BEARING | ROULEMENT | LAGER | |
| 68 | 3006097 | • | • | • | • | • | • | MOLLA PER CAMMA | FLAT SPRING | RESSORT PLAT | KURVENBAND | |
| 69 | 3012358 | • | • | • | • | • | • | CAMMA COMPLETA | CAM ASSEMBLY | CAME COMPLETE | VERBUNDREGLER | |
| 70 | 3012359 | • | • | • | • | • | • | LEVA | LEVER | LEVIER | HEBEL | |
| 71 | 3007269 | • | • | • | • | • | • | INTERRUTT. DIFFERENZIALE | GROUND FAULT INTERRUPTEUR | INTERRUPTEUR DIFFERENTIEL | FEHLERSTROMSCHUTZSCHAL. | |

* = Versione Testa Lunga - Long Combustion Head Version - Version Tête Longue - Langer Brennkopf Ausführung

RIELLO

RIELLO S.p.A.
I-37045 Legnago (VR)
Tel.: +39.0442.630111
[http:// www.riello.it](http://www.riello.it)
[http:// www.rielloburners.com](http://www.rielloburners.com)