

- GB** Forced draught gas burners
- E** Quemadores de gas de aire soplado
- P** Queimadores a gás com ar insuflado

Progressive two-stage or modulating operation  
Funcionamiento a dos llamas progresivas o modulante  
Funcionamento a duas chamas progressivas ou modulante



CODE - CÓDIGO	MODEL - MODELO	TYPE - TIPO
3788700 - 3788710	RS 34/M MZ	874 T
3788701 - 3788711	RS 34/M MZ	874 T
3788800 - 3788810	RS 44/M MZ	875 T
3788801 - 3788811	RS 44/M MZ	875 T
3788830 - 3788840	RS 44/M MZ	875 T
3788831 - 3788841	RS 44/M MZ	875 T



## DECLARATION OF CONFORMITY A.R. 8/01/2004 & 17/07/2009 – Belgium

Producer: RIELLO S.p.A.  
I - 37045 Legnago (VR)  
Tel. +39.0442.630111

Distributed by: RIELLO NV  
Ninovesteenweg 198  
9320 Erembodegem  
Tel. (053) 769 030  
Fax. (053) 789 440  
e-mail. info@riello.be  
URL. www.riello.be

This document certifies that the series of devices specified below is in compliance with the model as described in the EC Declaration of Conformity, and has been manufactured and distributed in compliance with the requirements defined in the Legislative Decree of 8 January 2004 and 17 July 2009.

Type of product: Blown type gas burners

		Model	
		874 T	875 T
		RS 34/M MZ	RS 44/M MZ
Values measured *	average NOx (mg/kWh)	103	89
	max CO (mg/kWh)	7	2

\* Natural gas operation (Fam. 2)

Regulation applied: EN 676 and A.R. of 8 January 2004 - 17 July 2009

Controlling organisation: TÜV SÜD Industrie Service GmbH  
Ridlerstrasse, 65  
80339 Munchen DEUTSCHLAND

### Manufacturer's Declaration

RIELLO S.p.A. declares that the following products comply with the NOx emission limits specified by German standard "1. BImSchV release 26.01.2010".

Product	Type	Model	Power
Forced draught gas burners	875 T	RS 44/M MZ	80 - 550 kW

Legnago, 02.01.2012

Mr. G. Conticini  
Burners Division Department  
RIELLO S.p.A.



- ▶ The burner **has EC marking** and conforms to the basic requisites of the following Directives:
  - EC Reg. N.: **0085BR0378** in accordance with 90/396/EEC;
  - Electromagnetic Compatibility Directive 2004/108/EC;
  - Low voltage directive 2006/95/EC;
  - Machine Directive 2006/42/EC;
- ▶ The burner meets protection level of IP 40 as EN 60529.

## IDENTIFICATION

The Identification Plate on the product gives the serial number, model and main technical and performance data. If the Identification Plate is tampered with, removed or missing, the product cannot be clearly identified, thus making any installation or maintenance work potentially dangerous.

## GENERAL WARNINGS

The dimension of the boiler's combustion chamber must respond to specific values, in order to guarantee a combustion with the lowest polluting emissions rate.

You are therefore advised to consult the Technical Assistance Department before choosing this type of burner for the combination with a boiler.

Qualified personnel are those with the professional and technical requirements indicated by Law no. 46 dated 5 March 1990. The commercial organisation has a widespread network of agencies and technical offices whose personnel participates periodically in instructional and refresher courses at the company training centre.

This burner must only be used for the application it was designed for.

The manufacturer cannot accept responsibility for any damage to persons, animals or property due to errors in installation or in the burner adjustment, or due to improper or unreasonable use or non-observance of the technical instructions enclosed with the burner, or due to the intervention of unqualified personnel.

## USER INFORMATION


If faults arise in ignition or operations, the burner performs a "safety stop", which is signalled by the red burner lock out LED. To rearm start-up conditions, press the release button. When the burner starts up again, the red LED goes out.

This operation can be repeated for a maximum of 3 times. If the "safety stop" recurs, then the Technical Assistance Centre must be contacted.

## BASIC SAFETY RULES

- ▶ Children or inexpert persons must not use the appliance.
- ▶ Under no circumstances must the intake grids, dissipation grids and ventilation vents in the installation room be covered up with cloths, paper or any other material.
- ▶ Unauthorised persons must not attempt to repair the appliance
- ▶ It is dangerous to pull or twist the electric leads.
- ▶ Cleaning operations must not be performed if the appliance is not disconnected from the main power supply.
- ▶ Do not clean the burner or its parts with inflammable substances (e.g. petrol, alcohol, etc.).  
The cover must be cleaned with soapy water.
- ▶ Do not place anything on the burner.
- ▶ Do not leave containers and inflammable products in the installation room.

The following symbols are used in this manual:

 **ATTENTION** = for actions requiring special care and adequate preparation.

 **FORBIDDEN** = for actions **THAT MUST NOT** be performed.

**TECHNICAL DATA** ..... page 2

Structural versions .....2

Accessories ..... 3

Burner description .....4

Packaging - Weight .....4

Max dimensions .....4

Standard equipment .....4

Firing rates .....5

Test boiler .....5

Commercial boilers .....5

Gas pressure .....6

**INSTALLATION** .....7

Working position .....7

Boiler plate .....7

Blast tube length .....7

Fixing the burner to the boiler .....7

Combustion head setting ..... 8

Gas feeding line .....9

Adjustment prior to ignition .....10

Servomotor .....10

Burner start-up .....10

Burner ignition .....10

Burner calibration: .....11

Determination of output upon ignition (minimum) .....11

1 - Output upon ignition (minimum) .....11

2 - Maximum output .....12

3 - Intermediate outputs .....12

4 - Air pressure switch .....13

5 - Minimum gas pressure switch .....13

Flame presence check .....13

Burner operation .....14

Final checks .....15

Maintenance .....15

Switchboard maintenance .....16

Fault - Probable cause - Suggested remedy .....18

Normal operation / flame detection time .....19

**Appendix** .....20

Switchboard layout .....22

**N.B.**

Figures mentioned in the text are identified as follows:

- 1)(A) =part 1 of figure A, same page as text;
- 1)(A)p.3 =part 1 of figure A, shown on page 3.

**INFORMATION ABOUT THE INSTRUCTION MANUAL**

---

**INTRODUCTION**

The instruction manual supplied with the burner:

- is an integral and essential part of the product and must not be separated from it; it must therefore be kept carefully for any necessary consultation and must accompany the burner even if it is transferred to another owner or user, or to another system. If the manual is lost or damaged, another copy must be requested from the Technical Assistance Service **RIELLO** of the area;
- is designed for use by qualified personnel;
- offers important indications and instructions relating to the installation safety, start-up, use and maintenance of the burner.

**DELIVERY OF THE SYSTEM AND THE INSTRUCTION MANUAL**

When the system is delivered, it is important that:

- The instruction manual is supplied to the user by the system manufacturer, with the recommendation to keep it in the room where the heat generator is to be installed.
- The instruction manual shows:
  - the serial number of the burner;

.....

- the address and telephone number of the nearest Assistance Centre;

.....

.....

.....

- The system supplier carefully informs the user about:
  - the use of the system,
  - any further tests that may be necessary before the system is started up,
  - maintenance and the need to have the system checked at least once a year by the manufacturer or another specialised technician.

To ensure a periodic check, **RIELLO** recommends the drawing up of a Maintenance Contract.

MODEL		RS 34/M MZ		RS 44/M MZ		RS 44/M MZ	
TYPE		874 T		875 T		875 T	
OUTPUT (1) MAX.	kW	125 - 390		203 - 550		203 - 550	
	Mcal/h	108 - 336		175 - 473		175 - 473	
MIN.	kW	45		80		80	
	Mcal/h	39		69		69	
FUEL		NATURAL GAS: G20 - G21 - G22 - G23 - G25					
		G20	G25	G20	G25	G20	G25
- net calorific value	kWh/Sm <sup>3</sup>	9.45	8.13	9.45	8.13	9.45	8.13
	Mcal/Sm <sup>3</sup>	8.2	7.0	8.2	7.0	8.2	7.0
- absolute density	kg/Sm <sup>3</sup>	0.71	0.78	0.71	0.78	0.71	0.78
- max. delivery	Sm <sup>3</sup> /h	41	48	58	67.6	58	67.6
- pressure at max. delivery (2)	mbar	13.1	18.4	16.7	23.2	16.7	23.2
OPERATION		<ul style="list-style-type: none"> <li>On-Off (1 stop min each 24 hours).</li> <li>Progressive two-stage or modulating by kit (see ACCESSOIRES).</li> </ul>					
STANDARD APPLICATIONS		Boilers: water, steam, diathermic oil					
AMBIENT TEMPERATURE	°C	0 - 40					
COMBUSTION AIR TEMPERATURE	°C max	60					
ELECTRICAL SUPPLY	V Hz	230 - +/-10% 50/60 - single-phase				230 - 400 with neutral ~ +/-10% 50/60 - three-phase	
ELECTRIC MOTOR	rpm	2800		2800		2780	
	W	300		420		450	
	V	220 - 240		220 - 240		220/240-380/415	
ACCELERATION CURRENT	A	15		17		14 - 10	
WORKING CURRENT	A	3.2		3.5		2 - 1.4	
MOTOR CAPACITOR	µF/V	12.5/260		12.5/420		-	
IGNITION TRANSFORMER	V1 - V2 I1 - I2	230 V - 1 x 15kV 1 A - 25mA					
ELECTRICAL POWER CONSUMPTION	W max	600		700		750	
NOISE (3) SOUND PRESSURE	dBA	68		70		70	
		79		81		81	
APPROVAL	EC	0085BR0378		0085BR0378		0085BR0378	

(1) Reference conditions: Room temperature 20°C - Gas temperature 15°C - Barometric pressure 1013 mbar - Altitude 0m above sea level.

(2) Socket pressure 7)(A)p.4 with zero pressure in the combustion chamber.

(3) Noise emission tests carried out as specified in EN 15036-1 with measurement accuracy  $\sigma = \pm 1.5$  dB, in the manufacturer's combustion chamber with burner operating on test boiler at maximum output.

STRUCTURAL VERSIONS

Model	ELECTRICAL POWER SUPPLY	BLAST TUBE LENGTH mm
RS 34/M MZ	single-phase	216
	single-phase	351
RS 44/M MZ	single-phase	216
	single-phase	351
	three-phase	216
	three-phase	351

GAS CATEGORIES

COUNTRY	CATEGORY
IT - AT - GR - DK - FI - SE	II <sub>2</sub> H3B/P
ES - GB - IE - PT	II <sub>2</sub> H3P
NL	II <sub>2</sub> L3B/P
FR	II <sub>2</sub> E3P
DE	II <sub>2</sub> ELL3B/P
BE	I <sub>2</sub> E(R)B, I <sub>3</sub> P
LU	II <sub>2</sub> E 3B/P

## ACCESSORIES (optional):

### • RADIO DISTURBANCE PROTECTION KIT

If the burner is installed in places particularly subject to radio disturbance (emission of signals exceeding 10 V/m) owing to the presence of an INVERTER, or in applications where the length of the thermostat connections exceeds 20 metres, a protection kit is available as an interface between the control box and the burner.

BURNER	RS 34-44/M MZ
Code	3010386

### • KIT LONG HEAD

BURNER	RS 34/M MZ	RS 44/M MZ
Code	3010428	3010429

• **KIT FOR LPG OPERATION:** the kit allows the RS 34-44/M MZ burners to burn LPG.

BURNER	RS 34/M MZ	RS 44/M MZ
Output kW	80/125 - 390 kW	120/200 - 530 kW
Blast tube length mm	216 - 351	216 - 351
Code	3010423	3010424

### • KIT FOR MODULATING OPERATION

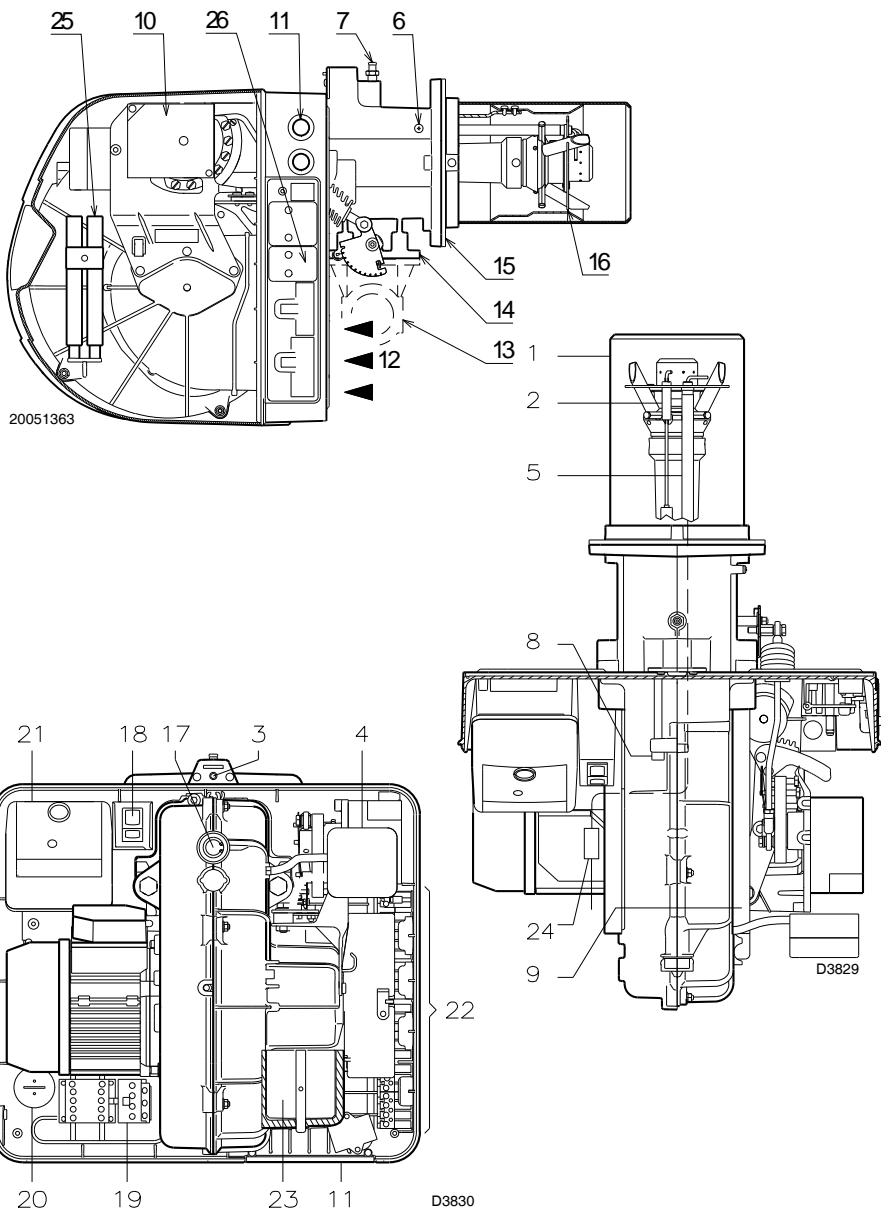
OUTPUT POWER REGULATOR KIT RWF40					OUTPUT POWER REGULATOR WITH SIGNAL 4-20 mA, 0-10V				
Two components should be ordered: • the Output power regulator to install on the burner; • the Probe to install on the heat generator					Two components should be ordered: • the Analogical signal converter; • the Potentiometer				
Parameter to control		Probe		Output power regulator		Potentiometer		Analogical Signal Converter	
	Adjustment field	Type	Code	Type	Code	Type	Code	Type	Code
Temperature	- 100...+500°C	PT 100	3010110	RWF40	3010417	ASZ...	3010420	E5202	3010410
Pressure	0...2.5 bar 0...16 bar	Output probe 4...20 mA	3010213 3010214						

• POTENTIOMETER KIT FOR THE INDICATION OF LOAD POSITION	Code 3010420
• MAXIMUM GAS PRESSURE SWITCH	Code 3010418
• KIT CLEAN CONTACTS	Code 3010419
• KIT POST-PURGING	Code 3010451

• KIT GROUND FAULT INTERRUPTER	Code 3010448
• KIT CONTINUOUS PURGING	Code 3010449
• KIT HOURCOUNTER	Code 3010450
• KIT INTERFACE ADAPTER RMG TO PC	Code 3002719

• **GAS TRAINS TO COUPLE WITH THE BURNER, ACCORDING TO REGULATION EN 676 (complete with valves, pressure adjuster and filter):** see page 9.

**NOTE:** The installer is responsible for the addition of any safety device not foreseen in this manual.



### BURNER DESCRIPTION (A)

- 1 Combustion head
- 2 Ignition electrode
- 3 Screw for combustion head adjustment
- 4 Minimum air pressure switch (differential operating type)
- 5 Flame sensor probe
- 6 Air pressure socket
- 7 Gas pressure test point and head fixing screw
- 8 Screws securing fan to sleeve
- 9 Slide bars for opening the burner and inspecting the combustion head
- 10 Servomotor controlling the gas butterfly valve and the air damper (by means of a variable profile cam mechanism).  
When the burner is stopped, the air damper will be completely closed to reduce heat loss due to the flue draught, which tends to draw air from the fan air inlet.
- 11 Areas for passage of electric cables
- 12 Air inlet to fan
- 13 Gas input pipework
- 14 Gas butterfly valve
- 15 Boiler mounting flange
- 16 Flame stability disc
- 17 Flame inspection window
- 18 Power switch for different operations:  
automatic - manual - off  
Button for:  
power increase - power reduction
- 19 Motor contact maker and thermal cutout with reset button (RS 44/M MZ three-phase)
- 20 Motor capacitor (RS 34-44/M MZ single-phase)
- 21 Control box with lockout pilot light and lockout reset button
- 22 Sockets for electrical connection
- 23 Air damper
- 24 Plug-socket on ionisation probe cable
- 25 Guide extensions (long head version)
- 26 4-pole socket cover (see electrical panel appendix)

Two types of burner failure may occur:

- **CONTROL BOX LOCKOUT:**  
if the control box 21)(A) pushbutton lights up, it indicates that the burner is in lockout. To reset, press the push button.
- **MOTOR LOCKOUT** (RS 44/M MZ three-phase):  
three-phase electrical supply; to unblock, press the thermal cutout switch 19)(A).

**PACKAGING - WEIGHT (B)** - Approximate measurements

- The burners are shipped in cardboard boxes with the maximum dimensions shown in tab. (B).
- The weight of the burner complete with packaging is indicated in tab. (B).

**MAX. DIMENSIONS (C)** - approximate measurements

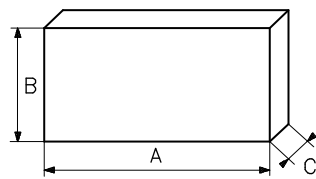
The maximum dimensions of the burner are given in (C).

Bear in mind that, in order to inspect the combustion head, the burner must be pulled back.

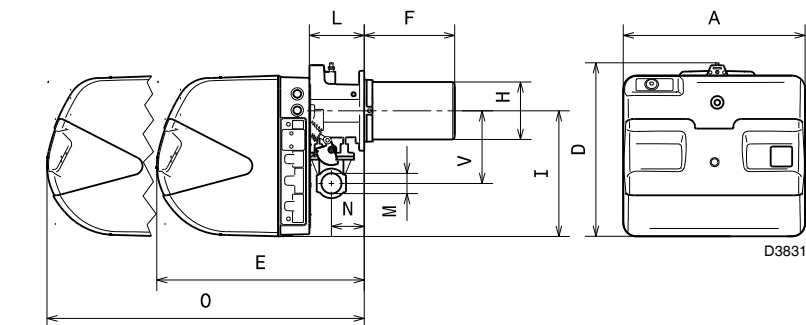
### STANDARD EQUIPMENT

- 1 - Gas train flange
- 1 - Flange gasket
- 4 - Flange fixing screws M 8 x 25
- 4 - Screws to secure the burner flange to the boiler: M 8 x 25
- 1 - Thermal insulation screen
- 3 - Plugs for electrical connection (RS 34-44/M MZ single-phase)
- 4 - Plugs for electrical connection (RS 44/M MZ three-phase)
- 1 - Instruction booklet
- 1 - Spare parts list

mm	A	B	C	kg
RS 34/M MZ	1000	500	485	32
RS 44/M MZ	1000	500	485	33



### (B)

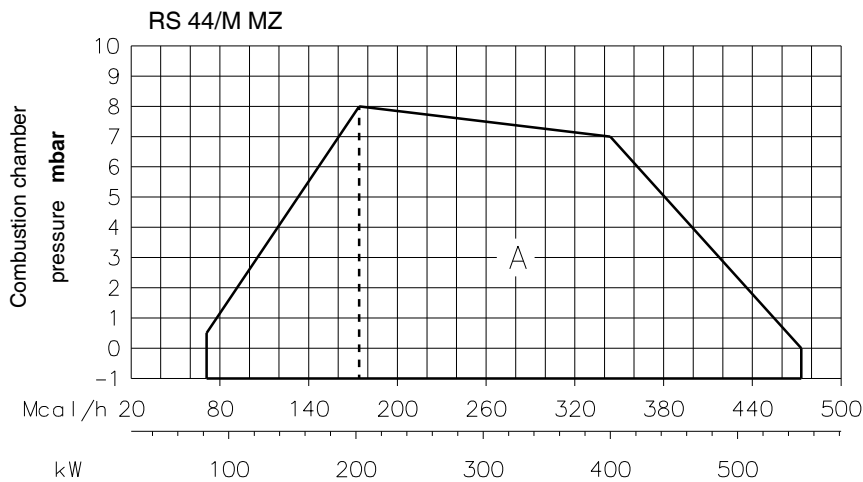
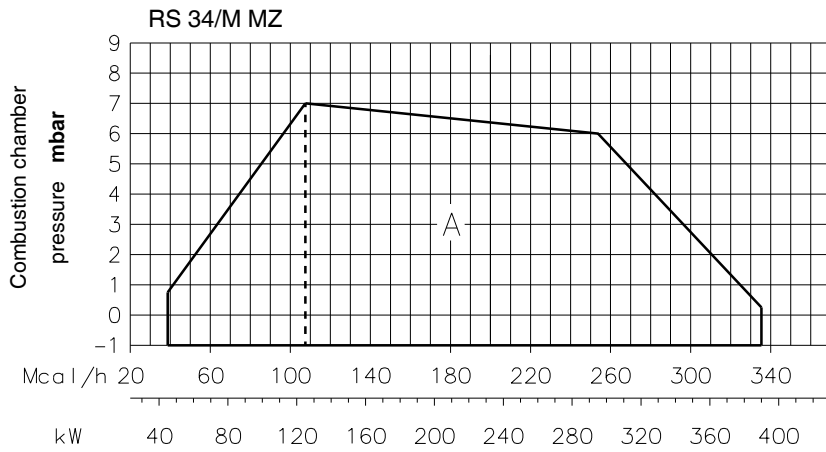


### (C)

mm	A	D	E	F <sup>(1)</sup>	H	I	L	O	N	V	M
RS 34/M MZ	442	422	508	216-351	140	305	138	780	84	177	1"1/2
RS 44/M MZ	442	422	508	216-351	152	305	138	780	84	177	1"1/2

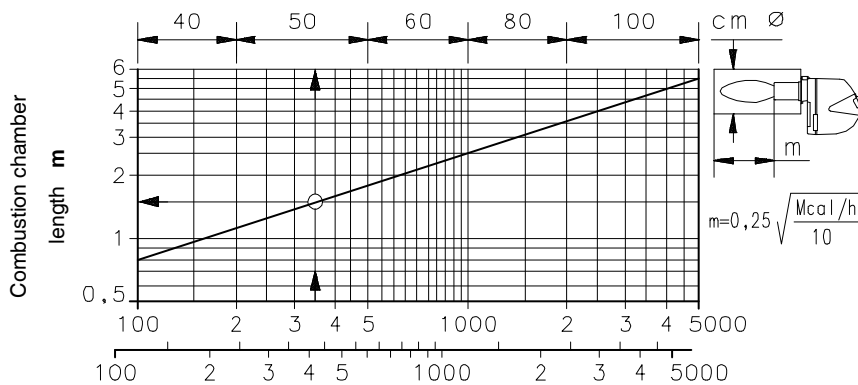
(1) Blast tube: short-long





(A)

D9304



(B)

D497

### FIRING RATES (A)

During operation, burner output varies between:

- a **MAXIMUM OUTPUT**, selected within area A,
- and a **MINIMUM OUTPUT**, which must not be lower than the minimum limit in the diagram:

RS 34/M MZ = 45 kW

RS 44/M MZ = 80 kW

### Important

The FIRING RATE values have been obtained considering an ambient temperature of 20°C, an atmospheric pressure of 1013 mbar (approx.0m above sea level), and with the combustion head adjusted as shown on page 8.

### TEST BOILER (B)

The firing rates were set in relation to special test boilers, according to EN 676 regulations.

Figure (B) indicates the diameter and length of the test combustion chamber.

### Example

Output 350 Mcal/h:

diameter = 50 cm - length 1.5 m.

### COMMERCIAL BOILERS

The burner/boiler combination does not pose any problems if the boiler is CE approved and its combustion chamber dimensions are similar to those indicated in diagram (B).

If the burner must be combined with a commercial boiler that has not been CE approved and/or its combustion chamber dimensions are clearly smaller than those indicated in diagram (B), consult the manufacturer.

In addition, for inversion boilers you are advised to check the length of the combustion head, as indicated by the boiler manufacturer.

**RS 34/M MZ**

$\Delta p$  (mbar)

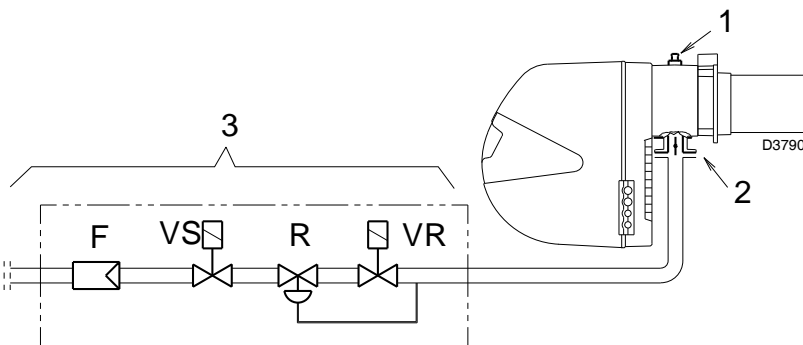
kW	1	2	3				
			MB 407 S2 (Rp 3/4")	MB 410 S2 (Rp 1")	MB 412 S2 (Rp 1.1/4")	MB 415 S2 (Rp 1.1/2")	MB 420 S2 (Rp 2")
130	1,5	0,1	8,6	4,4	2,3	--	--
140	2,0	0,1	9,7	5,0	2,6	--	--
160	2,9	0,1	12,3	6,2	3,2	--	--
180	3,8	0,2	15,1	7,6	3,8	--	--
200	4,6	0,2	18,1	9,0	4,5	--	--
220	5,5	0,3	21,2	10,6	5,3	--	--
240	6,4	0,3	24,6	12,3	6,1	3,2	--
260	7,3	0,4	28,2	14,1	6,9	3,5	--
280	8,2	0,4	32,3	16,0	7,8	3,9	--
300	9,1	0,5	36,6	18,0	8,7	4,3	--
320	10,0	0,5	41,2	20,0	9,6	4,7	3,2
340	10,9	0,6	45,6	22,0	10,7	5,1	3,3
360	11,8	0,7	50,2	23,9	11,8	5,6	3,5
380	12,7	0,8	54,9	26,0	13,0	6,0	3,8
390	13,1	0,8	57,4	27,0	13,5	6,3	4,0

**RS 44/M MZ**

$\Delta p$  (mbar)

kW	1	2	3					
			MB 407 S2 (Rp 3/4")	MB 407 S5 (Rp 3/4")	MB 410 S2 (Rp 1.1/4")	MB 412 S2 (Rp 1.1/4")	MB 415 S2 (Rp 1.1/2")	MB 420 S2 (Rp 2")
200	3,0	0,2	18,1	18,1	9,0	4,5	--	--
225	4,0	0,3	22,1	22,1	11,0	5,5	3,2	--
250	4,9	0,3	26,4	26,4	13,2	6,5	3,3	--
275	5,9	0,4	31,3	31,3	15,5	7,6	3,8	--
300	6,9	0,5	36,6	36,6	18,0	8,7	4,3	--
325	7,9	0,6	42,2	42,2	20,5	9,9	4,8	3,2
350	8,9	0,6	47,8	47,8	22,9	11,2	5,4	3,4
375	9,8	0,7	53,7	53,7	25,4	12,7	5,9	3,8
400	10,8	0,8		59,9	28,1	14,0	6,5	4,1
425	11,8	1,0		66,4	30,8	15,4	7,1	4,5
450	12,8	1,1		73,2	33,6	16,8	7,7	4,9
475	13,8	1,2		80,3	36,5	18,3	8,3	5,3
500	14,7	1,3		87,6	39,5	19,8	9,0	5,7
525	15,7	1,5		95,1	42,6	21,4	9,6	6,1
550	16,7	1,6		103,0	45,8	23,1	10,2	6,6

(A)



(B)

**GAS PRESSURE**

The adjacent tables show minimum pressure losses along the gas supply line depending on the maximum burner output operation.

Column 1

Pressure loss at combustion head.

Pressure of the gas at the socket 1)(B), with combustion chamber at 0 mbar.

Column 2

Pressure loss at gas butterfly valve 2)(B) with maximum opening: 90°.

Column 3

Pressure loss of gas train 3)(B) includes: adjustment valve VR, safety valve VS (both fully open), pressure governor R, filter F.

The values shown in the various tables refer to:

natural gas G 20 PCI 9.45 kWh/Sm<sup>3</sup>  
(8.2 Mcal/Sm<sup>3</sup>)

With:

natural gas G 25 PCI 8.13 kWh/Sm<sup>3</sup>  
(7.0 Mcal/Sm<sup>3</sup>)

multiply the values of the table:

- columns 1-2: by 1.5;
- column 3: by 1.35.

Calculate the approximate maximum output of the burner in this way:

- subtract the combustion chamber pressure from the gas pressure measured at test point 1)(B).
- Find, in the table relating to the burner concerned, the pressure value closest to the result of the subtraction.
- Read the corresponding output on the left.

**Example - RS 34/M MZ:**

- Maximum output operation
  - Natural gas G 20 PCI 9.45 kWh/Sm<sup>3</sup>
  - Gas pressure at test point 1)(B) = 9.3 mbar
  - Pressure in combustion chamber = 2 mbar
- 9.3 - 2 = 7.3 mbar

A pressure of 9.3 mbar (column 1) corresponds in the table RS 34/M MZ to an output of 260 kW.

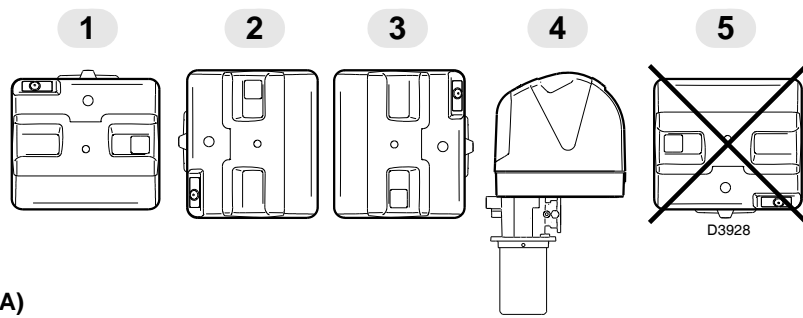
This value serves as a rough guide; the effective output must be measured at the gas meter.

To calculate the required gas pressure at test point 1)(B), set the maximum output required from the burner operation:

- find the nearest output value in the table for the burner in question.
- Read, on the right (column 1) the socket pressure 1)(B).
- Add this value to the estimated pressure in the combustion chamber.

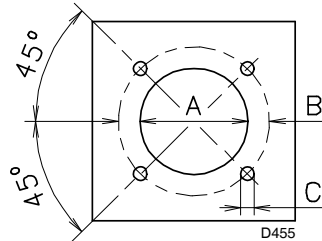
**Example - RS 34/M MZ:**

- Required burner maximum output operation: 260 kW
  - Natural gas G 20 PCI 9.45 kWh/Sm<sup>3</sup>
  - Pressure of the gas at an output of 260 kW, from the table RS 34/M MZ, column 1 = 7.3 mbar
  - Pressure in combustion chamber = 2 mbar
- 7.3 + 2 = 9.3 mbar
- pressure required at test point 1)(B).

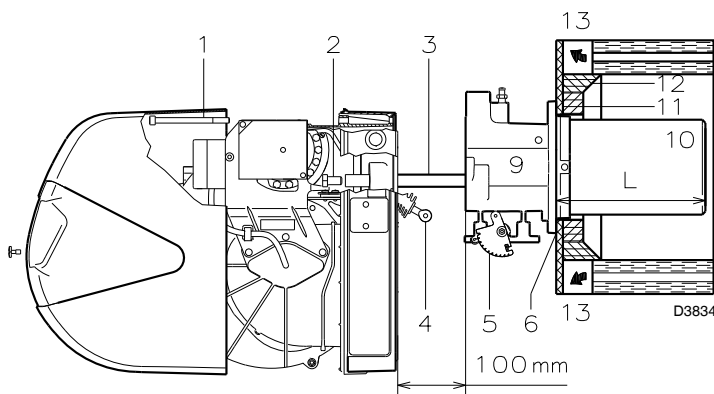


(A)

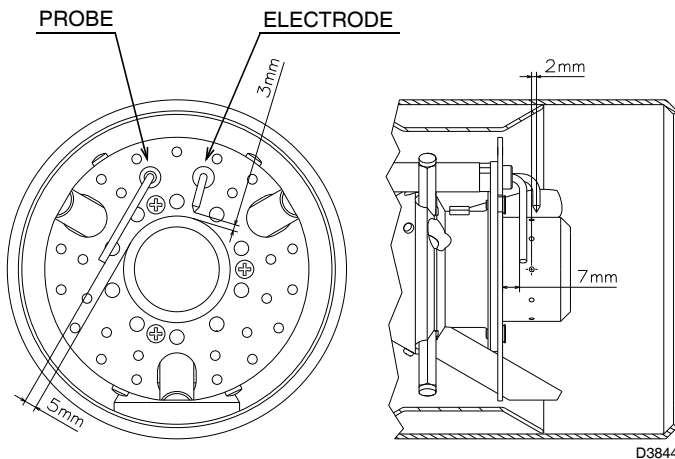
mm	A	B	C
RS 34/M MZ	160	224	M8
RS 44/M MZ	160	224	M8



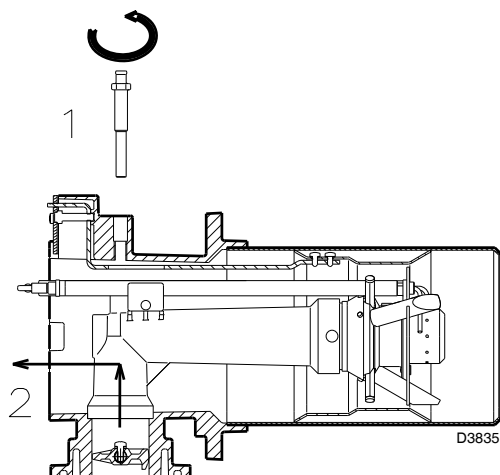
(B)



(C)



(D)



(E)

## INSTALLATION

**⚠ THE BURNER MUST BE INSTALLED IN CONFORMITY WITH LEGISLATION AND LOCAL STANDARDS.**

### WORKING POSITION (A)

**⚠** The burner is designed to work only in the positions 1, 2, 3 and 4.

Installation 1 is preferable, as it is the only one that allows the maintenance operations as described in this manual. Installations 2, 3 and 4 allow the working, but make the operations of maintenance and checking of the combustion head more difficult page 15.

**⊘** Any other position could compromise the correct working of the appliance. Installation 5 is forbidden, for safety reasons.

### BOILER PLATE (B)

Pierce the closing plate of the combustion chamber, as in (B). The position of the threaded holes can be marked using the thermal screen supplied with the burner.

### BLAST TUBE LENGTH (C)

The length of the blast tube must be selected according to the indications provided by the manufacturer of the boiler, and in any case it must be greater than the thickness of the boiler door complete with its fettling.

The range of lengths available, L (mm), is as follows:

blast tube 10)	RS 34/M MZ	RS 44/M MZ
• short	216	216
• long	351	351

For boilers with front flue passes 13) or flame inversion chambers, protective fettling in refractory material 11), must be inserted between the boiler fettling 12) and the blast tube 10).

This protective fettling must not compromise the extraction of the blast tube.

For boilers with a water-cooled frontpiece, a heat-resistant cover is not necessary 11)-12)(C), unless expressly requested from the boiler manufacturer.

### FIXING THE BURNER TO THE BOILER (C)

Before fixing the burner to the boiler, check (from the opening of the blast tube) that the probe and the electrode are correctly positioned, as in (D).

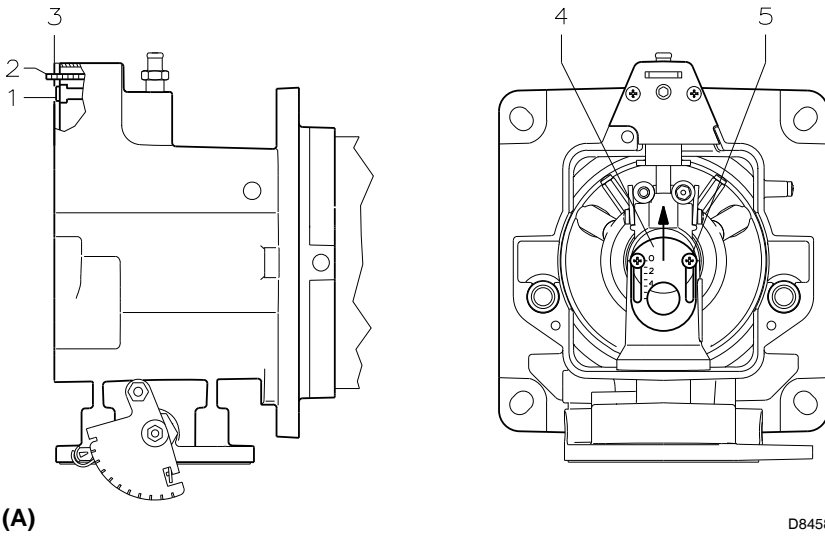
Separate the combustion head from the rest of the burner, fig. (C):

- disengage the articulated coupling 4) from the graduated sector 5);
- remove the screws 2) from the two side bars 3);
- remove screw 1) and pull the burner back on side bars 3) by about 100 mm;
- disconnect the probe and electrode leads, then unthread the burner completely from the guides.

Fix the unit 9)(C) to the boiler plate, inserting the supplied insulating gasket 6)(C). Use the 4 screws, also supplied with the unit, after first protecting the thread with an anti-locking product. The seal between burner and boiler must be airtight.

If, in the previous check, the position of the probe or electrode was not correct, remove the screw 1)(E), extract the inner part 2)(E) of the head, and adjust them. Do not rotate the probe: leave it as in (D). If it is located too close to the ignition electrode, the control box amplifier may be damaged.

**⚠ ATTENTION**  
Proceed with the assembly of the inner part 2)(E) of the combustion head, tightening the screw 1)(E) with a tightening torque of  $4 \div 6 \text{ Nm}$ .



(A)

D8458

**COMBUSTION HEAD SETTING**

Installation operations are now at the stage where the blast tube and sleeve are secured to the boiler as shown in fig. (A). It is therefore particularly easy to adjust the combustion head.

**Air adjustment (A - B)**

Rotate the screw 1)(A) until the notch on the lamina 2)(A) corresponds with the surface of the plate 3)(A).

**Example:**

RS 44/M MZ burner, output = 300 kW.

From diagram (B) you can see that, for the MAX output of 300 kW, the air should be adjusted at notch 3, subtracted from the value of the pressure in the chamber. In this case, the loss of pressure in the combustion head is shown in column 1 on page 6.

**Note**

If the pressure in the chamber is equal to 0 mbar, the air is adjusted with reference to the broken line of the diagram (B).

**Central air adjustment (A - C)**

In case the application needs a particular setup, it is possible to modify the central air delivery using the ring nut 4)(A) up to the notch indicated in diagram (C).

In order to carry out this operation, unscrew the screws 5)(A) and lift up the ring nut 4)(A). At the end, tighten the screws 5)(A) again.

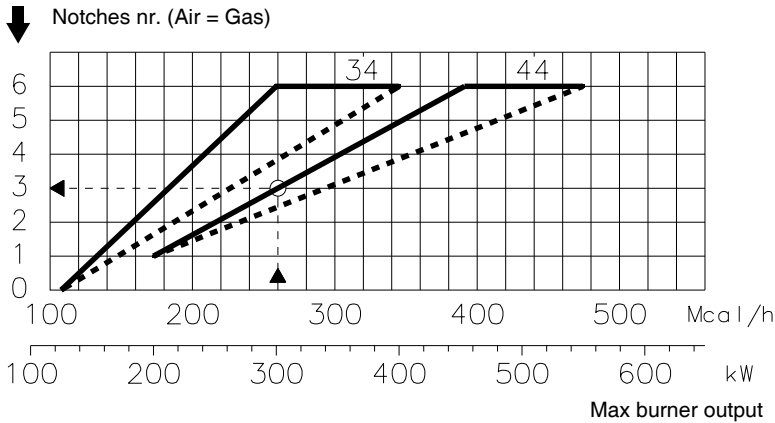
Once you have finished adjusting the head, reassemble the burner 4)(D) on the guides 3)(D) at about 100mm from the pipe coupling 5)(D) - burner in the position shown in fig. (C)p. 7 - insert the cable of the probe and the cable of the electrode, then slide the burner as far as the pipe coupling, burner in the position shown in fig. (D).

Refit screws 2) on slide bars 3).

Fix the burner to the pipe coupling with the screw 1).

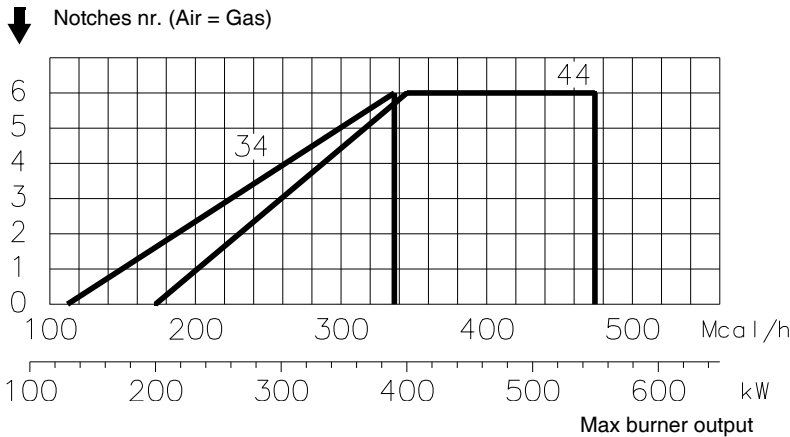
**Important**

When fitting the burner on the two slide bars, it is advisable to gently draw out the high tension cable and flame detection probe cable until they are slightly stretched.



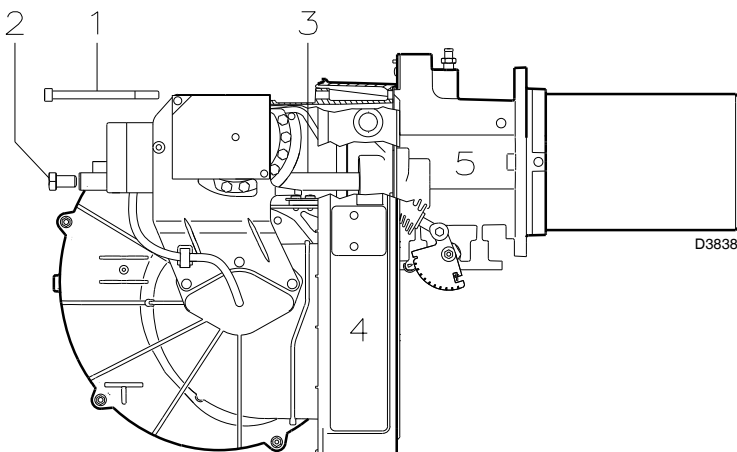
(B)

D3837



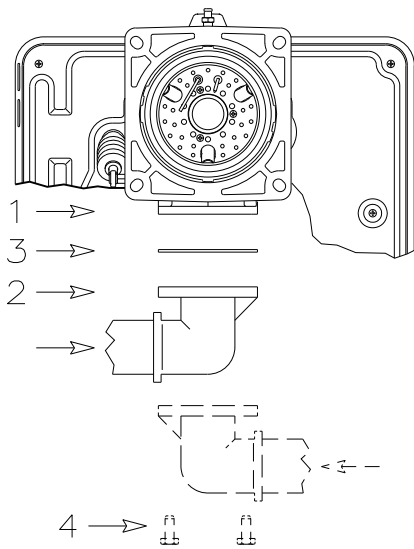
(C)

D8577



(D)

D3838



(A)

D3839

### GAS FEEDING LINE

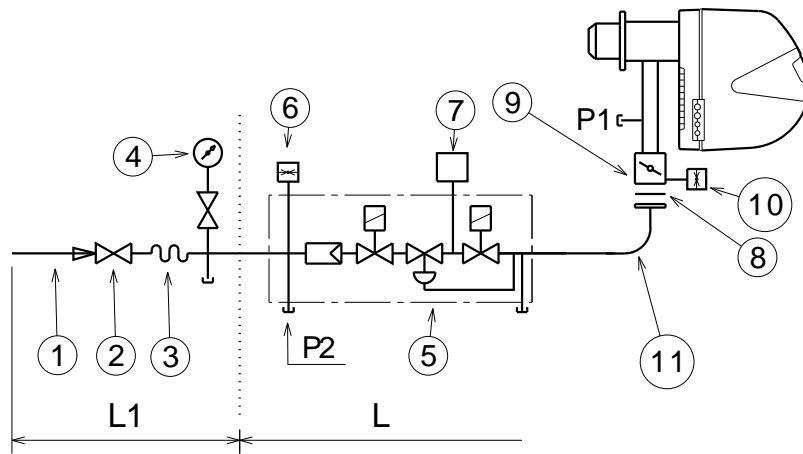
- The gas train must be connected to the gas attachment 1)(A), using the flange 2), gasket 3) and screws 4) supplied with the burner.
- The gas train can enter the burner from the right or left side, depending on which is the most convenient, see fig. (A).
- The gas solenoids must be as close as possible to the burner, to ensure that the gas reaches the combustion head within the safety time of 3s.

### GAS TRAIN (B)

Approved, together with the burner, according to the regulation EN 676, and supplied separately from the burner, with the code indicated in the table (C).

### KEY (B)

- 1 - Gas input pipe
  - 2 - Manual valve
  - 3 - Vibration damping joint
  - 4 - Pressure gauge with pushbutton cock
  - 5 - Multibloc, including:
    - filter (replaceable)
    - working valve
    - pressure adjuster
  - 6 - Minimum gas pressure switch
  - 7 - Valve seal checking device.
    - In accordance with the standard EN 676, gas valve leak detection control devices are compulsory for burners with maximum outputs of more than 1200 kW.
  - 8 - Gasket
  - 9 - Gas adjustment butterfly valve
  - 10 - Max gas pressure switch (accessory)
  - 11 - Gas train/burner adaptor
- P1 - Pressure at combustion head  
 P2 - Up-line pressure of valves/adjuster
- L - Gas train supplied separately with the code indicated in table (C)  
 L1 - The responsibility of the installer



(B)

D3791

### BURNERS AND RELATIVE GAS TRAINS APPROVED ACCORDING TO REGULATION EN 676

GAS TRAINS L				BURNER		7	11
Code	Model	Ø	C.T.	RS 34/M MZ	RS 44/M MZ	Code	Code
3970599	MB-DLE 407 S52	3/4"	-	-	•	-	3000824
3970553 3970229*	MB-DLE 407 S20	3/4"	-	•	•	3010123	3000824
3970554 3970230*	MB-DLE 410 S20	1"	-	•	•	3010123	3000824
3970144 3970231*	MB-DLE 412 S20	1"1/4	-	•	•	3010123	-
3970180 3970232*	MB-DLE 415 S20	1"1/2	-	•	•	3010123	-
3970181 3970233* 3970182 3970234*	MB-DLE 420 S20	2"	- - ♦ ♦	•	•	3010123 3010123 - -	3000822

\* Trains complete with 6-pin plug for connection to burner.

### KEY TO TABLE (C)

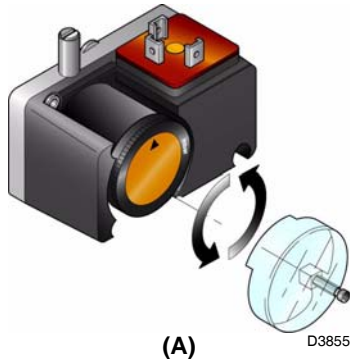
- C.T.= Checking device for gas valves seal:
- = Gas train without gas valve leak detection control device; device that can be ordered separately and assembled subsequently (see Column 7).
  - ♦ = Train with seal checking device already assembled.
- 7 = VPS valve leak detection control device. Supplied separately from gas train on request.
- 11 = Gas train/burner adaptor. Supplied separately from gas train on request.

### Note

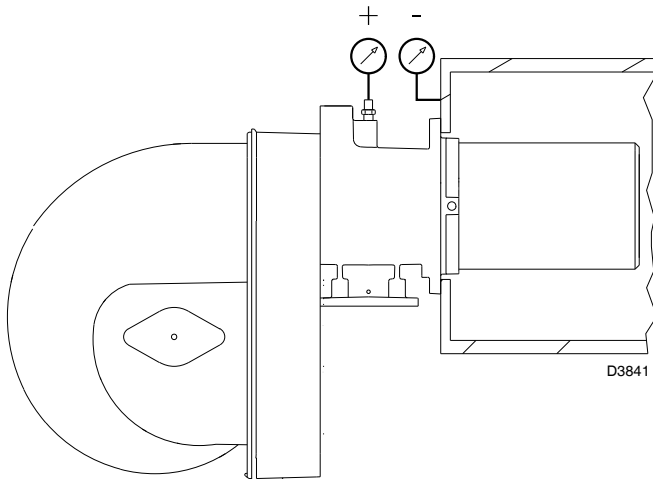
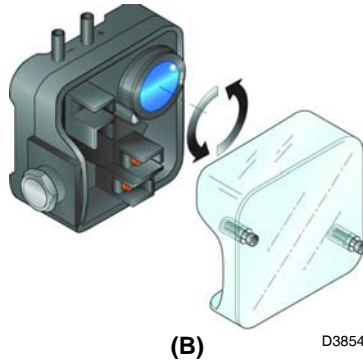
See the accompanying instructions for the adjustment of the gas train.

(C)

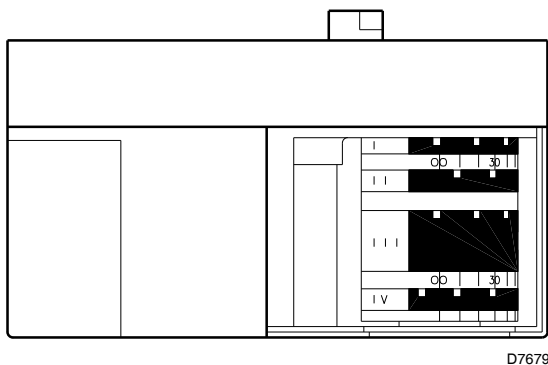
MIN GAS PRESSURE SWITCH



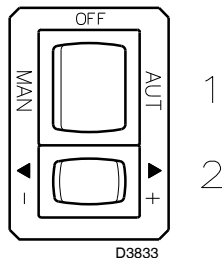
AIR PRESSURE SWITCH



(C)  
SERVOMOTOR



(D)



(E)

ADJUSTMENTS PRIOR TO IGNITION

**⚠ WARNING**  
THE FIRST IGNITION MUST BE CARRIED OUT BY QUALIFIED PERSONNEL WITH THE RIGHT INSTRUMENTS.

The adjustment of the combustion head, air, was described on page 8. In addition, the following adjustments must also be made:

- open manual valves up-line from the gas train.
- Adjust the minimum gas pressure switch to the start of the scale (A).
- Adjust the air pressure switch to the start of the scale (B).
- Purge the air from the gas line.  
Continue to purge the air (we recommend using a plastic tube routed outside the building) until gas is smelt.
- Assemble a pressure gauge (C) on the gas pressure socket of the pipe coupling.  
The manometer readings are used to calculate MAX. burner power using the tables on page 6.
- Connect two lamps or testers to the two gas line solenoid valves VR and VS, to check the exact moment at which voltage is supplied.  
This operation is unnecessary if each of the two solenoid valves is equipped with a pilot light that signals voltage passing through.

Before starting up the burner, it is good practice to adjust the gas train so that ignition takes place in conditions of maximum safety, i.e. with gas delivery at the minimum.

SERVOMOTOR (D)

The servomotor provides simultaneous adjustment of the air damper, by means of the variable profile cam and the gas butterfly valve. The angle of rotation of the servomotor is equal to the angle on the graduated sector controlling the gas butterfly valve. The servomotor rotates through 90° degrees in 24 seconds. Do not alter the factory setting for the 4 cams; simply check that they are set as indicated below:

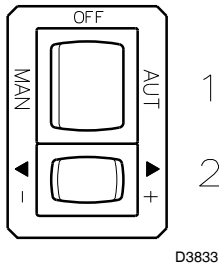
- Cam I** : 90°  
Limits rotation toward maximum position. When the burner is at max output, the gas butterfly valve must be fully open: 90°.
- Cam II** : 0°  
Limits rotation toward the minimum position. When the burner is shut down, the air damper and gas butterfly valve must be closed: 0°.
- Cam III** : 15°  
Adjusts the ignition position and the MIN output.
- Cam IV** : Integral with cam III

BURNER START-UP

Switch off the remote controls and place the switch 1)(E) in position "MAN". As soon as the burner starts, check the direction of rotation of the fan blade, looking through the flame inspection window 17)(A)p.4. Make sure that the lamps or testers connected to the solenoids, or pilot lights on the solenoids themselves, indicate that no voltage is present. If voltage is present, stop the burner immediately and check the electrical connections.

BURNER IGNITION

Having completed the checks indicated in the previous heading, ignition of the burner should be achieved. If the motor starts but the flame does not appear and the control box goes into lockout, reset and wait for a new firing attempt. If ignition is still not achieved, it may be that gas is not reaching the combustion head within the safety time period of 3 seconds. In this case, increase gas ignition delivery. The arrival of gas to the pipe coupling is shown by the pressure gauge (C). Once ignition has taken place, proceed with global calibration operations.



(A)

## BURNER CALIBRATION

The optimum calibration of the burner requires an analysis of the flue gases at the boiler outlet.

Adjust successively:

- 1 - Output upon ignition (minimum)
- 2 - Max. burner output
- 3 - Intermediate outputs between Min. and Max.
- 4 - Air pressure switch
- 5 - Minimum gas pressure switch

## DETERMINATION OF OUTPUT UPON IGNITION (MINIMUM)

According to the regulation EN 676.

### Burners with MAX output up to 120 kW

Ignition can be performed at the maximum operation output level. Example:

- max. operation output : 120 kW
- max. ignition output : 120 kW

### Burners with MAX output above 120 kW

Ignition must be performed at a lower output than the max. operation output.

If ignition output does not exceed 120 kW, no calculations are required. If ignition output exceeds 120 kW, the regulations prescribe that the value be defined according to the control box safety time "ts":

for "ts" = 3s, ignition output must be equal to, or lower than, 1/3 of max. operation output.

### **Example**

MAX operation output of 450 kW.

The ignition output must be equal to, or less than, 150 kW with ts = 3s

In order to measure the ignition output:

- disconnect the plug-socket 24)(A)p.4 on the ionisation probe cable (the burner will fire and then go into lockout after the safety time has elapsed).
- Perform 10 ignitions with consecutive lock-outs.
- Read, on the meter, the quantity of gas burned.

This quantity must be equal to, or lower than, the quantity given by the formula, for ts = 3s:

$$Vg = \frac{Qa \text{ (max. burner output)} \times n \times ts}{3600}$$

**Vg:** volume supplied upon ignitions carried out (Sm<sup>3</sup>)

**Qa:** ignition output (Sm<sup>3</sup>/h)

**n:** number of ignitions (10)

**ts:** safety time (sec)

**Example** for gas G 20 (9.45 kWh/Sm<sup>3</sup>):

ignition output 150 kW

corresponding to 15.87 Sm<sup>3</sup>/h.

After 10 ignitions with lockout, the output indicated on the meter must be equal to, or less than:

$$Vg = \frac{15.87 \times 10 \times 3}{3600} = 0.132 \text{ Sm}^3$$

## 1 - OUTPUT UPON IGNITION (MINIMUM)

Min output must be selected within the firing rate range shown on page 5.

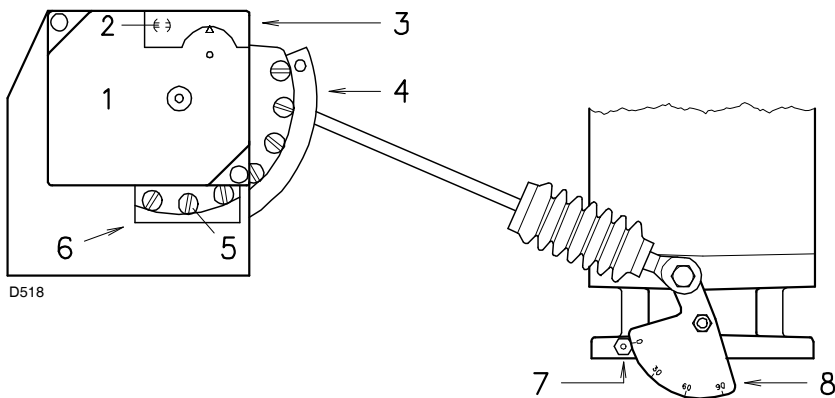
Press the button 2)(A) "output reduction", and keep it pressed until the servomotor has closed the air damper and the gas butterfly valve at 15° (adjustment made in the factory).

### Adjusting gas delivery

Measure the delivery of gas from the gas meter.

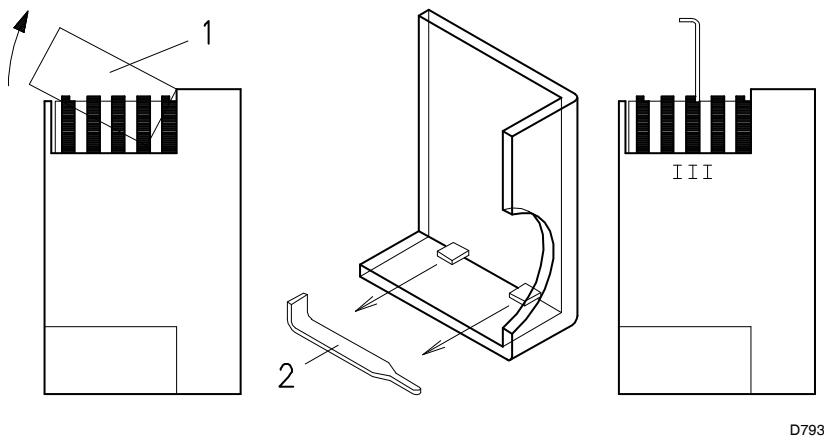
- If it is necessary to reduce it, reduce slightly the angle of cam III fig.(B)p.12 with small, regular movements, i.e. bring it from an angle of 15° to 13° - 11°....
- If it is necessary to increase it, press slightly the button "output increase" 2)(A) (open by 10-15° the gas butterfly valve), increase the angle of cam III fig.(B)p.12 with small, regular movements, i.e. bring it from an angle of 15° to 17° - 19°....

Then press the button "output reduction" until the servomotor is in the position of minimum opening, and measure the gas output.



- |                                     |                                             |
|-------------------------------------|---------------------------------------------|
| 1 Servomotor                        | 5 Screws for adjusting the variable profile |
| 2 ⊖ Constraint / ⊕ Release of cam 4 | 6 Slit to access the screws 5               |
| 3 Cam cover                         | 7 Index of graduated sector 8               |
| 4 Variable profile cam              | 8 Gas butterfly valve graduated sector      |

(A)



(B)

#### NOTE

The servomotor follows the adjustment of cam III only when the angle of the cam is reduced. If it is necessary to increase the angle of the cam, you must first increase the angle of the servomotor by means of the "output increase" key, then increase the angle of cam III, and finally bring the servomotor to the position of MIN output, with the "output reduction" key.

If it is necessary to adjust cam III, remove the cover 1) (inserted with a trigger catch, as indicated in fig. (B)), extract the special key 2) from inside, and insert it in the notch of cam III.

#### Adjustment of air delivery

Progressively adjust the starting profile of cam 4)(A) by turning the screws working through the access hole 6)(A). It is preferable not to turn the first screw since this is used to set the air damper to its fully closed position.

#### 2 - MAX. OUTPUT

Max. output of the burner must be set within the firing rate range shown on page 5.

In the above description, we left the burner switched on, working at MIN output. Now press the button 2)(A)p.11 "output increase", and keep it pressed until the servomotor has opened the air damper and the gas butterfly valve at 90°.

#### Adjusting gas delivery

Measure the delivery of gas from the gas meter. As a general rule, it can be seen from the table on page 6, just read the gas pressure on the pressure gauge, see fig.(C)p.10, and follow the indications given on page 6.

- If delivery needs to be reduced, diminish outlet gas pressure and, if it is already very low, slightly close adjustment valve VR.
- If delivery needs to be increased, increase outlet gas pressure.

#### Adjustment of air delivery

Progressively adjust the end profile of cam 4)(A) by turning the cam adjustment screws as they appear through the access opening 6)(A).

- Turn the screws clockwise to increase air delivery.
- Turn the screws anti-clockwise to reduce air delivery.

#### 3 - INTERMEDIATE OUTPUTS

##### Adjusting gas delivery

No adjustment of gas delivery is required.

##### Adjustment of air delivery

Press the key 2)(A)p.11 "output increase" a little so that a new screw 5)(A) appears in the opening 6)(A). Adjust it until optimal combustion is obtained. Proceed in the same way with the other screws.

Take care that the cam profile variation is progressive.

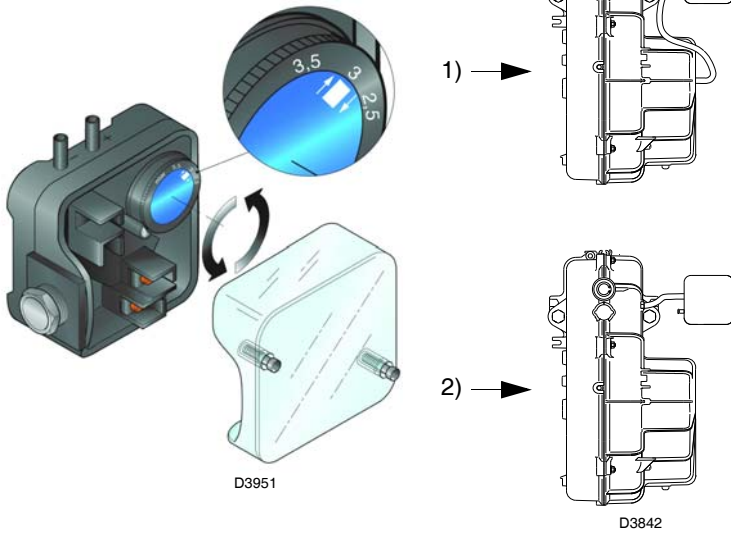
Switch the burner off with the switch 1)(A)p.11. Release the variable profile cam by putting the servomotor slot 2)(A) in a vertical position and check more than once, rotating the cam forward and backward by hand, that the movement is soft and smooth, without sticking.

As far as is possible, try not to move those screws at the ends of the cam that were previously adjusted for the opening of the air damper to MAX and MIN output.

#### NOTE

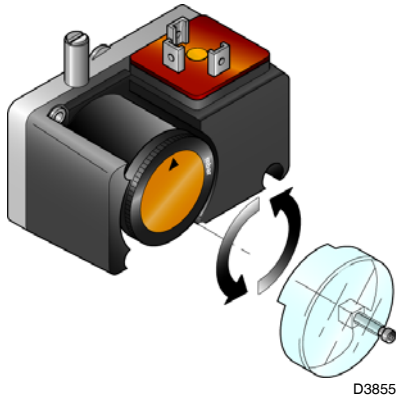
Once you have finished adjusting outputs MAX - MIN - INTERMEDIATE, check ignition once again: noise emission at this stage must be identical to the following stage of operation. If you notice any sign of pulsations, reduce the ignition stage delivery.



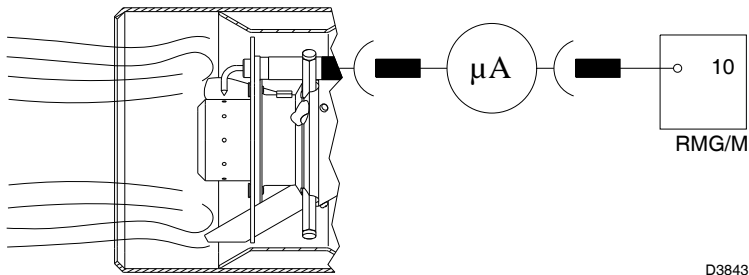


(A)

MINIMUM GAS PRESSURE SWITCH



(B)



(C)

4 - AIR PRESSURE SWITCH (A)

Adjust the air pressure switch after having performed all other burner adjustments with the air pressure switch set to the start of the scale (A).

With the burner working at MIN output, insert a combustion analyser in the stack, slowly close the suction inlet of the fan (for example, with cardboard) until the CO value does not exceed 100 ppm.

Then slowly turn the appropriate knob clockwise until the burner reaches the lockout position.

Check the indication of the arrow pointing upwards on the graduated scale (A). Turn the knob clockwise again, until the value shown on the graduated scale corresponds with the arrow pointing downwards (A), and so recovering the hysteresis of the pressure switch (shown by the white mark on a blue background, between the two arrows).

Now check the correct start-up of the burner.

If the burner locks out again, turn the knob anti-clockwise a little bit more.

The incorporated air pressure switch can work in a "differential" way if connected with two pipes; see 1)(A). If a strong depression in the combustion chamber during the pre-purging phase does not allow the air pressure switch to commute, commutation can be obtained by applying a second tube between the air pressure switch and the suction inlet of the fan. In this way, the pressure switch will work in differential mode.

5 - MINIMUM GAS PRESSURE SWITCH (B)

With the burner operating at MAX output, increase adjustment pressure by slowly turning the relative knob clockwise until the burner locks out.

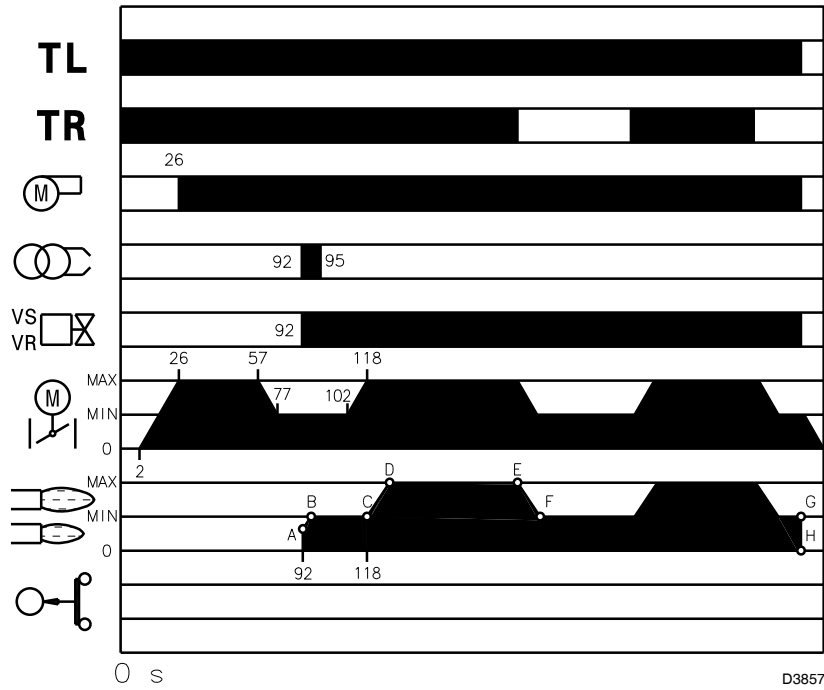
Then turn the knob anti-clockwise by 5mbar and repeat burner starting to ensure it is uniform.

If the burner locks out again, turn the knob anti-clockwise again by 1mbar.

FLAME PRESENCE CHECK (C)

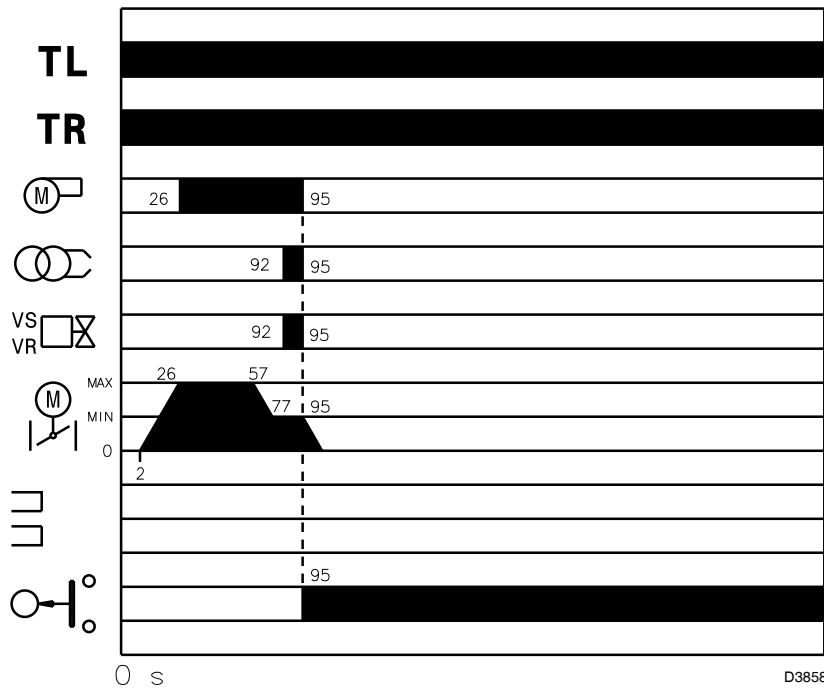
The burner is fitted with an ionisation system which ensures that a flame is present. The minimum current for control box operation is 6 μA. The burner provides a much higher current, so controls are not normally required. However, if it is necessary to measure the ionisation current, disconnect the plug-socket 24)(A)p.4 on the ionisation probe cable and insert a direct current microammeter with a base scale of 100 μA. Carefully check polarities.

**STANDARD IGNITION**  
(n° = seconds from the moment 0)



(A)

**IGNITION FAILURE**



(B)

**BURNER OPERATION**

**BURNER START-UP (A)**

- 0s: Closure of thermostat/pressure switch TL.
- 2s: Start of electrical control box programme. Servomotor starts: rotate to the left by 90°, i.e. until the contact intervenes with cam I (D)p. 10.
- 26s: The air damper arrives to the MAX. output position. The fan motor starts up. Start of the pre-purging phase.
- 57s: The servomotor rotates towards the right, as far as the angle set on cam III (D)p. 10 for MIN. output.
- 77s: The air damper and the gas butterfly valve adopt the MIN output position (with cam III)(D)p.10 at 15°).
- 92s: Ignition electrode strikes a spark. The safety valve VS opens, along with the adjustment valve VR, quick opening. The flame is ignited at a low output level, point A. Delivery is then progressively increased, with the valve VR opening slowly up to MIN. output, point B.
- 94s: The spark goes out.
- 118s: The start-up cycle ends.

**STEADY STATE OPERATION (A)**

**Burner without modulating operation kit**

Once the start-up cycle is completed, the servomotor command moves on to the thermostat/pressure switch TR that controls the pressure or the temperature in the boiler, point C. (The electrical control box still continues to check the presence of the flame and the correct position of the air and gas pressure switches).

- If the temperature or the pressure is low, so the thermostat/pressure switch TR is in the output request position, the burner progressively increases the output up to the MAX value (tract C-D).
- If the temperature or the pressure increases until the commutation of TR, the burner progressively reduces the output up to the MIN value (tract E-F). And so on.
- The burner locks out when demand for heat is less than the heat supplied by the burner at min. output, (section G-H). The thermostat/pressure switch TL opens, and the servomotor returns to the angle 0°. The damper closes completely to reduce thermal dispersions to a minimum.

**Burner with modulating operation kit**

See the handbook enclosed with the regulator.

**IGNITION FAILURE (B)**

If the burner does not switch on, the gas valve goes into lockout within 3s of the opening.

**BURNER FLAME GOES OUT DURING OPERATION**

If the flame goes out by accident during the operation, the burner goes into lockout within 1s.


#### **FINAL CHECKS** (with the burner working):


- disconnect a wire of the minimum gas pressure switch;
- switch on the thermostat/pressure switch TL;
- switch on the thermostat/pressure switch TS; the burner must stop.
- disconnect the air adduction tube of the pressure switch;
- disconnect the wire of the ionisation probe; the burner must stop in lockout.


Make sure that the mechanical locking systems on the various adjustment devices are fully tightened.

---

#### **MAINTENANCE**

 The burner requires periodic maintenance carried out by a qualified and authorised technician **in conformity with legislation and local standards.**

 Periodic maintenance is essential for the reliability of the burner, avoiding the excessive consumption of fuel and consequent pollution.

 Before carrying out any cleaning or control, always switch off the electrical supply to the burner, using the main switch of the system.

#### **Combustion**

The optimum calibration of the burner requires an analysis of the flue gases. Significant differences with respect to the previous measurements indicate the points where more care should be exercised during maintenance.

#### **Gas leaks**

Make sure there are no gas leaks on the pipe-work between the gas meter and the burner.

#### **Gas filter**

Substitute the gas filter when dirty (see train instructions).

#### **Combustion head**

Open the burner and make sure that all components of the combustion head are in good condition, not deformed by the high temperatures, free of impurities from the surroundings and correctly positioned. If in doubt, disassemble the elbow.

#### **Servomotor**

Release the cam 4)(A)p.12, rotating by 90° the notch 2)(A)p.12, and manually check that it rotates smoothly backwards and forwards. Constrain the cam again 4)p.12.

#### **Burner**

Check for excess wear or loose screws in the mechanisms that control the air damper and the gas butterfly valve. In addition, the screws that fix the cables in the terminal board must be blocked, along with the burner sockets.

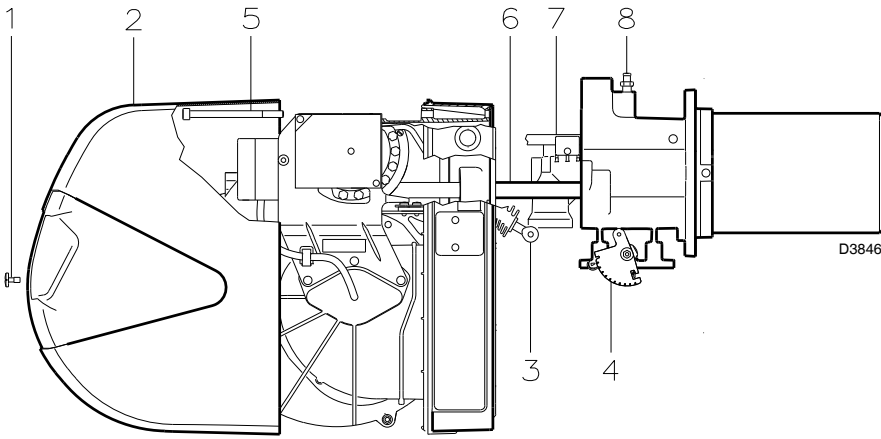
Clean the outside of the burner, taking special care with the transmission joints and cam 4)(A)p.12.

#### **Combustion**

Adjust the burner if the combustion values found at the beginning of the operation do not comply with the regulations in force, or at any rate, do not correspond to good combustion.

Use the appropriate card to record the new combustion values; they will be useful for subsequent controls.

## OPENING THE BURNER



(A)

### TO OPEN THE BURNER (A):

- Switch off the electrical power.
- Remove the screw 1) and pull out the hood 2).
- Disengage the articulated coupling 3) from the graduated sector 4).
- Remove the screw 5) only with the long head models; pull the burner back on the guides 6) for about 100mm. Disconnect the probe and electrode leads and then pull the burner fully back.

Now extract the gas distributor 7) after having removed the screw 8).

Remove the screws 2)(B)p. 7 and tighten the two extensions 25)(A)p.4 supplied with the burner.

Retighten the two screws 2)(B)p.7 on the terminal of the extensions.

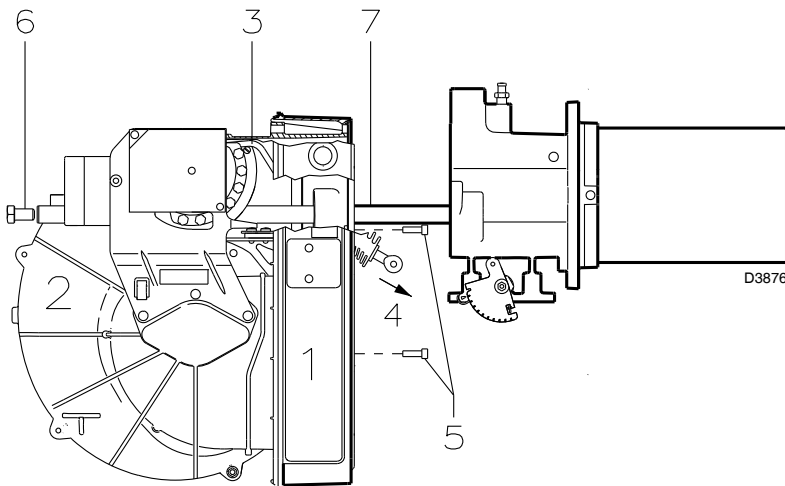


### ATTENTION

Proceed with the assembly of the inner part of the combustion head, tightening the screw 8)(A) with a tightening torque of  $4 \pm 6 \text{ Nm}$ .

### TO CLOSE THE BURNER (A):

- Push the burner up to approximately 100mm from the pipe coupling.
- Reconnect the leads and slide in the burner until it comes to a stop.
- Replace the screw 5) and carefully pull the probe and electrode cables outwards until they are slightly taut.
- Re-couple the articulated coupling 3) to the graduated sector 4).
- In the long head models, unscrew the extensions and reposition them in the appropriate space; tighten the screws to the guides 2)(C)p.7.
- Reposition the hood 2) and fix with the screw 1).



(B)

### SWITCHBOARD MAINTENANCE

If it is necessary to carry out maintenance on the switchboard 1)(B), it is possible to remove only the fan unit 2)(B), to allow improved access to the electrical components.

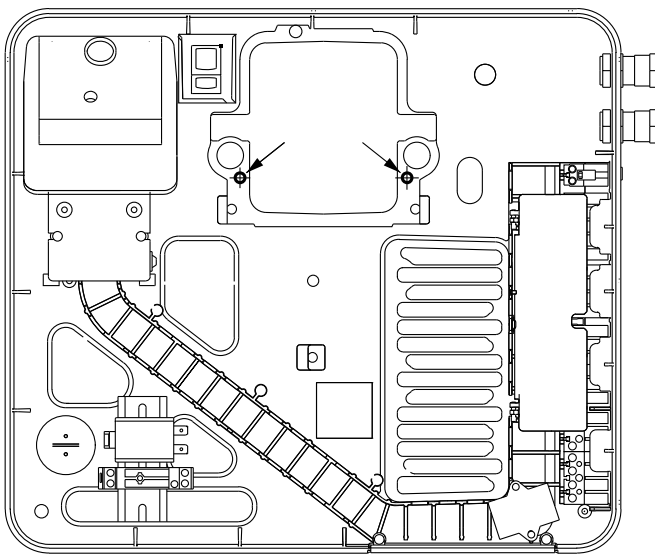
With the burner open as in fig.(A), unhook the tie-rod 3)(B), removing the screw on the variable profile cam, and extract it from the tip 4)(B).

At this point, disconnect the cables relating to the air pressure switch, the servomotor and fan motor.

Remove the 3 screws 5)(B) positioned on the protective cover.

Removing the 2 screws 6)(B), it is possible to unthread the fan unit 2)(B) from the guides 7)(B).

Finally, you can use 2 of the 3 screws 5)(B) to fix the electrical switchboard to the pipe coupling, in the points indicated in fig.(C), and then carry out the maintenance operations.



(C)

D3877

**BURNER START-UP CYCLE DIAGNOSTICS**

During start-up, the indications are explained in the following table:

COLOUR CODE TABLE	
Sequences	Colour code
Pre-purging	● ● ● ● ● ● ● ● ● ●
Ignition phase	● ○ ● ○ ● ○ ● ○ ●
Operation, flame OK	□ □ □ □ □ □ □ □ □ □
Operation with weak flame signal	□ ○ □ ○ □ ○ □ ○ □
Electrical supply lower than ~ 170V	● ▲ ● ▲ ● ▲ ● ▲ ●
Lockout	▲ ▲ ▲ ▲ ▲ ▲ ▲ ▲ ▲
Extraneous light	▲ □ ▲ □ ▲ □ ▲ □ ▲
<b>Key to layout:</b>	○ Off      ● Yellow      □ Green      ▲ Red

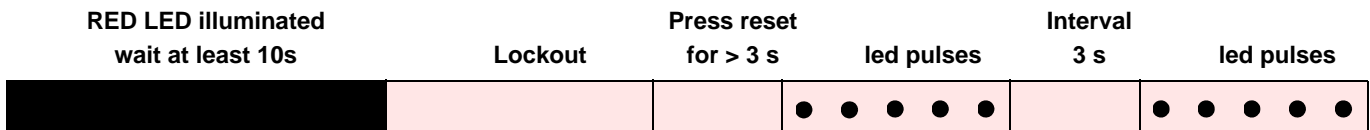
**RESET OF CONTROL BOX AND DIAGNOSTICS USE**

The control box supplied features a diagnostics function, through which any causes of malfunctioning can be easily identified (indicator: **RED LED** signal).

To use this function, wait at least 10 seconds from when the safety condition has been set (**lockout**), then press the reset button.

The control box generates a sequence of led pulses (1 second apart) that is repeated at constant intervals of 3 seconds.

Once the number of LED pulses has been visualised, and the possible cause identified, it is necessary to reset the system, keeping the button pressed for 1-3 seconds.



Below, a list of the possible methodologies for carrying out the resetting of the control box and for using the diagnostics.

**CONTROL BOX RESET**

To reset the control box, proceed as follows:

- Press and hold the button for 1-3 seconds.  
The burner starts up again, 2 seconds after the button is released.
- If the burner does not restart, make sure the limit thermostat is closed.

**VISUAL DIAGNOSTICS**

Indicate the type of burner fault that leads to the lockout.

To display the diagnostic, proceed as follows:

- Keep the button pressed for more than 3 seconds from when the red LED (burner lockout) switches on.  
The end of the operation will be shown by a yellow led pulse.  
Release the button when you see the flashing. The number of flashes indicates the cause of the malfunctioning, on the basis of the code given in the table on page 18.

**SOFTWARE DIAGNOSTICS**

Gives an analysis of the life of the burner, through optical connections with a PC showing the working hours, number and types of lockout, control box serial number etc.

To display the diagnostic, proceed as follows:

- Keep the button pressed for more than 3 seconds from when the red LED (burner lockout) switches on.  
The end of the operation will be shown by a yellow led pulse.  
Release the button for 1 second, then press it again for more than 3 seconds, until you see another yellow flash.  
When you release the button, the red led will flash intermittently with high frequency: only then is it possible to insert the optical connection.

When the operation is completed, it is necessary to reset the start-up condition of the control box, using the reset procedure described above.

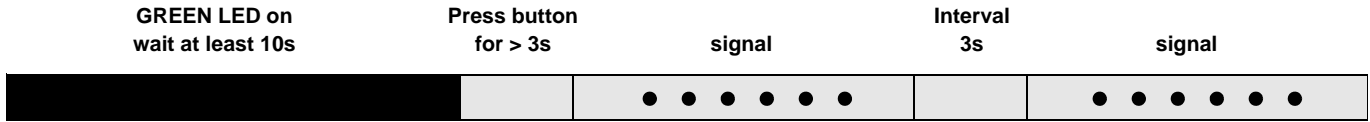
PRESSURE ON THE BUTTON	STATE OF CONTROL BOX
From 1 to 3 seconds	Reset of the control box without visualisation of the visual diagnostics.
More than 3 seconds	Visual diagnostics of the lockout condition: (led flashes at 1 second intervals).
More than 3 seconds, starting from the condition of visual diagnostics	Software diagnostics, with the help of optical interface and PC (possibility to visualise the working hours, irregularities, etc.)

The sequence of led pulses issued by the control box identifies the possible types of fault, which are listed in the table on page 18.

Signal	Problem	Possible cause	Recommended remedy
2 blinks ● ●	Once the pre-purging phase and safety time have passed, the burner goes into lockout without the appearance of the flame	1 - The operation solenoid lets little gas through . . . . . 2 - One of the two solenoid valves does not open. . . . . 3 - Gas pressure too low . . . . . 4 - Ignition electrode incorrectly adjusted . . . . . 5 - Electrode grounded due to broken insulation . . . . . 6 - High voltage cable defective . . . . . 7 - High voltage cable deformed by high temperature . . . . . 8 - Ignition transformer defective. . . . . 9 - Incorrect valve or transformer electrical wiring . . . . . 10 - Defective control box . . . . . 11 - A closed valve upline the gas train . . . . . 12 - Air in pipework . . . . . 13 - Gas valves unconnected or with interrupted coil . . . . .	Increase Replace Increase pressure at governor Adjust, see fig. (D) page 7 Replace Replace Replace and protect Replace Check Replace Open Bleed air Check connections or replace coil
3 blinks ● ● ●	The burner does not switch on, and the lockout appears	14 - Air pressure switch in operating position . . . . .	Adjust or replace
	The burner switches on, but then stops in lockout	- Air pressure switch inoperative due to insufficient air pressure: 15 - Air pressure switch incorrectly adjusted. . . . . 16 - Pressure switch pressure test point pipe blocked . . . . . 17 - Poorly adjusted head . . . . . 18 - High pressure in the furnace . . . . .	Adjust or replace Clean Adjust Connect air pressure switch to fan suction line
	Lockout during pre-purging phase	19 - Defective motor control contactor . . . . . (only three-phase version) 20 - Defective electrical motor. . . . . 21 - Motor lockout (defective electrical motor) . . . . .	Replace Replace Replace
4 pulses ● ● ● ●	The burner switches on, but then stops in lockout	22 - Flame simulation . . . . .	Replace the control box
	Lockout when burner stops	23 - Permanent flame in the combustion head or flame simulation . . . . .	Eliminate persistence of flame or replace control box
6 blinks ● ● ● ● ● ●	The burner switches on, but then stops in lockout	24 - Defective or incorrectly adjusted servomotor. . . . .	Adjust or replace
7 blinks ● ● ● ● ● ● ●	The burner goes into lockout immediately following the appearance of the flame	25 - The operation solenoid lets little gas through . . . . . 26 - Ionisation probe incorrectly adjusted . . . . . 27 - Insufficient ionisation (less than 5 A) . . . . . 28 - Earth probe . . . . . 29 - Burner poorly grounded. . . . . 30 - Phase and neutral connections inverted . . . . . 31 - Defective flame detection circuit . . . . .	Increase Adjust, see fig. (D) page 7 Check probe position Withdraw or replace cable Check grounding Invert them Replace the control box
	Burner locks out when shifting from minimum to maximum output and vice versa	32 - Too much air or too little gas . . . . .	Adjust air and gas
	Burner goes into lockout during operation	33 - Probe or ionisation cable grounded. . . . .	Replace worn parts
10 blinks ● ● ● ● ● ● ● ●	The burner does not switch on, and the lockout appears	34 - Incorrect electrical wiring . . . . .	Check
	The burner goes into lockout	35 - Defective control box . . . . .	Replace
		36 - Presence of electromagnetic disturbances in the thermostat lines 37 - Presence of electromagnetic disturbance . . . . .	Filter or eliminate Use the radio disturbance protection kit
No blink	The burner does not start	38 - No electrical power supply . . . . .	Close all switches - Check connections
		39 - A limiter or safety control device is open . . . . .	Adjust or replace
		40 - Line fuse blocked. . . . .	Replace
		41 - Defective control box . . . . .	Replace
		42 - No gas supply . . . . .	Open the manual valves between contactor and train
	The burner continues to repeat the start-up cycle, without lockout	43 - Mains gas pressure insufficient . . . . .	Contact your GAS COMPANY
		44 - Minimum gas pressure switch fails to close. . . . .	Adjust or replace
		45 - Servomotor fails to move to min. ignition position . . . . .	Replace
		46 - The gas pressure in the gas mains lies very close to the value to which the minimum gas pressure switch has been set. The sudden drop in pressure after valve opening causes temporary opening of the pressure switch itself, the valve immediately closes and the burner comes to a halt. Pressure increases again, the pressure switch closes again and the ignition cycle is repeated. And so on	Reduce the minimum gas pressure switch intervention pressure. Replace the gas filter cartridge.
		Ignition with pulsations	47 - Poorly adjusted head . . . . .
48 - Ignition electrode incorrectly adjusted . . . . . 49 - Incorrectly adjusted fan air damper: too much air . . . . . 50 - Output during ignition phase is too high. . . . .	Adjust, see fig. (D) page 7 Adjust Reduce		
Burner does not reach maximum output	51 - Remote control device TR fails to close. . . . .	Adjust or replace	
	52 - Defective control box . . . . . 53 - Defective servomotor. . . . .	Replace Replace	
Burner stops with air damper open	54 - Defective servomotor . . . . .	Replace	

**NORMAL OPERATION / FLAME DETECTION TIME**

The control box has a further function to guarantee the correct burner operation (signal: **GREEN LED** permanently on).  
 To use this function, wait at least ten seconds from the burner ignition and then press the control box button for a minimum of 3 seconds.  
 After releasing the button, the GREEN LED starts flashing as shown in the figure below.



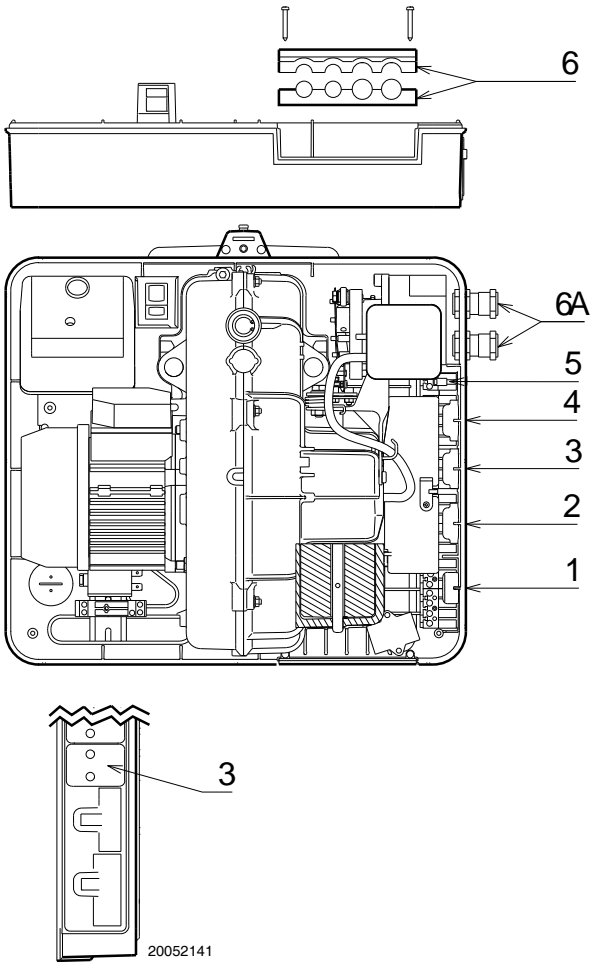
The pulses of the LED constitute a signal spaced by approximately 3 seconds.  
 The number of pulses will measure the probe DETECTION TIME since the opening of gas valves, according to the following table:

SIGNAL	FLAME DETECTION TIME
1 blink ●	0.4s
2 blinks ● ●	0.8s
6 blinks ● ● ● ● ● ●	2.8s

This is updated in every burner start-up.  
 Once read, the burner repeats the start-up cycle by briefly pressing the control box button.  
**WARNING**  
 If the result is > 2s, ignition will be retarded.  
 Check the adjustment of the hydraulic brake of the gas valve, the air damper and the combustion head adjustment.

**KIT INTERFACE ADAPTER RMG TO PC Code 3002719**

## APPENDIX



### Electrical connections



#### NOTES

The electrical wirings must be carried out in conformity with the regulations in force in the countries of destination, and by qualified personnel. Riello S.p.A. cannot accept any responsibility for modifications or connections other than those shown in these diagrams.

Use flexible cables, in accordance with the regulation EN 60 335-1.

All the cables to be connected to the burner must pass through cable grommets.

The use of cable grommets can take various forms; the following way is just one possible solution:

#### RS 34-44/M MZ single-phase

- 1- 7-pole socket for single-phase power supply, thermostat/pressure switch TL
- 2- 6-pole socket for gas valves, gas pressure switch or device for checking the valve seal
- 3- 4-pole socket for thermostat/pressure switch TR (with removable cover)
- 4- 5-pole socket, not used
- 5- 2-pole socket for device enabling the remote reset of the control box
- 6 - 6A Fittings for pipe unions  
(Pierce, if it is necessary to use the pipe unions 6A)

#### RS 44/M MZ three-phase

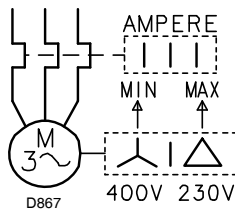
- 1- 7-pole socket for single-phase power supply, thermostat/pressure switch TL
- 2- 6-pole socket for gas valves, gas pressure switch or device for checking the valve seal
- 3- 4-pole socket for thermostat/pressure switch TR (with removable cover)
- 4- 5-pole socket for three-phase power supply
- 5- 2-pole socket for device enabling the remote reset of the control box
- 6 - 6A Fittings for pipe unions  
(Pierce, if it is necessary to use the pipe unions 6A)



The socket cover must only be removed when the 4-pole socket is in use.

When the 4-pole socket is not in use the cover must be in place.

The manufacturer furthermore declines any and every responsibility for the failure to observe the contents of this manual.



### ADJUSTMENT OF THERMAL CUTOUT (RS 44/M MZ THREE-PHASE)

Used to avoid the burning of the motor owing to a strong increase in the absorption, caused by the lack of a phase.

- If the motor is star-driven, **400V**, the cursor must be positioned on "MIN".
  - If it is delta-driven, **230V**, the cursor is positioned on "MAX".
- If the scale of the thermal cutout does not include the absorption of rating of the motor at 400V, the protection is guaranteed anyway.



## NOTES

- The model RS 44/M MZ three-phase leaves the factory with an electrical supply setting of **400V**. If **230V** power supply is used, change the motor connection from star to delta and change the setting of the thermal cutout as well.
- The burners RS 34-44/M MZ have been approved for intermittent operation. This means they should be compulsorily stopped at least once every 24 hours to enable the control box to perform a check of its own efficiency at start-up. Normally, the stopping of the burner is guaranteed by the boiler's thermostat/pressure switch. If this is not the case, a time switch should be fitted in series to IN to provide for burner shut-down at least once every 24 hours.
- The burners RS 34-44/M MZ leave the factory set for two-phase operation, so the thermostat/pressure switch TR must be connected. If you want the burner to work with single-phase operation, insert (in place of the thermostat/pressure switch TR) a bridge between the terminals T6 - T7 of the plug X4.

### MODULATING OPERATION

If the output power regulator kit RWF40 or the converter 0...10V / 4...20mA is connected, in 3-point signal, the thermostat/pressure switch TR must be removed (if the 4-pole socket becomes unhooked, apply the supplied cover).

Using just the regulator RWF 40 also remove the TL thermostat/pressure switch.



#### ATTENTION:

- Do not invert the neutral with the phase in the electrical supply line. An inversion would lead to lockout due to ignition failure.
- Replace the components only with original spare parts.



## DECLARACIÓN DE CONFORMIDAD A.R. 8/01/2004 & 17/07/2009 – Bélgica

Productor: RIELLO S.p.A.  
I - 37045 Legnago (VR)  
Tel. +39.0442.630111

Puesto en circulación por: RIELLO NV  
Ninovesteenweg 198  
9320 Erembodegem  
Tel. (053) 769 030  
Fax. (053) 789 440  
e-mail. info@riello.be  
URL. www.riello.be

Con la presente se certifica que la serie especificada a continuación es conforme al modelo tipo descrito en la declaración de conformidad CE, y ha sido producida y puesta en circulación de acuerdo con las exigencias definidas en al D.L. del 8 de enero 2004 y 17 Julio 2009.

Tipo de producto: Quemador de gas con aire soplado

		Modelo	
		874 T	875 T
		RS 34/M MZ	RS 44/M MZ
Valores medidos *	media NOx (mg/kWh)	103	89
	CO máx (mg/kWh)	7	2

\* Funcionamiento con gas natural (Fam. 2)

Norma aplicada: EN 676 y A.R. del 8 de enero de 2004 - 17 Julio 2009

Organismo de control: TÜV SÜD Industrie Service GmbH  
Ridlerstrasse, 65  
80339 Munchen DEUTSCHLAND

### Declaración del fabricante

RIELLO S.p.A. declara que los siguientes productos respetan los valores límite de emisión de los NOx impuestos por la legislación alemana "1. BImSchV versión 26.01.2010".

Producto	Tipo	Modelo	Potencia
Quemador de gas con aire soplado	875 T	RS 44/M MZ	80 - 550 kW

Legnago, 02.01.2012

Ing. G. Conticini  
Dirección División Quemadores  
RIELLO S.p.A.



- El quemador **posee la marca CE** y es conforme a los requisitos fundamentales de las siguientes Directivas:
  - CE Reg. N.: **0085BR0378** según 90/396/CEE;
  - Directiva Compatibilidad Electromagnética 2004/108/CE;
  - Directiva Baja Tensión 2006/95/CE;
  - Directiva Máquinas 2006/42/CEE;
- Grado de protección de los quemadores IP 40 según EN 60529.

## IDENTIFICACIÓN

La Placa de identificación del producto indica el número de matrícula, el modelo y los datos principales técnicos y prestacionales. La alteración, eliminación o la falta de la placa de identificación no permite su correcta identificación y dificulta los trabajos de instalación y mantenimiento.

## ADVERTENCIAS GENERALES

Para garantizar una combustión con la mínima cantidad de emisiones contaminantes, las medidas y el tipo de cámara de combustión del generador de calor deben corresponder a valores bien definidos. Por consiguiente se aconseja consultar al Servicio Técnico de Asistencia antes de escoger este tipo de quemador para montarlo en una caldera.

El personal cualificado es el que cumple los requisitos técnico-profesionales indicados en la ley 5 marzo 1990 n° 46. La organización comercial dispone de una amplia red de agencias y servicios técnicos cuyo personal participa periódicamente en cursos de instrucción y actualización en el Centro de Formación de la empresa.

Este quemador está destinado para el uso para el que ha sido expresamente fabricado.

El constructor excluye cualquier responsabilidad contractual o extracontractual por daños causados a personas, animales o cosas por errores en la instalación y calibrado del quemador, por un uso impropio del mismo, erróneo o irracional, por el incumplimiento del manual de instrucciones suministrado en dotación con el mismo quemador y por la intervención de personal no cualificado.

## INFORMACIONES PARA EL USUARIO

Si se verificaran irregularidades de encendido o de funcionamiento, el quemador efectuará una “parada de seguridad”, identificada con la señal roja de bloqueo del quemador. Para restablecer las condiciones de arranque, hay que oprimir el botón de desbloqueo. Cuando el quemador arranca, la luz roja se apaga.


Dicha operación se puede repetir 3 veces como máximo. Si las “paradas de seguridad” fueran frecuentes, hay que contactar al Servicio Técnico de Asistencia.

## REGLAS FUNDAMENTALES DE SEGURIDAD

- Está prohibido que niños o personas inexpertas usen el aparato.
- Está prohibido tapar con trapos, papeles o demás las rejillas de aspiración o de disipación y la ventilación del local donde está instalado el aparato.
- Está prohibido que personal no autorizado trate de reparar el aparato.
- Es peligroso tirar de los cables eléctricos o retorcerlos.
- Está prohibido limpiar el aparato antes de haberlo desconectado de la alimentación eléctrica.
- No limpiar el quemador ni sus componentes con sustancias inflamables (ej. gasolina, alcohol, etc.). El cuerpo se debe limpiar sólo con agua con jabón.
- No apoyar objetos sobre el quemador.
- No dejar envases ni sustancias inflamables en el local donde está instalado el aparato.

En algunas partes del manual se utilizan los símbolos:

 **ATENCIÓN** = para acciones que requieren un particular cuidado y una adecuada preparación.

 **PROHIBIDO** = para acciones que **NO DEBEN** ser efectuadas.

**DATOS TÉCNICOS** ..... página 2  
Versiones constructivas .....2  
Accesorios ..... 3  
Descripción del quemador .....4  
Embalaje - Peso .....4  
Dimensiones .....4  
Forma de suministro .....4  
Campos de trabajo .....5  
Caldera de prueba .....5  
Calderas comerciales .....5  
Presión del gas .....6

**INSTALACIÓN** .....7  
Posición de funcionamiento .....7  
Placa de caldera .....7  
Longitud tubo llama .....7  
Fijación del quemador a la caldera .....7  
Regulación del cabezal de combustión .....8  
Línea alimentación de gas .....9  
Regulaciones previa al encendido .....10  
Servomotor .....10  
Puesta en marcha del quemador .....10  
Encendido del quemador .....10  
Regulación del quemador: .....11  
Determinación de la potencia de encendido .....11  
1 - Potencia de encendido MIN .....11  
2 - Potencia MÁX .....12  
3 - Potencias intermedias .....12  
4 - Presostato aire .....13  
5 - Presostato gas de mínima .....13  
Control presencia llama .....13  
Funcionamiento del quemador .....14  
Controles finales .....15  
Mantenimiento .....15  
Mantenimiento cuadro eléctrico .....16  
Anomalía - Causa Probable - Solución .....18  
Funcionamiento normal / tiempo de detección llama .....19

**Apéndice** .....20  
Esquema cuadro eléctrico .....22

**Nota**

Las figuras que se mencionan en el texto se identifican del modo siguiente:

- 1)(A) =Detalle 1 de la figura A, en la misma página que el texto;
- 1)(A)p.3 =Detalle 1 de la figura A, página N° 3.

**INFORMACIONES SOBRE EL MANUAL DE INSTRUCCIÓN**

**INTRODUCCIÓN**

- El manual de instrucción suministrado juntamente al quemador:
- constituye parte integrante y fundamental del producto y no se debe separar del quemador; por lo tanto debe conservarse con cuidado para toda necesidad de consulta y debe acompañar al quemador incluso en caso de entregarse a otro propietario o usuario, o en caso de transferencia a otra instalación. En caso de daño o extravío debe solicitarse otro ejemplar al Servicio Técnico de Asistencia **RIELLO** de la Zona;
  - fue realizado para que solo el personal calificado lo use;
  - suministra importantes indicaciones y advertencias sobre la seguridad de la instalación, la puesta en funcionamiento, el uso y el mantenimiento del quemador.

**ENTREGA DE LA INSTALACIÓN Y DEL MANUAL DE INSTRUCCIÓN**

- Cuando se entrega la instalación es necesario que:
- El manual de instrucción sea entregado por el proveedor de la instalación al usuario, con la advertencia de que dicho manual debe ser conservado en el local de la instalación del generador de calor.
  - En el manual de instrucción figuran:
    - el número de matrícula del quemador;

.....
-------

- la dirección y el número de teléfono del Centro de Asistencia más cercano;

.....
.....
.....

- El proveedor de la instalación informe con precisión al usuario acerca de:
    - el uso de la instalación,
    - eventuales pruebas adicionales necesarias que se deben realizar antes de la activación de la instalación,
    - el mantenimiento y la necesidad de controlar la instalación como mínimo una vez al año por parte de un encargado de la Empresa Fabricante o de otro técnico especializado.
- Para garantizar un control periódico, **RIELLO** se recomienda estipular un Contrato de Mantenimiento.

# DATOS TÉCNICOS

E

MODELO		RS 34/M MZ		RS 44/M MZ		RS 44/M MZ	
TIPO		874 T		875 T		875 T	
POTENCIA (1)	MAX.	kW Mcal/h	125 - 390 108 - 336	203 - 550 175 - 473	203 - 550 175 - 473	203 - 550 175 - 473	203 - 550 175 - 473
	MIN.	kW Mcal/h	45 39	80 69	80 69	80 69	80 69
COMBUSTIBLE		GAS NATURAL: G20 - G21 - G22 - G23 - G25					
		G20	G25	G20	G25	G20	G25
- poder calorífico inferior	kWh/Sm <sup>3</sup> Mcal/Sm <sup>3</sup>	9,45 8,2	8,13 7,0	9,45 8,2	8,13 7,0	9,45 8,2	8,13 7,0
- densidad absoluta	kg/Sm <sup>3</sup>	0,71	0,78	0,71	0,78	0,71	0,78
- caudal máximo	Sm <sup>3</sup> /h	41	48	58	67,6	58	67,6
- presión al máximo caudal (2)	mbar	13,1	18,4	16,7	23,2	16,7	23,2
FUNCIONAMIENTO		<ul style="list-style-type: none"> <li>Intermitente (mín. 1 paro en 24 horas).</li> <li>Dos llamas progresivas o modulante con el kit (ver ACCESORIOS).</li> </ul>					
UTILIZACIÓN ESTÁNDAR		Calderas: de agua, a vapor y aceite diatérmico					
TEMPERATURA AMBIENTE	°C	0 - 40					
TEMPERATURA AIRE COMBURENTE	°C max	60					
ALIMENTACIÓN ELÉCTRICA	V Hz	230 ~ +/- 10% 50/60 - monofásica				230 - 400 com neutro ~ +/- 10% 50/60 - trifásica	
MOTOR ELÉCTRICO	rpm W V	2800 300 220 - 240		2800 420 220 - 240		2780 450 220/240-380/415	
CORRIENTE DE ARRANQUE	A	15		17		14 - 10	
CORRIENTE DE FUNCIONAMIENTO	A	3,2		3,5		2 - 1,4	
CONDENSADOR MOTOR	µF/V	12,5/260		12,5/420		-	
TRANSFORMADOR DE ENCENDIDO	V1 - V2 I1 - I2	230 V - 1 x 15 kV 1 A - 25 mA					
POTENCIA ELÉCTRICA ABSORBIDA	W max	600		700		750	
NIVEL SONORO (3)	PRESIÓN SONORA POTENCIA SONORA	dBA	68 79	70 81		70 81	
HOMOLOGACIÓN	CE	0085BR0378		0085BR0378		0085BR0378	

(1) Condiciones de referencia: Temperatura ambiente 20°C - Temperatura gas 15°C - Presión barométrica 1013 mbar - Altitud sobre el nivel del mar 0 m.

(2) Presión en la toma 7)(A)p.4 con presión cero en la cámara de combustión.

(3) Pruebas de emisiones sonoras realizadas de acuerdo con la Normativa EN 15036-1, con exactitud de medida  $\sigma = \pm 1,5$  dB, en el laboratorio de combustión del fabricante con quemador que funciona a máxima potencia en la caldera de prueba.

## VERSIONES CONSTRUCTIVAS

MODELO	ALIMENTACIÓN ELÉCTRICA	LONGITUD TUBO LLAMA mm
RS 34/M MZ	monofásico	216
	monofásico	351
RS 44/M MZ	monofásico	216
	monofásico	351
	trifásico	216
	trifásico	351

## CATEGORÍAS GAS

PAÍS	CATEGORÍA
IT - AT - GR - DK - FI - SE	II <sub>2</sub> H3B/P
ES - GB - IE - PT	II <sub>2</sub> H3P
NL	II <sub>2</sub> L3B/P
FR	II <sub>2</sub> E <sub>r</sub> 3P
DE	II <sub>2</sub> ELL3B/P
BE	I <sub>2</sub> E(R)B, I <sub>3</sub> P
LU	II <sub>2</sub> E 3B/P

## ACCESORIOS (suministro bajo demanda):

### • KIT PROTECCIÓN CONTRA LAS INTERFERENCIAS RADIO

En caso de instalar el quemador en ambientes especiales expuestos a interferencias radio (emisión de señales de más de 10 V/m) debido a la presencia de INVERTER o en aplicaciones donde las conexiones del termostato superan los 20 metros de longitud, se encuentra disponible un kit de protección como interfaz entre la caja de control y el quemador.

<b>QUEMADOR</b>	<b>RS 34-44/M MZ</b>
Código	3010386

### • KIT CABEZAL LARGO

<b>QUEMADOR</b>	<b>RS 34/M MZ</b>	<b>RS 44/M MZ</b>
Código	3010428	3010429

• **KIT PARA FUNCIONAMIENTO CON GLP:** el kit permite que los quemadores RS 34-44/M MZ funcionen con GPL.

<b>QUEMADOR</b>	<b>RS 34/M MZ</b>	<b>RS 44/M MZ</b>
Potencia kW	80/125 - 390 kW	120/200 - 530 kW
Longitud tubo llama mm	216 - 351	216 - 351
Código	3010423	3010424

### • KIT PARA FUNCIONAMIENTO MODULANTE

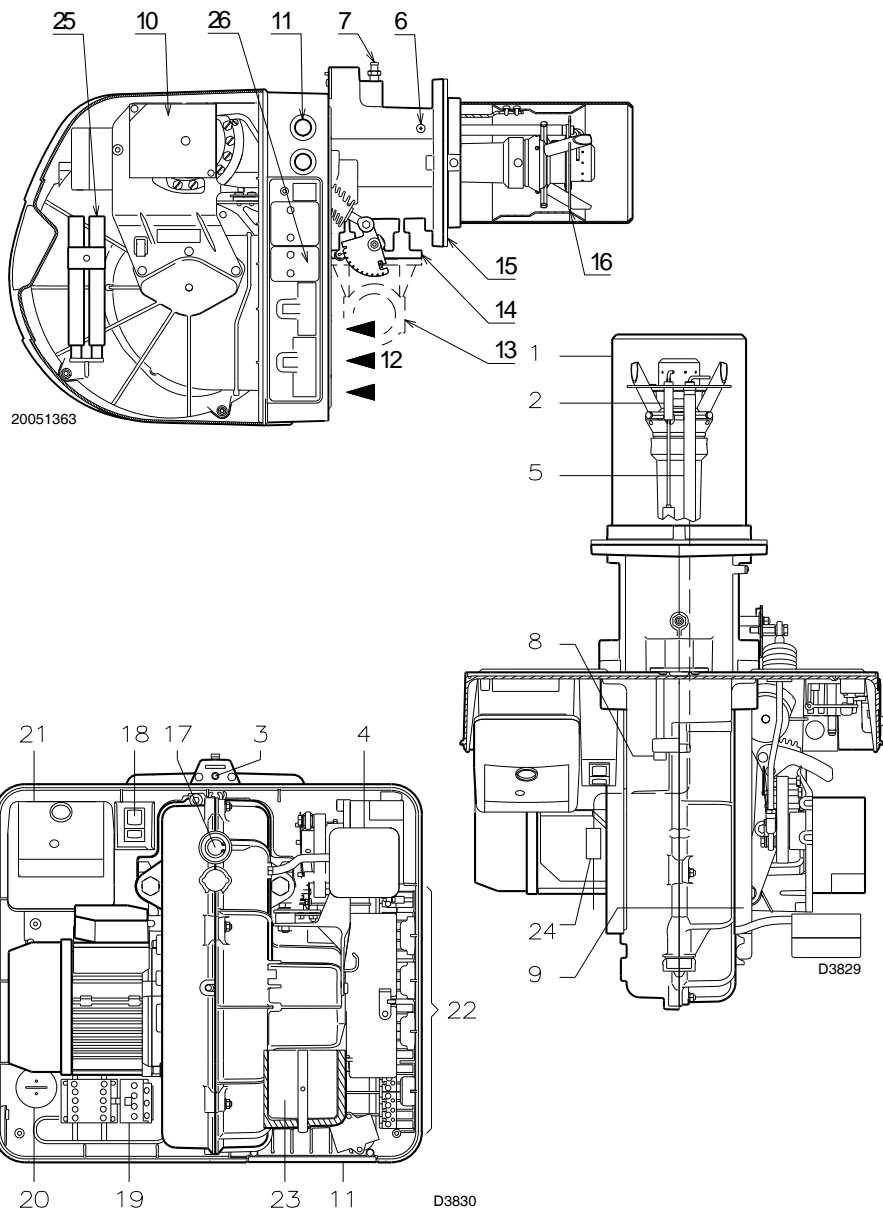
<b>KIT REGULADOR DE POTENCIA RWF40</b>				<b>KIT REGULADOR DE POTENCIA CON SENAL 4-20 mA, 0-10V</b>					
Hay que pedir dos componentes: • El regulador de potencia, que se instala en el quemador; • la Sonda que se debe instalar en el generador de calor				Hay que pedir dos componentes: • el Convertidor de señal analógico; • el Potenciómetro					
Parámetro a controlar		Sonda		Regulador de potencia		Potenciómetro		Convertidor de señal analógico	
	Campo de regulación	Tipo	Código	Tipo	Código	Tipo	Código	Tipo	Código
Temperatura	- 100...+500°C	PT 100	3010110	RWF40	3010417	ASZ...	3010420	E5202	3010410
Presión	0...2,5 bar 0...16 bar	Sonda con salida 4...20 mA	3010213 3010214						

• <b>KIT POTENCIOMETRO PARA INDICACION POSICIÓN DE CARGA</b>	Cód. 3010420
• <b>PRESOSTATO GAS DE MAXIMA</b>	Cód. 3010418
• <b>KIT CONTACTOS PULIDOS</b>	Cód. 3010419
• <b>KIT POSTVENTILACIÓN</b>	Cód. 3010451

• <b>KIT INTERRUPTOR DIFERENCIAL</b>	Cód. 3010448
• <b>KIT VENTILACIÓN CONTINUA</b>	Cód. 3010449
• <b>KIT CUENTAHORAS</b>	Cód. 3010450
• <b>KIT INTERFACE ADAPTER RMG TO PC</b>	Cód. 3002719

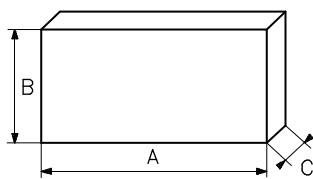
• **RAMPA DE GAS QUE SE DEBE COMBINAR CON EL QUEMADOR SEGÚN LA NORMA EN 676 (con válvulas, regulador de presión y filtro):** véase página 9.

**NOTA:** El instalador es responsable de la eventual incorporación de dispositivos de seguridad no previstos en este manual.

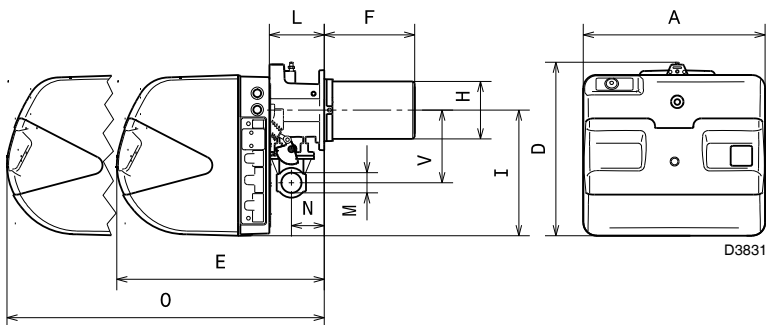


(A)

mm	A	B	C	kg
RS 34/M MZ	1000	500	485	32
RS 44/M MZ	1000	500	485	33



(B)



(C)

mm	A	D	E	F <sup>(1)</sup>	H	I	L	O	N	V	M
RS 34/M MZ	442	422	508	216-351	140	305	138	780	84	177	1"1/2
RS 44/M MZ	442	422	508	216-351	152	305	138	780	84	177	1"1/2

(1) Tubo de llama: corto-largo

## DESCRIPCIÓN DEL QUEMADOR (A)

- 1 Cabezal de combustión
- 2 Electrodo de encendido
- 3 Tornillo regulación cabezal de combustión
- 4 Presostato de aire (tipo diferencial)
- 5 Sonda para controlar la presencia de llama
- 6 Toma de presión de aire
- 7 Toma de presión de gas y tornillo fijación cabezal
- 8 Tornillo fijación del ventilador al soporte quemador
- 9 Guías para abertura del quemador e inspección del cabezal de combustión
- 10 Servomotor, para el control de la válvula de mariposa del gas y, mediante una leva de perfil variable, el registro del aire. Cuando el quemador está parado, el registro del aire está completamente cerrado para reducir al mínimo la dispersión térmica de la caldera debido al tipo del conducto de humos que toma aire de la boca de aspiración del ventilador.
- 11 Zonas de paso de los cables eléctricos
- 12 Entrada aire del ventilador
- 13 Conducto entrada gas
- 14 Válvula mariposa gas
- 15 Brida para fijación a la caldera
- 16 Disco estabilizador de llama
- 17 Visor llama
- 18 Un interruptor para funcionamiento: automático - manual - paro  
Un pulsador para: aumento - disminución de potencia
- 19 Contador motor y relé térmico con botón de desbloqueo (RS 44/M MZ trifásica)
- 20 Condensador motor (RS 34-44/M MZ monofásico)
- 21 Caja de control con piloto luminoso de bloqueo y pulsador de desbloqueo
- 22 Tomas para la conexión eléctrica
- 23 Registro de aire
- 24 Conector macho-hembra cable sonda de ionización
- 25 Alargadores guías (versión cabezal largo)
- 26 Cubierta para conector hembra de 4 contactos (véase apéndice cuadro eléctrico)

Hay dos posibilidades de bloqueo del quemador:

### • BLOQUEO CAJA DE CONTROL:

La iluminación del pulsador de la caja de control 21)(A) indica que el quemador está bloqueado.

Para desbloquear, oprimir el pulsador.

- **BLOQUEO MOTOR (RS 44/M MZ trifásica):** alimentación eléctrica trifásica; para desbloquear, oprimir el pulsador del relé térmico 19)(A).

## EMBALAJE - PESO (B) - medidas aproximadas

- Los quemadores se expiden en embalaje de cartón, cuyas dimensiones se especifican en la tabla (B).
- El peso del quemador completo con embalaje se indica en la tabla (B).

## DIMENSIONES MÁXIMAS (C) - medidas aproximadas

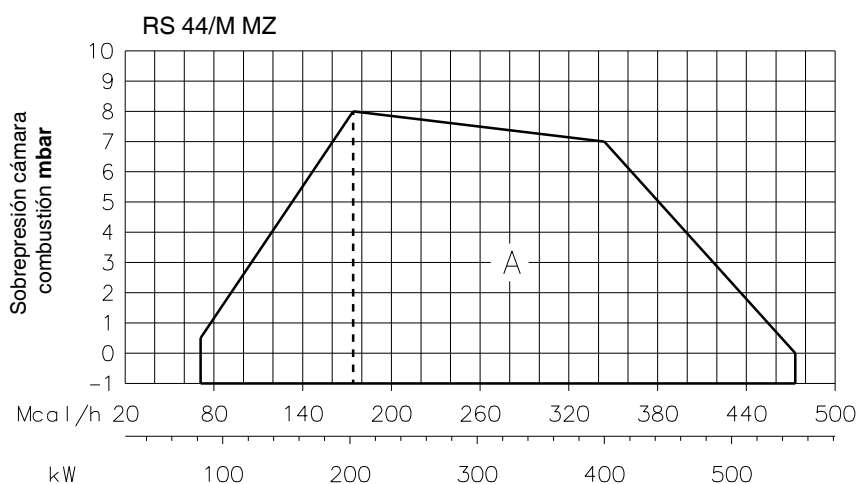
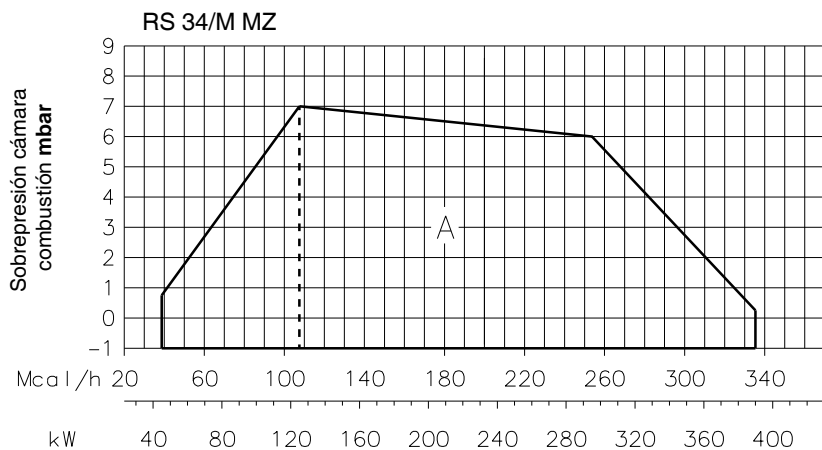
Las dimensiones máximas del quemador se indican en (C).

Tener en cuenta que para inspeccionar el cabezal de combustión el quemador se debe desplazar hacia atrás.

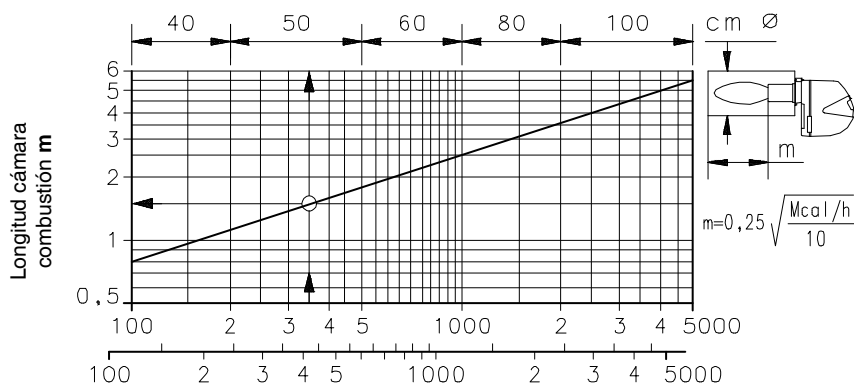
## FORMA DE SUMINISTRO

- 1 - Brida conexión rampa de gas
- 1 - Junta brida
- 4 - Tornillos M 8 x 25 fijación brida
- 4 - Tornillos para fijar la brida del quemador a la caldera M 8 x 25
- 1 - Junta aislante
- 3 - Conectores para el cable de conexión (RS 34-44/M MZ monofásico)
- 4 - Conectores para el cable de conexión (RS 44/M MZ trifásico)
- 1 - Instrucciones
- 1 - Lista de recambios





**(A)** D9304



**(B)** D497

### CAMPOS DE TRABAJO (A)

Durante el funcionamiento, la potencia del quemador varía entre:

- una **POTENCIA MÁXIMA**, situada en la zona A,
- y una **POTENCIA MÍNIMA**, que no debe ser inferior al límite mínimo del gráfico:

RS 34/M MZ = 45 kW

RS 44/M MZ = 80 kW

### Atención

El CAMPO DE TRABAJO se ha calculado considerando una temperatura ambiente de 20°C, una presión barométrica de 1013 mbar (aprox. 0 metros sobre el nivel del mar) y con el cabezal de combustión regulado como se indica en la página 8.

### CALDERA DE PRUEBA (B)

Los campos de trabajo se han obtenido con calderas de prueba especiales, según la norma EN 676.

En la figura (B) se indica el diámetro y longitud de la cámara de combustión de prueba.

### Ejemplo:

Potencia: 350 Mcal/h

diámetro 50 cm - longitud 1,5 m.

### CALDERAS COMERCIALES

En el acoplamiento quemador-caldera no hay ningún problema si la caldera tiene la homologación CE y si las dimensiones de la cámara de combustión se aproximan a las indicadas en el gráfico (B).

Si por el contrario el quemador debe instalarse en una caldera comercial no homologada CE o con dimensiones de cámara de combustión mucho más pequeñas que las indicadas en el gráfico (B), se debe consultar al fabricante.

Además, para calderas de inversión es aconsejable controlar la longitud de cabezal de combustión tal como prescribe el constructor de la caldera.

**RS 34/M MZ**

$\Delta p$  (mbar)

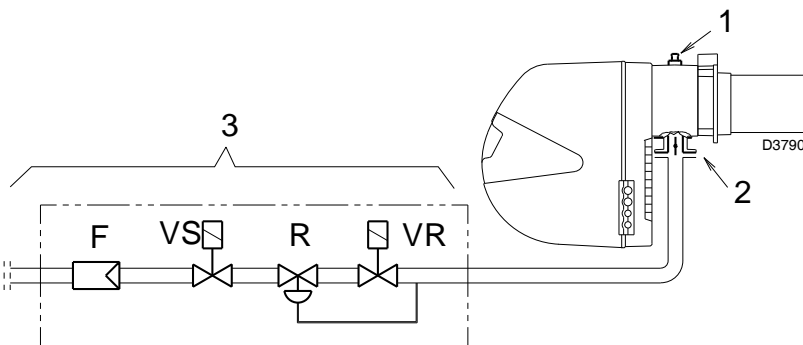
kW	1	2	3				
			MB 407 S2 (Rp 3/4")	MB 410 S2 (Rp 1")	MB 412 S2 (Rp 1.1/4")	MB 415 S2 (Rp 1.1/2")	MB 420 S2 (Rp 2")
130	1,5	0,1	8,6	4,4	2,3	--	--
140	2,0	0,1	9,7	5,0	2,6	--	--
160	2,9	0,1	12,3	6,2	3,2	--	--
180	3,8	0,2	15,1	7,6	3,8	--	--
200	4,6	0,2	18,1	9,0	4,5	--	--
220	5,5	0,3	21,2	10,6	5,3	--	--
240	6,4	0,3	24,6	12,3	6,1	3,2	--
260	7,3	0,4	28,2	14,1	6,9	3,5	--
280	8,2	0,4	32,3	16,0	7,8	3,9	--
300	9,1	0,5	36,6	18,0	8,7	4,3	--
320	10,0	0,5	41,2	20,0	9,6	4,7	3,2
340	10,9	0,6	45,6	22,0	10,7	5,1	3,3
360	11,8	0,7	50,2	23,9	11,8	5,6	3,5
380	12,7	0,8	54,9	26,0	13,0	6,0	3,8
390	13,1	0,8	57,4	27,0	13,5	6,3	4,0

**RS 44/M MZ**

$\Delta p$  (mbar)

kW	1	2	3					
			MB 407 S2 (Rp 3/4")	MB 407 S5 (Rp 3/4")	MB 410 S2 (Rp 1.1/4")	MB 412 S2 (Rp 1.1/4")	MB 415 S2 (Rp 1.1/2")	MB 420 S2 (Rp 2")
200	3,0	0,2	18,1	18,1	9,0	4,5	--	--
225	4,0	0,3	22,1	22,1	11,0	5,5	3,2	--
250	4,9	0,3	26,4	26,4	13,2	6,5	3,3	--
275	5,9	0,4	31,3	31,3	15,5	7,6	3,8	--
300	6,9	0,5	36,6	36,6	18,0	8,7	4,3	--
325	7,9	0,6	42,2	42,2	20,5	9,9	4,8	3,2
350	8,9	0,6	47,8	47,8	22,9	11,2	5,4	3,4
375	9,8	0,7	53,7	53,7	25,4	12,7	5,9	3,8
400	10,8	0,8		59,9	28,1	14,0	6,5	4,1
425	11,8	1,0		66,4	30,8	15,4	7,1	4,5
450	12,8	1,1		73,2	33,6	16,8	7,7	4,9
475	13,8	1,2		80,3	36,5	18,3	8,3	5,3
500	14,7	1,3		87,6	39,5	19,8	9,0	5,7
525	15,7	1,5		95,1	42,6	21,4	9,6	6,1
550	16,7	1,6		103,0	45,8	23,1	10,2	6,6

(A)



(B)

**PRESIÓN DEL GAS**

Las tablas que hay al margen indican las pérdidas de carga mínimas de la línea de alimentación de gas en función de la potencia máxima del quemador.

Columna 1

Pérdida de carga cabezal de combustión. Presión del gas en la toma 1)(B), con cámara de combustión a 0 mbar.

Columna 2

Pérdida de carga registro mariposa gas 2)(B) con abertura máxima: 90°.

Columna 3

Pérdida de carga rampa de gas 3)(B) comprende: válvula de regulación VR, válvula de seguridad VS (ambas con la máxima abertura), regulador de presión R, filtro F.

Los valores indicados en las tablas se refieren a: gas natural G 20 PCI 9,45 kWh/Sm<sup>3</sup>

(8,2 Mcal/Sm<sup>3</sup>)

Con:

gas natural G 25 PCI 8,13 kWh/Sm<sup>3</sup>

(7,0 Mcal/Sm<sup>3</sup>)

multiplicar los valores de la tabla:

- columna 1-2: por 1,5;

- columna 3: por 1,35.

Para conocer la potencia MÁX aproximada a la que está funcionando el quemador:

- Restar a la presión del gas en la toma 1)(B) la presión de la cámara de combustión.
- Hallar en la tabla relativa al quemador que se considere, el valor de presión más cercano al resultado obtenido en la resta.
- Leer a la izquierda la potencia correspondiente.

**Ejemplo - RS 34/M MZ:**

- Funcionamiento a la MÁX potencia
  - Gas natural G 20 PCI 9,45 kWh/Sm<sup>3</sup>
  - Presión de gas en la toma 1)(B) = 9,3 mbar
  - Presión en la cámara de combustión = 2 mbar
- 9,3 - 2 = 7,3 mbar

A la presión de 9,3 mbar, columna 1, corresponde en la tabla RS 34/M MZ una potencia de 260 kW.

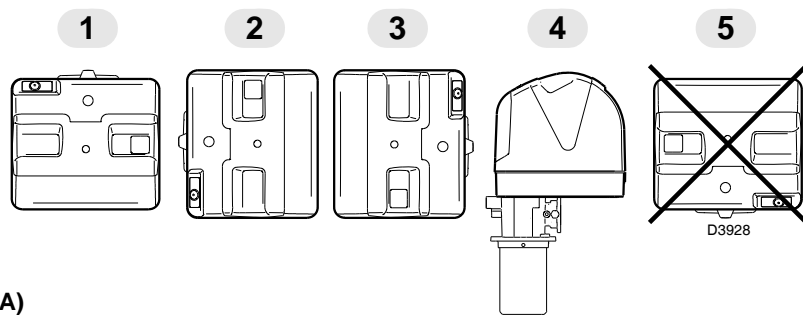
Este valor sirve como primera aproximación; el real se determinará a través del contador.

En cambio, para conocer la presión de gas necesaria en la toma 1)(B), una vez fijada la potencia MÁX a la que se desea que funcione el quemador:

- Hallar la potencia más cercana al valor deseado, en la tabla relativa al quemador que se considere.
- Leer a la derecha, columna 1, la presión en la toma 1)(B).
- Sumar a este valor la sobrepresión estimada de la cámara de combustión.

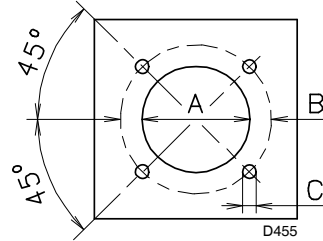
**Ejemplo - RS 34/M MZ:**

- Potencia MÁX deseada: 260 kW
  - Gas natural G 20 PCI 9,45 kWh/Sm<sup>3</sup>
  - Presión del gas a la potencia de 260 kW, en la tabla RS 34/M MZ, columna 1A = 7,3 mbar
  - Presión en la cámara de combustión = 2 mbar
- 7,3 + 2 = 9,3 mbar
- presión necesaria en la toma 1)(B).

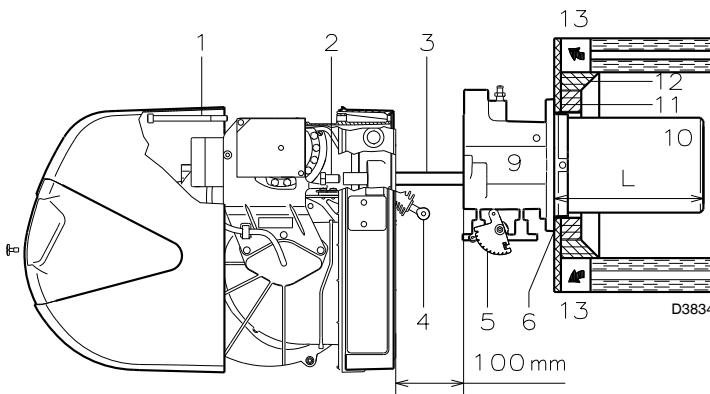


(A)

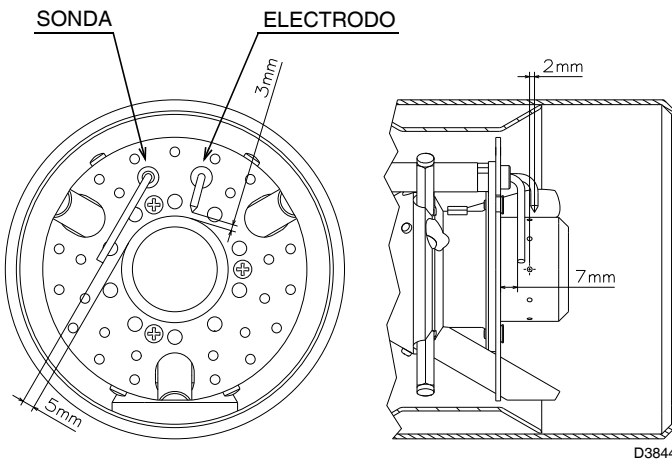
mm	A	B	C
RS 34/M MZ	160	224	M 8
RS 44/M MZ	160	224	M 8



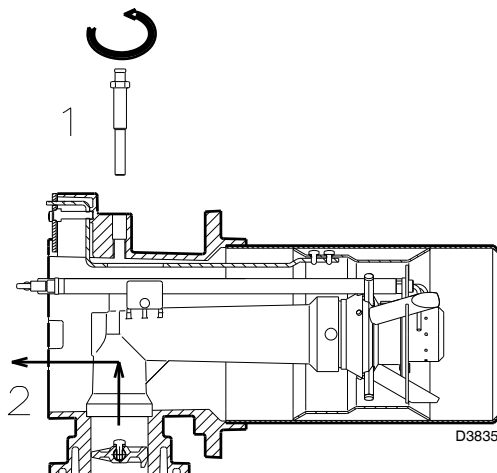
(B)



(C)



(D)



(E)

## INSTALACIÓN

**⚠ EL QUEMADOR SE DEBE INSTALAR DE CONFORMIDAD CON LAS LEYES Y NORMATIVAS LOCALES.**

### POSICIÓN DE FUNCIONAMIENTO (A)

**⚠** El quemador está preparado exclusivamente para el funcionamiento en las posiciones 1, 2, 3 y 4.

Es conveniente escoger la instalación 1 puesto que es la única que permite el mantenimiento tal como descrito a continuación en este manual. Las instalaciones 2, 3 y 4 permiten el funcionamiento pero complican las operaciones de mantenimiento y de inspección del cabezal de combustión pág. 15.

**⊘** Otra posición se debe considerar comprometedor para el funcionamiento correcto del aparato. La instalación 5 está prohibida por motivos de seguridad.

### PLACA CALDERA (B)

Taladrar la placa de cierre de la cámara de combustión tal como se indica en (B). Puede marcarse la posición de los orificios roscados utilizando la junta aislante que se suministra con el quemador.

### LONGITUD TUBO LLAMA (C)

La longitud del tubo de llama debe seleccionarse de acuerdo con las indicaciones del fabricante de la caldera y, en cualquier caso, debe ser mayor que el espesor de la puerta de la caldera completa, con el material refractario incluido.

Las longitudes, L (mm), disponibles son:

Tubo llama 10)	RS 34/M MZ	RS 44/M MZ
• corto	216	216
• largo	351	351

Para calderas con pasos de humos delanteros 13) o con cámara de inversión de llama, colocar una protección de material refractario 11) entre el refractario de la caldera 12) y el tubo de llama 10). Esta protección debe permitir el desplazamiento del tubo de llama. En calderas con frontal refrigerado por agua, no es necesario el revestimiento refractario 11)-12)(C), salvo que lo indique el fabricante de la caldera.

### FIJACIÓN DEL QUEMADOR A LA CALDERA (C)

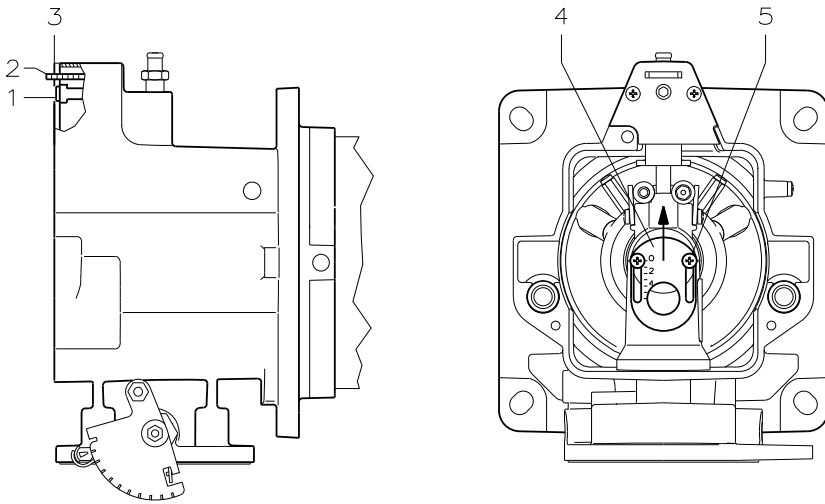
Antes de fijar el quemador a la caldera, verificar (a través de la abertura del tubo de llama) si la sonda y el electrodo de encendido están correctamente posicionados como se muestra en la figura (D). Separar luego el cabezal de combustión del resto del quemador, fig. (C):

- **desenganchar la articulación 4) del sector graduado 5);**
- **desenroscar los tornillos 2) de las dos guías 3);**
- **desenroscar los tornillos 1) y desplazar el quemador por las guías 3) unos 100 mm;**
- **desconectar los cables de la sonda y del electrodo y desplazar todo el quemador.**

Fijar el grupo 9)(C) a la placa de la caldera interponiendo la protección aislante 6)(C) suministrada de serie. Utilizar los 4 tornillos que se suministran, después de haber protegido la rosca con algún producto antibloqueo. El acoplamiento del quemador con la caldera debe ser hermético.

Si en la verificación anterior, la posición de la sonda o del electrodo no era correcta, desenroscar el tornillo 1)(E), extraer la parte interior 2)(E) del cabezal y calibrelos. No hacer girar la sonda, sino dejarla como se indica en (D); ya que si se sitúa demasiado cerca del electrodo de encendido podría dañar el amplificador de la caja de control.

**⚠ ATENCIÓN**  
Proceda al montaje de la parte interna 2)(E) del cabezal de combustión apretando el tornillo 1)(E) con par de apriete igual a  $4 \div 6 \text{ Nm}$ .



(A)

D8458

## REGULACIÓN DEL CABEZAL DE COMBUSTIÓN

En este punto de la instalación, el tubo de llama y el soporte quemador se fijan a la caldera como se indica en la fig. (A). De esta manera se agiliza notablemente la regulación del cabezal de combustión.

### Regulación aire (A - B)

Girar el tornillo 1)(A) hasta que coincida el número de posición hallada 2)(A) con el plano de la placa 3)(A).

### Ejemplo:

Quemador RS 44/M MZ, potencia = 300 kW.

Del diagrama (B) se desprende que para la potencia MÁX de 300 kW la regulación del aire se debe situar en la posición 3, habiéndole restado el valor de presión en la cámara. En este caso, la pérdida de presión del cabezal de combustión se facilita en la columna 1 de la pág. 6.

### Nota

Si la presión en la cámara es igual a 0 mbar, la regulación del aire se realiza tomando como referencia la línea discontinua del diagrama (B).

### Regulación aire central (A - C)

Si la aplicación específica requiere una regulación particular, se puede modificar el caudal de aire central mediante la tuerca 4)(A) hasta la muesca que se indica en el diagrama (C).

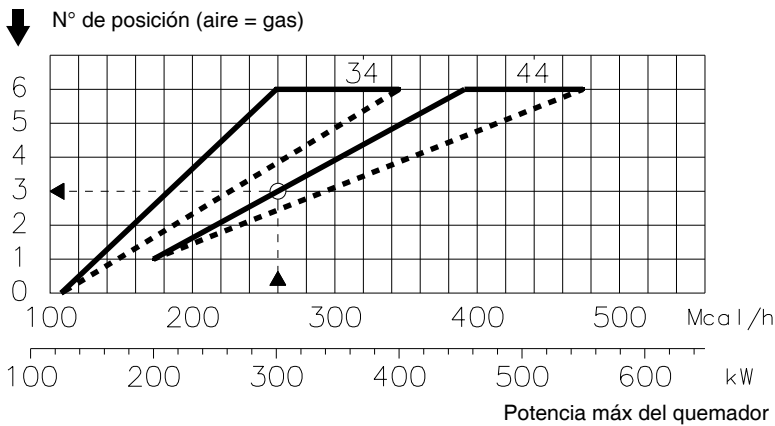
Para realizar esta operación aflojar los tornillos 5)(A) y levantar la tuerca 4)(A). Luego, bloquear nuevamente los tornillos 5)(A).

Finalizada la regulación del cabezal, volver a montar el quemador 4)(D) en las guías 3)(D) a unos 100 mm del collarín 5)(D) - quemador en la posición que muestra la fig. (C)p. 7 - conectar los cables de la sonda y del electrodo y a continuación desplazar el quemador hasta el collarín, quemador en la posición que muestra la fig. (D).

Volver a colocar los tornillos 2) en las guías 3). Fije el quemador al collarín utilizando los tornillos 1).

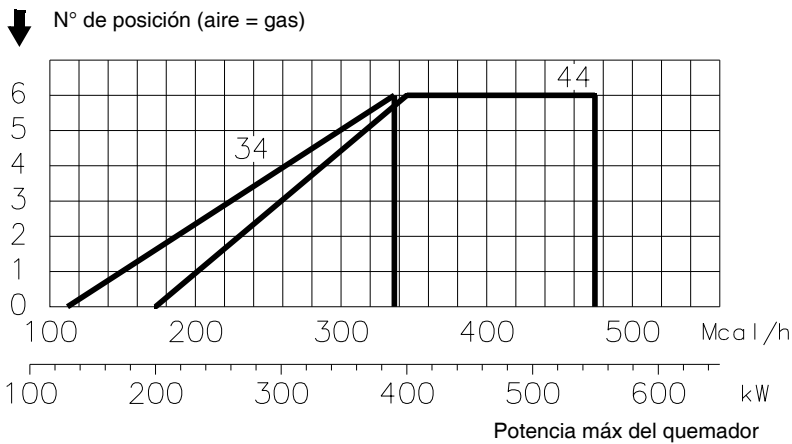
### Atención

En el momento de cerrar el quemador en las guías, es conveniente tirar suavemente hacia afuera del cable de alta tensión y de la sonda para controlar la presencia de llama, hasta que estén ligeramente tensados.



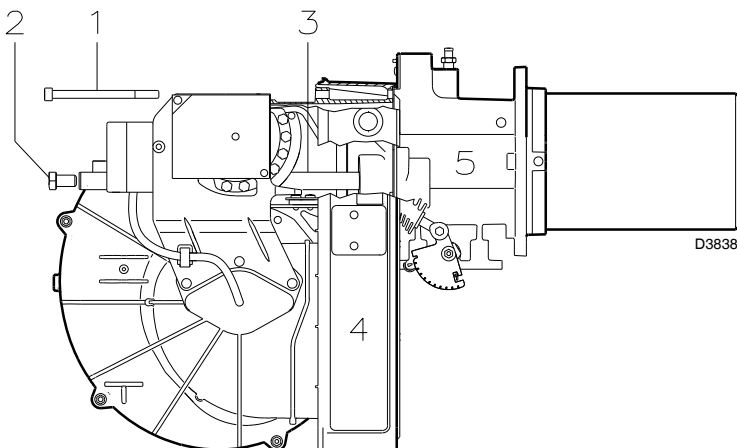
(B)

D3837



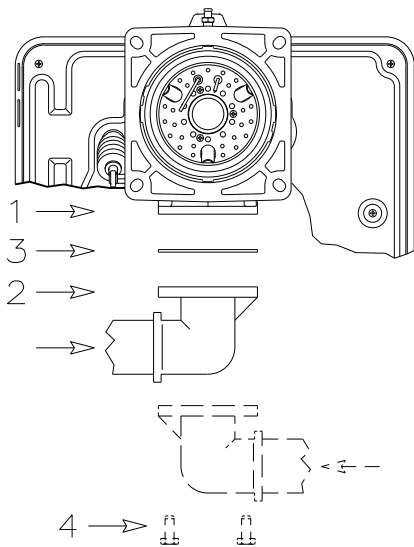
(C)

D8577



(D)

D3838



(A)

D3839

### LÍNEA ALIMENTACIÓN DE GAS

- La rampa de gas va acoplada a la conexión de gas 1)(A), mediante la brida 2), la junta 3) y los tornillos 4, que se suministran con el quemador.
- La rampa puede llegar por la derecha o por la izquierda, según convenga. ver fig. (A).
- Las electroválvulas del gas deben estar lo más cerca posible del quemador, para asegurar la llegada del gas al cabezal de combustión en el tiempo de seguridad de 3s.

### RAMPA DE GAS (B)

Está homologada según la norma EN 676 y se suministra por separado, con el número de referencia que se indica en la tabla (C).

### LEYENDA (B)

- 1 - Conducto llegada gas
- 2 - Válvula manual
- 3 - Junta antivibratoria
- 4 - Manómetro con válvula de pulsador
- 5 - Multibloc que incluye:
  - filtro (sustituible)
  - válvula de funcionamiento
  - regulador de presión
- 6 - Presostato gas de mínima
- 7 - Dispositivo de control de la estanqueidad de las válvulas.  
Según la norma EN 676, el control de estanqueidad es obligatorio para quemadores con potencia máxima superior a 1200 kW.
- 8 - Junta
- 9 - Registro mariposa de gas
- 10 - Presostato gas de máxima (accesorio)
- 11 - Adaptador rampa de gas-quemador

P1 - Presión en el cabezal de combustión  
P2 - Presión por encima de las válvulas/regulador

L - Rampa de gas suministrada por separado, con el Nº de Ref. que se indica en la tabla (C)

L1 - A cargo del instalador

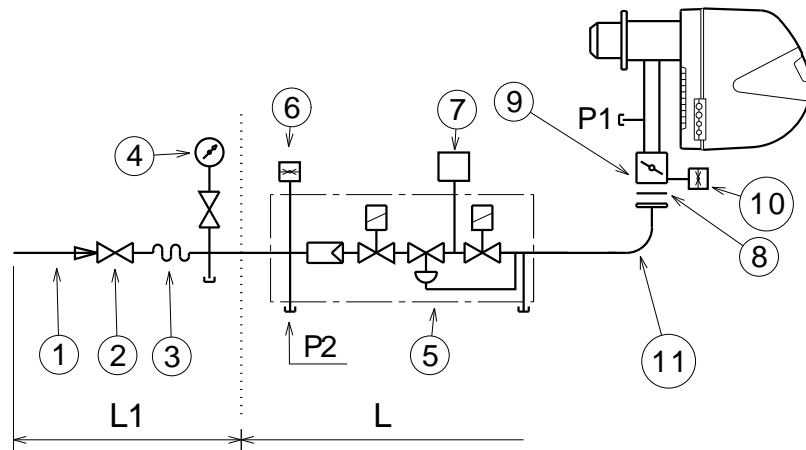
### LEYENDA TABLA (C)

C.T.= Dispositivo de control de estanqueidad de las válvulas de gas:

- = Rampa sin dispositivo de control de estanqueidad; dispositivo que se puede pedir por separado, véase columna 7, y ser montado sucesivamente.
  - ◆ = Rampa con dispositivo de control de estanqueidad montado.
- 7 = Dispositivo de control de estanqueidad válvulas VPS.  
Se suministra aparte de la rampa de gas, sobre demanda.
- 11 = Adaptador rampa-quemador.  
Se suministra aparte de la rampa de gas, sobre demanda.

### Nota

Para la regulación de la rampa de gas, ver las instrucciones que acompañan a la misma.



(B)

D3791

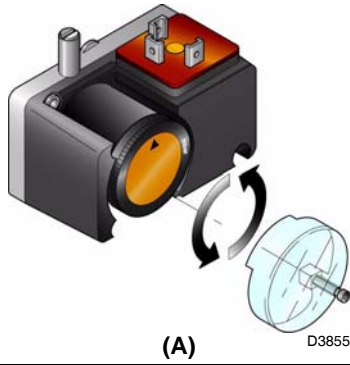
### QUEMADORES Y RAMPAS DE GAS HOMOLOGADAS SEGÚN NORMA EN 676

RAMPAS DE GAS L				QUEMADORES		7	11
Código	Modelo	Ø	C.T.	RS 34/M MZ	RS 44/M MZ	Código	Código
3970599	MB-DLE 407 S52	3/4"	-	-	•	-	3000824
3970553 3970229*	MB-DLE 407 S20	3/4"	-	•	•	3010123	3000824
3970554 3970230*	MB-DLE 410 S20	1"	-	•	•	3010123	3000824
3970144 3970231*	MB-DLE 412 S20	1"1/4	-	•	•	3010123	-
3970180 3970232*	MB-DLE 415 S20	1"1/2	-	•	•	3010123	-
3970181 3970233* 3970182 3970234*	MB-DLE 420 S20	2"	- - ◆ ◆	•	•	3010123 3010123 - -	3000822

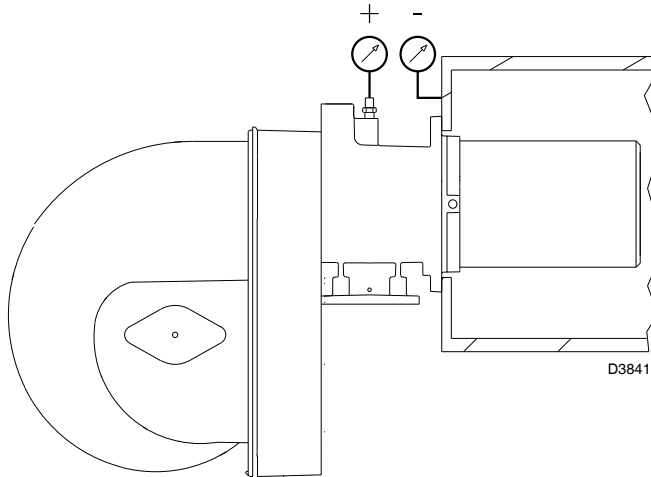
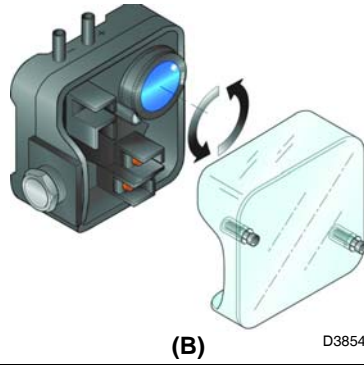
\* Rampas con conector macho de seis contactos para la conexión al quemador.

(C)

**PRESOSTATO GAS DE MÍN.**

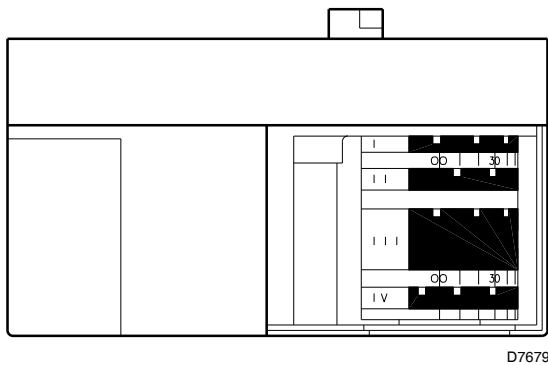


**PRESOSTATO AIRE**

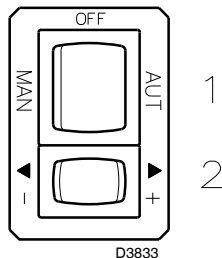


**(C)**

**SERVOMOTOR**



**(D)**



**(E)**

**REGULACIONES PREVIA AL ENCENDIDO**

**⚠ ATENCION**

**EL PRIMER ENCENDIDO DEBE SER REALIZADO POR PERSONAL CUALIFICADO Y CON LAS HERRAMIENTAS IDÓNEAS.**

La regulación del cabezal de combustión, aire y gas, ya se ha descrito en la pág 7.

Efectuar, además, las siguientes regulaciones:

- Abrir las válvulas manuales situadas antes de la rampa de gas.
- Regular el presostato gas de mínima al inicio de la escala (A).
- Regular el presostato aire al inicio de la escala (B).
- Purgar el aire de la línea de gas.

Es aconsejable evacuar el aire purgado al exterior del edificio (mediante un tubo de plástico) hasta notar el olor característico del gas.

- Instalar un manómetro (C) en la toma de presión del collarín.

Sirve para calcular, aproximadamente, la potencia MÁX del quemador mediante las tablas de la pág. 6.

- Conectar en paralelo a las dos electroválvulas de gas VR y VS, dos lámparas o un tester para controlar el momento de la llegada de tensión.

Esta operación no es necesaria si cada una de las electroválvulas va equipada de una luz piloto que señale la presencia de tensión eléctrica.

Antes de poner en marcha el quemador, es conveniente regular la rampa de gas de forma que el encendido se produzca en condiciones de máxima seguridad, es decir, con un pequeño caudal de gas.

**SERVOMOTOR (D)**

El servomotor regula simultáneamente el registro del aire por la leva de perfil variable y la válvula de mariposa del gas.

El ángulo de rotación del servomotor es igual al ángulo del sector graduado de la válvula de mariposa del gas.

El servomotor gira 90° en 24 segundos.

No modificar la regulación efectuada en fábrica de las 4 levas con que va dotado; verificar simplemente que las levas estén reguladas del siguiente modo:

**Leva I : 90°**

Limita la rotación máxima. Con el quemador funcionando a la MÁX potencia, la válvula de mariposa del gas debe estar completamente abierta: 90°.

**Leva II : 0°**

Limita la rotación hacia el mínimo.

Con el quemador parado, el registro de aire y la válvula de mariposa del gas deben estar cerrados: 0°.

**Leva III : 15°**

Regula la posición de encendido y de la potencia MÍN.

**Leva IV : Unidos a la leva III**

**PUESTA EN MARCHA DEL QUEMADOR**

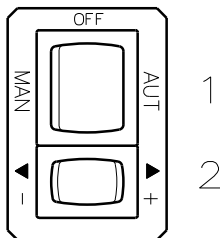
Cerrar los termostatos y poner el interruptor 1)(E) en la posición "MAN".

Tan pronto se pone en marcha el quemador, controlar el sentido de giro de la turbina del ventilador a través del visor de llama 17)(A)p.4.

Verificar que las lámparas o el tester conectados a las electroválvulas, o las luces piloto de las propias electroválvulas, indiquen ausencia de tensión. Si señalan que hay tensión, parar inmediatamente el quemador y comprobar el conexionado eléctrico.

**ENCENDIDO DEL QUEMADOR**

Después de haber efectuado las operaciones descritas en el apartado anterior, el quemador debe de encenderse. Si el motor arranca pero no aparece llama y la caja de control se bloquea, rearmarla y efectuar un nuevo intento de puesta en marcha. Si el encendido sigue sin producirse, puede ser debido a que el gas no llega al cabezal de combustión en el tiempo de seguridad de 3 segundos. En tal caso, aumentar el caudal de gas en el encendido. La llegada de gas al quemador puede observarse en el manómetro (C). Una vez efectuado el encendido, se procederá a la regulación completa del quemador.



(A)

D3883

## REGULACIÓN DEL QUEMADOR

Para lograr una regulación óptima del quemador, es necesario efectuar un análisis de los gases de combustión en la base de la chimenea.

Hay que regular en secuencia:

- 1 - Potencia de encendido (mínima)
- 2 - Potencia MÁX
- 3 - Potencias intermedias entre MÁX y MÍN
- 4 - Presostato aire
- 5 - Presostato gas de mínima

## DETERMINACIÓN DE LA POTENCIA DE ENCENDIDO (MÍNIMA)

Según norma EN 676.

### Quemadores con potencia MÁX hasta 120 kW

El encendido puede efectuarse a la potencia máxima de funcionamiento. Ejemplo:

- potencia máxima de funcionamiento: 120 kW
- potencia máxima de encendido : 120 kW

### Quemadores con potencia MÁX superior a 120 kW

El encendido debe efectuarse a una potencia reducida respecto a la potencia máxima de funcionamiento.

Si la potencia de encendido no supera los 120 kW, no es necesario hacer ningún cálculo. En cambio, si la potencia supera los 120 kW, la norma establece que su valor sea definido en función del tiempo de seguridad "ts" de la caja de control:

para "ts" = 3s la potencia de encendido debe ser igual o inferior a 1/3 de la potencia máxima de funcionamiento.

### Ejemplo:

Potencia MÁX de funcionamiento 450 kW.

La potencia de encendido debe ser igual o inferior a 150 kW con ts = 3s

Para medir la potencia de encendido:

- Desconectar el conector macho-hembra 24)(A)p.4 del cable de la sonda de ionización (el quemador se enciende y se bloquea pasado el tiempo de seguridad).
- Efectuar 10 encendidos con bloqueos consecutivos.
- Leer en el contador la cantidad de gas consumido.

Esta cantidad debe ser igual o inferior a la que nos da la fórmula, para ts = 3s:

$$Vg = \frac{Qa \text{ (caudal máx. quemador) } \times n \times ts}{3600}$$

**Vg:** volumen erogado en los encendidos realizados (Sm<sup>3</sup>)

**Qa:** caudal de encendido (Sm<sup>3</sup>/h)

**n:** número de encendidos (10)

**ts:** tiempo de seguridad (seg.)

**Ejemplo** para gas G 20 (9,45 kWh/Sm<sup>3</sup>):

potencia de encendido 150 kW

correspondientes a 15,87 Sm<sup>3</sup>/h.

Después de 10 encendidos con bloqueo, el caudal de gas medido en el contador debe ser igual o inferior a:

$$Vg = \frac{15,87 \times 10 \times 3}{3600} = 0,132 \text{ Sm}^3$$

## 1 - POTENCIA DE ENCENDIDO (MÍNIMA)

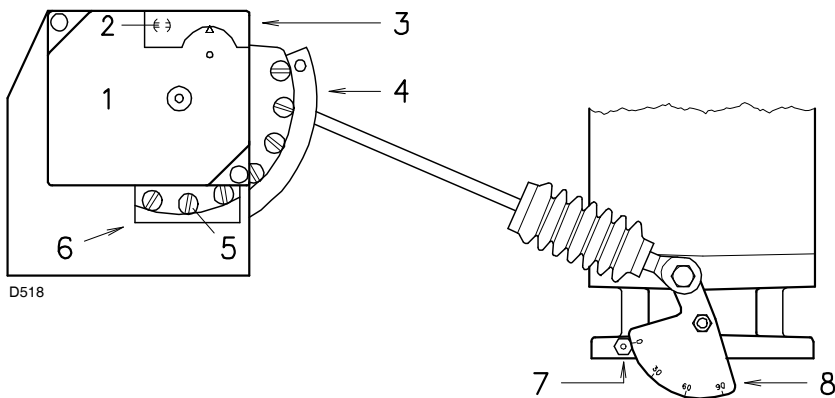
La potencia MÍN se elige dentro del campo de trabajo que se indica en la pág. 5.

Apretar el botón 2)(A) "disminución de potencia" y mantenerlo oprimido hasta que el servomotor haya cerrado el registro del aire y la válvula de mariposa del gas hasta 15° (ajuste de fábrica).

### Regulación del gas

Medir el caudal de gas en el contador.

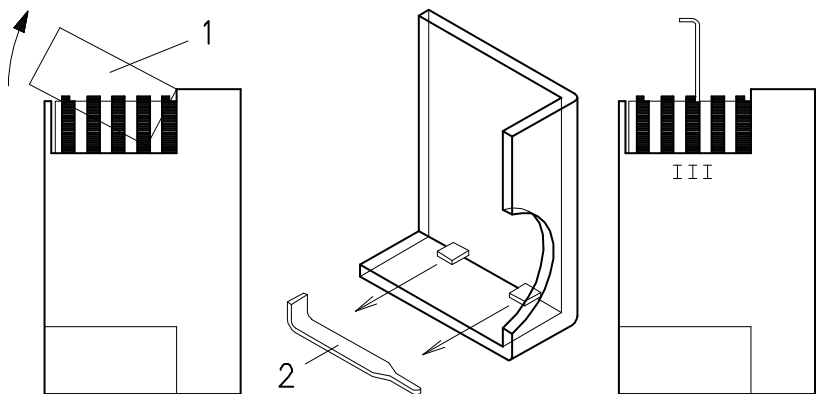
- Si se desea disminuir, reducir un poco el ángulo de la leva III fig.(B)p.12 mediante cortos desplazamientos consecutivos, es decir, pasando del ángulo de 15° a 13° - 11°....
  - Si se desea aumentarlo, pulsar un poco el botón "aumento de potencia" 2)(A) (abrir de 10-15° la válvula de mariposa del gas), aumentar el ángulo de la leva III fig.(B)p.12 mediante cortos desplazamientos consecutivos, es decir, pasando del ángulo de 15° a 17° - 19°....
- Apretar después el botón "disminución de potencia" hasta situar el servomotor en la posición de mínima apertura y medir el caudal del gas.



D518

- |                                   |                                        |
|-----------------------------------|----------------------------------------|
| 1 Servomotor                      | 5 Tornillos regulación perfil variable |
| 2 ⊖ Bloqueo / ⊕ Desbloqueo leva 4 | 6 Abertura acceso tornillos 5          |
| 3 Tapa levas                      | 7 Índice del sector graduado 8         |
| 4 Leva de perfil variable         | 8 Sector graduado válvula de mariposa  |

### (A)



D793

### (B)

### NOTA

El servomotor sigue la regulación de la leva III sólo cuando se reduce el ángulo de la misma. Si es necesario aumentar el ángulo de la leva, primero hay que incrementar el ángulo del servomotor mediante la tecla "aumento de potencia", luego aumentar el ángulo de la leva III y por último volver a llevar el servomotor a la posición de potencia MÍN con la tecla "disminución de potencia".

Para el reglaje eventual de la leva I II, extraer la tapa 1), sujeta a presión, como se indica en la fig. (B), sacar la chaveta 2) situada en el interior e introducirla en el encaje de la leva III.

### Regulación del aire

Variar progresivamente el perfil inicial de la leva 4)(A), actuando sobre los tornillos de la leva que aparecen en el interior de la abertura 6)(A). Si es posible, no girar el primer tornillo, dado que es el que se utiliza para cerrar el registro del aire completamente.

### 2 - POTENCIA MÁX

La potencia MÁX se elige dentro del campo de trabajo que se indica en la pág. 5.

En la descripción anterior, hemos dejado el quemador encendido, funcionando a la potencia MÍN. Apretar ahora el botón 2)(A)p.11 "aumento de potencia" y mantenerlo apretado hasta que el servomotor haya abierto el registro del aire y la válvula de mariposa del gas a 90°.

### Regulación del gas

Medir el caudal de gas en el contador.

A título orientativo, puede determinarse mediante las tablas de la pág. 6, mirando la presión del gas en el manómetro, véase fig.(C)p.10, y siguiendo las indicaciones de la pág. 6.

- Si es necesario reducirlo, disminuir la presión del gas a la salida y, si ya está al mínimo, cerrar un poco la válvula de regulación VR.
- Si es necesario aumentarla, incrementar la presión de gas a la salida del regulador.

### Regulación del aire

Variar progresivamente el perfil final de la leva 4)(A), actuando sobre los tornillos de la leva que aparecen en el interior de la abertura 6)(A).

- Para aumentar el caudal de aire, enroscar los tornillos.
- Para disminuir el caudal de aire, desenroscar los tornillos.

### 3 - POTENCIAS INTERMEDIAS

#### Regulación del gas

No es necesaria ninguna regulación.

#### Regulación del aire

Pulsar un poco el botón 2)(A)p.11 "aumento de potencia" de forma que un nuevo tornillo 5)(A) aparezca en el interior de la abertura 6)(A) y regular hasta obtener una combustión óptima. Proceder del mismo modo con los demás tornillos.

Prestar atención para que la variación del perfil de la leva sea progresiva.

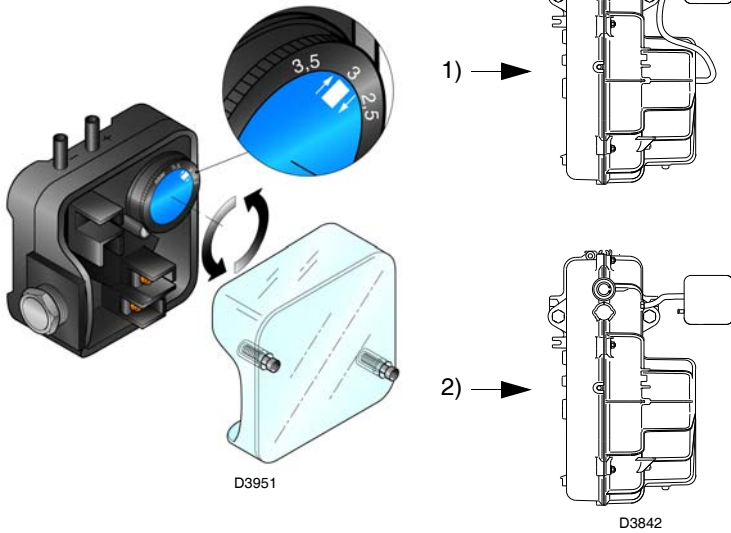
Apagar el quemador a través del interruptor 1)(A)p.11, posición OFF), desbloquear la leva de perfil variable, situando la ranura 2)(A) en posición vertical desde el servomotor, y verificar varias veces, haciendo girar a mano la leva hacia adelante y hacia atrás, que el movimiento sea suave y sin atascos.

Si es posible, intentar no desplazar los tornillos de los extremos de la leva, regulados anteriormente para la abertura del registro del aire a la potencia MÁX y MÍN.

### NOTA

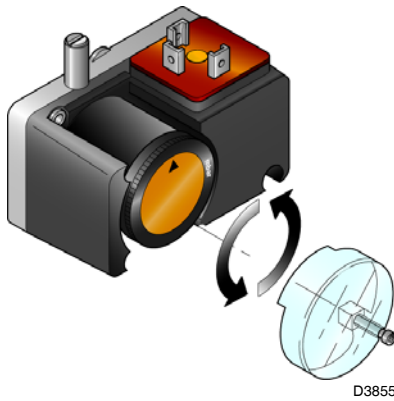
Una vez terminada la regulación de las potencias MÁX - MÍN - INTERMEDIAS, volver a verificar el encendido: debe producirse un ruido parecido al de funcionamiento sucesivo. Si se observan pulsaciones, reducir el caudal de encendido.



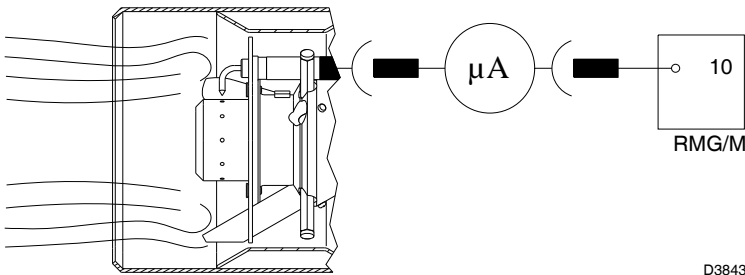


(A)

PRESOSTATO GAS DE MÍNIMA



(B)



(C)

**4 - PRESOSTATO AIRE (A)**

Efectuar la regulación del presostato de aire, después de haber efectuado todas las demás regulaciones del quemador, con el presostato de aire ajustado al inicio de la escala (A).

Con el quemador funcionando a la potencia MIN, introduzca en la chimenea un analizador de la combustión, cierre lentamente la boca de aspiración del ventilador (por ejemplo con un cartón) hasta que el valor de CO no supere los 100 ppm.

Después gire lentamente la maneta en el sentido de las agujas de reloj hasta que el quemador se bloquee.

A continuación, controle que la flecha indique hacia arriba en la escala graduada (A). Gire nuevamente la maneta en el sentido de las agujas del reloj hasta hacer coincidir el valor indicado en la escala graduada con la flecha indicando hacia abajo (A), se recupera así la histéresis del presostato representada por el campo blanco sobre fondo azul comprendido entre las dos flechas.

Controle ahora el correcto arranque del quemador.

Si el quemador se bloquea de nuevo, girar el botón un poco más, en sentido contrario a las agujas del reloj.

El presostato aire instalado puede funcionar de manera "diferencial" si se conecta con dos tubos véase 1)(A). Si una fuerte depresión en la cámara de combustión, en la fase de preventilación, no permite que el presostato aire conmute, la conmutación se puede obtener aplicando un segundo tubo entre el presostato aire y la boca de aspiración del ventilador. De esta manera el presostato funcionará como presostato diferencial.

**5 - PRESOSTATO GAS DE MÍNIMA (B)**

Con el quemador funcionando a la potencia MÁX, aumentar la presión de regulación girando lentamente en sentido horario el botón que se facilita a tal efecto, hasta que se pare el quemador.

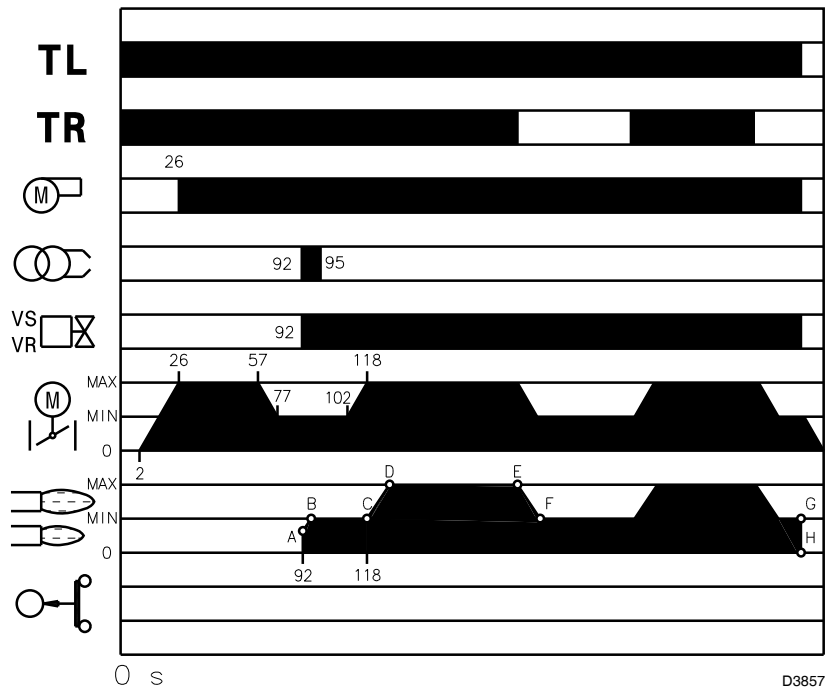
A continuación, girar dicho botón en sentido contrario a las agujas del reloj 5 mbar y repetir el arranque del quemador para verificar la regularidad de funcionamiento.

Si el quemador se para de nuevo, girar el botón en sentido contrario a las agujas del reloj 1 mbar.

**CONTROL PRESENCIA LLAMA (C)**

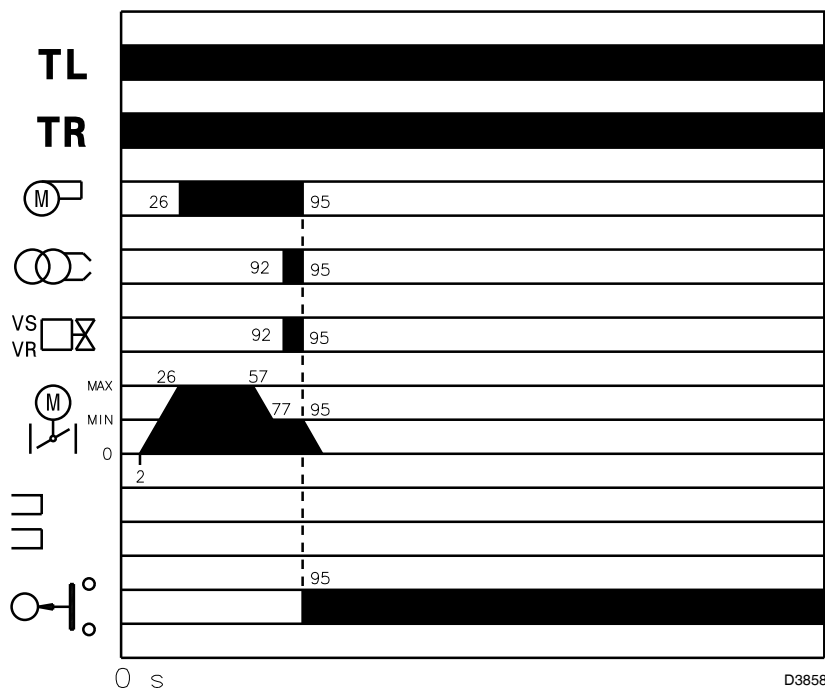
El quemador está dotado de un sistema de ionización para controlar la presencia de la llama. La corriente mínima para el funcionamiento de la caja de control es de 6  $\mu\text{A}$ . El quemador genera una corriente netamente superior, no precisando normalmente ningún control. Sin embargo, si se desea medir la corriente de ionización, es preciso desenchufar el conector macho - hembra 24)(A)p.4 del cable de la sonda de ionización y conectar un microamperímetro de corriente continua de una baja escala de 100  $\mu\text{A}$ . Atención a la polaridad.

**ENCENDIDO REGULAR**  
(n° = segundos desde el instante 0)



(A)

**FALTA DE ENCENDIDO**



(B)

**FUNCIONAMIENTO DEL QUEMADOR**

**PUESTA EN MARCHA DEL QUEMADOR**

- 0s: Cierre termostato/presostato TL.
- 2s: Arranca el programa de la caja de control eléctrica. Se pone en marcha el servomotor: gira 90° hacia la izquierda, es decir, hasta la intervención del contacto en la leva I (D)p. 10.
- 26s: El registro de aire llega a la posición de potencia MAX.  
Arranque motor ventilador.  
Comienza la fase de preventilación.
- 57s: El servomotor gira hacia la izquierda, hasta el ángulo regulado en la leva III (D)p. 10 para la MÍN potencia.
- 77s: El registro de aire y la mariposa del gas se sitúan en la potencia MÍN (con leva III)(D)p.10 a 15°).
- 92s: Se genera chispa en el electrodo de encendido.  
Se abren las electroválvulas de seguridad VS y de regulación VR, apertura rápida. Se enciende la llama, con poca potencia, punto A.  
Sigue un progresivo aumento de la potencia, apertura lenta de la electroválvula VR, hasta la potencia MÍN, punto B.
- 94s: Cesa la chispa.
- 118s: Termina el ciclo de arranque.

**FUNCIONAMIENTO A RÉGIMEN (A)**

**Quegador si el kit para funcionamiento modulante**

Una vez terminado el ciclo de arranque, el mando del servomotor pasa al termostato/presostato TR que controla la presión o la temperatura en la caldera, punto C.

(De todas formas, la caja de control eléctrica sigue controlando la presencia de la llama y la correcta posición de los presostatos aire y gas.

- Si la temperatura o la presión es baja y en consecuencia el termostato TR requiera potencia, el quemador aumenta progresivamente la potencia hasta el valor MÁX (segmento C-D).
- Si luego la temperatura o la presión aumenta hasta la conmutación del termostato TR, el quemador reduce progresivamente la potencia hasta el valor MÍN (segmento E-F). Y así sucesivamente.
- El paro del quemador se produce cuando la demanda de calor es inferior a la generada por el quemador a la potencia MÍN (segmento G-H). El termostato/presostato TL se abre, el servomotor vuelve al ángulo 0°. El registro se cierra completamente para reducir las pérdidas de calor al mínimo.

**Quegador con el kit para funcionamiento modulante**

Ver el Manual de Instrucciones que acompaña al Regulador.

**FALTA DE ENCENDIDO (B)**

Si el quemador no se enciende se bloquea en 3s después de la apertura de la válvula gas.

**EXTINCIÓN DE LA LLAMA DURANTE EL FUNCIONAMIENTO**

Si la llama se apaga accidentalmente durante el funcionamiento, el quemador se bloquea en 1 segundo.

**CONTROLES FINALES** (con el quemador en funcionamiento):

- desconectar un cable del presostato gas de mínima;
- abrir el termostato/presostato TL;
- abrir el termostato/presostato TS;


el quemador debe detenerse.


- Desconectar el tubo de aducción aire en el presostato;
- desconectar el cable de la sonda de ionización;


el quemador debe bloquearse.

Comprobar que los bloqueos mecánicos de los dispositivos de regulación estén bien apretados.

#### **MANTENIMIENTO**

 El quemador precisa un mantenimiento periódico que debe ser ejecutado por personal especializado **y de conformidad con las leyes y normativas locales.**

 El mantenimiento periódico es fundamental para un buen funcionamiento del quemador; y evita asimismo los consumos de combustible excesivos y, por lo tanto, la emisión de agentes contaminantes.

 Antes de realizar cualquier operación de limpieza o control, apague la alimentación eléctrica del quemador utilizando el interruptor principal del sistema.

#### **Combustión**

Efectuar el análisis de los gases de combustión que salen de la caldera. Las diferencias significativas respecto al último análisis indicarán los puntos donde deberán centrarse las operaciones de mantenimiento.

#### **Fugas de gas**

Comprobar que no haya fugas de gas en el conducto contador-quemador.

#### **Filtro de gas**

Sustituir el filtro del gas cuando esté sucio (véase instrucción rampa).

#### **Cabezal de combustión**

Abrir el quemador y verificar que todas las partes del cabezal de combustión estén intactas, no estén deformadas por las altas temperaturas, no tengan suciedad proveniente del ambiente y estén correctamente posicionadas. En caso de duda, desmonte el codo.

#### **Servomotor**

Desbloquear la leva 4)(A)p.12, girando 90° la ranura 2)(A)p.12 y controlar manualmente que su rotación, hacia adelante y hacia atrás, se efectúe con facilidad. Bloquear de nuevo la leva 4)p.12.

#### **Quemador**

Verificar que no haya un desgaste anormal o tornillos flojos en los mecanismos que controlan el registro del aire y la válvula de mariposa del gas. Igualmente, los tornillos que fijan los cables eléctricos en la regleta del quemador deben estar bien apretados.

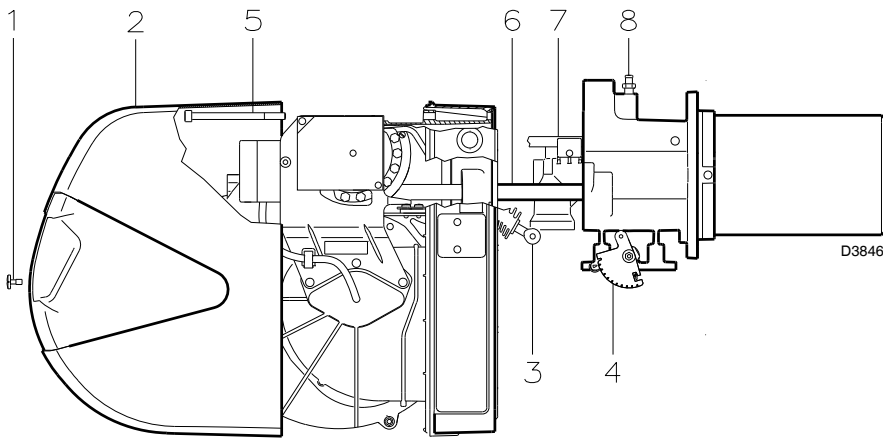
Limpiar exteriormente el quemador, en particular las rótulas y la leva 4)(A)p.12.

#### **Combustión**

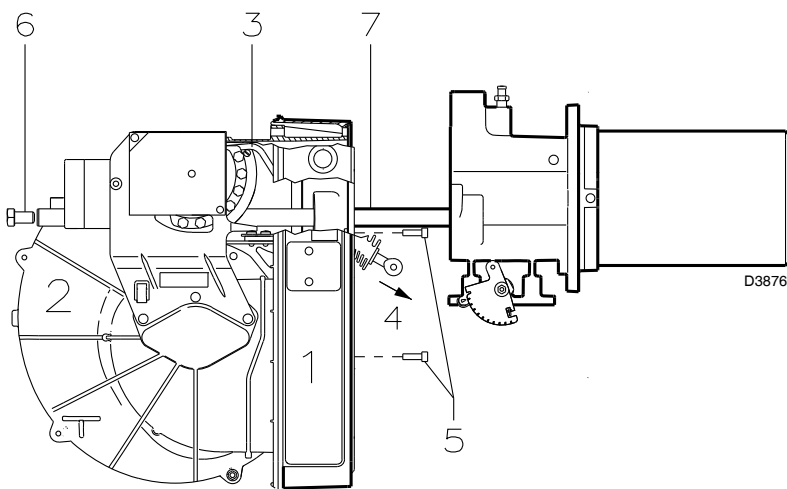
Regular el quemador si los valores de la combustión obtenidos al inicio de la intervención no cumplen las Normas en vigor o no corresponden a una buena combustión.

Anotar en una ficha de control los nuevos valores de la combustión; serán útiles para controles sucesivos.

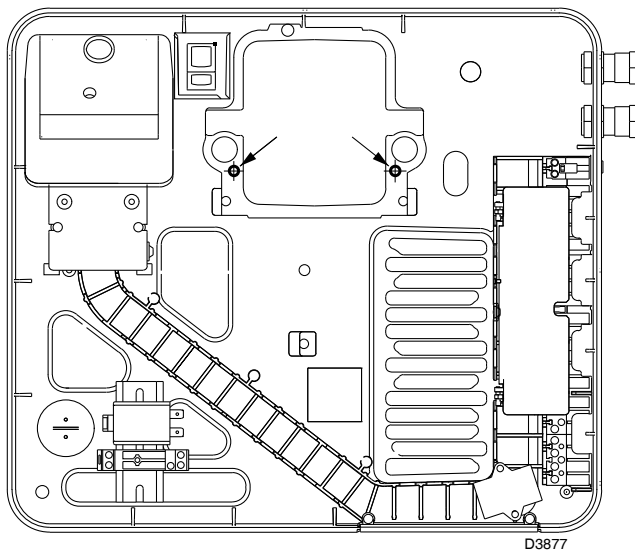
## APERTURA DEL QUEMADOR



(A)



(B)



(C)

## PARA ABRIR EL QUEMADOR (A):

- Cortar la tensión.
- Quitar el tornillo 1) y extraer la cubierta 2).
- **Soltar la rótula 3) del sector graduado 4).**
- Quitar el tornillo 5) sólo si el modelo es de cabezal largo, retrase aproximadamente 100 mm el quemador sobre las guías 6). Desconectar los cables de la sonda y del electrodo y desplazar todo el quemador.

En este punto es posible extraer el distribuidor de gas 7), después de haber desenroscado el tornillo 8).

Quite los tornillos 2)(B)p. 7 y enrosque los dos alargadores 25)(A)p.4 suministrados de serie. Vuelva a apretar los dos tornillos 2)(B)p.7 en la terminal de los alargadores.



### ATENCIÓN

Proceda al montaje de la parte interna del cabezal de combustión apretando el tornillo 8)(A) con par de apriete igual a  $4 \div 6 \text{ Nm}$ .

## PARA CERRAR EL QUEMADOR (A):

- Empujar el quemador hasta aproximadamente 100 mm del collarín.
- Volver a conectar los cables y desplazar el quemador hasta que haga tope.
- Volver a colocar el tornillo 5) y tirar delicadamente hacia afuera los cables de sonda y electrodo, hasta tensarlos ligeramente.
- Volver a enganchar la rótula 3) en el sector graduado 4).
- En los modelos de cabezal largo, desenrosque los alargadores y vuelva a colocarlos en su alojamiento; atornille los tornillos 2)(C)p.7 a las guías.
- Volver a colocar el envolvente 2) y fijarlo con el tornillo 1).

## MANTENIMIENTO CUADRO ELÉCTRICO

Si es necesario el mantenimiento del cuadro eléctrico 1)(B) se puede retirar sólo el grupo de ventilación 2)(B) y permitir así un más cómodo acceso a los componentes eléctricos.

Con el quemador abierto como en la fig. (A), desenganche el tirante 3)(B), quitando los tornillos de la leva de perfil variable, y extraerlo de la extremidad 4)(B).

Desconecte ahora los cableados del presostato aire, servomotor y motor ventilador.

Retire después los tres tornillos 5)(B) que se encuentran en la chapa de protección.

Quitando los dos tornillos 6)(B) se puede extraer el grupo de ventilación 2)(B) de las guías 7)(B).

Por último, se pueden usar 2 de los 3 tornillos 5)(B) para fijar el cuadro eléctrico al collarín, en los puntos indicados en la figura fig. (C), y realizar a continuación las operaciones de mantenimiento.

## DIAGNOSIS PROGRAMA DE ARRANQUE

Durante el programa de arranque, las indicaciones se explican en la siguiente tabla:

TABLA CÓDIGO COLOR	
Secuencias	Código color
Preventilación	● ● ● ● ● ● ● ● ● ●
Fase de encendido	● ○ ● ○ ● ○ ● ○ ●
Funcionamiento con llama ok	□ □ □ □ □ □ □ □ □ □
Funcionamiento con señal de llama débil	□ ○ □ ○ □ ○ □ ○ □
Alimentación eléctrica inferior a ~ 170V	● ▲ ● ▲ ● ▲ ● ▲ ●
Bloqueo	▲ ▲ ▲ ▲ ▲ ▲ ▲ ▲ ▲
Luz extraña	▲ □ ▲ □ ▲ □ ▲ □ ▲
<b>Legenda:</b>	○ Apagado      ● Amarillo      □ Verde      ▲ Rojo

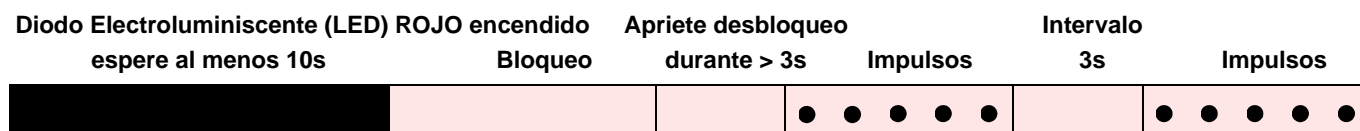
### DESBLOQUEO CAJA DE CONTROL Y USO DIAGNOSIS

La caja de control suministrada de serie tiene una función diagnóstica mediante la que es posible individualizar fácilmente las posibles causas de un mal funcionamiento (indicación: **DIODO ELECTROLUMINISCENTE (LED) ROJO**).

Para utilizar tal función, hay que esperar por lo menos 10 segundos desde el instante de la puesta en seguridad (**bloqueo**) y apretar después el botón de desbloqueo.

La caja de control genera una secuencia de impulsos (después de un segundo) que se repite a intervalos constantes de 3 segundos.

Una vez controlado el número de destellos e identificada la posible causa, hay que poner en cero el sistema manteniendo apretado el botón durante un tiempo comprendido entre 1 y 3 segundos.



A continuación se enumeran las metodologías posibles para realizar el desbloqueo de la caja de control y para usar la diagnosis.

### DESBLOQUEO CAJA DE CONTROL

Para desbloquear la caja de control proceder de la siguiente manera:

- Apretar el botón durante un tiempo comprendido entre 1 y 3 segundos.  
El quemador vuelve a arrancar después de una pausa de 2 segundos desde haber soltado el botón.  
En caso de que el quemador no vuelva arrancar, es necesario controlar el cierre del termostato límite.

### DIAGNOSIS VISUAL

Indica la tipología de avería del quemador que conlleva el bloqueo.

Para visualizar la diagnosis, proceder de la siguiente manera:

- Mantener apretado el botón durante más de 3 segundos desde la condición de led rojo fijo (bloqueo quemador).  
El final de la operación se indicará con una luz intermitente amarilla.  
Suelte el botón cuando comiencen los destellos amarillos. El número de destellos indica la causa del mal funcionamiento según la codificación indicada en la tabla de la pág. 18.

### DIAGNOSIS SOFTWARE

Realiza el análisis de la vida del quemador mediante una conexión óptica a una PC indicando sus horas de funcionamiento, número y tipologías de bloqueos, número de serie de la caja de control, etc...

Para visualizar la diagnosis, proceder de la siguiente manera:

- Mantener apretado el botón durante más de 3 segundos desde la condición de led rojo fijo (bloqueo quemador).  
El final de la operación se indicará con una luz intermitente amarilla.  
Soltar el botón durante 1 segundo y apretarlo de nuevo después durante más de 3 segundos hasta que aparezca una intermitencia posterior de color amarillo.  
Al soltar el botón el led rojo se iluminará de forma intermitente con una frecuencia elevada: sólo entonces será posible introducir la conexión óptica.

Después de haber realizado la operación es necesario restablecer el estado inicial de la caja de control mediante el procedimiento de desbloqueo arriba descrito.

PRESIÓN EN EL BOTÓN	ESTADO DE LA CAJA DE CONTROL
De 1 a 3 segundos	Desbloqueo de la caja de control sin visualizar la diagnosis visual.
más de 3 segundos	Diagnosis visual de la condición de bloqueo: (relampagueo led con intermitencia de un segundo).
Más de 3 segundos desde la condición de diagnosis visual	Diagnosis software mediante ayuda de interfaz óptica y PC (posibilidad de observar las horas de funcionamiento, las anomalías, etc..)

La secuencia de los impulsos emitidos por la caja de control identifica las posible tipologías de averías listadas en la tabla de la pág. 18.

Señal	Anomalia	Causa probable	Solución
2 parpadeos ● ●	Superada la pre-ventilación y el tiempo de seguridad, el quemador se bloquea sin aparecer la llama	1 - La electroválvula de funcionamiento deja pasar poco gas 2 - Una de las dos electroválvulas no se abre. 3 - Presión gas demasiado baja 4 - Electrodo de encendido mal regulado 5 - Electrodo a masa para aislante roto 6 - Cable de alta tensión defectuoso. 7 - Cable de alta tensión deformado por la alta temperatura 8 - Transformador de encendido defectuoso 9 - Conexiones eléctricas válvulas o transformador de encendido incorrectas 10 - Caja de control defectuosa 11 - Una válvula antes de la rampa de gas, cerrada 12 - Aire en las tuberías 13 - Válvulas de gas no conectadas o con bobina interrumpida	Aumentarlo Sustituirlas Aumentarla en el regulador Regularlo; ver fig. (D) pág. 7 Sustituirlo Sustituirlo Sustituirlo y protegerlo Sustituirlo Comprobarlas Sustituirla Abrirla Purgarlo Verificar las conexiones o sustituir bobina
3 parpadeos ● ● ●	El quemador no arranca y aparece el bloqueo El quemador arranca y luego se bloquea Bloqueo durante la pre-ventilación	14 - Presostato aire en posición de funcionamiento - El presostato aire no conmuta por presión aire insuficiente: 15 - Presostato de aire mal regulado 16 - Tubo toma presión del presostato obstruido 17 - Cabezal mal regulado 18 - Alta depresión en el hogar 19 - Contactor mando motor defectuoso. (sólo versión trifásica) 20 - Motor eléctrico defectuoso. 21 - Bloqueo motor (sólo versión trifásica)	Regularlo o sustituirlo Regularlo o sustituirlo Limpiarlo Regularlo Conectar presostato aire a la aspiración ventilador Sustituirlo Sustituirlo Sustituirlo
4 parpadeos ● ● ● ●	El quemador arranca y luego se bloquea Bloqueo al pararse del quemador	22 - Simulación de llama. 23 - Hay llama en el cabezal de combustión o simulación de llama	Sustituir la caja de control Eliminar permanencia de llama o sustituir caja de control
6 parpadeos ● ● ● ● ● ●	El quemador arranca y luego se bloquea	24 - Servomotor defectuoso o mal regulado.	Regularlo o sustituirlo
7 parpadeos ● ● ● ● ● ● ●	El quemador se bloquea al aparecer la llama Bloqueo del quemador en el paso entre potencia mínima y máxima y viceversa En funcionamiento, el quemador se bloquea	25 - La electroválvula de funcionamiento deja pasar poco gas 26 - Sonda de ionización mal regulada. 27 - Ionización insuficiente (inferior a 5 A) 28 - Sonda a masa 29 - Insuficiente puesta a tierra del quemador 30 - Fase y neutro invertidos. 31 - Avería del circuito de detección llama 32 - Demasiado aire o poco gas. 33 - Sonda o cable ionización a masa	Aumentarlo Regularla, ver fig. (D) pág. 7 Controlar posición sonda Separarla o sustituir cable Revisar la puesta a tierra Invertir Sustituir la caja de control Regular el aire y el gas Sustituir la(s) pieza(s) deteriorada(s)
10 parpadeos ● ● ● ● ● ● ● ● ● ●	El quemador no arranca y aparece el bloqueo El quemador se bloquea	34 - Conexiones eléctricas incorrectas. 35 - Caja de control defectuosa 36 - Presencia de perturbaciones electromagnéticas en las líneas de termostatos 37 - Presencia de perturbaciones electromagnéticas	Comprobarlas Sustituirla Filtrarlas o eliminarlas Utilizar el kit protección contra las interferencias radio

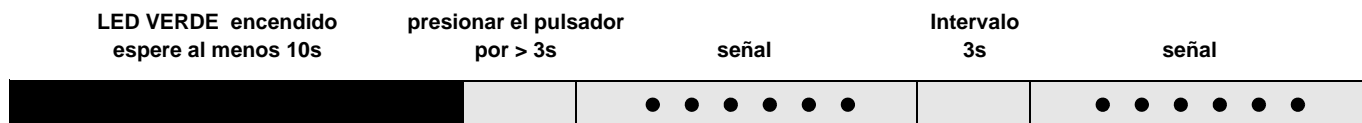
Señal	Anomalía	Causa probable	Solución
Ningún parpadeo	El quemador no arranca	38 - Falta tensión eléctrica . . . . .	Cerrar interruptores; comprobar conexiones
		39 - Un telemando de límite o de seguridad abierto . . . . .	Regularlo o sustituirlo
		40 - Fusible de línea fundido . . . . .	Sustituirlo
		41 - Caja de control defectuosa . . . . .	Sustituirla
		42 - Falta de gas . . . . .	Abrir válvulas manuales entre contador y ramba
El quemador repite el ciclo de arranque sin bloquearse	El quemador repite el ciclo de arranque sin bloquearse	43 - Presión gas en red insuficiente . . . . .	Contacte con la COMPAÑÍA DE GAS
		44 - El presostato gas de mínima no cierra . . . . .	Regularlo o sustituirlo
Encendidos con pulsaciones	Encendidos con pulsaciones	45 - Servomotor no va a la posición de mín. encendido . . . . .	Sustituirlo
		46 - La presión del gas en red es cercana al valor con el cual se ha regulado el presostato gas de mín. La disminución repentina de presión que sigue a la apertura de la válvula, provoca la apertura temporánea del presostato, inmediatamente la válvula se cierra y se detiene el quemador. La presión vuelve a aumentar, el presostato se cierra y hace que se repita el ciclo de arranque. Y así sucesivamente.	Reducir la presión de intervención del presostato gas de mínima. Sustituir el cartucho del filtro gas.
		47 - Cabezal mal regulado . . . . .	Regular. Ver pág. 8
		48 - Electrodo de encendido mal regulado . . . . .	Regularlo; ver fig. (D) pág. 7
El quemador no alcanza la potencia máxima	El quemador no alcanza la potencia máxima	49 - Registro ventilador mal regulado, demasiado aire. . . . .	Regularlo
		50 - Potencia de encendido demasiado elevada . . . . .	Reducirla
		51 - Telemando TR no cierra . . . . .	Regularlo o sustituirlo
El quemador se detiene con el registro de aire abierto	El quemador se detiene con el registro de aire abierto	52 - Caja de control defectuosa . . . . .	Sustituirla
		53 - Servomotor defectuoso . . . . .	Sustituirlo
		54 - Servomotor defectuoso . . . . .	Sustituirlo

### FUNCIONAMIENTO NORMAL / TIEMPO DE DETECCIÓN LLAMA

La caja de control tiene una función ulterior mediante la que es posible asegurarse del correcto funcionamiento del quemador (señal: **LED VERDE** permanentemente encendido).

Para utilizar tal función, hay que esperar al menos 10 segundos desde el instante de encendido del quemador y presionar el pulsador de la caja de control durante un tiempo mínimo de 3 segundos.

Después de haber soltado el pulsador, el LED VERDE comenzará a parpadear, como ilustra la siguiente imagen.



Los parpadeos del LED aparecen con intervalos de aproximadamente 3 segundos.

El número de parpadeos determinará el TIEMPO DE DETECCIÓN de la sonda desde la apertura de las válvulas gas, según la siguiente tabla.

SEÑAL	TIEMPO DE DETECCIÓN LLAMA
1 parpadeo ●	0.4 s
2 parpadeos ● ●	0.8 s
6 parpadeos ● ● ● ● ● ●	2.8 s

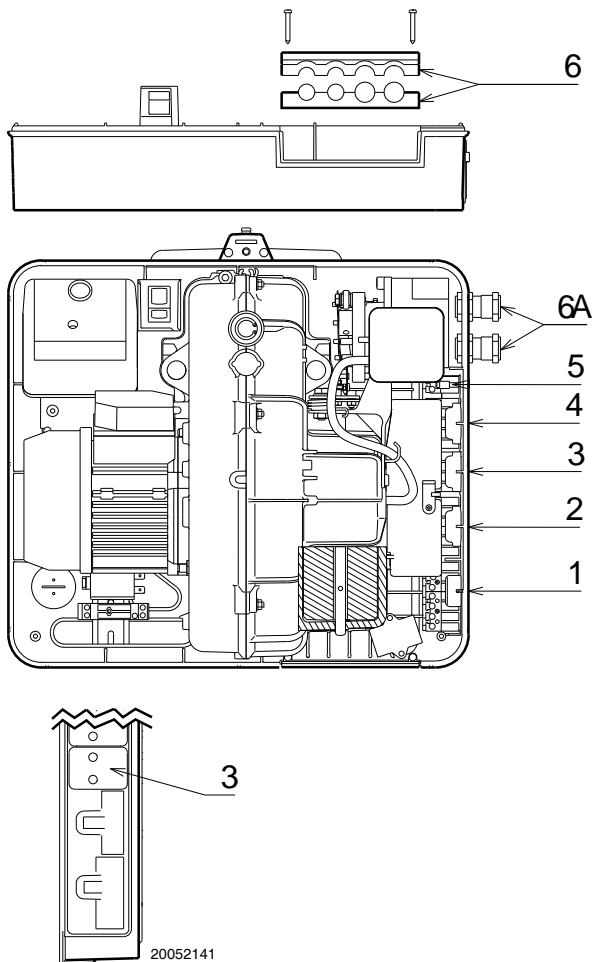
A cada arranque del quemador, se actualiza este dato. Una vez realizada la lectura, apretando brevemente el pulsador de la caja de control, el quemador repite el ciclo de arranque.

#### ATENCIÓN

Si resulta un tiempo > 2 s se tiene el encendido retrasado. Controle la regulación del freno hidráulico en la válvula gas y la regulación registro de aire y cabezal de combustión.

**KIT INTERFACE ADAPTER RMG TO PC Código 3002719**

**Conexión eléctrica**



**NOTAS**

Las conexiones eléctricas se deben realizar según las normas vigentes del país de destino y por personal cualificado.

Riello S.p.A. declina toda responsabilidad por modificaciones o conexiones diferentes de las indicadas en estos esquemas.

Utilizar cables flexibles según norma EN 60 335-1.

Todos los cables que se conecten al quemador deben pasar por los pasacables.

El uso de los pasacables se puede realizar de formas diferentes; a modo de ejemplo, indicamos la forma siguiente:

**RS 34-44/M MZ monofásico**

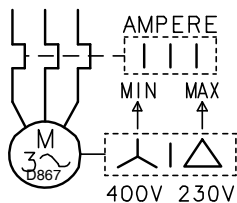
- 1- Conector hembra de 7 contactos para alimentación monofásica, termostato/presostato TL
- 2- Conector hembra de 6 contactos para válvula de gas, presostato gas o dispositivo para el control de estanqueidad válvulas
- 3- Conector hembra de 4 contactos para termostato/presostato TR (con cubierta extraíble)
- 4- Conector hembra de 5 contactos no utilizada
- 5- Conector hembra de 2 contactos para accesorio desbloqueo caja de control a distancia
- 6 - 6A Predisposiciones para racores (Agujerear en caso de necesidad de los racores 6A)

**RS 44/M MZ trifásico**

- 1- Conector hembra de 7 contactos para alimentación monofásica, termostato/presostato TL
- 2- Conector hembra de 6 contactos para válvula de gas, presostato gas o dispositivo para el control de estanqueidad válvulas
- 3- Conector hembra de 4 contactos para termostato/presostato TR (con cubierta extraíble)
- 4- Conector hembra de 5 contactos para la alimentación trifásica
- 5- Conector hembra de 2 contactos para accesorio desbloqueo caja de control a distancia
- 6 - 6A Predisposiciones para racores (Agujerear en caso de necesidad de los racores 6A)



La cubierta del conector se debe quitar sólo en caso de uso del conector hembra de 4 contactos. Si no se utiliza el conector hembra de 4 contactos es obligatorio aplicar la cubierta. El fabricante declina toda responsabilidad ante la inobservancia de lo indicado en este manual.



**CALIBRACIÓN RELÉ TÉRMICO (RS 44/M MZ TRIFÁSICO)**

Sirve para evitar que se quemé el motor por un fuerte aumento del consumo debido a la ausencia de una fase.

- Si el motor es alimentado en estrella, **400V**, el cursor debe situarse en "MIN".
- Si el motor es alimentado a triángulo, **230V**, el cursor debe situarse en "MAX".

Aunque la escala del relé térmico no comprenda el consumo nominal del motor a 400V, la protección está igualmente asegurada.



## NOTAS

- El modelo RS 44/M MZ trifásico sale de fábrica previsto para una alimentación eléctrica de **400V**. Si la alimentación es a **230V**, cambiar el conexionado del motor (de estrella a triángulo) y la regulación del relé térmico.
- Los quemadores RS 34-44/M MZ han sido homologados para funcionar de modo intermitente. Ello significa que deben pararse “por Norma” al menos una vez cada 24 horas para permitir que la caja de control efectúe una verificación de la eficacia al arranque. Normalmente la detención del quemador está asegurada por el termostato/presostato de la caldera. Si no fuese así, debería colocarse en serie con el interruptor IN, un interruptor horario que parase el quemador al menos una vez cada 24 horas.
- Los quemadores RS 34-44/M MZ salen de fábrica preparados para el funcionamiento 2 llamas y por tanto se debe conectar el termostato/presostato TR. En cambio, si se desea que el quemador tenga un funcionamiento monoestadio, introducir, en sustitución del termostato/presostato TR, un puente entre los bornes T6 - T7 del conector macho X4.

### FUNCIONAMIENTO MODULANTE

Si se conectan los Kit regulador de potencia RWF40 o del convertidor 0...10V / 4...20mA, en señal a 3 puntos, se debe retirar el termostato/presostato TR (si se desengancha el conector macho de 4 contactos, colocar la cubierta suministrada).

Retire también el termostato/presostato TL exclusivamente mediante el regulador RWF 40.



**ATENCIÓN:**

- No invertir el neutro con la fase en la línea de alimentación eléctrica. la inversión provocaría un bloqueo por fallo en el encendido.
- Sustituir los componentes sólo con recambios originales.



## DECLARAÇÃO DE CONFORMIDADE A.R. 8/01/2004 & 17/07/2009 – Bélgica

Produtor: RIELLO S.p.A.  
I - 37045 Legnago (VR)  
Tel. +39.0442.630111

Colocada em circulação por: RIELLO NV  
Ninovesteenweg 198  
9320 Erembodegem  
Tel. (053) 769 030  
Fax. (053) 789 440  
e-mail. info@riello.be  
URL. www.riello.be

Certifica-se com a presente que a série de equipamentos especificada a seguir está conforme ao modelo do tipo descrito na declaração de conformidade CE, e é produzida e colocada em circulação em conformidade aos pedidos definidos no Decreto-lei de 8 de Janeiro de 2004 e 17 Julho 2009.

Tipo de produto: Queimador a gás com ar insuflado

		Modelo	
		874T	875T
Valores medidos *	média NOx (mg/kWh)	103	89
	CO max (mg/kWh)	7	2

\* Funcionamento a gás natural (Fam. 2)

Norma aplicada: EN 676 e A.R. de 8 de Janeiro de 2004 - 17 Julho 2009

Organismo de controlo: TÜV SÜD Industrie Service GmbH  
Ridlerstrasse, 65  
80339 Munchen DEUTSCHLAND

### Declaração do fabricante

RIELLO S.p.A. declara que os seguintes produtos respeita os valores limite dos NOx impostos pela normativa alemã "1. BImSchV revisão 26.01.2010".

Produto	Tipo	Modelo	Potência
Queimador a gás com ar insuflado	875 T	RS 44/M MZ	80 - 550 kW

Legnago, 02.01.2012

Ing. G. Conticini  
Direção Divisão Queimadores  
RIELLO S.p.A.



- ▶ O queimador é **munido de marcação CE** e conforme aos requisitos essenciais das seguintes Directivas:
  - CE Reg. N.: **0085BR0378** segundo 90/396/CEE;
  - Directiva Compatibilidade Electromagnética 2004/108/CE;
  - Directiva baixa tensão 2006/95/CE;
  - Directiva Máquinas 2006/42/CE;
- ▶ O queimador responde ao grau de protecção IP 40 segundo EN 60529.

## IDENTIFICAÇÃO

A Chapa de identificação do produto contém o número de matrícula, o modelo e os principais dados técnicos e de rendimentos. A alteração, remoção, a falta da Chapa de identificação não consente a identificação segura do produto e torna dificultosa e/ou perigosa qualquer operação de instalação e de manutenção.

## ADVERTÊNCIAS GERAIS

Para garantir uma combustão com uma taxa mínima de emissões poluidoras, as dimensões e o tipo de câmara de combustão do gerador de calor, devem corresponder a valores bem definidos.

Portanto, antes de escolher este tipo de queimador para associá-lo com uma caldeira é aconselhável consultar o Serviço Técnico de Assistência.

O pessoal habilitado é aquele que possui os requisitos técnicos e profissionais indicados pela lei de 5 de Março de 1990 n° 46. A organização comercial dispõe de uma rede capilar de agências e serviços técnicos cujo pessoal participa periodicamente a cursos de Instrução e actualização no Centro de Formação empresarial.

Este queimador deve ser destinado somente ao uso para o qual foi expressamente realizado.

É excluída qualquer responsabilidade contratual e extra-contratual do fabricante pelos danos causados a pessoas, animais e coisas por erros na instalação e calibragem do queimador, por uso impróprio, erróneo e irracional, por não observância do manual de instruções entregue com o próprio queimador e pela intervenção de pessoal não habilitado.

## INFORMAÇÕES PARA O UTILIZADOR


No caso se verificasse anomalias no acendimento ou no funcionamento, o queimador efectuará uma “paragem de segurança”, identificado com a sinalização vermelha de bloqueio do queimador. Para restabelecer as condições de arranque premer o botão de desbloqueio. No momento em que o queimador começa funcionar de novo, a luz vermelha desliga-se.

A dita operação pode ser repetida ao máximo por 3 vezes. No caso de repetidas “paragens de segurança” impõe a intervenção do Serviço Técnico de Assistência.

## REGRAS FUNDAMENTAIS DE SEGURANÇA

- ▶ É proibido o uso do aparelho por parte de crianças ou pessoas inexperientes.
- ▶ É rigorosamente proibido tapar as grelhas de aspiração ou de dissipação e a abertura de ventilação do local onde está instalado o aparelho com farrapos, papéis ou outro tipo de material.
- ▶ O pessoal não autorizado está proibido de efectuar qualquer tipo de reparação do aparelho.
- ▶ É perigoso puxar ou torcer os cabos eléctricos.
- ▶ É proibido efectuar qualquer operação de limpeza antes de ter desligado o aparelho da rede de alimentação eléctrica.
- ▶ Não efectuar limpezas do queimador nem nas suas peças com substâncias facilmente inflamáveis (ex. gasolina, álcool, etc.).  
A limpeza da capa deve ser efectuada somente com água ensaboada.
- ▶ Não apoiar objectos sobre o queimador.
- ▶ Não deixar contentores e substâncias inflamáveis no local onde está instalado o aparelho.

Em algumas partes do manual são utilizados os símbolos:

 **ATENÇÃO** = para acções que requerem um particular cuidado e uma preparação adequada.

 **PROIBIDO** = para acções que **NÃO DEVEM** absolutamente ser executadas.

<b>DADOS TÉCNICOS</b> .....	página 2
Versões construtivas .....	2
Acessórios .....	3
Descrição do queimador .....	4
Embalagem - Peso.....	4
Dimensões .....	4
Forma de fornecimento .....	4
Campos de trabalho.....	5
Caldeira de ensaio .....	5
Caldeiras comerciais .....	5
Pressão do gás .....	6
<b>INSTALAÇÃO</b> .....	<b>7</b>
Posição de funcionamento.....	7
Placa da caldeira .....	7
Comprimento do tubo de fogo .....	7
Fixação do queimador à caldeira .....	7
Regulação do cabeçal de combustão .....	8
Linha de alimentação gás .....	9
Regulação prévia ao acendimento.....	10
Servomotor.....	10
Arranque do queimador .....	10
Acendimento do queimador .....	10
Regulação do queimador: .....	11
Determinação potência de acendimento .....	11
1 - Potência de acendimento MIN .....	11
2 - Potência MÁX. ....	12
3 - Potências intermédias.....	12
4 - Pressostato de ar .....	13
5 - Pressostato gás de mínima.....	13
Controlo de presença de chama .....	13
Funcionamento do queimador .....	14
Controlo final .....	15
Manutenção .....	15
Manutenção quadro eléctrico .....	16
Anomalia - Causa Provável - Solução .....	18
Funcionamento normal / tempo de observação da chama .....	19
<b>Apêndice</b> .....	<b>20</b>
Esquema quadro eléctrico .....	22

**Nota**

As figuras mencionadas no texto identificam-se da seguinte forma:  
 1)(A) = Pormenor 1 da figura A, na mesma página que o texto;  
 1)(A)p.3 = Pormenor 1 da figura A, página 3.

**INTRODUÇÃO**

- O manual de instrução fornecido junto com o queimador:
- é parte integrante e essencial do produto e não deve ser separado do mesmo; portanto, deve ser conservado com cuidado caso se necessite consultá-lo, e deve acompanhar o queimador se este for cedido a um outro proprietário ou usuário, ou em caso de transferência a um outro estabelecimento. Em caso de dano ou perda, de ser pedido um outro exemplar ao Serviço de Assistência Técnica **RIELLO** de Zona;
  - foi realizado para ser utilizado por pessoal qualificado;
  - fornece importantes indicações e advertências sobre a segurança na instalação, a colocação em funcionamento, o uso e a manutenção do queimador.

**ENTREGA DA INSTALAÇÃO E DO MANUAL DE INSTRUÇÕES**

- Por ocasião da entrega da instalação, é necessário que:
- O manual de instruções seja entregue pelo fornecedor da instalação ao usuário, com a advertência que este seja conservado no local de instalação do gerador de calor.
  - No manual de instruções estão indicados:
    - o número de matrícula do queimador;

.....

- o endereço e o número de telefone do Centro de Assistência mais próximo;

.....  
 .....  
 .....

- O fornecedor da instalação deve informar o usuário atentamente sobre:
    - o uso da instalação,
    - os eventuais ulteriores testes que forem necessários antes da activação da instalação,
    - a manutenção e a necessidade de submeter a instalação pelo menos uma vez por ano ao controlo de um funcionário do Construtor ou por um outro técnico especializado.
- Para garantir um controlo periódico, **RIELLO** recomenda-se a estipulação de um Contrato de Manutenção.

**DADOS TÉCNICOS**
**P**

MODELO		RS 34/M MZ	RS 44/M MZ	RS 44/M MZ
TIPO		874T	875T	875T
POTÊNCIA (1)	MÁX.	kW 125 - 390 Mcal/h 108 - 336	203 - 550 175 - 473	203 - 550 175 - 473
	MÍN.	kW 45 Mcal/h 39	80 69	80 69
COMBUSTÍVEL		GAS NATURAL: G20 - G21 - G22 - G23 - G25		
		G20 G25	G20 G25	G20 G25
- poder calorífico inferior	kWh/Sm <sup>3</sup> Mcal/Sm <sup>3</sup>	9,45 8,13 8,2 7,0	9,45 8,13 8,2 7,0	9,45 8,13 8,2 7,0
- densidade absoluta	kg/Sm <sup>3</sup>	0,71 0,78	0,71 0,78	0,71 0,78
- caudal máximo	Sm <sup>3</sup> /h	41 48	58 67,6	58 67,6
- pressão a máximo caudal (2)	mbar	13,1 18,4	16,7 23,2	16,7 23,2
FUNCIONAMENTO		<ul style="list-style-type: none"> <li>Intermitente (mín. 1 paragem em 24 horas).</li> <li>Dois estágios progressivos ou modulante com kit (ver ACESSÓRIOS).</li> </ul>		
UTILIZAÇÃO		Caldeiras: de água, a vapor e óleo diatérmico		
TEMPERATURA AMBIENTE	°C	0 - 40		
TEMPERATURA AR COMBURENTE	°C máx	60		
ALIMENTAÇÃO ELÉCTRICA	V Hz	230 ~ +/-10% 50/60 - monofásica		230 - 400 com neutro ~ +/-10% 50/60 - trifásica
MOTOR ELÉCTRICO	rpm W V	2800 300 220 - 240	2800 420 220 - 240	2780 450 220/240-380/415
INTENSIDADE DE ARRANQUE	A	15	17	14 - 10
INTENSIDADE DE FUNCIONAMENTO	A	3,2	3,5	2 - 1,4
CONDENSADOR DO MOTOR	mF/V	12,5/260	12,5/420	-
TRANSFORMADOR DE ACENDIMENTO	V1 - V2 I1 - I2	230 V - 1 x 15 kV 1 A - 25 mA		
POTÊNCIA ELÉCTRICA ABSORVIDA	W max	600	700	750
NÓVEL SONORO (3)	PRESSÃO ACÚSTICA POTÊNCIA ACÚSTICA	dBA 68 79	70 81	70 81
HOMOLOGAÇÃO	CE	0085BR0378	0085BR0378	0085BR0378

(1) Condições de referência: Temperatura ambiente 20°C - Temperatura gás 15°C - Pressão barométrica 1013 mbar - Altitude acima do nível do mar 0 metros.

(2) Pressão na tomada 7)(A)p.4 com pressão zero na câmara de combustão.

(3) Teste das emissões acústicas realizadas segundo a normativa EN 15036-1 com exactidão de medida  $\sigma = \pm 1,5$  dB, no laboratório de combustão do construtor com queimador funcionando em caldeira de ensaio à máxima potência.

**VERSÕES CONSTRUTIVAS**

MODELO	ALIMENTAÇÃO ELÉCTRICA	COMPRIMENTO TUBO DE FOGO mm
RS 34/M MZ	monofásico	216
	monofásico	351
RS 44/M MZ	monofásico	216
	monofásico	351
	trifásico	351

**CATEGORIA GAS**

PAÍS	CATEGORIA
IT - AT - GR - DK - FI - SE	II <sub>2</sub> H3B / P
ES - GB - IE - PT	II <sub>2</sub> H3P
NL	II <sub>2</sub> L3B / P
FR	II <sub>2</sub> Er3P
DE	II <sub>2</sub> ELL3B / P
BE	I <sub>2</sub> E(R)B, I <sub>3</sub> P
LU	II <sub>2</sub> E 3B/P

## ACESSÓRIOS (por encomenda):

### • KIT PROTECÇÃO CONTRA AS RÁDIO-INTERFERÊNCIAS

No caso de instalação do queimador em ambientes especiais sujeitos a rádio-interferências (emissão de sinais superiores a 10 V/m) devido a presença de INVERTER ou em aplicações onde os comprimentos das conexões do termostato superem os 20 metros, está disponível um kit de protecção como interface entre a aparelhagem e o queimador.

<b>QUEIMADOR</b>	<b>RS 34-44/M MZ</b>
Código	3010386

### • KIT CABEÇA COMPRIDA

<b>QUEIMADOR</b>	<b>RS 34/M MZ</b>	<b>RS 44/M MZ</b>
Código	3010428	3010429

• **KIT PARA FUNCIONAMENTO COM GPL:** o kit permite que os queimadores RS 34-44/M funcionem com GPL.

<b>QUEIMADOR</b>	<b>RS 34/M MZ</b>	<b>RS 44/M MZ</b>
Potência kW	80/125 - 390 kW	120/200 - 530 kW
Comprimento do tubo de fogo mm	216 - 351	216 - 351
Código	3010423	3010424

### • KIT PARA FUNCIONAMENTO MODULAR

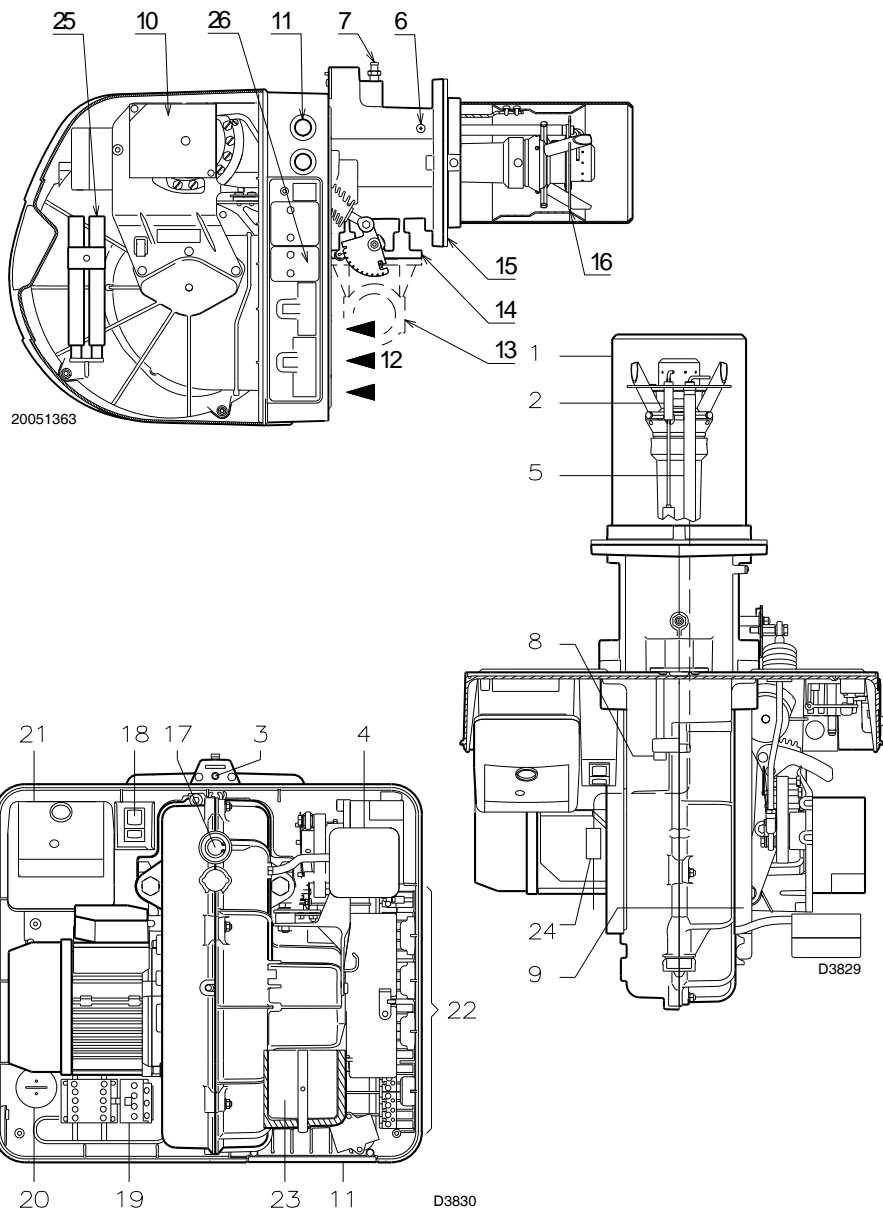
<b>KIT REGULADOR DE POTÊNCIA RWF40</b>				<b>KIT REGULADOR DE POTÊNCIA COM SINAL 4-20 mA, 0-10V</b>					
É necessário encomendar os dois componentes: • O Regulador de potência, que é instalado no queimador; • a Sonda a instalar no gerador de calor				É necessário encomendar os dois componentes: • o Conversor de sinal analógico; • o Potenciómetro					
Parâmetro a controlar		Sonda		Regulador de potência		Potenciómetro		Conversor de sinal analógico	
	Campo de regulação	Tipo	Código	Tipo	Código	Tipo	Código	Tipo	Código
Temperatura	- 100...+500°C	PT 100	3010110	RWF40	3010417	ASZ...	3010420	E5202	3010410
Pressão	0...2,5 bar 0...16 bar	Sonda com saída 4...20 mA	3010213 3010214						

• <b>KIT POTENCIÓMETRO PARA INDICAÇÃO POSIÇÃO DE CARGA</b>	cód. 3010420
• <b>PRESSOSTATO GÁS DE MÁXIMA</b>	cód. 3010418
• <b>KIT CONTACTOS LIMPOS</b>	cód. 3010419
• <b>KIT POST-VENTILAÇÃO</b>	cód. 3010451

• <b>KIT INTERRUPTOR DIFERENCIAL</b>	cód. 3010448
• <b>KIT VENTILAÇÃO CONTÍNUA</b>	cód. 3010449
• <b>KIT CONTADOR DE HORAS</b>	cód. 3010450
• <b>KIT INTERFACE ADAPTER RMG TO PC</b>	cód. 3002719

• **LINHAS DE GÁS A EMPARELHAR AO QUEIMADOR CONFORME A NORMA EN 676 (completas, com válvulas, regulador de pressão e filtro):** ver pág. 9.

**NOTA:** O instalador é responsável pela eventual incorporação de dispositivos de segurança não previstos neste manual.



## DESCRIÇÃO DO QUEIMADOR (A)

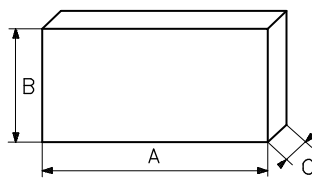
- 1 Cabeçal de combustão
- 2 Electrodo de acendimento
- 3 Parafuso de regulação do cabeçal de combustão
- 4 Pressostato de ar (tipo diferencial)
- 5 Sonda para o controlo de presença chama
- 6 Tomada de pressão do ar
- 7 Tomada de pressão do gás e parafuso de fixação do cabeçal
- 8 Parafuso de fixação do ventilador à mangueira
- 9 Guias para abertura do queimador e inspeção do cabeçal de combustão
- 10 Servomotor, para o controlo da válvula borboleta do gás e, através de uma came de perfil variável, a comporta do ar. Quando o queimador está parado, a comporta de ar está completamente fechada de forma a reduzir ao mínimo a dispersão térmica da caldeira devido ao tipo de conduta de fumos que toma o ar da boca de aspiração do ventilador.
- 11 Zonas para passagem cabos eléctricos
- 12 Entrada de ar do ventilador
- 13 Conduta de entrada de gás
- 14 Válvula borboleta gás
- 15 Flange para fixação à caldeira
- 16 Disco estabilizador da chama
- 17 Visor chama
- 18 Um interruptor para:  
o funcionamento automático - manual - paragem  
Um botão para:  
aumento - diminuição da potência
- 19 Contactador motor e relé térmico com botão de rearme (RS 44/M MZ trifásico)
- 20 Condensador motor (RS 34-44/M MZ monofásico)
- 21 Caixa de controlo com piloto luminoso de bloqueio e botão de desbloqueio
- 22 Tomadas para a conexão eléctrica
- 23 Comporta de ar
- 24 Ficha-tomada do cabo da sonda de ionização
- 25 Extensões guias (versão cabeça comprida)
- 26 Cobertura da tomada de 4 pólos (ver apêndice quadro eléctrico)

Existem duas possibilidades de bloqueio do queimador:

- **BLOQUEIO DA CAIXA DE CONTROLO:**  
ao ficar aceso o botão da caixa 21)(A) indica que o queimador está bloqueado.  
Para desbloquear, premir o botão.
- **BLOQUEIO MOTOR (RS 44/M MZ trifásico):**  
alimentação eléctrica de três fases, para desbloquear premir o botão do relé térmico 19)(A).

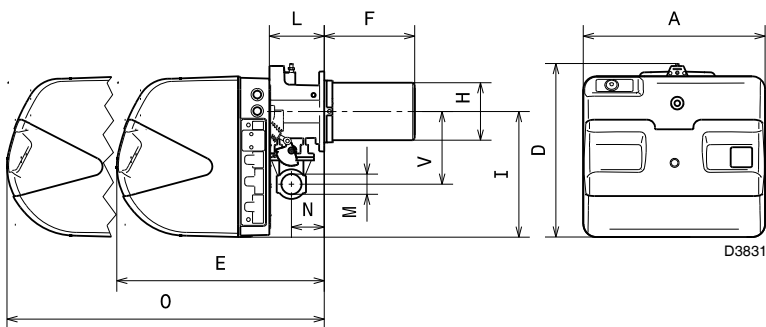
(A)

mm	A	B	C	kg
RS 34/M MZ	1000	500	485	32
RS 44/M MZ	1000	500	485	33



(B)

D88



D3831

(C)

mm	A	D	E	F (1)	H	I	L	O	N	V	M
RS 34/M MZ	442	422	508	216-351	140	305	138	780	84	177	1"1/2
RS 44/M MZ	442	422	508	216-351	152	305	138	780	84	177	1"1/2

(1) Tubo de fogo: curto-longo

**EMBALAGEM - PESO (B)** - medidas aproximadas

- Os queimadores são fornecidos em embalagem de cartão, cujas dimensões são especificadas na tabela (B).
- O peso do queimador completo com a embalagem é indicado na tabela (B).

**DIMENSÕES MÁXIMAS (C)** - medidas aproximadas

As dimensões máximas do queimador são indicadas em fig.(C).

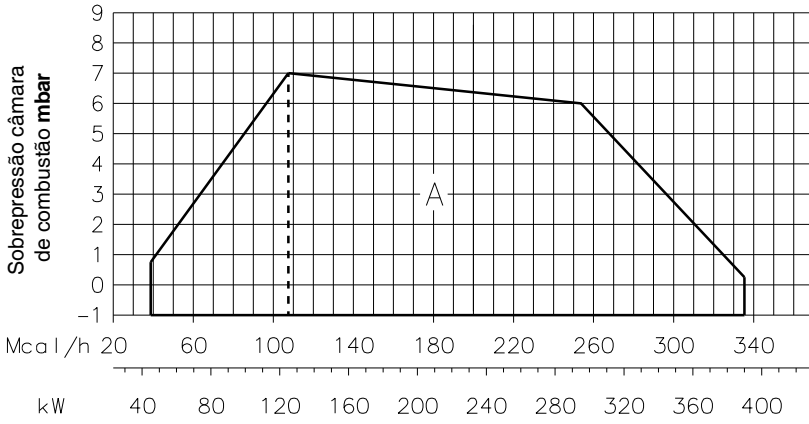
Lembrar-se de que, para inspeccionar o cabeçal de combustão o queimador deve estar em posição atrasada.

**FORMA DE FORNECIMENTO**

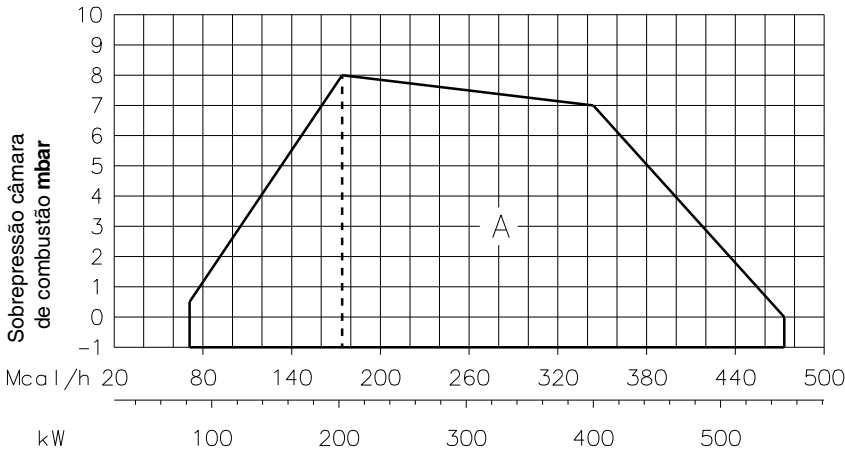
- 1 - Flange de ligação à linha de gás
- 1 - Junta da flange
- 4 - Parafusos M 8 x 25 de fixação da flange
- 4 - Parafusos para fixar a flange do queimador à caldeira M 8 x 25
- 1 - Junta isolante
- 3 - Fichas para conexões eléctricas (RS 34-44/M MZ monofásico)
- 4 - Fichas para conexões eléctricas (RS 44/M MZ trifásico)
- 1 - Instruções
- 1 - Lista de peças de substituição



RS 34/M MZ

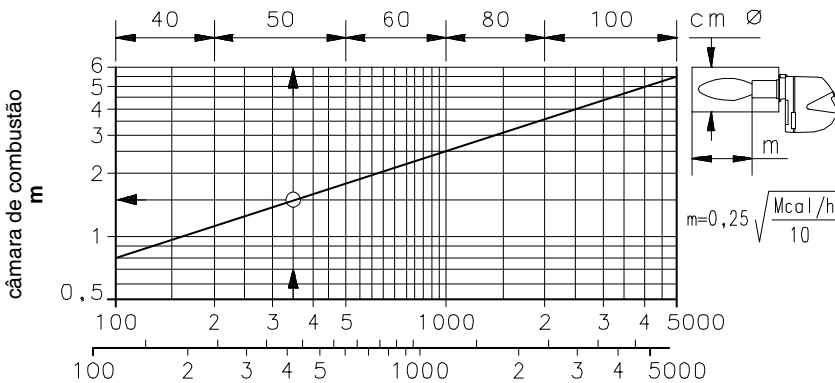


RS 44/M MZ



(A)

D9304



(B)

D497

**CAMPOS DE TRABALHO (A)**

Durante o funcionamento, a potência do queimador varia entre:

- uma **POTÊNCIA MÁXIMA**, localizada na zona A,
- e uma **POTÊNCIA MÍNIMA**, que não deve ser inferior ao limite mínimo do gráfico:

RS 34/M MZ = 45 kW  
RS 44/M MZ = 80 kW

**Atenção**

O CAMPO DE TRABALHO foi calculado à temperatura ambiente de 20 °C, à pressão barométrica de 1013 mbar (aprox. 0 metros acima do nível do mar) e com o cabeçal de combustão regulado conforme se indica na página 8.

**CALDEIRA DE ENSAIO (B)**

Os gráficos foram obtidos com caldeiras de ensaio especiais, conforme a norma EN 676.

Na figura (B) é indicado o diâmetro e o comprimento da câmara de combustão da caldeira de ensaio.

**Exemplo**

Potência 350 Mcal/h:  
diâmetro 50 cm - comprimento 1,5 m.

**CALDEIRAS COMERCIAIS**

Não existe problema algum no acoplamento queimador-caldeira se esta tiver homologação CE e se as dimensões da câmara de combustão se aproximam das indicadas no gráfico (B). Se, pelo contrário, o queimador for instalado numa caldeira comercial não homologada CE ou com as dimensões da câmara de combustão muito mais pequenas que as indicadas no gráfico (B), deve-se consultar o fabricante.

Além disso, para caldeiras de inversão, aconselha-se de controlar o comprimento do cabeçal de combustão segundo quanto prescrito pelo construtor da caldeira.

**RS 34/M MZ**

$\Delta p$  (mbar)

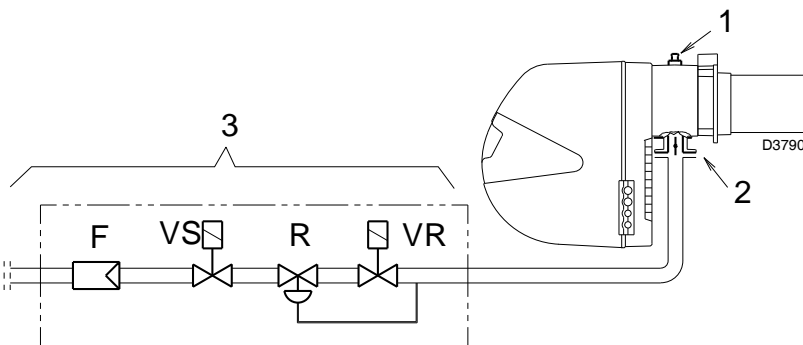
kW	1	2	3				
			MB 407 S2 (Rp 3/4")	MB 410 S2 (Rp 1")	MB 412 S2 (Rp 1.1/4")	MB 415 S2 (Rp 1.1/2")	MB 420 S2 (Rp 2")
130	1,5	0,1	8,6	4,4	2,3	--	--
140	2,0	0,1	9,7	5,0	2,6	--	--
160	2,9	0,1	12,3	6,2	3,2	--	--
180	3,8	0,2	15,1	7,6	3,8	--	--
200	4,6	0,2	18,1	9,0	4,5	--	--
220	5,5	0,3	21,2	10,6	5,3	--	--
240	6,4	0,3	24,6	12,3	6,1	3,2	--
260	7,3	0,4	28,2	14,1	6,9	3,5	--
280	8,2	0,4	32,3	16,0	7,8	3,9	--
300	9,1	0,5	36,6	18,0	8,7	4,3	--
320	10,0	0,5	41,2	20,0	9,6	4,7	3,2
340	10,9	0,6	45,6	22,0	10,7	5,1	3,3
360	11,8	0,7	50,2	23,9	11,8	5,6	3,5
380	12,7	0,8	54,9	26,0	13,0	6,0	3,8
390	13,1	0,8	57,4	27,0	13,5	6,3	4,0

**RS 44/M MZ**

$\Delta p$  (mbar)

kW	1	2	3					
			MB 407 S2 (Rp 3/4")	MB 407 S5 (Rp 3/4")	MB 410 S2 (Rp 1.1/4")	MB 412 S2 (Rp 1.1/4")	MB 415 S2 (Rp 1.1/2")	MB 420 S2 (Rp 2")
200	3,0	0,2	18,1	18,1	9,0	4,5	--	--
225	4,0	0,3	22,1	22,1	11,0	5,5	3,2	--
250	4,9	0,3	26,4	26,4	13,2	6,5	3,3	--
275	5,9	0,4	31,3	31,3	15,5	7,6	3,8	--
300	6,9	0,5	36,6	36,6	18,0	8,7	4,3	--
325	7,9	0,6	42,2	42,2	20,5	9,9	4,8	3,2
350	8,9	0,6	47,8	47,8	22,9	11,2	5,4	3,4
375	9,8	0,7	53,7	53,7	25,4	12,7	5,9	3,8
400	10,8	0,8		59,9	28,1	14,0	6,5	4,1
425	11,8	1,0		66,4	30,8	15,4	7,1	4,5
450	12,8	1,1		73,2	33,6	16,8	7,7	4,9
475	13,8	1,2		80,3	36,5	18,3	8,3	5,3
500	14,7	1,3		87,6	39,5	19,8	9,0	5,7
525	15,7	1,5		95,1	42,6	21,4	9,6	6,1
550	16,7	1,6		103,0	45,8	23,1	10,2	6,6

(A)



(B)

**PRESSÃO DO GÁS**

As tabelas existentes na margem indicam as perdas de carga mínimas da linha de alimentação de gás em função da potência máxima do queimador.

Coluna 1

Perda de carga cabeçal de combustão. Pressão do gás na tomada 1)(B), com câmara de combustão a 0 mbar.

Coluna 2

Perda de carga registo borboleta gás 2)(B) com abertura máxima: 90°.

Coluna 3

Perda de carga rampa de gás 3)(B) compreende: válvula de regulação VR, válvula de segurança VS (ambas com a máxima abertura), regulador de pressão R, filtro F.

Os valores indicados nas tabelas referem-se a: gás natural G 20 PCI 9,45 kWh/Sm<sup>3</sup> (8,2 Mcal/Sm<sup>3</sup>)

Com:

gás natural G 25 PCI 8,13 kWh/Sm<sup>3</sup> (7,0 Mcal/Sm<sup>3</sup>)

multiplicar os valores da tabela:

- coluna 1-2: para 1,5;
- coluna 3: para 1,35.

Para conhecer a potência MÁX aproximada à que está a funcionar o queimador:

- Subtrair à pressão do gás na toma 1)(B) a sobrepressão da câmara de combustão.
- Procurar na tabela relativa ao queimador desejado, o valor de pressão mais próximo ao resultado obtido na subtração.
- Ler à esquerda a potência correspondente.

**Exemplo - RS 34/M MZ:**

- Funcionamento à MÁX potência
- Gás natural G 20 PCI 9,45 kWh/Sm<sup>3</sup>
- Pressão do gás na tomada 1)(B) = 9,3 mbar
- Pressão na câmara de combustão = 2 mbar  
9,3 - 2 = 7,3 mbar

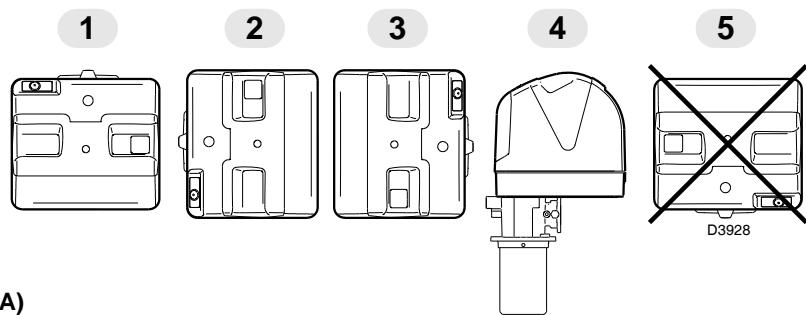
À pressão de 9,3 mbar, coluna 1, corresponde na tabela do RS 34/M uma potência de 260 kW. Este valor serve como primeira aproximação; o real determinar-se-á através do contador.

Pelo contrário para conhecer a pressão do gás necessária na toma 1)(B), uma vez fixada a potência MÁX à qual se deseja que o queimador funcione:

- procurar a potência mais próxima ao valor desejado, na tabela relativa ao queimador que se considere.
- Ler à direita, coluna 1, a pressão na tomada 1)(B).
- Somar a este valor a sobrepressão estimada na câmara de combustão.

**Exemplo - RS 34/M MZ:**

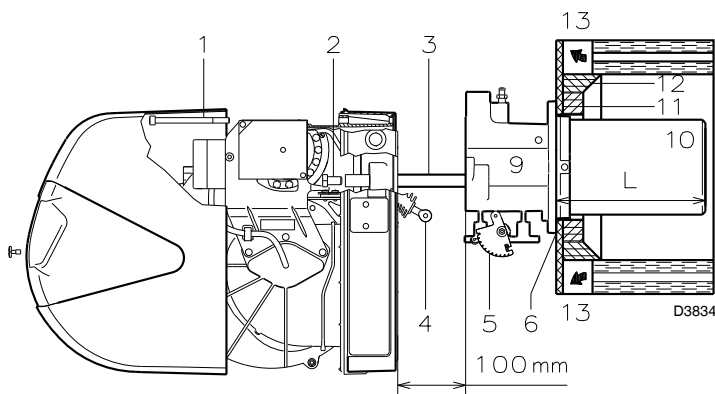
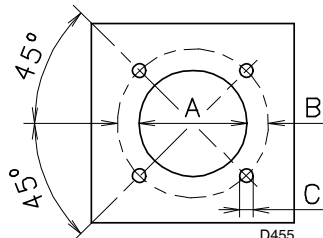
- Potência MÁX desejada: 260 kW
- Gás natural G 20 PCI 9,45 kWh/Sm<sup>3</sup>
- Pressão do gás à potência de 260 kW, na tabela do RS 34/M MZ, coluna 1A = 7,3 mbar
- Pressão na câmara de combustão = 2 mbar  
7,3 + 2 = 9,3 mbar  
pressão necessária na tomada 1)(B).



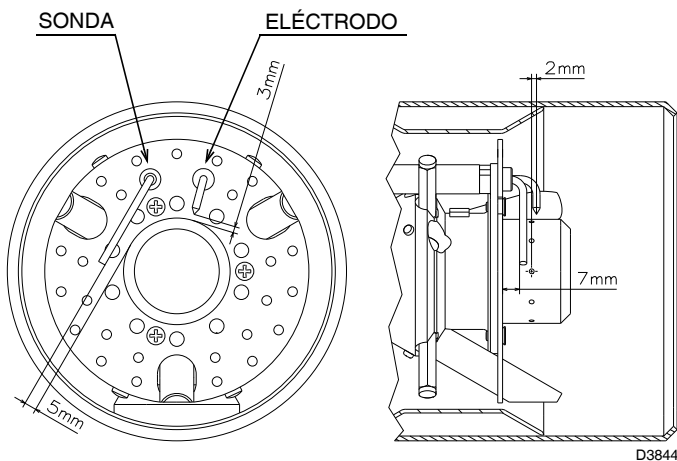
(A)

mm	A	B	C
RS 34/M MZ	160	224	M 8
RS 44/M MZ	160	224	M 8

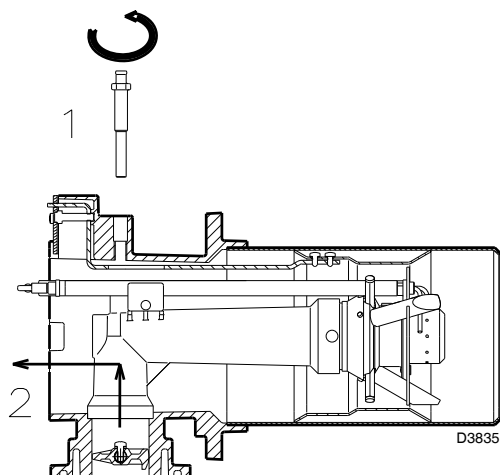
(B)



(C)



(D)



(E)

## INSTALAÇÃO

**⚠ A INSTALAÇÃO DO QUEIMADOR DEVE SER REALIZADA EM CONFORMIDADE COM AS LEIS E NORMAS LOCAIS.**

### POSIÇÃO DE FUNCIONAMENTO (A)

**⚠** O queimador está pre-configurado exclusivamente para o funcionamento nas posições 1, 2, 3 e 4.

A instalação 1 é preferível pois é a única que permite a manutenção como descrita a seguir neste manual. As instalações 2, 3 e 4 consentem o funcionamento mas tornam menos acessíveis as operações de manutenção e inspeção do cabeçal de combustão pág. 15.

**⊘** Qualquer outro posicionamento pode comprometer o bom funcionamento do aparelho. A instalação 5 é proibida por motivos de segurança.

### PLACA DA CALDEIRA (B)

Furar a placa de fecho da câmara de combustão, tal como está indicado em (B). Pode marcar-se a posição dos orifícios roscados utilizando a junta isolante que é fornecida com o queimador.

### COMPRIMENTO DO TUBO DE FOGO (C)

O comprimento do tubo de fogo deve ser seleccionado de acordo com as indicações do fabricante da caldeira e, em qualquer caso, deve ser maior que a espessura da porta da caldeira completa, com o material refractário incluído.

Os comprimentos, L (mm), disponíveis são:

tubo chama 10)	RS 34/M MZ	RS 44/M MZ
• curto	216	216
• longo	351	351

Para caldeiras com passagens de fumos dianteiras 13) ou com câmara de inversão de chama, colocar uma protecção em material refractário 11) entre o refractário da caldeira 12) e o tubo de fogo 10).

Esta protecção deve permitir o deslocamento do tubo de fogo. Nas caldeiras com frontal refrigerado por água, não é necessário o revestimento refractário 11)-12)(C), salvo se este for indicado pelo fabricante da caldeira.

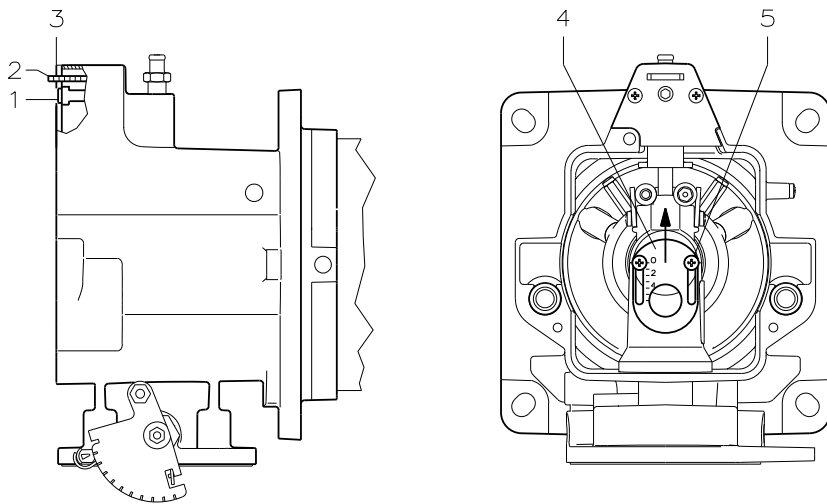
### FIXAÇÃO DO QUEIMADOR À CALDEIRA (C)

Antes de fixar o queimador à caldeira, verificar (através da abertura do tubo de fogo) se a sonda e o eléctrodo de acendimento estão correctamente posicionados como indica a figura (D). Seguidamente separar o cabeçal de combustão do resto do queimador, fig. (C):

- desprender a articulação 4) do sector graduado 5);
- desenroscar os parafusos 2) das duas guias 3);
- desenroscar os parafusos 1) e deslocar o queimador pelas guias 3) cerca de 100 mm;
- desligar os cabos da sonda e do eléctrodo e seguidamente retirar por completo o queimador das guias.

Fixar a flange 9)(C) à placa da caldeira, intercalando a junta isolante 6)(C) fornecida. Utilizar os 4 parafusos fornecidos, depois de ter protegido a rosca com um produto antibloqueio. O acoplamento do queimador à caldeira deve ser hermético. Se na verificação anterior, a posição da sonda ou do eléctrodo não era correcta, desenroscar o parafuso 1)(E), retirar a parte interior 2)(E) do cabeçal e proceder à sua calibragem. Não rodar a sonda, mas sim, deixá-la conforme o indicado em (D), já que se esta se aproximar demasiado do eléctrodo de acendimento poderá danificar o amplificador da caixa de controlo.

**⚠ ATENÇÃO**  
Proceder à montagem da parte interna 2)(E) do cabeçal de combustão aparafusando o parafuso 1)(E) com um binário de aperto de  $4 \div 6 \text{ Nm}$ .



(A)

D8458

## REGULAÇÃO DO CABEÇAL DE COMBUSTÃO

Neste ponto da instalação, o tubo de fogo e o suporte queimador fixam-se à caldeira como é indicado na fig. (A). A regulação do cabeçal de combustão pode ser realizada portanto de modo particularmente fácil.

### Regulação do ar (A - B)

Rodar o parafuso 1)(A) até que a marca na folha laminada 2)(A) coincida com o plano da placa 3)(A).

#### Exemplo:

Queimador RS 44/M MZ, potência = 300 kW. Pelo diagrama (B) resulta que, com uma potência MAX de 300 kW, a regulação do ar tem que ser efectuada na marca 3, subtraída do valor de pressão na câmara. Neste caso, a perda de pressão do cabeçal de combustão é indicada na coluna 1 da pág. 6.

#### Nota

Se a pressão na câmara estiver corresponder a 0 mbar, a regulação do ar tem que ser efectuada com referência à linha tracejada do diagrama (B).

### Regulação de ar central (Fig. A - C)

Caso a específica aplicação requiera uma regulação especial, é possível modificar o caudal de ar central por meio do aro 4)(A) até a marca indicada no diagrama (C).

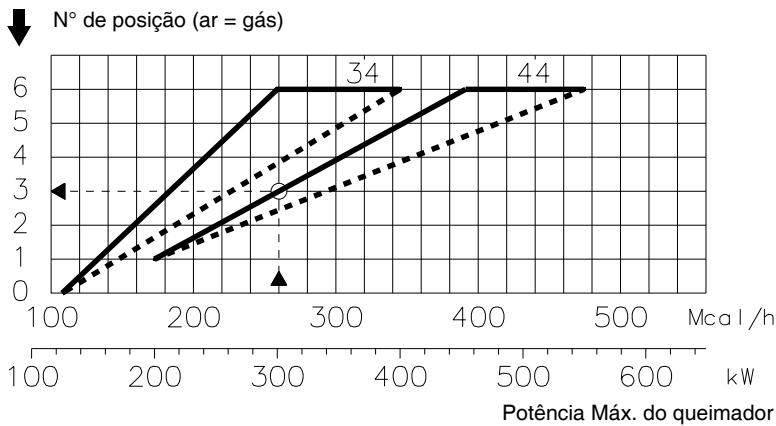
Para efectuar essa operação aliviar os parafusos 5)(A) e levantar para cima o aro 4)(A). Depois, bloquear novamente os parafusos 5)(A).

Finalizada a regulação do cabeçal, voltar a montar o queimador 4)(D) nas guias 3)(D) a cerca de 100 mm da mangueira 5)(D) - queimador na posição indicada na fig. (C)p.7 - ligar os cabos da sonda e do eléctrodo e seguidamente deslocar o queimador até a mangueira, queimador na posição indicada na fig. (D).

Voltar a colocar os parafusos 2) nas guias 3). Fixar o queimador à mangueira através do parafuso 1).

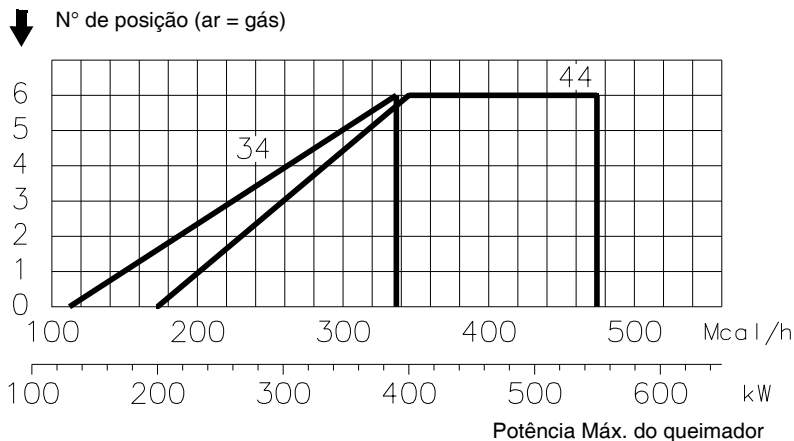
#### Atenção

No momento de fechar o queimador nas guias, é conveniente puxar suavemente para fora o cabo de alta tensão e da sonda de ionização até que estejam ligeiramente esticados.



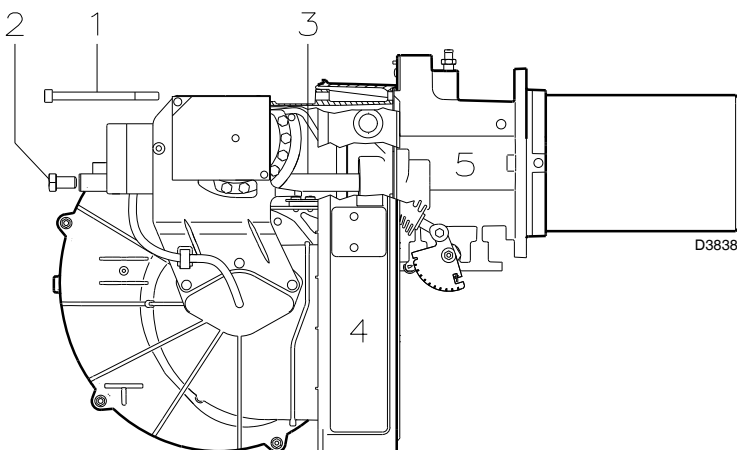
(B)

D3837



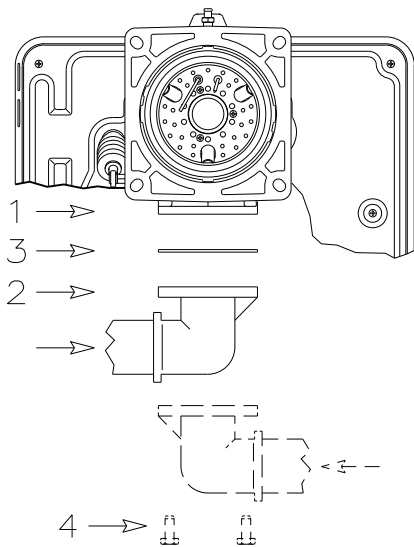
(C)

D8577



(D)

D3838



(A)

D3839

### LINHA DE ALIMENTAÇÃO DE GÁS

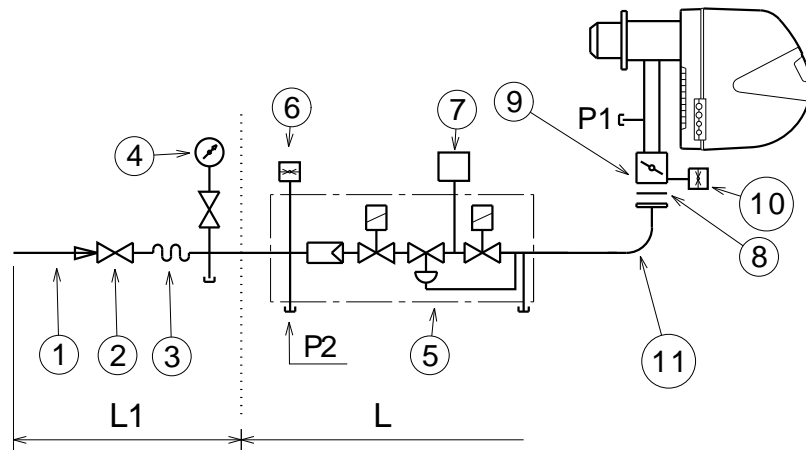
- A linha de gás está unida à ligação 1)(A), através da flange 2), a junta 3) e os parafusos 4), fornecidos com o queimador.
- A linha pode chegar pela direita ou pela esquerda, conforme convenha, ver fig. (A).
- As electroválvulas do gás devem estar o mais perto possível do queimador, para assegurar a chegada do gás ao cabeçal de combustão no tempo de segurança de 3 segundos.

### LINHA DE GÁS (B)

Está homologada, junto com o queimador, conforme a norma EN 676 e é fornecida em separado, com o número de referência que é indicado na tabela (C).

### LEGENDA (B)

- 1 - Condução de chegada do gás
  - 2 - Válvula manual
  - 3 - Junta antivibração
  - 4 - Manómetro com válvula de botão
  - 5 - Multibloc que inclui:
    - filtro (substituível)
    - válvula de funcionamento
    - regulação de pressão
  - 6 - Pressostato gás de mínima
  - 7 - Dispositivo de controlo estanquidade válvulas. Conforme a norma EN 676, o controlo de estanquidade é obrigatório para queimadores com potência máxima superior a 1200 kW.
  - 8 - Junta
  - 9 - Registro borboleta de gás
  - 10 - Pressostato gás de máxima (acessório)
  - 11 - Adaptador linha de gás-queimador
- P1 - Pressão no cabeçal de combustão  
 P2 - Pressão montante válvulas/regulador
- L - Linha de gás fornecida em separado, com o N° de Ref. que é indicado na tabela (C)  
 L1 - A cargo do instalador



(B)

D3791

### QUEIMADORES E RELATIVAS LINHAS DE GÁS HOMOLOGADOS CONFORME NORMA EN 676

LINHAS DE GÁS L				QUEIMADOR		7	11
Codice	Modello	Ø	C.T.	RS 34/M MZ	RS 44/M MZ	Codice	Codice
3970599	MB-DLE 407 S52	3/4"	-	-	•	-	3000824
3970553 3970229*	MB-DLE 407 S20	3/4"	-	•	•	3010123	3000824
3970554 3970230*	MB-DLE 410 S20	1"	-	•	•	3010123	3000824
3970144 3970231*	MB-DLE 412 S20	1"1/4	-	•	•	3010123	-
3970180 3970232*	MB-DLE 415 S20	1"1/2	-	•	•	3010123	-
3970181 3970233* 3970182 3970234*	MB-DLE 420 S20	2"	- - ♦ ♦	•	•	3010123 3010123 - -	3000822

\* Linhas de gás completas de ficha de 6 pólos para conexão ao queimador.

### LEGENDA TABELA (C)

C.T.= Dispositivo controlo estanquidade válvulas de gás:

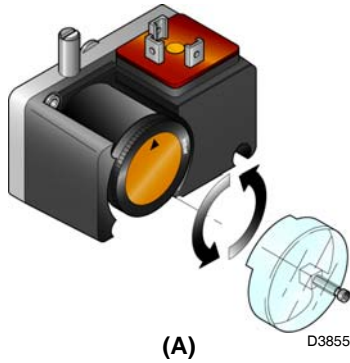
- = Linha de gás sem dispositivo para o controlo de estanquidade dispositivo que pode ser encomendado à parte, ver coluna 7, e montado sucessivamente.
- ♦ = Linha de gás com o dispositivo para o controlo de estaquicidade VPS montado.
- 7 = Dispositivo de controlo de estanquidade válvula VPS. É fornecido à parte da linha de gás, por encomenda.
- 11 = Adaptador linha de gás-queimador. É fornecido à parte da linha de gás, por encomenda.

### Nota

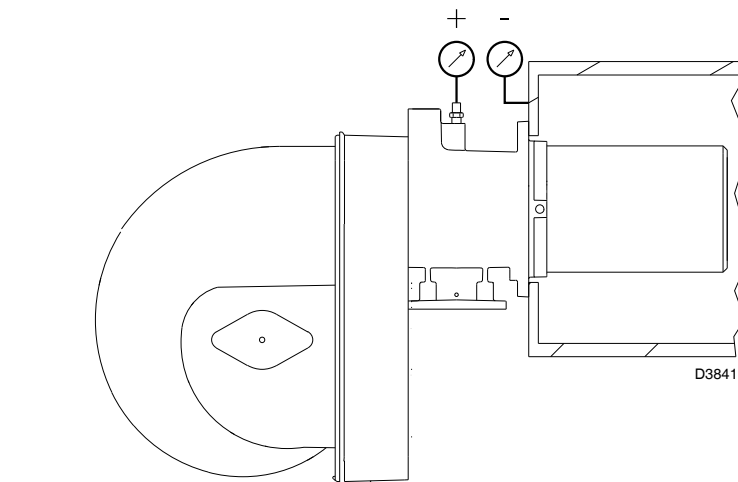
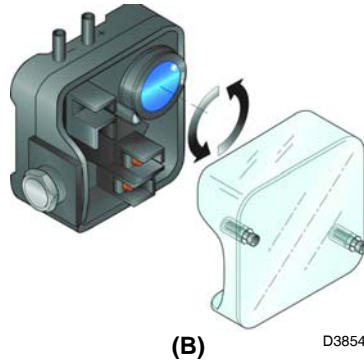
Para a regulação da linha de gás, ver as instruções que acompanham a mesma.

(C)

### PRESSOSTATO GÁS DE MÍN.

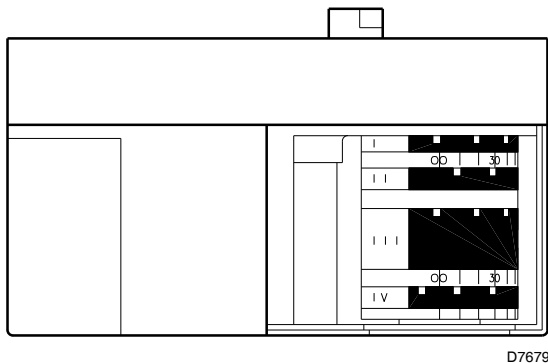


### PRESSOSTATO AR

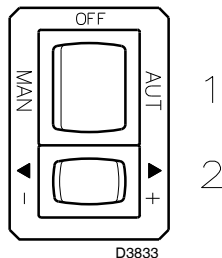


(C)

### SERVOMOTOR



(D)



(E)

## REGULAÇÃO PREVIA AO ACENDIMENTO

### ⚠ ATENÇÃO

O PRIMEIRO ACENDIMENTO DEVE SER EXECUTADO POR PESSOAL QUALIFICADO E DOTADO DE INSTRUMENTAÇÃO ADEQUADA.

A regulação do cabeçal de combustão, ar, já foi descrita na pág. 8.

Efectuar, ainda, as seguintes regulações:

- abrir as válvulas manuais localizadas antes da linha de gás.
- Regular o pressostato gás de mínima ao início da escala (A).
- Regular o pressostato ar ao início da escala (B).
- Purgar o ar da tubagem de gás.  
É aconselhável evacuar o ar purgado ao exterior do edifício (através de um tubo de plástico) até notar o odor característico do gás.
- Instalar um manómetro (C) na tomada de pressão do suporte queimador.  
Serve para calcular, aproximadamente, a potência MÁX. do queimador através das tabelas da pág. 6.
- Ligar em paralelo às duas electroválvulas de gás VR e VS, duas lâmpadas ou um tester para controlar o momento da chegada de corrente.  
Esta operação não é necessária se cada uma das electroválvulas estiver equipada com uma luz piloto que assinala a presença de corrente eléctrica.

Antes de colocar em funcionamento o queimador, é conveniente regular a linha de gás de forma que o acendimento se faça em condições de máxima segurança, isto é, com um pequeno caudal de gás.

### SERVOMOTOR (D)

O servomotor regula em simultâneo a comporta do ar pela came de perfil variável e a válvula borboleta do gás.

O ângulo de rotação do servomotor é igual ao ângulo do sector graduado da válvula borboleta do gás.

O servomotor roda 90° em 24 segundos.

Não modificar a regulação feita de fábrica das 4 cames com que está dotado; verificar simplesmente que as cames estão reguladas da seguinte forma:

**Came I : 90°**

Limita a rotação máxima. Com o queimador funcionando à MÁX potência, a válvula de borboleta do gás deve estar completamente aberta: 90°.

**Came II : 0°**

Limita a rotação mínima.

Com o queimador parado, a comporta do ar e a válvula borboleta do gás devem estar fechadas: 0°.

**Came III : 15°**

Regula a posição de acendimento e da potência MÍN.

**Came IV : Solidários à came III**

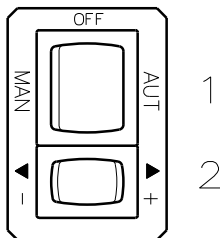
### ARRANQUE DO QUEIMADOR

Fechar os termóstatos e colocar o interruptor 1)(E) na posição "MAN".

Assim que o queimador entre em funcionamento, controlar o sentido de giro da turbina do ventilador através do visor de chama 17)(A)p.4. Verificar que as lâmpadas ou o tester ligados às electroválvulas, ou as luzes piloto das próprias electroválvulas, indicam ausência de corrente. Se assinalam que existe corrente, parar imediatamente o queimador e verificar a ligação eléctrica.

### ACENDIMENTO DO QUEIMADOR

Depois de ter efectuado as operações descritas no parágrafo anterior, o queimador deve acender-se. Se o motor arranca mas não aparece chama e a caixa de controlo se bloqueia, rearmar esta e fazer uma nova tentativa de arranque. Se o acendimento continua sem efeito, pode ser devido a que o gás não chega ao cabeçal de combustão no tempo de segurança de 3 segundos. Em tal caso, aumentar o caudal de gás no acendimento. A chegada de gás à mangueira pode observar-se no manómetro (C). Uma vez efectuado o acendimento, proceder-se-á à regulação completa do queimador.



D3833

(A)

## REGULAÇÃO DO QUEIMADOR

Para conseguir uma óptima regulação do queimador, é necessário fazer uma análise dos gases de combustão na base da chaminé.

Terá que se regular consecutivamente:

- 1 - Potência de acendimento (mínima)
- 2 - Potência MÁX
- 3 - Potências intermédias entre MÁX e MÍN
- 4 - Pressostato ar
- 5 - Pressostato gás de mínima

## DETERMINAÇÃO DA POTÊNCIA DE ACENDIMENTO (MÍNIMA)

Conforme a norma EN 676.

### Queimadores com potência MÁX até 120 kW

O acendimento pode ser feito à máxima potência de funcionamento. Exemplo:

- potência máxima de funcionamento: 120 kW
- potência máxima de acendimento : 120 kW

### Queimadores com potência MÁX superior a 120 kW

O acendimento deve ser feito a uma potência reduzida em relação à potência máxima de funcionamento.

Se a potência de acendimento não ultrapassa os 120 kW, não é necessário fazer cálculo algum. Pelo contrário, se a potência supera os 120 kW, a norma estabelece que o seu valor seja definido em função do tempo de segurança "ts" da caixa de controlo:

para "ts" = 3s. A potência de acendimento deve ser igual ou inferior a 1/3 da potência máxima de funcionamento.

### Exemplo

Potência MÁX de funcionamento 450 kW.

A potência de acendimento deve ser igual ou inferior a 150 kW com ts = 3s

Para medir a potência de acendimento:

- desconectar a ficha-tomada 24)(A)p.4 do cabo da sonda de ionização (o queimador acende-se e bloqueia-se passado o tempo de segurança).
- Efectuar 10 acendimentos com bloqueios consecutivos.
- Ler no contador o gás consumido.

Esta quantidade deve ser igual ou inferior à que nos dá a fórmula, para ts = 3s:

$$Vg = \frac{Qa \text{ (caudal max. queimador) } \times n \times ts}{3600}$$

**Vg:** volume fornecido nos acendimentos executados (Sm<sup>3</sup>)

**Qa:** caudal de acendimento (Sm<sup>3</sup>/h)

**n:** número de acendimento (10)

**ts:** tempo de segurança (seg)

**Exemplo** para gás G 20 (9,45 kWh/Sm<sup>3</sup>):

potência de acendimento 150 kW

correspondentes a 15,87 Sm<sup>3</sup>/h.

Depois de 10 acendimentos com bloqueio, o caudal de gás medido no contador deve ser igual ou inferior a:

$$Vg = \frac{15,87 \times 10 \times 3}{3600} = 0,132 \text{ Sm}^3$$

## 1 - POTÊNCIA DE ACENDIMENTO (MÍNIMA)

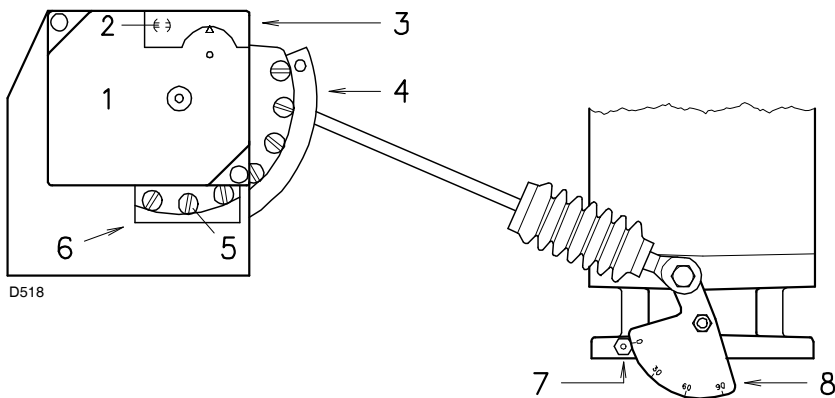
A potência MÍN é seleccionada dentro do campo de trabalho descrito na pág. 5.

Pressionar o botão 2)(A) "diminuição da potência" e mantê-lo pressionado até que o servomotor tenha fechada a comporta do ar e a válvula borboleta do gás até 15° (ajuste de fábrica).

### Regulação do gás

Medir o caudal de gás no contador.

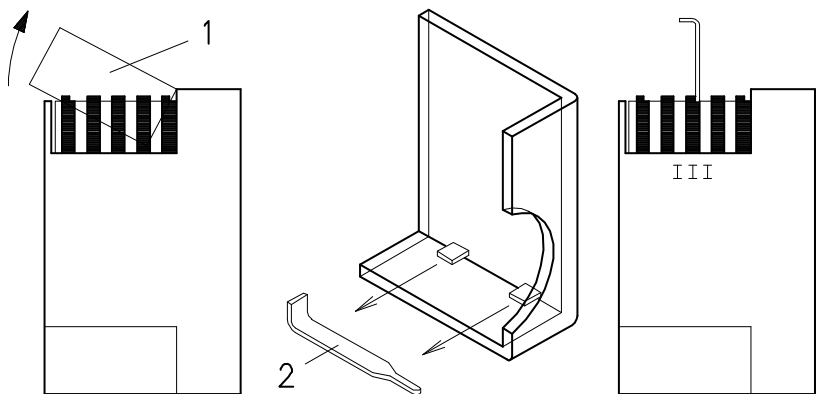
- Se deseja diminuí-lo, reduzir um pouco o ângulo da came III fig.(B)p.12 através de curtos e sucessivos deslocamentos, isto é, passando do ângulo de 15° a 13° - 11°....
- Se é necessário aumentá-la, pressionar um pouco o botão "aumento de potência" 2)(A) (abrir de 10-15° a borboleta do gás), aumentar o ângulo da came III (B)p.12 com curtos e sucessivos deslocamentos, isto é, passando do ângulo de 15° a 17° - 19°....  
Pressionar ainda o botão "diminuição potência" até recolocar o servomotor na posição de mínima abertura e medir o caudal do gás.



D518

- |                                     |                                            |
|-------------------------------------|--------------------------------------------|
| 1 Servomotor                        | 5 Parafusos regulação perfil variável      |
| 2 ⊖ Bloqueio / ⊕ Desbloqueio came 4 | 6 Abertura acesso parafusos 5              |
| 3 Tampa cames                       | 7 Índice do sector graduado 8              |
| 4 Came de perfil variável           | 8 Sector graduado válvula borboleta de gás |

(A)



D793

(B)

## NOTA

O servomotor segue a regulação da came III somente quando se reduz o ângulo da came. Se necessário aumentar o ângulo da came, deve-se primeiro aumentar o ângulo do servomotor com a tecla "aumento de potência", depois aumentar o ângulo da came III e finalmente recolocar o servomotor na posição de potência MÍN com a tecla "diminuição de potência".

Para a eventual regulação da came III, retirar a tampa 1), colocada à pressão, como o indicado na fig. (B), tirar a cavilha 2) localizada no interior e introduzi-la no encaixe da came III.

### Regulação do ar

Variar progressivamente o perfil inicial da came 4)(A), actuando sobre os parafusos da came que aparecem no interior da abertura 6)(A). Se possível, não rodar o primeiro parafuso, dado que é o utilizado para fechar a comporta do ar completamente.

## 2 - POTÊNCIA MÁX

A potência MÁX. é seleccionada dentro do campo de trabalho descrito na pág. 5.

Na descrição anterior, deixámos o queimador aceso, funcionando na potência MÍN. Pressionar agora a tecla 2)(A)p.11 "aumento de potência" e mantê-la pressionada até que o servomotor abra a comporta de ar e a válvula borboleta de gás a 90°.

### Regulação do gás

Medir o caudal de gás no contador.

A título de orientação, pode determinar-se através das tabelas da pág. 6, observando a pressão do gás no manómetro, ver fig.(C)p.10, e seguindo as indicações da pág. 6.

- Se for necessário reduzi-lo, diminuir a pressão do gás à saída e, se já está no mínimo, fechar um pouco a electroválvula de regulação VR.
- Se for necessário aumentá-la, aumentar a pressão de gás à saída do regulador.

### Regulação do ar

Variar progressivamente o perfil final da came 4)(A), actuando sobre os parafusos da came que aparecem no interior da abertura 6)(A).

- Para aumentar o caudal de ar, rosca os parafusos.
- Para diminuir o caudal de ar, desenroscar os parafusos.

## 3 - POTÊNCIAS INTERMÉDIAS

### Regulação do gás

Não é necessário regulação alguma.

### Regulação do ar

Pressionar um pouco o botão 2)(A)p.11 "aumento de potência" de forma a que um novo parafuso 5)(A) apareça no interior da abertura 6)(A) e regular até obter uma combustão óptima. Proceder da mesma forma com os restantes parafusos.

Prestar atenção para que a variação do perfil da came seja progressiva.

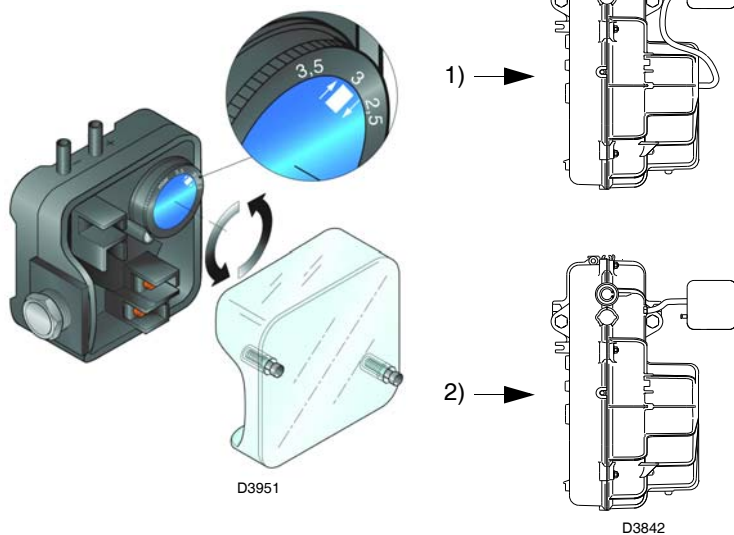
Apagar o queimador através do interruptor 1)(A)p.11, (posição OFF), desbloquear a came de perfil variável, colocando a ranhura 2)(A) do servomotor na posição vertical e verificar várias vezes, fazendo rodar à mão a came para a frente e para trás, que o movimento seja suave e sem obstáculos.

Se possível, tentar não deslocar os parafusos dos extremos da came, regulados anteriormente para a abertura da comporta do ar à potência MÁX e MÍN.

## NOTA

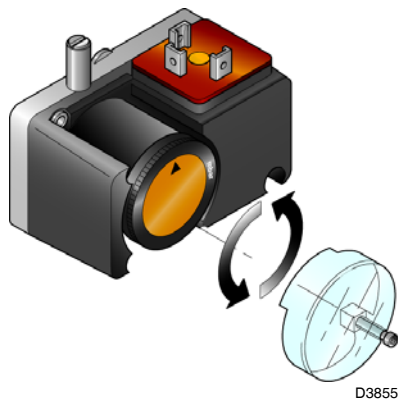
Uma vez terminada a regulação das potências MÁX - MÍN - INTERMÉDIAS, voltar a verificar o acendimento: deve produzir-se um ruído parecido ao do funcionamento sucessivo. Se forem observadas pulsações, reduzir o caudal do acendimento.



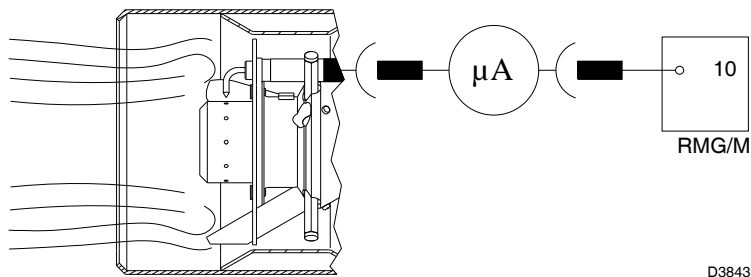


(A)

PRESSOSTATO GÁS DE MÍNIMA



(B)



(C)

4 - PRESSOSTATO DE AR (A)

Efectuar a regulação do pressostato de ar, depois de ter feito todas as restantes regulações do queimador, com o pressostato de ar ajustado ao início da escala (A).

Com o queimador em função com a potência MIN, inserir um analisador da combustão no chaminé, fechar lentamente o canal de aspiração do ventilador (por exemplo com um pedaço de papelão) até que o valor de CO não ultrapasse os 100 ppm.

Portanto, girar lentamente o especial botão em sentido horário até bloquear o queimador.

Verificar então a indicação da flecha virada para cima na escala graduada (A). Girar novamente o botão em sentido horário até que o valor indicado na escala graduada coincida com a flecha virada para baixo (A), recuperando deste modo a histerese do pressostato representada pelo campo branco em um fundo azul-escuro incluído entre as duas flechas.

Verificar agora o correcto arranque do queimador.

Se o queimador se bloqueia de novo, rodar o botão um pouco mais, no sentido contrário ao dos ponteiros do relógio.

O pressostato de ar instalado pode funcionar de maneira "diferencial", se for conectado a dois tubos ver 1)(A). Se existe uma grande depressão na câmara de combustão na fase varrimento pode ocorrer que o pressostato não feche o seu contacto, neste caso, colocar um tubinho entre o pressostato e a boca de aspiração do ventilador. Deste modo o pressostato funcionará como pressostato diferencial.

5 - PRESSOSTATO GÁS DE MÍNIMA (B)

Com o queimador funcionando à potência MÁX, aumentar a pressão de regulação rodando lentamente (no sentido horário) o botão fornecido para tal efeito, até que o queimador pare.

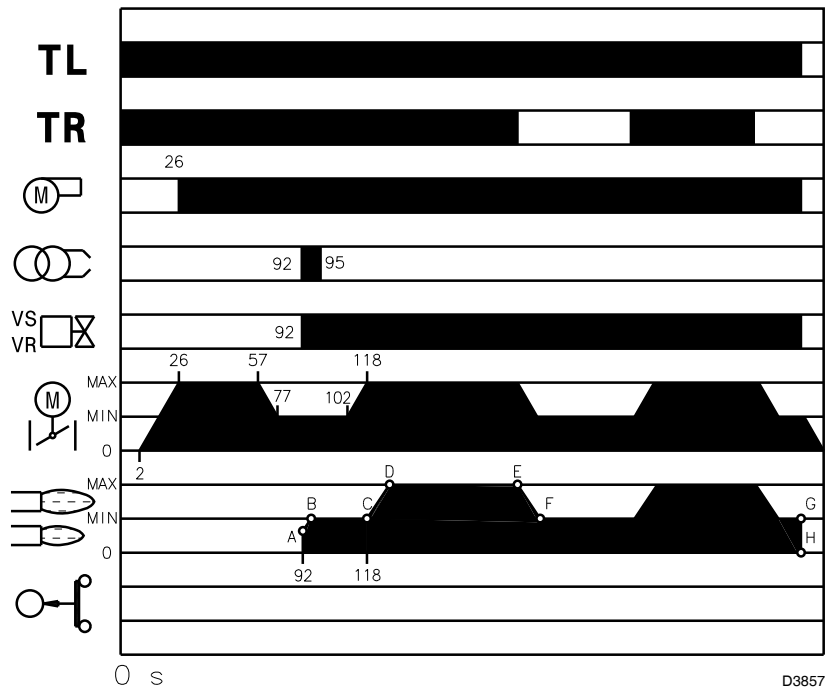
Seguidamente, rodar o referido botão (no sentido contrário ao dos ponteiros do relógio) 5 mbar e repetir o arranque do queimador para verificar a regularidade de funcionamento.

Se o queimador parar de novo, rodar o botão (no sentido contrário ao dos ponteiros do relógio) 1 mbar.

CONTROLO DE PRESENÇA DE CHAMA (C)

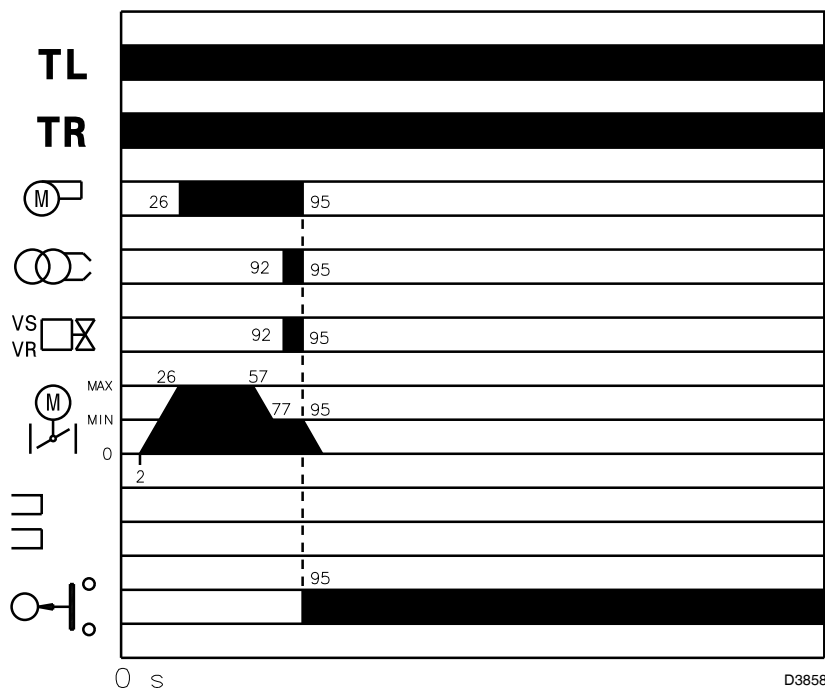
O queimador está dotado de um sistema de ionização para controlar a presença da chama. A corrente mínima para o funcionamento da caixa de controlo é de 6  $\mu$ A. O queimador gera uma corrente imediatamente superior, não precisando normalmente de nenhum controlo. No entanto, se desejar medir a corrente de ionização, é necessário desinserir a ficha-tomada 24)(A)p.4 colocada n o cabo da sonda de ionização e inserir um microamperímetro para corrente contínua de escala baixa de 100  $\mu$ A. Atenção à polaridade.

**ACENDIMENTO NORMAL**  
(n° = segundos a partir do instante 0)



(A)

**FALTA DE ACENDI-**



(B)

**FUNCIONAMENTO DO QUEIMADOR**

**ARRANQUE DO QUEIMADOR (A)**

- 0s: Fechamento termóstato/pressostato TL.
- 2s: Inicia o programa da caixa de controle. Entra em funcionamento o servomotor: gira para a esquerda 90°, isto é, até que intervém o contacto da came I (D)p. 10.
- 26s: A comporta de ar chega na posição de potência MÁX. Arranque motor ventilador. Inicia a fase de pré-ventilação.
- 57s: O servomotor gira para a direita até o ângulo configurado na came III (D)p. 10 para a potência MÍN.
- 77s: A comporta do ar e a borboleta do gás posicionam-se na potência MÍN. (com came III)(D)p.10 a 15°.
- 92s: Gera-se faísca no eléctrodo de acendimento. Abrem-se as electroválvulas de segurança VS e de regulação VR (abertura rápida). Acende-se a chama, com pouca potência, ponto A. Continua um progressivo aumento da potência, abertura lenta da electroválvula VR, até à potência MÍN, ponto B.
- 94s: A faísca apaga-se.
- 118s: Finaliza o ciclo de arranque.

**FUNCIONAMENTO A REGIME (A)**

**Queimador sem o kit para funcionamento modular**

Finalizado o ciclo de arranque, o comando do servomotor passa ao termóstato/pressostato TR, que controla a pressão ou a temperatura na caldeira, ponto C.

A caixa de controlo eléctrica continua de qualquer forma a controlar a presença de chama e a correcta posição dos pressostatos de ar e gás.

- Se a temperatura ou a pressão está baixa, e portanto o controlo remoto TR está fechado, o queimador aumenta progressivamente a potência até o valor MÁX. (trecho C-D).
- Se então a temperatura ou a pressão aumenta até a abertura do TR, o queimador diminui progressivamente a potência até o valor MÍN. (trecho E-F). E assim sucessivamente.
- A paragem do queimador faz-se quando a procura de calor é inferior à gerada pelo queimador à potência MÍN (segmento G-H). O termóstato/pressostato TL abre-se, o servomotor volta ao ângulo 0°. A comporta fecha-se completamente para reduzir as perdas de calor ao mínimo.

**Queimador com o kit para funcionamento modular**

Ver o Manual de Instruções que acompanha o regulador.

**FALTA DE ACENDIMENTO (B)**

Se o queimador não acende, ocorre o bloqueio em até 3 s da abertura da válvula de gás.

**EXTINÇÃO DA CHAMA DURANTE O FUNCIONAMENTO**

Se a chama se apagar durante o funcionamento, o queimador bloqueia-se em 1 segundo.

**CONTROLO FINAL** (com o queimador em funcionamento):

- desconectar um fio do pressostato gás de mínima;
- abrir o termóstato/pressostato TL;
- abrir o termóstato/pressostato TS;


o queimador deve parar.


- Desligar o tubo de adução ar ao pressostato;
- desconectar o fio da sonda de ionização;


o queimador deve bloquear-se.

Comprovar que os bloqueios mecânicos dos dispositivos de regulação estão bem apertados.

## **MANUTENÇÃO**

 O queimador requer uma manutenção periódica, que deve ser realizada por pessoal habilitado e em conformidade com as leis e normas locais.

 A manutenção periódica é essencial para o bom funcionamento do queimador; essa reduz os consumos inúteis de combustível e reduz as emissões de poluentes no ambiente.

 Antes de realizar qualquer operação de limpeza ou controlo, remover a alimentação eléctrica do queimador, actuando sobre o interruptor geral da instalação.

### **Combustão**

Fazer a análise dos gases de combustão que saem da caldeira. As diferenças significativas em relação à última análise indicarão os pontos onde deverão centrar-se as operações de manutenção.

### **Fugas de gás**

Comprovar que não existem fugas de gás na conduta contador-queimador.

### **Filtro de gás**

Substituir o filtro do gás quando estiver sujo (ver instrução linha).

### **Cabeçal de combustão**

Abrir o queimador e verificar que todas as partes do cabeçal de combustão estão intactas e não deformadas pelas altas temperaturas, não têm sujidade proveniente do ambiente e que estão correctamente posicionadas. Em caso de dúvidas, desmontar o cotovelo.

### **Servomotor**

Desbloquear a came 4)(A)p.12, girando 90º a ranhura 2)(A)p.12 e controlar manualmente que a sua rotação, para a frente e para trás, se efectue com facilidade. Bloquear de novo a came 4)p.12.

### **Queimador**

Verificar que não há um desgaste anormal ou parafusos frouxos nos mecanismos que controlam a comporta do ar e a válvula de borboleta do gás. De igual modo, os parafusos que fixam os cabos eléctricos na régua de terminais e nas tomadas do queimador devem estar bem apertados.

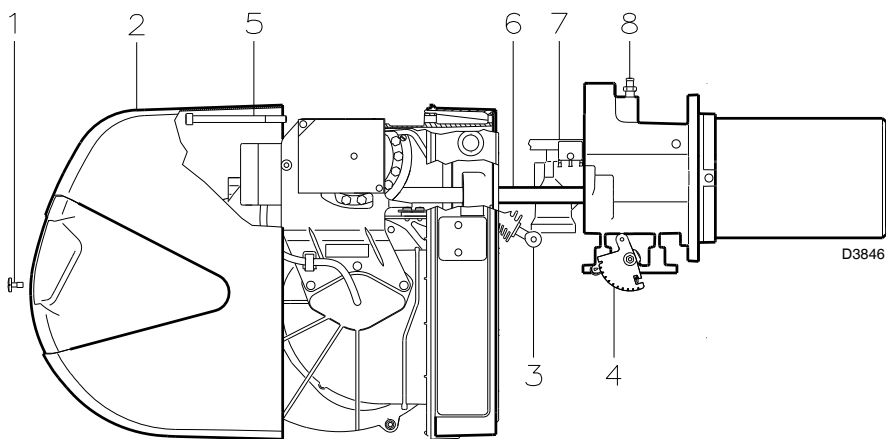
Limpar exteriormente o queimador, em particular as rótulas e a came 4)(A)p.12.

### **Combustão**

Regular o queimador se os valores da combustão obtidos no início da intervenção não cumprem as normas em vigor ou não correspondem a uma boa combustão.

Anotar numa ficha de controlo os novos valores da combustão; serão úteis para controlos sucessivos.

## ABERTURA DO QUEIMADOR



(A)

### PARA ABRIR O QUEIMADOR (A):

- Cortar a corrente eléctrica.
- Aliviar o parafuso 1) e extrair a cobertura 2).
- Soltar a rótula 3) do sector graduado 4).
- Tirar o parafuso 5) apenas no caso de modelos com cabeça longa, atrasar o queimador nas guias 6) por cerca de 100 mm. Desligar os cabos da sonda e do eléctrodo e deslocar todo o queimador.

Neste ponto é possível extrair o distribuidor de gás 7), depois de se ter desenroscado o parafuso 8).

Tirar os parafusos 2)(B)p. 7 e aparafusar as duas extensões 25)(A)p.4 entregue com o queimador.

Parafusar novamente os dois parafusos 2)(B)p.7 no terminal das extensões.



### ATENÇÃO

Proceder à montagem da parte interna do cabeçal de combustão aparafusando o parafuso 8)(A) com um binário de aperto de  $4 \div 6$  Nm.

### PARA FECHAR O QUEIMADOR (A):

- Conduzir o queimador até cerca de 100 mm da mangueira.
- Voltar a ligar os cabos e deslocar o queimador até ao fim.
- Recolocar o parafuso 5) e puxar delicadamente em direcção ao exterior os cabos de sonda e o eléctrodo, até colocá-los em ligeira tensão.
- Voltar a enganchar a rótula 3) no sector graduado 4).
- Nos modelos com cabeça longa, desaparafusar as extensões e reposicionar no próprio espaço; parafusar as guias aos parafusos 2)(C)p.7.
- Reposicionar a cobertura 2) e fixar com o parafuso 1).

### MANUTENÇÃO QUADRO ELÉCTRICO

Se for necessário efectuar a manutenção do quadro eléctrico 1)(B) é possível tirar unicamente a ventoinha de arrefecimento 2)(B) para consentir um melhor acesso aos componentes eléctricos.

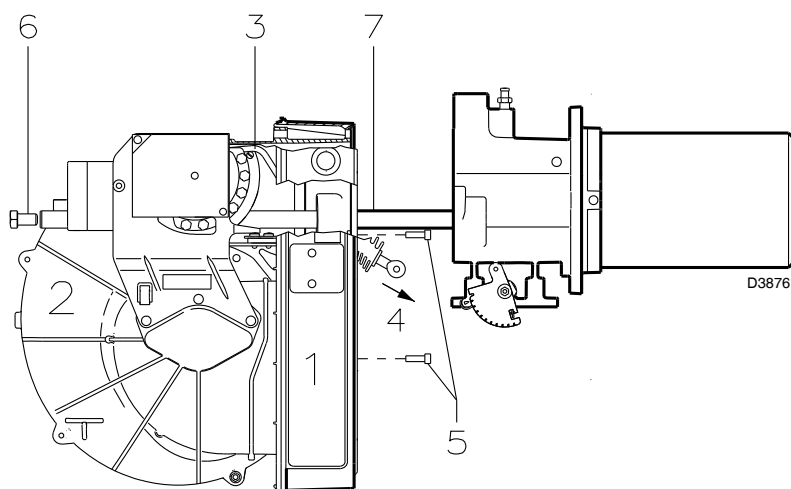
Com o queimador aberto como na fig. (A), desengatar o tirante 3)(B), tirando o parafuso na came a perfil variável, e extrai-lo pela extremidade 4)(B).

Neste ponto, desconectar as cablagens relativas a pressostato de ar, servomotor e motor ventilador.

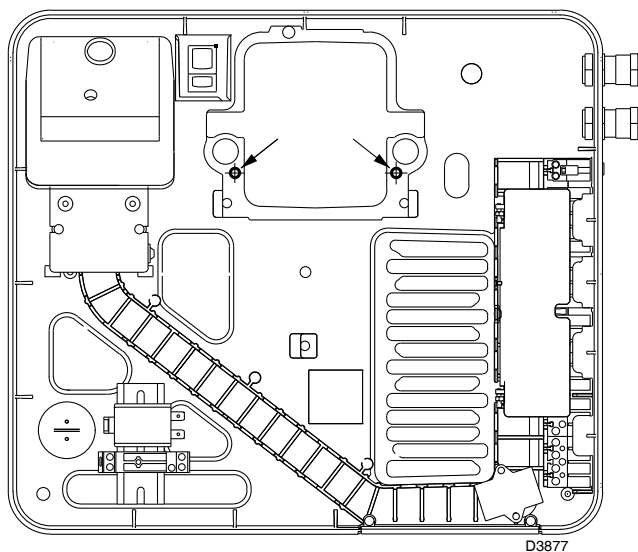
Tirar portanto os 3 parafusos 5)(B) presentes na chapa de protecção.

Tirando os 2 parafusos 6)(B) é possível desengatar a ventoinha de arrefecimento 2)(B) das guias 7)(B).

Em fim, podem ser utilizados 2 dos 3 parafusos 5)(B) para fixar o quadro eléctrico à mangueira, nos pontos indicados na fig. (C), e efectuar portanto as operações de manutenção.



(B)



(C)

## DIAGNÓSTICO DO PROGRAMA DE ARRANQUE

Durante o programa de arranque, as indicações são explicadas na seguinte tabela:

TABELA CÓDIGO COR	
Sequências	Código cor
Pré-ventilação	● ● ● ● ● ● ● ● ● ●
Fase de acendimento	● ○ ● ○ ● ○ ● ○ ●
Funcionamento com chama ok	□ □ □ □ □ □ □ □ □ □
Funcionamento com sinal de chama fraca	□ ○ □ ○ □ ○ □ ○ □
Alimentação eléctrica inferior a ~ 170V	● ▲ ● ▲ ● ▲ ● ▲ ●
Bloqueio	▲ ▲ ▲ ▲ ▲ ▲ ▲ ▲ ▲
Luz estranha	▲ □ ▲ □ ▲ □ ▲ □ ▲
<b>Legenda:</b>	○ Apagado      ● Amarelo      □ Verde      ▲ Vermelho

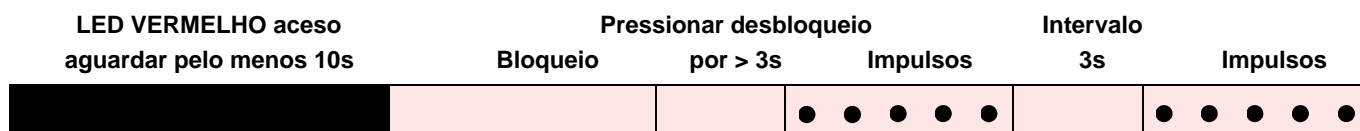
### DESBLOQUEIO DO EQUIPAMENTO E UTILIZAÇÃO DO DIAGNÓSTICO

O equipamento fornecido de série possui uma sua função de diagnóstico, por meio da qual é possível localizar facilmente as eventuais causas de mau funcionamento (sinalização: **LED VERMELHO**).

Para utilizar tal função, é necessário aguardar pelo menos 10 segundos após a colocação da segurança (**bloqueio**) e, em seguida, pressionar o botão de desbloqueio.

O equipamento cria uma sequência de impulsos (à distância de 1 segundo) que se repete a intervalos constantes de 3 segundos.

Visualizado o número de sinais intermitentes e identificada a provável causa, é necessário reiniciar o sistema, mantendo o botão pressionado por um período de tempo compreendido entre 1 e 3 segundos.



A seguir, estão ilustrados os métodos possíveis para efectuar o desbloqueio do equipamento e para a utilização do diagnóstico.

### DESBLOQUEIO DA CAIXA DE CONTROLO

Para efectuar o desbloqueio do equipamento, agir como segue:

- Premir o botão por um período de tempo compreendido entre 1 e 3 segundos.  
O queimador arranca após uma pausa de 2 segundos depois de se ter largado o botão.  
No caso em que o queimador não arranque é necessário verificar o fechamento do termostato limite.

### DIAGNÓSTICO VISUAL

Indica o tipo de defeito do queimador que determina o bloqueio do mesmo.

Para visualizar o diagnóstico, agir como segue:

- Com o led vermelho fixo (bloqueio do queimador), manter premido o botão por mais de 3 segundos.  
O fim da operação será indicado pelo acender de um led amarelo intermitente.  
Soltar o botão após o piscar do led. O número de sinais intermitentes evidencia a causa do mau funcionamento de acordo com a codificação indicada na tabela de pag. 18.

### DIAGNÓSTICO SOFTWARE

Fornecer a análise da vida vida do queimador por meio da conexão óptica ao PC, indicado as relativas horas de funcionamento, número e tipos de bloqueios, número de série do equipamento etc...

Para visualizar o diagnóstico, agir como segue:

- Com o led vermelho fixo (bloqueio do queimador), manter premido o botão por mais de 3 segundos.  
O fim da operação será indicado pelo acender de um led amarelo intermitente.  
Soltar o botão por 1 segundo e em seguida, voltar a premi-lo por mais de 3 segundos até à visualização de um ulterior piscar amarelo.  
Quando se solta o botão, o led vermelho irá piscar em modo intermitente com frequência elevada: só nessa altura será possível inserir a conexão óptica.

Uma vez executadas as operações, é necessário restabelecer o estado inicial do equipamento por meio do procedimento de desbloqueio acima descrito.

PRESSÃO NO BOTÃO	ESTADO DO EQUIPAMENTO
De 1 a 3 segundos	Desbloqueio do equipamento sem visualização do diagnóstico visual.
Mais de 3 segundos	Diagnóstico visual da condição de bloqueio: (piscar do led com intermitência de 1 segundo).
Mais de 3 segundos a partir da condição de diagnóstico visual	Diagnóstico software com auxílio de interface óptica e PC (possibilidade de visualização das horas de funcionamento, das anomalias, etc..)

A sequência dos impulsos emitidos pelo equipamento identifica os possíveis tipos de avaria que são ilustrados na tabela de pag. 18.

Sinal	Anomalia	Causa provável	Solução
2 sinais intermitentes ● ●	Superada a pré-ventilação e o tempo de segurança, o queimador bloqueia-se sem que apareça a chama.	1 - A electroválvula de funcionamento faz passar pouco gás. 2 - Uma das electroválvulas não se abre. 3 - Pressão de gás demasiado baixa 4 - Eléctrodo de acendimento mal regulado 5 - Eléctrodo à massa por rotura do isolamento 6 - Cabo de alta tensão defeituoso 7 - Cabo de alta tensão deformado pela alta temperatura 8 - Transformador de acendimento defeituoso 9 - Ligações eléctricas válvulas ou transformador incorrectos 10 - Caixa de controlo defeituosa 11 - Uma válvula antes da linha de gás, fechada 12 - Ar nas tubagens 13 - Válvulas gás não ligadas ou bobina interrompida	Aumentá-lo Substituir Aumentá-la no regulador Regulá-lo, ver Fig. (D) pág. 7 Substituí-lo Substituí-lo Substituí-lo e protegê-lo Substituí-lo Comprová-los Substituí-la Abri-la Purgá-lo Verificar ligações ou substituir bobina
3 sinais intermitentes ● ● ●	O queimador não arranca e acontece o bloqueio	14 - O pressóstato de ar em posição de funcionamento	Regulá-lo ou substituí-lo
	O queimador arranca mas bloqueia-se de imediato	- O pressóstato de ar não comuta por pressão de ar insuficiente: 15 - Pressóstato de ar mal regulado 16 - Tubo tomada pressão ar do pressóstato obstruído 17 - Cabeçal mal regulado 18 - Alta pressão na câmara de combustão	Regulá-lo ou substituí-lo Limpá-lo Regulá-lo Ligar pressóstato de ar à aspiração do ventilador
4 sinais intermitentes ● ● ● ●	O queimador arranca mas bloqueia-se de imediato	19 - Contador do comando motor defeituoso (somente versão trifásica) 20 - Motor eléctrico defeituoso 21 - Bloqueio do motor (somente versão trifásica)	Substituí-lo Substituí-lo Substituí-lo
	Bloqueio durante o pré-ventilação	22 - Simulação de chama	Substituir a caixa de controlo
6 sinais intermitentes ● ● ● ● ● ●	O queimador arranca mas bloqueia-se de imediato	23 - Há chama no cabeçal de combustão ou simulação de chama 24 - Servomotor defeituoso ou mal regulado	Eliminar a chama ou substituir a caixa de controlo Regulá-lo ou substituí-lo
7 sinais intermitentes ● ● ● ● ● ● ●	O queimador bloqueia-se logo depois que aparece a chama	25 - A electroválvula de funcionamento faz passar pouco gás 26 - Sonda de ionização mau regulada 27 - Ionização insuficiente (inferior a 5 A) 28 - Sonda à massa 29 - Terra defeituosa 30 - Fase e neutro invertidos 31 - Avaria do circuito de observação da chama	Aumentá-lo Regulá-lo, ver Fig. (D) pág. 7 Verificar a posição da sonda Separá-la ou substituir o cabo Rever tomada de terra Inverter Substituir a caixa de controlo
	Bloqueio do queimador na passagem entre potência mínima e máxima, e vice-versa	32 - Demasiado ar ou pouco gás	Regular ar o gás
	Em funcionamento, o queimador bloqueia-se	33 - Sonda ou cabo de ionização à massa	Substituir a(s) peça(s) deteriorada(s)
10 sinais intermitentes ● ● ● ● ● ● ● ● ● ●	O queimador não arranca e acontece o bloqueio	34 - Ligações eléctricas incorrectas	Comprová-los
	O queimador bloqueia-se	35 - Caixa de controlo defeituosa 36 - Presença de distúrbios electromagnéticos sobre as linhas dos termóstatos 37 - Presença de distúrbios electromagnéticos	Substituí-la Filtrá-los ou eliminá-los Utilizar o kit protecção contra as rádio-interferências

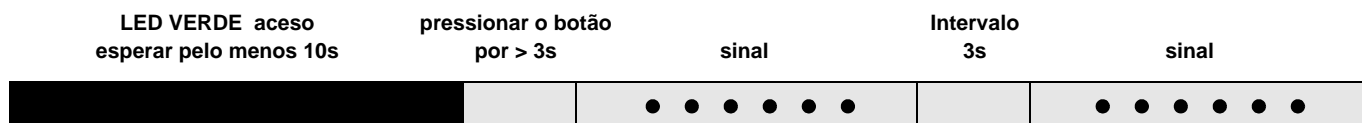
Sinal	Anomalia	Causa provável	Solução
Nenhum sinal intermitente	O queimador não arranca	38 - Falta corrente eléctrica . . . . .	Fechar interruptores eléctricos
		39 - Um termóstato de regulação ou de segurança aberto. . .	Regulá-lo ou substituí-lo
		40 - Fusível de linha de controlo fundido . . . . .	Substituí-lo
		41 - Caixa de controlo defeituosa . . . . .	Substituí-la
42 - Falta de gás . . . . .		Abrir válvulas manuais entre o contador e a linha	
O queimador continua a repetir o ciclo de arranque sem se bloquear	O queimador não atinge a potência máxima	43 - Pressão de gás na rede insuficiente . . . . .	Contacte a COMPANHIA DO GÁS
		44 - O pressóstato de gás de mínima não fecha . . . . .	Regulá-lo ou substituí-lo
		45 - Servomotor não vai à posição de mín. acendimento. . .	Substituí-lo
		46 - A pressão do gás na rede está próxima do valor ao qual está regulado o pressóstato gás de mínima. A queda repentina de pressão que se tem quando se abre a válvula provoca a abertura do próprio pressóstato, razão pela qual a válvula se fecha imediatamente e o motor pára. A pressão volta a aumentar, o pressóstato fecha e faz com que o ciclo de arranque se repita. E assim sucessivamente.	Reduzir a pressão de intervenção do pressóstato de gás de mínima. Substituir a cartucho do filtro de gás.
Acendimento com pulsações		47 - Cabeçal mal regulado . . . . .	Regular. Ver página 8.
O queimador não atinge a potência máxima	O queimador fica com o registo de ar aberto	48 - Electrodo de acendimento mal regulado . . . . .	Regulá-lo, ver Fig. (D) pág. 7
		49 - Registo ventilador mal regulado; demasiado ar. . . . .	Regulá-lo
		50 - Potência de acendimento demasiado elevada . . . . .	Reduzi-la
		51 - Controlo remoto TR não fecha. . . . .	Regulá-lo ou substituí-lo
52 - Caixa de controlo defeituosa . . . . .		Substituí-la	
53 - Servomotor defeituoso. . . . .	Substituí-lo		
54 - Servomotor defeituoso. . . . .	Substituí-lo		

### FUNCIONAMENTO NORMAL / TEMPO DE OBSERVAÇÃO DA CHAMA

A caixa de controlo possui uma ulterior função, através da qual é possível verificar o correcto funcionamento do queimador (sinalização: **LED VERDE** permanentemente aceso).

Para utilizar tal função é necessário esperar pelo menos dez segundos desde o acendimento do queimador e pressionar o botão da caixa de controlo por um tempo mínimo de três segundos.

Solto o botão, o LED VERDE começará a piscar, como ilustrado na figura abaixo.



As pulsações do LED constituem sinais com intervalos de cerca de 3 segundos.

O número de pulsações indicará o TEMPO DE OBSERVAÇÃO da sonda desde a abertura das válvulas de gás, segundo a tabela seguinte.

SINAL	TEMPO DE OBSERVAÇÃO DA CHAMA
1 sinal intermitente ●	0.4 s
2 sinais intermitentes ● ●	0.8 s
6 sinais intermitentes ● ● ● ● ● ●	2.8 s

A cada arranque do queimador, este dado é actualizado. Realizada a leitura, pressionando brevemente o botão da caixa de controlo, o queimador repete o ciclo de arranque.

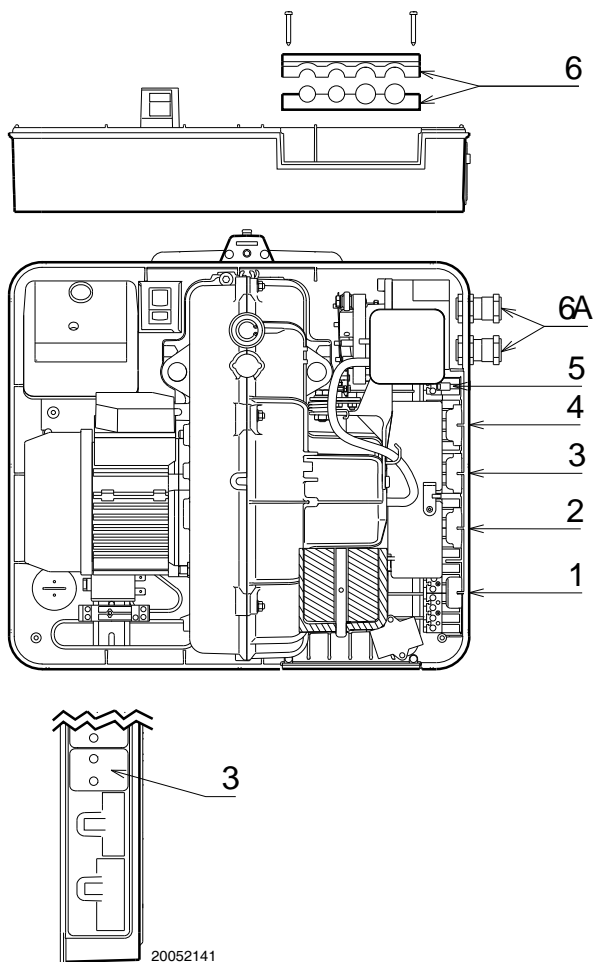
#### ATENÇÃO

Se se obtém um tempo > 2 s tem-se o acendimento atrasado.

Verificar a regulação do travão hidráulico na válvula de gás e regular o registo de ar e o cabeçal de combustão.

KIT INTERFACE ADAPTER RMG TO PC Código 3002719

## APÊNDICE



### Ligações eléctricas



#### NOTAS

As ligações eléctricas devem ser executadas conforme as normas em vigor do país de destino e por pessoal qualificado.

Riello S.p.A. declina toda responsabilidade de modificações ou conexões diferentes daquelas representadas nestes esquemas.

Usar cabos flexíveis conforme a norma EN 60 335-1:

Todos os cabos a ligar ao queimador devem ser feitos passar pelos passacabos.

Os passacabos podem ser utilizados de várias formas; como exemplo, indicamos a seguinte forma:

#### RS 34-44/M MZ monofásico

- 1- Tomada de 7 pólos para alimentação monofásico, termóstato/pressostato TL
- 2- Tomada de 6 pólos para válvulas de gás, pressostato gás ou dispositivo para o controlo de estanquidade das válvulas
- 3- Tomada de 4 pólos para termóstato/pressostato TR (com cobertura móvel)
- 4- Tomada de 5 pólos não utilizada
- 5- Tomada de 2 pólos para acessório desbloqueio caixa de controlo a distância
- 6 - 6A Atribuições para bocas  
(Perfurar em caso de necessidade das bocas 6A)

#### RS 44/M MZ trifásico

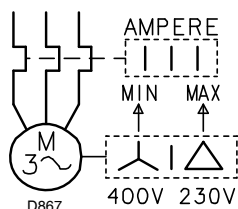
- 1- Tomada de 7 pólos para alimentação monofásico, termóstato/pressostato TL
- 2- Tomada de 6 pólos para válvulas de gás, pressostato gás ou dispositivo para o controlo de estanquidade das válvulas
- 3- Tomada de 4 pólos para termóstato/pressostato TR (com cobertura móvel)
- 4- Tomada de 5 pólos para alimentação trifásica
- 5- Tomada de 2 pólos para acessório desbloqueio caixa de controlo a distância
- 6 - 6A Atribuições para bocas  
(Perfurar em caso de necessidade das bocas 6A)



A cobertura da tomada deve ser removida em caso de uso da tomada de 4 pólos.

A não utilização da tomada de 4 pólos implica na utilização da cobertura.

O fabricante declina toda e qualquer responsabilidade pela não observação do conteúdo deste manual.



#### CALIBRAGEM RELÉ TÉRMICO (RS 44/M MS TRIFÁSICO)

Serve para evitar que o motor se queime por um forte aumento do consumo devido à ausência de uma fase.

- Se o motor é alimentado em estrela, **400V**, o cursor deve situar-se em "MÍN".
- Se é alimentado a triângulo, **230V**, o cursor deve situar-se em "MÁX".

Se a escala do relé térmico não compreende o consumo nominal do motor a 400V, a protecção está igualmente assegurada.



## NOTAS

- O modelo RS 44/M Z trifásico deixa a fábrica previsto para alimentação eléctrica **400V**. Se a alimentação for de **230 V**, alterar a ligação do motor (de estrela a triângulo) e a regulação do relé térmico.
- Os queimadores RS 34-44/M Z foram homologados para funcionamento intermitente. Isto significa que devem parar “por Norma” pelo menos uma vez cada 24 horas para permitir que a caixa de controlo faça uma verificação da eficácia ao arranque. Normalmente, a paragem do queimador é garantida pelo termóstato/pressostato da caldeira. Se assim não for, deverá colocar em série com o interruptor IN, um interruptor horário que pare o queimador pelo menos uma vez cada 24 horas.
- Os queimadores RS 34-44/M Z deixam a fábrica predispostos para funcionamento bifásico e portanto deve ser ligado o termóstato/pressostato TR. Se desejar, em vez, que o queimador tenha um funcionamento monofásico, inserir, em substituição do termóstato/pressostato TR, uma ponte entre os terminais T6 - T7 da ficha X4.

## FUNCIONAMENTO MODULAR

No caso de conexão do Kit regulador de potência RWF40 ou do conversor 0...10V / 4...20mA, em sinal de 3 pontos, deve ser tirado o termóstato/pressostato TR (se a tomada de 4 pólos estiver desengatada, colocar a cobertura inclusa).

Somente com o regulador RWF 40 retirar também o termóstato/pressostato TL..



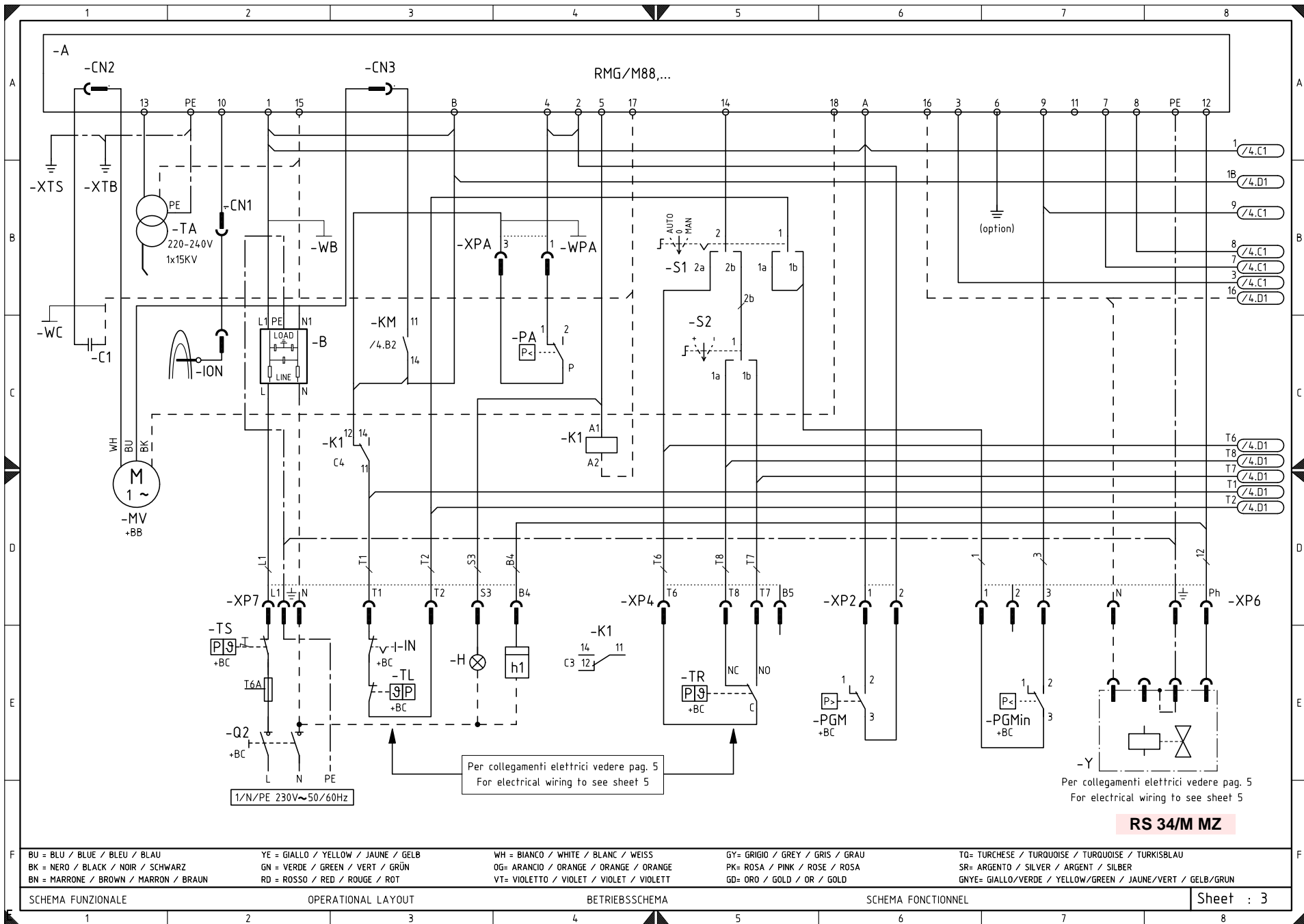
### ATENÇÃO:

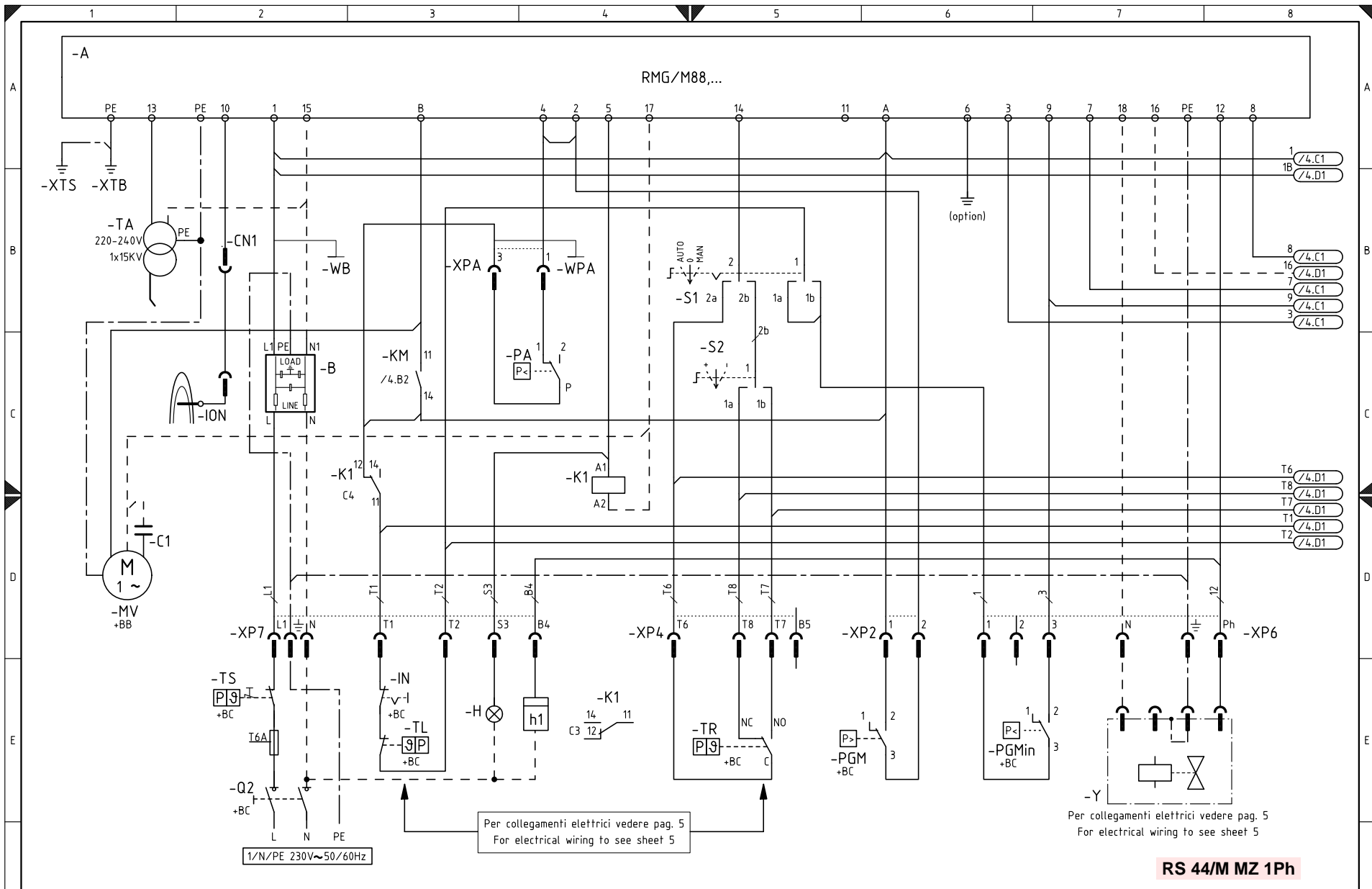
- Não inverter o neutro com a fase na linha de alimentação eléctrica. A eventual inversão poderia determinar uma paragem em bloqueio por falta de acendimento.
- Substituir os componentes unicamente com peças sobresselentes originais.

**Electrical panel layout - Esquema cuadro eléctrico**  
**Esquema quadro eléctrico**

<b>1</b>		<b>INDEX - ÍNDICE - ÍNDICE</b>
<b>2</b>		Indication of references - Indicación referencias Indicação das referências
<b>3</b>	RS 34/M MZ RS 44/M MZ	Functional layout - Esquema funcional Esquema funcional
<b>4</b>	RS 34/M MZ RS 44/M MZ	Functional layout - Esquema funcional Esquema funcional
<b>5</b>	RS 34/M MZ RS 44/M MZ	Electrical wiring is the responsibility of the installation engineer - Conexiones eléctricas a cargo del instalador - Ligações eléctricas pelo instalador
<b>6</b>	RS 34/M MZ RS 44/M MZ	Kit electrical wiring - Conexiones eléctricas kit Ligações eléctricas kit
<b>7</b>	RS 34/M MZ RS 44/M MZ	Functional layout RWF 40 - Esquema funcional RWF 40 Esquema funcional RWF 40

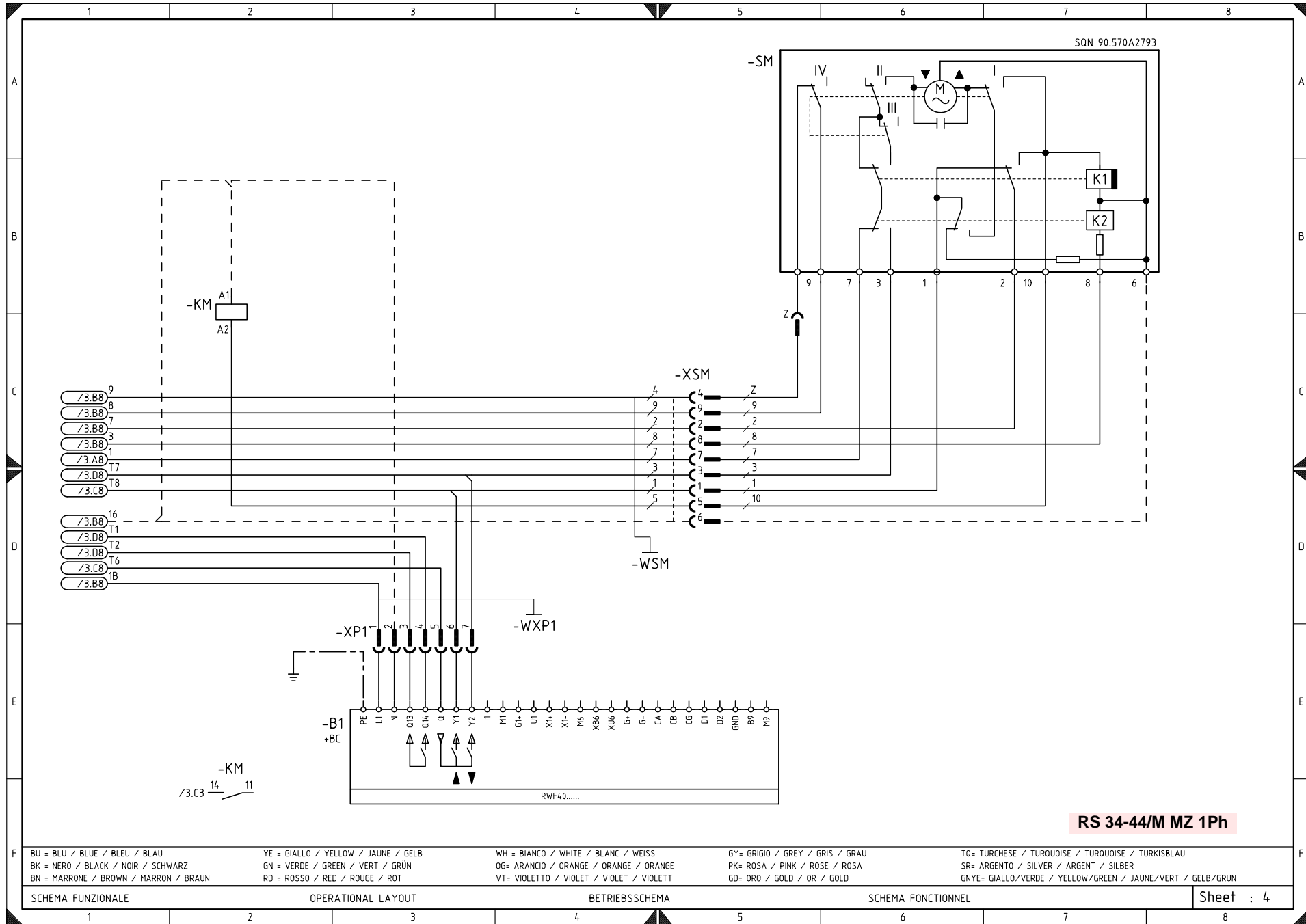
<b>2</b>	<b>Indication of references - Indicación referencias - Indicação das referências</b>
<p style="text-align: center;">Sheet no. - N. Folio - N. Folha</p> <p style="text-align: center;">Co-ordinates - Coordenadas - Coordenadas</p> <p style="text-align: right; font-weight: bold; font-size: 1.2em;">/1.A1</p>	

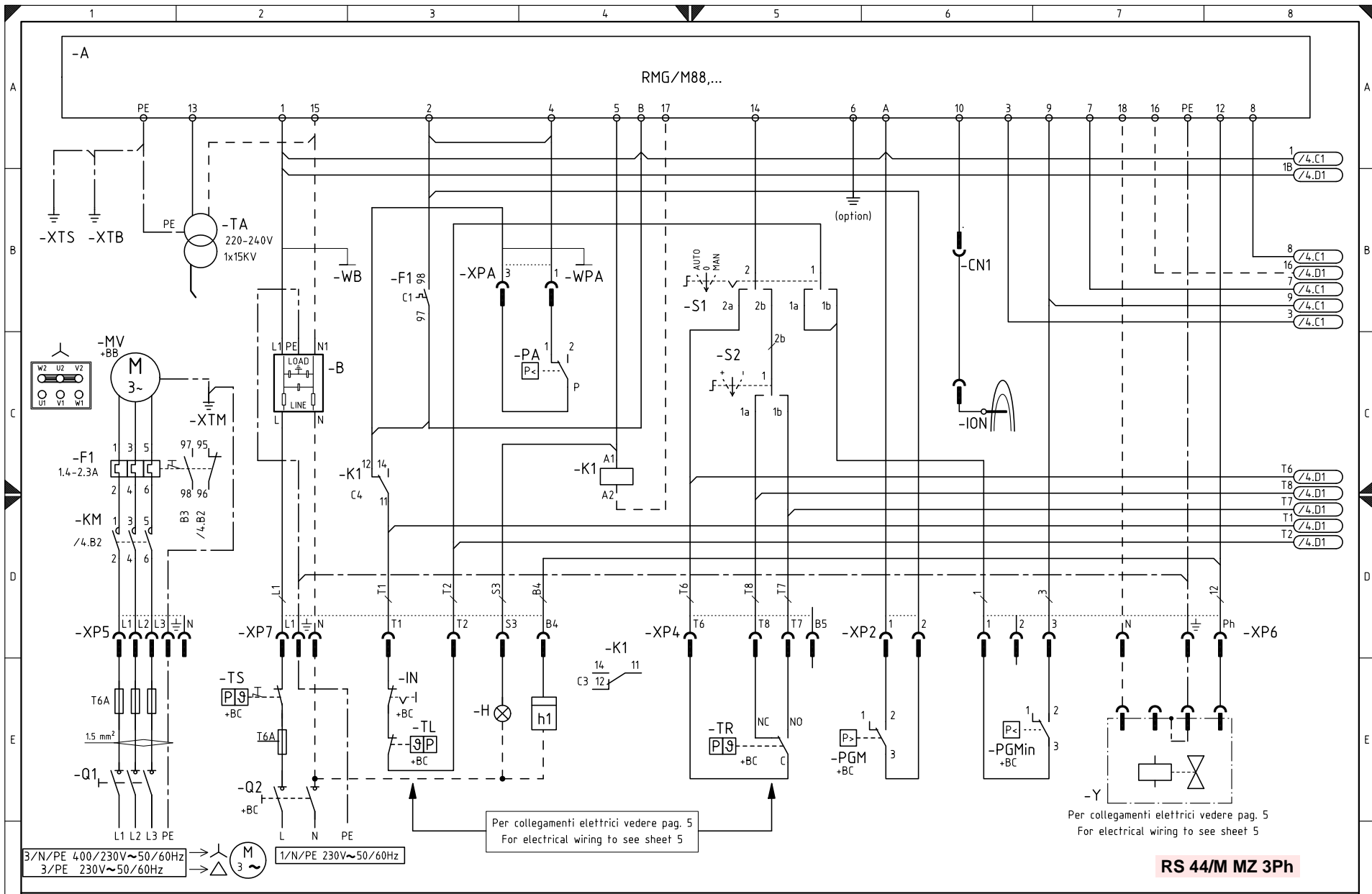




**RS 44/M MZ 1Ph**

BU = BLU / BLUE / BLEU / BLAU	YE = GIALLO / YELLOW / JAUNE / GELB	WH = BIANCO / WHITE / BLANC / WEISS	GY= GRIGIO / GREY / GRIS / GRAU	TQ= TURCHESE / TURQUOISE / TURQUOISE / TURKISBLAU
BK = NERO / BLACK / NOIR / SCHWARZ	GN = VERDE / GREEN / VERT / GRÜN	OG= ARANCIO / ORANGE / ORANGE / ORANGE	PK= ROSA / PINK / ROSE / ROSA	SR= ARGENTO / SILVER / ARGENT / SILBER
BN = MARRONE / BROWN / MARRON / BRAUN	RD = ROSSO / RED / ROUGE / ROT	VT= VIOLETTA / VIOLET / VIOLET / VIOLETT	GD= ORO / GOLD / OR / GOLD	GRNE= GIALLO/VERDE / YELLOW/GREEN / JAUNE/VERT / GELB/GRÜN



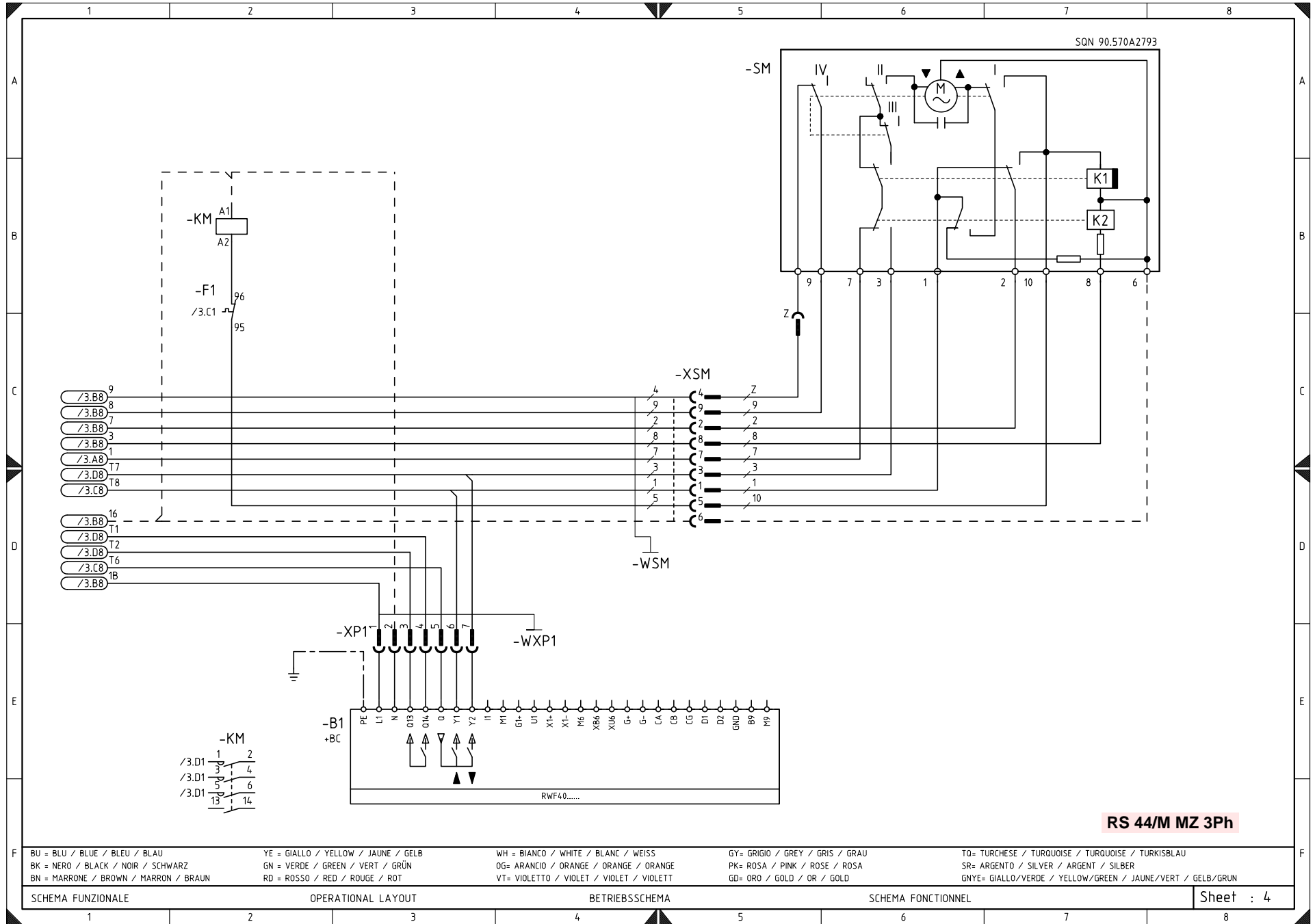


Per collegamenti elettrici vedere pag. 5  
For electrical wiring to see sheet 5

Per collegamenti elettrici vedere pag. 5  
For electrical wiring to see sheet 5

**RS 44/M MZ 3Ph**

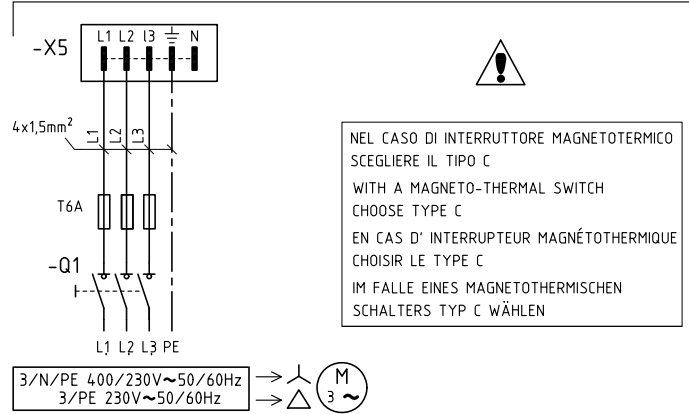
BU = BLU / BLUE / BLEU / BLAU	YE = GIALLO / YELLOW / JAUNE / GELB	WH = BIANCO / WHITE / BLANC / WEISS	GY= GRIGIO / GREY / GRIS / GRAU	TQ= TURCHESE / TURQUOISE / TURQUOISE / TURKISBLAU
BK = NERO / BLACK / NOIR / SCHWARZ	GN = VERDE / GREEN / VERT / GRÜN	OG= ARANCIO / ORANGE / ORANGE / ORANGE	PK= ROSA / PINK / ROSE / ROSA	SR= ARGENTO / SILVER / ARGENT / SILBER
BN = MARRONE / BROWN / MARRON / BRAUN	RD = ROSSO / RED / ROUGE / ROT	VT= VIOLETTO / VIOLET / VIOLET / VIOLETT	GD= ORO / GOLD / OR / GOLD	GRYE= GIALLO/VERDE / YELLOW/GREEN / JAUNE/VERT / GELB/GRÜN



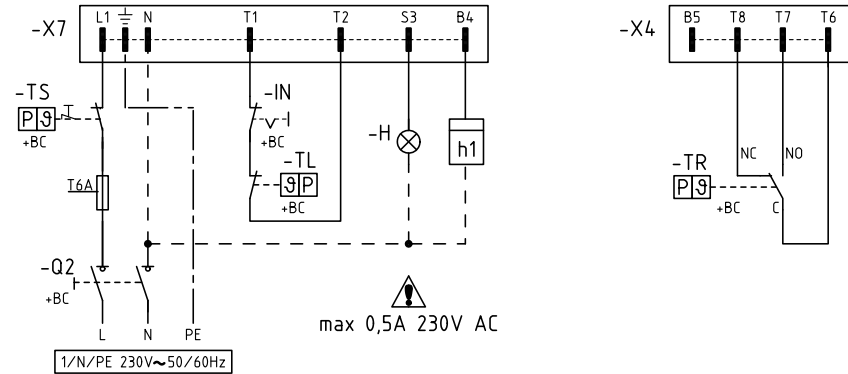
**RS 44/M MZ 3Ph**

BU = BLU / BLUE / BLEU / BLAU	YE = GIALLO / YELLOW / JAUNE / GELB	WH = BIANCO / WHITE / BLANC / WEISS	GY= GRIGIO / GREY / GRIS / GRAU	TQ= TURCHESE / TURQUOISE / TURQUOISE / TURKISBLAU
BK = NERO / BLACK / NOIR / SCHWARZ	GN = VERDE / GREEN / VERT / GRÜN	OG= ARANCIO / ORANGE / ORANGE / ORANGE	PK= ROSA / PINK / ROSE / ROSA	SR= ARGENTO / SILVER / ARGENT / SILBER
BN = MARRONE / BROWN / MARRON / BRAUN	RD = ROSSO / RED / ROUGE / ROT	VT= VIOLETTA / VIOLET / VIOLET / VIOLETT	GD= ORO / GOLD / OR / GOLD	GNYE= GIALLO/VERDE / YELLOW/GREEN / JAUNE/VERT / GELB/GRÜN

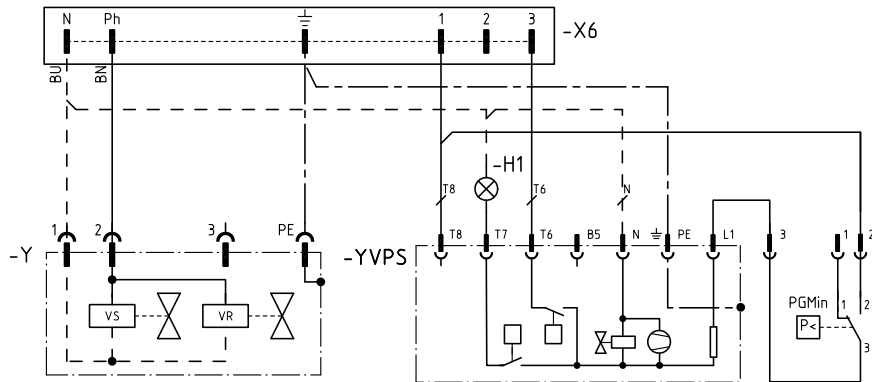
SOLO PER LA VERSIONE TRIFASE/ONLY FOR THE THREE PHASE VERSION



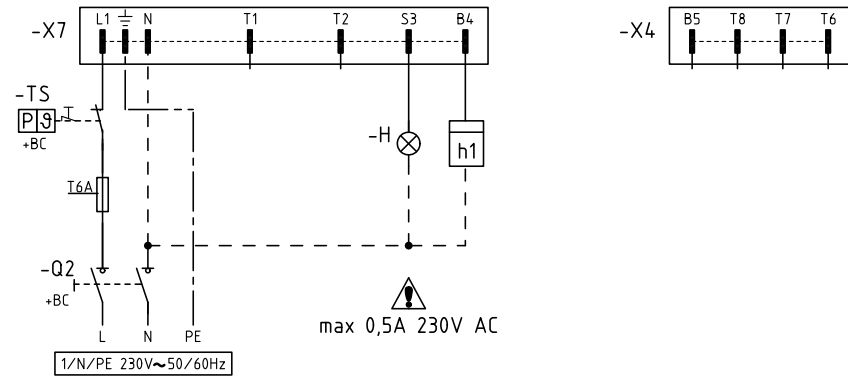
SENZA KIT RWF40 - WITHOUT RWF 40 - SANS RWF 40 - OHNE RWF 40



VPS 504 CONTROLLO TENUTA VALVOLE GAS - VPS 504 GAS LEAKAGE DETECTOR  
VPS 504 CONTROLE D' ETANCHEITE GAZ - VPS 504 DICHTHEITSKONTROLLE



CON KIT RWF40 - WITH RWF 40 - AVEC RWF 40 - MIT RWF 40



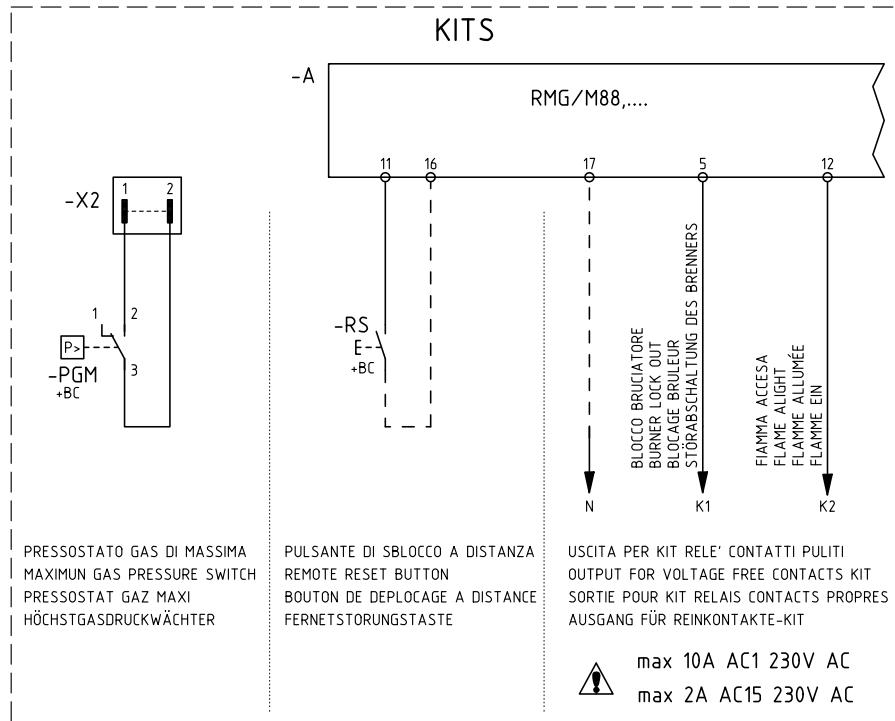
RS 34-44/M MZ 1Ph-3Ph

BU = BLU / BLUE / BLEU / BLAU	YE = GIALLO / YELLOW / JAUNE / GELB	WH = BIANCO / WHITE / BLANC / WEISS	GY = GRIGIO / GREY / GRIS / GRAU	TQ= TURCHESE / TURQUOISE / TURQUOISE / TURKISBLAU
BK = NERO / BLACK / NOIR / SCHWARZ	GN = VERDE / GREEN / VERT / GRÜN	OG= ARANCIO / ORANGE / ORANGE / ORANGE	PK= ROSA / PINK / ROSE / ROSA	SR= ARGENTO / SILVER / ARGENT / SILBER
BN = MARRONE / BROWN / MARRON / BRAUN	RD = ROSSO / RED / ROUGE / ROT	VT= VIOLETTA / VIOLET / VIOLET / VIOLETT	GD= ORO / GOLD / OR / GOLD	GNYE= GIALLO/VERDE / YELLOW/GREEN / JAUNE/VERT / GELB/GRÜN

COLLEGAMENTI ELETTRICI A CURA DELL' INSTALLATORE ELECTRICAL CONNECTIONS SET BY INSTALLER ELEKTROANSCHLÜSSE VOM INSTALLATEUR AUSZUFÜHREN RACCORDEMENTS ÉLECTRIQUE EFFECTUÉ PAR L' INSTALLATEUR

Sheet : 5

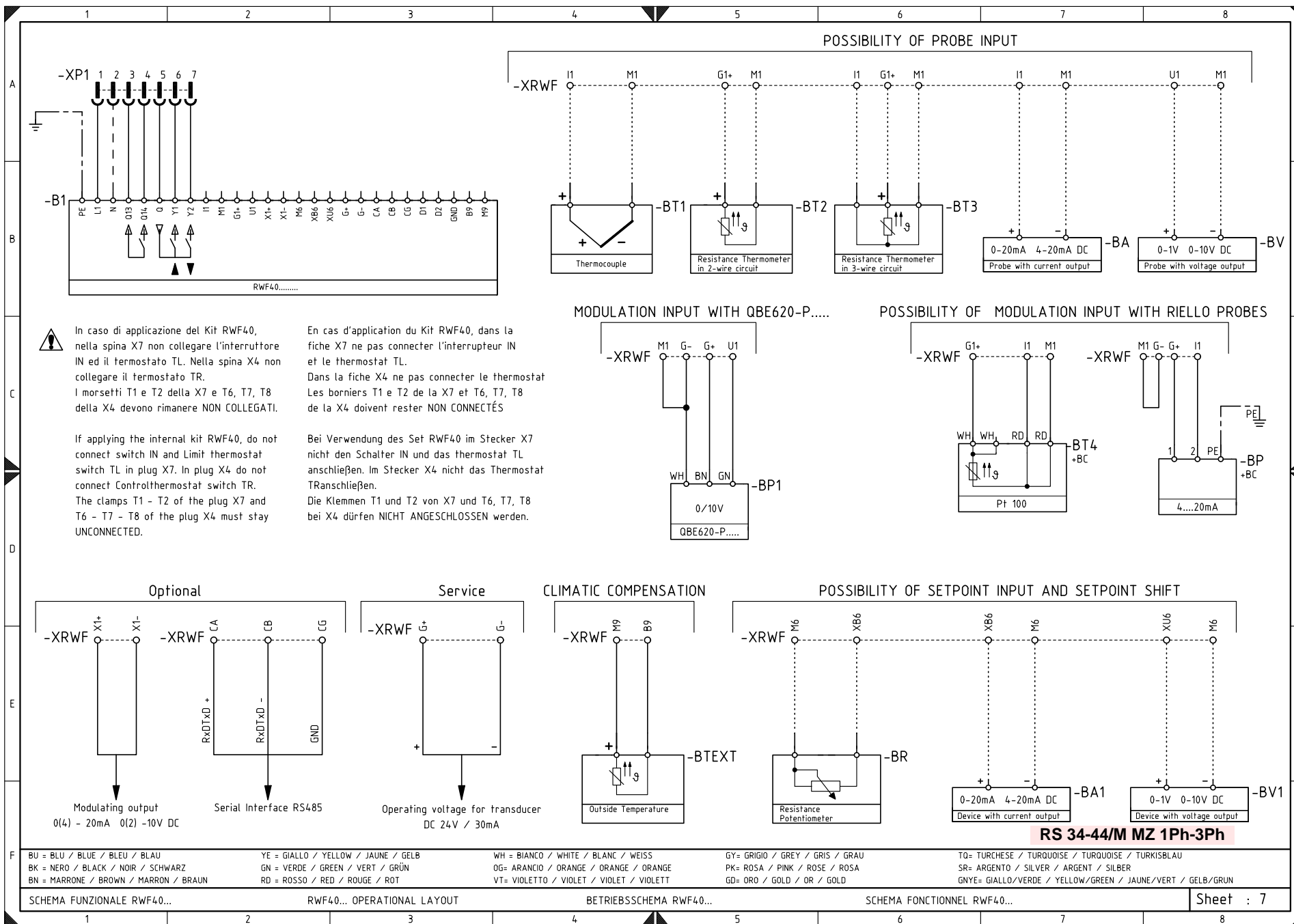




**RS 34-44/M MZ 1Ph-3Ph**

BU = BLU / BLUE / BLEU / BLAU	YE = GIALLO / YELLOW / JAUNE / GELB	WH = BIANCO / WHITE / BLANC / WEISS	GY= GRIGIO / GREY / GRIS / GRAU	TQ= TURCHESE / TURQUOISE / TURQUOISE / TURKISBLAU
BK = NERO / BLACK / NOIR / SCHWARZ	GN = VERDE / GREEN / VERT / GRÜN	OG= ARANCIO / ORANGE / ORANGE / ORANGE	PK= ROSA / PINK / ROSE / ROSA	SR= ARGENTO / SILVER / ARGENT / SILBER
BN = MARRONE / BROWN / MARRON / BRAUN	RD = ROSSO / RED / ROUGE / ROT	VT= VIOLETTA / VIOLET / VIOLET / VIOLETT	GD= ORO / GOLD / OR / GOLD	GNYE= GIALLO/VERDE / YELLOW/GREEN / JAUNE/VERT / GELB/GRÜN

COLLEGAMENTI ELETTRICI KIT      ELECTRICAL CONNECTIONS FOR KIT      ELEKTROANSCHLÜSSE EXTERNER KIT      RACCORDEMENTS ÉLECTRIQUE KIT



In caso di applicazione del Kit RWF40, nella spina X7 non collegare l'interruttore IN ed il termostato TL. Nella spina X4 non collegare il termostato TR. I morsetti T1 e T2 della X7 e T6, T7, T8 della X4 devono rimanere NON COLLEGATI.

En cas d'application du Kit RWF40, dans la fiche X7 ne pas connecter l'interrupteur IN et le thermostat TL. Dans la fiche X4 ne pas connecter le thermostat TR. Les borniers T1 et T2 de la X7 et T6, T7, T8 de la X4 doivent rester NON CONNECTÉS.

If applying the internal kit RWF40, do not connect switch IN and Limit thermostat switch TL in plug X7. In plug X4 do not connect Controlthermostat switch TR. The clamps T1 - T2 of the plug X7 and T6 - T7 - T8 of the plug X4 must stay UNCONNECTED.

Bei Verwendung des Set RWF40 im Stecker X7 nicht den Schalter IN und das thermostat TL anschließen. Im Stecker X4 nicht das Thermostat TR anschließen. Die Klemmen T1 und T2 von X7 und T6, T7, T8 bei X4 dürfen NICHT ANGESCHLOSSEN werden.

BU = BLU / BLUE / BLEU / BLAU	YE = GIALLO / YELLOW / JAUNE / GELB	WH = BIANCO / WHITE / BLANC / WEISS	GY = GRIGIO / GREY / GRIS / GRAU	TQ = TURCHESE / TURQUOISE / TURQUOISE / TURKISBLAU
BK = NERO / BLACK / NOIR / SCHWARZ	GN = VERDE / GREEN / VERT / GRÜN	OG= ARANCIO / ORANGE / ORANGE / ORANGE	PK= ROSA / PINK / ROSE / ROSA	SR= ARGENTO / SILVER / ARGENT / SILBER
BN = MARRONE / BROWN / MARRON / BRAUN	RD = ROSSO / RED / ROUGE / ROT	VT= VIOLETTO / VIOLET / VIOLET / VIOLETT	GD= ORO / GOLD / OR / GOLD	SNYE= GIALLO/VERDE / YELLOW/GREEN / JAUNE/VERT / GELB/GRÜN

**KEY TO ELECTRICAL LAYOUT**

<b>A</b>	- Electrical control box
<b>B</b>	- Radio noise filter
<b>B1</b>	- Output power regulator RWF40
<b>BA</b>	- Input under current 4...20 mA DC
<b>BA1</b>	- Input under current 4...20 mA DC to modify the setpoint
<b>+BB</b>	- Components on burners
<b>+BC</b>	- Components on boiler
<b>BP</b>	- Pressure probe
<b>BP1</b>	- Pressure probe
<b>BR</b>	- Remote setpoint potentiometer
<b>BT1</b>	- Thermocouple probe
<b>BT2</b>	- Two-wire probe Pt100
<b>BT3</b>	- Three-wire probe Pt100
<b>BT4</b>	- Four-wire probe Pt100
<b>BTEXT</b>	- External probe for climatic setpoint compensation
<b>BV</b>	- Input under voltage 0...10 V DC
<b>BV1</b>	- Input under voltage 0...10 V DC to modify the remote setpoint
<b>C1</b>	- Capacitor
<b>CN1</b>	- Ionisation probe connector
<b>CN2</b>	- Connector
<b>CN3</b>	- Connector
<b>F1</b>	- Fan motor thermal relay
<b>H</b>	- Remote lockout signalling
<b>H1</b>	- Lockout YVPS
<b>IN</b>	- Manual burner stop switch
<b>ION</b>	- Ionisation probe
<b>h1</b>	- Hour counter
<b>K1</b>	- Relay
<b>KM</b>	- Motor contact maker
<b>MV</b>	- Fan motor
<b>PA</b>	- Air pressure switch
<b>PGM</b>	- Maximum gas pressure switch
<b>PGMin</b>	- Low gas pressure switch
<b>Q1</b>	- Three phase knife switch
<b>Q2</b>	- Single-phase knife switch
<b>RS</b>	- Remote reset button
<b>S1</b>	- Unlit / automatic / manual selector switch
<b>S2</b>	- Power increase/decrease selector switch
<b>SM</b>	- Servomotor
<b>TA</b>	- Ignition transformer
<b>TL</b>	- Limit thermostat/pressure switch
<b>TR</b>	- Adjustment thermostat/pressure switch
<b>TS</b>	- Safety thermostat/pressure switch
<b>Y</b>	- Gas regulation valve + gas safety valve
<b>YVPS</b>	- Gas valve leak detection control device
<b>XPA</b>	- Air pressure switch connector
<b>XP1</b>	- Modulation kit socket
<b>XP2</b>	- Maximum gas pressure switch connector
<b>XP4</b>	- 4-pole socket
<b>XP5</b>	- 5-pole socket
<b>XP6</b>	- 6-pole socket
<b>XP7</b>	- 7-pole socket
<b>XRWF</b>	- Output power regulator RWF40 terminal strip
<b>XSM</b>	- Servomotor connector
<b>XTB</b>	- Shelf earth
<b>XTM</b>	- Fan assembly earth
<b>XTS</b>	- Servomotor assembly earth
<b>X2</b>	- 2-pin plug
<b>X4</b>	- 4-pin plug
<b>X5</b>	- 5-pin plug
<b>X6</b>	- 6-pin plug
<b>X7</b>	- 7-pin plug

**LEYENDA ESQUEMAS ELÉCTRICOS**

<b>A</b>	- Caja de control eléctrica
<b>B</b>	- Filtro antiinterferencias radio
<b>B1</b>	- Regulador de potencia RWF40
<b>BA</b>	- Entrada en corriente 4...20 mA DC
<b>BA1</b>	- Entrada en corriente 4...20 mA DC para modificar setpoint a distancia
<b>+BB</b>	- Componentes a bordo de los quemadores
<b>+BC</b>	- Componentes a bordo de la caldera
<b>BP</b>	- Sonda de presión
<b>BP1</b>	- Sonda de presión
<b>BR</b>	- Potenciómetro setpoint a distancia
<b>BT1</b>	- Sonda a termopar
<b>BT2</b>	- Sonda Pt100 de 2 hilos
<b>BT3</b>	- Sonda Pt100 de 3 hilos
<b>BT4</b>	- Sonda Pt100 de 4 hilos
<b>BTEXT</b>	- Sonda externa para la compensación climática del setpoint
<b>BV</b>	- Entrada en tensión 0...10 V DC
<b>BV1</b>	- Entrada en tensión 0...10 V DC para modificar setpoint a distancia
<b>C1</b>	- Condensador
<b>CN1</b>	- Conector para sonda de ionización
<b>CN2</b>	- Conector
<b>CN3</b>	- Conector
<b>F1</b>	- Relé térmico motor ventilador
<b>H</b>	- Señalización de bloqueo a distancia
<b>H1</b>	- Bloqueo YVPS
<b>IN</b>	- Interruptor parada manual del quemador
<b>ION</b>	- Sonda de ionización
<b>h1</b>	- Cuentahoras
<b>K1</b>	- Relé
<b>KM</b>	- Contador motor
<b>MV</b>	- Motor ventilador
<b>PA</b>	- Presostato aire
<b>PGM</b>	- Presostato gas de máxima
<b>PGMin</b>	- Presostato gas de mínima
<b>Q1</b>	- Interruptor seccionador trifásico
<b>Q2</b>	- Interruptor seccionador monofásico
<b>RS</b>	- Botón de desbloqueo quemador a distancia
<b>S1</b>	- Selector apagado / automático / manual
<b>S2</b>	- Selector aumento / disminución de potencia
<b>SM</b>	- Servomotor
<b>TA</b>	- Transformador de encendido
<b>TL</b>	- Termostato/presostato de límite
<b>TR</b>	- Termostato/presostato de regulación
<b>TS</b>	- Termostato/presostato de seguridad
<b>Y</b>	- Válvula de regulación gas + válvula de seguridad gas
<b>YVPS</b>	- Dispositivo de control de estanqueidad válvula gas
<b>XPA</b>	- Conector presostato aire
<b>XP1</b>	- Conector hembra para kit modulación
<b>XP2</b>	- Conector presostato gas de máxima
<b>XP4</b>	- Conector hembra de 4 contactos
<b>XP5</b>	- Conector hembra de 5 contactos
<b>XP6</b>	- Conector hembra de 6 contactos
<b>XP7</b>	- Conector hembra de 7 contactos
<b>XRWF</b>	- Conector regulador de potencia RWF40
<b>XSM</b>	- Conector servomotor
<b>XTB</b>	- Tierra ménsula
<b>XTM</b>	- Tierra grupo ventilador
<b>XTS</b>	- Tierra grupo servomotor
<b>X2</b>	- Conector macho de 2 contactos
<b>X4</b>	- Conector macho de 4 contactos
<b>X5</b>	- Conector macho de 5 contactos
<b>X6</b>	- Conector macho de 6 contactos
<b>X7</b>	- Conector macho de 7 contactos

## LEGENDA ESQUEMAS ELÉTRICOS

<b>A</b>	- Caixa de controlo eléctrica
<b>B</b>	- Filtro contra radio-interferências
<b>B1</b>	- Regulador de potência RWF40
<b>BA</b>	- Entrada em corrente 4...20 mA DC
<b>BA1</b>	- Entrada em corrente 4...20 mA DC para modificação do ponto de referência remoto
<b>+BB</b>	- Componentes bordo queimadores
<b>+BC</b>	- Componentes bordo caldeira
<b>BP</b>	- Sonda de pressão
<b>BP1</b>	- Sonda de pressão
<b>BR</b>	- Potenciómetro ponto de referência remoto
<b>BT1</b>	- Sonda por termopar
<b>BT2</b>	- Sonda Pt100 de 2 fios
<b>BT3</b>	- Sonda Pt100 de 3 fios
<b>BT4</b>	- Sonda Pt100 de 4 fios
<b>BTEXT</b>	- Sonda externa para a compensação climática do ponto de referência
<b>BV</b>	- Entrada em tensão 0...10 V DC
<b>BV1</b>	- Entrada em tensão 0...10 V DC para modificação do ponto de referência remoto
<b>C1</b>	- Condensador
<b>CN1</b>	- Conector sonda de ionização
<b>CN2</b>	- Conector
<b>CN3</b>	- Conector
<b>F1</b>	- Relé térmico motor ventilador
<b>H</b>	- Sinalização de bloqueio remoto
<b>H1</b>	- Bloqueio YVPS
<b>IN</b>	- Interruptor paragem manual queimador
<b>ION</b>	- Sonda de ionização
<b>h1</b>	- Conta-horas
<b>K1</b>	- Relé
<b>KM</b>	- Contactador motor
<b>MV</b>	- Motor ventilador
<b>PA</b>	- Pressostato de ar
<b>PGM</b>	- Pressostato gás de máxima
<b>PGMin</b>	- Pressostato de gás de mínima
<b>Q1</b>	- Interruptor seccionador trifásico
<b>Q2</b>	- Interruptor seccionador monofásico
<b>RS</b>	- Botão de desbloqueio queimador a distância
<b>S1</b>	- Selector desligado / automático / manual
<b>S2</b>	- Selector aumento / diminuição potência
<b>SM</b>	- Servomotor
<b>TA</b>	- Transformador de acendimento
<b>TL</b>	- Termóstato/pressostato de limite
<b>TR</b>	- Termóstato/pressostato de regulação
<b>TS</b>	- Termóstato/pressostato de segurança
<b>Y</b>	- Válvula de regulação gás + válvula de segurança gás
<b>YVPS</b>	- Dispositivo de controlo da estanquidade das válvulas gás
<b>XPA</b>	- Conector pressostato de ar
<b>XP1</b>	- Tomada para kit modulação
<b>XP2</b>	- Conector pressostato gás de máxima
<b>XP4</b>	- Tomada de 4 pólos
<b>XP5</b>	- Tomada de 5 pólos
<b>XP6</b>	- Tomada de 6 pólos
<b>XP7</b>	- Tomada de 7 pólos
<b>XRWF</b>	- Conector regulador de potência RWF40
<b>XSM</b>	- Conector servomotor
<b>XTB</b>	- Terra consola
<b>XTM</b>	- Terra grupo ventilador
<b>XTS</b>	- Terra grupo servomotor
<b>X2</b>	- Ficha de 2 pólos
<b>X4</b>	- Ficha de 4 pólos
<b>X5</b>	- Ficha de 5 pólos
<b>X6</b>	- Ficha de 6 pólos
<b>X7</b>	- Ficha de 7 pólos







---

**RIELLO**

RIELLO S.p.A.  
I-37045 Legnago (VR)  
Tel.: +39.0442.630111  
[http:// www.riello.it](http://www.riello.it)  
[http:// www.rielloburners.com](http://www.rielloburners.com)