

INSTALLER INSTRUCTIONS

CONTENTS

1	DESCRIPTION OF THE BOILER	pag.	94
2	INSTALLATION	pag.	98
3	CHARACTERISTICS	pag.	108
4	USE AND MAINTENANCE	pag.	111

IMPORTANT

When carrying out commissioning of the boiler, you are highly recommended to perform the following checks:

- Make sure that there are no liquids or inflammable materials in the immediate vicinity of the boiler.
- Make sure that the electrical connections have been made correctly and that the earth wire is connected to a good earthing system.
- Open the gas tap and check the soundness of the connections, including that of the burner.
- Make sure that the boiler is set for operation for the type of gas supplied.
- Check that the flue pipe for the outlet of the products of the combustion is unobstructed and has been properly installed.
- Make sure that any shutoff valves are open.
- Make sure that the system is charged with water and is thoroughly vented.
- Check that the circulating pump is not locked [CAUTION: Remember to release the pump coupled with the control panel, if necessary, to protect the electronic control card].
- Purge the system, bleeding off the air present in the gas pipe by operating the pressure relief valve on the gas valve inlet.
- Check that the syphoned drip is fully filled with water. If necessary, fill it via the special opening.

FONDERIE SIME S.p.A. of Via Garbo 27 - Legnago (VR) - Italy declares that its hot water boilers, which bear the CE mark under Gas Directive 90/396/CEE and are fitted with a safety thermostat calibrated to a maximum of 110°C, **are not subject** to application of PED Directive 97/23/CEE as they meet the requirements of article 1 paragraph 3.6 of the Directive.

1 DESCRIPTION OF THE BOILER

1.1 INTRODUCTION

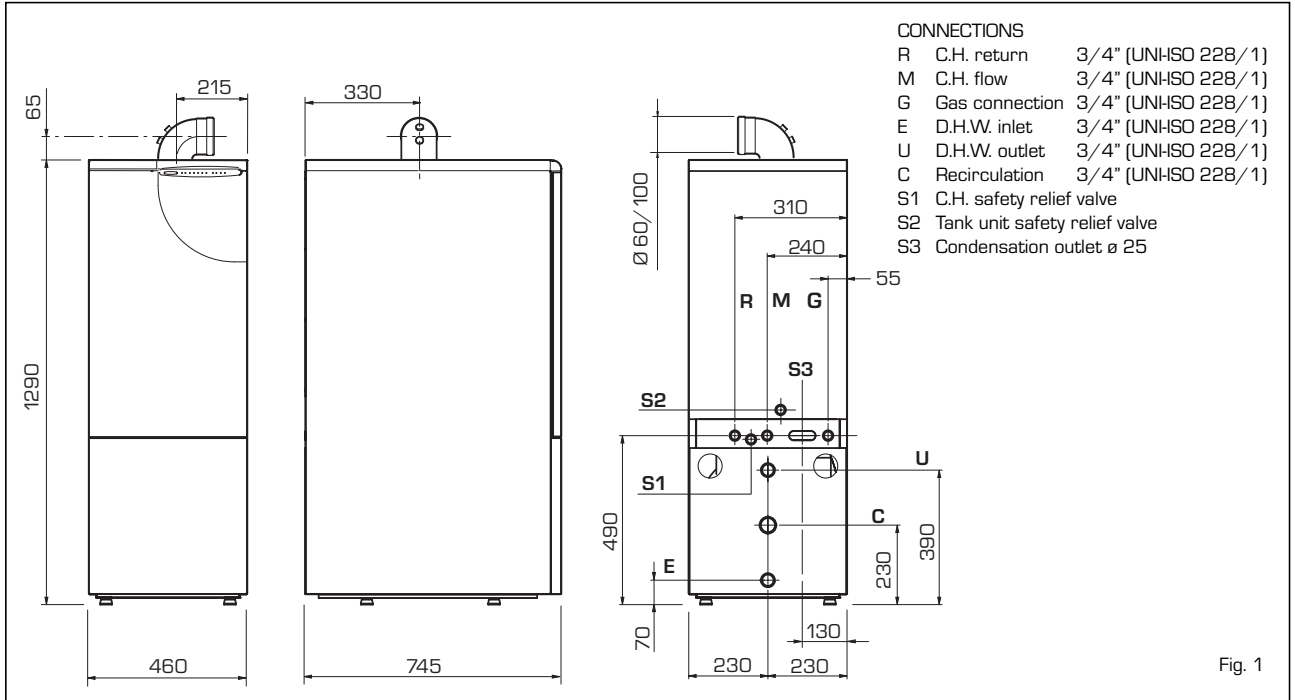
“DEWY” boilers are premix condensation thermal appliances which use microprocessor technology for function control and

management. They comply with the european directives 90/396/CEE, 89/336/CEE, 73/23/CEE, 92/42/CEE and with the european specifications EN 483 - EN 625.

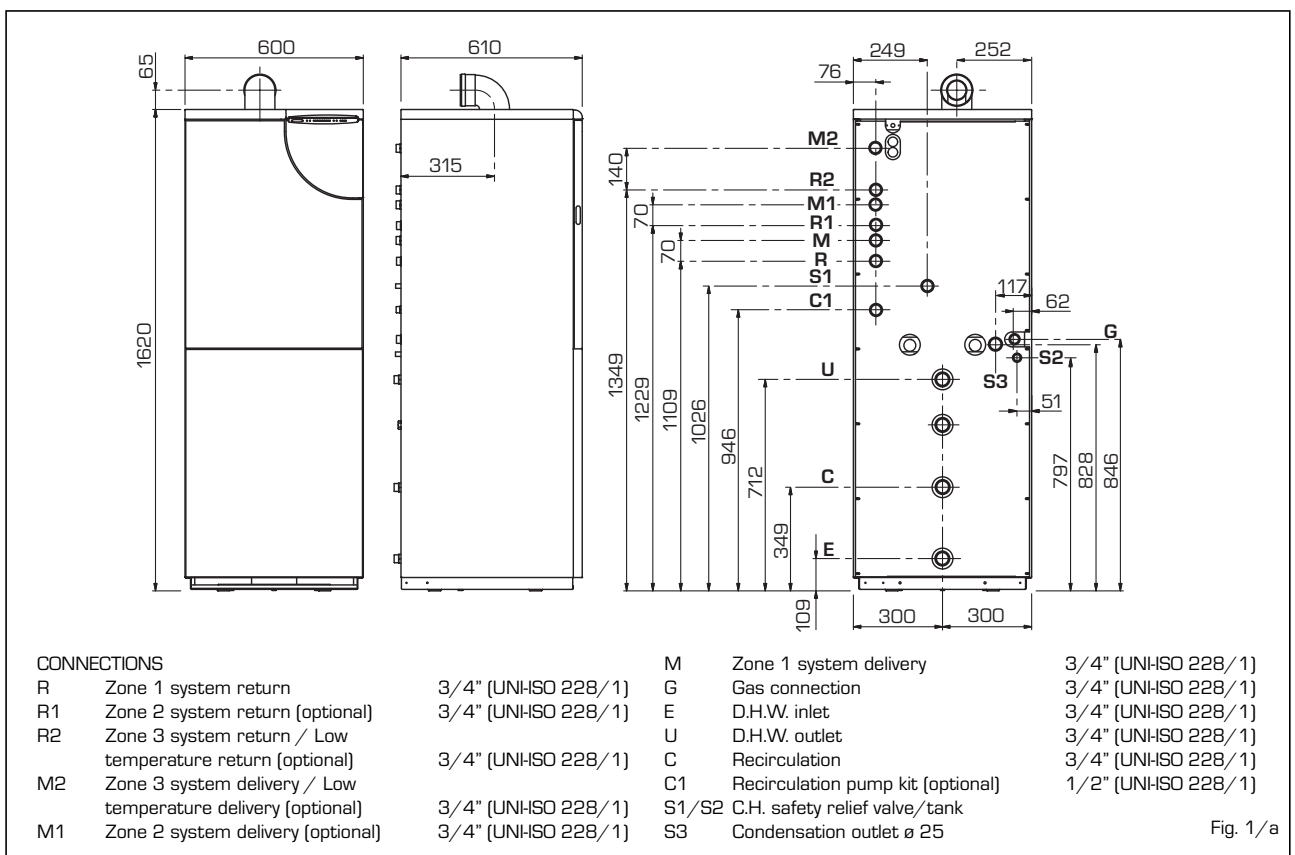
These appliances can be fired by natural gas (methane) and propane gas (G31). The instructions given in this manual are provided to ensure proper installation and perfect operation of the appliance.

1.2 DIMENSIONS

1.2.1 “30/80” model



1.2.2 “30/130” model



1.3 TECHNICAL FEATURES

		DEWY 30/80	DEWY 30/130
Heat output			
Nominal (80-60°C)	kW [kcal/h]	29,3 (25.200)	29,3 (25.200)
Minimum (80-60°C)	kW [kcal/h]	10,4 (9.000)	10,4 (9.000)
Nominal (50-30°C)	kW [kcal/h]	32,0 (27.600)	32,0 (27.600)
Minimum (50-30°C)	kW [kcal/h]	11,4 (9.800)	11,4 (9.800)
Nominal D.H.W. heat output	kW	29,3	29,3
Heat input			
Nominal/Minimum	kW	30,0 / 10,8	30,0 / 10,8
Efficiency (80-60°C)			
Nominal/Minimum output	%	97,7 / 96,7	97,7 / 96,7
Efficiency (50-30°C)			
Nominal/Minimum output	%	106,8 / 105,8	106,8 / 105,8
Water content	l	9,5	10,9
Adsorbed power consumption	W	175	175
Electrical protection grade		IP X4D	IP X4D
Maximum water head	bar	3	3
Maximum temperature	°C	85	85
Expansion vessel			
Capacity	l	8	10
Preloading pressure	bar	1	1
C.H. setting range	°C	20 - 80	20 - 80
D.H.W. setting range	°C	10 - 60	10 - 60
D.H.W. production			
D.H.W. flow rate (EN 625)	l/min	19,9	21,0
Continuous D.H.W. flow rate Δt 30°C	l/min	14	14
Maximum D.H.W. pressure	bar	7	7
D.H.W. tank capacity	l	80	130
D.H.W. expansion vessel	l	4	4
Recuperation time between 25 and 55°C	min	9'	9'40"
Smokes temperature			
Maximum/ Minimum (80-60°C)	°C	70 / 69	70 / 69
Maximum/ Minimum (50-30°C)	°C	48 / 45	48 / 45
Smokes flow	kg/h	49	49
Category		II2H3P	II2H3P
Type		B23, C13-33-43-53	B23, C13-33-43-53
Weight	kg	127	191
Main burner nozzles			
Quantity	n°	1	1
G20	ø mm	6,0	6,0
G25	ø mm	7,7	7,7
G31	ø mm	4,3	4,3
Gas consumption			
Nominal / Minimum (G20)	m ³ st/h	3,17 / 1,14	3,17 / 1,14
Nominal / Minimum (G25)	m ³ st/h	3,69 / 1,32	3,69 / 1,32
Nominal / Minimum (G31)	kg/h	1,22 / 0,44	1,22 / 0,44
Gas supply pressure			
G20	mbar	20	20
G25	mbar	25	25
G31 (Propan)	mbar	37	37
CO₂ % methane (G20)	min/max	9,2 / 9,3	9,2 / 9,3
CO₂ % methane (G25)	min/max	9,5 / 9,6	9,5 / 9,6
CO₂ % propan (G31)	min/max	10,1 / 10,3	10,1 / 10,3
CO emission	ppm	27	27
NOx emission (Class 5)	ppm	35	35

(1) Flow calculated with a fixed temperature on the hot-water service potentiometer of 60°C for a maximum period of 10 minutes

1.4 FUNCTIONAL DIAGRAM

1.4.1 "30/80" model

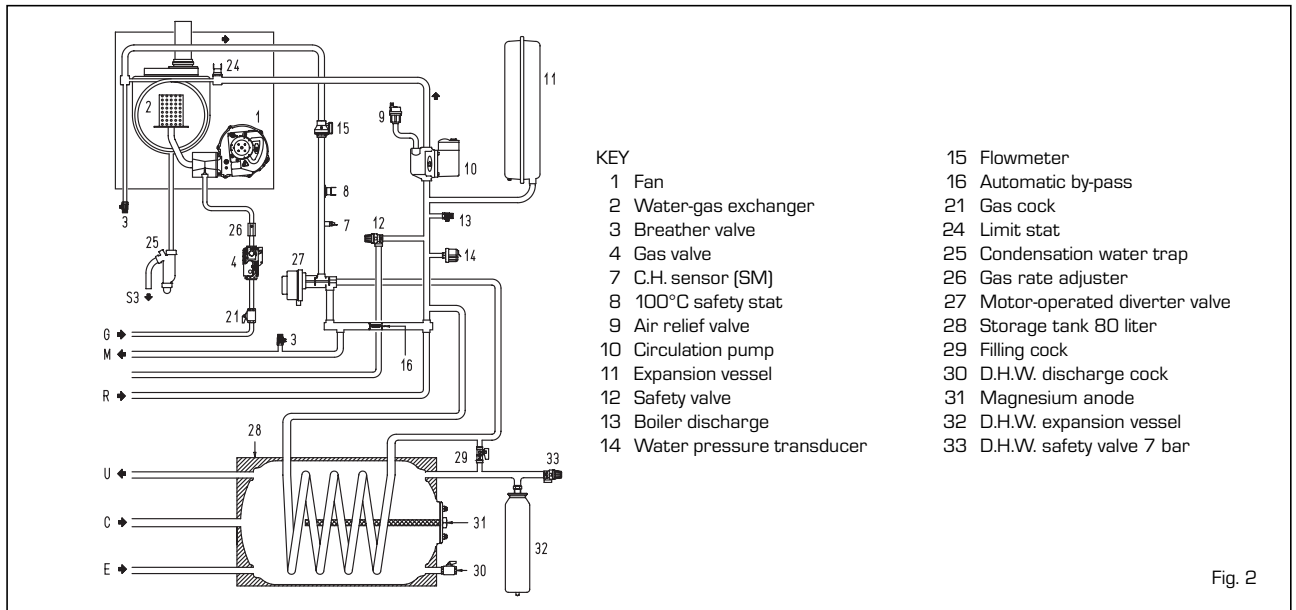


Fig. 2

1.4.2 "30/130" model

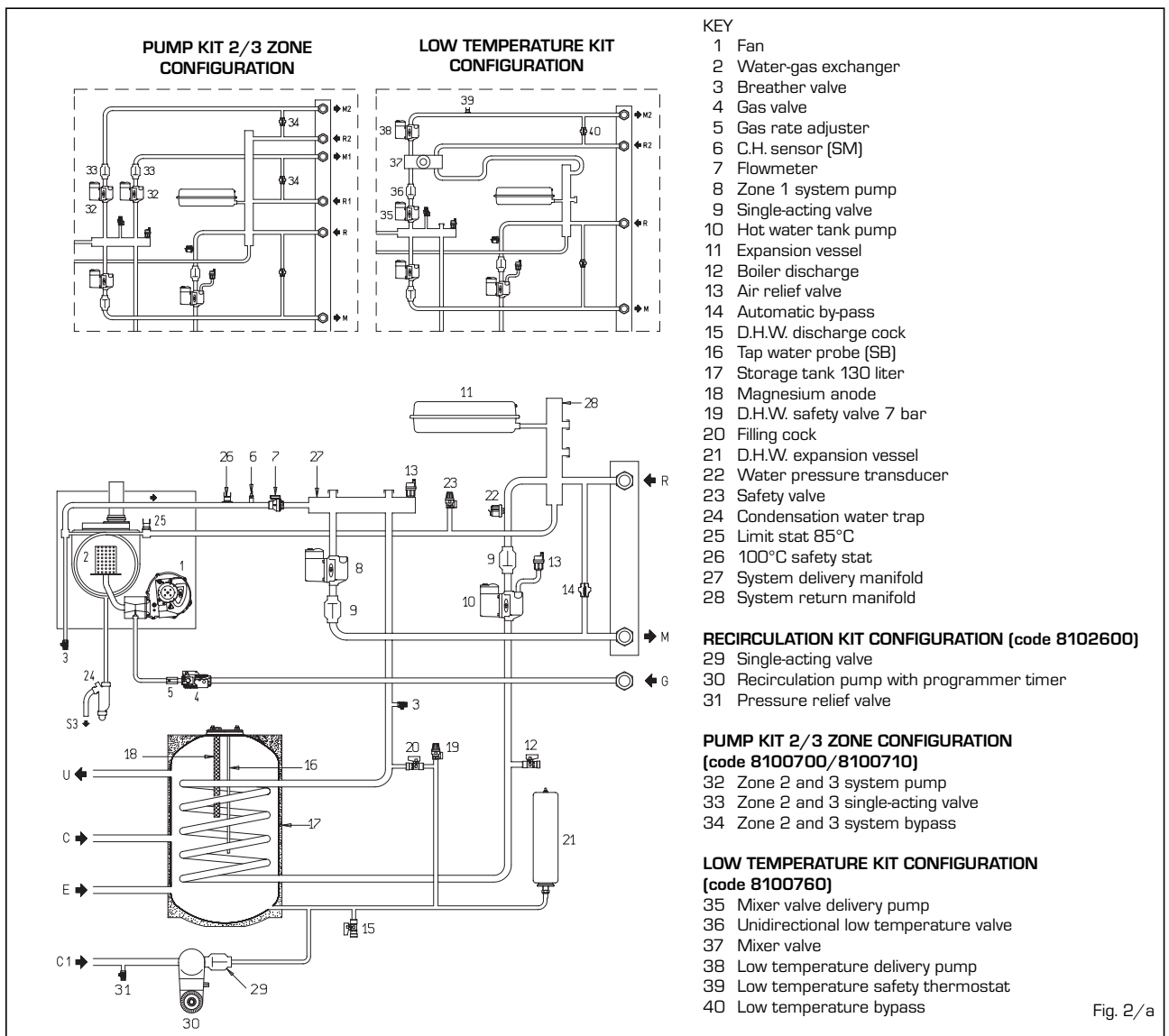
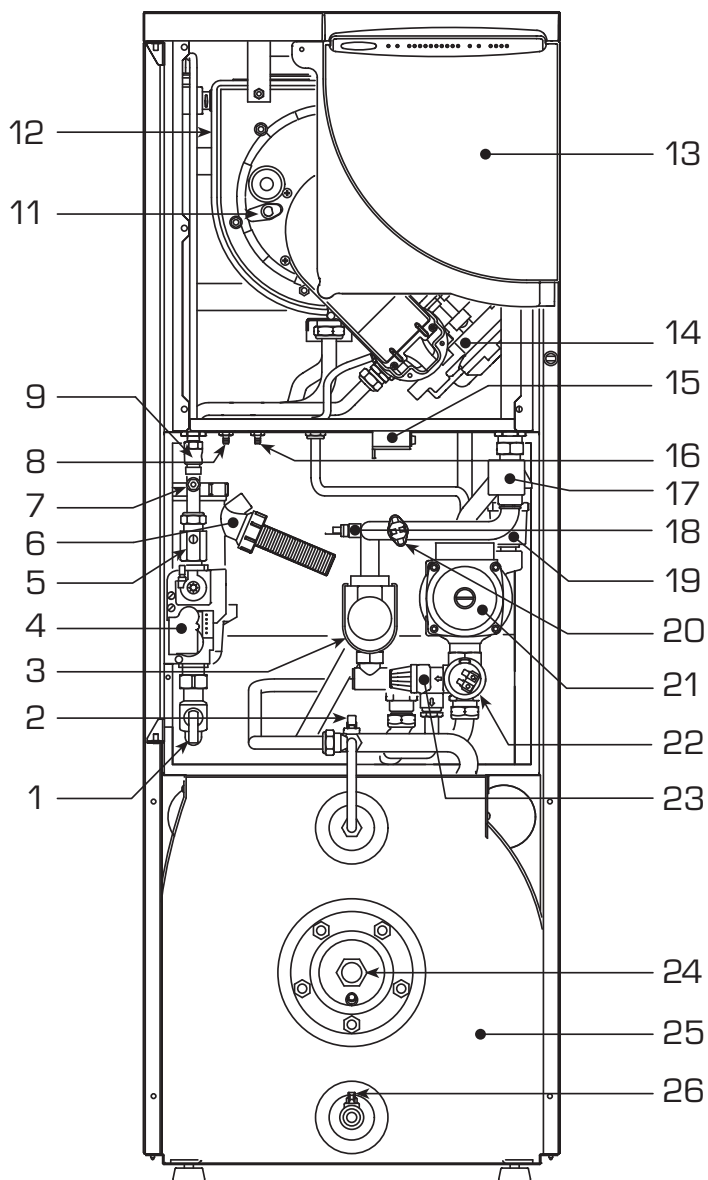


Fig. 2/a

1.5 MAIN COMPONENTS

1.5.1 "30/80" model

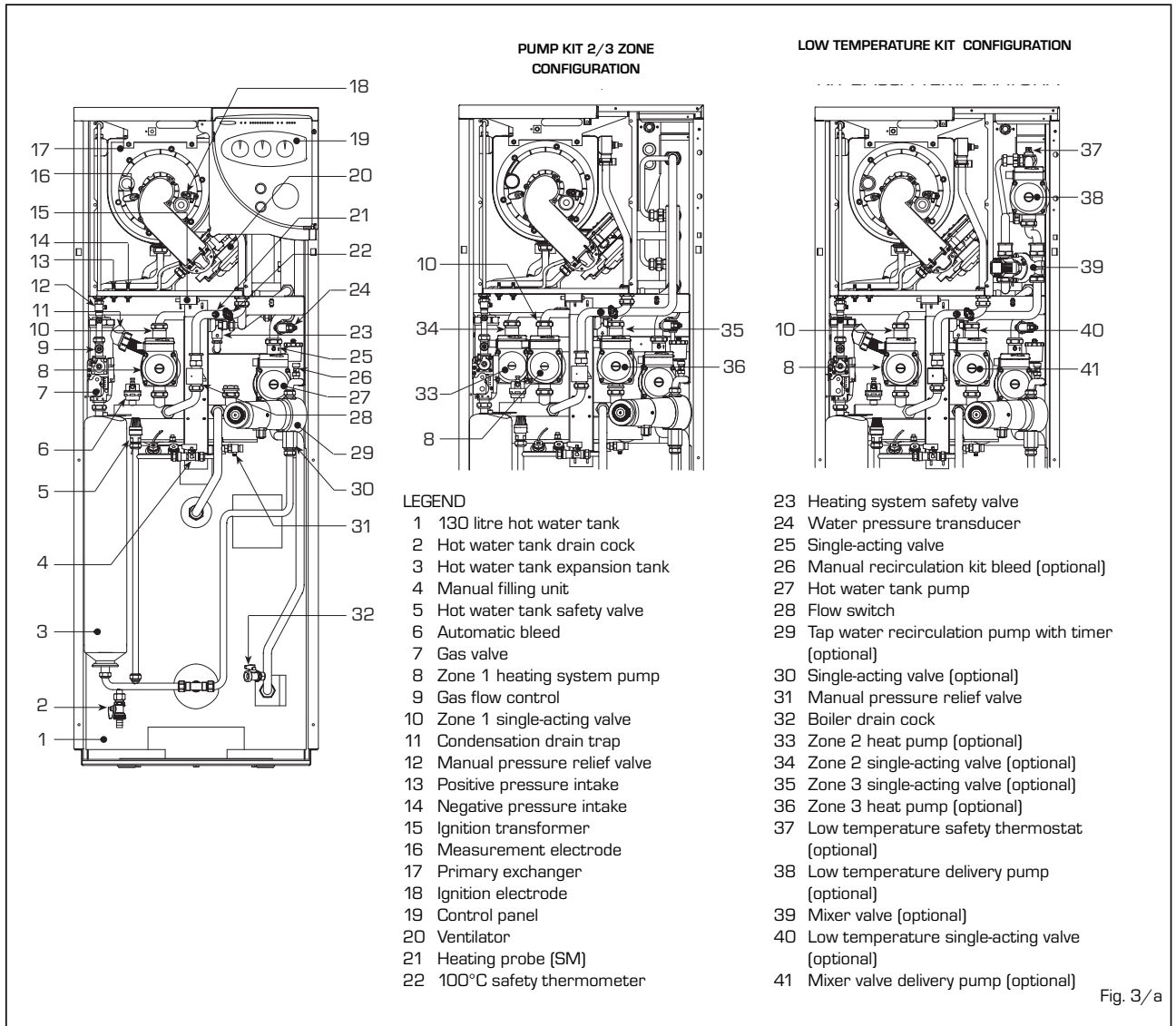


KEY

- | | |
|---------------------------------|-------------------------------|
| 1 Gas cock | 14 Fan |
| 2 Manual filling | 15 Ignition transformer |
| 3 Motor-operated diverter valve | 16 Negative pressure take-off |
| 4 Gas valve | 17 Flowmeter |
| 5 Gas rate adjuster | 18 C.H. sensor [SM] |
| 6 Condensation water trap | 19 Automatic breather |
| 7 Gas pressure take-off | 20 100°C safety stat |
| 8 Positive pressure take-off | 21 Circulating pump |
| 9 Breather valve | 22 Water pressure transducer |
| 11 Sensing electrode | 23 Safety valve |
| 12 Water-gas exchanger | 24 Magnesium anode |
| 13 Control panel | 25 Storage tank 80 liter |
| | 26 D.H.W. discharge cock |

Fig. 3

1.5.2 "30/130" model



2 INSTALLATION

The boiler must be installed in a fixed location and only by specialized and qualified firms in compliance with all instructions contained in this manual. Furthermore, the installation must be in accordance with current standards and regulations.

2.1 BOILER ROOM

The "DEWY" version boilers can be installed in any domestic environment without any location restrictions or comburent air requirements.

2.2 CONNECTING UP SYSTEM

Before proceeding to connect up the boiler, you are recommended to make the air circulating in the piping in order to eliminate any foreign bodies that might be

detrimental to the operating efficiency of the appliance. When making the hydraulic connections, make sure that the dimensions indicated in fig. 1 are respected.

The discharge pipe of the safety valve must be connected to a collector funnel for channelling away any discharge if the safety valve goes into action.

The gas connection must be made using seamless steel pipe (Mannesmann type), galvanized and with threaded joints provided with gaskets, excluding three-piece connections, except for initial and end connections. Where the piping has to pass through walls, a suitable insulating sleeve must be provided. When sizing gas piping, from the meter to the boiler, take into account both the volume flow rates (consumption) in m³/h and the relative density of the gas in question.

The sections of the piping making up the system must be such as to guarantee a

supply of gas sufficient to cover the maximum demand, limiting pressure loss between the gas meter and any apparatus being used to not greater than 1.0 mbar for family II gases (natural gas).

An adhesive data plate is stuck inside the front panel; it contains all the technical data identifying the boiler and the type of gas for which the boiler is arranged.

2.2.1 Connection of condensation water trap

The drip board and its water trap must be connected to a civil drain through a pipe with a slope of at least 5 mm per metre to ensure drainage of condensation water.

The plastic pipes normally used for civil drains are the only type of pipe which is appropriate for conveying condensation to the building's sewer pipes.

2.2.2 Filter on the gas pipe

The gas valve is supplied ex factory with an inlet filter, which, however, is not adequate to entrap all the impurities in the gas or in gas main pipes. To prevent malfunctioning of the valve, or in certain cases even to cut out the safety device with which the valve is equipped, install an adequate filter on the gas pipe.

2.3 CHARACTERISTICS OF FEEDWATER

To prevent lime scale and damage to the tap water exchanger, the water supplied should have a hardness of no more than 20°F. In all cases the water used should be tested and adequate treatment devices should be installed. To prevent lime scale or deposits on the primary exchanger, the water used to supply the heating circuit should must be treated in accordance with UNI-CTI 8065 standards.

It is absolutely essential that the water is to be treated in the following cases:

- very extensive system (with high contents of feedwater);
- frequent addition of makeup water into the system;
- should it be necessary to empty the system either partially or totally.

2.4 SYSTEM FILLING

Filling of the boiler and the system is done by the charge cock (2 fig. 3 - 4 fig. 3/a). The charge pressure, with the system cold, must be **1 bar**. Filling must be done slowly so as to allow any air bubbles to be bled off through the air valves. **Once the filling has been completed, close the filling tap.**

2.5 COAXIAL DUCT Ø 60/100

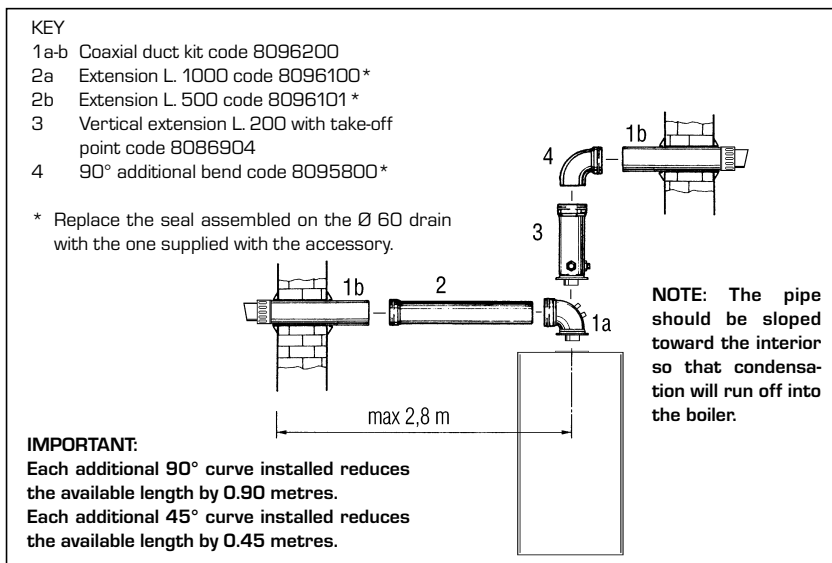
The air inlet-smoke outlet assembly, code 8096200, is included in the standard supply of the appliance complete with mounting instructions.

2.5.1 Coaxial duct accessories

The accessories to be used for this type of installation and some of the connecting systems that may be adopted are illustrated in fig. 4. **With the pipe bend included in the kit, the maximum length of the piping should not exceed 2.8 meter. Each additional 90° curve installed reduces the available length by 0.90 metres.** When the vertical extension code 8086904 is used, the terminal part of the pipe must always come out horizontally.

2.5.2 Positioning the outlet terminals

The outlet terminals for forced-draught



appliances may be located in the external perimeter walls of the building.

To provide some indications of possible solu-

tions, **Table 1** gives the minimum distances to be observed, with reference to the type of building shown in fig. 5.

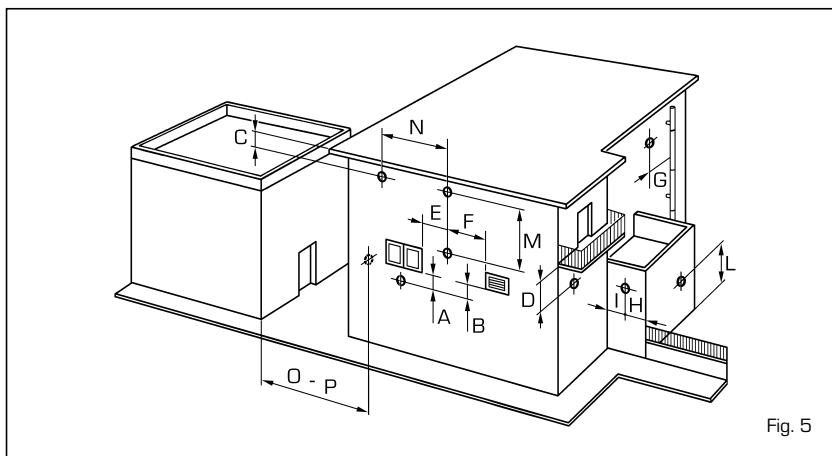


TABLE 1

Siting of terminal	Appliances from 7 to 35 kW (distances in mm)
A - below openable window	600
B - below ventilation opening	600
C - below eaves	300
D - below balcony (1)	300
E - from adjacent window	400
F - from adjacent ventilation opening	600
G - from horizontal or vertical soil or drain pipes (2)	300
H - from corner of building	300
I - from recess in building	300
L - from ground level or other treadable surface	2500
M - between two terminals set vertically	1500
N - between two terminals set horizontally	1000
O - from a surface facing without openings or terminals	2000
P - as above but with openings and terminals	3000

- 1) Terminals below a practicable balcony must be located in such a way that the total path of the smoke from its outlet point from the terminal to its outlet point from the external perimeter of the balcony, including the height of possible railings, is not less than 2000 mm.
- 2) When siting terminals, where materials that may be subject to the action of the combustion products are present in the vicinity, e.g., eaves, gutters and downspouts painted or made of plastic material, projecting timberwork, etc., distances of not less than 1500 mm must be adopted, unless adequate shielding is provided to guard these materials.

2.5.3 Coaxial duct outlet on the roof

The accessories to be used for this type of installation and some of the connecting systems that may be adopted are illustrated in fig. 7.

It is possible to insert up to a maximum of three extensions and reach a maximum rectilinear distance of 3.7 meter.

Should it be necessary to make two changes of direction in the pipe development, the maximum length of the pipe must not exceed 2 meter.

2.6 SEPARATE PIPES ø 80

A special kit may be used to separate the flue gas outlet from the fresh air intake. The intake may be installed to the right or left of the flue gas outlet. Both ducts may be oriented in any direction. Refer to fig. 8 for positioning.

The maximum overall length of the intake and exhaust ducts depends on the head losses of the single fittings installed (excluding the doublers) and must not be greater than 15,5 mm H₂O.

For head losses in the fittings, refer to Table 2.

2.6.1 Separate pipe accessories

Kit code 8089903 is supplied for this purpose (fig. 9). The sectored diaphragm is to be used according to the maximum head loss allowed in both pipes, as given in fig. 10.

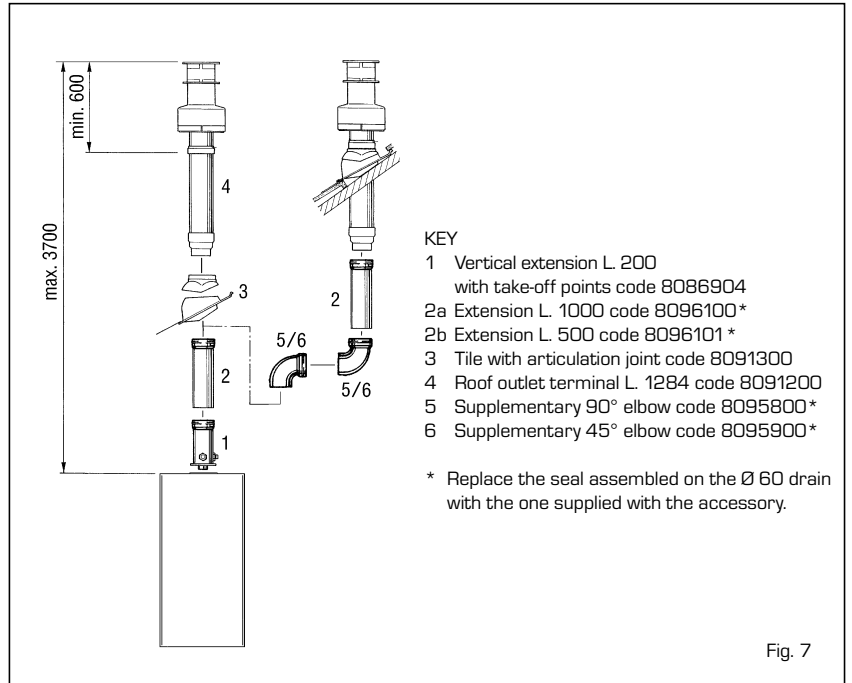


Fig. 7

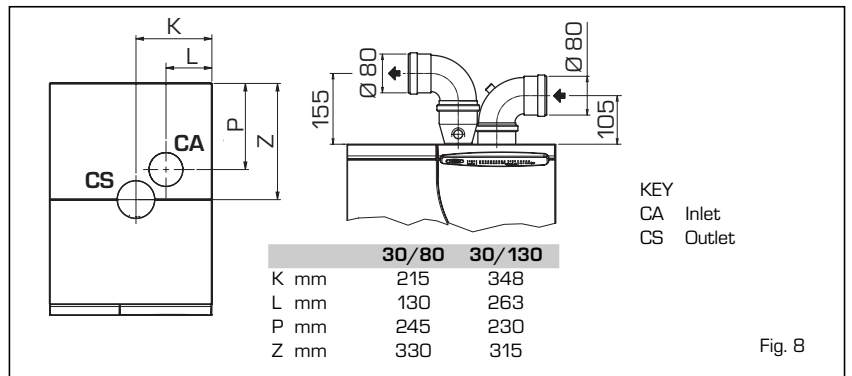


Fig. 8

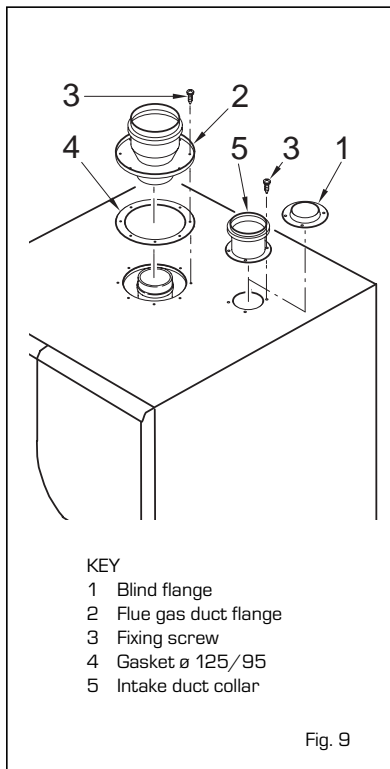


Fig. 9

TABLE 2

Accessories ø 80	Total head loss (mm H ₂ O)		
	DEWY		
	Inlet	Outlet	Roof outlet
90° elbow MF	0,30	0,50	-
45° elbow MF	0,20	0,40	-
Extension L. 1000 (horizontal)	0,20	0,40	-
Extension L. 1000 (vertical)	0,30	0,30	-
Outlet terminal	-	0,40	-
Inlet terminal	0,10	-	-
Doubler fitting	0,30	-	-
Roof outlet terminal L.1390	-	-	0,60

Example of allowable installation calculation in that the sum of the head losses of the single fittings is less than 15,5 mm H₂O:

	Inlet	Outlet	
7 m horizontal pipe ø 80 x 0,20	1,40	-	
7 m horizontal pipe ø 80 x 0,30	-	2,10	
n° 2 90° elbows ø 80 x 0,30	0,60	-	
n° 2 90° elbows ø 80 x 0,40	-	0,80	
n° 1 terminal ø 80	0,10	0,30	
Total head loss	2,10	+ 3,20	= 5,3 mm H₂O

2.6.2 Connection with existing flues

The \varnothing 80 flue gas pipe may be connected to an existing flue. When the "DEWY" boiler is running at a low temperature, a regular flue may be used under the following conditions:

- No other boiler must be using the flue.
- The flue interior must be shielded from direct contact with condensation from the boiler.

The products of combustion must be conveyed through a flexible or rigid plastic pipe around 100 to 150 mm in diameter, and condensation must be siphoned

off at the foot of the pipe. The usable height of the water trap must be at least 150 mm.

2.6.3 Separate-pipes roof outlet

The accessories to be used for this type of installation and some of the connecting systems that may be adopted are illustrated in fig. 12.

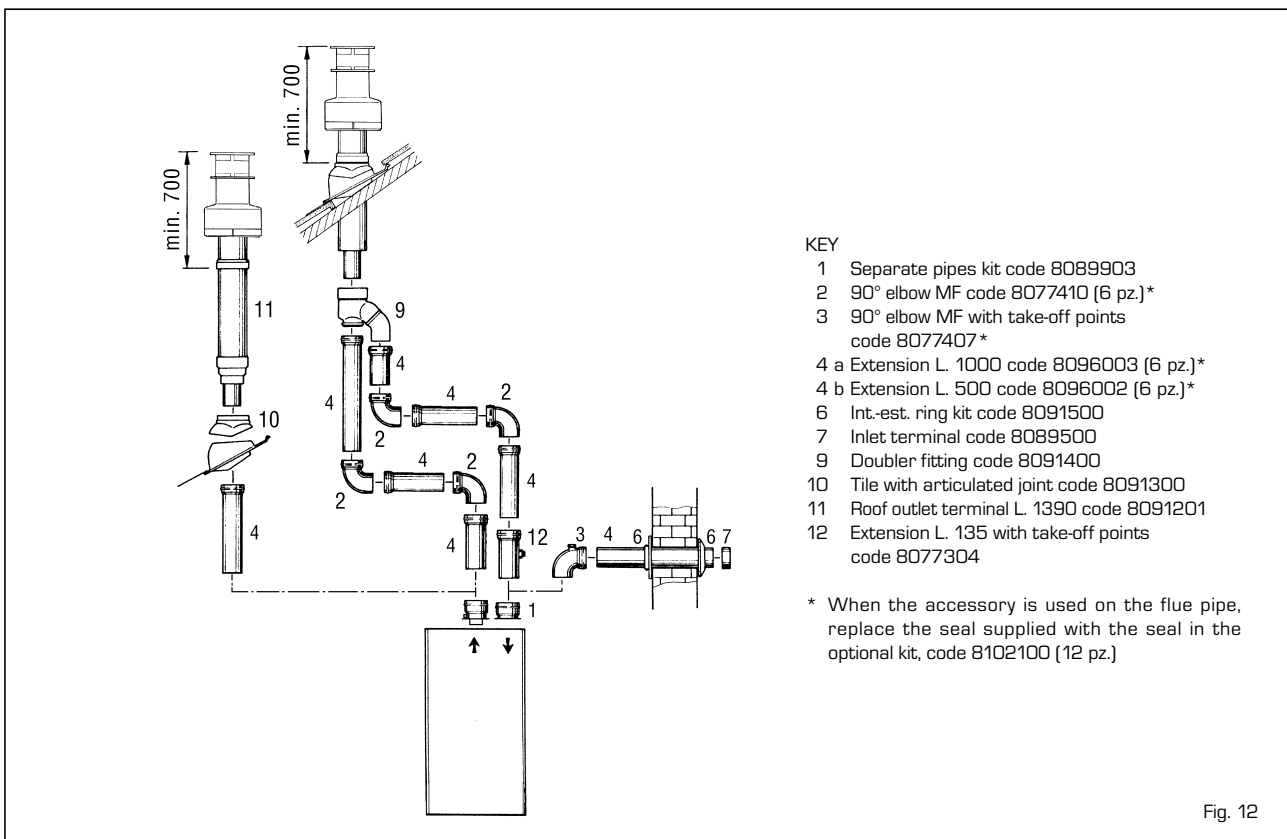
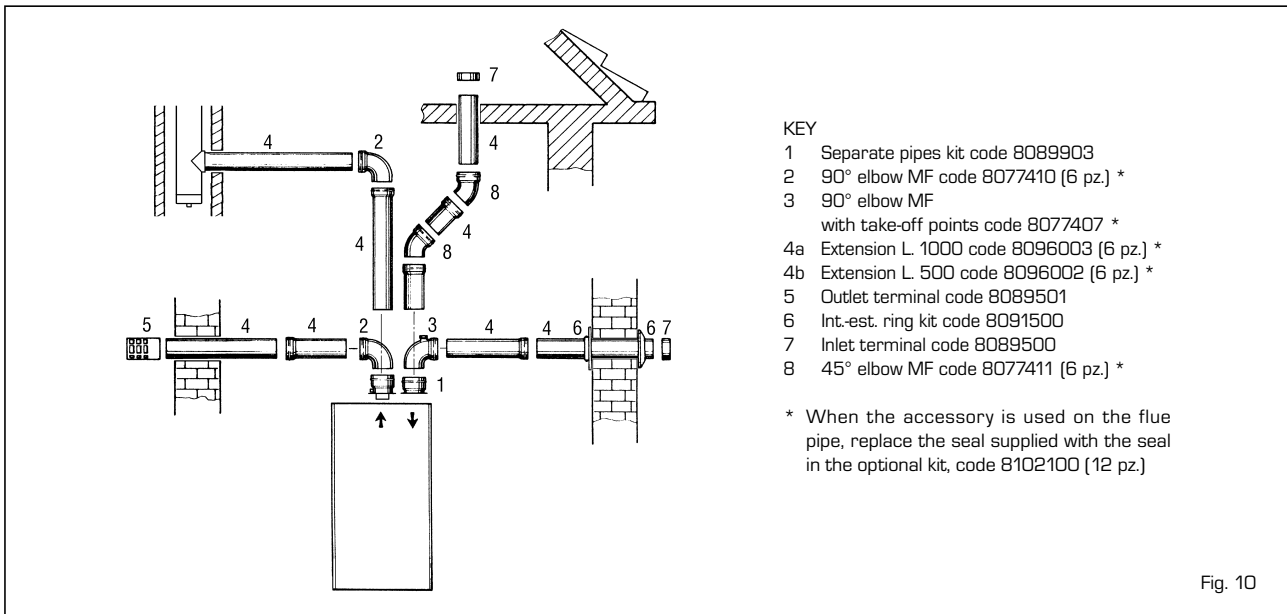
There is the possibility of doubling the air-intake and smoke-outlet pipes and then bringing them back together again so as to

obtain a concentric discharge by using the doubler fitting (9 fig. 12).

In these cases, when assembling, recover the silicone gasket used on the terminal adapter (5 fig. 11), which is to be replaced by the doubler; and insert it into the seat made in the doubler.

For this type of discharge the sum of the maximum rectilinear development allowed for the pipes must not exceed 15,5 mm H₂O.

When calculating the lengths of pipe, take into account the parameters given in the **Table 2**.



2.7 ø 60 PIPING SYSTEM

A special kit allows to separate smoke outlet and air intake pipes.

The ø 80 intake pipe may be installed to the right or left of the ø 60 smoke pipe, indifferently. Both pipes may be oriented in any direction. Refer to fig. 9 for positioning of boiler connections.

Maximum total length, obtained by adding together the lengths of intake and flue pipes, is determined by the load loss of individual accessories inserted and must be no more than 15.5 mm H₂O.

Refer to **Table 2** for head loss of ø 80 intake pipe accessories; refer to **Table 2/a** for head loss of ø 60 exhaust pipe accessories.

TABLE 2/a

Accessories ø 60	Total head loss (mm H ₂ O)
90° elbow MF	1,3
Extension L. 1000	0,9
Outlet terminal	0,8
"T" connection	1,6

2.7.1 Accessories completing installation

The complete range of accessories required for this type of installation is shown in fig. 12/a.

WARNING:

The smoke safety stat kit code 8089815 is required for protection if there is a ø 60 exhaust pipe. Refer to the wiring diagram in fig. 14.

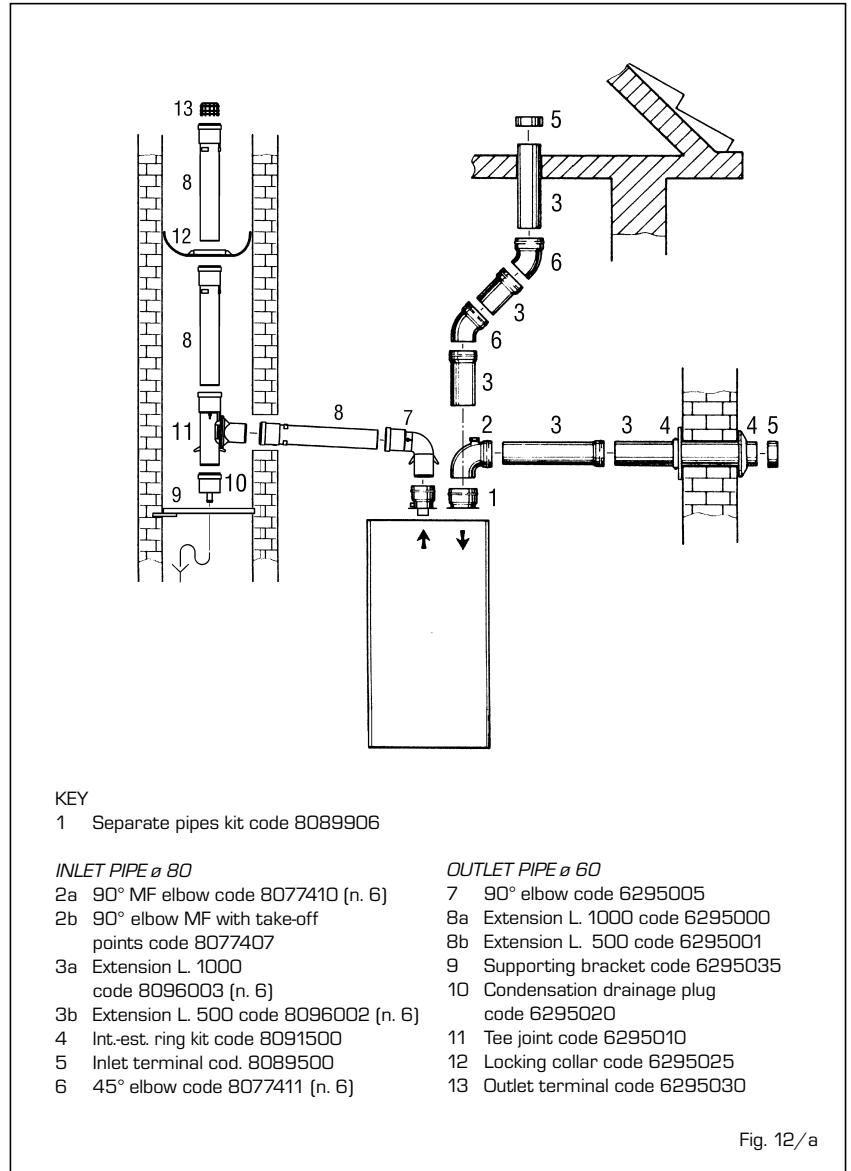
2.8 ELECTRICAL CONNECTION

The boiler is supplied with an electric cable. Should this require replacement, it must be purchased exclusively from SIME. The electric power supply to the boiler must be 230V - 50Hz single-phase through a fused main switch, with at least 3 mm spacing between contacts. Respect the L and N polarities and the earth connection.

NOTE: Device must be connected to an efficient earthing system. SIME declines all responsibility for injury or damage to persons, animals or things, resulting from the failure to provide for proper earthing of the appliance. Always turn off the power supply before doing any work on the electrical panel.

2.8.1 Room stat connection (fig. 13 pos. A)

To gain access to the electronic board connector (3), remove the control panel cover and connect the room stat to the terminals TA (5-6) after having removed the jumper. The thermostat or timer-thermostat,



recommended for better room temperature control, must be class II as specified by standard EN 60730.1 (clean contact).

WARNING:

Applying mains voltage to the terminals of connector (3) will irreparably damage the control board. Make sure that any connections to be made are not carrying mains voltage.

2.8.2 "Logica Remote Control" connection (fig. 13 pos. B)

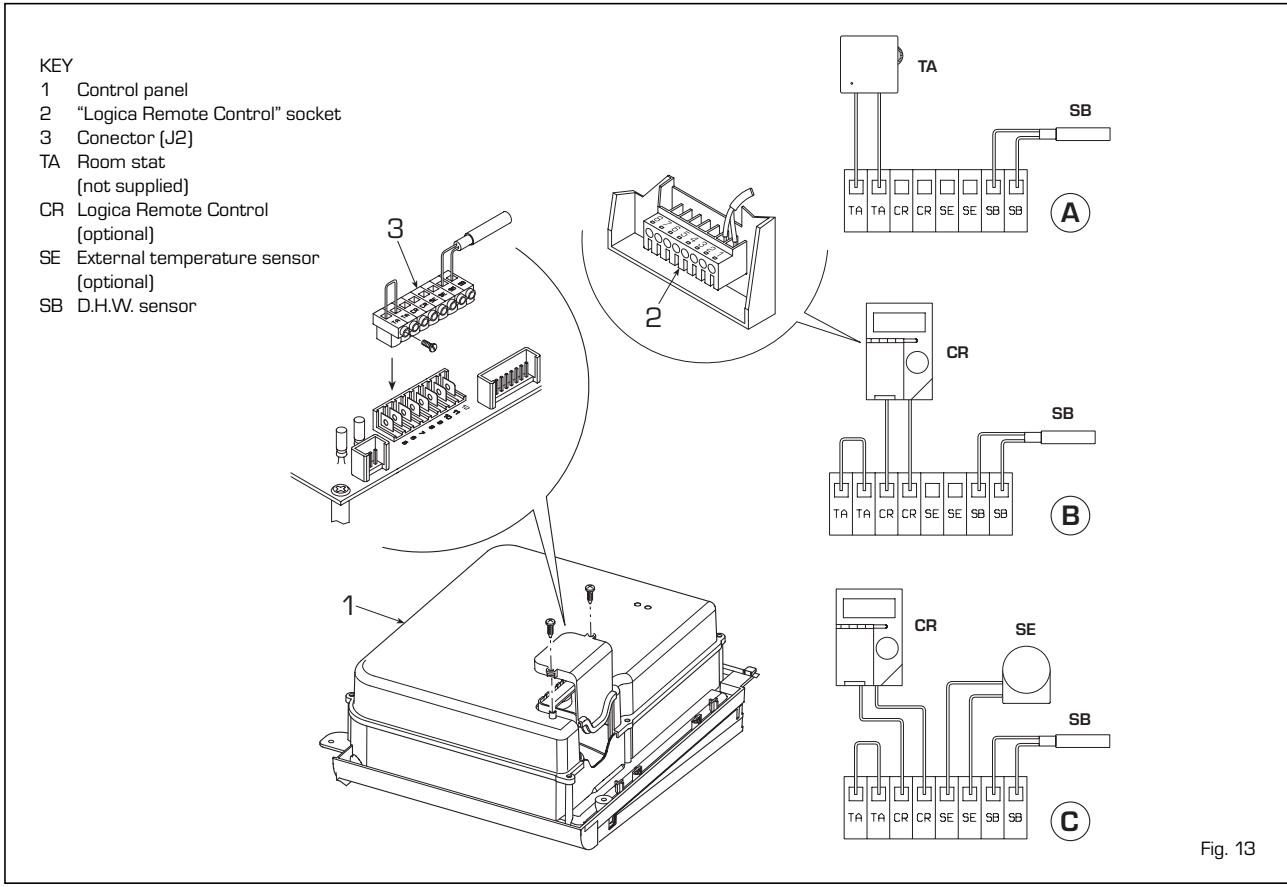
The electrical plant must comply with local standards and all cables must comply with low safety voltage requirements of EN 60730. For lengths up to 25 m, use cables of section 0.25 mm², for longer lengths up to 50 m use cables of section 0.5 mm². First of all, assemble and wire the socket (2), then insert the equipment which will start-up as soon as it receives current. To gain access to connector (3) remove the

control panel cover and connect the climate regulator to terminals CR (6-7).

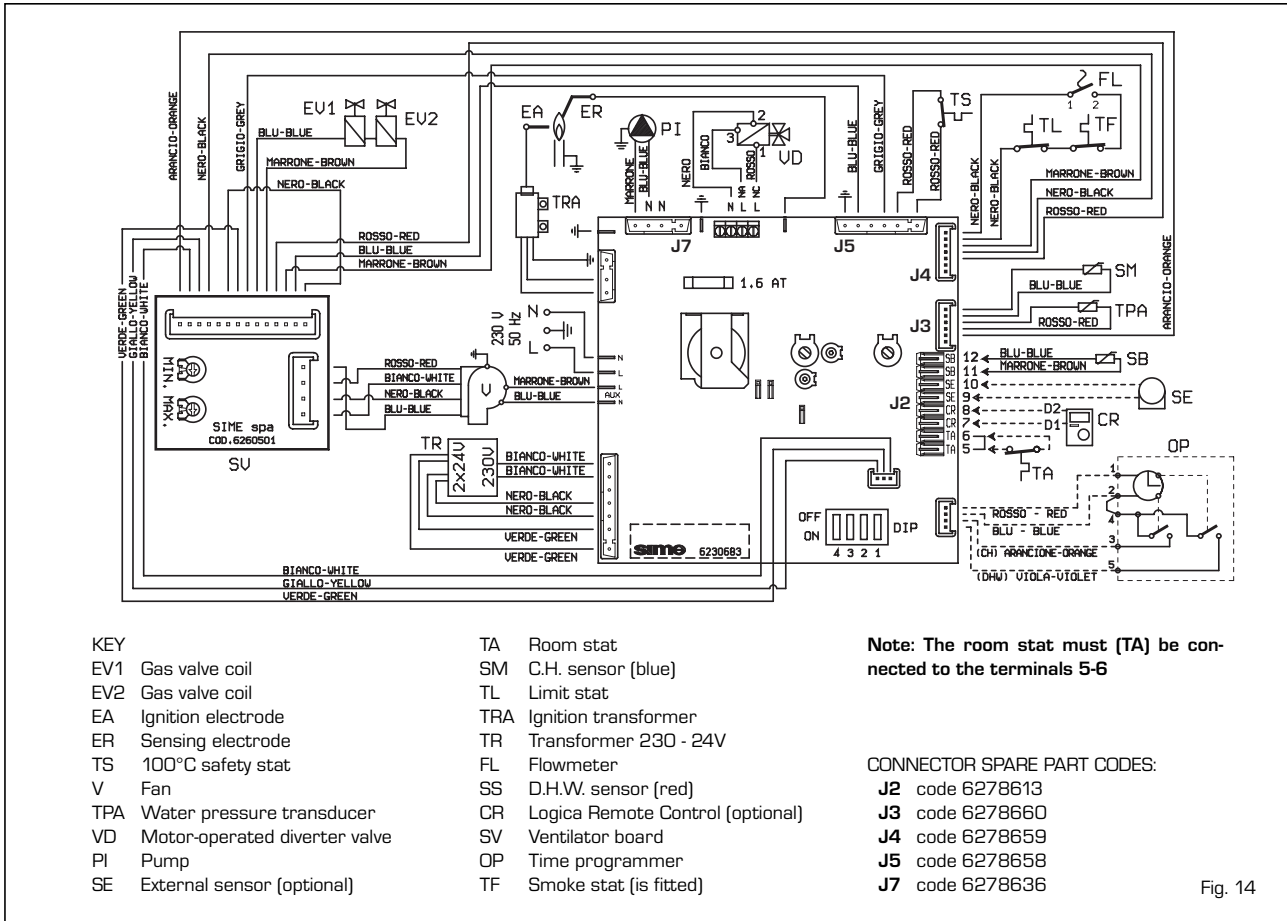
WARNING: External voltage must not be connected to terminals 1-2-3-4 of the "Logica Remote Control". A telephone remote switch with a zero potential contact or a window contact can be connected to terminals 3-4. Equipment for the checking of civil plants via a telephone line includes the model TEL 30.4 LANDIS & STAEEFA.

2.8.3 External temperature sensor connection (fig. 13 pos. C)

The cables must comply with low safety voltage requirements of EN 60730. For lengths up to 25 m, use cables of section 0.25 mm², for longer lengths up to 50 m use cables of section 0.5 mm². To gain access to boiler connector (3) remove the control panel cover and connect the external temperature sensor to terminals SE (8-9).



2.8.4 Wiring diagram "30/80" model



2.8.5 Wiring diagram "30/130" model

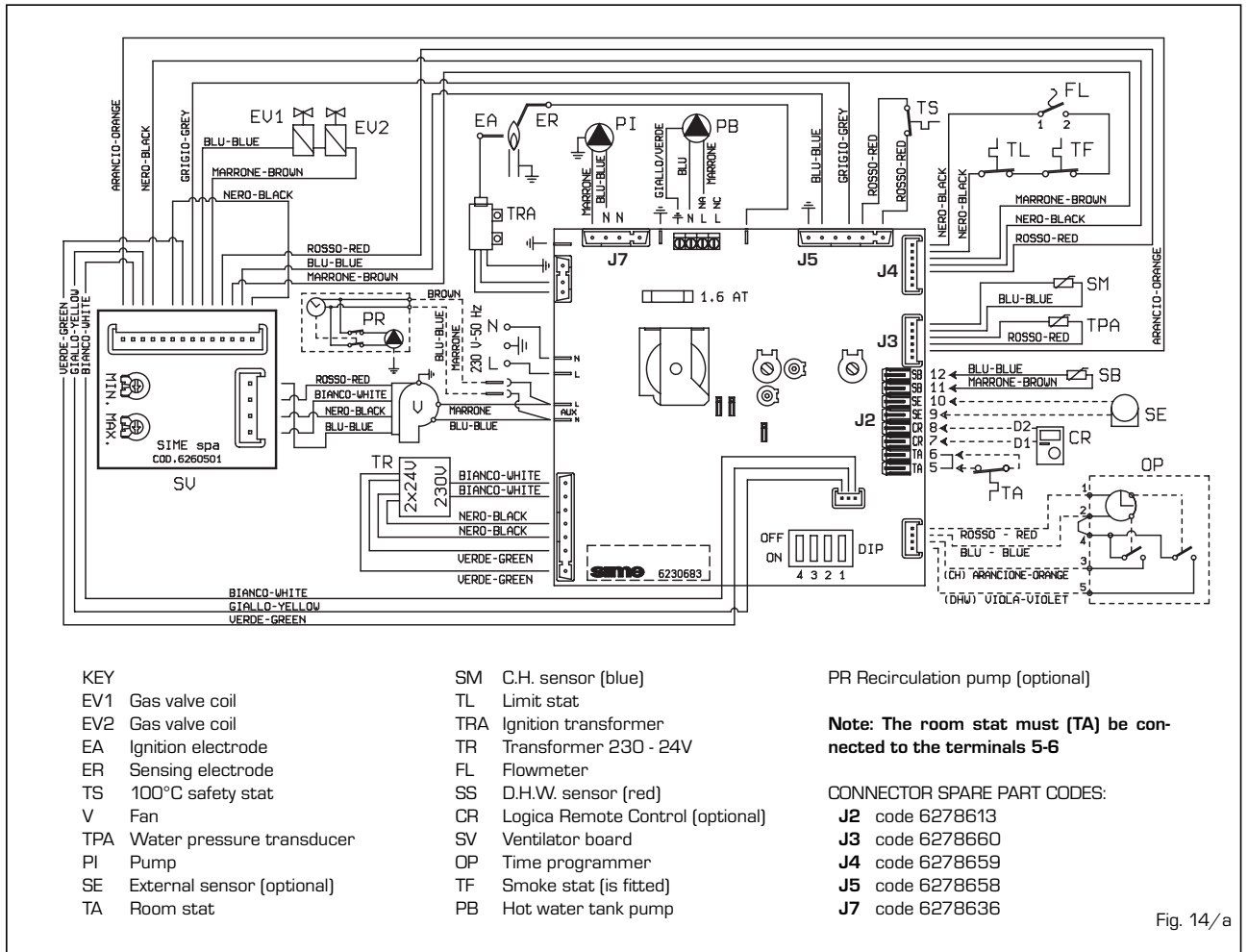


Fig. 14/a

2.8.6 "30/130" wiring diagram with zone pump kit (code 8100700) and third zone pump kit (8100710)

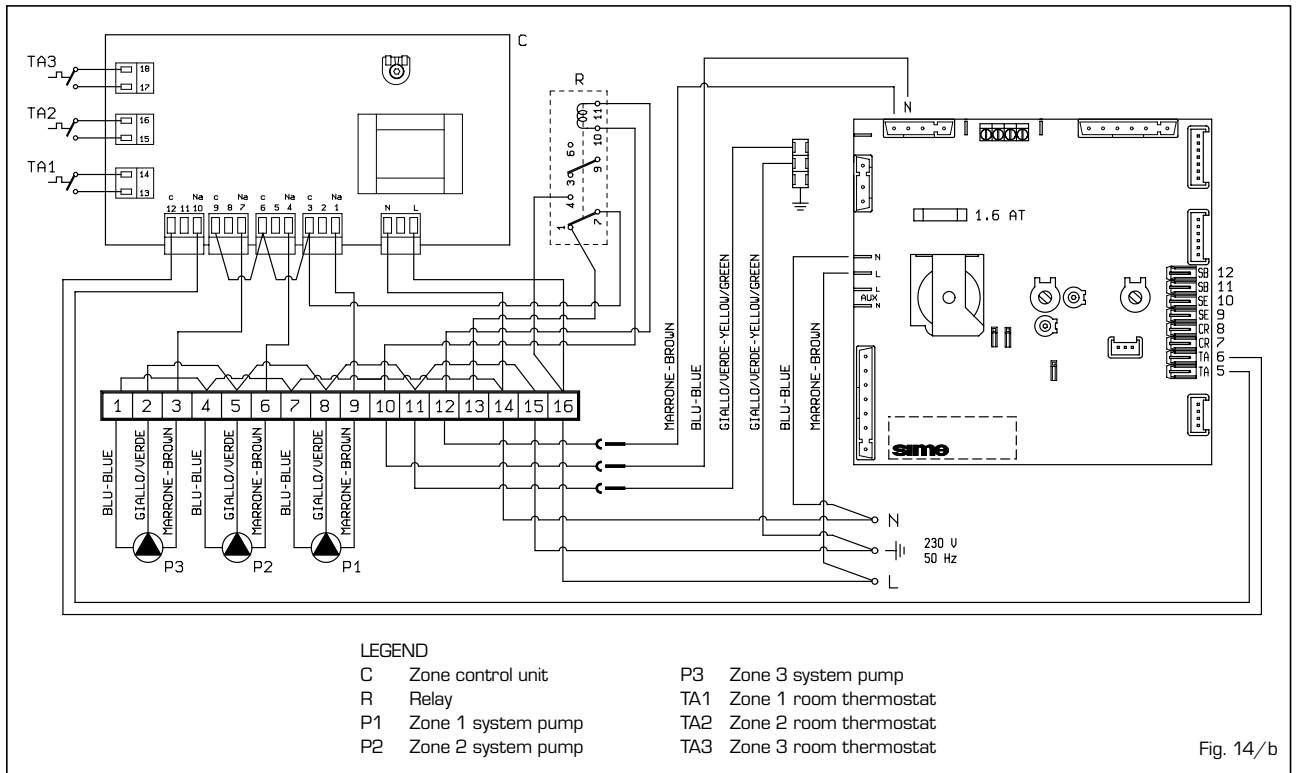
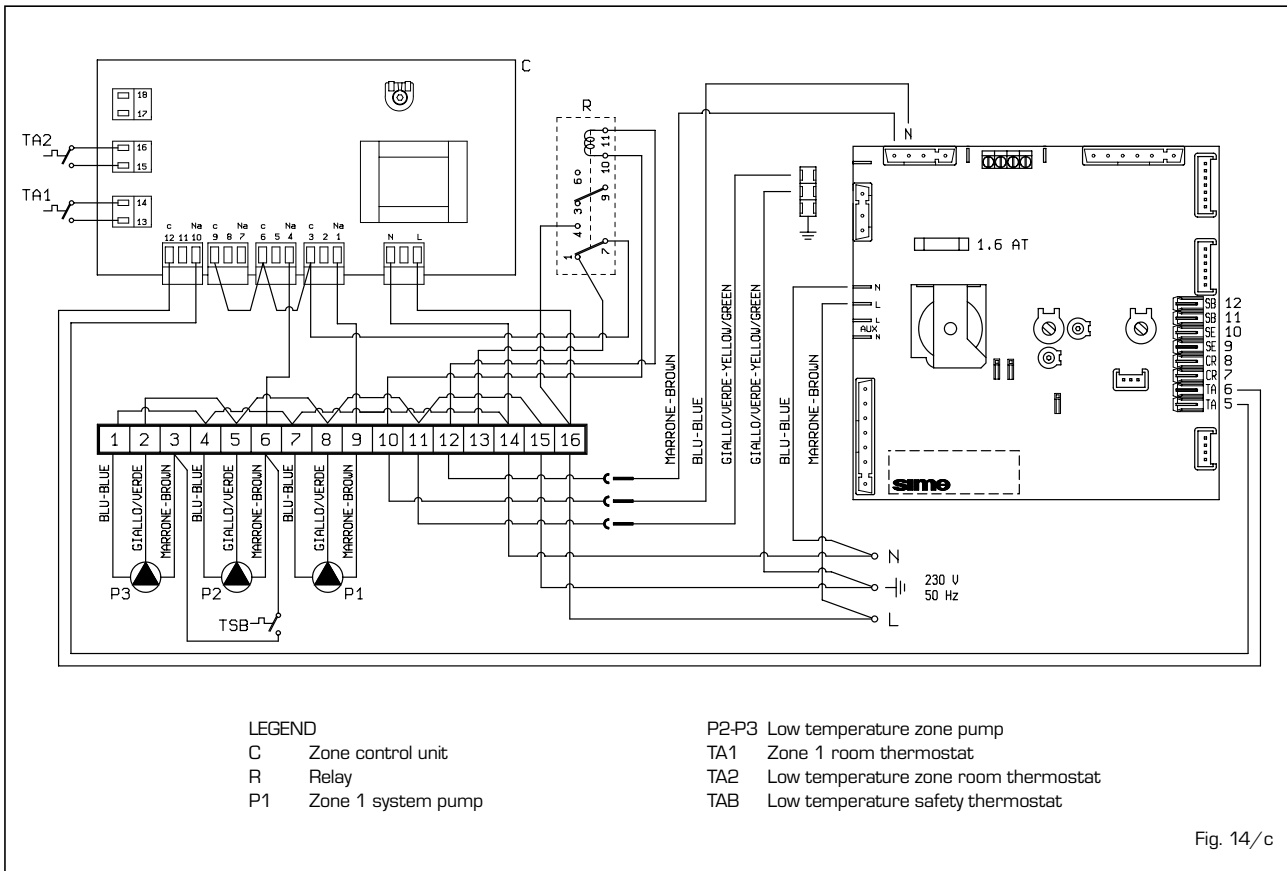


Fig. 14/b

2.8.7 "30/130" wiring diagram with low temperature kit code 8100760



2.9 LOGICA REMOTE CONTROL

All the boiler's functions can be managed by an optional digital multifunctional device code 8092204 for the remote of the boiler itself and for regulating room climatic conditions with an operational reserve of 12 hours.

The heating circuit is controlled by the room temperature sensor built-in the equipment or by the atmospheric conditions, with or without environmental inflow, if the boiler is connected to an external sensor:

Characteristics:

- Ergonomic control unit divided according to function (control levels)).
- Clear division of basic functions:
 - operating regime, correction of set value and presence button are directly accessible;
 - Different real current values are accessible through the "info" button;
 - other functions can be programmed after the cover has been opened;
 - special service level with protected access;
- Each setting or modification is displayed and confirmed.
- Time setting (special line for changing BST/CET).
- Heating programme with max. 3 heating periods per day, individually selectable.
- Copy function for easy transfer of heating programme to the next or pre-

vious day.

- Holiday programme: the programme is interrupted for the holiday period and automatically restarted on returning home.
- Option to return the heating program to default values.
- Programming lock (child safety).

Functions:

- Delivery temperature control guided by the atmospheric conditions, taking into account the dynamics of the building.
- Delivery temperature control guided by atmospheric conditions with influence of ambient temperature.
- Ambient temperature control only.
- Adjustable influence of ambient temperature shift .
- Switch-on and switch-off optimisation.
- Rapid lowering.
- ECO functions (daily heating limiter, automatic summer/winter switch-over).
- Controllable maximum delivery temperature limit (specifically for floor plants).
- Limitation of increase in pre-set delivery temperature.
- Anti-freeze protection for buildings.
- Hourly programming of the tank unit temperature on two levels: comfort and reduced.
- Domestic hot water control with nominal value requirement and enable.
- Connection to room sensor or switching of operating regime through the telephone system with external contact or

through a window contact.

- Anti-bacterial.

2.9.1 Installation

The unit must be installed in the main living room. For installation, follow the assembly instructions inserted in the package.

At this point, with the selector knob on (E), the installer can adjust the basic parameters settings according to the individual needs (point 2.8.2).

If there is a thermostatic radiator valve fitted, this must be set to maximum.

2.9.2 Installation settings

The settings for the basic operating parameters for individual needs are reported in the instruction leaflet supplied with the "Logica Remote Control" and in the section reserved for the user in this manual.

For further adjustments which can be carried out by the installer, the "Logica Remote Control" offers a level of service and parameterising which can only be accessed through a special combination of buttons.

To activate this level of service or parameterising press buttons ▲ and ▼ least 5 seconds. This will activate the parameterising level. Then use the same arrow buttons to select the individual input lines and adjust the values with - or +.

IT

ES

PT

GB







HEATING CIRCUIT SETTINGS

Antifreeze protection "Pre-set ambient temperature value"	51	Heating takes place up to this pre-set value if the plant is activated in standby (e.g. holidays). In this way, the building antifreeze function is active, preventing an excessive lowering of the ambient.
Summer/Winter switch-over temperature	52	This parameter regulates the temperature of the automatic summer/winter switch-over.
Type of control: 0 = with ambient influence 1 = without ambient influence	53	This parameter de-activates the ambient influence and as a result all the optimisations and adaptations. If a valid external temperature is not transmitted, the controller switches to the pure ambient control guide variable.
Influence of ambient temperature	54	If the ambient controller is used only as a remote control (placed in the reference room and without an external sensor connected), the value must be set at 0 (zero). If the change in ambient temperature from the pre-set value remains high during the entire day, the influence must be increased. If the ambient temperature is around the pre-set value (control oscillation), the influence must be reduced. Note: If the ambient temperature influence constant is set at 0, the adaptation of the heating curve is deactivated. In this case, parameter 57 will have no effect at all.
Maximum limit of delivery temperature	55	The delivery temperature is limited to the maximum set value.
Variation of the maximum speed of the delivery temperature	56	The increase per minute of the prescribed delivery temperature value sent in °C is limited to the imposed value.
Activation of adaptation	57	With the activation of the adaptation, the pre-set value transmitted to the boiler regulator is adapted to the effective heat need. The adaptation functions with both the atmospheric guide with ambient influence and with pure ambient control. If the "Logica Remote Control" is set as a remote control only, the adaptation must be is deactivated.
Optimisation of switch-on time	58	If the switch-on time optimisation is active, the "Logica Remote Control" modifies the heating gradient until it finds the optimum heating point 0 = off 1 = on
Heating gradient	59	The "Logica Remote Control" selects the switch-on time such that the set value has more or less been reached at the start of the usage time. The more severe the night-time cooling, the earlier the heating time starts. Example: Current ambient temperature 18.5°C Nominal ambient temperature 20°C Heating gradient 30 min/K Presetting of switch-on time: 1.5 K x 30 min/K = 45 minutes 00 means that the switch-o time has not been pre-set (function disabled).
Presetting switch-off time (00 = off)	60	If the switch-off time optimisation is active (value > 0), the "Logica Remote Control" modifies the pre-set time until it finds the optimum switch-off time..

DOMESTIC HOT WATER SETTINGS

Reduced domestic hot water pre-set value	61	The reduced pre-set value of the temperature of the domestic hot water allow the required water temperature to be obtained outside the programmed usage times (daily programme 8).
Domestic hot water load	62	<p>0 = 24 hours/ day - Hot water is always available at the temperature set with user parameter n°3.</p> <p>1 = standard - Hot water according to the daily heating programme. In the comfort areas of heating the temperature of the boiler unit is regulated to the value set with user parameter n° 3. In the reduced areas of heating the temperature of the boiler unit is regulated to the value set with parameter n° 61 of the service level.</p> <p>2 = service disconnected</p> <p>3 = second daily programme (8) - Every day of the week the temperature of the hot water is set according to programme 8. In this case there is a single programming for all the days of the week and three time zones are available. In the time spans set the temperature of the boiler unit is regulated according to that set in parameter n°3. In the remaining hours the boiler unit is controlled to the temperature set with parameter n° 61 the of service level.</p>

SERVICE VALUES

Final user level 2 programming block	63	<p>This block (1) can be activated to display all the parameters without modifying them. Pressing buttons  or  displays "OFF".</p> <p>WARNING: The activation block can be deactivated temporarily by pressing buttons  and  simultaneously; a confirmation sign appears on the display. At this point press simultaneously the buttons  and  for at least 5 seconds. To permanently remove the activation block, set parameter 63 on 0.</p>
Input function terminal 3-4	64	<p>The freely programmable input (terminals 3-4) allows three different functions to be activated. The parameter has the following significance:</p> <p>1 = If an external sensor is connected, the display will show the temperature of the external sensor (_ _ = no sensor connected, function disabled).</p> <p>2 = With an external contact, it is possible to switch-over to "reduced pre-set value of the ambient temperature".</p> <p>3 = With an external contact, it is possible to switch-over to "reduced pre-set value of the antifreeze ambient temperature" (short circuit 0 0 0 or interruption _ _ _). The display shows the current status of the external contact.</p>
Modo de acção do contacto externo	65	<p>Se a entrada (bornes 3 e 4 do ropadé) está ligada a um contacto externo de potencial zero (parâmetro 64 = 2 ou 3), pode ser determinado o modo de acção do contacto (tele-interruptor do telefone ou contacto janela). O modo de acção especifica o estado de contacto no qual a função desejada está activa.</p> <p>Display: modo de acção fechado (curto-circuito) 0 0 0 modo de acção aberto (interrupção) _ _ _</p>
Influxo das sondas ambiente + externa	66	<p>Determina o coeficiente de mistura entre a sonda ambiente interna e externa, quando o parâmetro 64 = 1.</p> <p>0 % = activa só a sonda interna (0% externa - 100% interna) 50 % = valor médio da sonda externa + interna 100 % = activa só a sonda externa</p> <p>Para a regulação ambiente e a visualização, é utilizada a mistura programada. Se a sonda externa apresenta um curto-circuito ou uma interrupção prossegue-se com a sonda interna.</p>
Anti-bacterial function	69	<p>This function allows the hot water to be brought to a high temperature once a week in order to eliminate eventual pathogenic agents. It is active every Monday for a maximum duration of 2.5 hours at a delivery temperature of 65°C.</p> <p>0 = not active 1 = active</p>

2.9.3 Gradient of the characteristic heating curve

The gradient of the characteristic heating curve is imposed on the current value "15" of Logica. Increasing the gradient as shown in the drawing of fig. 15, the delivery temperature increases in correspondence to the outside temperature.

2.10 EXTERNAL TEMPERATURE SENSOR

The "Logica Remote Control" can be connected to an external temperature sensor available as an optional extra (code 8094100).

This configuration ensures and maintains the required temperature constant in the room.

The ambient temperature is, in fact, indicated and evaluated as the calculated mean of the value measured inside and outside the dwelling.

For installation, follow the assembly instructions inserted in the package.

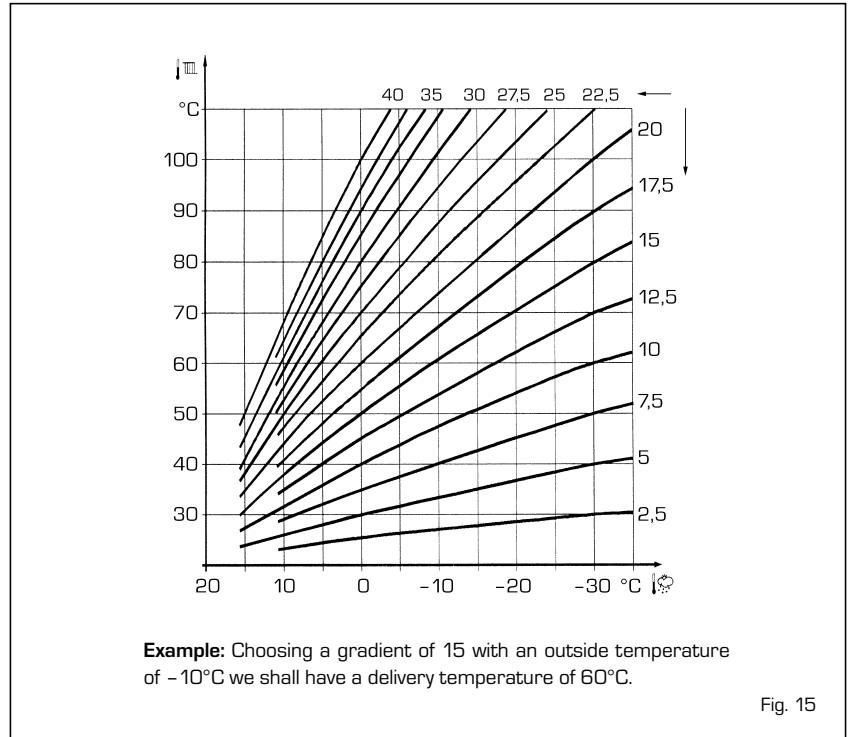


Fig. 15

3 CHARACTERISTICS

3.1 ELECTRONIC BOARD

The electronic boards are manufactured in compliance with the EEC 73/23 low-voltage directives.

They are supplied with 230V and, through a built-in transformer, send a voltage of 24V to the following components: gas valve, safety stat, C.H. and D.H.W. sensor; external temperature sensor (optional), modulator; micro divertor valve, flow switch safety valve, water pressure transducer; room stat or "Logica Remote Control".

An automatic and continuous modulation system enables the boiler to adjust the heat output to the various system requirements or the User's needs.

The electronic components are guaranteed against a temperature range of 0 to $+60^{\circ}\text{C}$.

3.1.1 Fault finding

The indicator leds signalling irregular and/or incorrect operation of the equipment are indicated in fig. 16.

3.1.2 Devices

The electronic board is equipped with the following devices:

- "POT. RISC." trimmer (10 fig. 17)
Sets the maximum heating power value. To increase the value turn the trimmer clockwise; to reduce the value turn the trimmer anticlockwise.
- "POT. ACC." trimmer (6 fig. 17)
Trimmer to vary the pressure level upon

ignition (STEP), of the gas valve.

According to the type of gas for which the boiler is equipped, the trimmer must be regulated so as to obtain a pressure of approx. 3 mbar at the burner for methane gas and 7 mbar for propane gas (G31).

To increase pressure, turn the trimmer clockwise; to reduce pressure, turn the trimmer counterclockwise.

The slow ignition pressure level can be set during the first 3 seconds following burner ignition.

After setting the pressure level upon ignition (STEP) according to the type of gas, check that the pressure for heating is still at the value previously set.

- "MET-GPL" connector (7 fig. 17)
With the connector **switched-off**, the

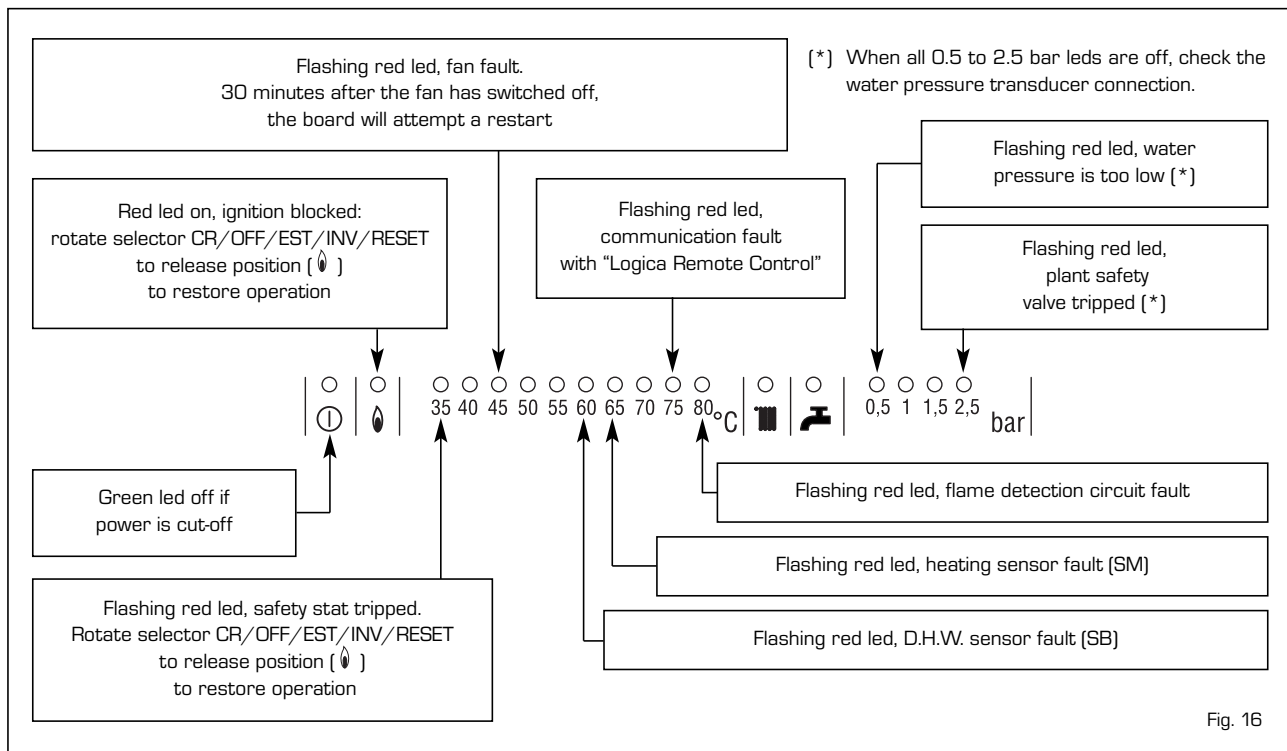


Fig. 16

boiler is set-up for NATURAL GAS; with the connector **switched-on**, the boiler is ready for LPG.

- "ANN. RIT." connector (5 fig. 17)

In the heating phase, the electronic board is programmed to include a burner technical delay interval of approx. 90 seconds, which occurs both at system cold starting and at subsequent re-ignitions. The aim is to overcome the problem of repeated ignitions and turning off with very short time intervals between. This could

occur in particular in systems presenting high head losses.

At each restart after the period of slow ignition, the boiler will set itself for about 1 minute at the minimum modulation pressure, and will then move to the heating pressure value set.

When the connecting link is inserted, both the programmed technical pause and the period of operation at minimum pressure in the startup phase will be cancelled. In this case, the times elapsing between turning off and subsequent re-

ignition will depend on a temperature difference of 5°C detected by the SM sensor (heating flow sensor).

- DIP SWITCH (13 fig. 17)

Check that the cordless plugs are inserted in the position indicated:

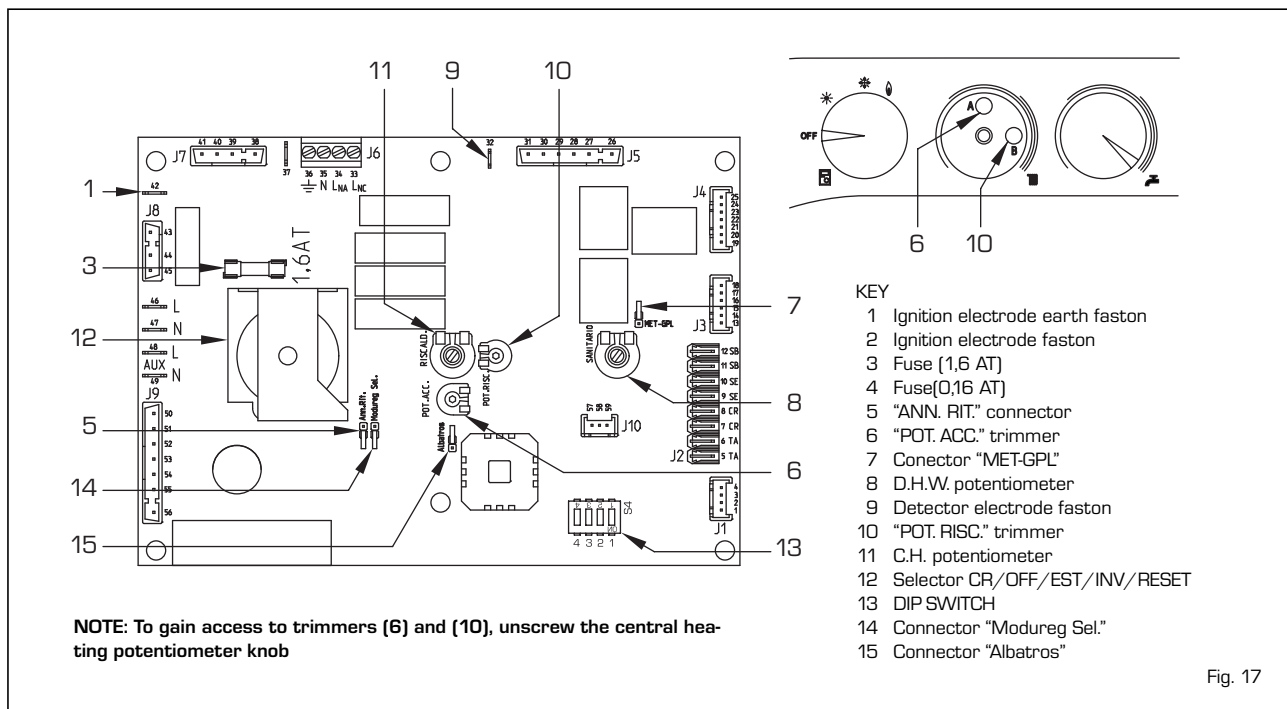
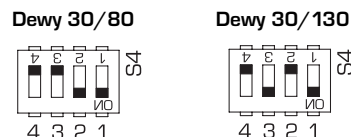


Fig. 17

- **"Modureg Sel." connector** (14 fig. 17)
With the bridge disconnected the boiler is predisposed to function with the SIT gas valve, and with the bridge connected it is predisposed to function with the HONEYWELL gas valve.
- **"Albatros" connector** (15 fig. 17)
The bridge must always be disconnected. It is connected only when multiple boilers are installed in a sequence/cascade.

ATTENTION: It is essential that the operations described above be carried out by authorized technical staff.

3.2 TEMPERATURE SENSOR AND WATER PRESSURE TRANSDUCER

Tables 3 - 3/a show the resistance values (Ω) that are obtained on the sensor as the temperature varies and the transducer values obtained as the pressure varies.

When sensor (SM) is interrupted, neither of the boiler's heating services will function. With D.H.W. sensor (SB) interrupted, the boiler will only work in heating mode.

TABLE 3 (Sensors)

Temperature ($^{\circ}\text{C}$)	Resistance (Ω)
20	12.090
30	8.313
40	5.828
50	4.161
60	3.021
70	2.229
80	1.669

TABLE 3/a (Transducer)

Pressure (bar)	Resistance (Ω)	
	min	max
0	297	320
0,5	260	269
1	222	228
1,5	195	200
2	167	173
2,5	137	143
3	108	113
3,5	90	94

3.3 ELECTRONIC IGNITION

Ignition and flame detection is controlled by two electrodes located on the burner. These guarantee maximum safety with intervention times, for accidental switching off or gas failure, of within one second.

3.3.1 Operating cycle

Rotate the selector knob to summer or winter, and verify that green led (\odot) lights up to confirm the presence of voltage. The burner must be ignited within 10 seconds. However, it is possible for ignition

failures to occur, with consequent activation of signal indicating that the control box has "locked out".

- **Gas failure**
The control box runs through the cycle normally sending electric power to the ignition electrode. The electrode continues spark discharge for a maximum of 10 sec. If the burner does not light, the lock-out indicator will light up. This may occur upon first ignition or after long periods of boiler lay-off when there is air in the pipes. It may be caused by the gas cock being closed or by one of the valve coils having a break in the winding, so that the valve cannot open.
- **Ignition electrode fails to spark**
In the boiler, only the gas to the burner is seen to open. After 10 sec. the warning light indicating equipment "lock-out" lights up. This may be due to a break in the wire of the electrode or to the wire not properly fastened to the electric terminal of the control box;
- **No detection of flame**
The continuous spark discharge of the electrode is noted starting from ignition even though the burner is lit. After 10 seconds have elapsed, the sparks cease, the burner goes out, and

the warning light indicating equipment "lock-out" lights up.

There could have a break in the wire of the sensing electrode or the electrode itself is touching earth: the electrode is worn out and needs replacing. The control box is defective.

When there is a sudden voltage failure, the burner shuts out immediately; when power supply returns, the boiler will start up again automatically.

3.4 FLOW SWITCH SAFETY VALVE

A flow switch safety valve (17 fig. 3) intervenes, blocking the operation of the burner if the boiler is without water due to the formation of an air lock in the heat exchanger or if the circulator is not working.

NOTE: If replacing the flow switch valve, make sure that the arrow stamped on the valve points in the same direction as the flow of water.

3.5 SYSTEM AVAILABLE HEAD

For boilers with the standard fittings, the residual head for the heating system on the basis of rate of flow is represented in the diagram in figure 18.

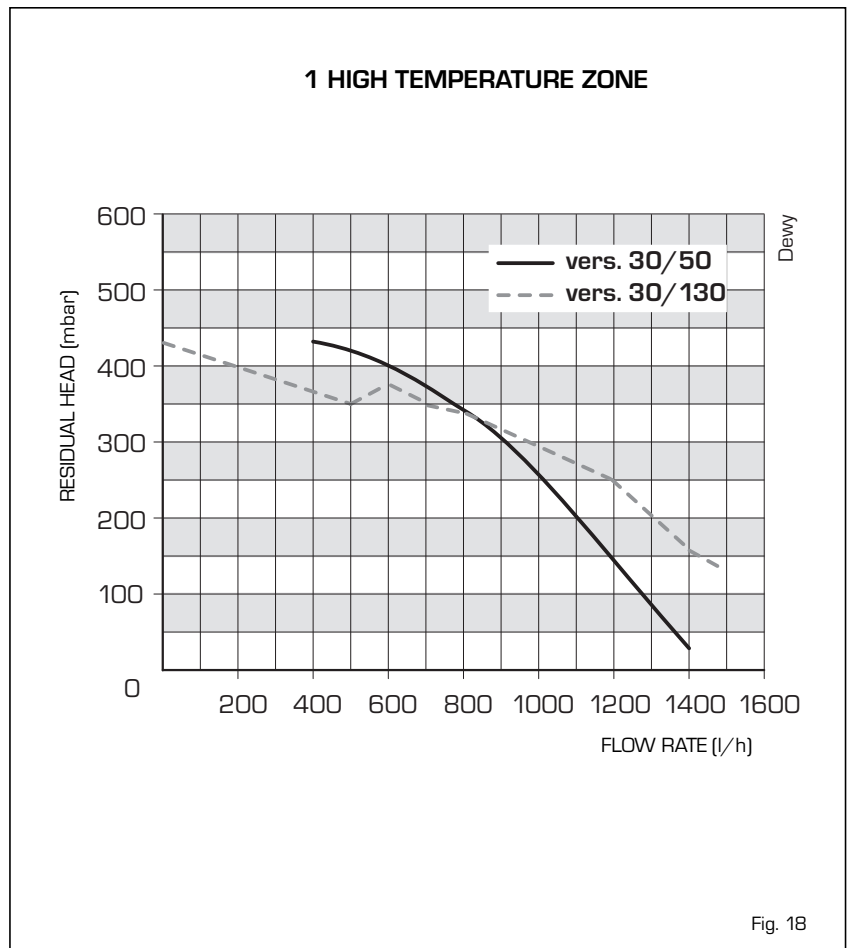


Fig. 18

3.5.1 Head with total rate of flow to other zones

In "30/130" versions using the second and third zone kit, determine the head available to the zones as shown in the following example:

Rate of flow calculated for zone 1 = 350 l/h
Rate of flow calculated for zone 2 = 400 l/h
Rate of flow calculated for zone 3 = 400 l/h

To obtain head available to zone 1, add the

total rate of flow to the other zones (in this case zones 2 and 3): 400 l/h + 400 l/h = 800 l/h.

As shown in the graph (fig. 18/a) at the 800 l/h curve, head at 350 l/h for zone 1 = 180 mbar.

The same procedure may be applied to other zones to obtain:

Zone 2 = 350 l/h + 400 l/h = 750 l/h.
As shown in the graph at the 800 l/h curve, head at 400 l/h = 160 mbar.

Zone 3 = 350 l/h + 400 l/h = 750 l/h.
As shown in the graph at the 800 l/h curve [curve E], head at 400 l/h = 160 mbar.

3.5.2 Head available with the low temperature kit

In "30/130" versions using the low temperature kit, residual available head on the basis of rate of flow is represented in the graph in fig. 18/b.

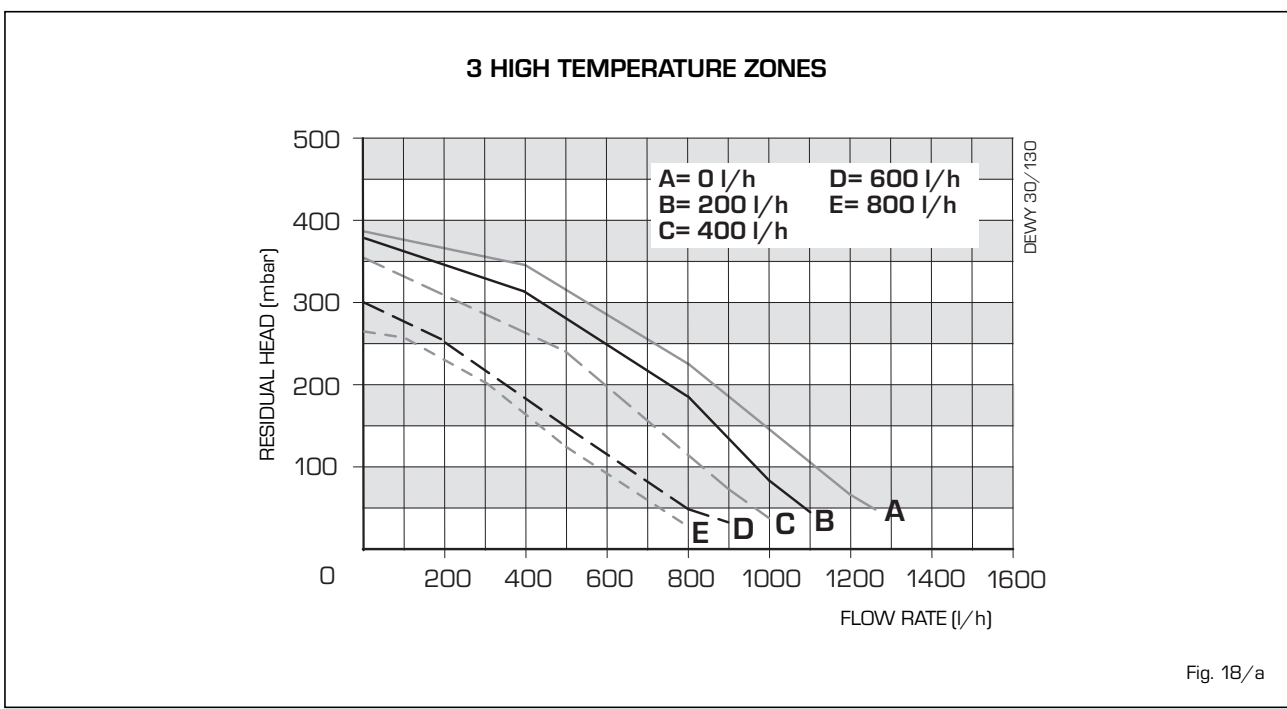


Fig. 18/a

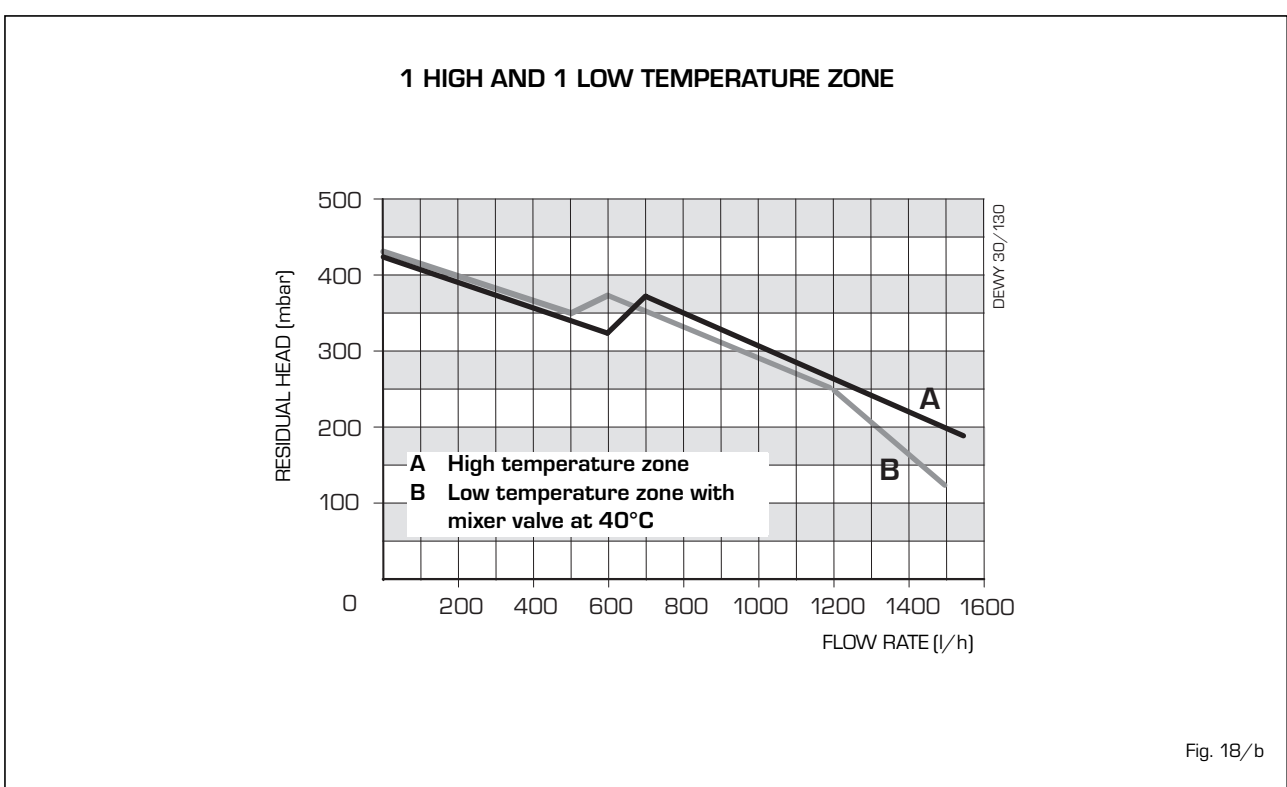


Fig. 18/b

3.6 MAINS ELECTRICITY CONNECTION

Use a separate electricity supply to connect

the room stats and relative zone valves or pumps.

The micro or relay contact connection is made to TA-CR-SE (J2) connector of the cir-

cuit board after having removed the jumper (fig. 19).

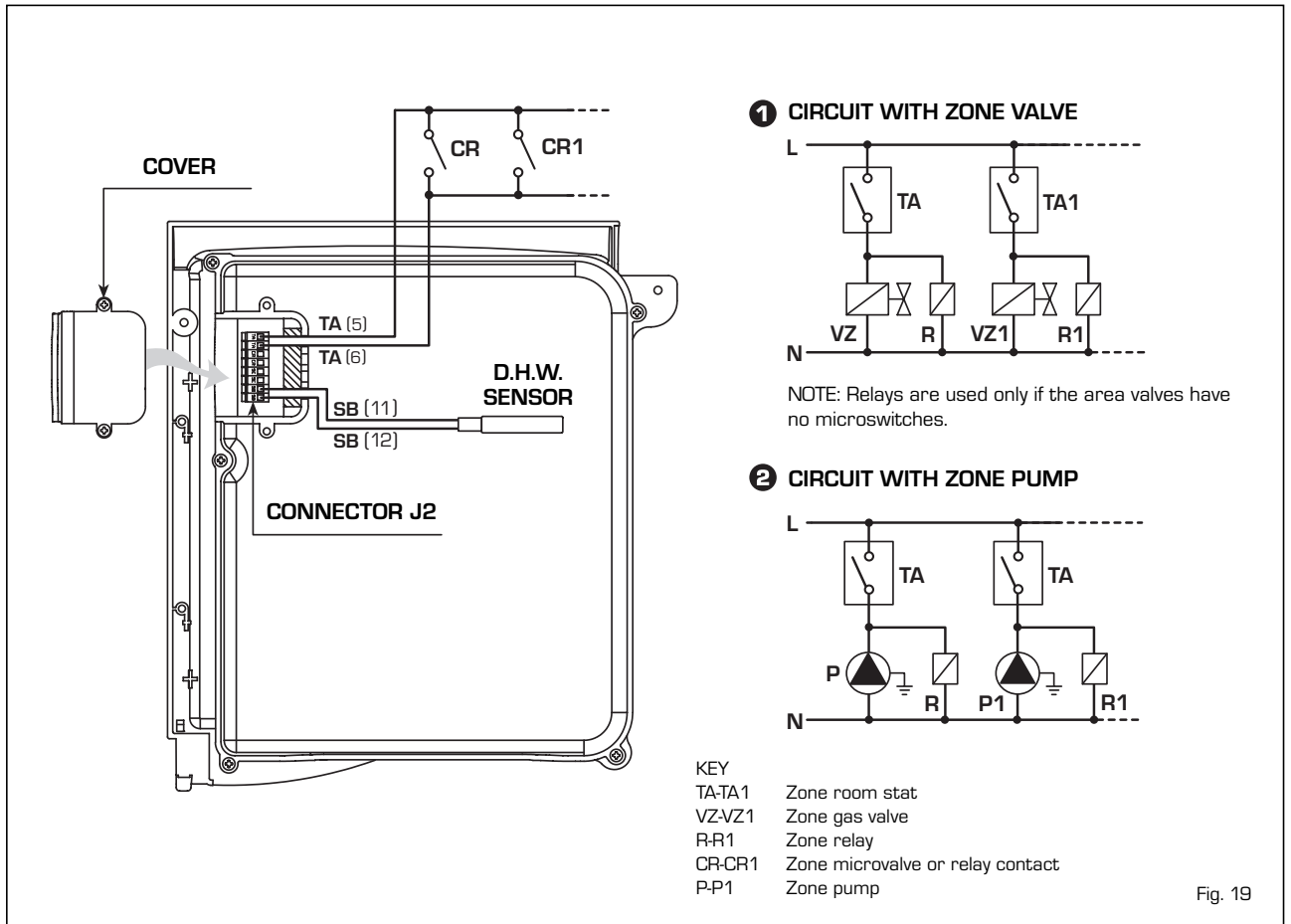


Fig. 19

4 USE AND MAINTENANCE

4.1 D.H.W. PRODUCTION

The preparation of hot water is guaranteed by the glass storage tank unit with magnesium anode for the protection of the boiler unit and inspection flange for its control and cleaning.

The magnesium anode must be checked annually and substituted when it is worn.

It is advisable to place a sluice gate at the entrance of the D.H.W. tank unit which, apart from the total closure, allows the regulation of the supply capacity.

If the boiler does not produce hot water, make sure that the air has been released by pressing on the manual vents after having switched off the main switch.

4.2 GAS VALVE

The boiler is equipped standard with the HONEYWELL VK 8115M gas valve (fig. 20).

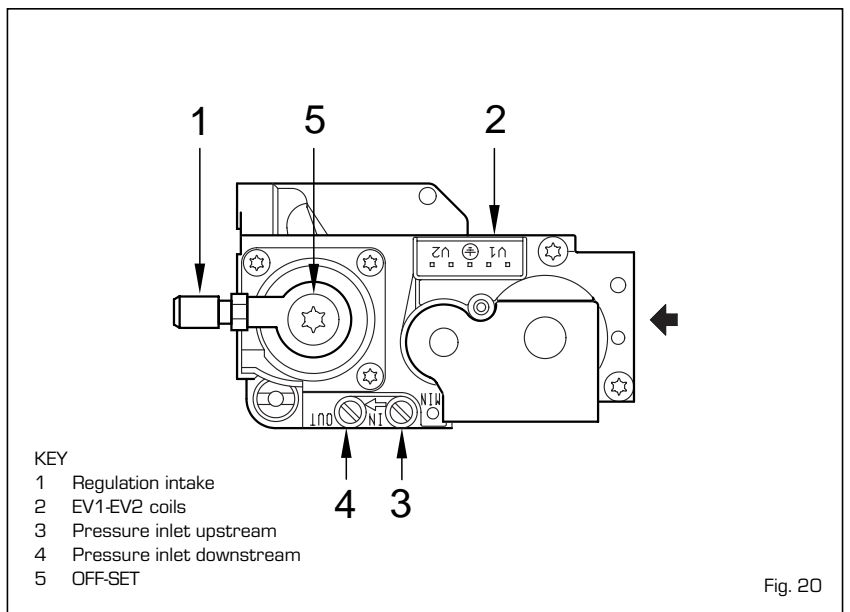


Fig. 20

4.3 ADJUSTMENT OF HEAT OUTPUT FOR HEATING

To adjust boiler heat output for heating purposes, i.e., modifying the setting made at the factory which is approximately 17 kW, use a screwdriver to adjust the heating heat output trimmer [10 fig. 17].

To increase working pressure, turn the trimmer clockwise; to reduce pressure, turn the trimmer counterclockwise.

To determine boiler heat output setting, check energy consumption by observing the meter and then compare with the values shown in **Tables 4 - 4/a - 4/b**; or measure "air Δp " with a digital pressure gauge connected up as shown in fig. 21.

Compare values with those shown in **Tables 4 - 4/a - 4/b**.

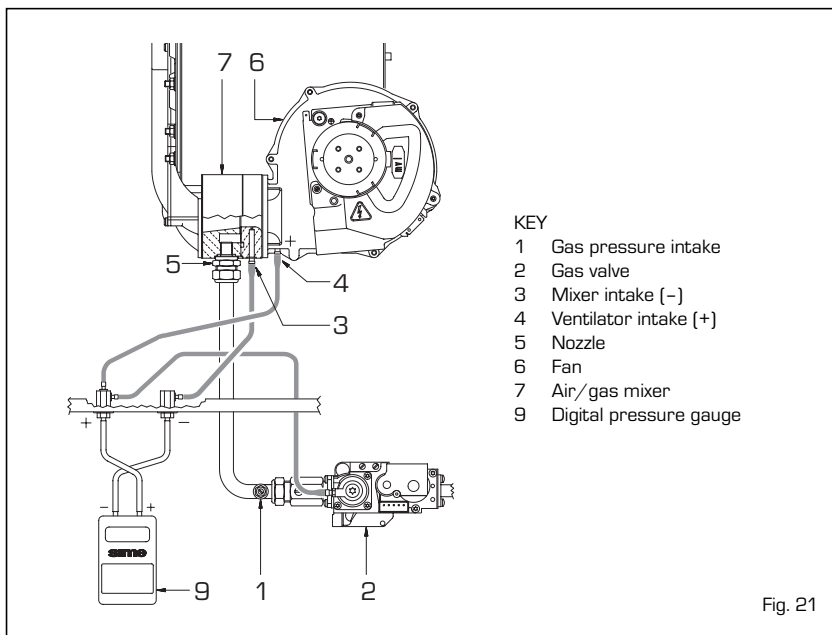


Fig. 21

4.3.1 Diagram illustrating heat output in relation to "air Δp "

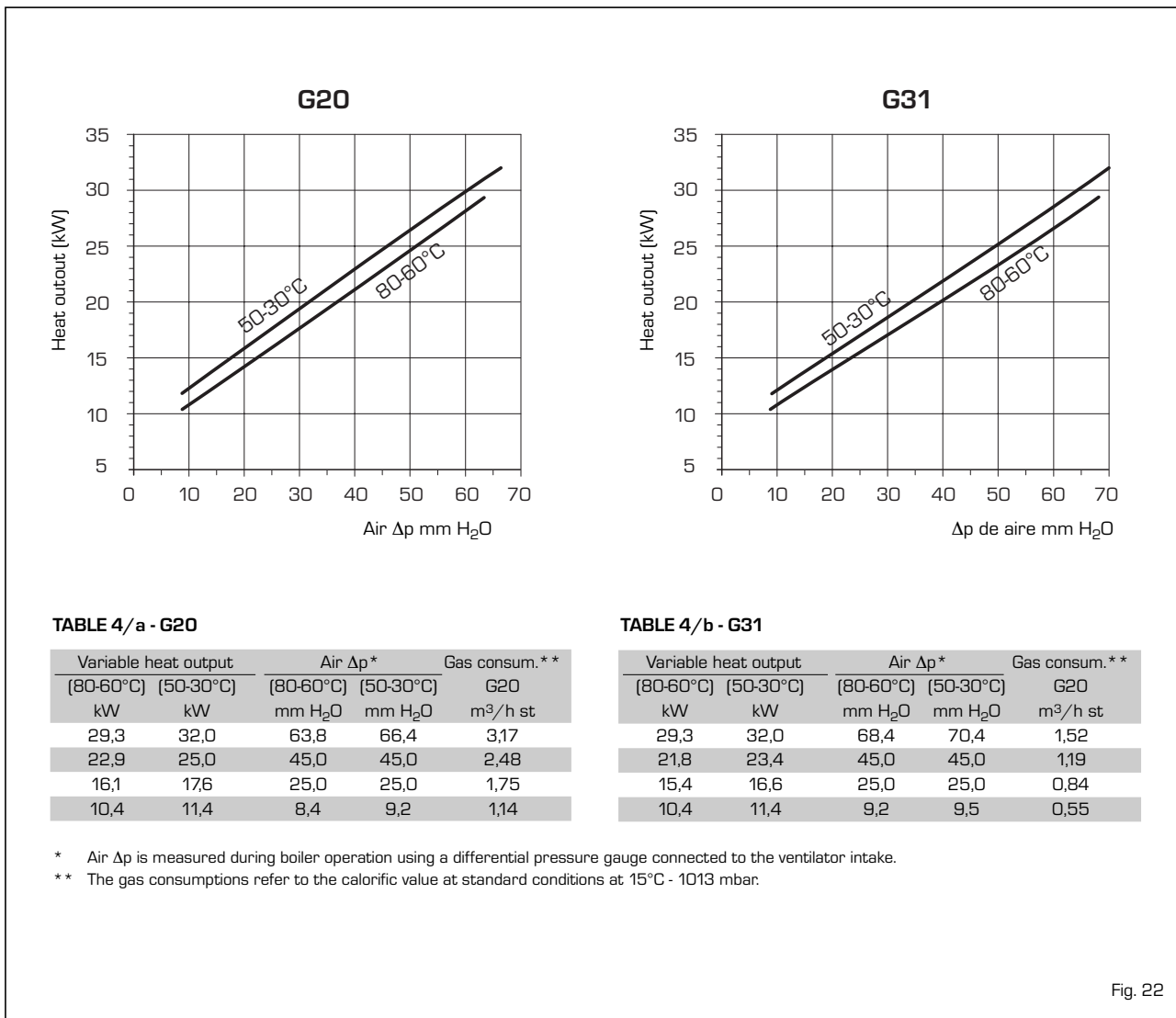


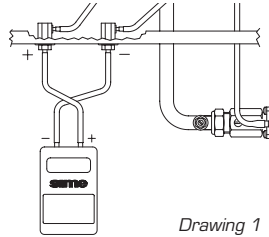
Fig. 22

4.4 BOILER CALIBRATION

The boiler must always be calibrated while set on heating.

“Δp air” ADJUSTMENT

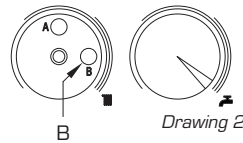
To measure “Δp air” simply connect a differential pressure gauge with a decimal or Pascal scale to the positive and negative tap, observing the symbols (Drawing 1).



Drawing 1

Sequence of operations:

1) Turn the heating power control trimmer clockwise as far as it will go (B - Drawing 2) with the fan at its top speed.



Drawing 2

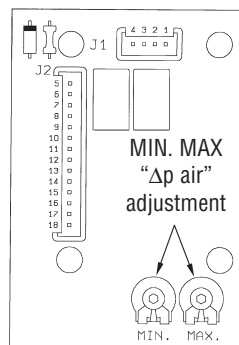
2) Attempt to achieve the “Δp air” values given in the table by adjusting the MAX trimmer on the fan board (Drawing 3):

Δp air max.

Dewy	25	30
Natural gas (G20)	49,5	63,8
Propane (G31)	49,5	68,4

3) Turn the heating power control trimmer anti-clockwise as far as it will go (B - Drawing 2) with the fan at its top speed.

4) Attempt to achieve the “Δp air” values shown in the table using the “MIN” trimmer on the fan board (Drawing 3):



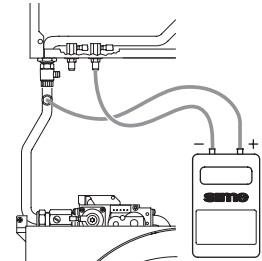
Drawing 3

Δp air min.

Dewy	25	30
Natural gas (G20)	7,1	8,4
Propane (G31)	7,1	9,2

“Δp air-gas” ADJUSTMENT

To measure “Δp air-gas”, simply connect the positive tap of the differential pressure gauge to the gas tap and the negative tap to the corresponding tap on the boiler (Drawing 4).

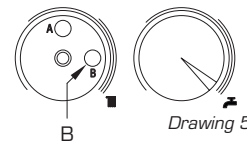


Drawing 4

Always adjust gas pressure with the fan at its top speed.

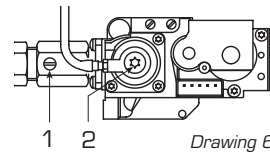
Sequence of operations:

1) Turn the heating power control trimmer anti-clockwise as far as it will go (B - Drawing 5) with the fan at its top speed.



Drawing 5

2) Open the gas capacity step (1 - Drawing 6) all the way so that the notch is in a horizontal position.



Drawing 6

3) Adjust the gas valve OFFSET regulation (2 - Drawing 6), aiming to achieve the “Δp air-gas” shown in the table:

Capacity step open

Dewy	25	30
Natural gas (G20)	7,3	7,0
Propane (G31)	8,1	10,1

4) Using the capacity step (1 - Drawing 6), attempt to achieve the “Δp air-gas” shown in the table:

Capacity step regulated

Dewy	25	30
Natural gas (G20)	5,3	6,3
Propane (G31)	4,4	9,0

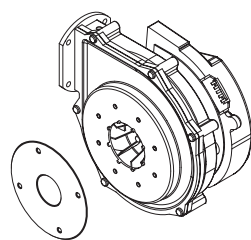
Upon completion of the calibration procedure, check CO₂ values using a combustion analyser. If a difference which is more than 0.2 above or below the values indicated in the table is found, it will be necessary to correct it:

	“Dewy 25”		“Dewy 30”	
	CO ₂ (Natural gas)	CO ₂ (Propane)	CO ₂ (Natural gas)	CO ₂ (Propane)
“MIN” output	9,3	10,2	9,0	10,1
“MAX” output	8,9	10,0	9,1	10,3

- Use the OFFSET screw (2 - Drawing 6) to correct CO₂ at “MIN” output.
- Use the capacity step to correct CO₂ at “MAX” output (1 - Drawing 6).

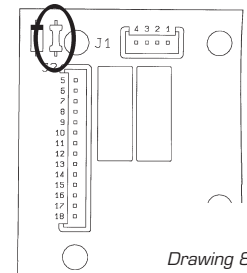
ATTENTION:

- On PROPANE - G31 boilers it is a good idea to check that the position of the GPL bridge on the control board is correct.
- Diaphragm code 6028640 (Drawing 7) is assembled on the “Dewy 25” model functioning on PROPANE - G31 only.



Drawing 7

- If the fan control board code 8260501 is replaced on “Dewy” models running on PROPANE - G31 it is very important to remember to cut the specified resistance (Drawing 8).



Drawing 8

Fig. 23

4.5 DISASSEMBLY OF EXPANSION VESSEL

To disassemble the expansion vessel, proceed as follows:

- Make sure that the water has been emptied out of the boiler.
- Unscrew the connection and the locknut.
- Remove the expansion vessel.

Before refilling the system, using a pressure gauge attached to the valve make sure that the expansion vessel is preloaded at a pressure of 0.8 to 1 bar.

4.6 CLEANING AND MAINTENANCE

Preventive maintenance and checking of efficient operation of equipment and safety devices must be carried out exclusively by authorized technical personnel.

During maintenance operations the authorised technician must check that the syphoned drip is full of water (this check is of importance particularly when the generator has been out of use for a long period of time). Filling is done via the special opening (fig. 24).

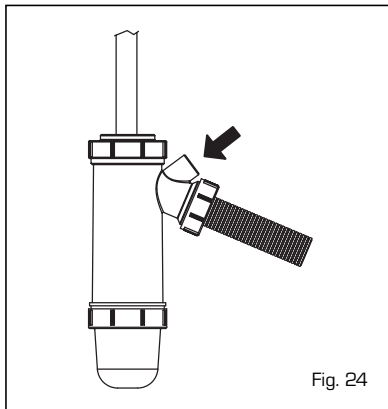


Fig. 24

4.6.1 Disassembly the control panel and skirt cover lid (fig. 25)

To remove the cover, take out the screws (1 - 2) that hold it in place on the instrument panel. Position side "A" of the bracket on the skirt side so that the instrument panel is hooked on the side in order to facilitate this operation.

4.6.2 Chimney sweep function

To carry out the verification of combustion in the boiler; turn the selector and stop on the position (OFF) until the orange led () starts to flash intermittently (fig. 29). From that moment the boiler will start functioning in heating mode at the maximum power, with switching off at 80°C and restarting at 70°C.

Before activating the chimney sweep func-

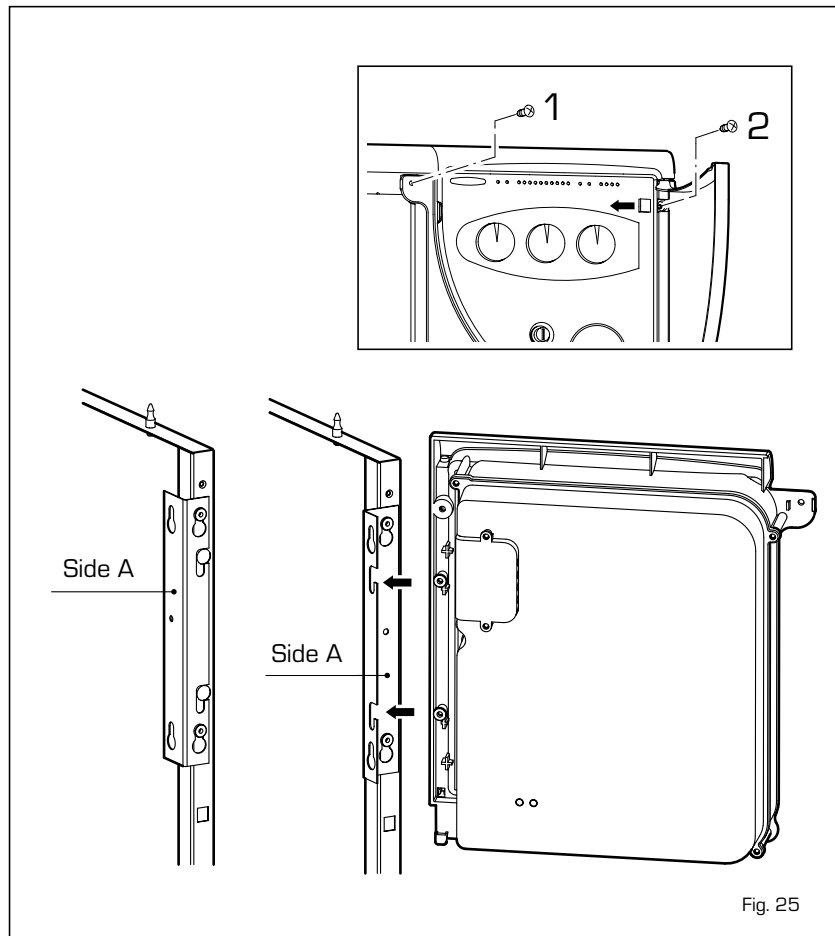


Fig. 25

tion make sure that the radiator valves or eventual zone valves are open.

The test may be carried out also during hot water functioning. To do so it is enough, after having activated the chimney sweep function, to take some hot water from one or more taps; after a few minutes the request of the hot-water service feeler is activated and it automatically switches on the led (). Even in this condition the boiler functions at the maximum temperature

always with the primary controlled between 80°C and 70°C. During the entire duration of the testing the hot water taps must remain open. After verifying the combustion the boiler should be switched off by placing the selector on the (OFF) position; then return the selector to the desired function.

ATTENTION: After about 15 minutes the chimney sweep function automatically deactivates.

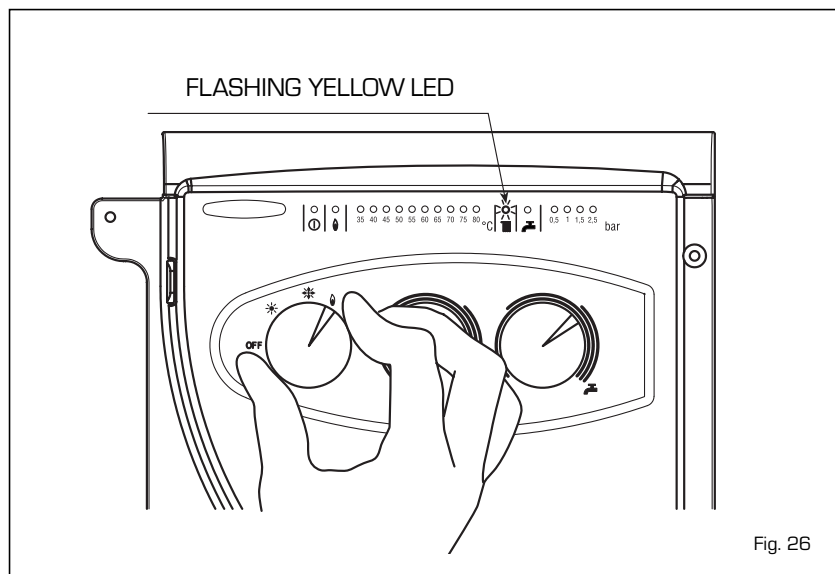


Fig. 26

USER INSTRUCTIONS

IT

ES

PT

GB

WARNINGS

- In case of fault and/or incorrect equipment operation, deactivate it, without making any repairs or taking any direct action. Contact an authorised technical staff.
- The installation of the boiler and any servicing or maintenance job must be carried out by qualified personnel. Under no circumstances, the devices sealed by the manufacturer can be tampered with.
- It is absolutely prohibited to block the intake grilles and the aeration opening of the room where the equipment is installed.

LIGHTING AND OPERATION

BOILER IGNITION (fig. 1)

Open the gas valve, lower the control panel cover and activate the boiler by rotating the selector knob to the summer position (☼). The lighting-up of the green led (⓪) will indicate that the apparatus is switched-on and ready.

- With the rotary switch in the summer position (☼) the boiler will start-up upon demand for domestic hot water,

and run at full power to reach the selected temperature.

The gas feeding pressure will then automatically vary to ensure that the required temperature is kept constant.

- With the rotary switch in the winter position (❄️) once the boiler has reached the value set on the heating potentiometer, it will start to modulate in automatically in order to supply the required power output to the system. The opera-

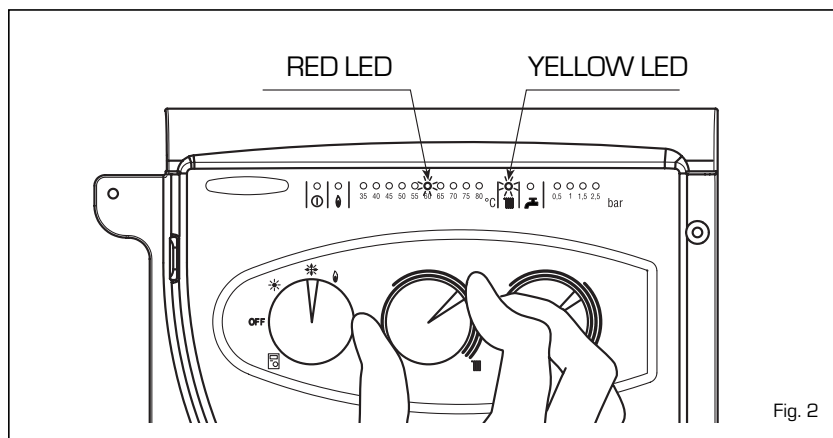
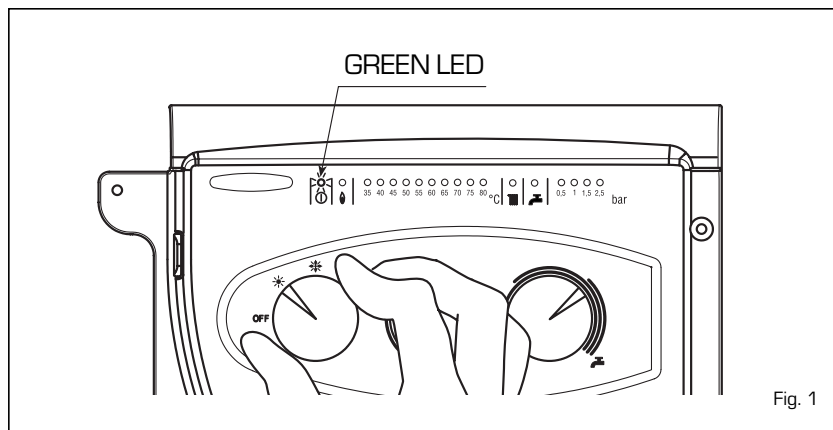
tion of the boiler will be stopped through the intervention of the thermostat or "Logica Remote Control".

TEMPERATURES ADJUSTMENT (fig. 2)

- The D.H.W. temperature can be adjusted by turning the knob of the D.H.W. potentiometer (⚙️).

When there is a demand for hot water, the set temperature is displayed on the red led scale from 35÷80°C and the yellow domestic hot water led lights-up at the same time (⚡).

- The C.H. temperature can be adjusted by turning the knob of the C.H. potentiometer (⚙️). The set temperature is indicated on the red led scale from 35÷80°C and the yellow heating led lights up at the same time (⚡). If the temperature of the blackflow water is lower than around 55° C, condensation of the combustion by-products is obtained, further increasing the efficiency of the thermal exchange.



TURNING THE BOILER OFF (fig. 1)

To turn the boiler off place the selector knob on the **OFF** position. If the boiler is not going to be used for a lengthy period it is advised to turn off the electricity supply, close the gas tap, and if the temperatures foreseen are low, empty the boiler and the hydraulic system to avoid breakage in the tubes due to the freezing of the water.

GAS CONVERSION

Should it be necessary to convert the appliance to a different gas from the one for which the boiler has been equipped, approach the technical staff.

CLEANING AND MAINTENANCE

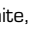
Preventive maintenance and checking

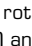
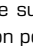
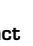
of the efficient operation of the equipment and safety devices must be carried out exclusively by the authorized technical staff.

The boiler is supplied with an electric cable. Should this require replacement, contact exclusively with the authorized technical staff.

FAULT FINDING

Ignition lock-out (fig. 3)

If the burners do not ignite, the red led will light-up ().

To attempt a boiler restart, rotate the selector knob to position () and release it immediately, placing it in the summer () or winter () operation position.

If the boiler lock-out re-occurs, contact an authorised Service Centre.

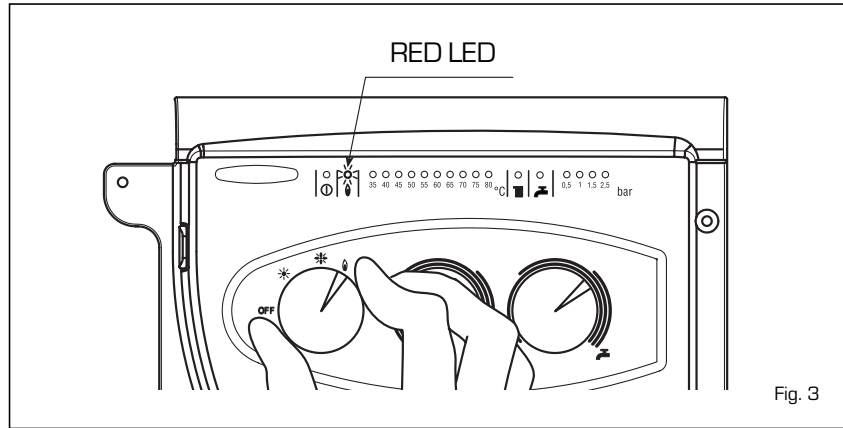


Fig. 3

Insufficient water pressure (fig. 4)

If the red "0.5" bar led starts flashing, the boiler will not function.

To restart operation, rotate the charge valve anticlockwise until the green "1 bar" led lights up.

ONCE THE FILLING HAS BEEN COMPLETED, CLOSE THE FILLING TAP.

If all the leds are off, call the local authorised Service Centre for technical assistance.

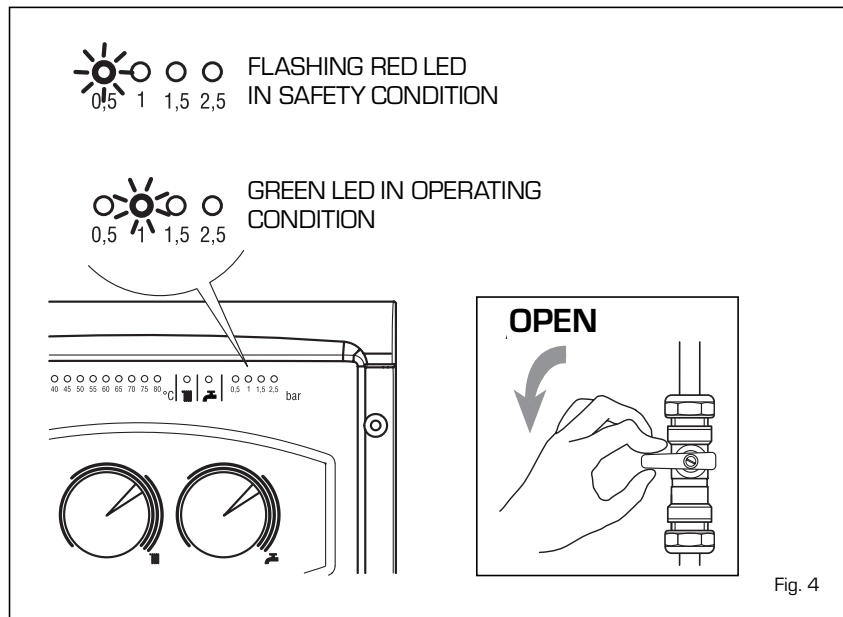





Fig. 4

Safety stat trip (fig. 5)

If the safety thermostat trips, the red "35°C" led will start flashing. In order to attempt a boiler restart, rotate the selector knob to position () and release immediately, returning it to the summer () or winter () position.

If the boiler lock-out occurs again, call local authorised Service Centre for technical assistance.

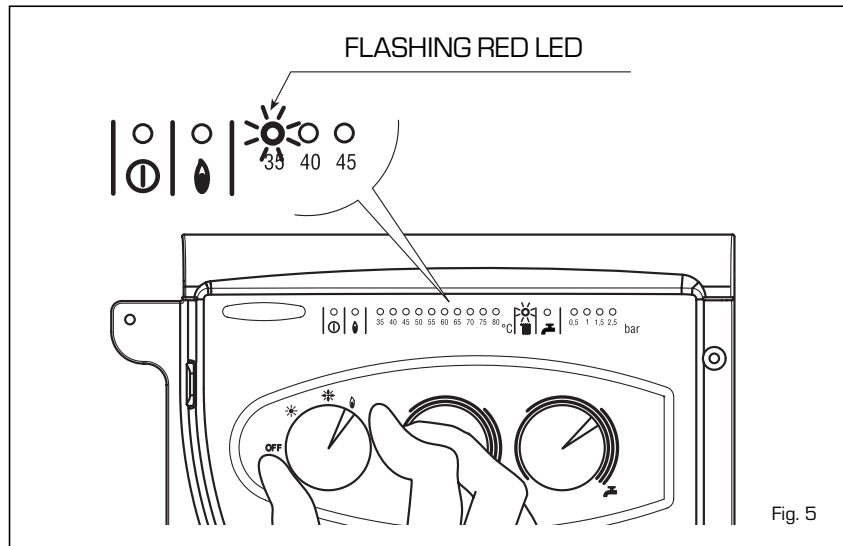


Fig. 5

- **Other anomalies** (fig. 6)
When one of the red "40÷80°C" leds start flashing, switch-off the boiler and then try to ignite again.
After 2 or 3 unsuccessful attempts, do not try again but call authorised technical staff.

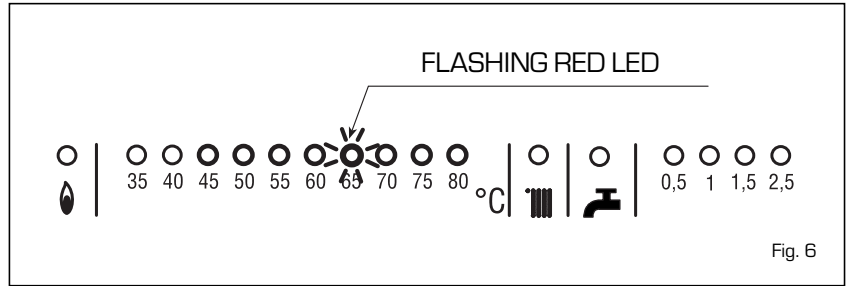


Fig. 6

LOGICA REMOTE CONTROL

When "DEWY" is connected to the "Logica Remote Control" regulator, the selector CR/OFF/SUM/WIN/UNBLOCK must be placed in the position (OFF); the knobs of the hot-water service heating potentiometers do not have any effect and all of the functions will be managed by the regulator (fig. 7).
If the "Logica Remote Control" breaks

down, the boiler will function by placing the selector on the (☀ o ❄), position, obviously without consequent control of the room temperature.

No interior da tampa estão indicadas as instruções de funcionamento (fig. 8). Cada programação ou modificação é visualizada e confirmada no display (fig. 9).

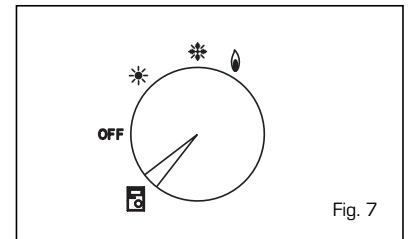
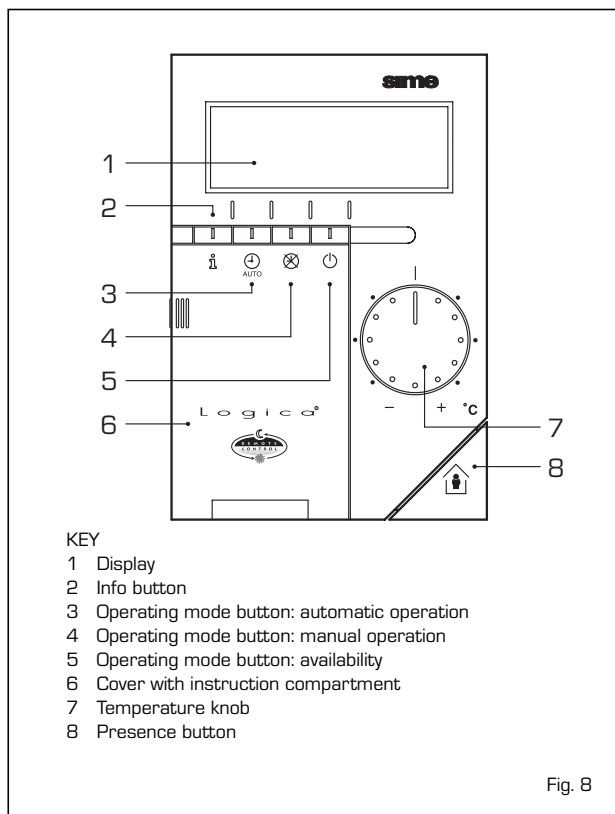
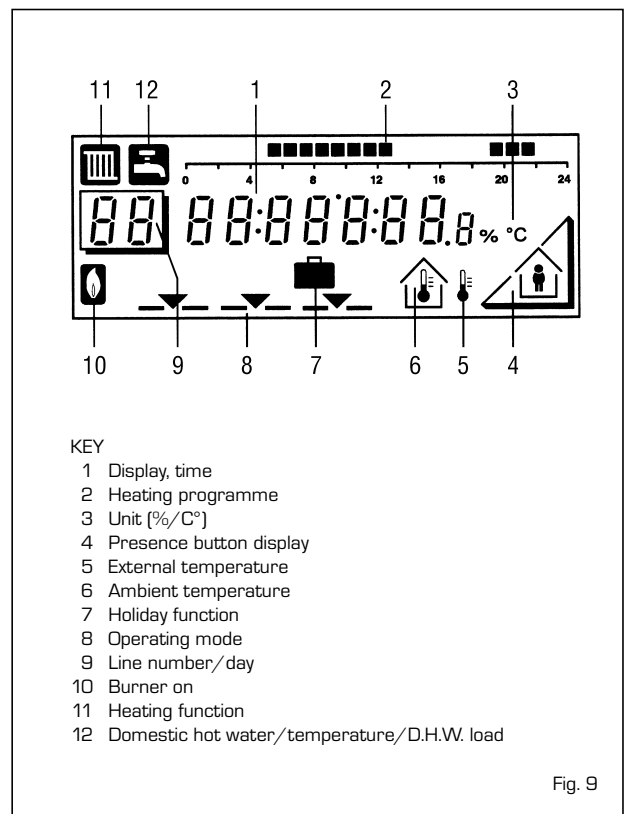


Fig. 7



- KEY
- 1 Display
 - 2 Info button
 - 3 Operating mode button: automatic operation
 - 4 Operating mode button: manual operation
 - 5 Operating mode button: availability
 - 6 Cover with instruction compartment
 - 7 Temperature knob
 - 8 Presence button

Fig. 8



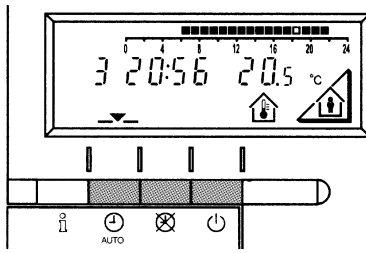
- KEY
- 1 Display, time
 - 2 Heating programme
 - 3 Unit (%/C°)
 - 4 Presence button display
 - 5 External temperature
 - 6 Ambient temperature
 - 7 Holiday function
 - 8 Operating mode
 - 9 Line number/day
 - 10 Burner on
 - 11 Heating function
 - 12 Domestic hot water/temperature/D.H.W. load


Fig. 9

ACTIVATING

During functioning the lid of the regulator must be closed.

- **Selection of the operating mode**
(reference keys grey colour)



The operating mode desired is selected by pressing the relative key with the corresponding symbol. The choice is displayed with the symbol 



Automatic functioning: the heating functions automatically according to the heating programme entered. The programme may be excluded for brief periods with the on-line key.

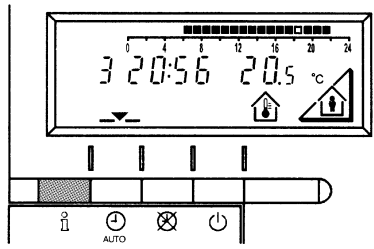


Manual functioning: the heating functions manually according to the choice made with the on-line key.



Availability: the heating is deactivated.

- **Info key**
(reference key grey colour)



For every operation of the Info key the following list of items, one after the other, are displayed. The thermo-feeler continues to function independently of the display.



Day, hour, room temperature



External temperature*

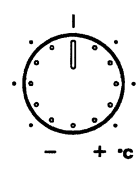


Hot-water service temperature*

* This data appear only if the relative feeler is connected or if they are transmitted by the regulator of the boiler.

- **Adjusting the temperature**

Before adjusting the temperature of the regulator, the thermostatic valves, which may be present, have to be regulated to the desired temperature.



If it is too hot or too cold in your apartment, you can easily adjust the fixed temperature with the temperature knob.



If you turn the knob towards the + sign, the fixed temperature is increased by about 1 °C for every notch.

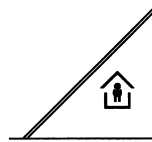


If you turn the knob towards the - sign, the fixed temperature is decreased by about 1 °C for every notch.

Before adjusting it again, however, allow the temperature to stabilise first.

Note: With the temperature knob you can only adjust the fixed temperature, whilst the reduced temperature remains the same.

- On-line key





If the rooms remain unused for a long period of time, the temperature can be reduced with the on-line key, in this way saving energy. When the rooms are occupied again, press the on-line key to re-heat them. The current choice is displayed on the display:



Fixed temperature heating



Reduced temperature heating

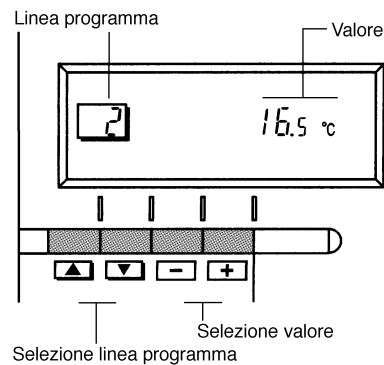
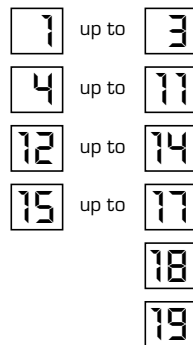
NOTA: The choice made will work in a permanent way when manually  carried out, instead, if automatic  it will work up to the next switching according to the heating programme.

PROGRAMMING

For the programming the lid of the regulator must be open.

You can set or display the following values:

- Temperatures 1 up to 3
- Heating programme 4 up to 11
- Day of the week and hour 12 up to 14
- Current values 15 up to 17
- Vacation period 18
- Return to the default values 19



As soon as the cover is open, the display and the key functions are switched on. The number in the square represents the programme lines that may be selected with the arrow keys.

- Temperature regulation

Before proceeding with the adjustment in the temperature on the regulator, the thermostatic valves, which may be present, have to be regulated to the desired temperature.

In automatic mode, the apparatus switches from the fixed temperature to the reduced temperature according to the temporal programme. The manual switching of the temperature is done manually with the on-line key.



Fixed temperature: temperature when the rooms are occupied (basic setting)








Reduced temperature: temperature during periods of absence or night



Hot-water service temperature: - comfort temperature of the hot-water service



Reduced temperature of hot-water service: temperature desired for hot-water service at reduced level.

To have access to the "reduced hot-water service temperature" parameter, press the  and  keys at the same time for at least 5 seconds and then go along the entered lines with the key  until parameter 61 is reached. Regulate the value with  and .

- Setting the time

72 To set the current day of the week
(1 = Monday/7 = Sunday)

73 To set the current hour

74 To set the current minute
Once the hour is completed, the setting of the hour changes.

With **+** and **-** keys the current hour is regulated. Pressing these keys together, the regulation is speeded up in an increasing sense.

- Programme for hot-water service

With the Logic Remote Control it is possible to manage the temperature of boiler unit on two levels (a comfort level and one at reduced temperature) in accordance with the programme chosen with parameter 62 (load hot-water service). To have access to the parameter press the **▲** and **▼** keys for at least 5 seconds and then go along the entered lines with the **▼** key until parameter 62 is reached. At this point four different programmes may be selected with **-** or **+** keys, with the following characteristics:

- 0** = 24 hours/ day - Hot water always available at the temperature set in parameter 3.
- 1** = standard - Hot water according to the daily heating programme. In the comfort periods of the heating the temperature of the boiler unit is regulated at the value set via parameter 61.
- 2** = service suspended.
- 3** = second daily programme (8) - Everyday of the week the temperature of the hot-water service is set according to programme B. In this case the programming is one for all the days of the week and three periods of time are available. In the periods of time set, the temperature of the boiler unit is controlled via the temperature setting of parameter 61.



5 Start phase 1: preparation of the boiler unit to the comfort temperature

6 End phase 1: Temperature of boiler unit maintained at the reduced value

7 Start phase 2: Preparation of boiler unit to the comfort temperature

8 End phase 2: Temperature of boiler unit maintained at the reduced value

9 Start phase 3: preparation of boiler unit to the comfort temperature

10 End phase 3: Temperature of boiler unit maintained at the reduced value

- Current values

75 Display and setting of the gradient of the heating characteristics curve. When the room temperature set is not reached choose the gradient indicated in point 2.8.3

76 Display of the current boiler temperature.


77 Display of the current power of the burner and of the current operating mode (**■** = heating/ **■** = hot-water service)


- Vacation function

78 To enter the number of days of absence.

In the display the vacation symbol will be shown (**■**), on the left the day of activation (1 = Monday/7 = Sunday) and on the right the number of vacation days.

NOTE:

 During the vacation the regulator will be on the availability mode.

 When the set days have elapsed, the regulator will go on to the automatic function.

AUTO
The vacation period may be cancelled by pressing a key of the operating mode.

IT

ES

PT

GB

- Default values

19

To take the setting to the default values, press the **+** and **-** keys at the same time for at least 3 seconds. As confirmation a sign will appear on the display.

ATTENTION

The values of the following line numbers previously entered will be lost.

- Temperature and time programme **1** to **10**
- Vacation period **18**

- Error display

Er 0

Er 1

Er 67

Er 68

Er 69

Er 70

Er 192

Er 193

Er 195

Ignition lock-out

Rotate selector CR/OFF/EST/INV/RESET on the "PLANET" control panel to the release position (0) to reset operation (fig. 3).
If the lock-out re-occurs, call an authorised Service Centre.

Safety thermostat trip

Rotate selector CR/OFF/EST/INV/RESET on the "PLANET" control panel to the release position (0) to reset operation (fig. 5).
If the lock-out re-occurs, call an authorised Service Centre.

Domestic hot water sensor fault (SB)

Call an authorised Service Centre.

Heating sensor fault (SM)

Call an authorised Service Centre.

Insufficient water pressure

Reset operation using the boiler charge valve (fig. 4).

Plant overpressure

Call an authorised Service Centre.

Safety thermostat trips

Call an authorised Service Centre.

The exhaust gas pressure switch trips

Call an authorised Service Centre.

No communication between the "Logica Remote Control" and the boiler.

Call an authorised Service Centre.

FOR THE INSTALLATION TECHNICIAN

CONTENTS

1	DEVICE DESCRIPTION	page	46
2	INSTALLATION	page	50
3	FEATURES	page	57
4	USE AND MAINTENANCE	page	60

IMPORTANT

When turning the boiler on for the first time it is best to run the following checks:

- Make sure there are no flammable liquids or materials in the boiler's near vicinity.
- Make sure that electrical connections are correct and that the grounding wire is connected to a good grounding system.
- Open the gas tap and check the seal on the fixtures including the burner.
- Make sure that the boiler is set to operate with the type of gas supplied.
- Make sure that the exhaust flue is free and/or correctly assembled.
- Make sure that any shutters are open.
- Make sure that the system was filled with water and that all air was drained.
- Make sure the distributor is not obstructed.
- Discharge any air in the gas pipes by using the pressure escape on the gas valve.

FONDERIE SIME S.p.A. located in Via Garbo 27 - Legnago (VR) - Italy declares that its hot water boilers, CE approved according to Gas Directive 90/396/CEE and equipped with safety thermostat calibrated to maximum 110°C, are **exempt** from PED Directive 97/23/CEE application field because they meet the requisites foreseen in article 1 comma 3.6 therein.



1 DEVICE DESCRIPTION

1.1 INTRODUCTION

“DEWY EQUIPE 60-120-180-240 BOX” are pre-mixed condensation heating modules intended only for heating, inter-connecti-

ble and easy to assemble, designed to work singularly or in sequence/cascade autonomously.

They are designed and constructed to meet European directives

90/336/CEE, 73/23/CEE and European regulation EN 483.

NOTE: Authorised personnel must turn on the device the first time.

1.2 “DEWY EQUIPE 60-120 BOX” DIMENSIONS

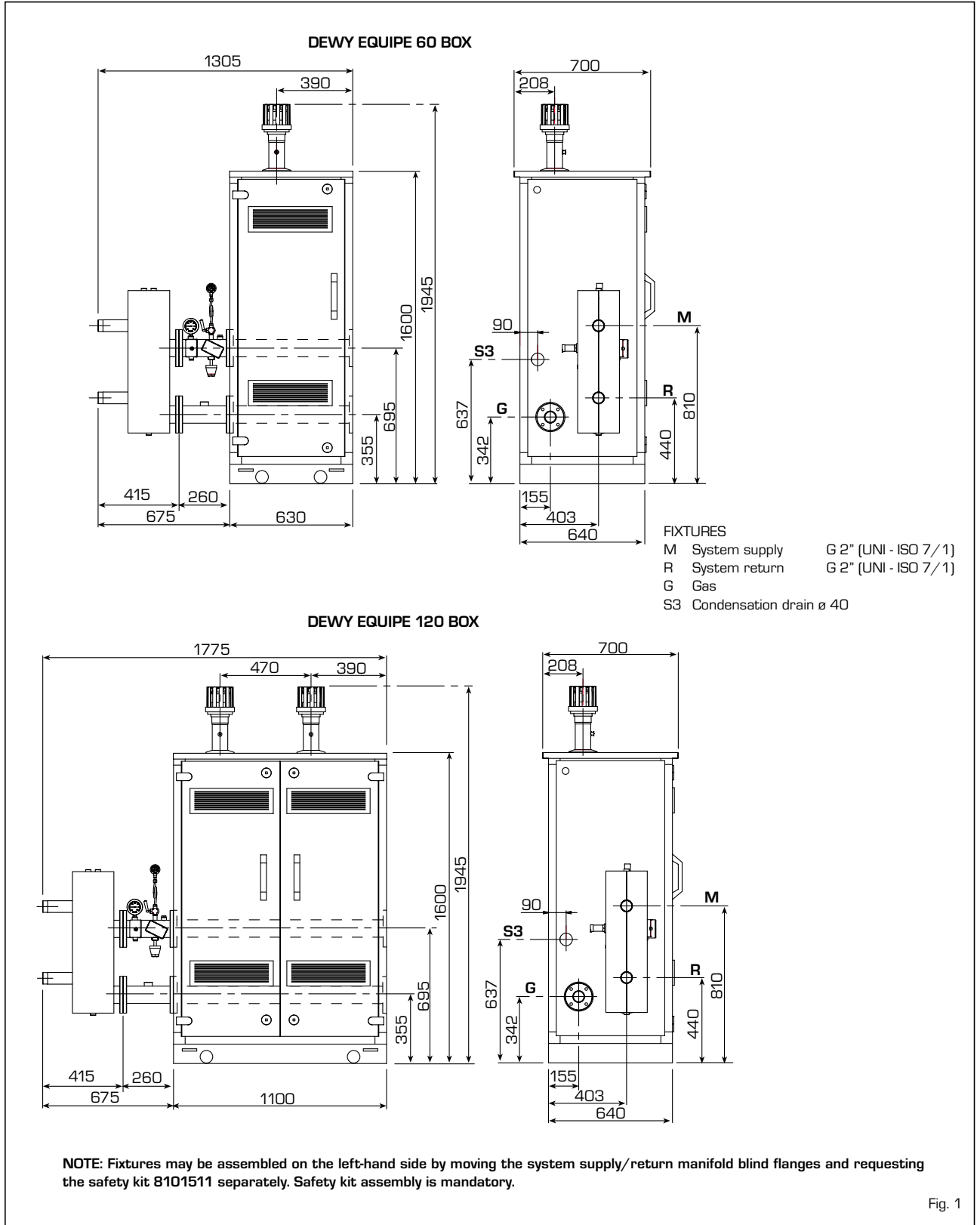


Fig. 1

1.3 TECHNICAL SPECIFICATIONS

DEWY EQUIPE		60 BOX	120 BOX	180 BOX	240 BOX
Nominal heat output (80-60°C)	kW (kcal/h)	56,9 (49.000)	113,9 (98.000)	170,9 (146.900)	227,8 (196.000)
Nominal heat output (50-30°C)	kW (kcal/h)	62,2 (53.500)	124,5 (107.100)	186,7 (160.600)	248,8 (214.000)
Minimum heat output G20 (80-60°C)	kW (kcal/h)	16,8 (14.400)	16,8 (14.400)	16,8 (14.400)	16,8 (14.400)
Minimum heat output G20 (50-30°C)	kW (kcal/h)	18,2 (15.700)	18,2 (15.700)	18,2 (15.700)	18,2 (15.700)
Minimum heat output G31 (80-60°C)	kW (kcal/h)	22,3 (19.200)	22,3 (19.200)	22,3 (19.200)	22,3 (19.200)
Minimum heat output G31 (50-30°C)	kW (kcal/h)	24,9 (21.400)	24,9 (21.400)	24,9 (21.400)	24,9 (21.400)
Nominal heat input	kW (kcal/h)	58 (49.900)	116 (99.800)	174 (149.600)	232 (199.500)
Minimum heat input G20	kW (kcal/h)	17,4 (15.000)	17,4 (15.000)	17,4 (15.000)	17,4 (15.000)
Minimum heat input G31	kW (kcal/h)	23,2 (19.900)	23,2 (19.900)	23,2 (19.900)	23,2 (19.900)
Min-max operating yield (80-60°C)	%	96,4 - 98,2	96,4 - 98,2	96,4 - 98,2	96,4 - 98,2
Min-max operating yield (50-30°C)	%	104,7 - 107,3	104,7 - 107,3	104,7 - 107,3	104,7 - 107,3
Operating yield at 30% (50-30°C)	%	106,4	106,4	106,4	106,4
Energy yield markings (CEE 92/42)		★★★★	★★★★	★★★★	★★★★
Heat modules	n°	1	1	1 de "60 BOX"+1 de "120 BOX"	2 de "120 BOX"
NOx class		5	5	5	5
Exhaust temperature at nominal Q. (80-60°C)	°C	68	68	68	68
Exhaust temperature at Minimum Q. (80-60°C)	°C	58	58	58	58
Exhaust temperature at nominal Q. (50-30°C)	°C	49	49	49	49
Exhaust temperature at Minimum Q. (50-30°C)	°C	42	42	42	42
Maximum exhaust capacity	kg/h	98,2	196,4	294,6	392,8
CO ₂ at Q. Nominal/Minimum G20	%	9,0/9,0	9,0/9,0	9,0/9,0	9,0/9,0
CO ₂ at Q. Nominal/Minimum G31	%	10,0/10,0	10,0/10,0	10,0/10,0	10,0/10,0
Maximum pressure exhaust manifold output	Pa	100	100	100	100
Potencia eléctrica absorbida	W	198	396	594	792
Absorbed power		IPX4D	IPX4D	IPX4D	IPX4D
CE certification	n°	1312BP4142	1312BP4142	1312BP4142	1312BP4142
Category		II2H3P	II2H3P	II2H3P	II2H3P
Category in France		I2E+	I2E+	I2E+	I2E+
Category in Belgium		I2E(S)B	I2E(S)B	I2E(S)B	I2E(S)B
Type		B23-53	B23-53	B23-53	B23-53

HEATING

Max operating pressure	bar	4	4	4	4
Max operating temperature	°C	85	85	85	85
Water content modules	l	17,4	24,6	42,0	49,2
Single module temperature regulation	°C	20/80	20/80	20/80	20/80

GAS AND NOZZLE PRESSURE

Supply pressure G20/G25	mbar	20/25	20/25	20/25	20/25
Supply pressure G31	mbar	37	37	37	37
Number of nozzles	n°	1	1	1	1
Nozzle diameter G20/G25	ø	9,3	9,3	9,3	9,3
Nozzle diameter G31	ø	6,7	6,7	6,7	6,7
Consumption at nominal/minimum power G20	m ³ /h	6,13/1,84	12,27/1,84	18,40/1,84	24,54/1,84
Consumption at nominal/minimum power G31	kg/h	4,53/1,81	9,06/1,81	13,59/1,81	18,12/1,81

WEIGHT

kg

1.4 OPERATING DIAGRAM

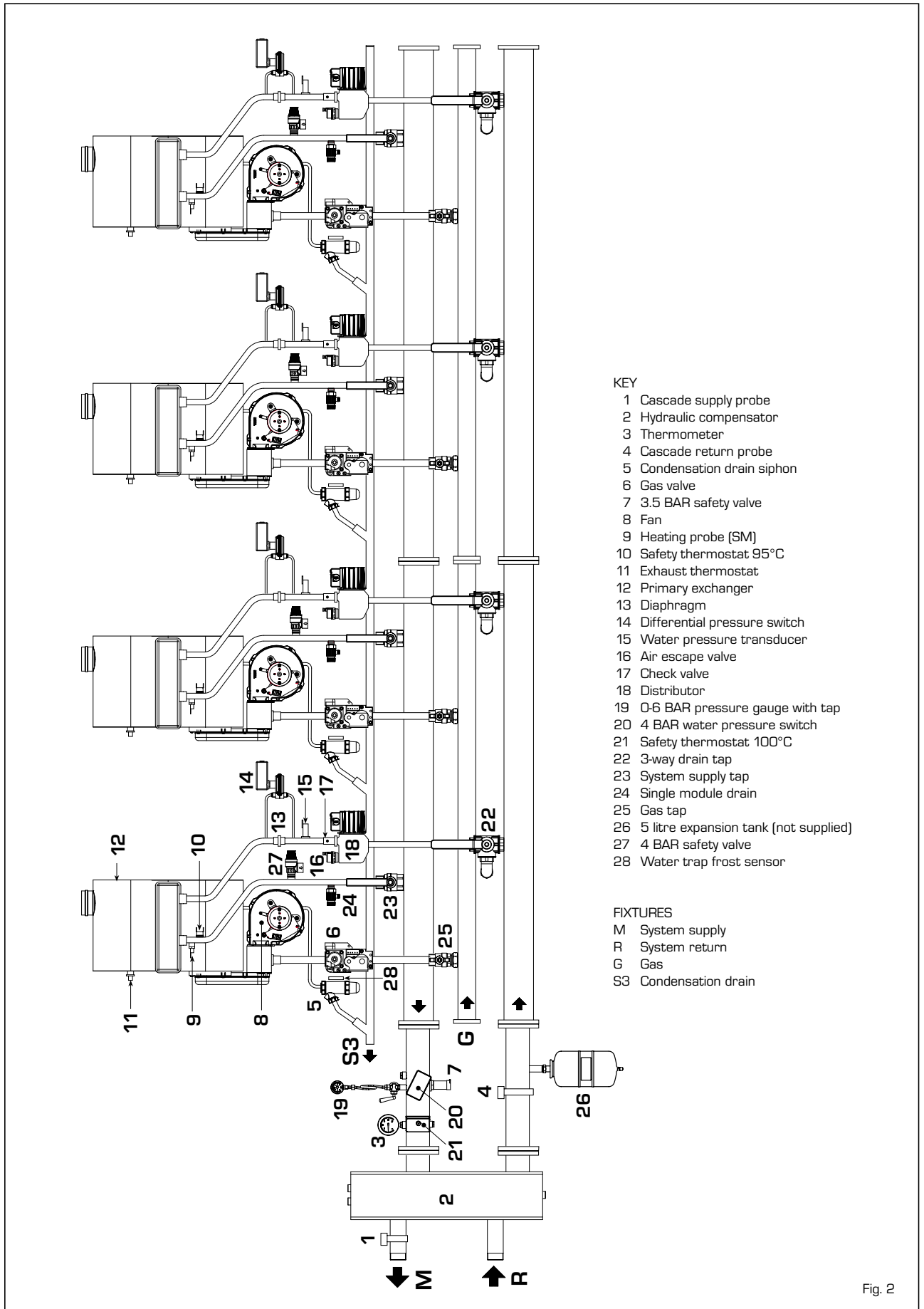
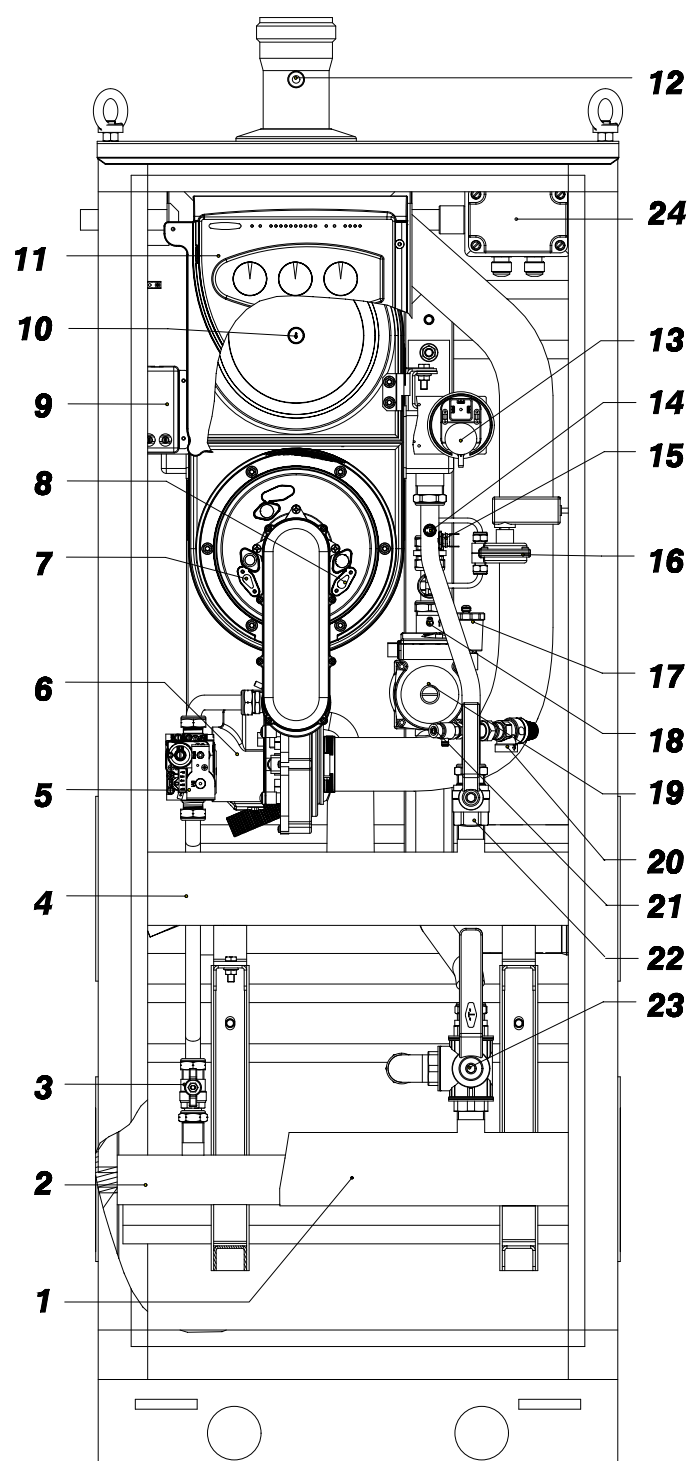


Fig. 2

1.5 MAIN COMPONENTS



- KEY
- 1 System return manifold
 - 2 Gas manifold
 - 3 Gas tap
 - 4 System supply manifold
 - 5 Gas valve
 - 6 Fan
 - 7 Ignition electrode
 - 8 Detection electrode
 - 9 Ignition transformer
 - 10 Exhaust thermostat
 - 11 Control panel
 - 12 Exhaust analysis point
 - 13 Air pressure switch
 - 14 Heating probe (SM)
 - 15 Safety thermostat 95°C
 - 16 Differential pressure switch
 - 17 Automatic escape
 - 18 Check valve
 - 19 Distributor
 - 20 4 BAR safety valve
 - 21 Module drain
 - 22 System supply tap
 - 23 3-way drain tap
 - 24 Shunt box

Fig. 3

2 INSTALLATION

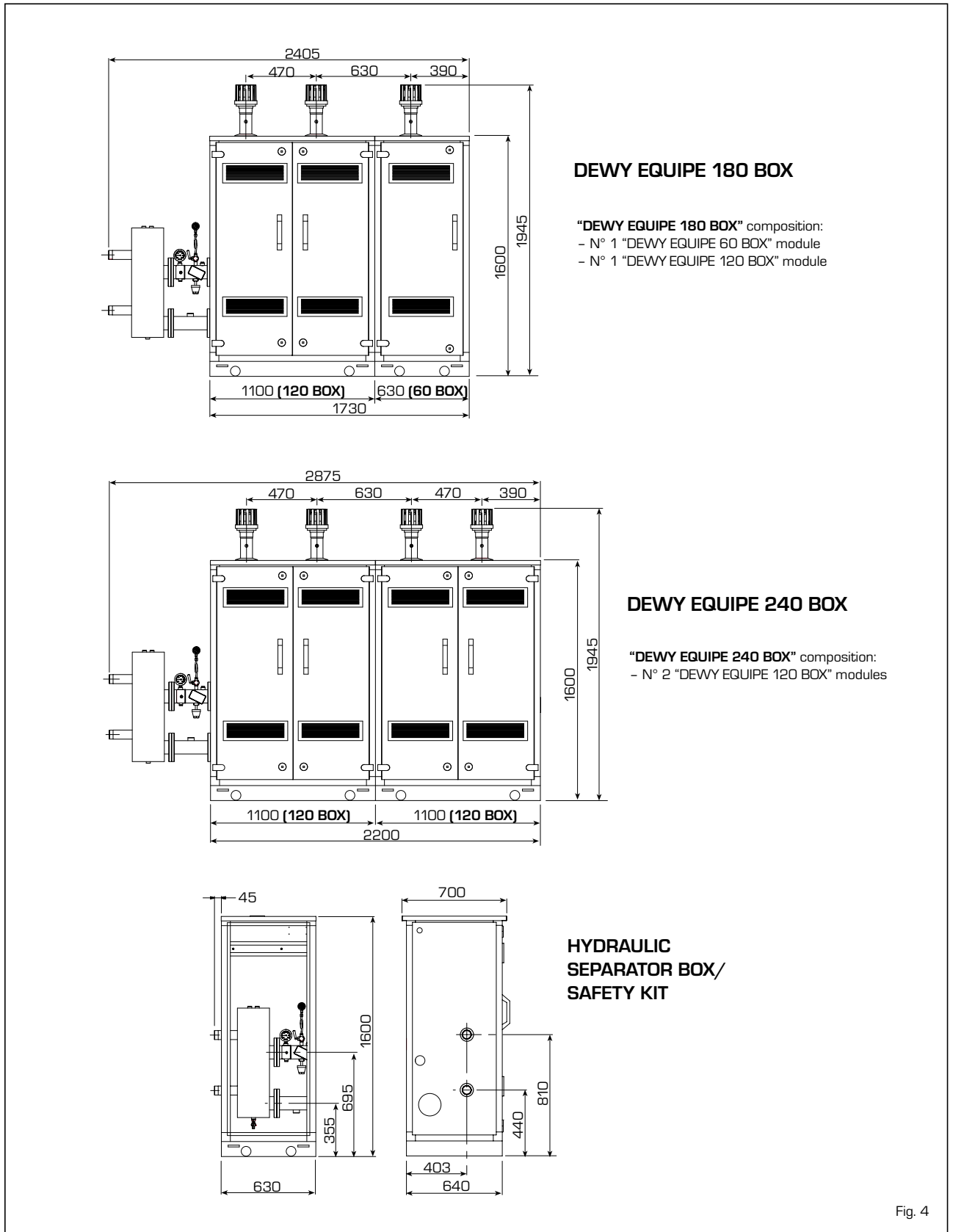


Installation is permanent and must exclusively be performed by specialised and qualified personnel, following all the instructions and provisions included in this manual.
Current regulations must also be met.

2.1 SUPPLY

"PLANET DEWY 60-120-180-240 BOX" heat modules, inter-connectible by flange, are supplied with an external pre-painted zinc-coated laminate case.

They are complete with hydraulic separator, supply/return water manifold fastening screws and gaskets and sequence/cascade digestion unit cod.8096301 supplied with **"120-180-240 BOX"** modules.
For possible combinations, refer to fig. 4.



Available separately:

- Safety kit to requested according to module fixture positions:
cod. 8101511 for right-hand fixtures
cod. 8101510 for left-hand fixtures.
- Hydraulic separator box/ safety kit cod. 8101512.
- Polypropylene exhaust manifold kit for indoor installation:
cod. 8102510 for "60 BOX" module
cod. 8102511 for "120 BOX" module
cod. 8102512 for "180 BOX" module
cod. 8102513 for "240 BOX" module
- Exhaust terminal cod. 8089530 for outdoor installations.

To electrically connect the modules and to assemble the exhaust for indoor or outdoor installations, see points 2.6, 2.7 and 2.10.5 in this manual.

2.2 INSTALLATION

2.2.1 Indoors

"PLANET DEWY 60-120-180-240 BOX" heat modules can be installed in boiler rooms whose size and requirements meet current regulations.

Furthermore, vents must be installed in the outer walls for room ventilation.

They must be sized according to the requirements in point 4.1.2 of the same decree and must not, in any case be smaller than 3.000 cm² or 5.000 cm² for gas with density over 0.8.

2.2.2 Outdoors

"PLANET DEWY 60-120-180-240 BOX" heat modules can also be installed outdoors with the specific exhaust for single module cod. 8089530.

2.3 SYSTEM CONNECTIONS

To protect the heat system from damaging corrosion, incrustation or deposits, after installation it is extremely important to clean the system using suitable products such as, for example, Sentinel X300 or X400.

Complete instructions are provided with the products but, for further information, you may directly contact GE Betz.

For long-term protection against corrosion and deposits, the use of inhibitors such as Sentinel X100 is recommended after cleaning the system.

It is important to check the concentration of the inhibitor after each system modification and during maintenance following the manufacturer's instructions [specific tests

are available at your dealer].

The safety valve drain must be connected to a collection funnel to collect any discharge during interventions.

WARNING:

Failure to clean the heat system or add an adequate inhibitor invalidates the device's warranty.

Gas connections must be made in accordance with current standards and regulations. When dimensioning gas pipes from the meter to the module, both capacity volume (consumption) in m³/h and gas density must be taken into account.

System pipe sections must be able to guarantee sufficient supply to cover maximum demand, limiting pressure loss between the meter and any utility device no greater than 1.0 mbar for second family gas (natural gas). A sticker inside the module includes identification and gas type data specific to the module.

2.3.1 Condensation drain connection

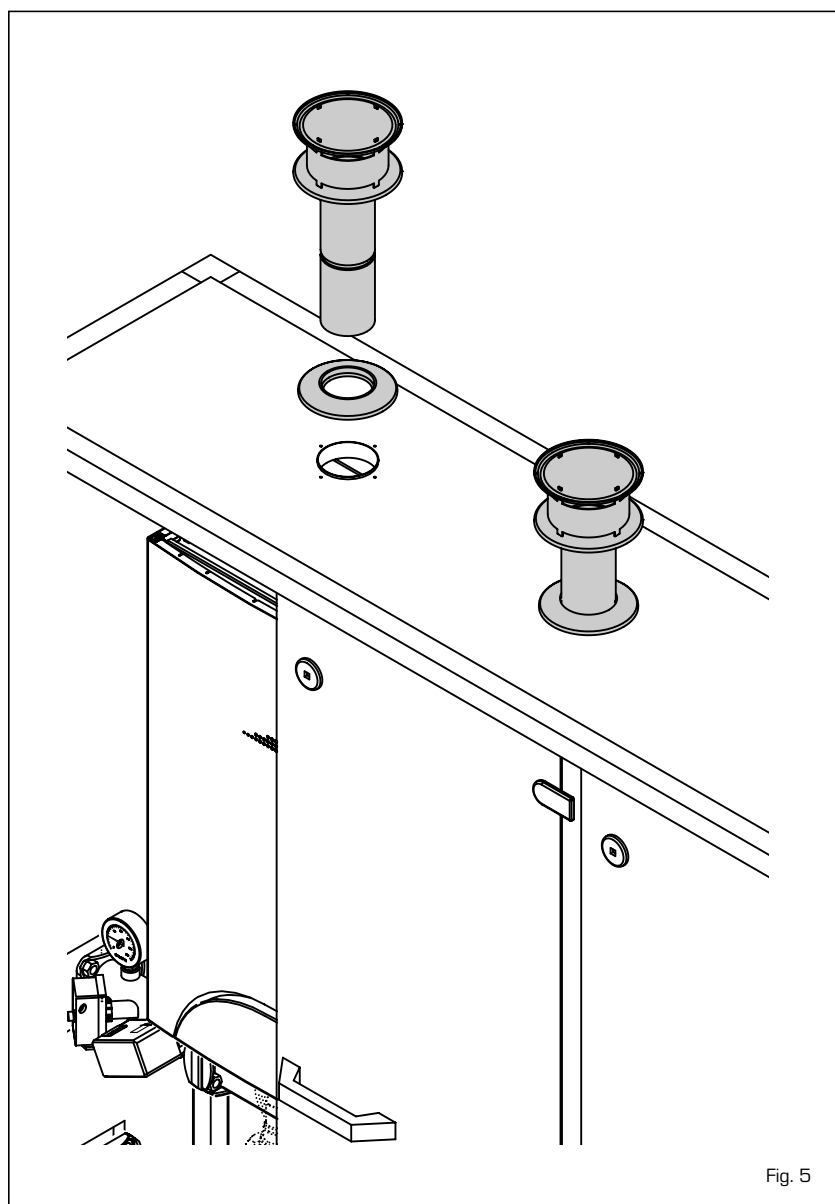
A siphoned drain must be connected to the civil drain by a pipe with minimum 5 mm per meter gradient for condensation collection. **Only normal plastic civil drain pipes are suitable to convey condensation to the building's sewer drain.**

2.5 FILLING THE SYSTEM

Cold system filling pressure must be **1 bar**. The system must be filled slowly so that air bubbles are released through the specific escapes.

2.6 EXHAUST FOR OUTDOOR INSTALLATION

The exhaust terminal for single module cod. 8089530 is required for this type of installation. For separately supplied accessory assembly see fig. 5.



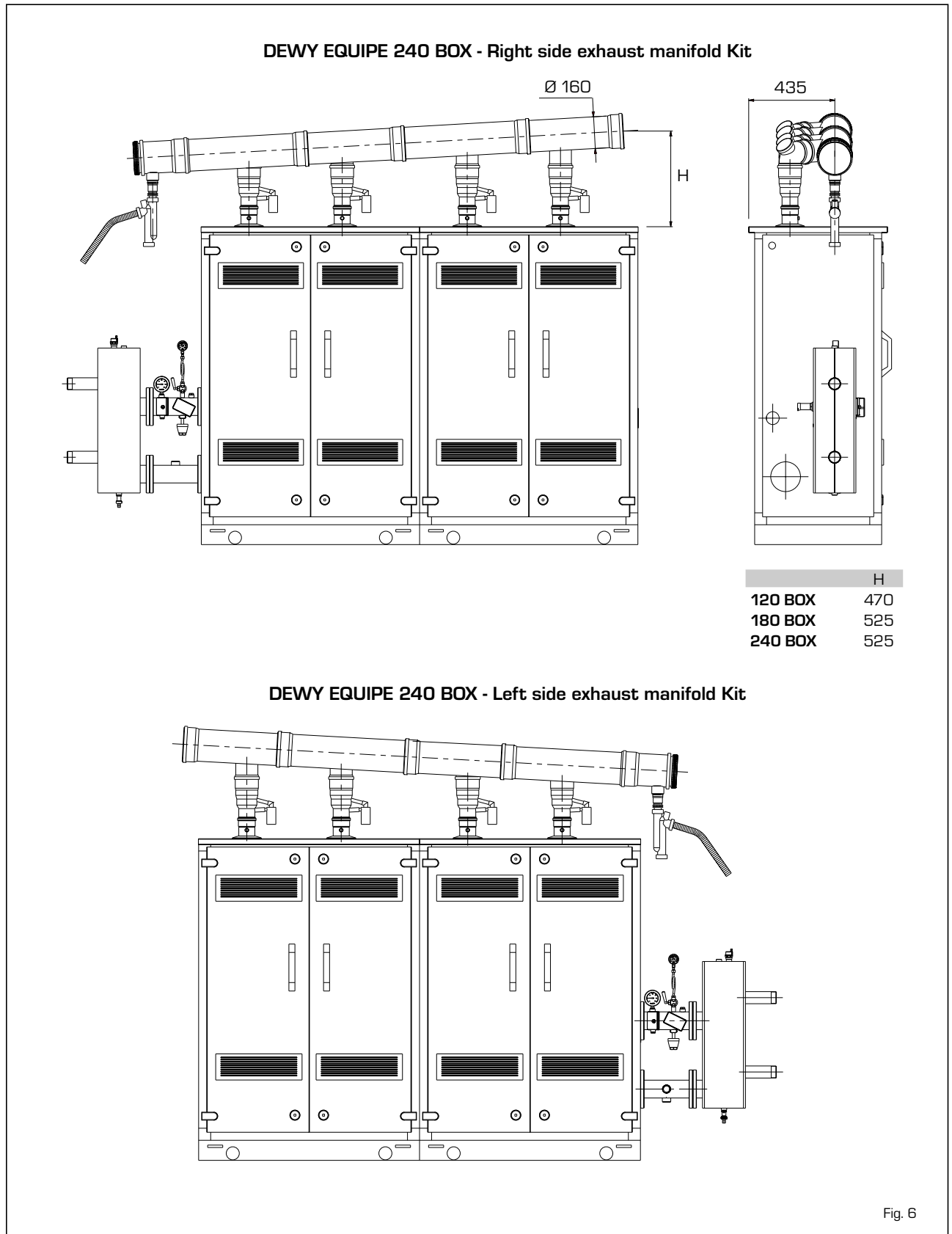
- IT
- ES
- GB
- FR
- BE

2.7 INDOOR INSTALLATION EXHAUST KIT

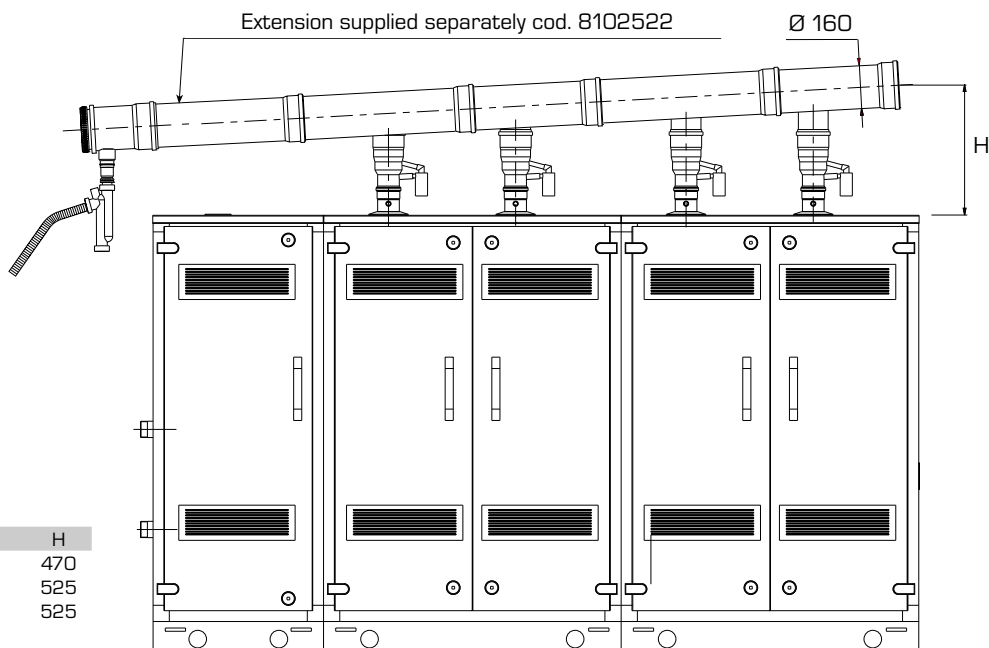
Refer to fig. 6 and 6/a for this type of installation. The indicated solutions have the exhaust manifold positioned both on the

module's right and left and the use of extension cod. 8102522/23, supplied separately, is only necessary when the hydraulic separator box/safety kit cod. 8101512 is installed. Figure 6/b illustrates the elements included

in the polypropylene exhaust manifold required for single and multiple module installation, and the available accessories to be used according to installation type.



DEWY EQUIPE 240 BOX - Left side exhaust manifold kit and hydraulic separator box/safety kit



DEWY EQUIPE 240 BOX - Left side exhaust manifold kit and hydraulic separator box/safety kit

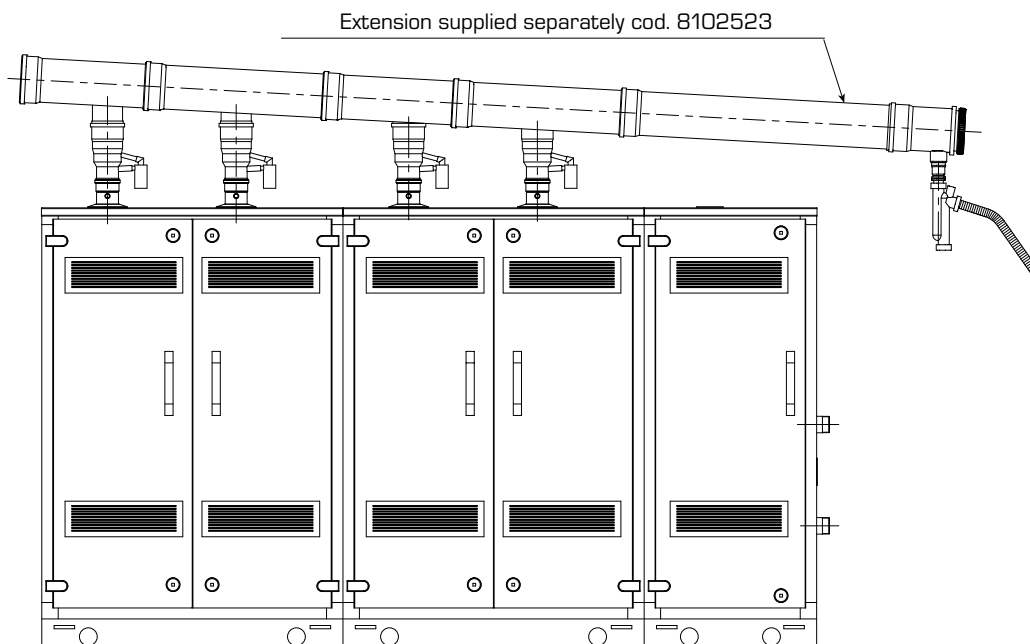
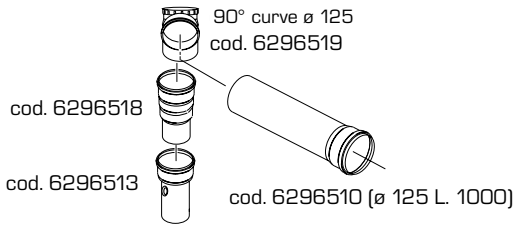
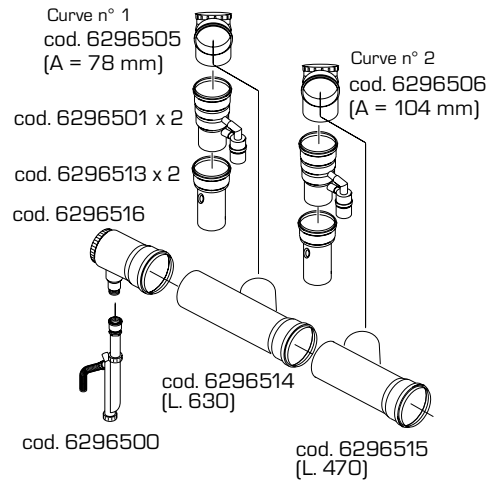


Fig. 6/a

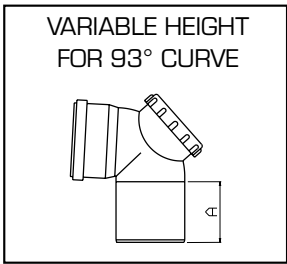
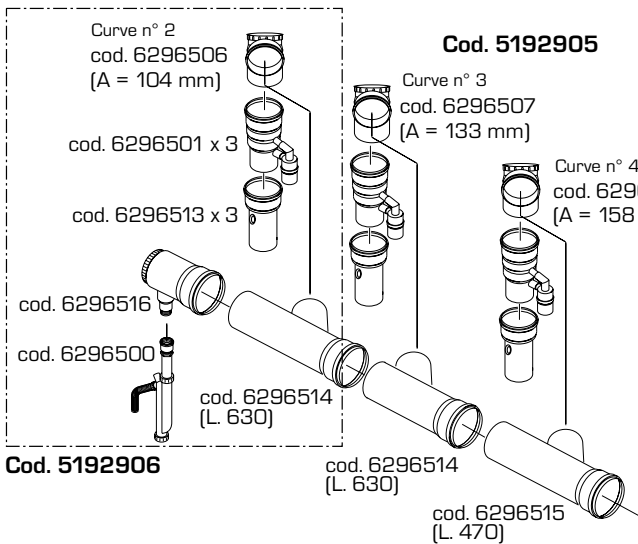
EXHAUST MANIFOLD KIT COD. 8102510
"DEWY EQUIPE 60 BOX"



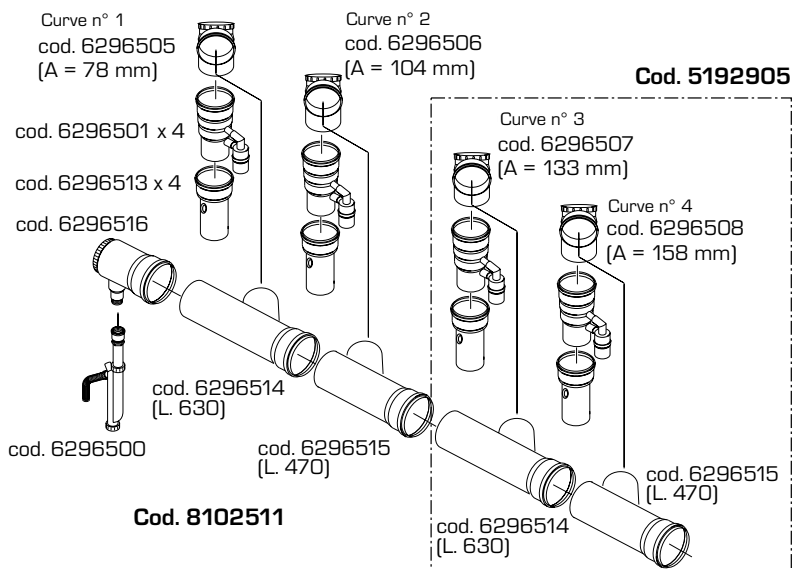
EXHAUST MANIFOLD KIT COD. 8102511
"DEWY EQUIPE 120 BOX"



EXHAUST MANIFOLD KIT COD. 8102512
"DEWY EQUIPE 180 BOX"



EXHAUST MANIFOLD KIT COD. 8102513
"DEWY EQUIPE 240 BOX"



WARNING:
To facilitate exhaust manifold component connections, spread the content of the supplied tube on the gaskets.
Pay attention to the assembly sequence of the curves numbered with variable heights.

ACCESSORY LIST
POLYPROPYLENE ø 160
AVAILABLE OPTIONS:

- Extension L. 500 cod. 8102522
- Extension L. 1000 cod. 8102523
- 45° curve cod. 8102520
- 90° curve cod. 8102521

Fig. 6/c

2.8 SAFETY KIT

Safety kit assembly is mandatory. According to module fixture positions, kit cod. 8101510 can be requested for left side installations and kit cod. 8101511 for right side installations.

The kit is made up of the following components (fig. 7):

- System supply flanged section:
Cod. 6291963 for left-hand fixtures
Cod. 6291964 for right-hand fixtures
- System return flanged section cod. 6291965
- Gaskets, nuts and fastening screws M16
- Thermometer 0-120°C 1/2" cod. 6146004
- 3.5 BAR safety valve cod. 6042203 and drain funnel cod. 6269402
- Safety thermostat 100°C manual reset cod. 6001409
- 4 BAR 1/4" water pressure switch cod. 6037550
- 0-6 BAR 1/4" pressure gauge cod. 6217050, tap cod. 6216606 and lock cod. 6216650.

WARNING:

The safety kit can be inserted in a specific protective case cod. 8101512 supplied separately.

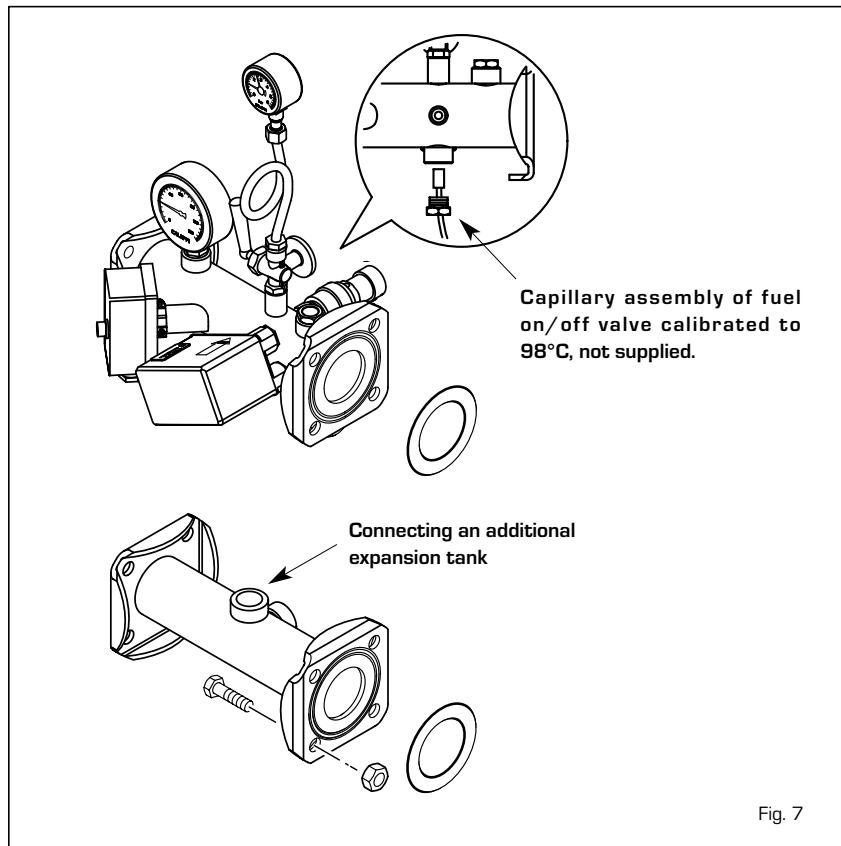


Fig. 7

2.8.1 Electrical sequence/cascade and safety kit connection (fig. 7/a)

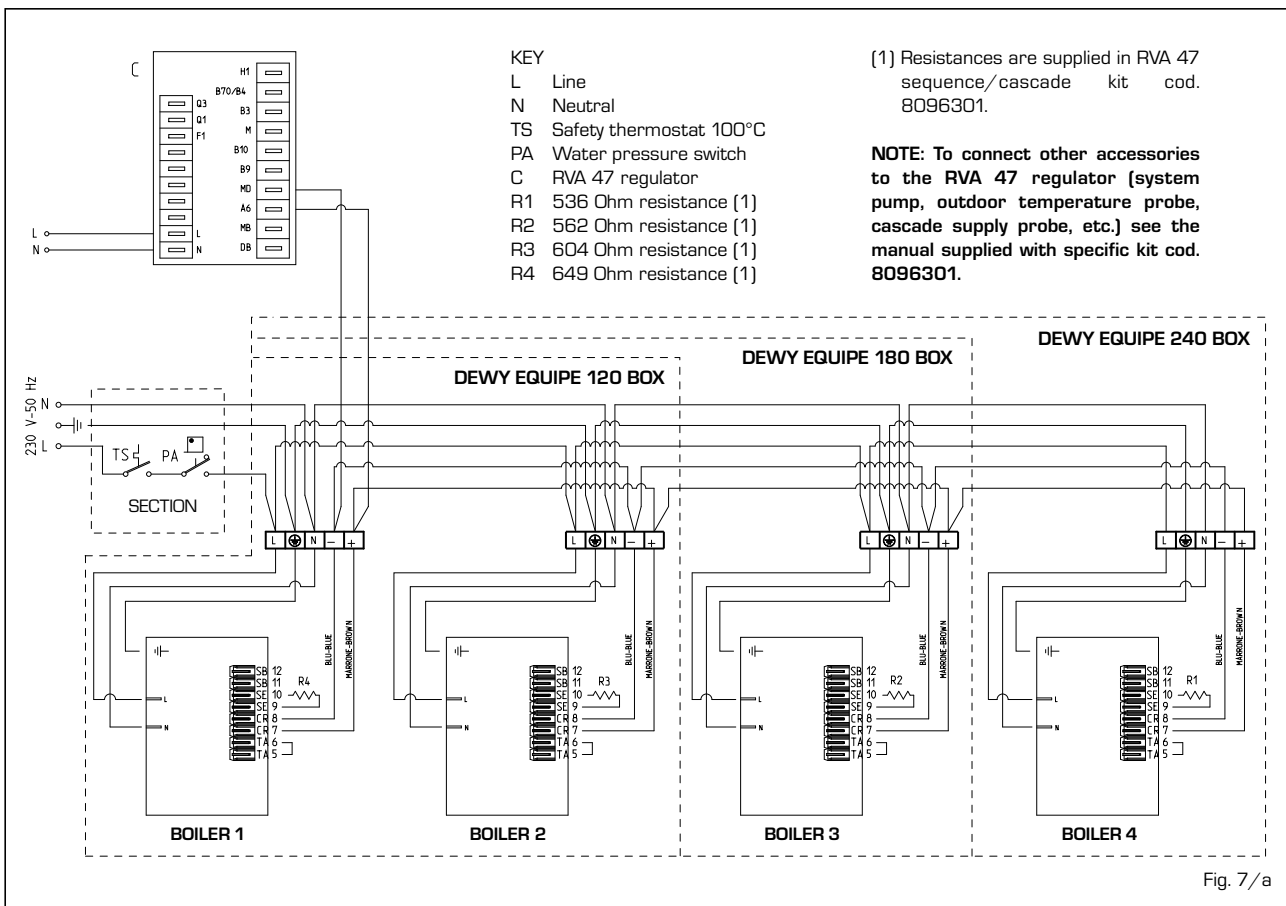


Fig. 7/a

2.9 HYDRAULIC SEPARATOR

The hydraulic separator is supplied with modules in a kit cod. 5196320 complete with gaskets, nuts and fastening screws. A 1/2" L. 50 cod. 5064600 casing is also supplied with the separator and must be assembled as indicated in figure 8.

WARNING:

The hydraulic separator can be inserted in a specific protective case cod. 8101512 supplied separately.

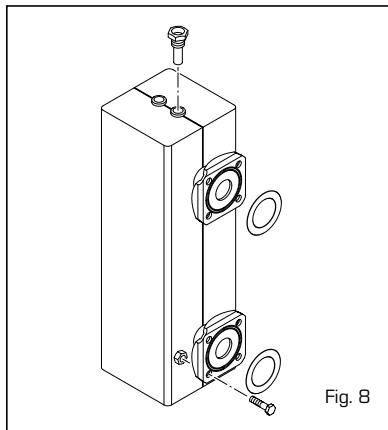


Fig. 8

2.9.1 Load loss

Hydraulic separator load losses are indicated in the diagram in fig. 9.

2.10 ELECTRICAL CONNECTIONS

Each module is supplied with a power cord which, if replacement is required, must be

ordered from SIME.

230V - 50 Hz single phase voltage is required using a fuse protected main switch with at least 3 mm. between contacts. Observe the L - N polarity and grounding connection.

NOTE:

SIME shall not be liable for any damages to persons and things due to lack of boiler grounding.

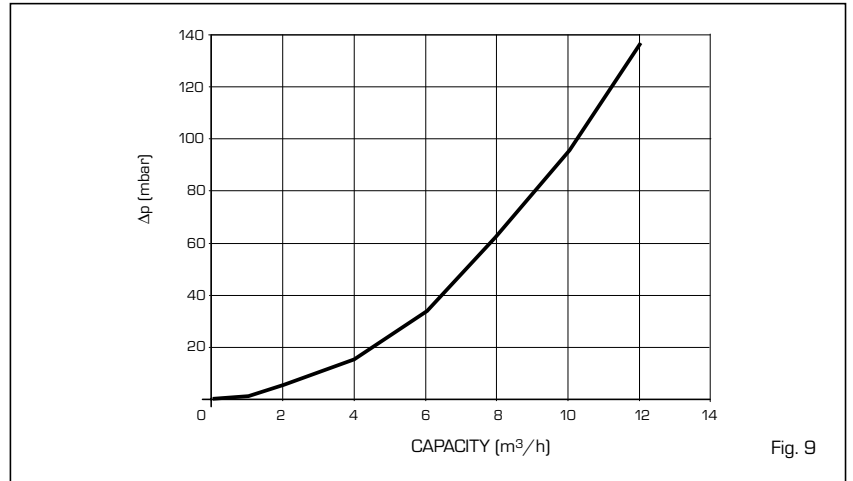


Fig. 9

2.10.1 "DEWY EQUIPE 60 BOX" wiring diagram

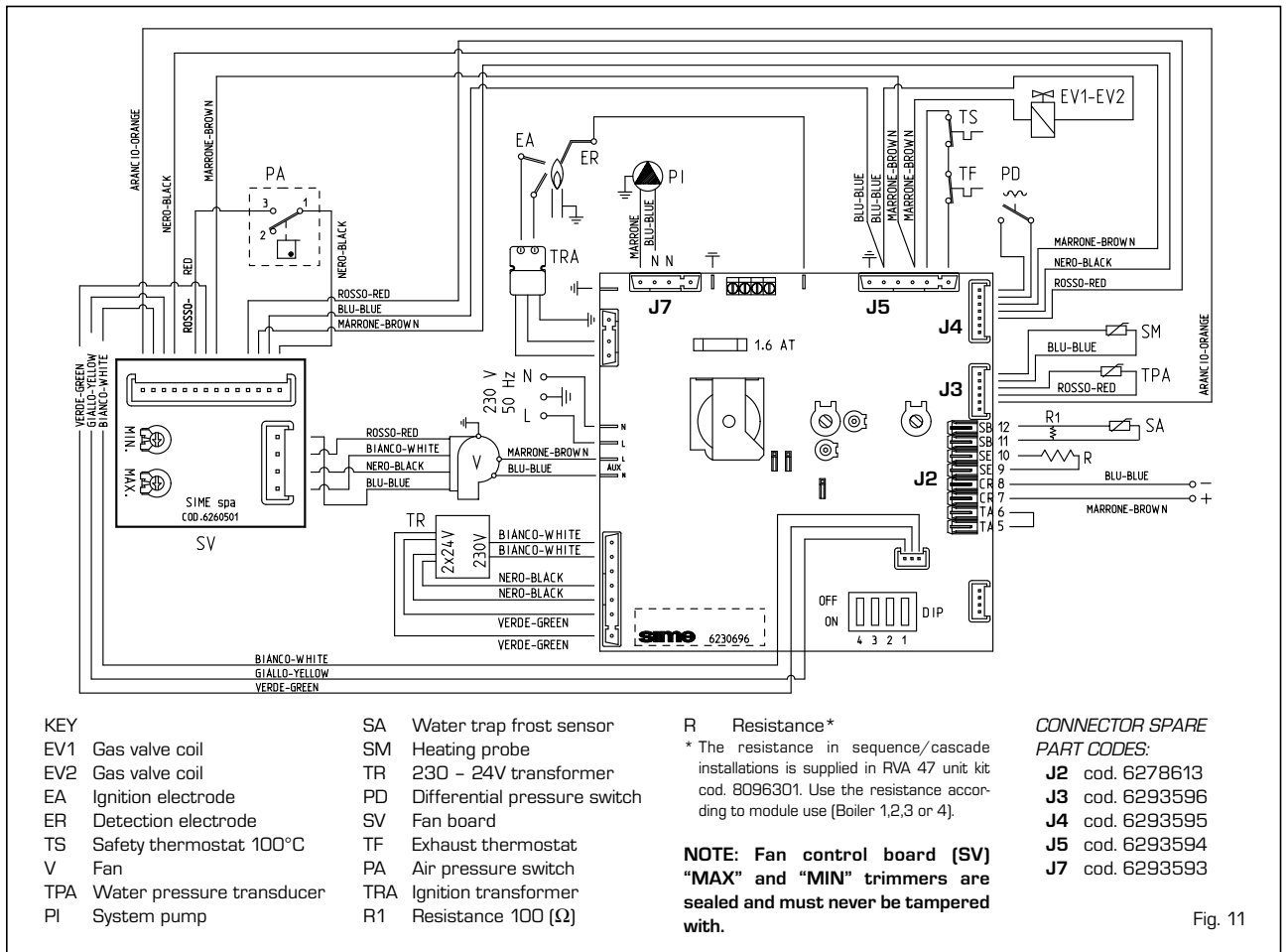


Fig. 11

2.10.2 "DEWY EQUIPE 120-180-240 BOX" sequence/cascade electrical connections

Module are electrically connected to the 6-pole terminal board in the shunt box.
To connect modules and power supply, see diagram in fig. 7/a.

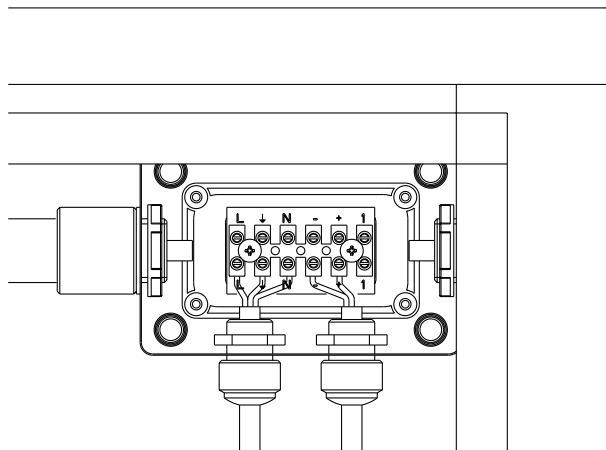


Fig. 12

3 FEATURES

3.1 ELECTRONIC BOARD

Built according to Low Voltage directive CEE 73/23 and powered at 230 Volt, via a transformer it sends 24 Volt power to the following components: gas valve, safety thermostat, heating probe, water pressure transducer and air pressure switch.

An automatic and continual modulation system permits the boiler to adjust power to the various system or user needs.

Electronic components are guaranteed to operate in a temperature range from 0 to +60°C.

3.1.1 Malfunctions

The led that signal errors and/or malfunctions are indicated in fig. 14.

3.1.2 Devices

The electronic board is equipped with the following devices:

- **"POT. RISC." trimmer** (10 fig. 15)
Adjusts maximum heating power:
To increase the value, rotate the trimmer clockwise, to reduce it, rotate the

trimmer counter-clockwise.

- **"POT. ACC." trimmer** (6 fig. 15)
Trimmer to vary the gas valve ignition pressure level (STEP). According to the type of gas the boiler is designed for, the trimmer must be adjusted to achieve a burner pressure of approximately 6.5 mm H₂O for methane gas and 9.5 mm H₂O for propane gas (G31).

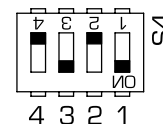
To increase pressure, rotate the trimmer clockwise, to reduce it, rotate the trimmer counter-clockwise. The slow ignition pressure level can be set during the first five seconds after the burner is lit.

After setting the ignition pressure level (STEP) according to the type of gas, make sure that the heating gas pressure is still the previously set value.

- **"ANN. RIT." connector** (5 fig. 15)
The electronic board is programmed, during heating, with a technical burner delay of about 90 seconds that is performed both at cold start and subsequent ignitions. This is to prevent rapid ignitions and shutdowns that could, in particular, occur in systems with high load losses. Each time the boiler restarts, after the slow ignition, for about 1 minute it will run

at minimum modulation pressure before moving to the set heating pressure. The addition of a bridge will cancel both the programmed technical delay and the minimum pressure operating period at ignition. In this case, the time between shutdown and the next ignition will depend on a 5°C differential detected by the heating probe (SM).

- **DIP SWITCH** (13 fig. 15)
For correct module operations, the dip switches must be positioned as indicated below:



- **"Modureg Sel." connector** (14 fig. 15)
The bridge must always be off.
- **"Albatros" connector** (15 fig. 15)
The bridge must always be off.
It is only engaged in sequence/cascade installations with several boilers.

WARNING: All the above operations must be performed by authorised personnel, otherwise the warranty shall be invalidated.

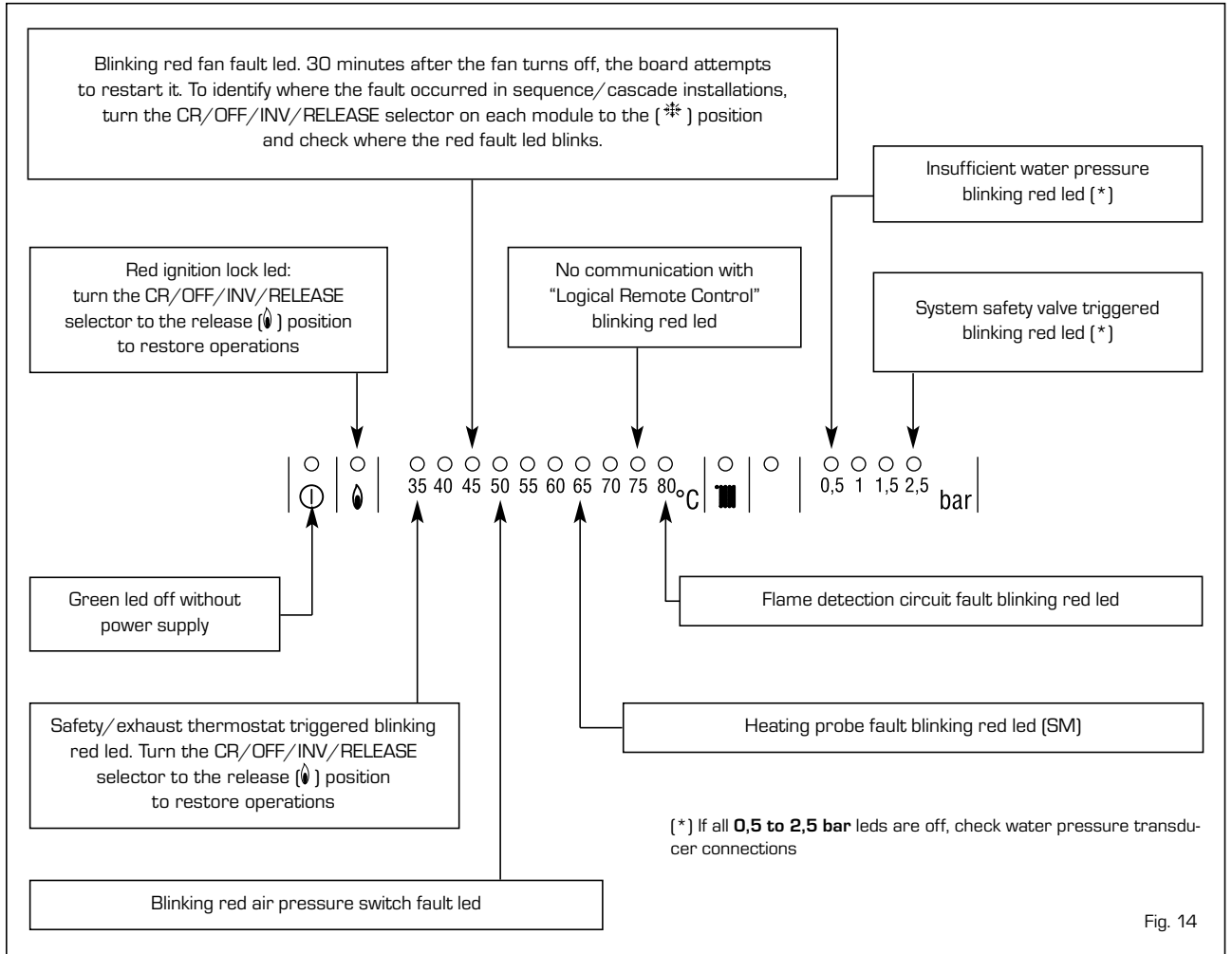


Fig. 14

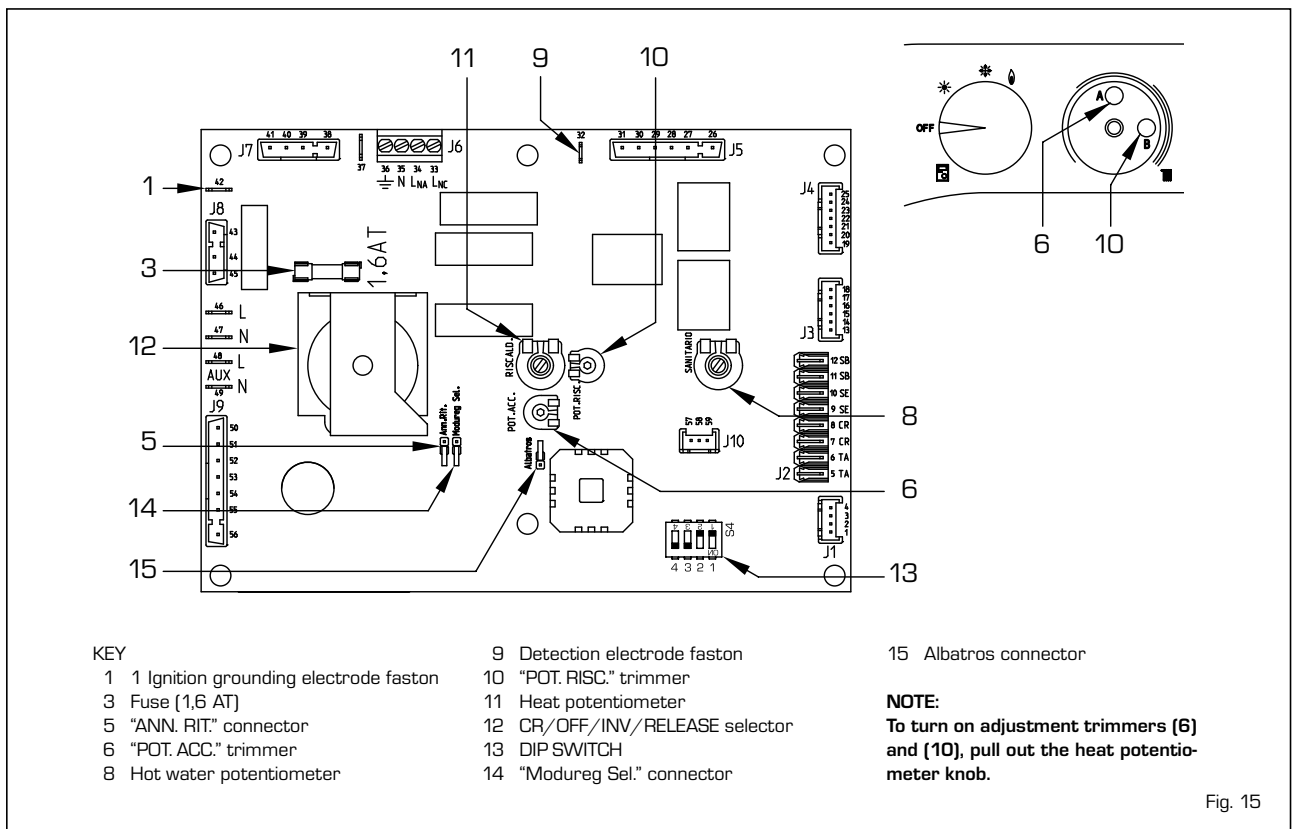


Fig. 15

3.2 TEMPERATURE PROBE AND WATER PRESSURE TRANSDUCER

Antifreeze system made up of the NTC heating sensor that activates when the water temperature reaches 6°C. Tables 1 – 1/a include the resistance values (Ω) that are obtained on the valve when the temperature changes and those on the transducer when pressure changes.

The module does not work when the heating probe (SM) is cut off.

TABLE 1 (Probe)

Temperature (°C)	Resistance (Ω)
20	12.090
30	8.313
40	5.828
50	4.161
60	3.021
70	2.229
80	1.669

TABLE 1/a (Transducer)

Pressure (bar)	Resistance (Ω)	
	min.	max.
0	297	320
0,5	260	269
1	222	228
1,5	195	200
2	167	173
2,5	137	143
3	108	113
3,5	90	94

3.3 ELECTRONIC IGNITION

Flame detection ignition is controlled by two electrodes that guarantee maximum safety with intervention time, for accidental shut-downs or no gas, within 1 second.

3.3.1 Operating cycle

Rotate the selector to summer or winter and check the green led (Ⓢ) to make sure power is on. The burner should ignite within max. 10 seconds. Failed ignition consequently lighting the appliance block signal may occur due to the following:

- Ignition electrode does not spark

Only gas is supplied to the boiler and, after 10 sec., the block led turns on.

It may be caused by the fact that the electrode is cut-off or is not secured in the ignition transformer terminal.

- No flame detection

At ignition, the electrode continues to spark even though the burner is on. After 10 sec. it stops sparking, the burner turns off and the block led turns on.

The detection electrode wire is cut-off or the electrode is grounded; the electrode is worn and requires replacement. The electronic board is defective.

A sudden blackout immediately turned off

the burner, when power is restored, the boiler will automatically start.

3.4 AIR PRESSURE SWITCH

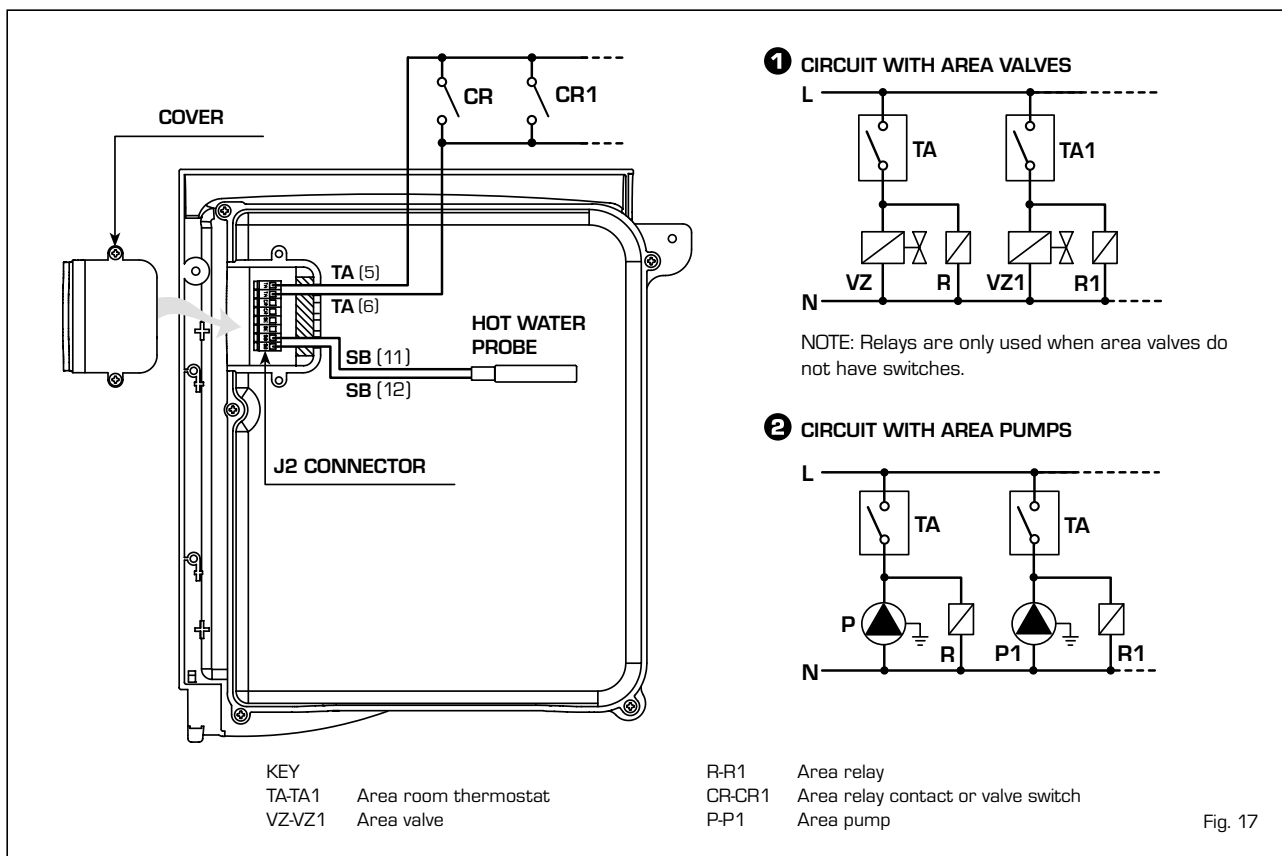
The pressure switch signal value is measured by a specific tool connected to the positive and negative pressure fixtures.

The pressure switch is factory set to 35-45 Pa.

3.5 AREA SYSTEM ELECTRICAL CONNECTIONS

For the "DEWY EQUIPE 60 BOX" heat module use a separate electrical line where the room thermostats with relevant area valves or pumps must be connected.

Switch or relay contacts must be connected to the electronic board connector (J2) after removing the existent bridge (fig. 17).

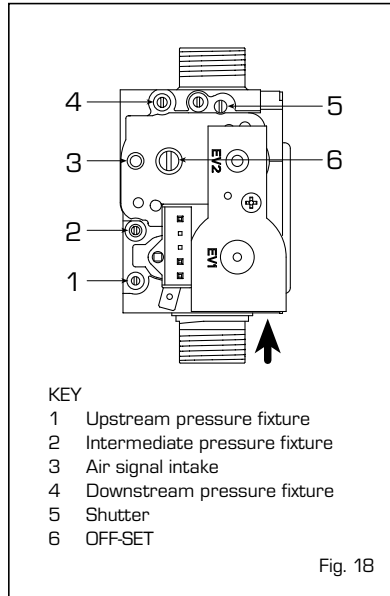


4 USE AND MAINTENANCE



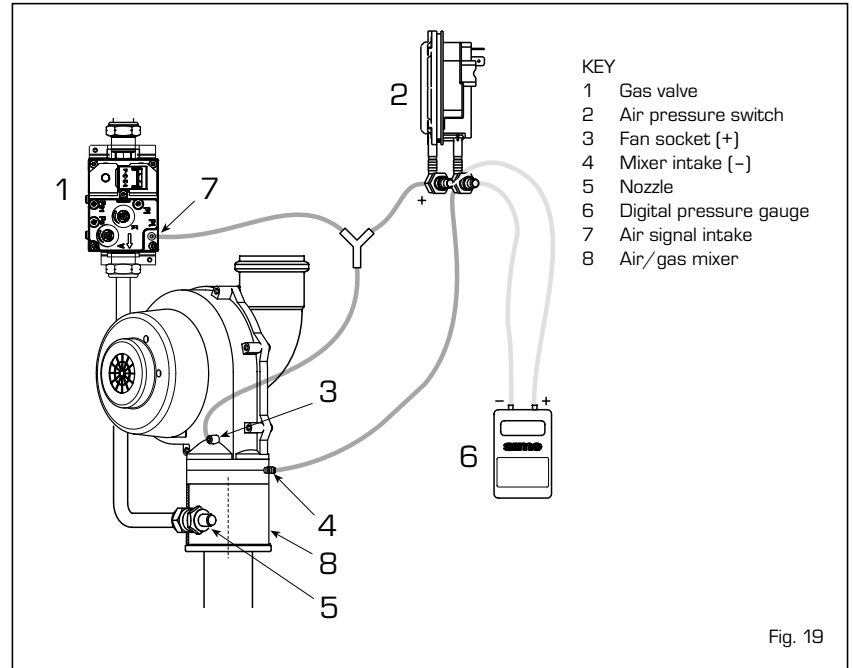
4.1 GAS VALVE

Each single module is mass produced with gas valve model SIT 848 SIGMA (fig. 18).



4.2 SINGLE MODULE HEAT POWER ADJUSTMENT

To adjust heating power by changing the



58 kW factory setting, use a screwdriver on the heat power trimmer (10 fig. 15). To increase operating pressure, rotate the trimmer clockwise, to reduce it, rotate the trimmer counter-clockwise.

Single module power settings can be checked by observing the hour-counter

and comparing its value to **Table 2 - 2/a**; or "Δp air" can be measured with a digital pressure gauge connected as indicated in fig. 19.

The values must be compared with those in **Table 2 - 2/a**.

TABLE 2 - G20

Variable heat power		Δp air *		Gas flow**
(80-60°C)	(50-30°C)	(80-60°C)	(50-30°C)	
kW	kW	mm H ₂ O	mm H ₂ O	m ³ /h
16,8	18,2	6,6	6,7	1,84
26,4	28,7	9,7	9,9	2,89
36,9	40,2	19,8	20,5	4,01
47,4	51,7	36,8	38,3	5,13
57,0	62,2	58,2	60,7	6,14

* "Δp air" is measured with the boiler on using a differential pressure gauge connected to the fan sockets.

** Gas flow is referred to lower heat strength in standard 15°C and 1013 mbar conditions.

TABLE 2/a - G31

Variable heat power		Δp air *		Gas flow**
(80-60°C)	(50-30°C)	(80-60°C)	(50-30°C)	
kW	kW	mm H ₂ O	mm H ₂ O	kg/h
22,4	24,3	10,2	10,9	0,95
26,2	28,5	10,8	11,5	1,11
36,7	39,9	19,1	19,6	1,54
47,3	51,6	36,9	36,8	1,98
57,0	62,2	61,1	60,2	2,37

* "Δp air" is measured with the boiler on using a differential pressure gauge connected to the fan sockets.

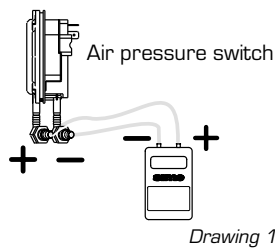
** Gas flow is referred to lower heat strength in standard 15°C and 1013 mbar conditions.

4.3 SINGLE MODULE CALIBRATIONS

Single modules are calibrated in heating position.

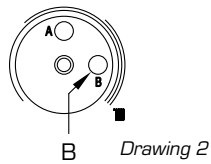
" Δp air" ADJUSTMENT

To measure " Δp air" simply connect the differential pressure gauge, equipped with a decimal scale in mm or Pascal, to the positive and negative sockets on the air pressure switch (Drawing 1).



Operating sequence:

1) Rotate the module heating power adjustment trimmer clockwise to the limit (B - Drawing 2); fan on maximum.



2) Find the "max Δp air" values in the table, using the fan board "MAX" trimmer (Drawing 3).

Max. Δp air

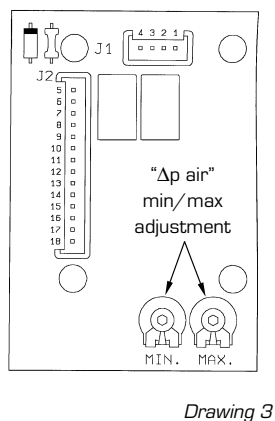
Single module	
Met. (G20)	66,4
Prop. (G31)	73,6

3) Rotate the module heating power adjustment trimmer counter-clockwise to the limit (B - Drawing 2); fan on minimum.

4) Find the "min Δp air" values in the table, using the fan board "MIN" trimmer (Drawing 3).

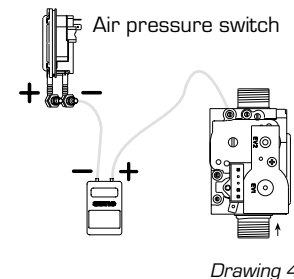
Min. Δp air

Single module	
Met. (G20)	7,1
Prop. (G31)	12,0



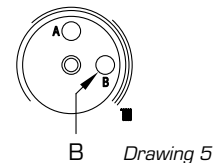
" Δp air-gas" ADJUSTMENT

To measure " Δp air-gas" simply connect the positive socket on the differential pressure gauge to the valve gas intake and the negative socket to the air pressure switch (Drawing 4).

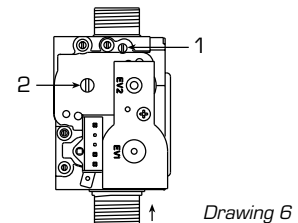


Operating sequence:

1) Rotate the module heating power adjustment trimmer counter-clockwise to the limit (B - Drawing 5); fan on minimum.



2) Completely unscrew the valve gas shutter (1 - Drawing 6).



3) Use the gas valve OFF-SET adjustment screw (1 - Drawing 6) and find the " Δp air-gas" value in the table.

Shutter open

Single module	
Methane (G20)	5,8
Propane (G31)	10,8

4) Use the shutter (1 - Drawing 6) and find the " Δp air-gas" value in the table:

Adjusted shutter

Single module	
Methane (G20)	5,0
Propane (G31)	9,8

After calibrations, check the CO₂ values with a combustion analyser. If they deviate more than 0.2 from the table values, the following corrections must be made:

	CO ₂	
	Methane (G20)	Propane (G31)
"MIN" Power	9,0	10,0
"MAX" Power	9,0	10,0

- To correct CO₂ to the "MIN" power, use the OFF-SET screw (2 - Drawing 6).
- To correct CO₂ to the "MAX" power, use the shutter (1 - Drawing 6).

Fig. 20

IT

ES

4.4 CLEANING AND MAINTENANCE



GB

Scheduled generator maintenance must be performed annually by authorised technicians.

FR

BE

4.4.1 Chimney sweep function

To check single module combustion, rotate the selector to position () until the yellow led () starts to blink (fig. 21).

At this time the module will start to heat at maximum power and turn off at 80°C, restarting at 70°C.

Before starting the chimney sweep function, make sure the radiator valves or any other area valves are open.

After checking combustion, turn off the module by rotating the selector to (OFF); return the selector to the required function.

WARNING:

After about 15 minutes the chimney sweep function automatically turns off.

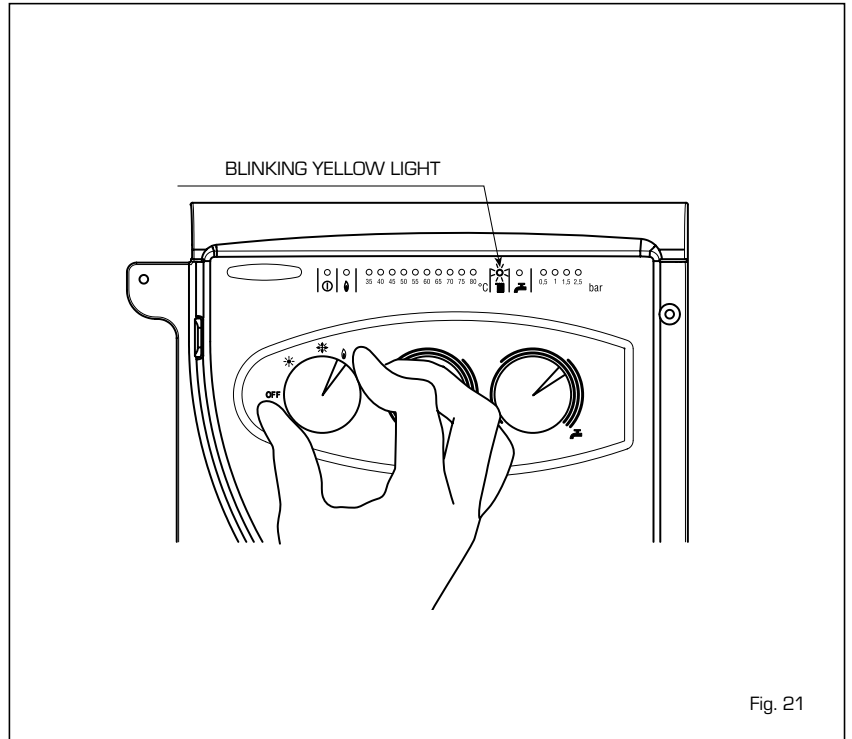


Fig. 21

WARNINGS

- In the event of appliance fault or malfunctions, turn it off and do not attempt to directly repair it. Only contact authorised technicians.
- Generator installation and any other service or maintenance must be performed by qualified personnel. It is strictly forbidden to tamper with devices sealed by the manufacturer.
- It is strictly forbidden to obstruct the vents and room vents where the appliance is installed.

IGNITION AND OPERATIONS

“DEWY EQUIPE 60 BOX” SINGLE MODULE IGNITION (fig. 1)

Open the gas tap and turn on the module by rotating the selector knob to winter (❄️).

The green led (Ⓛ) turn on to indicate that power is on.

The generator, once the temperature set on the potentiometer is reached, will start automatic operations to provide the system with the required power.

“DEWY EQUIPE 60 BOX” SINGLE MODULE SHUTDOWN (fig. 1)

To turn off the generator, turn the selector knob to (OFF).

For prolonged periods of disuse, disconnect the power supply, close the gas tap and, in the event of low temperatures, empty the generator and hydraulic system to prevent pipes from bursting due to frozen water.

“DEWY EQUIPE 60 BOX” SINGLE MODULE ADJUSTMENT (fig. 2)

Heating temperature is adjusted using the heating knob (⌘).

The set temperature is indicated on the red led scale from 35÷80°C and the yellow heating led (⌘) turns on simultaneously.

If the water return temperature is lower than about 55° C, combustion product condensates further increasing heat exchange efficiency.

GAS TRANSFORMATION

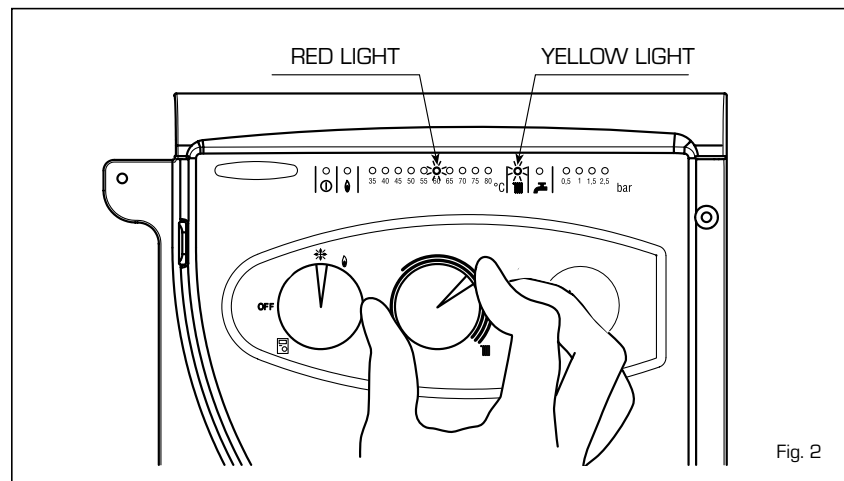
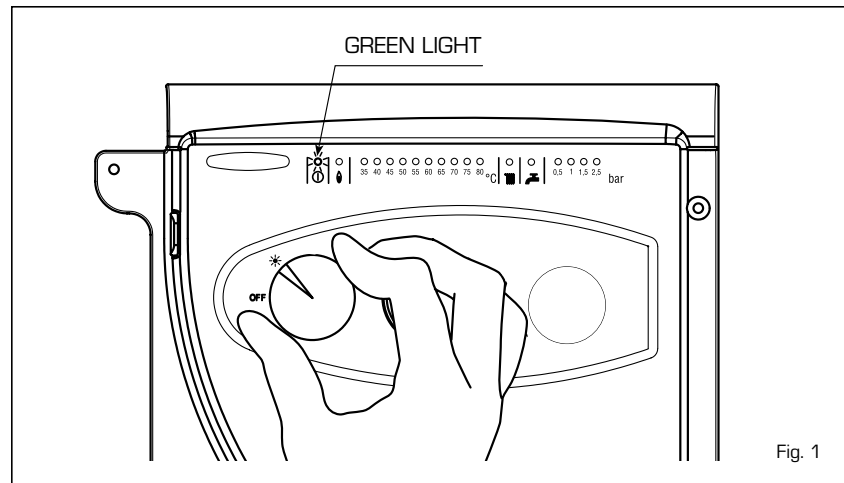
Only contact authorised technicians if transformation to another gas is required.

CLEANING AND MAINTENANCE

Scheduled generator maintenance must be performed annually by authorised

technicians.

The boiler is supplied with a power cord which, if replacement is required, must be ordered from SIME.



**“DEWY EQUIPE 60 BOX”
SINGLE MODULE MALFUNCTIONS**

- **Ignition lock** (fig. 3)
If the burner does not light the red led (☹) turns on. To attempt ignition again, rotate the selector knob to (☹) and release it immediately after returning it to winter operations (❄).
If it locks again, request an authorised service control.
- **Insufficient water pressure** (fig. 4)
If the “0.5 bar” red light blinks, the module does not work. To restore operations, fill the system until the green “1 bar” led turns on. If all leds are off, request an authorised service call.
- **Safety/exhaust thermostat triggered** (fig. 5)
If the safety/exhaust thermostat triggers the red “35°C” led blinks.
To attempt ignition again, rotate the selector knob to (☹) and release it immediately after returning it to winter operations (❄).
If it locks again, request an authorised service control.
- **Other faults** (fig. 6)
When one of the red “40÷80°C” leds blinks, turn off the generator and attempt ignition again.
This operation can be repeated 2-3 times at most, in the event of failure, request an authorised service call.

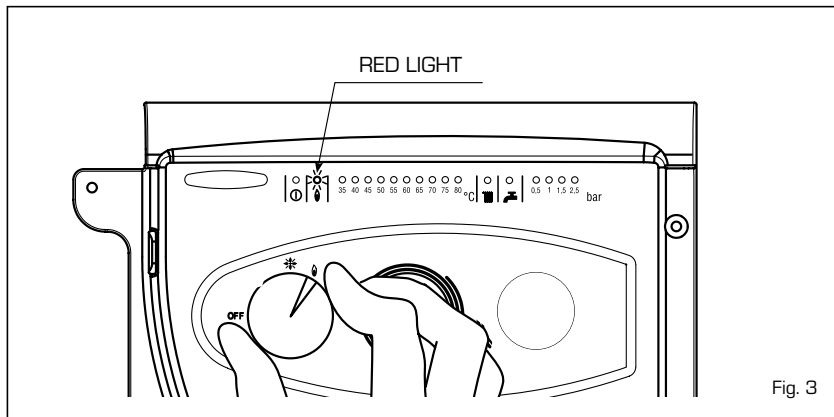


Fig. 3

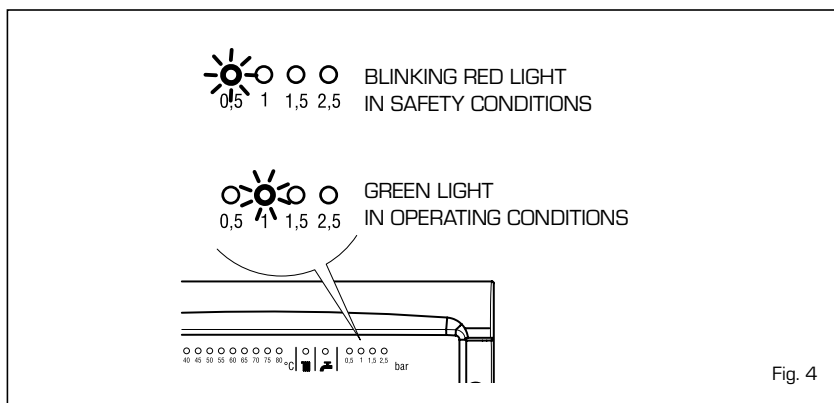


Fig. 4

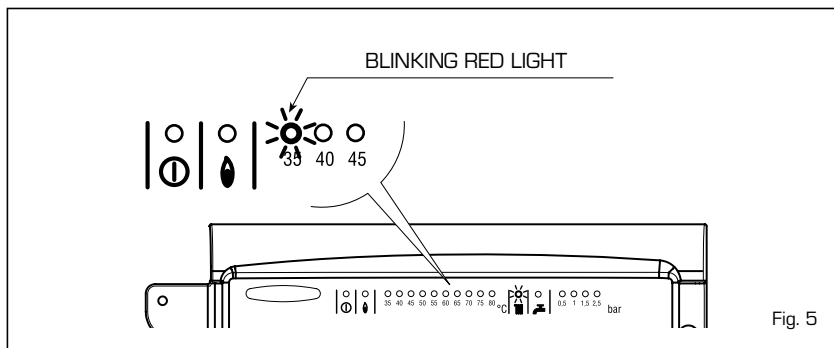


Fig. 5

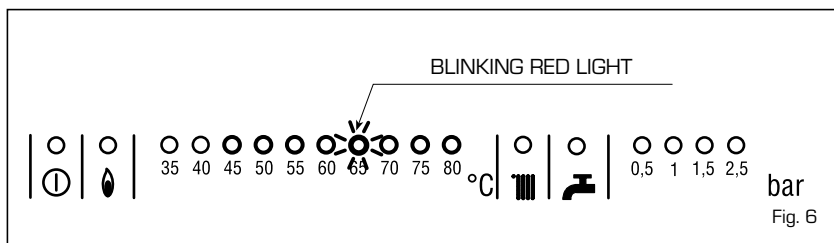


Fig. 6

“DEWY EQUIPE 60-120-180-240 BOX”

ALL “DEWY EQUIPE 60-120-180-240 BOX” HEAT MODULE FUNCTIONS CAN BE MANAGED FROM THE RVA 47.320 REGULATOR EQUIPPED WITH USE INSTRUCTIONS MANUAL.

WARNING: WHEN THESE MODULES ARE CONNECTED TO THE RVA 47.320 REGULATOR, THE “CR/OFF/INV/RELEASE SELECTOR MUST BE POSITIONED AS INDICATED IN FIG. 7.

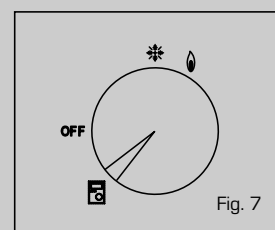


Fig. 7

IT

ES

GB

FR

BE