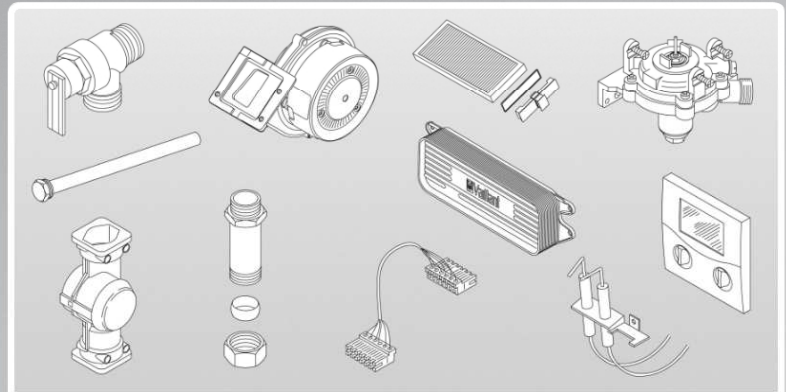


Wall-hung boilers



ecoTEC plus

- VU 126/6-5 OV (plus 412)
- VU 156/6-5 OV (plus 415)
- VU 186/6-5 OV (plus 418)
- VU 246/6-5 OV (plus 424)
- VU 306/6-5 OV (plus 430)

0020223106_01 GB 10/2015

Content

General view of sheet	VU 126/6-5 OV (plus 412), VU 156/6-5 OV (plus 415), VU 186/6-5 OV (plus 418), VU 246/6-5 OV (plus 424), VU 306/6-5 OV (plus 430)	Page 3
04 Burner, Heat exchanger		Page 4
07 Casing parts		Page 8
08 Connection parts		Page 10
08c Hydraulic connection parts		Page 12
12 Control panel		Page 14
Notes		Page 16

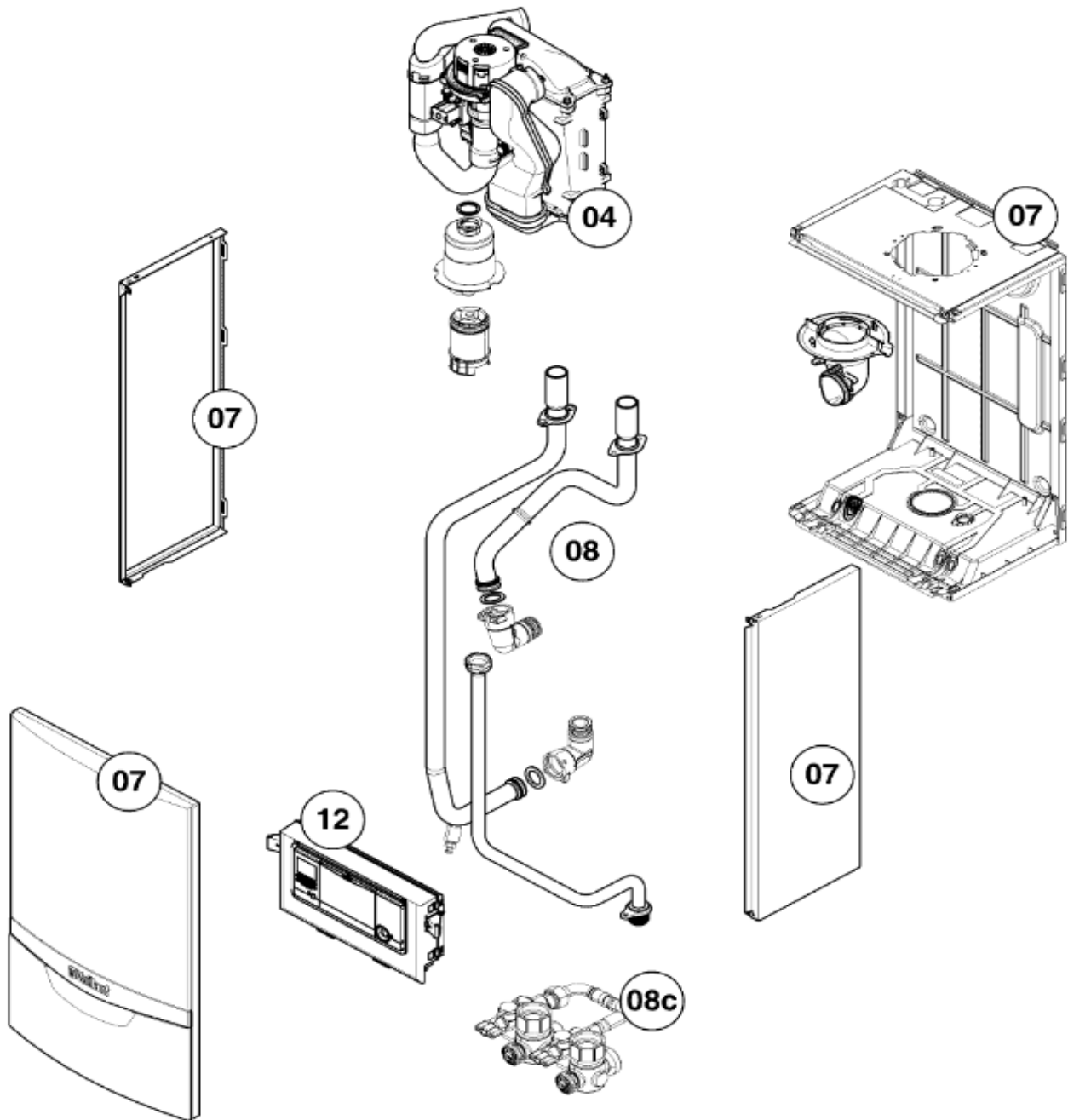
In order to maintain the safe and efficient operation of this appliance, only genuine Vaillant spare parts must be used.

Subject to alteration !

Attention: Please take the gross price from the valid price list !

General view of sheet

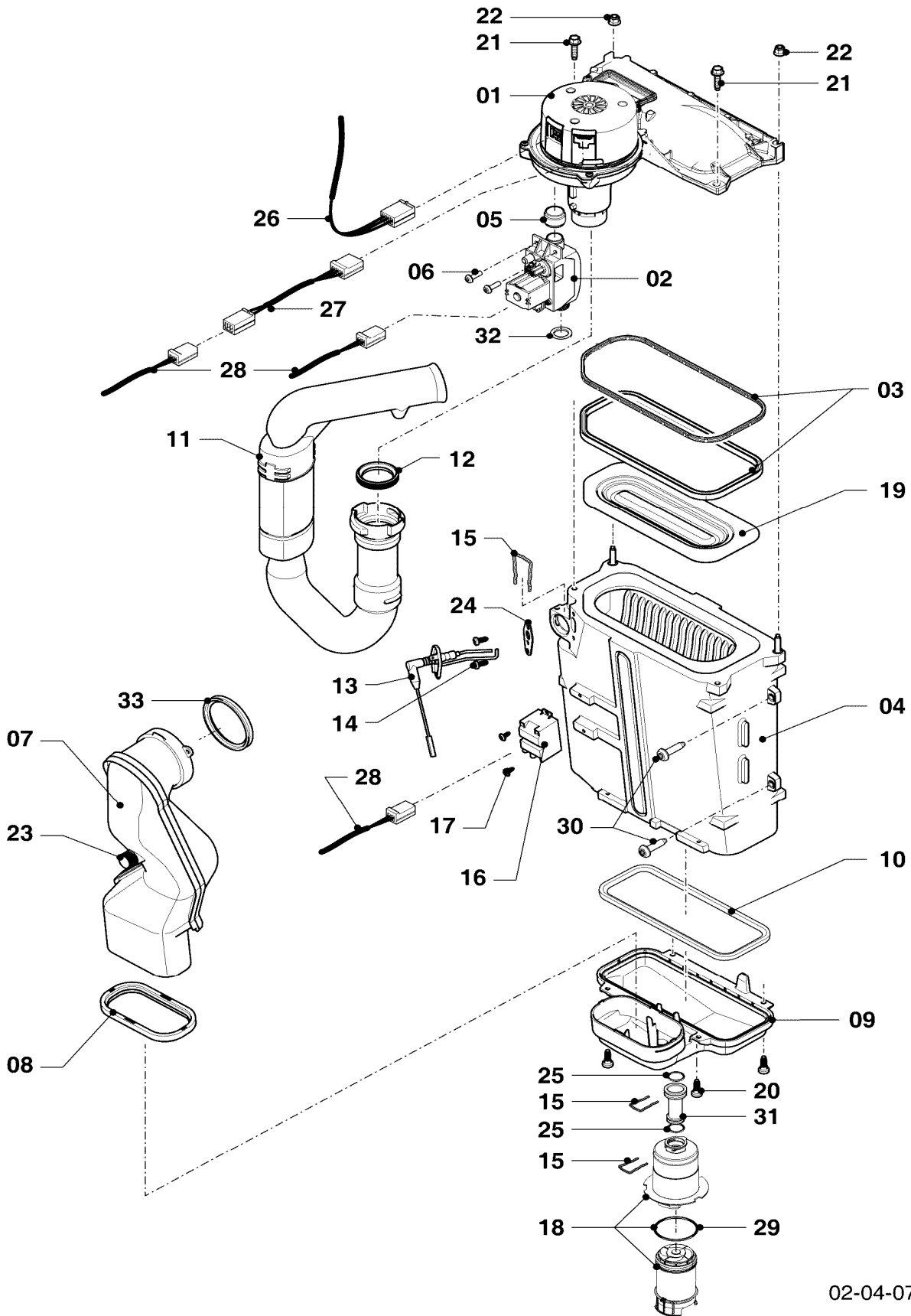
VU 126/6-5 OV (plus 412), VU 156/6-5 OV (plus 415), VU 186/6-5 OV (plus 418), VU 246/6-5 OV (plus 424),
VU 306/6-5 OV (plus 430)



02-00-132

04 Burner, Heat exchanger

VU 126/6-5 OV (plus 412), VU 156/6-5 OV (plus 415), VU 186/6-5 OV (plus 418), VU 246/6-5 OV (plus 424),
 VU 306/6-5 OV (plus 430)



02-04-074

04 Burner, Heat exchanger

VU 126/6-5 OV (plus 412), VU 156/6-5 OV (plus 415), VU 186/6-5 OV (plus 418), VU 246/6-5 OV (plus 424),
VU 306/6-5 OV (plus 430)

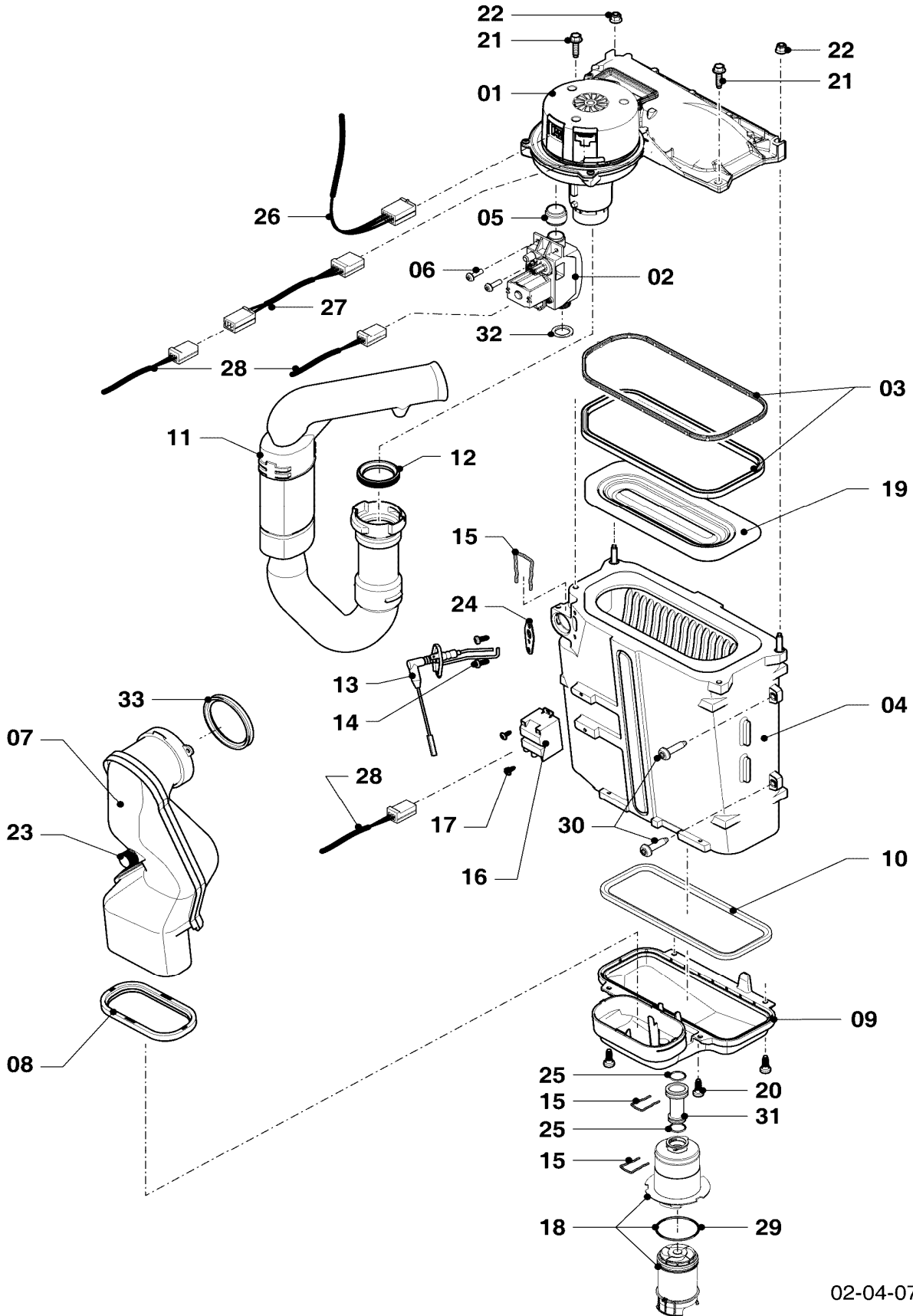
Pos.	Art.-No	Part	Type, note
		0204074	
01	0020195453	Fan, with combustion chamber cover	VU 126/6-5 OV (plus 412), with parts 03, 05, 06, 12, 21, 22, 32
01	0020195453	Fan, with combustion chamber cover	VU 156/6-5 OV (plus 415), with parts 03, 05, 06, 12, 21, 22, 32
01	0020195454	Fan, with combustion chamber cover	VU 186/6-5 OV (plus 418), with parts 03, 05, 06, 12, 21, 22, 32
01	0020195456	Fan, with combustion chamber cover	VU 246/6-5 OV (plus 424), with parts 03, 05, 06, 12, 21, 22, 32
01	0020195457	Fan, with combustion chamber cover	VU 306/6-5 OV (plus 430), with parts 03, 05, 06, 12, 21, 22, 32
02	0020195458	Gas control valve (-5Pa)	with parts 05, 06, 32
03	0020195459	Gasket, combustion chamber cover	with parts 21, 22, 32
04	0020195460	Heat exchanger	VU 126/6-5 OV (plus 412), with parts 03, 08, 09, 10, 12, 14, 15, 17, 20, 21, 22, 24, 25, 30
04	0020195460	Heat exchanger	VU 156/6-5 OV (plus 415), with parts 03, 08, 09, 10, 12, 14, 15, 17, 20, 21, 22, 24, 25, 30
04	0020195460	Heat exchanger	VU 186/6-5 OV (plus 418), with parts 03, 08, 09, 10, 12, 14, 15, 17, 20, 21, 22, 24, 25, 30
04	0020195460	Heat exchanger	VU 246/6-5 OV (plus 424), with parts 03, 08, 09, 10, 12, 14, 15, 17, 20, 21, 22, 24, 25, 30
04	0020195461	Heat exchanger	VU 306/6-5 OV (plus 430), with parts 03, 08, 09, 10, 12, 14, 15, 17, 20, 21, 22, 24, 25, 30
05	0020195462	Gasket	
06	0020195473	Screw, (PK10)	
07	0020195474	Flue pipe	VU 126/6-5 OV (plus 412), with parts 08, 23, 33
07	0020195474	Flue pipe	VU 156/6-5 OV (plus 415), with parts 08, 23, 33
07	0020195474	Flue pipe	VU 186/6-5 OV (plus 418), with parts 08, 23, 33
07	0020195474	Flue pipe	VU 246/6-5 OV (plus 424), with parts 08, 23, 33
07	0020195475	Flue pipe	VU 306/6-5 OV (plus 430), with parts 08, 23, 33
08	0020195476	Gasket	
09	0020195478	Condensate drain	with parts 08, 10, 15, 20, 25, 30
10	0020195479	Gasket, Condensate drain	with parts 08, 15, 20, 25, 30
11	0020195480	Air inlet duct	with part 12
12	0020135149	Gasket air inlet duct	
13	0020195481	Electrode (ignition and sensing)	with parts 14, 24
14	0020195482	Screw, (PK10)	
15	178992	Clip (PK10)	
16	091258	Ignitor	
17	0020195483	Screw, (PK10)	
18	0020195484	Siphon	with parts 15, 25, 29
19	0020195487	Burner	with parts 03, 21, 22, 32
20	0020195488	Screw, (PK10)	
21	0020195489	Screw, (PK10)	
22	0020026537	Nut M6 (PK5)	
23	0020195490	Cap (PK5)	
24	0020195491	Gasket, Electrode	
25	0020195504	O-ring, (PK10)	
26	-	-	VU 126/6-5 OV (plus 412), not for this appliance
26	-	-	VU 156/6-5 OV (plus 415), not for this appliance
26	-	-	VU 186/6-5 OV (plus 418), not for this appliance
26	-	-	VU 246/6-5 OV (plus 424), not for this appliance
26	0020195608	Wiring harness, Fan	VU 306/6-5 OV (plus 430)
27	-	-	VU 126/6-5 OV (plus 412), not for this appliance
27	-	-	VU 156/6-5 OV (plus 415), not for this appliance
27	-	-	VU 186/6-5 OV (plus 418), not for this appliance
27	-	-	VU 246/6-5 OV (plus 424), not for this appliance
27	0020195581	Wiring harness	VU 306/6-5 OV (plus 430)

Subject to alteration !

Attention: Please take the gross price from the valid price list !

04 Burner, Heat exchanger

VU 126/6-5 OV (plus 412), VU 156/6-5 OV (plus 415), VU 186/6-5 OV (plus 418), VU 246/6-5 OV (plus 424),
 VU 306/6-5 OV (plus 430)



02-04-074

04 Burner, Heat exchanger

VU 126/6-5 OV (plus 412), VU 156/6-5 OV (plus 415), VU 186/6-5 OV (plus 418), VU 246/6-5 OV (plus 424),
VU 306/6-5 OV (plus 430)

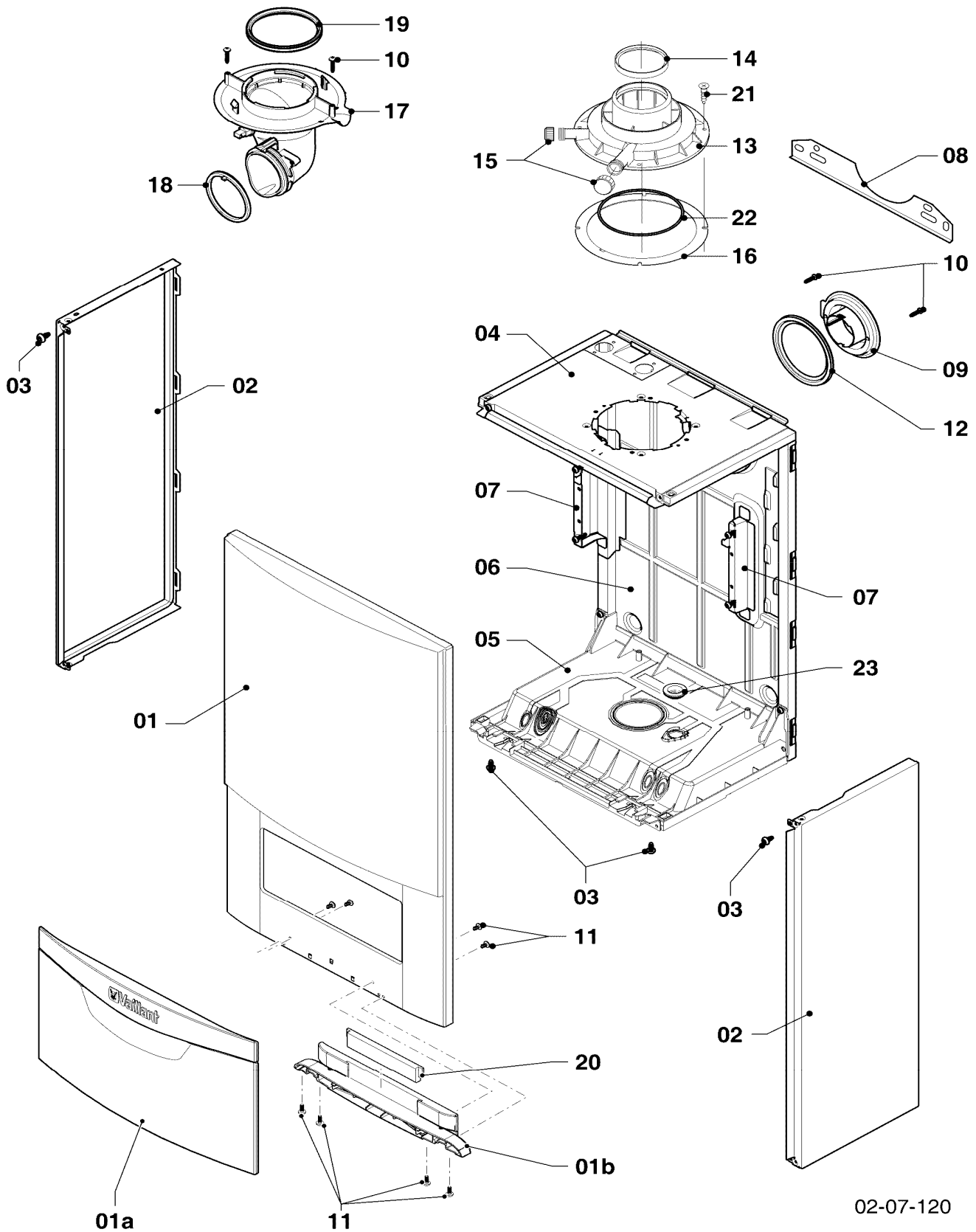
Pos.	Art.-No	Part	Type, note
		0204074	
28	0020195505	Wiring harness, heat engine	
29	0020195539	O-ring	
30	0020195593	Screw, (PK10)	
31	0020195609	Adapter, Siphon OV	VU 126/6-5 OV (plus 412), with parts 15, 25
31	0020195609	Adapter, Siphon OV	VU 156/6-5 OV (plus 415), with parts 15, 25
31	-	-	VU 186/6-5 OV (plus 418), not for this appliance
31	-	-	VU 246/6-5 OV (plus 424), not for this appliance
31	-	-	VU 306/6-5 OV (plus 430), not for this appliance
32	108588	Sealing ring (PK10)	
33	0020195477	Gasket	

Subject to alteration !

Attention: Please take the gross price from the valid price list !

07 Casing parts

VU 126/6-5 OV (plus 412), VU 156/6-5 OV (plus 415), VU 186/6-5 OV (plus 418), VU 246/6-5 OV (plus 424),
VU 306/6-5 OV (plus 430)



02-07-120

07 Casing parts

VU 126/6-5 OV (plus 412), VU 156/6-5 OV (plus 415), VU 186/6-5 OV (plus 418), VU 246/6-5 OV (plus 424),
VU 306/6-5 OV (plus 430)

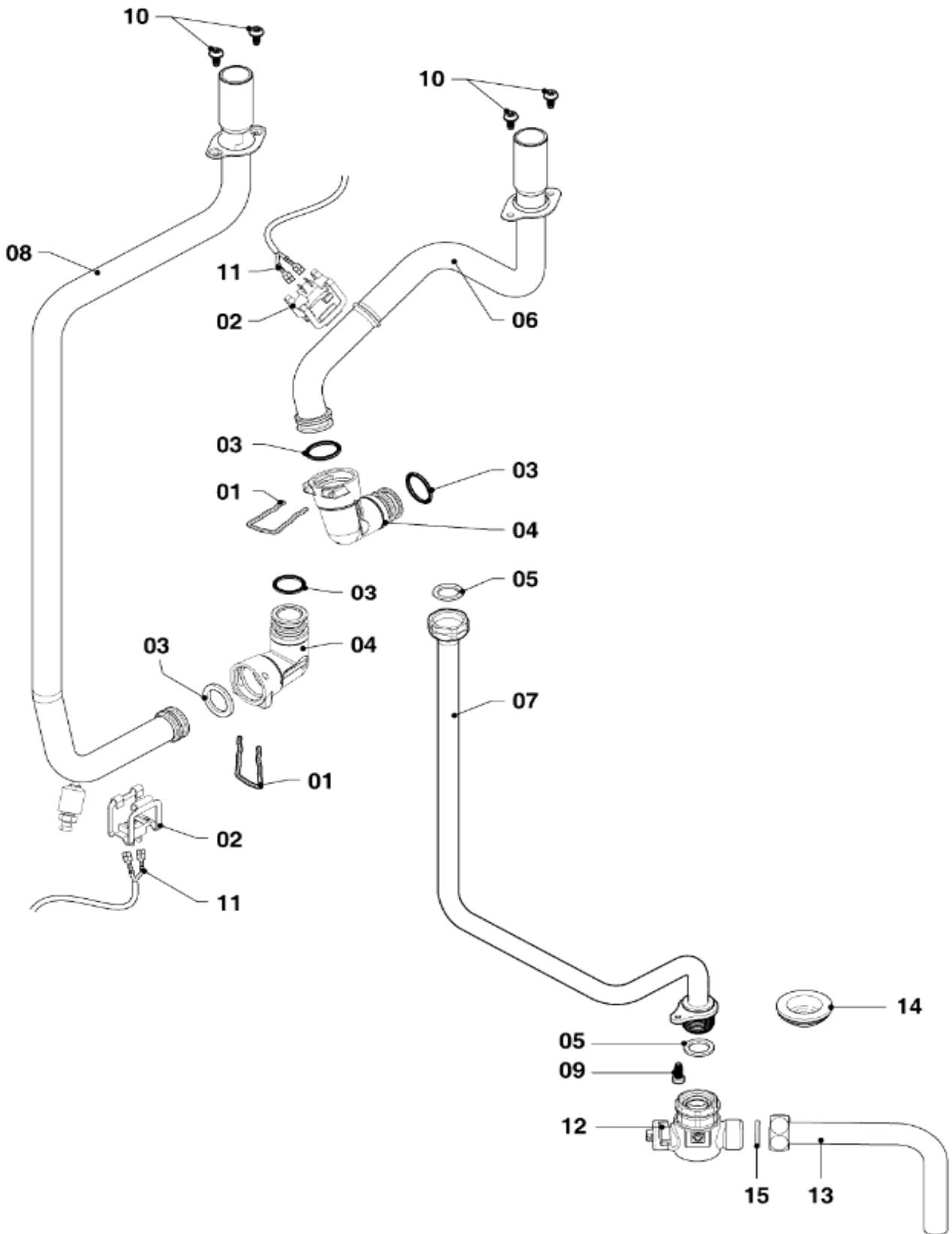
Pos.	Art.-No	Part	Type, note
		0207120	
01	0020195626	Front panel	with parts 1a, 1b, 03, 11
01a	0020195627	Flap	with parts 1b, 11
01b	0020195628	Hinge	with part 11
02	0020195629	Side panel	with part 03
03	0020073877	Screw (PK10)	
04	-	-	cannot be delivered as spare part
05	-	-	cannot be delivered as spare part
06	-	-	cannot be delivered as spare part
07	-	-	cannot be delivered as spare part
08	0020211084	Support	
09	0020197017	Cover plate	with parts 10, 12
10	0020195503	Screw, (PK10)	
11	193538	Screw (PK10)	
12	0020211085	Gasket	
13	0020144596	Adapter, 60/100	with parts 14, 15, 16, 21, 22
14	981233	Lip seal EPDM (DN 60)	
15	0020195490	Cap (PK5)	
16	-	-	not available as spare part, see pos. no. 13
17	0020195485	Adapter, flue gas	with parts 10, 18, 19
18	0020195477	Gasket	
19	981227	Sealing ring EPDM (DN 80)	
20	0020211086	Plate, ecoTEC plus	
21	0020198239	Screw, (PK10)	
22	981227	Sealing ring EPDM (DN 80)	
23	509120	Gasket (PK10)	

Subject to alteration !

Attention: Please take the gross price from the valid price list !

08 Connection parts

VU 126/6-5 OV (plus 412), VU 156/6-5 OV (plus 415), VU 186/6-5 OV (plus 418), VU 246/6-5 OV (plus 424),
VU 306/6-5 OV (plus 430)



02-08-216

08 Connection parts

VU 126/6-5 OV (plus 412), VU 156/6-5 OV (plus 415), VU 186/6-5 OV (plus 418), VU 246/6-5 OV (plus 424),
VU 306/6-5 OV (plus 430)

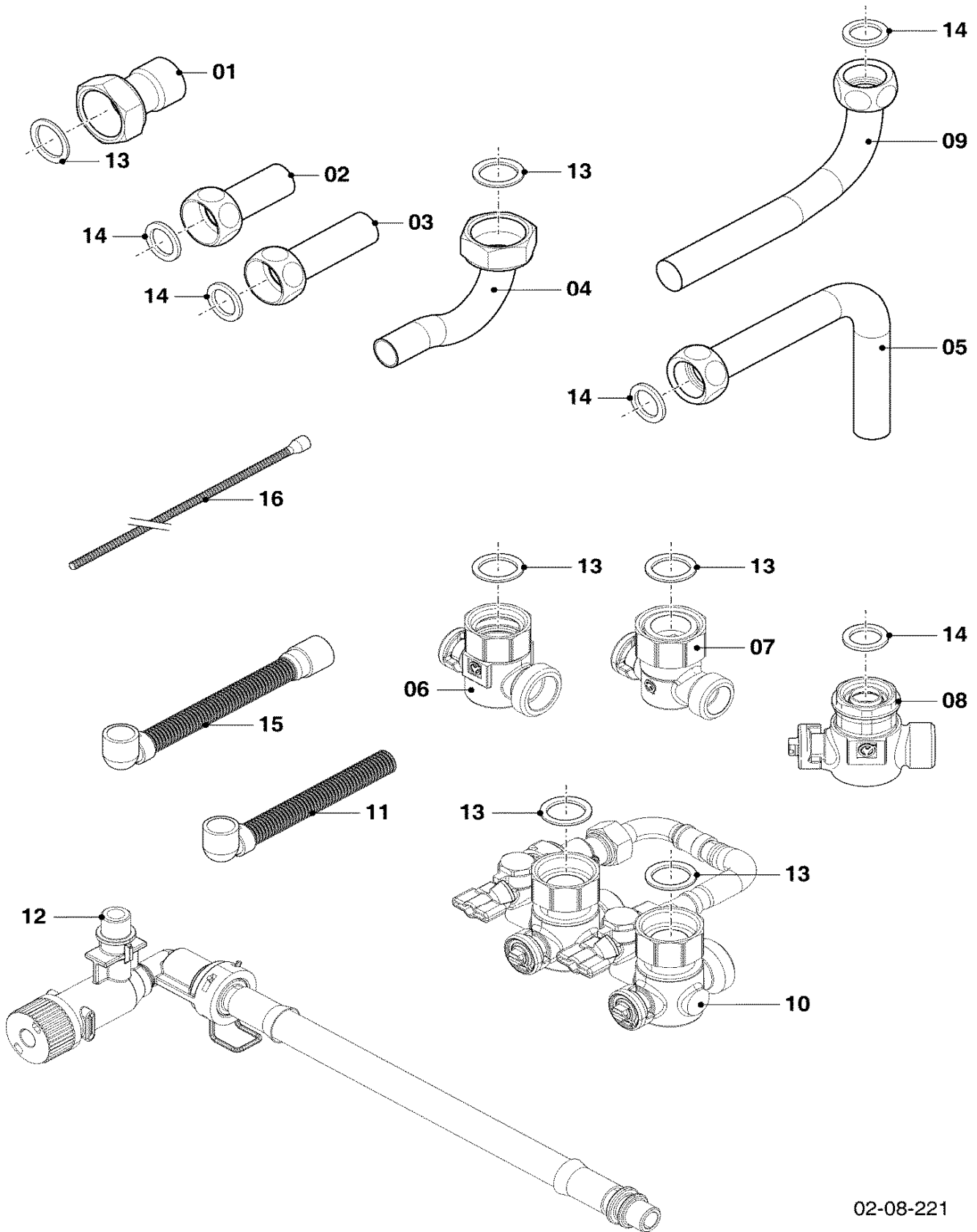
Pos.	Art.-No	Part	Type, note
		0208216	
01	178992	Clip (PK10)	
02	193592	Sensor NTC (CH flow/CH return)	
03	103415	O-ring (PK10)	
04	0020211097	Elbow	with parts 01, 03
05	108588	Sealing ring (PK10)	
06	0020195613	Tube	with parts 01, 03, 10
07	0020195614	Gas pipe	with parts 05, 09, 14
08	0020195615	Tube	VU 126/6-5 OV (plus 412), with parts 01, 03, 10
08	0020195615	Tube	VU 156/6-5 OV (plus 415), with parts 01, 03, 10
08	0020195615	Tube	VU 186/6-5 OV (plus 418), with parts 01, 03, 10
08	0020195616	Tube	VU 246/6-5 OV (plus 424), with parts 01, 03, 10
08	0020195616	Tube	VU 306/6-5 OV (plus 430), with parts 01, 03, 10
09	0020211098	Screw, (PK10)	
10	0020073877	Screw (PK10)	
11	0020195505	Wiring harness, heat engine	
12	0020211099	Gas valve	with parts 05, 14, 15
13	0020211100	Gas pipe	with part 15
14	509120	Gasket (PK10)	
15	108588	Sealing ring (PK10)	

Subject to alteration !

Attention: Please take the gross price from the valid price list !

08c Hydraulic connection parts

VU 126/6-5 OV (plus 412), VU 156/6-5 OV (plus 415), VU 186/6-5 OV (plus 418), VU 246/6-5 OV (plus 424),
VU 306/6-5 OV (plus 430)



02-08-221

08c Hydraulic connection parts

VU 126/6-5 OV (plus 412), VU 156/6-5 OV (plus 415), VU 186/6-5 OV (plus 418), VU 246/6-5 OV (plus 424),
VU 306/6-5 OV (plus 430)

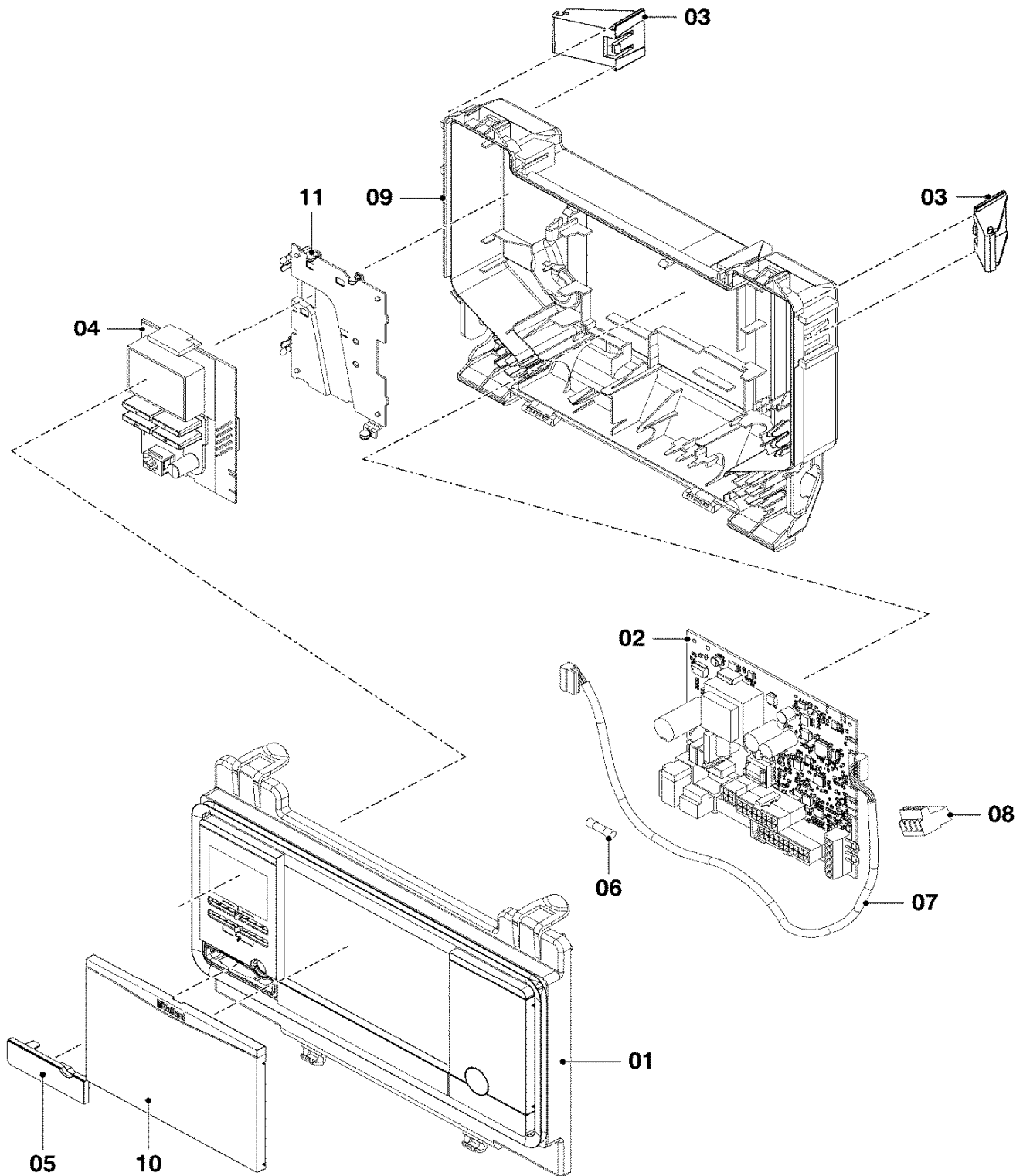
Pos.	Art.-No	Part	Type, note
		0208221	
01	995439	-	not for this appliance
02	995439	-	not for this appliance
03	995439	-	not for this appliance
04	995439	-	not for this appliance
05	0020211100	Gas pipe	with part 14
06	995439	-	not for this appliance
07	995439	-	not for this appliance
08	0020211099	Gas valve	with part 14
09	995439	-	not for this appliance
10	995439	-	not for this appliance
11	995439	-	not for this appliance
12	995439	-	not for this appliance
13	0020073878	Gasket 3/4G (PK10)	
14	108588	Sealing ring (PK10)	
15	0020211449	Hose	
16	995439	-	not for this appliance

Subject to alteration !

Attention: Please take the gross price from the valid price list !

12 Control panel

VU 126/6-5 OV (plus 412), VU 156/6-5 OV (plus 415), VU 186/6-5 OV (plus 418), VU 246/6-5 OV (plus 424),
VU 306/6-5 OV (plus 430)



02-12-073

12 Control panel

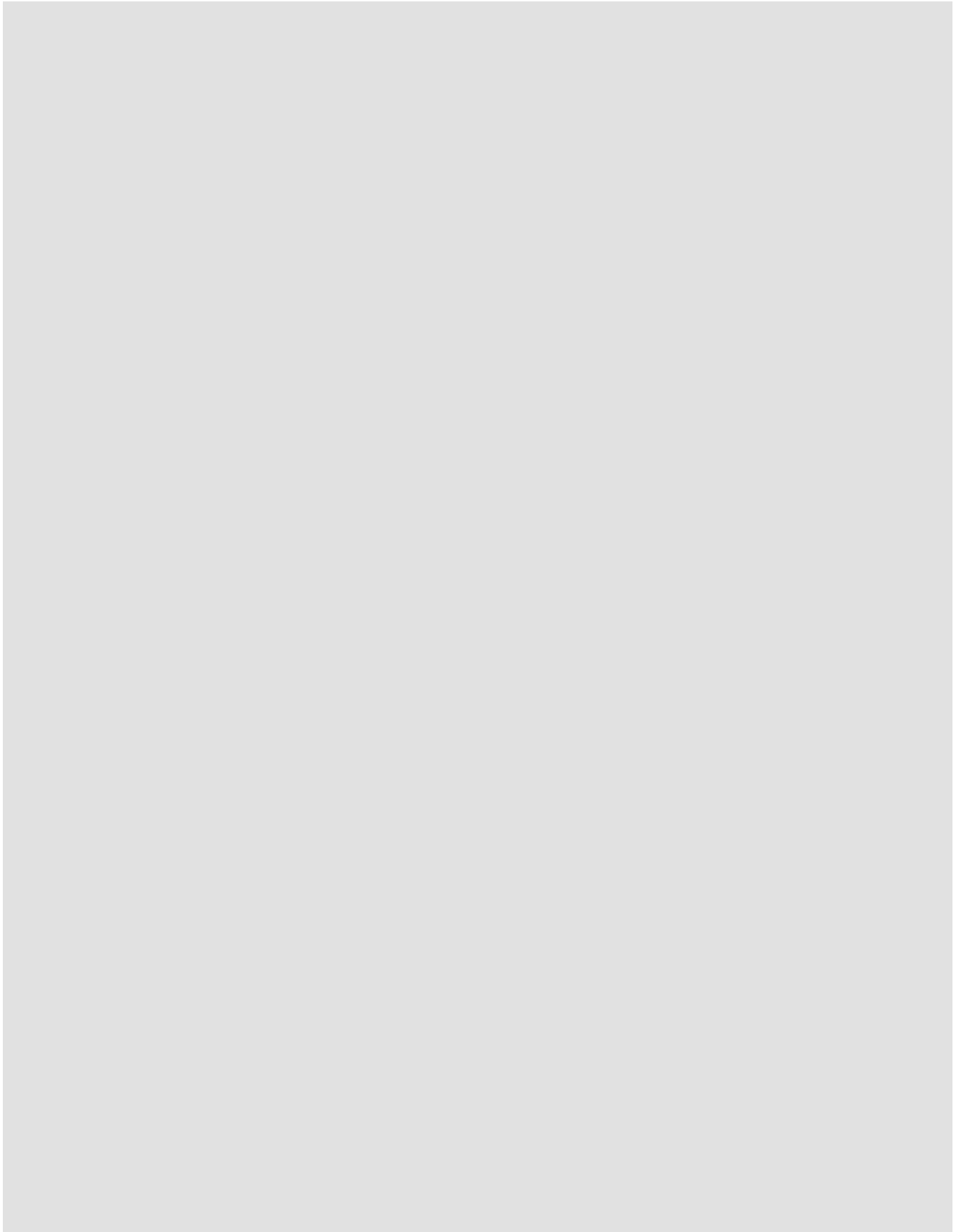
VU 126/6-5 OV (plus 412), VU 156/6-5 OV (plus 415), VU 186/6-5 OV (plus 418), VU 246/6-5 OV (plus 424),
VU 306/6-5 OV (plus 430)

Pos.	Art.-No	Part	Type, note
		0212073	
01	0020214262	Control box	with part 10
02	0020195589	PCB	
03	0020214263	Spacer	
04	0020173978	Display	
05	0020136640	Cover diagnostic connector	
06	0020067507	Fuse 2,0 A T2H (PK10)	
07	0020214261	Wiring harness	
08	0020210618	Plug	
09	0020210615	Control box	
10	0020136633	Cover control (plus)	
11	0020219515	Cover, AI	

Subject to alteration !

Attention: Please take the gross price from the valid price list !

Notes



Vaillant Ltd

Nottingham Road ■ Belper ■ Derbyshire ■ DE56 1JT
Telephone 0845 602 2922 ■ www.vaillant.co.uk ■ info@vaillant.co.uk