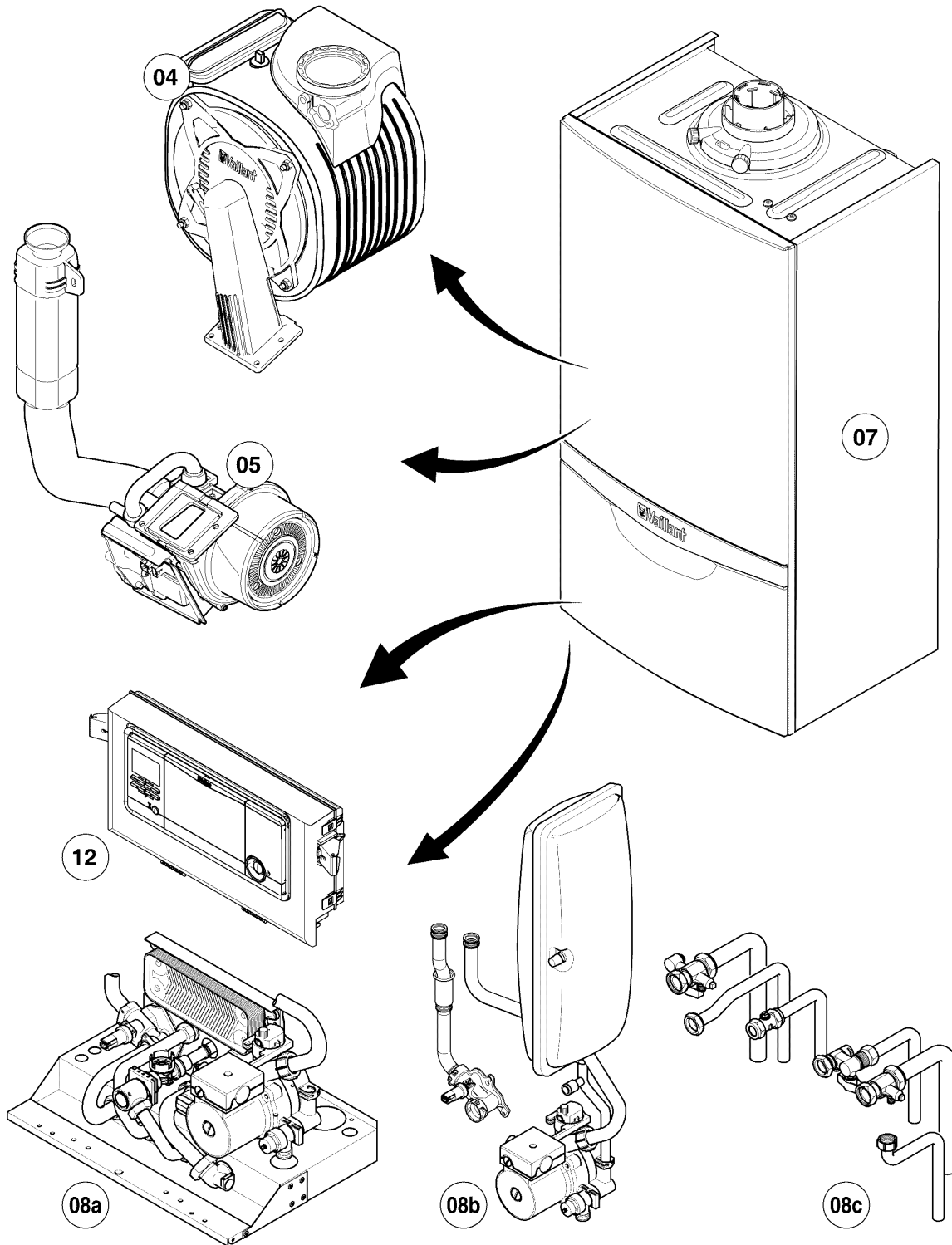


# ecoTEC VU (condensing)

VU 246/5-5 R4 (plus 624)

Assembly overview



02-00-111

---

## **ecoTEC VU (condensing)**

VU 246/5-5 R4 (plus 624)

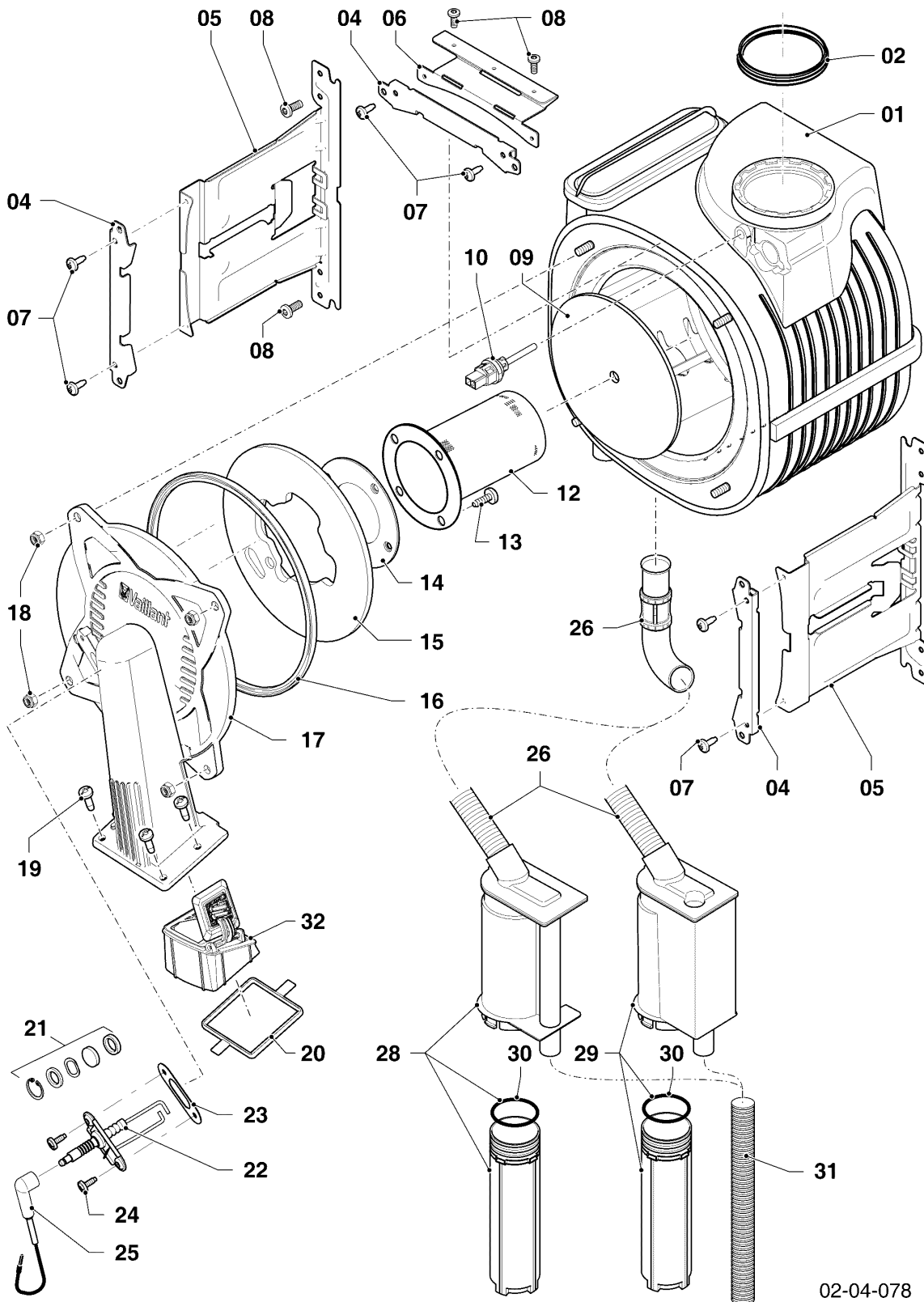
Assembly overview

<b>Pos.</b>	<b>Assembly group</b>
04	Burner, Heat exchanger
05	Gas section
07	Casing parts
08a	Hydraulic parts (Hydroblock)
08b	Hydraulic parts
08c	Connection parts (acc.)
12	Control box

# ecoTEC VU (condensing)

VU 246/5-5 R4 (plus 624)

04 - Burner, Heat exchanger



02-04-078

## ecoTEC VU (condensing)

VU 246/5-5 R4 (plus 624)

04 - Burner, Heat exchanger

Pos.	Article	Description	Note
01	0020209544	Heat exchanger	VU 246/5-5 R4 (plus 624), with parts 09,16,18
02	981227	Sealing ring EPDM (DN 80)	
04	0020135117	Support, heat exchanger	with part 07
05	0020135113	Support PHE	VU 246/5-5 R4 (plus 624), with parts 07,08
06	0020135116	Support PHE top	only for VU 376, with parts 07,08
07	0020133828	Screw, (PK10)	
08	0020136643	Screw, (PK10)	
09	0020143489	Insulation, 16 mm with clips	
10	-	-	not for these appliances
12	0020223030	Burner	VU 246/5-5 R4 (plus 624), with parts 13,14
13	105900	Screw, (PK10)	
14	981103	Gasket burner	
15	193595	Insulation	with parts 13,14
16	0020038679	Gasket kit	with part 18
17	0020135118	Flange	with parts 13,14,16,18,19,20,21,23,24
18	0020026537	Nut, M6 (PK5)	
19	193597	Screw, (PK10)	
20	193594	Gasket	
21	161245	Inspection glass	Attention! In a limited period the inspection glass was sealed cause of a bigger diameter of the hole and snap ring. These inspection glasses must not be replaced!
22	0020133816	Electrode	with parts 23,24
23	981330	Gasket electrode	
24	118937	Pan head screw (M 5x12)	
25	0020135119	Cable, ignition	
25	0020075412	Plug (ignition)	
26	-	-	not available as spare part, see pos. 29
28	-	-	not for these appliances
29	0020141345	Siphon/trap	with part 26
30	0020077919	O-ring, (PK5)	

## ecoTEC VU (condensing)

VU 246/5-5 R4 (plus 624)

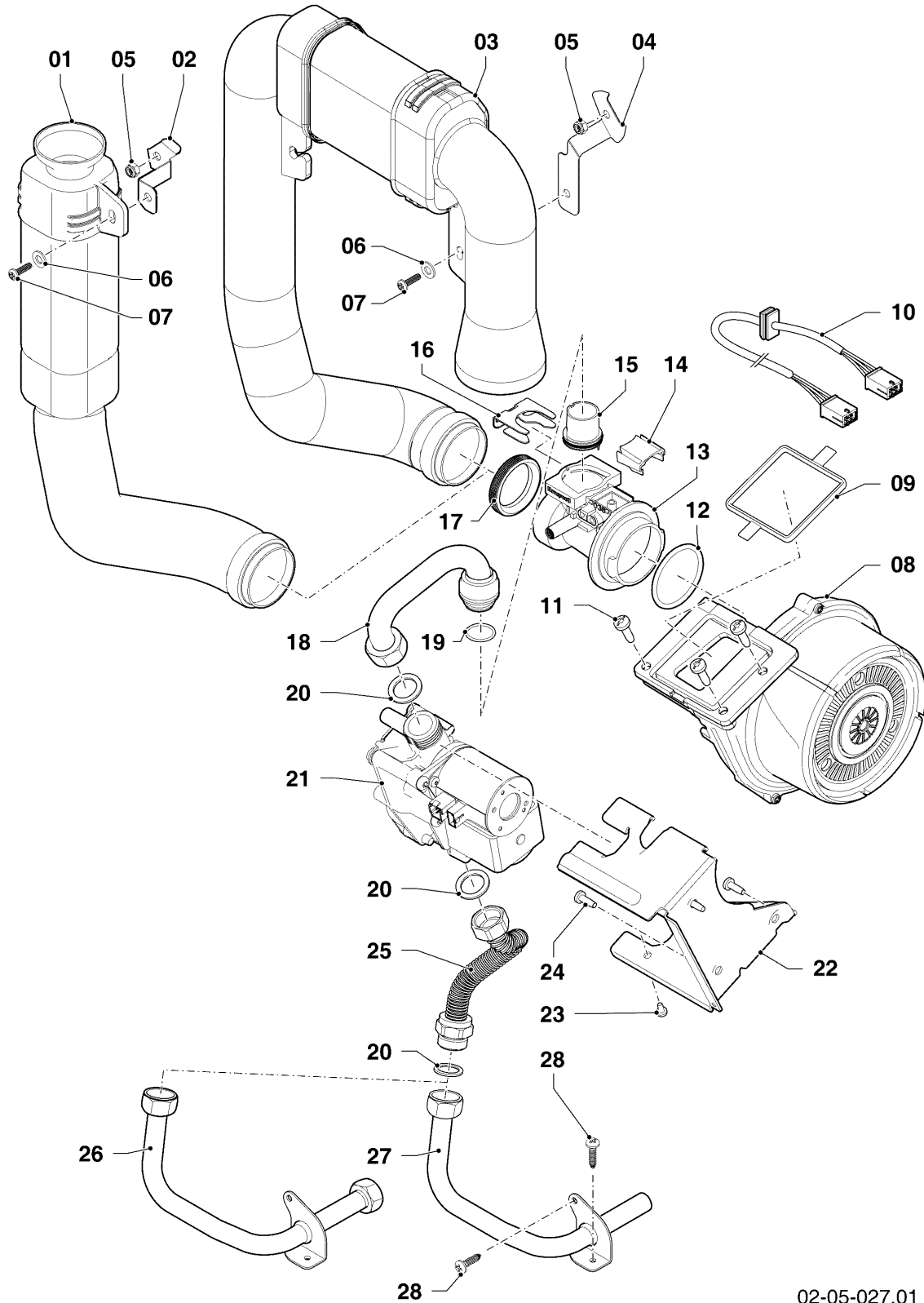
04 - Burner, Heat exchanger

Pos.	Article	Description	Note
31	0020144602	Hose, condensate	
32	-	-	not for these appliances

# ecoTEC VU (condensing)

VU 246/5-5 R4 (plus 624)

05 - Gas section



02-05-027.01

## ecoTEC VU (condensing)

VU 246/5-5 R4 (plus 624)

05 - Gas section

Pos.	Article	Description	Note
01	0020135147	Air inlet pipe	only for VU 126...186
02	0020135150	Support air inlet duct	only for VU 126...186, with parts 05,06,07
03	0020135148	Air inlet pipe	only for VU 246...376
04	0020135151	Support air inlet duct	only for VU 246...376, with parts 05,06,07
05	0020026537	Nut, M6 (PK5)	
06	0020135152	Washer, (PK10)	
07	0020133833	Screw, (PK10)	
08	0020135138	Fan	VU 246/5-5 R4 (plus 624), with parts 09,11,12,20,23,24
09	193594	Gasket	
10	0020233882	Cable, fan 230V	only for VU 376
11	193597	Screw, (PK10)	
12	0020135120	O-ring venturi (PK5)	
13	0020135123	Venturi	VU 246/5-5 R4 (plus 624), Attention: You have to reuse the throttle jet (pos. 15)! with parts 12,14,19,20
14	0020136647	Cap (over venturi filter)	
15	0020135126	Throttle jet + gas coding plug (yellow)	for natural gas (H), with parts 12,19,20
15	0020135128	Throttle jet + gas coding plug (grey)	for propane (P), with parts 12,19,20
16	0020136636	Clip (PK10)	
17	0020135149	Gasket air inlet duct	
18	0020135136	Gas pipe	with parts 12,19,20
19	0020135135	O-ring (PK10)	
20	981142	Sealing ring, (PK10)	
21	0020148382	Gas section	VU 246/5-5 R4 (plus 624), for natural gas (H), with parts 09,20,23
21	0020148381	Gas section with regulator	VU 246/5-5 R4 (plus 624), for propane (P), with parts 09,20,23
22	0020135145	Support gas section	with parts 09,11,20,23,24
23	108628	Screw, (PK10)	
24	509685	Screw, (PK10)	

## ecoTEC VU (condensing)

VU 246/5-5 R4 (plus 624)

05 - Gas section

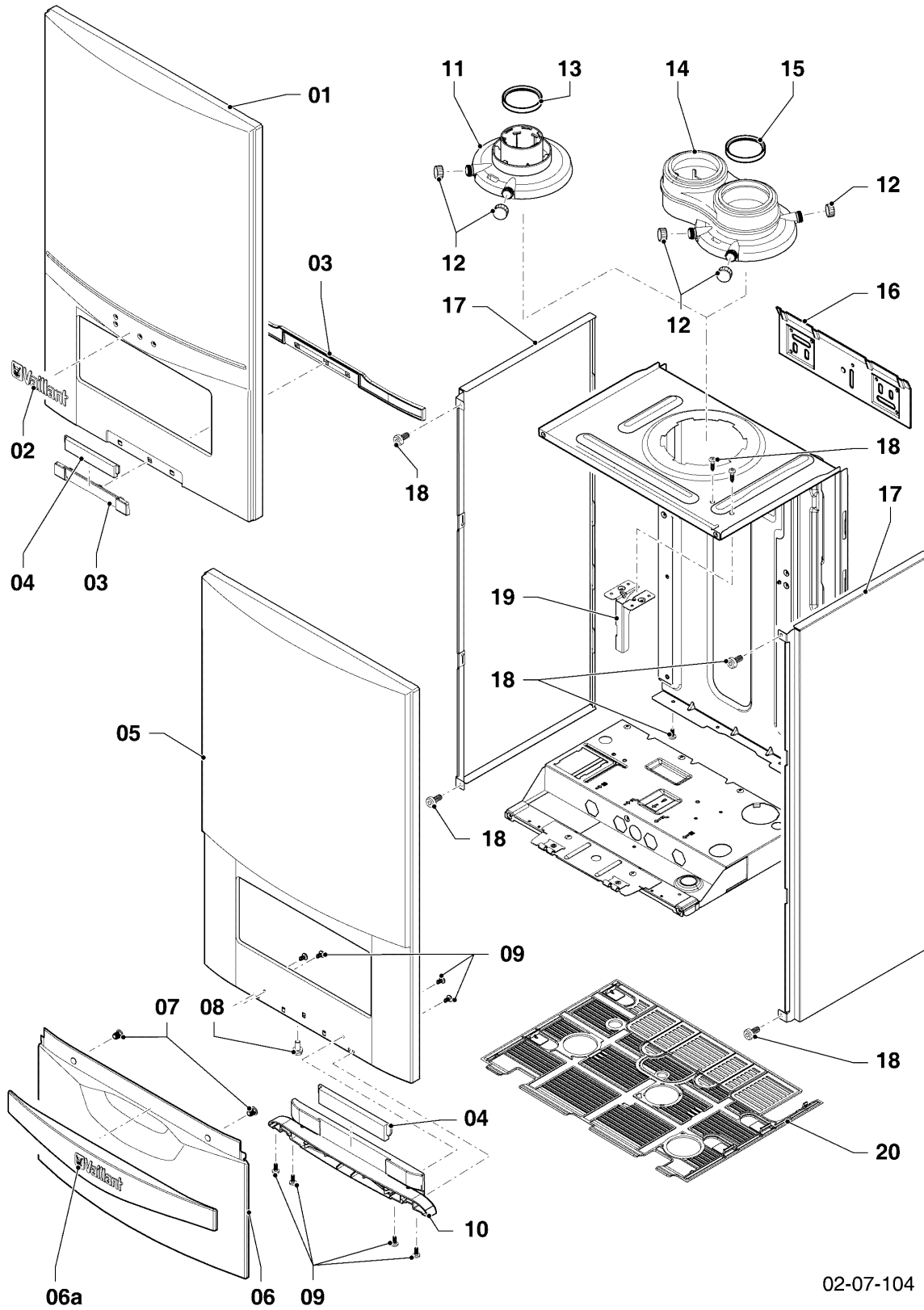
Pos.	Article	Description	Note
25	0020141340	Gas pipe (top)	with part 20
26	-	-	not for these appliances
27	0020141343	Gas pipe (bottom)	with parts 20,28
28	0020136643	Screw, (PK10)	



# ecoTEC VU (condensing)

VU 246/5-5 R4 (plus 624)

07 - Casing parts



02-07-104

## ecoTEC VU (condensing)

VU 246/5-5 R4 (plus 624)

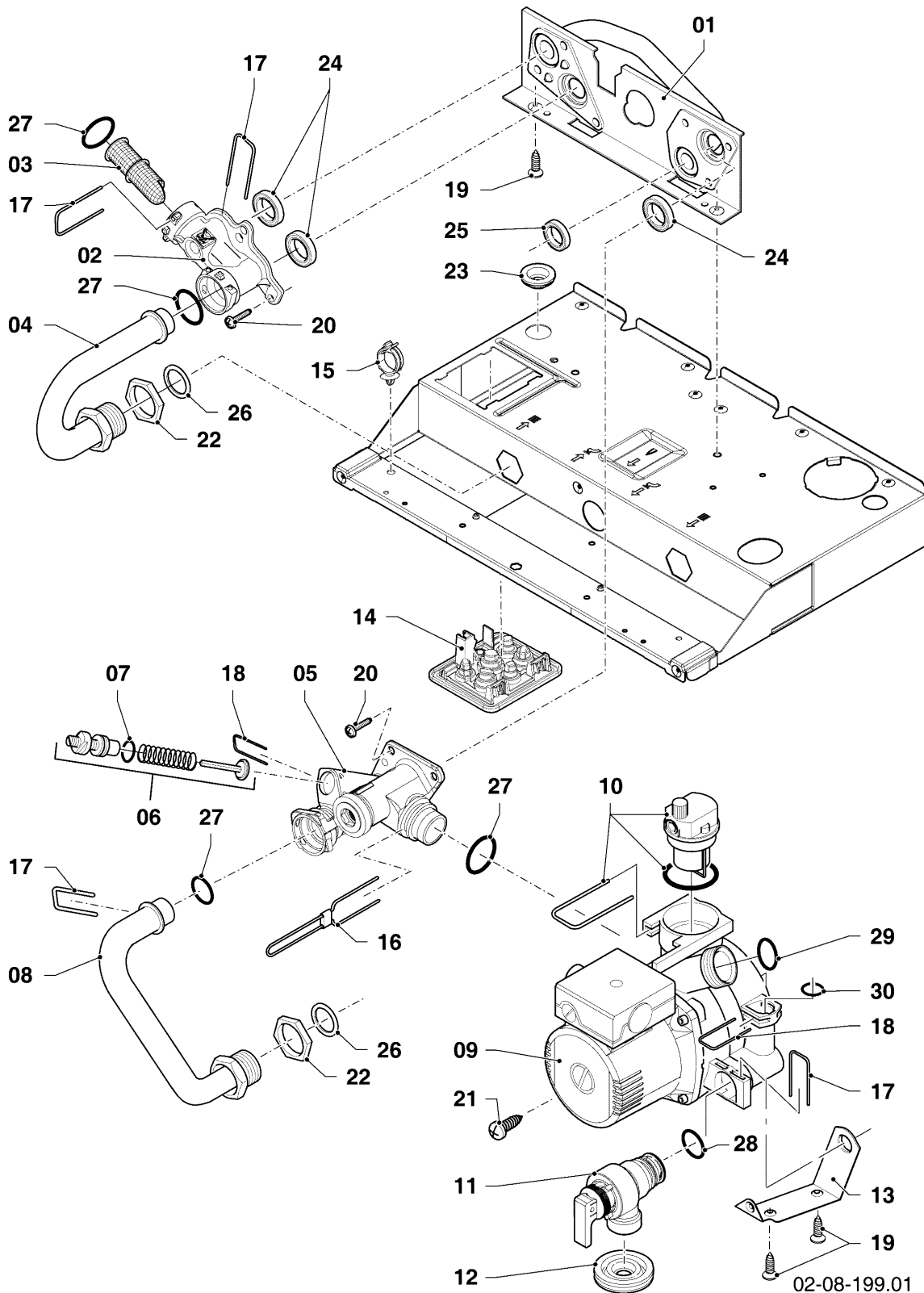
07 - Casing parts

Pos.	Article	Description	Note
01	-	-	not for these appliances
02	-	-	not for these appliances
03	-	-	not for these appliances
04	0020141349	Plate, product name	
05	0020144590	Casing parts, front (plus)	VU 246/5-5 R4 (plus 624), with parts 06,06a,07,08,09,10
06	0020144594	Cover	with parts 06a,07,09,10
06a	0020144609	Handle	with part 07
07	0020068136	Magnet, (PK2)	
08	105839	Screw, (PK10)	
09	193538	Screw, (PK10)	
10	0020144595	Hinge	with part 09
11	0020144596	Adapter, 60/100	with parts 12,13
12	147392	Cap, (PK5)	
13	981233	Lip seal EPDM (DN 60)	
14	-	-	not for these appliances
15	-	-	not for these appliances
16	180987	Support	
16	0020130588	Fastening kit (screws + plugs)	not shown
17	0020144593	Casing parts, side panel	with part 18
18	0020136643	Screw, (PK10)	
19	0020144598	Support (expansion vessel)	with part 18
20	180988	Cover	

# ecoTEC VU (condensing)

VU 246/5-5 R4 (plus 624)

08a - Hydraulic parts (Hydroblock)



## ecoTEC VU (condensing)

VU 246/5-5 R4 (plus 624)

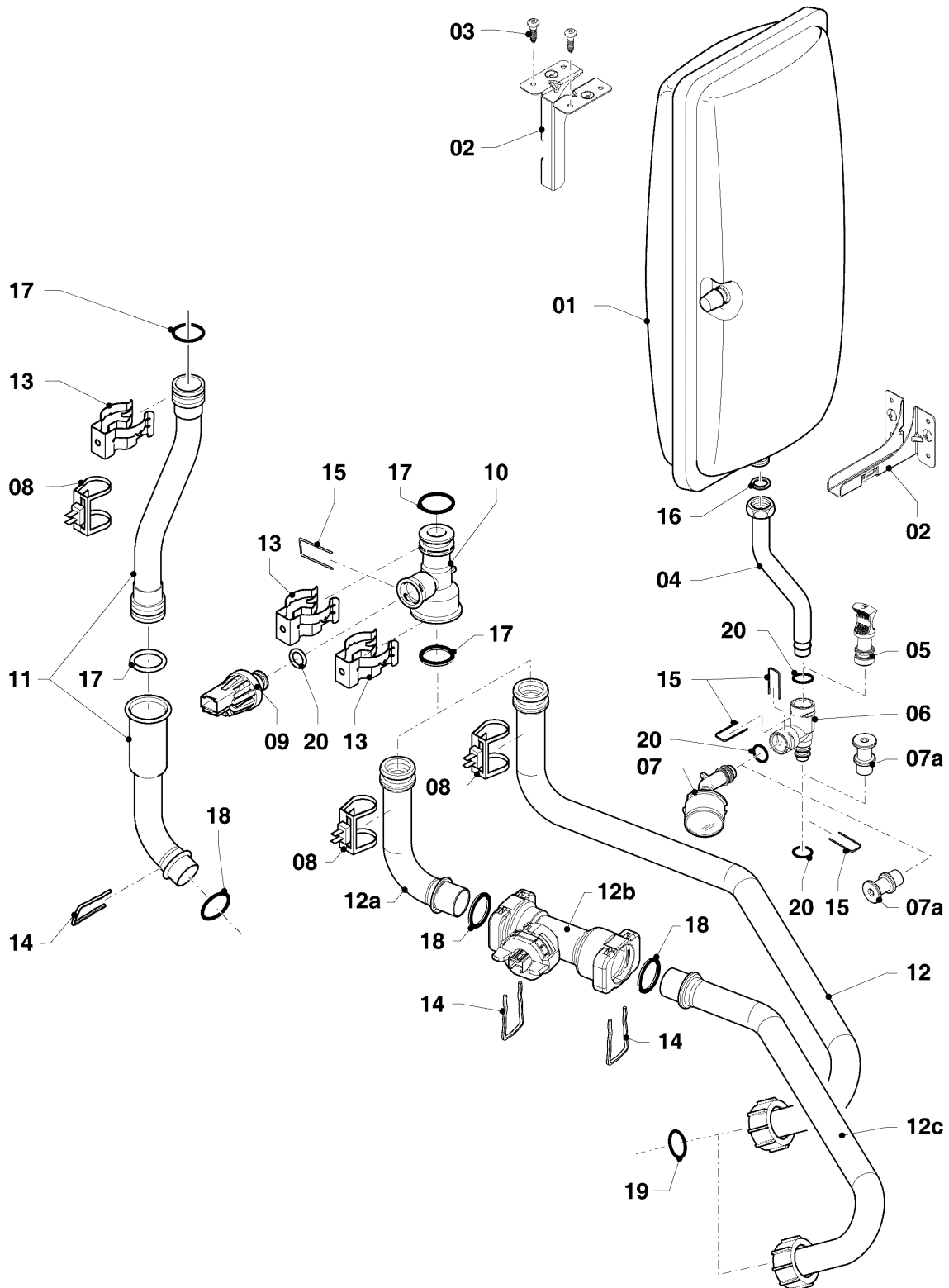
08a - Hydraulic parts (Hydroblock)

Pos.	Article	Description	Note
01	509142	Support	with parts 19,20,24,25,26,27
02	0020140560	Connection (composite)	with parts 17,20,24,27
03	179030	Filter	with parts 17,27
04	179033	Pipe	with parts 22,26,27
05	0020148396	Connection, plastic	with parts 17,20,24,25,27
06	178980	Bypass	with parts 07,18
07	981165	O-ring, (PK10)	
08	180999	Pipe	with parts 26,27
09	178983	Pump	VU 246/5-5 R4 (plus 624), with parts 10,13,17,18,19,21,24,25,26,27,28, 29,30
10	104521	Automatic de-aerator	
11	178985	Pressure relief valve, 3 bar	with parts 17,28
12	0020039723	Gasket	
13	178984	Support	with parts 19,21
14	0020144603	Cable bushing	
15	0020144599	Clip, (PK5)	
16	178981	Clip	
17	178992	Clip, (PK10)	
18	0020107694	Clip, (PK5)	
19	0020107695	Screw, (PK10)	
20	0020133828	Screw, (PK10)	
21	0020133833	Screw, (PK10)	
22	0020144600	Nut, 3/4 (PK4)	
23	509120	Gasket, (PK10)	
24	193535	Gasket, C-Type (PK10)	
25	178969	Gasket, C-Type (PK10)	
26	981140	Sealing ring, 3/4 (PK10)	
27	193537	O-ring, (PK10)	
28	178986	O-ring, (PK10)	
29	193539	O-ring, (PK10)	
30	178993	O-ring, (PK10)	

## ecoTEC VU (condensing)

VU 246/5-5 R4 (plus 624)

08b - Hydraulic parts



02-08-201.03

## ecoTEC VU (condensing)

VU 246/5-5 R4 (plus 624)

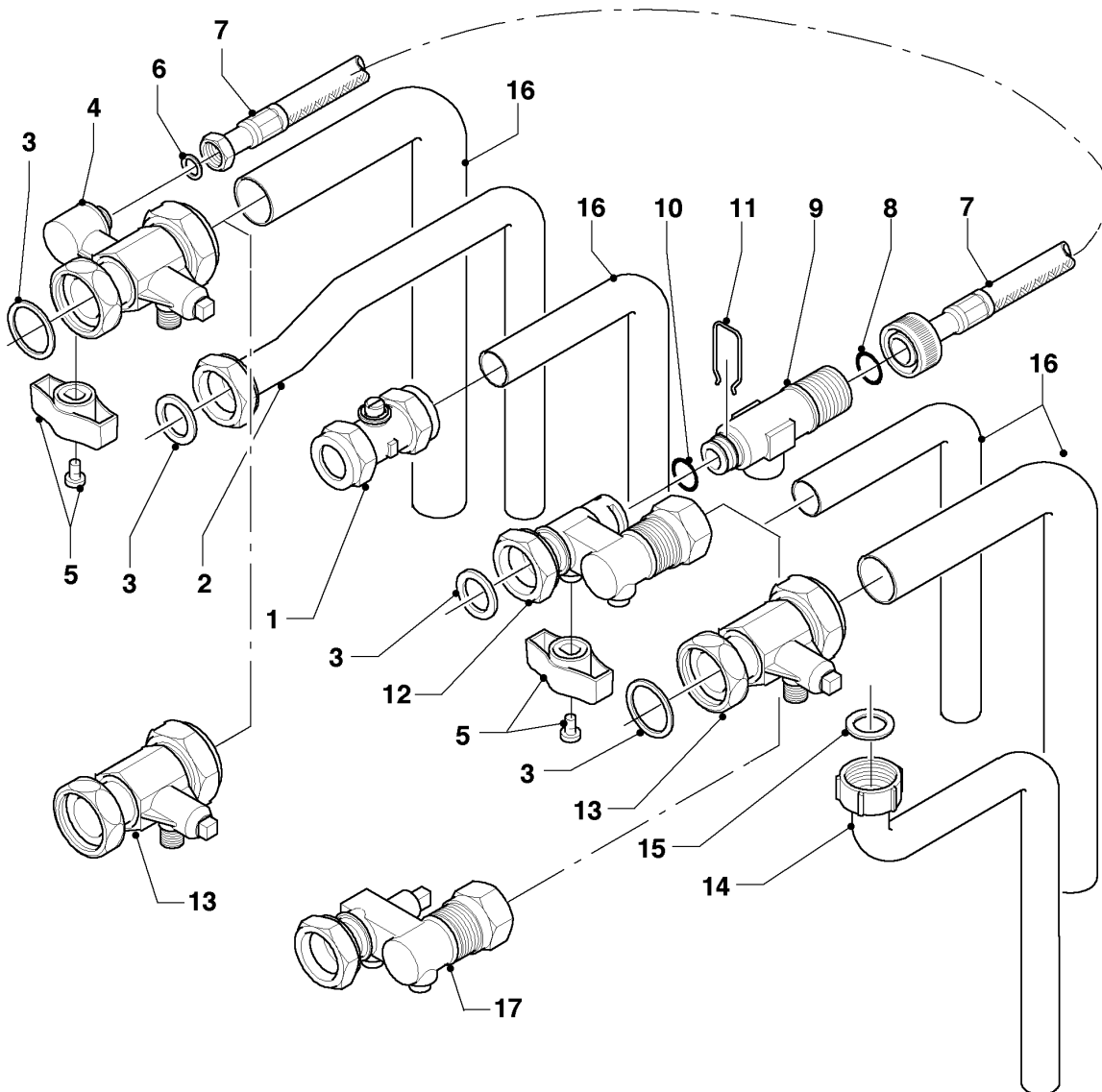
08b - Hydraulic parts

Pos.	Article	Description	Note
01	181051	Expansion vessel 10 ltr.	
02	0020144598	Support (expansion vessel)	with part 03
03	0020136643	Screw, (PK10)	
04	0020144605	Tube, expansion vessel	with parts 15,16,20
05	-	-	not for these appliances
06	0020144608	Adapter	with parts 15,20
07	0020144606	Pressure gauge	with parts 15,20
07a	0020020489	Plug	with part 20
08	193592	Sensor NTC (CH flow/CH return)	
09	0020059717	Sensor (water pressure)	with parts 15,20
10	0020087657	Adapter	with parts 15,17,20
11	0020068956	Connection tube (kit)	VU 246/5-5 R4 (plus 624), with parts 17,18
12	0020068958	Connection tube	with parts 10,13,15,17,19,20
12a	-	-	not for these appliances
12b	-	-	not for these appliances
12c	-	-	not for these appliances
13	103417	Clip, (PK10)	
14	178992	Clip, (PK10)	
15	0020107694	Clip, (PK5)	
16	981149	Sealing ring, (PK10)	
17	103415	O-ring, (PK10)	
18	193537	O-ring, (PK10)	
19	193539	O-ring, (PK10)	
20	178993	O-ring, (PK10)	

## ecoTEC VU (condensing)

VU 246/5-5 R4 (plus 624)

08c - Connection parts (acc.)



02 - 08 - 125.01

## ecoTEC VU (condensing)

VU 246/5-5 R4 (plus 624)

08c - Connection parts (acc.)

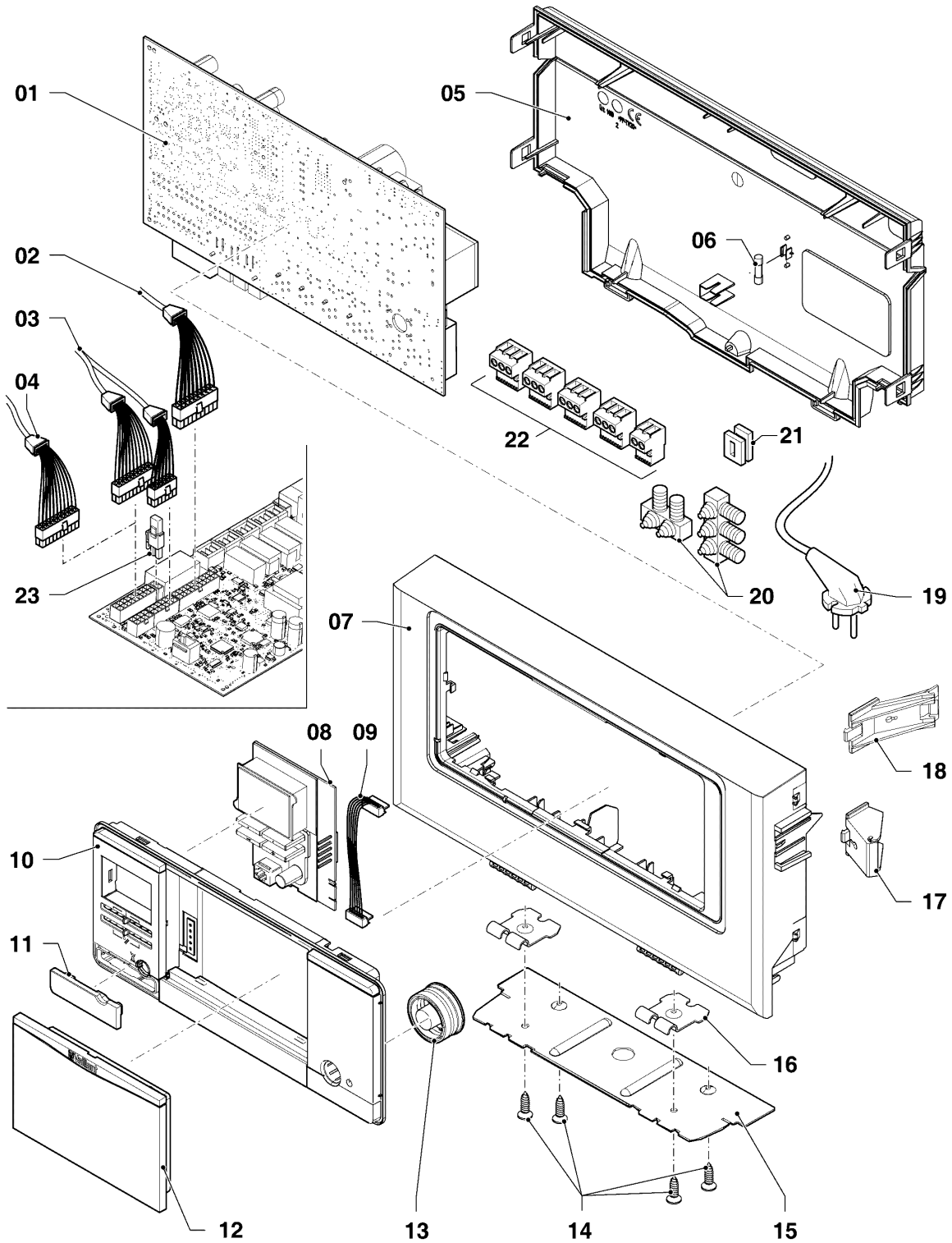
Pos.	Article	Description	Note
00	0020005550	ASSEMBLY KIT 178773	VU 246/5-5 R4 (plus 624), not shown
01	082782	Gas shut-off valve 15 x 15	VU 246/5-5 R4 (plus 624)
02	-	-	not for these appliances
03	981140	Sealing ring, 3/4 (PK10)	
04	-	-	not for these appliances
05	0020010292	Handle, (PK2)	
06	-	-	not for these appliances
07	-	-	not for these appliances
08	-	-	not for these appliances
09	-	-	not for these appliances
10	-	-	not for these appliances
11	-	-	not for these appliances
12	-	-	not for these appliances
13	0020010296	Service cock	with part 03
14	0020010297	Tube, pressure relief valve (copper)	with part 15
15	0020010298	Sealing ring (PK10)	
16	0020137082	kit pipes ecoTEC 5-5 system boilers	VU 246/5-5 R4 (plus 624)
17	-	-	not for these appliances



# ecoTEC VU (condensing)

VU 246/5-5 R4 (plus 624)

12 - Control box



02-12-061.01

## ecoTEC VU (condensing)

VU 246/5-5 R4 (plus 624)

12 - Control box

Pos.	Article	Description	Note
01	0020135165	Printed circuit board	with part 22
02	0020135159	Wiring harness	VU 246/5-5 R4 (plus 624)
03	0020210202	Wiring harness	VU 246/5-5 R4 (plus 624)
04	-	-	not for these appliances
05	0020136635	Casing back	with part 06
06	0020067507	Fuse, 2,0 A T2H (PK10)	
07	0020136631	Casing, front (plus)	with parts 10,11,12,13
08	0020136628	Display	
09	0020136630	Cable, display	
10	-	-	not available separately, see pos. 07
11	0020136640	Cover diagnostic connector	
12	0020136633	Cover control (plus)	
13	0020136642	Button power switch (plus)	
14	0020136643	Screw, (PK10)	
15	0020144613	Support (extension)	only for VU 306,376, with part 14
16	0020144611	Support, control box (PK2)	with part 14
17	193583	Support, (PK2)	VU 246/5-5 R4 (plus 624)
18	193585	Spacer, (PK2)	only for VU 376
19	-	-	not for GB
20	078533	Cable fixation	
21	139438	Black plastic filler control box	
22	0020136646	Connector ProE (Set)	
23	0020135126	Throttle jet + gas coding plug (yellow)	for natural gas (H)
23	0020135128	Throttle jet + gas coding plug (grey)	for propane (P)