



New ecoFIT pure.

The boiler that opens more doors.

■ ecoFIT pure

Because  **Vaillant** thinks ahead.



As one of Europe's leading heating technology manufacturers, 'thinking ahead' is a culture which is embraced throughout our business. Our products feature high energy efficiency ratings and low emissions, and come with an enviable reputation for performance, quality and reliability. This comes from proven German engineering combined with award winning UK manufacturing.

Introducing the boiler that opens more doors:

The new ecoFIT pure.

Ultra-quiet operation (Quiet Mark-approved), small footprint and total flexibility of siting (with top and rear flue options) mean that the ecoFIT pure range fits in with your customers' needs.

The automatic purging assistance and high spec, aluminium heat exchanger makes for a lightweight installation.

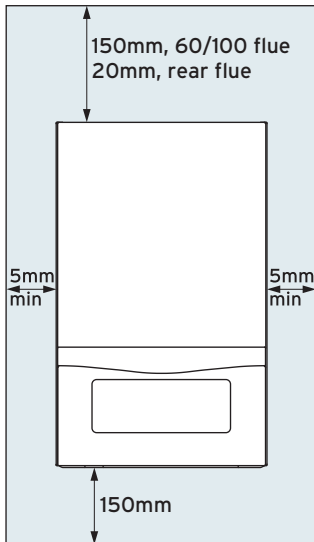
High quality and high efficiency, together with the complete availability of spare parts and the easy accessibility of the unit layout mean the ecoFIT pure is easy to maintain too.



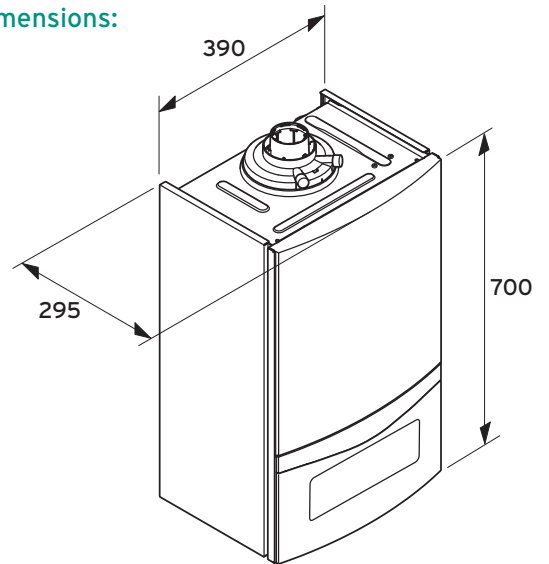
Visit [www.vaillant.co.uk](http://www.vaillant.co.uk) to find out more.

## ecoFIT pure Combination boiler 825, 830 and 835

Clearances:

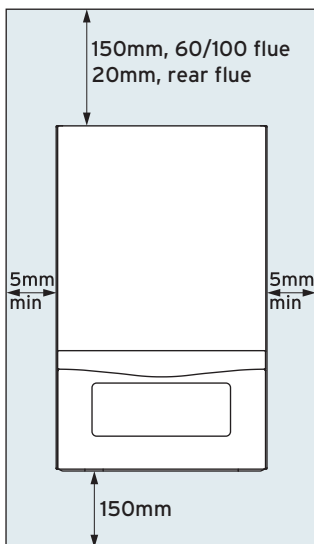


Dimensions:

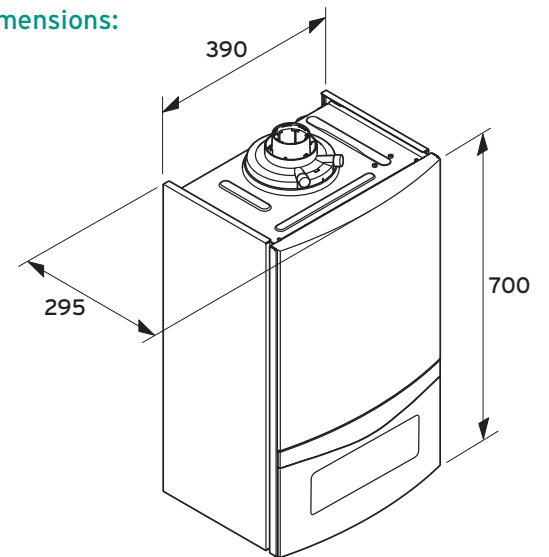


## ecoFIT pure System boiler 612, 615, 618, 625, and 630

Clearances:

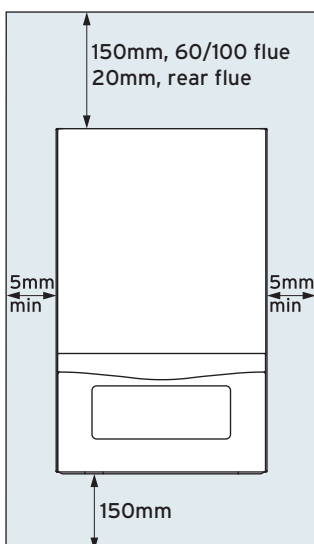


Dimensions:

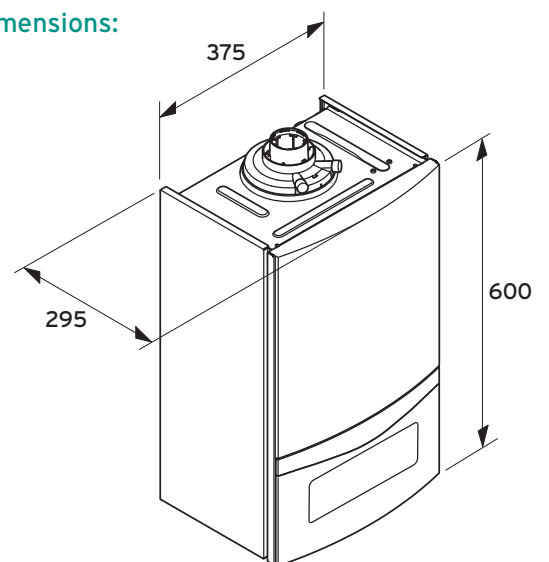


## ecoFIT pure Open vent boiler 412, 415, 418, 425, 430 and 435

Clearances:



Dimensions:



Technical data	25kW combi	30kW combi	35kW combi
Article numbers	0010020389	0010020390	0010020391
Boiler dimensions (HxWxD) (mm)	700 x 390 x 295	700 x 390 x 295	700 x 390 x 295
Rear flue option	Yes	Yes	Yes
Boiler lift weight (kg)	32	33	33
Nominal heat output range at 50/30°C (kW)	5.3 - 19.1	6.3 - 26.5	7.5 - 26.7
Nominal heat output range at 80/60°C (kW)	5.0 - 18.2	6.0 - 25.2	7.1 - 25.5
Maximum flow temperature (°C)	80	80	80
Flow temperature range (°C)	10 - 80	10 - 80	10 - 80
Domestic hot water flow rate l/hr (at DT = 35K)	10.4	12.4	14.4
Flow temperature factory setting (°C)	75	75	75
Approximate condensate volume at 50/30°C (l/hr)	1.84	2.55	2.57
Maximum horizontal flue length 60/100 (m)	10	10	10
PCDB seasonal efficiency (%)	89	89	89.4
ErP rating (heating/hot water)	A/A	A/A	A/A

Technical data	12kW system	15kW system	18kW system	25kW system	30kW system
Article numbers	0010020395	0010020396	0010020397	0010020398	0010020399
Boiler dimensions (HxWxD) (mm)	700 x 390 x 295	700 x 390 x 295	700 x 390 x 295	700 x 390 x 295	700 x 390 x 295
Rear flue option	Yes	Yes	Yes	Yes	Yes
Boiler lift weight (kg)	31	31	32	32	32
Nominal heat output range at 50/30°C (kW)	4.7 - 12.8	4.7 - 15.9	5.2 - 19.1	6.4 - 26.5	7.5 - 31.8
Nominal heat output range at 80/60°C (kW)	4.5 - 12.2	4.5 - 15.1	5.0 - 18.2	6.0 - 25.2	7.1 - 30.3
Maximum flow temperature (°C)	80	80	80	80	80
Flow temperature range (°C)	10 - 80	10 - 80	10 - 80	10 - 80	10 - 80
Flow temperature factory setting (°C)	75	75	75	75	75
Approximate condensate volume at 50/30°C (l/hr)	1.23	1.53	1.84	2.55	3.06
Maximum horizontal flue length 60/100 (m)	10	10	10	10	10
PCDB seasonal efficiency (%)	89.3	89.1	89	89	89.3
ErP rating (heating)	A	A	A	A	A

Technical data	12kW open vent	15kW open vent	18kW open vent	25kW open vent	30kW open vent	35kW open vent
Article numbers	0010020400	0010020401	0010020402	0010020403	0010020404	0010020405
Boiler dimensions (HxWxD) (mm)	600 x 375 x 295	600 x 375 x 295	600 x 375 x 295	600 x 375 x 295	600 x 375 x 295	600 x 375 x 295
Rear flue option	Yes	Yes	Yes	Yes	Yes	Yes
Boiler lift weight (kg)	22	22	22	23	23	23
Nominal heat output range at 50/30°C (kW)	4.7 - 12.8	4.7 - 15.9	5.2 - 19.1	6.4 - 26.5	7.5 - 31.8	7.5 - 37.1
Nominal heat output range at 80/60°C (kW)	4.5 - 12.2	4.5 - 15.1	5.0 - 18.2	6.0 - 25.2	7.1 - 30.3	7.1 - 35.1
Maximum flow temperature (°C)	80	80	80	80	80	80
Flow temperature range (°C)	10 - 80	10 - 80	10 - 80	10 - 80	10 - 80	10 - 80
Flow temperature factory setting (°C)	75	75	75	75	75	75
Approximate condensate volume at 50/30°C (l/hr)	1.23	1.55	1.84	2.55	3.06	3.57
Maximum horizontal flue length 60/100 (m)	10	10	10	10	10	10
PCDB seasonal efficiency (%)	89.3	89.1	89	89	89.3	87.9
ErP rating (heating)	A	A	A	A	A	A

# The new ecoFIT pure.

## Benefits at a glance

### Top and rear flue options on all boiler models

Allows flexible siting options and installs in various property types

### Wide product range

Complete range of outputs, making the ecoFIT pure a suitable boiler for most situations

### Compact, cupboard fit solution

Small boiler footprint, offering flexibility of siting, including a cupboard-fit

### Clear LED display

Offers visibility in dimly lit areas for easier installation and use

### Easy installation and maintenance

Accessible layout that allows all components to be replaced from the boiler front. Additional space is possible with removable side panels

### Recognisable Vaillant fault codes

Making it easy to diagnose faults

### High-specification aluminium heat exchanger

Designed to last longer, maintain easily, and reduce energy bills

### High-quality components

Offering peace of mind for the lifetime of the product

### Industry-leading flue lengths

10m flue length across all ecoFIT pure boiler outputs

### 4-sided cooling and water agitation of the heat exchanger

Reducing stress on the heat exchanger for longer life reliability and reduced maintenance costs

### Compatible with Vaillant's intelligent range of controls

For the most convenient and energy efficient system, saving on energy bills

### 5 year warranty\*

With the opportunity to purchase up to 10 years. For homeowner piece of mind

### Rewards for registering on Advance

\*When registered through Vaillant Advance



## Take Control

The ecoFIT pure boilers are compatible with Vaillant's complete range of intelligent controls. From the simplicity of our analogue heating controls to wireless thermostats, you're sure to find a control that's a smart choice for every installation.



### timeSWITCH 150

Easy to use analogue, plug-in heating control

Article number: 0020116882



### timeSWITCH 160

Digital plug-in thermostat

Article number: 0020124498



### VRT 350

Enhanced load compensating programmable room thermostat

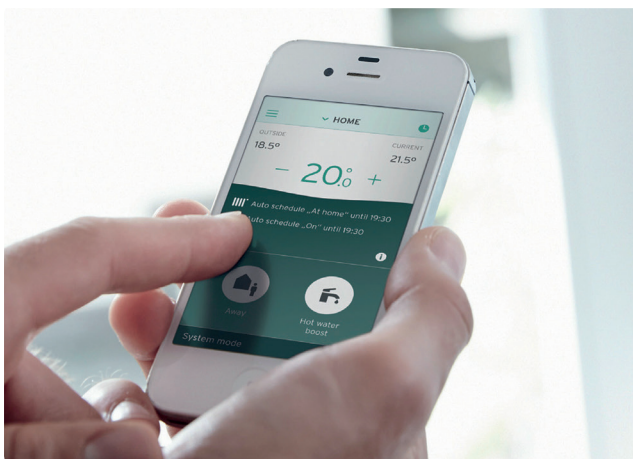
Article number: 0020124475



### VRC 700

Wireless programmable room thermostat

Article number: 0020236291



## There's smart, then there's vSMART™



### vSMART™

Wireless heating and hot water control on a smartphone app.

When a vSMART™ control is added, the ecoFIT pure will achieve an A+ ErP rating, making it welcome in any switched-on, energy-conscious home. It's convenient, energy efficient, and saves on energy bills.

For more information on Vaillant's range of intelligent controls, please visit [www.vaillant.co.uk](http://www.vaillant.co.uk)

### vSMART article numbers:

0020223154 vSMART Combi Pack

0020223158 vSMART System/Open Vent Pack

# Join us today for a better way of working

Advance your knowledge, your business and your earnings.  
Become a Vaillant Advance Partner.

When you sign up to Vaillant Advance, you're not just joining a loyalty programme, you're linking with the UK's number one heating and renewables manufacturer; setting the standard in the heating market for over 140 years.



## Expect to receive valuable benefits such as:

 <b>Earn cash and credits</b> Advance rewards you for all your hard work. Go shopping with cashback earned and redeem credits on workwear and other cool stuff.	 <b>Free extended warranties</b> Get access to excellent extended warranty options, totally exclusive to Advance members.
 <b>Free Gas Safe in a couple of clicks</b> Complete Gas Safe online or on the app, with the certificate automatically sent to your customer. Less fuss. Less paperwork.	 <b>Paperless Benchmark and service reminders</b> Files. Paper clips. Forget them. Advance makes all your admin digital.
 <b>Hotline to the Vaillant team</b> Advance puts you in direct contact with the Vaillant team, providing all the back up you need.	 <b>Technical data always at hand</b> Every tiny detail of any Vaillant product is right at your fingertips, 24/7.

Vaillant Advance. Look forward to it.

Join today - call the Advance team on **01865 893 309** or visit [www.vaillant-advance.co.uk](http://www.vaillant-advance.co.uk)



Download the Advance app and upgrade your business today.

 @vaillantuk    vaillantuk    vaillantuk

 Heating    Hot water    Renewables

  
**advance**

\*When registered on Advance

\*\* Option to purchase up to 10 years on eligible product. T&Cs apply.