

ecoCRAFT 80kW, 120kW & 160kW

Floor standing condensing boiler range

Technical specification



- The ecoCRAFT range consists of six models including 80kW, 120kW, 160kW, 200kW, 240kW and 280kW
- Modulation ranges as wide as 17% to 100%
- Modular heat exchanger design utilising a single pre-mix burner and fan to achieve part load efficiencies as high as 108.4% (net)
- NOx class 5 rating
- Adjustable maximum flow temperature from 35°C to 85°C
- ErP band A



■ Heating ■ Hot water ■ Renewables

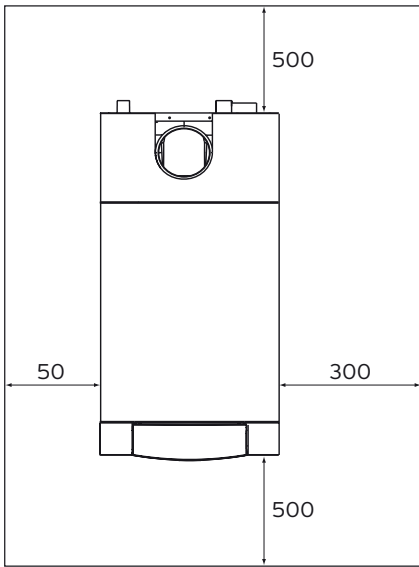
Because  **Vaillant** thinks ahead.

ecoCRAFT technical specification sheet

ecoCRAFT			80kW	120kW	160kW
Article number		unit	0010014388	0010014389	0010014390
Heat output range Natural gas G20 at 20mb	80/60	kW	13.6 - 78.2	21.3 - 113.4	26.2 - 156.8
	50/30	kW	14.4 - 82.4	22.7 - 119.4	27.8 - 164.8
Maximum heat input (net)		kW	80.0	115.9	160.0
Energy-related Products		band	A		
Seasonal efficiency *	NG	%	95.85		
Net efficiency 100%	80/60	%	97.8		
Net efficiency 30%	50/30	%	108.4		
Gas working pressure	NG	mbar	20		
Nominal gas consumption at 15 °C 1013mb	NG	m ³ /h	8.5	12.3	16.9
	LPG	kg/h	Not for LPG		
NOx class 5 - 0% oxygen -Dry		mg/kWh	≤60		
Maximum flow temperature		°C	85		
Nominal CH flow rate		l/h	3440	4990	6880
		l/s	0.96	1.39	1.91
Loss across heat exchanger		mbar	80	85	90
Pump head (0020180027)		mbar	550	410	210
Standby loss Δt = 50 K		%	<4		
Maximum power consumption		W	260	260	320
Standby power consumption		W	<8		
Supply voltage / frequency / current			230V / 50Hz / 4A		
IP rating			IP20		
Noise level - load EN 15036-1 dB(A) re 1 pW		Full	61.9	61.0	69.1
		Part	40.0	40.4	47.2
Dimensions - H x W x D		mm	1285 x 695 x 1240		
Internal water capacity		l	5.74	8.07	10.4
Acidity level		PH	6.5 - 8.5		
Flue / air duct		Ø mm	150 / 130		
Connection size (B23p)		mm	150		
Certification for GB			C33, C43, C53, C93, C63, C83, B23, B23p		
Maximum horizontal flue length		m	3		
Maximum vertical flue length, subject to design	Ø 130mm	m	33		
	Ø 160mm	m	50		
Flue mass flow Qmax	NG	g/s	35.4	51.2	70.7
Flue gas temperature range		°C	60-70		
Fan pressure B23p in single		Pa	100	100	150
Flow and return connections		BSP female	2"		
Gas connection		BSP female	1 1/2"		
Condensate (PH range 3.5-4.0)		l/h	13	20	27
Condensate connection pipe		Ø mm	19 ID (24 OD)		
Maximum operating pressure		bar	6		
High efficiency pump (0020180027)		EEI	≤0.23		
Test registration		CE	0063BS3740		

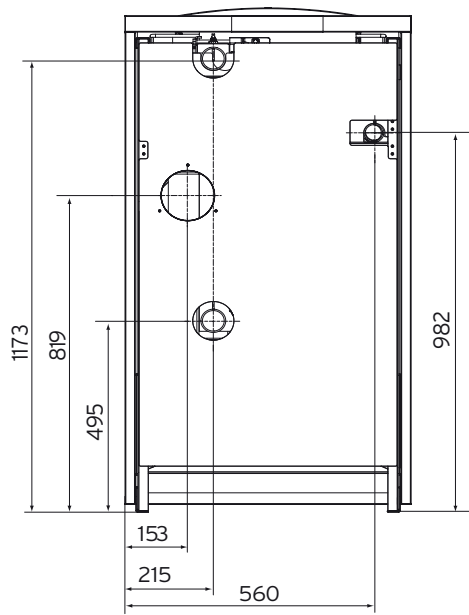
* In accordance with the non-domestic building services compliance guide 2013

Water quality - To maintain boiler performance and life, ensure all system water remains free of debris and is treated to manage hardness and corrosion by use of inhibitors throughout the boiler life. Omissions could lead to failures that are not covered by our guarantee. See website for full terms and conditions.



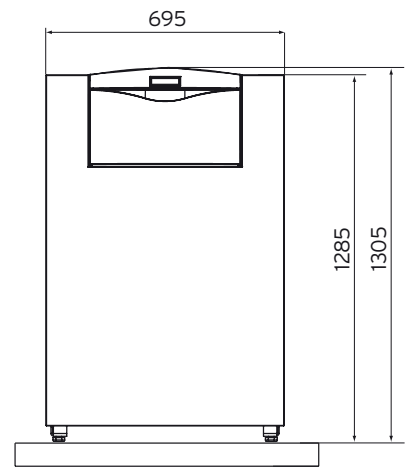
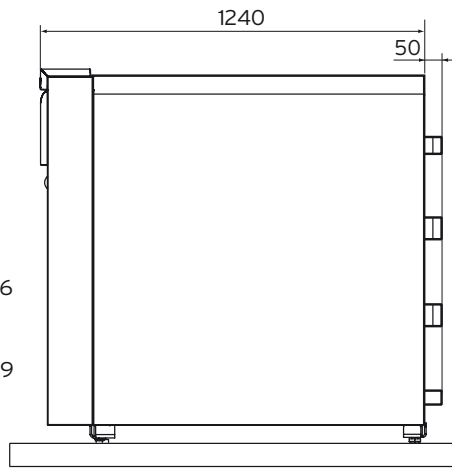
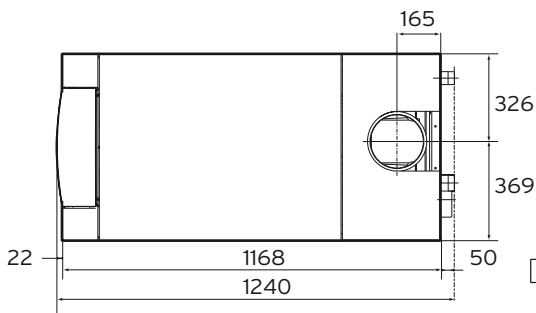
Recommended minimum distances for installation.

Once installed it is not necessary to ensure a particular clearance between the boiler and combustible materials or components as the boiler will always be less than 65°C at its rated heating output. It is recommended that a minimum of 500mm clearance is provided in front of the boiler to ensure easy access for servicing.



Pipe connection dimensions

Heights are approximate and can vary with foot adjustment (-5mm to +10mm)



Dimensions		80kW	120kW	160kW
Product dimensions, height	mm	1285		
Product dimensions, width	mm	695		
Product dimensions, depth	mm	1240		
Weight, with packaging	kg	230	255	275
Weight, without packaging	kg	200	220	235
Weight, ready for operation	kg	210	235	255

Sales Support

Vaillant products are available to purchase from reputable heating merchants in the UK. To find contact details for your nearest Vaillant sales representative:

Telephone: 0345 602 0262

Website: www.vaillantcommercial.co.uk

Technical Enquiries

For technical assistance:

Telephone: 0344 693 3133

Email: technical@vaillant.co.uk

General Enquiries

If you have a general enquiry our friendly reception staff will happily point you in the right direction:

Telephone: 0345 602 2922

Specifiers

We can provide you with bespoke solutions to accommodate a variety of different installations. To discuss your requirements or find contact details for your nearest sales representative:

Telephone: 0345 602 0262

Website: www.vaillantcommercial.co.uk

Commercial Systems Service

For commercial systems servicing and commissioning:

Telephone: 0207 022 0927

Email: commercial@vaillant.co.uk

Training Enquiries

Vaillant provide many different training courses. For more information:

Telephone: 0345 601 8885

Email: training.enquiriesuk@vaillant-group.com

Vaillant Group UK Ltd

Nottingham Road, Belper, Derbyshire DE56 1JT

Telephone: 0345 602 2922 www.vaillantcommercial.co.uk info@vaillant.co.uk

