

ecoCRAFT 200kW, 240kW & 280kW

Floor standing condensing boiler range

Technical specification



- The ecoCRAFT range consists of six models including 80kW, 120kW, 160kW, 200kW, 240kW and 280kW
- Modulation ranges as wide as 17% to 100%
- Modular heat exchanger design utilising a single pre-mix burner and fan to achieve part load efficiencies as high as 108.4% (net)
- NOx class 5 rating
- Adjustable maximum flow temperature from 35°C to 85°C
- ErP band A



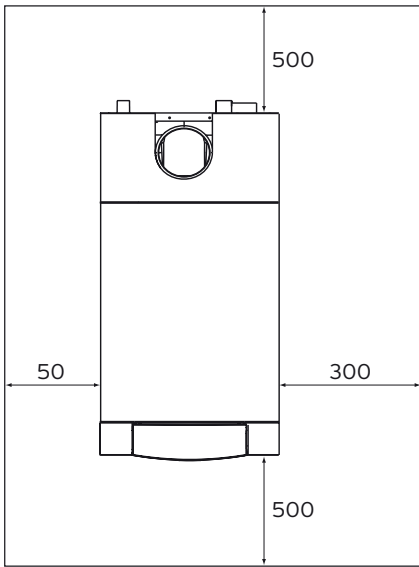
■ Heating ■ Hot water ■ Renewables

Because  **Vaillant** thinks ahead.

ecoCRAFT technical specification sheet

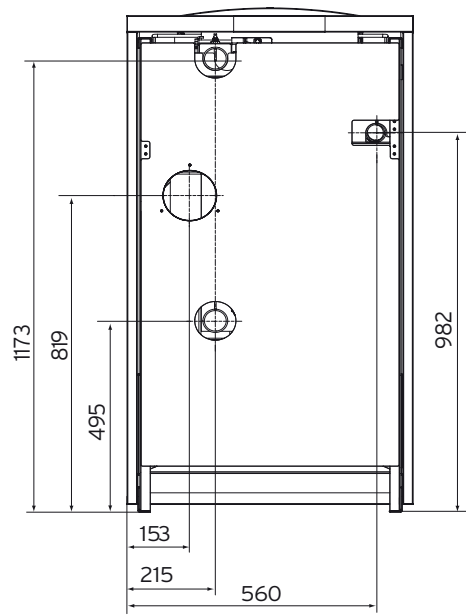
ecoCRAFT			200kW	240kW	280kW
Article number		unit	0010014391	0010014392	0010014393
Heat output range Natural gas G20 at 20mb	80/60	kW	43.1 - 196.8	47.0 - 236.2	51.0 - 275.5
	50/30	kW	45.3 - 206.0	48.2 - 241.2	53.6 - 288.4
Maximum heat input (net)		kW	200.0	240.0	280.0
Energy-related Products		band	A		
Seasonal efficiency *	NG	%	95.81	95.81	96.2
Net efficiency 100%	80/60	%	98.4		
Net efficiency 30%	50/30	%	108.2		
Gas working pressure	NG	mbar	20		
Nominal gas consumption at 15 °C 1013mb	NG	m³/h	21.2	25.4	29.6
	LPG	kg/h	Not for LPG		
NOx class 5 - 0% oxygen -Dry		mg/kWh	≤60		
Maximum flow temperature		°C	85		
Nominal CH flow rate		l/hr	8600	10330	12050
		l/s	2.39	2.87	3.35
Loss across heat exchanger		mbar	95	100	105
Pump head (0020180028)		mbar	610	500	320
Standby loss Δt = 50 K		%	<4		
Maximum power consumption		W	320		
Standby power consumption		W	<8		
Supply voltage / frequency / current			230V / 50Hz / 4A		
IP rating			IP20		
Noise level - load EN 15036-1 dB(A) re 1 pW		Full	68.5	69.8	74.8
		Part	47.8	46.8	47.1
Dimensions - H x W x D		mm	1285 x 695 x 1550		
Internal water capacity		l	12.73	15.05	17.37
Acidity level		PH	6.5 - 8.5		
Flue / air duct		Ø mm	200 / 130		
Connection size (B23p)		mm	200		
Certification for GB			C33, C43, C53, C93, C63, C83, B23, B23p		
Maximum horizontal flue length		m	3		
Maximum vertical flue length, subject to design	Ø 200mm	m	50		
Flue mass flow Qmax	NG	g/s	88.4	106.1	123.8
Flue gas temperature range		°C	60-70		
Fan pressure B23p in single		Pa	150		
Flow and return connections		BSP female	2"		
Gas connection		BSP female	1 1/2"		
Condensate (PH range 3.5-4.0)		l/h	34	40	47
Condensate connection pipe		Ø mm	19 ID (24 OD)		
Maximum operating pressure		bar	6		
High efficiency pump (0020180028)		EEl	≤0.23		
Test registration		CE	0063BS3740		
* In accordance with the non-domestic building services compliance guide 2013					

Water quality - To maintain boiler performance and life, ensure all system water remains free of debris and is treated to manage hardness and corrosion by use of inhibitors throughout the boiler life. Omissions could lead to failures that are not covered by our guarantee. See website for full terms and conditions.



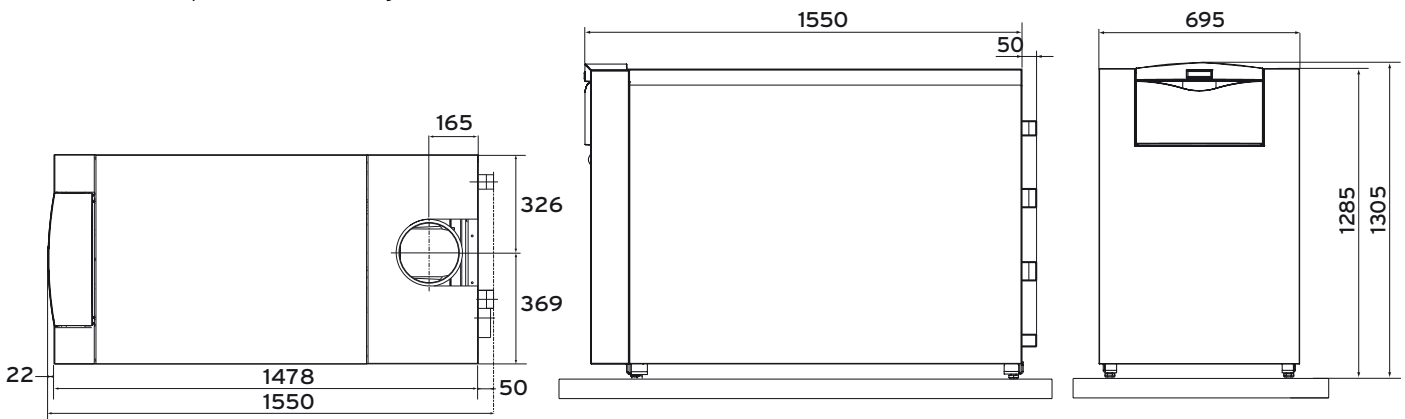
Recommended minimum distances for installation.

Once installed it is not necessary to ensure a particular clearance between the boiler and combustible materials or components as the boiler will always be less than 65°C at its rated heating output. It is recommended that a minimum of 500mm clearance is provided in front of the boiler to ensure easy access for servicing.



Pipe connection dimensions

Heights are approximate and can vary with foot adjustment (-5mm to +10mm)



Dimensions		200kW	240kW	280kW
Product dimensions, height	mm	1285		
Product dimensions, width	mm	695		
Product dimensions, depth	mm	1550		
Weight, with packaging	kg	325	345	365
Weight, without packaging	kg	275	295	310
Weight, ready for operation	kg	300	320	340

Customer service support contact details

Sales Support

Vaillant products are available to purchase from reputable heating merchants in the UK. To find contact details for your nearest Vaillant sales representative:

Telephone: 0345 602 0262

Website: www.vaillantcommercial.co.uk

Technical Enquiries

For technical assistance:

Telephone: 0344 693 3133

Email: technical@vaillant.co.uk

General Enquiries

If you have a general enquiry our friendly reception staff will happily point you in the right direction:

Telephone: 0345 602 2922

Specifiers

We can provide you with bespoke solutions to accommodate a variety of different installations. To discuss your requirements or find contact details for your nearest sales representative:

Telephone: 0345 602 0262

Website: www.vaillantcommercial.co.uk

Commercial Systems Service

For commercial systems servicing and commissioning:

Telephone: 0207 022 0927

Email: commercial@vaillant.co.uk

Training Enquiries

Vaillant provide many different training courses. For more information:

Telephone: 0345 601 8885

Email: training.enquiriesuk@vaillant-group.com

Vaillant Group UK Ltd

Nottingham Road, Belper, Derbyshire DE56 1JT

Telephone: 0345 602 2922 www.vaillantcommercial.co.uk info@vaillant.co.uk

