

BAXI FIRES DIVISION

INSTALLER GUIDE

Model 946

fitted with

Anthem, Aura 2, Blenheim, Camden,
Coast, Debut, Fusion,
Homeflame Traditional, Minima, Sonnet or
Quantum fascia.



INSET LIVE FUEL EFFECT GAS FIRE

(GC No. 32-032-63)

**THIS APPLIANCE IS FOR USE WITH NATURAL GAS (G20).
WHEN CONVERTED USING CONVERSION KIT NO. 0595231 THIS
APPLIANCE IS FOR USE WITH PROPANE GAS (G31).
THIS APPLIANCE IS SUITABLE ONLY FOR INSTALLATION IN THE UNITED
KINGDOM (GB) AND THE REPUBLIC OF IRELAND (IE).**

We trust that these instructions give sufficient details to enable this appliance to be installed and maintained satisfactorily. However, if further information is required, our

Baxi Fires Division Technical Helpline will be pleased to help.

Telephone **08706 061 065** (National call rates apply in the United Kingdom).

In the Republic of Ireland telephone **0044 8706 061 065**.

INSTALLER: Please leave this guide with the owner

BAXI • VALOR • WONDERFIRE

INSTALLER GUIDE

Safety First.

Baxi Fires Division fires are CE Approved and designed to meet the appropriate British Standards and Safety Marks.



Quality and Excellence.

At the heart of every Baxi Fires Division fire.

All Baxi Fires Division fires are manufactured to the highest standards of quality and excellence and are manufactured under a BS EN ISO 9001 quality system accepted by the British Standards Institute.



The Highest Standards

Baxi Fires Division is a member of the Society of British Gas Industries which works to ensure high standards of safety, quality and performance.



Careful Installation

Baxi Fires Division is a CORGI registered company. All our gas fires must be installed by a competent CORGI Registered Installer in accordance with our Installer Guide and should not be fitted directly on to a carpet or floor of combustible material.

B A X I F I R E S D I V I S I O N

Baxi Fires Division, Erdington, Birmingham B24 9QP
www.firesandstoves.co.uk

Because our policy is one of constant development and improvement, details may vary slightly from those given in this publication

INSTALLER GUIDE

CONTENTS

<u>Section</u>	<u>Heading</u>	<u>Page</u>
1.	SAFETY	4
2.	APPLIANCE DATA	5
3.	GENERAL INSTALLATION REQUIREMENTS	6
4.	PACK CONTENTS	14
5.	FIREPLACE CHECK	16
6.	IGNITION CHECK	17
7.	GAS SUPPLY CONNECTION	17
8.	PREPARING APPLIANCE FOR INSTALLATION	18
	8.1 Appliance preparation.	18
	8.2 Fitting the 'push on' fascia trim for the Blenheim, Sonnet, Homeflame Traditional, Anthem, Debut, Aura 2 & Minima models.	18
	8.3 Fitting the foam seal (All models).	18
	8.4 The flue restrictor.	19
	8.5 Fitting the Quantum fascia hanging bracket.	19
9.	HOTBOX INSTALLATION	20
10.	BURNER INSTALLATION	22
	10.2.1 Lighting the burner.	23
	10.2.2 Operating the burner.	23
	10.3 Inlet pressure check.	23
	10.4 Fitting the burner tray trim	24
11.	CERAMIC COALS INSTALLATION	24
12.	CERAMIC PEBBLES INSTALLATION	28
13.	FULL OPERATING CHECKS	32
14.	FASCIA AND FIREFRONT INSTALLATION	33
15.	SPILLAGE AND FLAME SUPERVISION CHECKS	36
16.	FINAL REVIEW	38
17.	SERVICING AND PARTS REPLACEMENT	39
	17.1 Checking the aeration setting of the burner.	40
	17.2 To remove the burner unit.	40
	17.3 To remove the pilot unit.	41
	17.4 To remove the gas valve.	41
	17.5 To replace the burner.	42
	17.6 To remove the main burner injector.	42
	17.7 To remove the appliance from the fireplace.	42
	17.8 To remove the Anthem, Aura 2, Debut, Blenheim, Homeflame Traditional, Minima and Sonnet fascia.	42
	17.9 To remove the Quantum fascia.	43
	17.10 To remove the Camden, Fusion and Coast fascia.	43

INSTALLER GUIDE

1. SAFETY

Installer

Before continuing any further with the installation of this appliance please read the following guide to manual handling:

- The lifting weight of the appliance heat engine and hotbox is 4.4 kg. This does not include fascia or ceramics.
- One person should be sufficient to lift the fire. If for any reason this weight is considered too heavy then obtain assistance.
- When lifting always keep your back straight. Bend your legs and not your back.
- Avoid twisting at the waist. It is better to reposition your feet.
- Avoid upper body/top heavy bending. Do not lean forward or sideways whilst handling the fire.
- Always grip with the palm of the hand. Do not use the tips of fingers for support.
- Always keep the fire as close to the body as possible. This will minimise the cantilever action.
- Use gloves to provide additional grip.
- Always use assistance if required.

INSTALLER GUIDE

2. APPLIANCE DATA

This product uses fuel effect pieces and a burner compartment rear wall containing Refractory Ceramic Fibres (RCF), which are man-made vitreous silicate fibres. Excessive exposure to these materials may cause irritation to eyes, skin and respiratory tract. Consequently, it is important to take care when handling these articles to ensure that the release of dust is kept to a minimum. To ensure that the release of fibres from these RCF articles is kept to a minimum, during installation and servicing we recommend that you use a HEPA filtered vacuum to remove any dust and soot accumulated in and around the fire before and after working on the fire. When replacing these articles we recommend that the replaced items are not broken up, but are sealed within a heavy duty polythene bag, clearly labelled as RCF waste. This is not classified as “hazardous waste” and may be disposed of at a tipping site licensed for the disposal of industrial waste. Protective clothing is not required when handling these articles, but we recommend you follow the normal hygiene rules of not smoking, eating or drinking in the work area and always wash your hands before eating or drinking.

This appliance does not contain any component manufactured from asbestos or asbestos related products.

Gas	Natural (G20)	Propane (G31) *
Inlet Pressure	20mbar	37mbar
Input - Max. (Gross)	6.0kW (20,500Btu/h)	6.1kW (20,800Btu/h)
Input - Min. (Gross)	2.3kW (7,850Btu/h)	3.8kW (12,965Btu/h)
Inlet Test Pressure (Cold)	20.0 ± 1.0mbar (8.0 ± 0.4in w.g.)	37.0 ± 1.0 mbar (14.85 ± 0.4in w.g.)
Gas Connection	8mm pipe	8mm pipe
Burner Injector	SU - 074	Stereomatic size 128
Pilot & Atmosphere Sensing Device	SU 028	SU 020
Ignition	Piezo Electric. Integral with Gas Tap	Piezo Electric. Integral with Gas Tap
Aeration	See section 17.1	Non-adjustable

* When converted using Kit 0595231.

The appliance data label is located on a plate at the base of the fire. This can be seen by removing the firefront casting set / firefront.

3. GENERAL INSTALLATION REQUIREMENTS

3.1 The installation must be in accordance with these instructions.

For the user's protection, in the United Kingdom it is the law that all gas appliances are installed by competent persons in accordance with the current edition of the Gas Safety (Installation and Use) Regulations. Failure to install the appliance correctly could lead to prosecution. The Council for the Registration of Gas Installers (CORGI) requires its members to work to recognised standards.

In the United Kingdom the installation must also be in accordance with:

All the relevant parts of local regulations.

All relevant codes of practice.

The relevant parts of the current editions of the following British Standards: -

BS EN 1856 Part 1 which replaces BS 715

BS EN 1858 which replaces BS 1289 Part 1

BS EN 1806

BS EN 1856 Part 1 which replaces BS 4543 Part 2

BS 5440 Part 1

BS 5440 Part 2

BS 6461 Part 1

BS 1251

BS 5871 Part 1

BS 6891

In England and Wales, the current edition of the Building Regulations issued by the Department of the Environment and the Welsh Office.

In Scotland, the current edition of the Building Standards (Scotland) Regulations issued by the Scottish Executive.

In Northern Ireland, the current edition of the Building regulations (Northern Ireland) issued by the Department of the Environment for Northern Ireland.

In the republic of Ireland the installation must be carried out by a competent person and installed in accordance with:

- a) The current edition of IS 813 "Domestic gas installations".
- b) All relevant national and local rules in force.
- c) The current building regulations

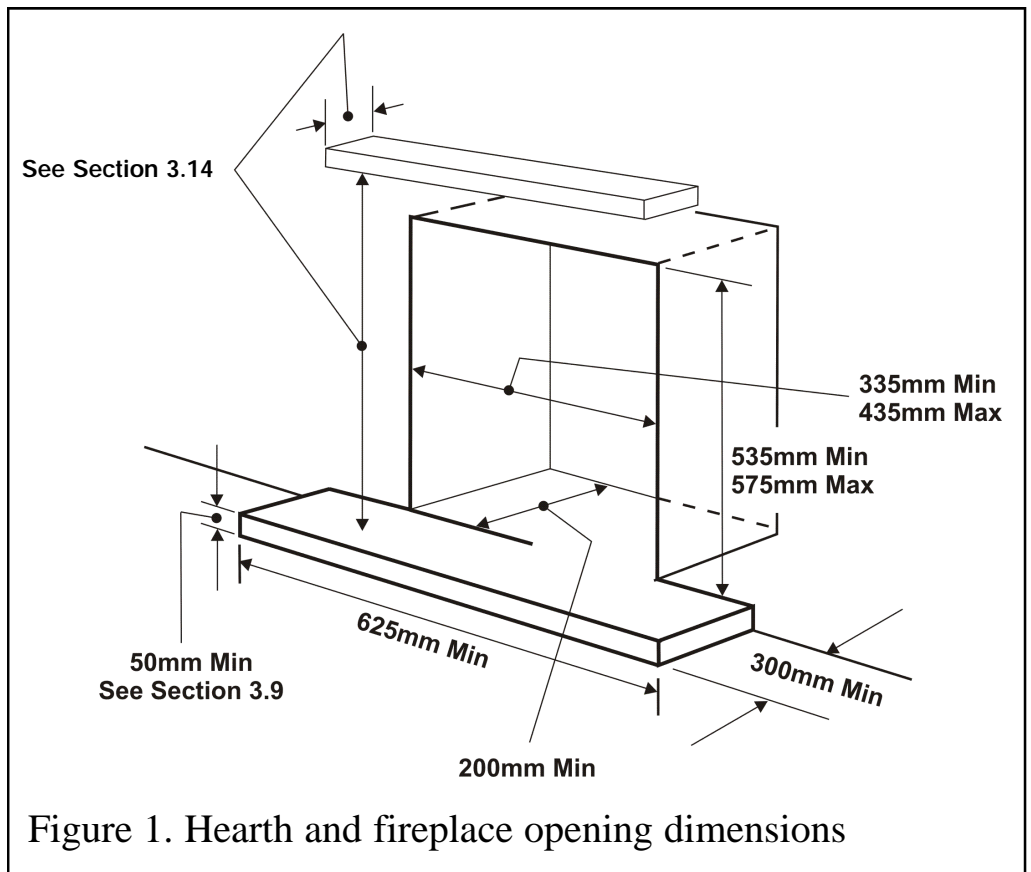
Where no specific instructions are given, reference should be made to the relevant British Standard Code of Practice.

3.2 In the United Kingdom, as supplied, this appliance can be installed in the following situations: -

3.2.1 A masonry chimney with a minimum diameter of 175mm (7") free from any obstruction, and with any damper or restrictor plate in the chimney removed or secured,

INSTALLER GUIDE

and having a minimum effective flue height of 3m (10ft). A masonry chimney having a correctly installed flue liner to BS EN 1856 Part 1 or BS715 and with a minimum flue diameter of 125mm is also acceptable. Chair brick removal may not be required providing at least 50mm clearance is available from the flue outlet to any fireplace component. The appliance is designed to cater for low lintel installations (min height



505mm) providing a minimum distance of 25mm is maintained between the lintel and the front face of the fireplace (i.e. 25mm rebated fire surround).

3.2.1.1 'Hole-in-the-wall' Installations

- It is recommended that a hearth should be installed as in section 3.9 (See figure 1).
- If a reduced depth hearth is fitted, the fire must be installed so that the distance from the base of the fireplace opening in the wall to the finished floor level is at least 72mm. Where there is no floor covering or carpet and the floor is of a type that is likely to be covered in such a way then the distance from the base of the fireplace opening in the wall to the finished floor level should be increased to at least 147mm.
- To protect from the risk of burns and ignition of clothing a tactile separator shall be used. The hearth detailed in section 3.9 meets the requirements for a tactile separator. If this is not used then a 625mm long fender, kerb, horizontal bar, or other barrier, being fixed not less than 50mm above floor level and positioned 300mm in front of the fixing plane of the fire will meet the requirement.
- If the lower part of the fascia (the firefront) is free standing, the recommended reduced hearth depth is 100mm. This is necessary to support the firefront (See figure 5 for appliance dimensions).

3.2.2 To a fireplace incorporating a metal flue box conforming to BS EN 1856 Part 1 or BS715 with a minimum internal depth of 150mm. Incombustible mineral wool insulation of not less than 50mm thickness must be applied to the top surface of the

INSTALLER GUIDE

firebox (See figure 2) and it must stand on a non-combustible hearth (See figure 1).

3.2.3 To a fireplace that has a precast concrete or clay flue block system conforming to BS1289 or BS EN 1858. The appliance is suitable for installations conforming to older versions of BS1289 as well as the current edition. The flue blocks must have a minimum width not less than 63mm and a cross-sectional area not less than $13,000\text{mm}^2$. Older editions of BS1289 required a cross-sectional area of $13,000\text{mm}^2$. The current revision of the standard requires $16,500\text{mm}^2$. This appliance is suitable in both cases. The total depth of the opening measured from the finished front of the fireplace (Including plaster, surround etc.) must be **not less than 120mm** (See figure 3).

The current versions of BS1289 and BS EN 1858 recommend that there should be an air space or insulation between the flue blocks and the plaster because heat transfer may cause cracking on directly plastered flues. However, generally this appliance is suitable for installations under all circumstances unless there is a history of cracking problems. Remember that faults such as cracking may be caused by poorly built and restrictive flues, e.g. mortar extrusions, too many bends, flue heights below three metres, restrictive terminations, etc.

3.2.4 If the fireplace opening is greater than the acceptable dimensions given in this guide, do not use the back of a fire surround or marble to reduce the opening. This may cause cracking of the surround back or marble.

3.3 The following flues are suitable:

- 225mm x 225mm conventional brick flue.

If a flue liner is used, it must be a minimum of 125mm diameter. The liner must be sealed to the surrounding area above the fireplace opening and to the top of the chimney. An approved terminal must be fitted.

- A properly constructed precast flue conforming to B.S 1289 or BS EN 1858.
- A flue pipe with a minimum diameter of 127mm. See B.S 6461 Part 1 for suitable materials. Metal flue pipes must comply with BS EN 1856 Part 1 or B.S 715.

3.3.1 The minimum effective height of the flue must be 3m.

3.3.2 The flue must be clear of any obstruction and its base must be clear of debris.

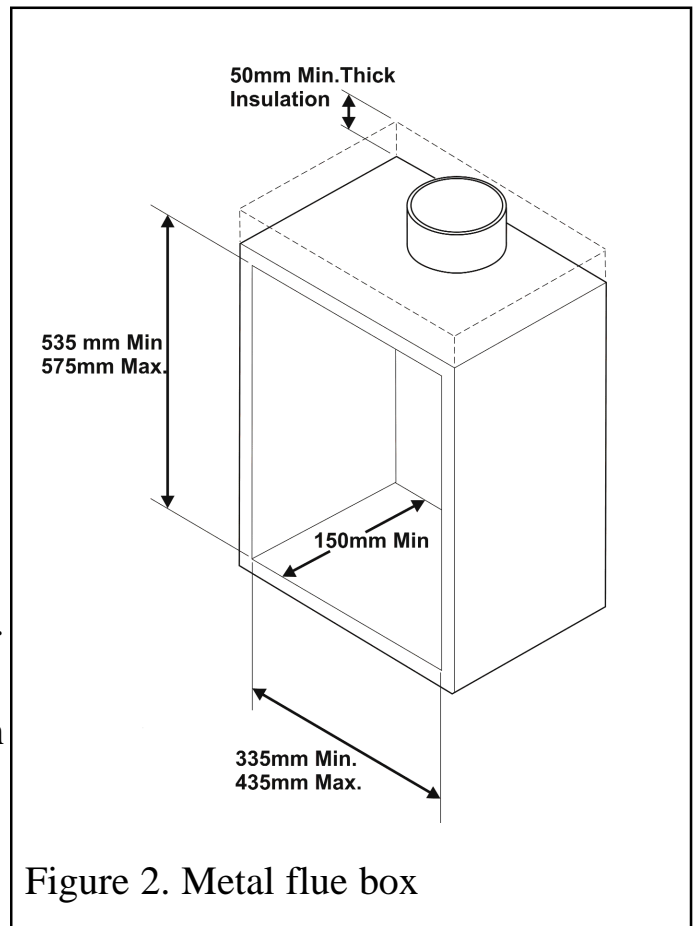


Figure 2. Metal flue box

INSTALLER GUIDE

3.3.3 The flue must be completely sealed so that combustion products do not come into contact with combustible materials outside the chimney.

3.3.4 The flue must serve only one fireplace.

3.4 The flue must conform to BS 5440: Part 1 in design and installation.

The flue, measured from the bottom of the fireplace opening to the bottom of the terminal, shall be not less than 3m in actual vertical height. When calculated in accordance with BS 5440: Part 1 Annex A, the minimum **equivalent** height of the flue shall be 2.0m of 125mm dia. flue pipe.

3.5 The flue must not be used for any other appliance or application.

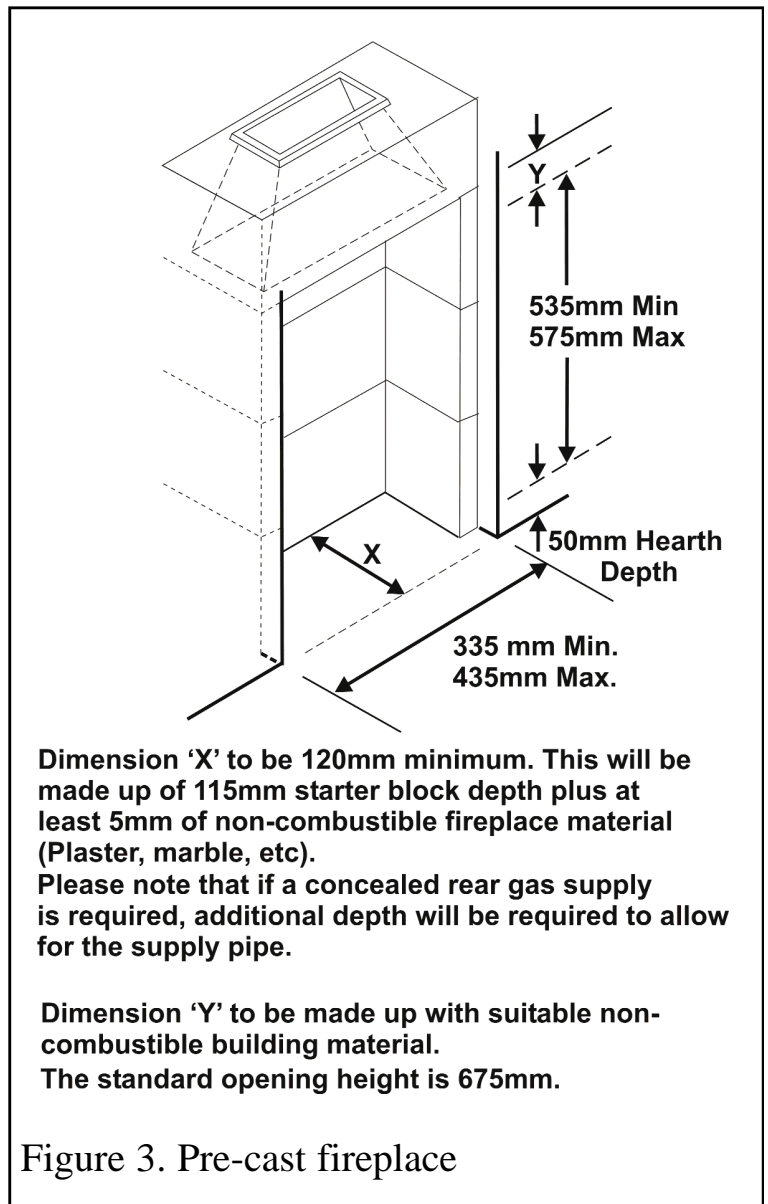
3.6 Any chimney dampers or restrictors should be removed. If removal is not possible they must be fixed in the open position.

3.7 If the appliance is intended to be installed to a chimney, which was previously used for solid fuel, the flue must be swept clean prior to installation. All flues should be inspected for soundness and freedom from blockages.

3.8 If the fireplace opening is an underfloor draught type, it must be sealed to stop any draughts.

3.9 The appliance must be mounted behind a non-combustible hearth (N.B. conglomerate marble hearths are considered as non-combustible) unless the conditions of section 3.2.1.1 are met. The appliance can be fitted to a purpose made proprietary class "O"-150°C surround. The hearth material must be at least 12mm thick. The periphery of the hearth (or fender) should be at least 50mm above floor level to discourage the placing of carpets or rugs over it.

The appliance must not stand on combustible materials or carpets (See figure 1).



INSTALLER GUIDE

3.10 The front face of the fireplace should be reasonably flat over the area covered by the hotbox top and side flange seals to ensure good sealing. These faces should be made good if necessary. The fireplace floor should be reasonably flat to ensure that a good seal with the hotbox can be made.

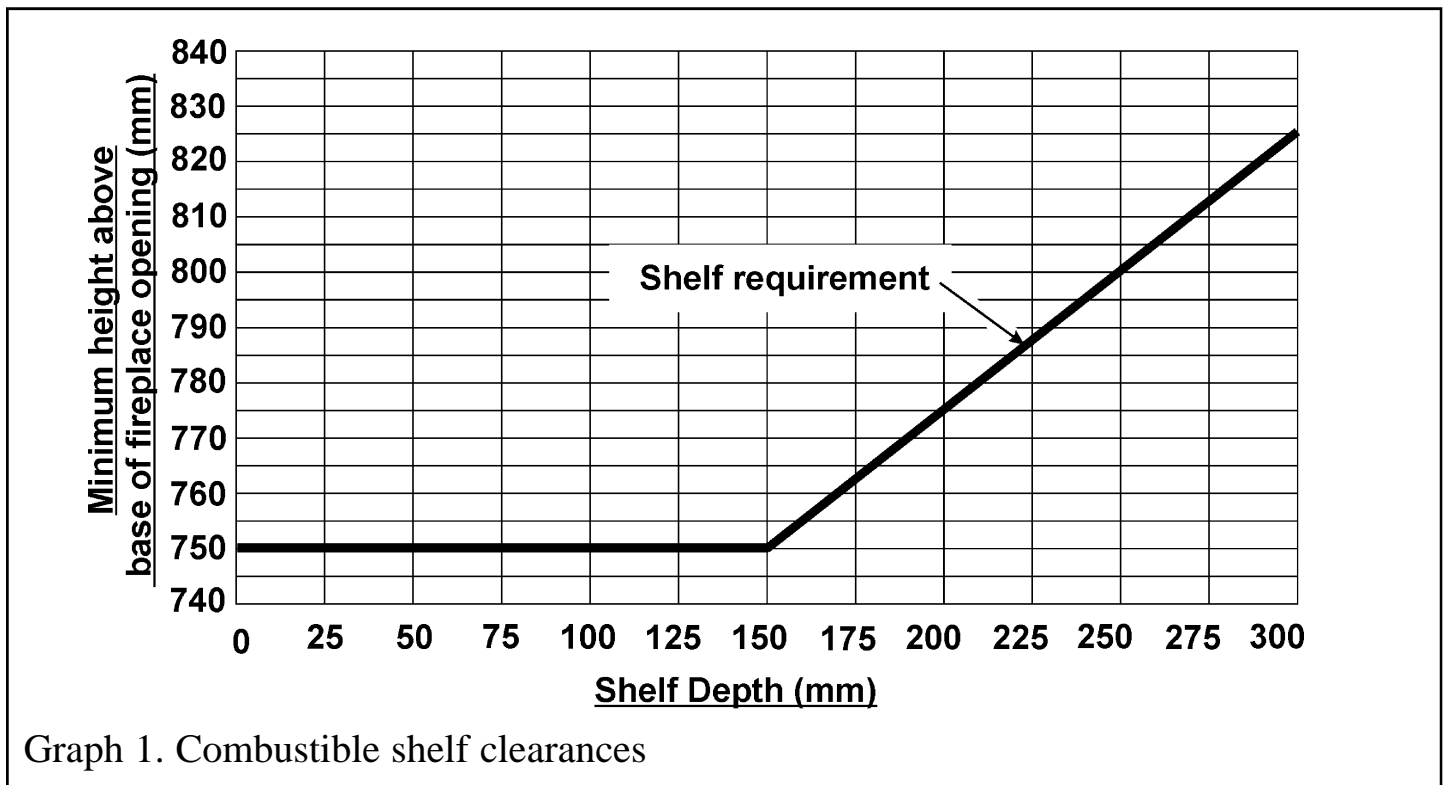
3.11 Note that soft wall coverings (e.g. embossed vinyl, etc.) are easily affected by heat. They may scorch or become discoloured when close to a heating appliance. Please bear this in mind when installing.

3.12 The appliance must not be installed in any room, which contains a bath, or shower or where steam is regularly present.

3.13 An extractor fan may only be used in the same room as this appliance, or in any area from which ventilation for the appliance is taken, if it does not affect the safe performance of the appliance. Note the spillage test requirements detailed further on in this manual. If the fan is likely to affect the appliance, the appliance must not be installed unless the fan is permanently disconnected.

3.14 The minimum height from the base of the fireplace opening to the underside of any shelf made from wood or other combustible materials is detailed below.

- *For a shelf up to 150mm deep:* Minimum height = 750mm.
- *For a shelf deeper than 150mm:* 750mm + 12.5mm for every 25mm depth over 150mm (See Graph 1).



Graph 1. Combustible shelf clearances

3.15 Normal adventitious ventilation is usually sufficient to satisfy the ventilation requirements of this appliance. In GB reference should be made to BS 5871 Part 2 and

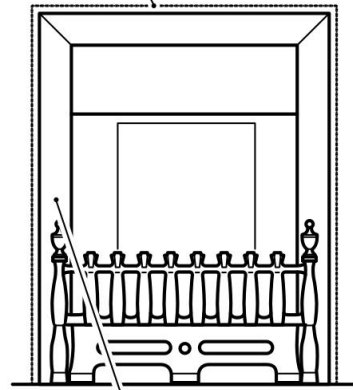
INSTALLER GUIDE

in IE reference should be made to the current edition of IS 813 “Domestic gas Installations” which makes clear the conditions that must be met to demonstrate that sufficient ventilation is available.

3.16 Propane gas appliances must not be installed in a room, which is built entirely below ground level (See BS 5871 Pt2).

3.17 If the appliance is to be fitted against a wall with combustible cladding, the cladding must be removed from the area covered by the fascia. The cladding must also not touch the fascia (See figure 4). We suggest that the actual fascia is used as a template to mark the area for combustible cladding removal and that this area is increased by at least 2mm all round.

2mm Gap to Combustible Cladding



Use fascia as template

Figure 4. Removal of combustible cladding (Fascia may differ from that shown)

3.18 The minimum allowable distance from the outside of the appliance fascia to a corner wall having combustible material or any other combustible surface which projects beyond the front of the appliance is shown in figure 5.

Figure 5 also gives the necessary access clearance from a non-combustible surface at both sides.

3.19 Proprietary terminals must comply with BS 715 or BS 1289. Any terminal or termination must be positioned in accordance with BS 5440 Part 1 to ensure that the products of combustion can be safely dispersed into the outside atmosphere. Where the appliance is connected to an unlined brick chimney it is generally unnecessary for the chimney pot to be replaced or for a terminal to be fitted unless the flue has a diameter smaller than 170mm.

3.20 The appliance is fitted with an A.S.D (Atmosphere sensing device). If the appliance closes down after a period of operation for no apparent reason, the consumer should be informed to stop using the appliance until the installation and appliance have been thoroughly checked. The A.S.D will shut the appliance down if an unacceptable amount of harmful products of combustion accumulate. Under no circumstances should the A.S.D be altered or bypassed in any way. Only a genuine manufacturers replacement part should be fitted. The individual A.S.D components are not replaceable.

3.21 A fireguard complying with BS 8423 should be fitted for the protection of young children, the elderly, or the infirm.

INSTALLER GUIDE

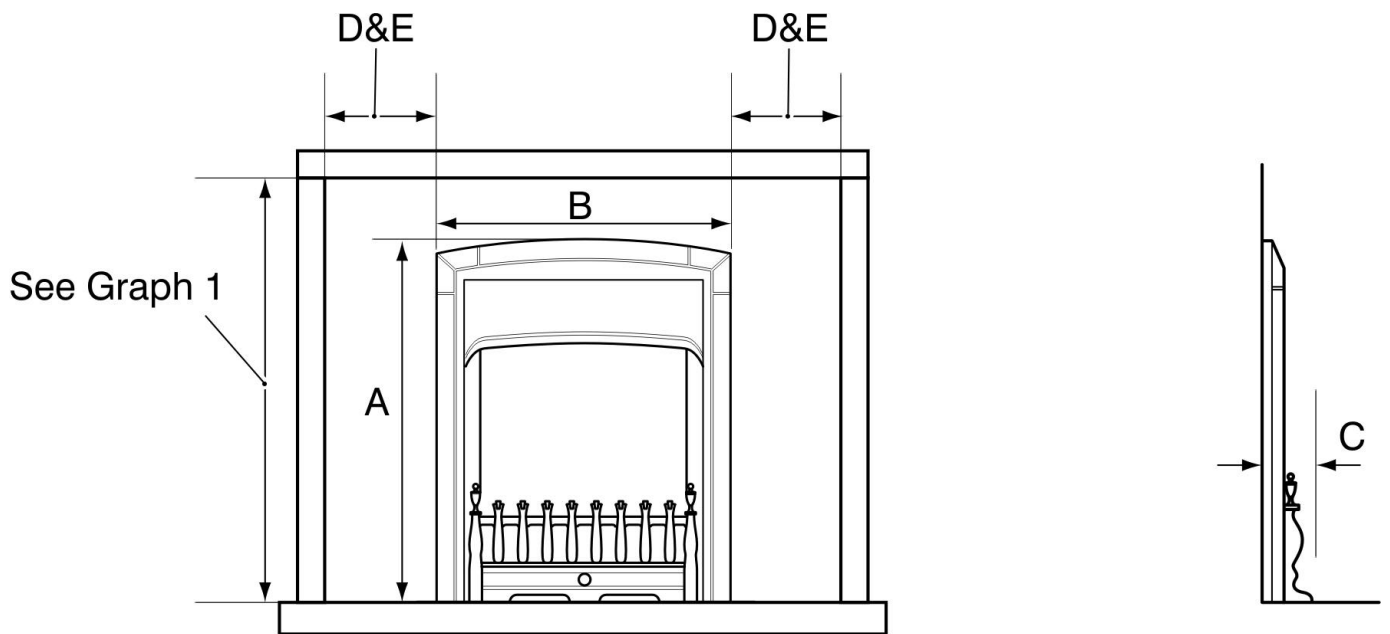


Figure 5. Appliance dimensions and clearances (Fascia may differ from that shown)
(The appliance dimensions 'A', 'B' & 'C' shown in the table are subject to manufacturing tolerance)

INSTALLER GUIDE

Key	Description	Model								
		Blenheim, Sonnet, Homeflame Traditional,	Camden	Coast	Anthem	Quantum	Minima	Debut	Aura 2	Fusion
A	Appliance height (mm)	587.5	587.5	587.5	585	600	585	585	587.5	592
B	Appliance width (mm)	450	450	450	450	500 (including plinth)	450	450	450	450
C	Appliance depth into room (mm)	85	63	55	68	80	75	76	63	67
D	Minimum mandatory clearance to combustible surfaces projecting beyond the front of appliance (mm).	100	100	100	100	100	100	100	100	100
E	Recommended clearance to non-combustible surfaces for access purposes (mm).	10	10	10	10	50 (From fascia sides, not plinth)	10	10	10	10

INSTALLER GUIDE

4. PACK CONTENTS

Remove all the items carefully to prevent damage. Take special care when handling the ceramic components. Some items may be contained in the packaging fittings - Examine the packaging carefully before discarding. Check that all the items are present and undamaged.

Items below with a letter reference are supplied on a film wrapped card.

- | | | | |
|---|---|---|--|
| 1 | Loose parts pack including: - | 1 | Hotbox and burner assembly |
| 4 | 'A' screws (No.8 x 6) | 1 | Burner tray trim (Supplied with all 946 models but NOT to be fitted to the 'Anthem'. |
| 6 | 'B' screws (No. 8 x 10) | 1 | Length of self-adhesive foam seal |
| 2 | 'C' screws (M4 x 10) | 2 | Tension cables |
| 2 | 'D' screws (M5 x 10) | 1 | Flue restrictor |
| 1 | 'E' Quantum fascia hanging bracket. | 1 | Strip of floor sealing tape |
| 2 | 'F' Cable adjusters | 1 | Ceramic fuel effect |
| 1 | 'G' Inlet elbow including pressure test point, nut and olive. | 1 | Fascia / Fascia & firefront |
| 1 | 'H' Grommet for rear of hotbox. | 1 | Literature pack. |
| 4 | 'I' Wall fixing plugs | | |
| 4 | 'J' Screweyes. | | |

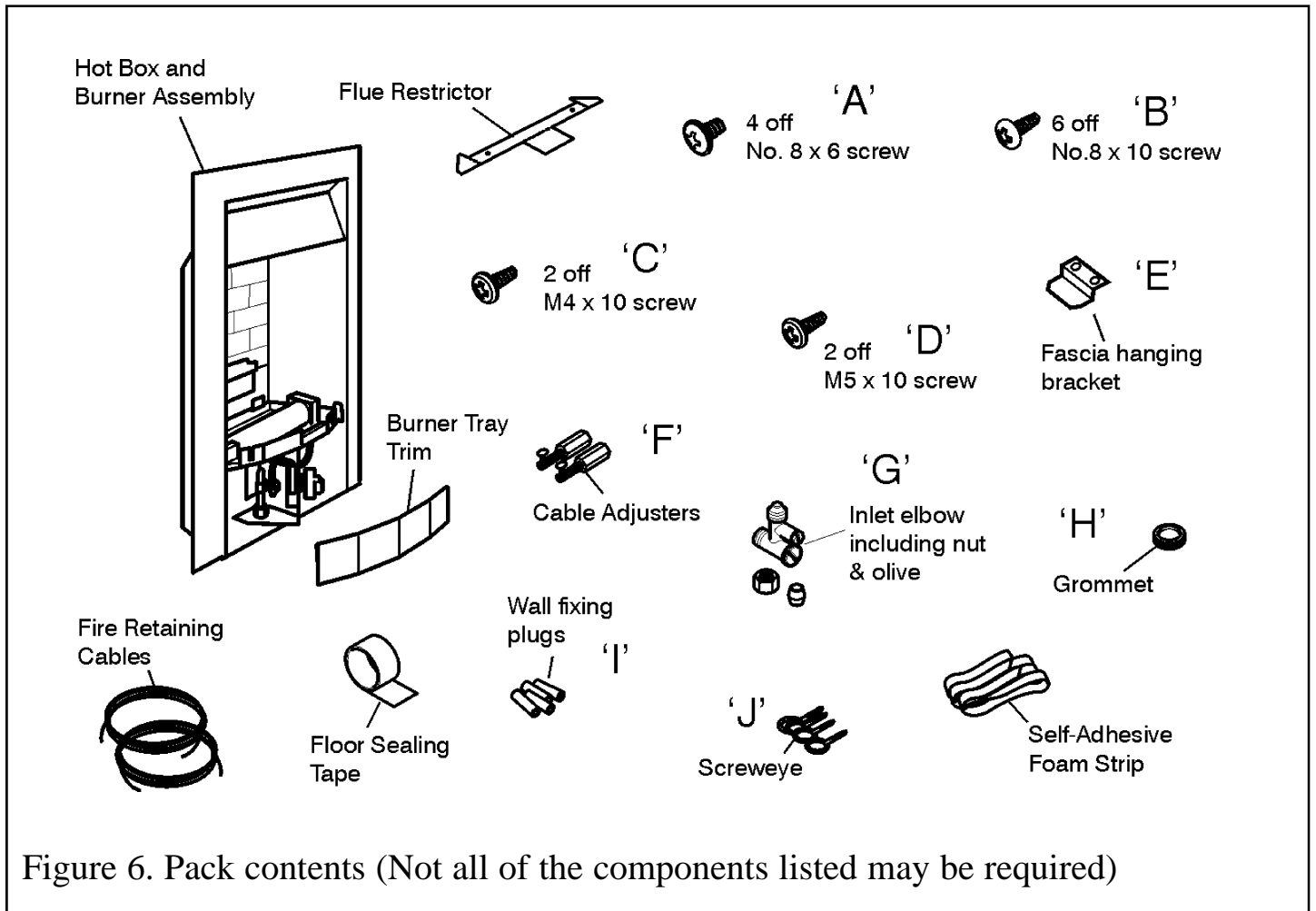
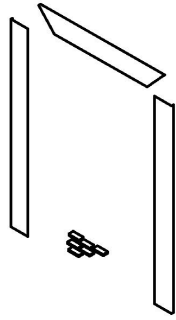


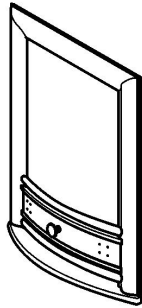
Figure 6. Pack contents (Not all of the components listed may be required)

INSTALLER GUIDE

'Magnetic' fascia trim.
Used on : Camden,
Fusion & Coast.

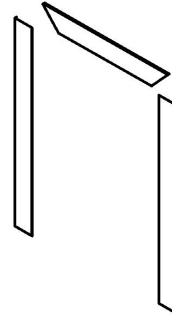


Quantum
fascia

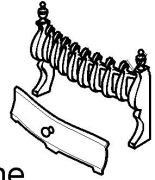


'Push on' fascia trim.

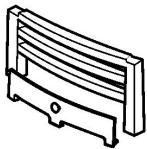
Used on: Anthem, Aura 2, Debut,
Blenheim, Homeflame Traditional,
Minima & Sonnet



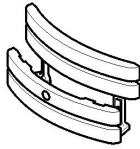
Sonnet,
Blenheim,
& Homeflame
Traditional castings



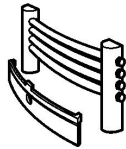
Debut
castings



Anthem
castings



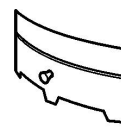
Coast
castings



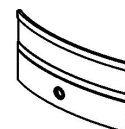
Minima
firefront



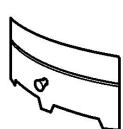
Camden
firefront.



Fusion
firefront



Aura 2
firefront

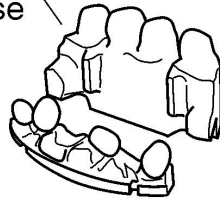


Pebble fuel effect
for use with:
Fusion,
Quantum (Pebble),
Minima &
Camden (Pebble)

Pack of 7
loose pebbles



Front pebble
base



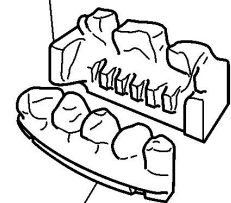
Rear pebble
base

Coal fuel effect
for use with:
Quantum (Coal).

Pack of 5
loose coals



Front coal
base



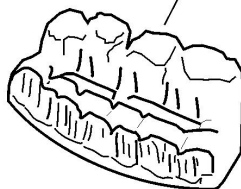
Rear coal base

Coal fuel effect
for use with:
Homeflame traditional,
Blenheim,
Sonnet,
Debut,
Camden (Coal),
& Coast.

Pack of 14 loose coals

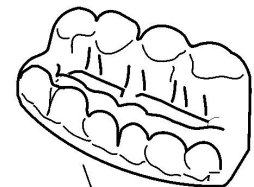


Coal base



Pebble fuel effect
for use with:
Anthem,
& Aura 2.

Pebble base



Pack of 6
loose pebbles



Figure 6. Pack contents continued.

INSTALLER GUIDE

5. FIREPLACE CHECK

5.1 Fireplace check.

5.1.1 Fireplace size

The fireplace must comply with the requirements described in section 3.2. This may entail removing the fireback and infill material behind the fireback.

5.1.2 Fireplace general condition

The fireplace floor should be reasonably flat to ensure that the hotbox can be installed without it rocking and so that a good seal can be made at the bottom front of the box. The front face of the fireplace should be reasonably flat over the area covered by the hotbox top and side flange seals to ensure good sealing. These faces should be made good if necessary. If the appliance is to be fitted against a wall with combustible cladding, the cladding must be removed from the area covered by the fascia. The cladding must also not touch the fascia (See figure 4). We suggest that the actual fascia is used as a template to mark the area for combustible cladding removal and that this area is increased by at least 2mm all round.

5.1.3 Soundness for appliance attachment

Two primary methods of retaining the appliance are provided: -

- 1) By fixing to the fireplace front surround (Not available on Blenheim, Sonnet, Homeflame Traditional, Anthem, Debut, Aura 2 or Minima models).
- 2) Using concealed tension cables fixed to the rear of the fireplace opening (Available on all models).

The methods are detailed in section 9 of this manual. Before selecting the retention method, consult with the customer. Method 2 is provided for instances where drilling holes in the front surface of the fireplace surround is unacceptable to the customer or otherwise impractical. *N.B. It is unwise to attempt to drill into marble without the proper tools and equipment.*

If method 1 is chosen, make sure that the front surround area is sound enough to take the wall plugs and screws. If necessary, make sound with a suitable cement.

If method 2 is chosen, make sure that the areas at the back and towards the centre of the fireplace floor are sound enough to take the eyescrews. If these areas have deteriorated due to prolonged use, they should be made sound with a suitable cement.

5.1.4 Installations using a metal flue box

The whole of the top surface of the metal flue box must be covered with a minimum 50mm layer of mineral wool or equivalent insulation (See figure 2).

5.2 Fireplace flue pull.

Close all doors and windows in the room in which the appliance is to be installed. After confirming with a match that smoke is drawn into the flue, light a 13 gram smoke pellet and check that there is a definite flow through the flue. Verify outside that the smoke

INSTALLER GUIDE

exits from one terminal only and that the termination is suitable. Observe where possible, upstairs rooms and loft spaces for signs of escaping smoke indicating a defective flue. If there is not a definite flow warm the flue for a few minutes and repeat the smoke pellet test. If there is still no definite flow the flue may need remedial work – **Do not fit the appliance until there is a definite flow through the flue.**

6. IGNITION CHECK

Before attempting to install, it is worth checking that the ignition system performs satisfactorily.

- Set the control knob to the 'OFF' position.
- Depress the control knob and rotate it anticlockwise to the 'pilot ignition' position. A 'click' will be heard as the integral piezo operates. A spark should be seen between the electrode and pilot tip. If there is no spark check the following: -
 - Ensure that the electrode lead is connected to the terminal at the base of the electrode.
 - If the above is correct, check for damage to the electrode lead.

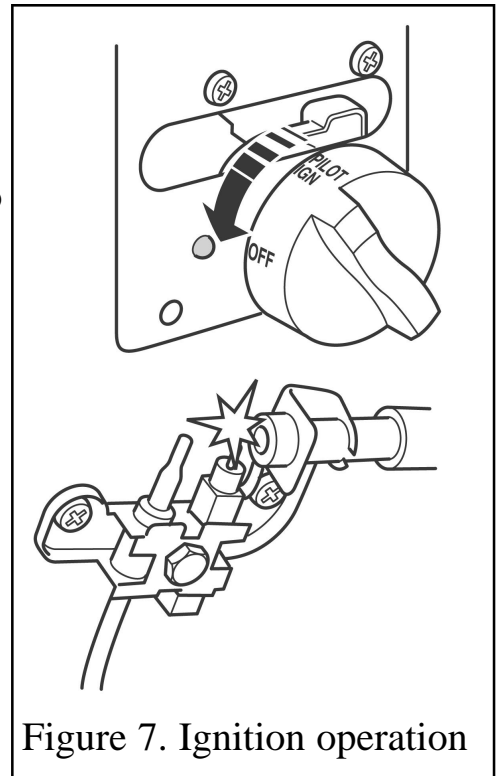


Figure 7. Ignition operation

7. GAS SUPPLY CONNECTION

A nut and olive are provided for an 8mm pipe inlet connection to the inlet elbow at the bottom front of the appliance. The inlet elbow can be rotated to allow a connection from any direction. The inlet elbow includes a valve for isolating the gas supply and a pressure test point.

The supply pipe must be rigid material. Flexible pipe must not be used.

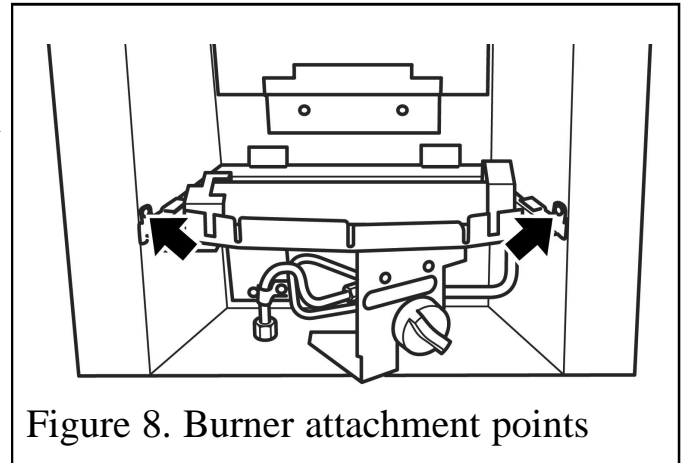
Concealed supply pipe connection.

If a concealed connection from inside the fireplace is required then, **before the appliance is fitted into the fireplace** it will be necessary to extend the supply line so that it will project through the hole in the back of the hotbox and run to the inlet elbow at the front. The pipe run from the supply line up to the rear opening in the hotbox must be kept away from the area which will be taken by the hotbox when it is installed. Note that the centre of the appliance inlet elbow is 25mm above the fireplace floor. The inlet elbow should be fitted to the supply pipe at this stage.

8. PREPARING APPLIANCE FOR INSTALLATION

8.1 Appliance preparation.

1. Remove any transit tape and packing and inspect for any evidence of mishandling which might affect the performance of the fire. Each unit is flame tested before it leaves the factory and as a result there may be slight discolouration around the burner ports.
2. Detach the burner unit from the hotbox by removing two screws (See figure 8). Lift the burner unit clear.



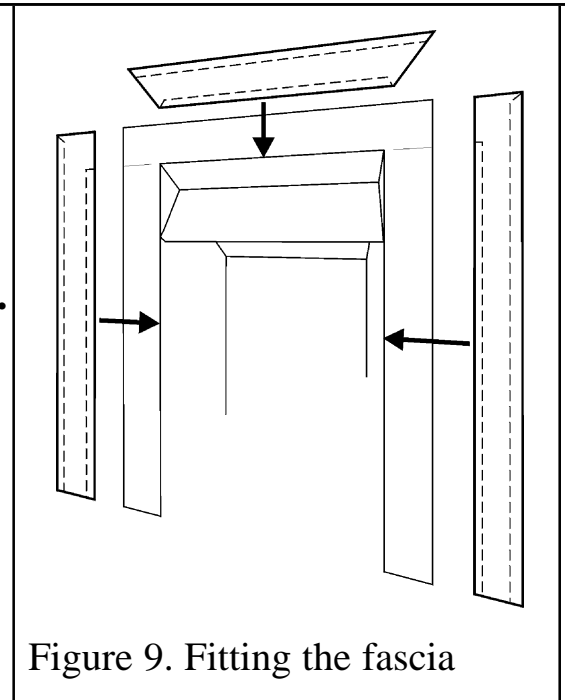
IMPORTANT

Before continuing with the installation of this gas fire the aeration setting on the burner must be checked. The aeration is factory set, but will require adjustment (See section 17.1).

3. It is important that the grommet 'H' supplied in the loose parts pack is fitted to the hole in the rear of the hotbox.

8.2 Fitting the 'push on' fascia trim for the Blenheim, Sonnet, Homeflame Traditional, Anthem, Debut, Aura 2 & Minima models.

1. The fascia is supplied in three pieces. Remove any protective film. The two longer pieces are the left and right sides. The shorter piece is the top. The left and right hand pieces have folded edges, one of which is shorter than the other. This shortened edge should be fitted at the inner top on both sides. Fit the top piece last and centralise (See figure 9).



8.3 Fitting the foam seal (All models).

There is a length of self adhesive foam seal supplied with the fire. This will need to be fitted to the outer rear edges of the side and top flanges of the hotbox. If the fire is fitted with 'push on' style fascia trim as in 8.2 above the foam seal will be fitted over the flanges of the fascia. **It is therefore important to ensure that the fascia is positioned correctly before fitting the foam seal.** Cut the foam seal to the required length. Be careful not to stretch the seal when measuring. Remove the protective backing from the foam seal and fit this to the rear of the hotbox flange (See figure 10).

INSTALLER GUIDE

8.4 The flue restrictor.

This appliance is supplied with a flue restrictor for use where the flue draught is excessive. **The restrictor must not be fitted where a precast flue or a 125mm flue liner is used.** For flue liners greater than 125mm and all other installations the restrictor should be fitted. There may however, be certain exceptional circumstances where fitting the restrictor causes the fire to fail the spillage test. In such cases the restrictor will have to be removed. After removal conduct the spillage check again. The restrictor is packed flat with the appliance and will require bending prior to fixing. Bend the restrictor as shown in figure 11. Fit the restrictor as shown in figure 12 using the two 'B' screws provided.

8.5 Fitting the Quantum fascia hanging bracket.

1. Supplied in the loose parts pack is a fascia hanging bracket 'E'. Fit this to the top of the hotbox using two of the 'A' screws supplied. (See figure 13).

The Foam Seal should touch at this point
Ensure that there is no gap between the seals

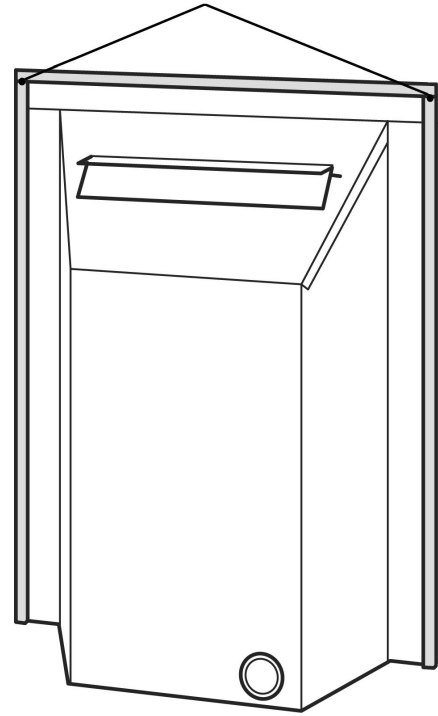


Figure 10. Fitting the foam seal

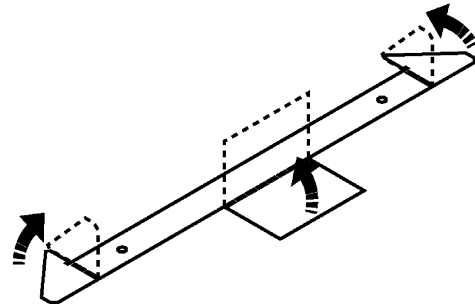


Figure 11. Bending the restrictor

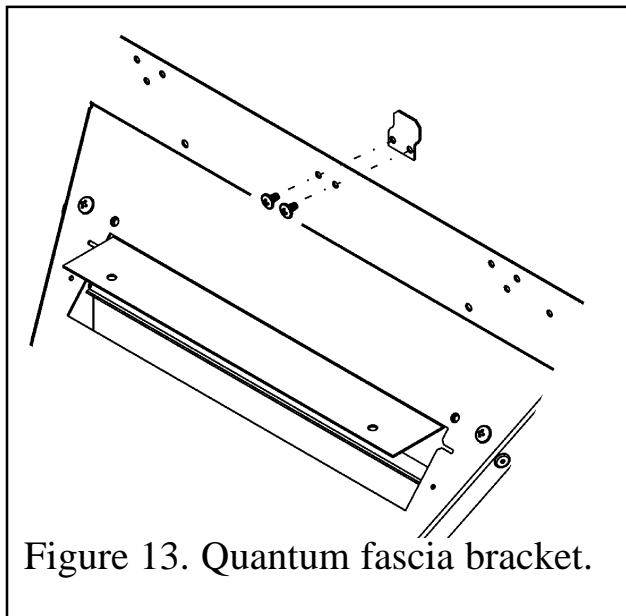


Figure 13. Quantum fascia bracket.

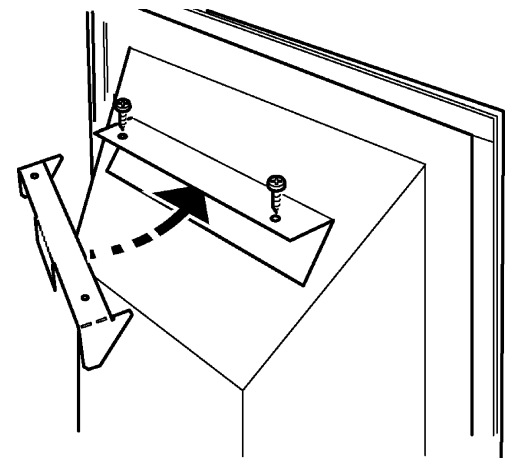


Figure 12. Fixing restrictor

INSTALLER GUIDE

9. HOTBOX INSTALLATION

9.1 Method 1- Front fixing to fireplace surround (*Not available on Blenheim, Sonnet, Homeflame Traditional, Anthem, Debut, Aura 2 or Minima models because of the 'push on' fascia trims*).

1. Make sure that the fireplace front surround area is sound enough to take the wall plugs and screws. If necessary, make sound with a suitable cement.

2. Place the hotbox centrally in the fireplace in the position in which it is to be permanently installed. If a concealed connection is being used, insert the hotbox into the fireplace feeding the supply pipe through the pierced hole in the rear seal.

3. Mark the fireplace front surround through the four fixing holes in the side flanges of the hotbox (See figure 14).

4. Remove the hotbox. Drill four holes in the fireplace front surround at the marked positions using a no.12 masonry drill.

5. Insert a wall plug 'T' into each hole.

6. Place the hotbox back in position in the fireplace.

7. Fit a suitable screw (Not supplied) through each hole in the hotbox flanges and tighten to seal the box to the fireplace surround. We recommend the use of a screw with 1 1/2 inches (38mm) length.

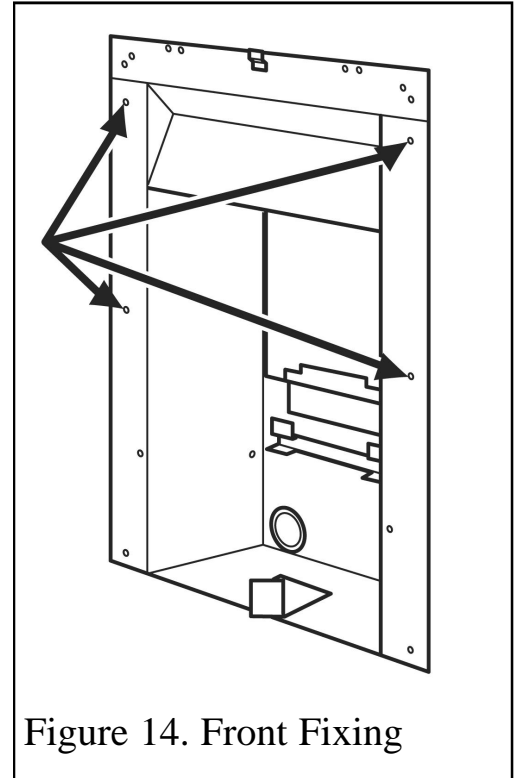


Figure 14. Front Fixing

9.2 Cable retention (*Available on all models*).

1. Make sure that the relevant areas at the fireplace back are sound enough to take the eyescrews. If these areas have deteriorated due to prolonged use they should be made sound with a suitable cement.

2. Drill four holes in the rear wall of the fireplace for the fibre plugs. The holes should be drilled within the range of positions shown in figure 15 using a no.12 masonry drill. The holes should be equidistant each side of the centre line of the fireplace to ensure that the appliance finishes centrally in the opening when tension is

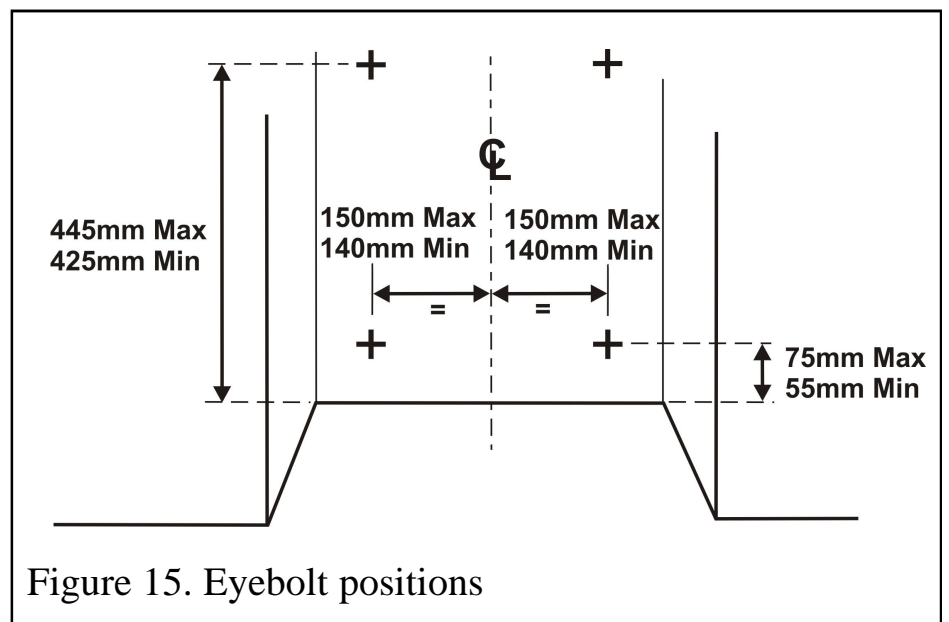


Figure 15. Eyebolt positions

INSTALLER GUIDE

applied to the cables.

3. Insert a fibre wall plug into each hole. Use the fibre wall plugs supplied with this appliance - **Never use plastic plugs instead of the fibre plugs supplied.** Screw the eyescrews into the plugs. Make sure that the eyescrews are secure.

4. Place the hotbox unit close to the fireplace but allow sufficient access into the fireplace opening so that the cables can be threaded through the eyescrews and returned through the back of the hotbox. If a concealed connection is being used, insert the hotbox into the fireplace feeding the supply pipe through the pierced hole in the rear grommet.

5. The rear of the hotbox has a slot and hole each side of the outlet opening. Assemble one end of the cable to the top of the fire by passing it through the small round hole and locking by positioning the cable in the adjacent slot (See figure 16). Give the cables a pull so that they grip.

6. Thread the cables through the eyescrews. Return the cables through the holes near the bottom of the hotbox side panels (See figure 17).

7. Place the hotbox fully back into the fireplace opening so that it is sealed against the fireplace front surround.

8. Fit a cable adjuster 'F' over the bottom end of each cable.

9. Pull each cable taut. Push the cable adjusters hard up against the back panel. Tighten the screws in the adjusters so that they clamp the cables in position. Apply tension to the cables by turning the hexagonal adjusters by hand (See figure 18).

10. Inspect the installation of the hotbox against the fireplace surround. If the hotbox is aligned squarely and the sealing is satisfactory, fully tighten the cable adjusters.

11. If the hotbox is not correctly aligned, release the tension on the cables by slackening the screws and turning the hexagonal adjusters fully anticlockwise. The hotbox should then automatically realign itself. Pull each cable taut again and push the cable adjusters back against the back panel. Again, tighten the screws in the adjusters and apply tension to the cables by turning the hexagonal adjusters clockwise as far as possible.

12. Do not cut off any excess cable, instead coil up the cable so that they are available to allow easy removal and refitting of the appliance during subsequent service calls.

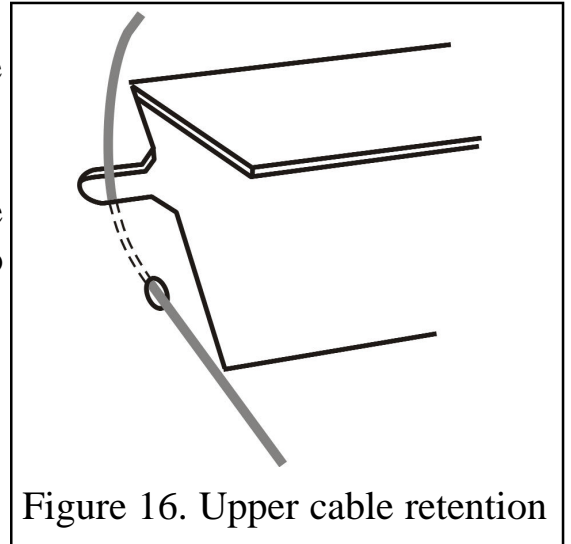


Figure 16. Upper cable retention

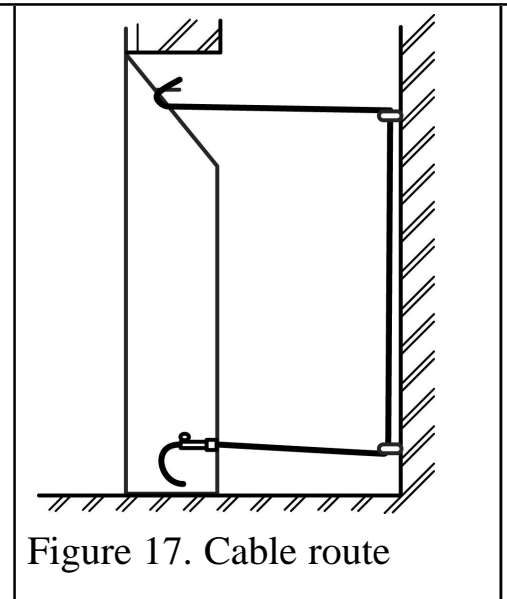


Figure 17. Cable route

INSTALLER GUIDE

9.3 Floor sealing.

Using the floor sealing tape supplied, seal the bottom of the hotbox to the fireplace and hearth floor. Run the tape over the centre bracket (See figure 19).

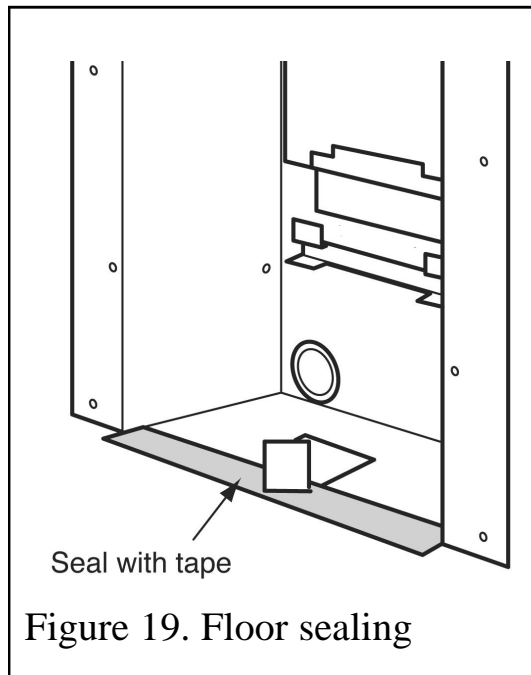


Figure 19. Floor sealing

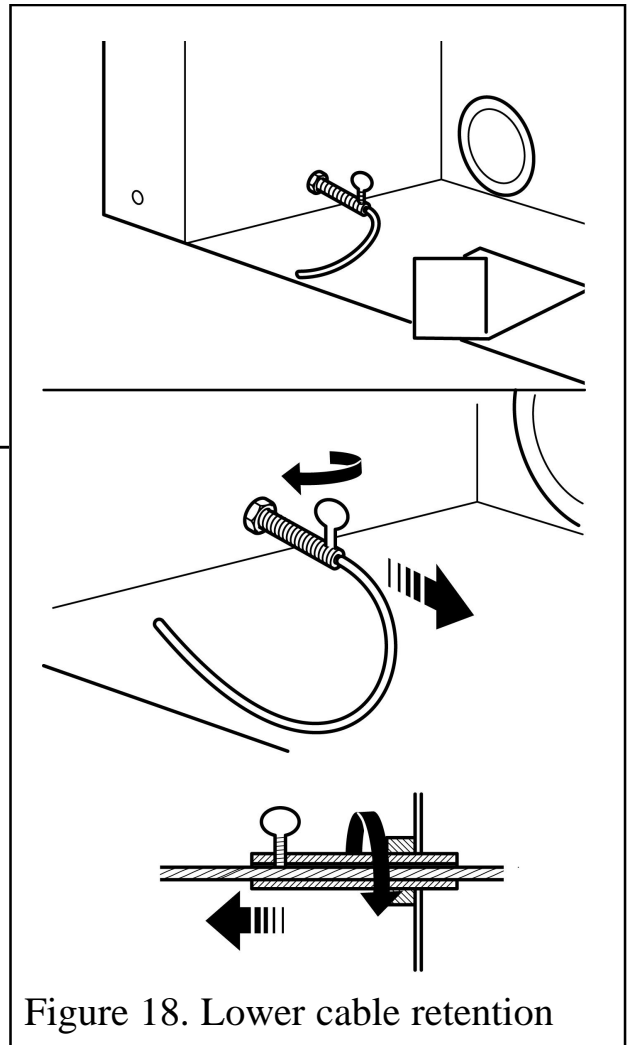


Figure 18. Lower cable retention

10. BURNER INSTALLATION

10.1 Burner and supply pipe installation.

1. Refit the burner unit to the hotbox using the two screws removed previously. The burner securing points should be on the inside of the hotbox as shown in figure 20. If the fixing points are on the front of the hotbox flange then fold back the two burner tags (See figure 21).
2. Connect the supply line to the appliance.
3. If closed, open the isolating valve at the inlet elbow.
4. Turn on the gas supply and pressure check the installation pipework for gas soundness. In the United Kingdom check in accordance with the current edition of BS 6891. In the Republic of Ireland refer to the current edition of I.S. 813 "Domestic gas installations".

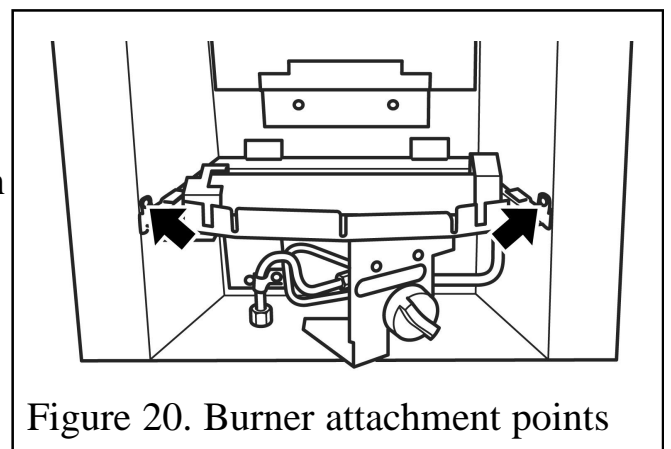


Figure 20. Burner attachment points

INSTALLER GUIDE

10.2.1 Lighting the burner.

1. Depress the control knob and rotate it anticlockwise to the 'pilot ignition' position. A 'click' will be heard as the integral piezo operates. A spark should be seen between the electrode and pilot tip.

2. Turn the control knob clockwise to the 'OFF' position. Repeat this operation until a flame appears at the pilot. There may be a delay before the pilot lights due to air being purged from the system.

When a flame appears at the pilot keep the control knob depressed and hold the pilot ignition position

for ten seconds. When the control knob is released the pilot flame should remain lit.

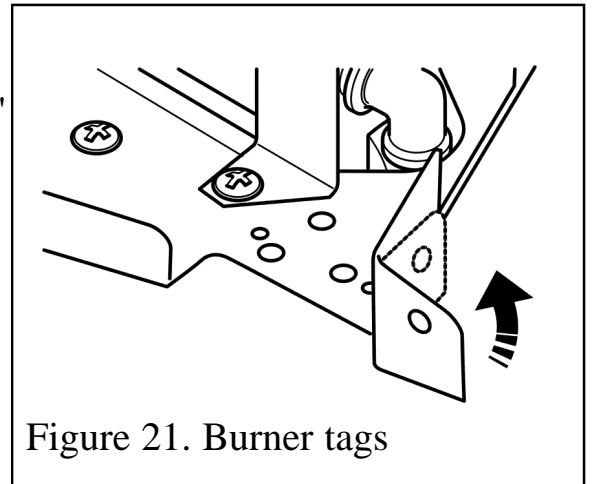


Figure 21. Burner tags

10.2.2 Operating the burner.

1. When the pilot burner is operating properly, gradually turn the control knob anticlockwise to 'HIGH' (Depress the knob slightly to get past the 'pilot ignition' position). The main burner should now light. Depress the control knob slightly to release from the 'HIGH' position and turn back (clockwise) to 'LOW'. While turning, the burner flames should gradually become lower but remain alight. Depress the control knob slightly to release from the 'LOW' position and turn back (clockwise) to the Pilot ignition position. The main burner should extinguish but the pilot should remain alight. Depress the control knob slightly and turn back (clockwise) to turn OFF.

This will extinguish the pilot.

If the above checks are satisfactory, continue with the installation. If not, check the control and ignition circuitry and components.

10.3 Inlet pressure check.

The appliance is pre-set to give the correct heat input at the inlet pressure shown in section 2 of this manual. No adjustment is necessary.

1. Check the inlet pressure by fitting a pressure gauge at the test point. The test point is on the inlet elbow (See figure 22). Check the pressure with the appliance alight and set at maximum output.

2. After checking, turn off the appliance. Remove the pressure gauge and replace the test point sealing screw.

3. Relight the appliance. Turn to the maximum output position and test around the sealing screw for gas soundness with a suitable leak detection fluid.

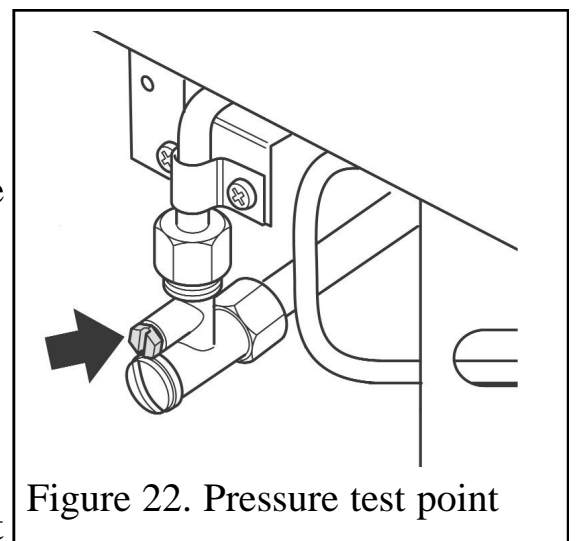


Figure 22. Pressure test point

INSTALLER GUIDE

10.4 Fitting the burner tray trim (This is supplied with all models but must NOT be fitted to the Anthem model).

1. Fit the burner tray trim over the front rim of the burner tray. Push the trim fully down (See figure 23).

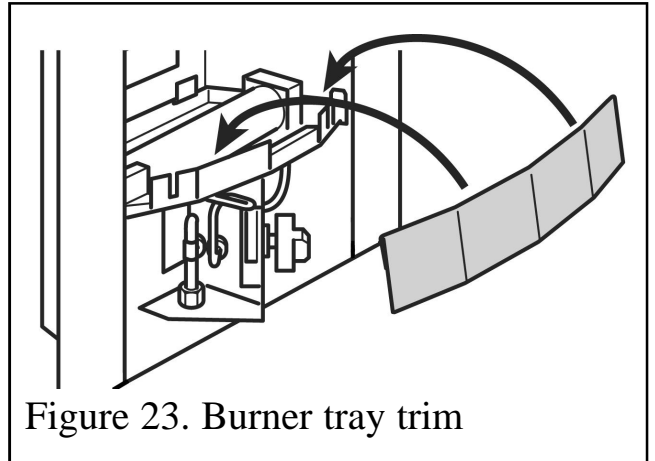


Figure 23. Burner tray trim

11. CERAMIC COALS INSTALLATION

This section is for models supplied with a ‘Coal’ fuel effect only.

For ‘Pebble fuel effect’ see section 12

11.1 Ceramic coal fuel effect installation for Homeflame Traditional, Blenheim, Sonnet, Debut, Camden & Coast models.

The ceramic fuel effect may cause staining / discolouration to decorative surfaces. It is therefore advisable to protect decorative surfaces.

1. Place the base coal in the firebox (See figure 24).

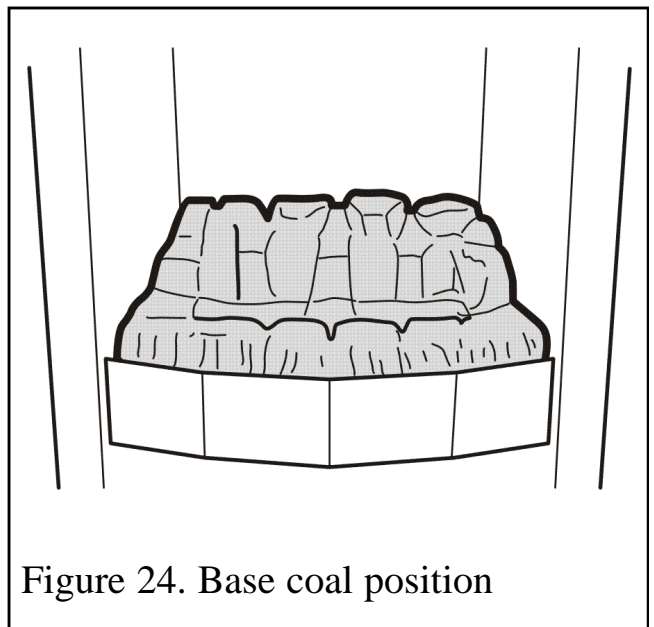


Figure 24. Base coal position

INSTALLER GUIDE

2. Install the fourteen loose overlay ceramic coals as follows. The smooth surfaces of the ceramic coals should be at the bottom and back. Place five of the ceramic coals along the top of the front base coal (See figure 25). The ceramic coals should be evenly spaced. Each ceramic coal can be rotated to give a random effect. Placing the ceramic coals with flat sides facing forward will give a very uniform appearance.

Important : *The front ceramic coals should not cover the opening slots in the base ceramic coal. If the opening slots in the base ceramic coal are covered by more than 2 -3 millimetres a poor flame picture will result (See figure 26).*

A gap is required between the outer left hand ceramic coal and the ceramic coal to its right. This is for pilot viewing.

3. Place five loose ceramic coals on top of the first row of ceramic coals. These should be evenly spaced. Rest them on the ledges above the slots in the base coal (See figure 27).

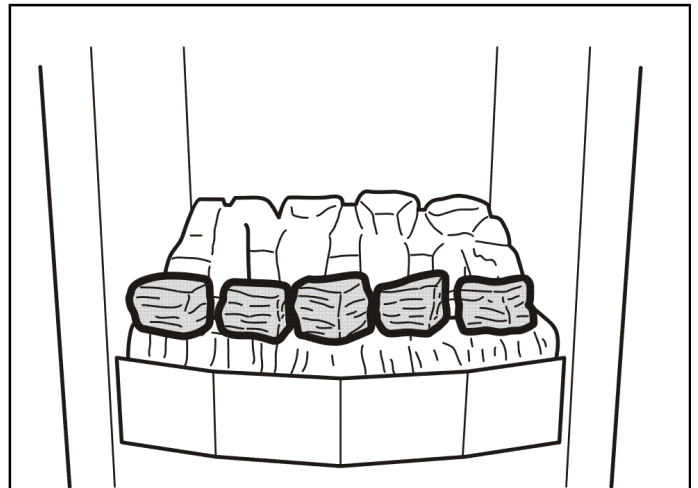


Figure 25. First row of ceramic coals

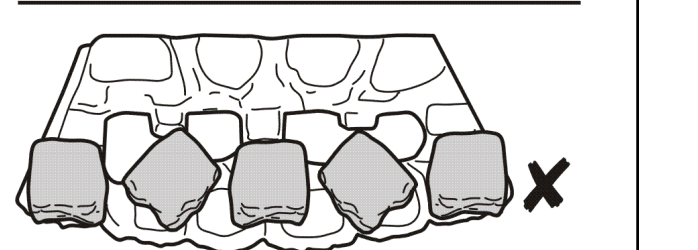
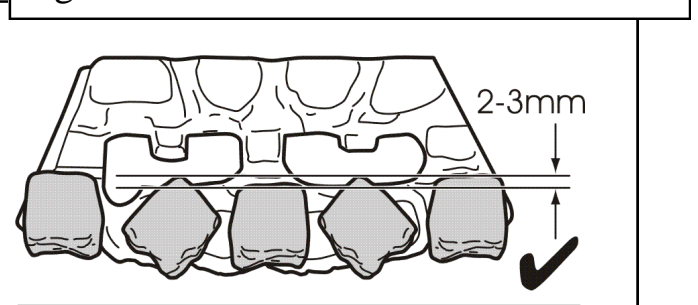


Figure 26. Ceramic coal positions



Figure 27. Second row of ceramic coals

INSTALLER GUIDE

4. Place the remaining four ceramic coals on top of the base ceramic coal rear (See figure 28).

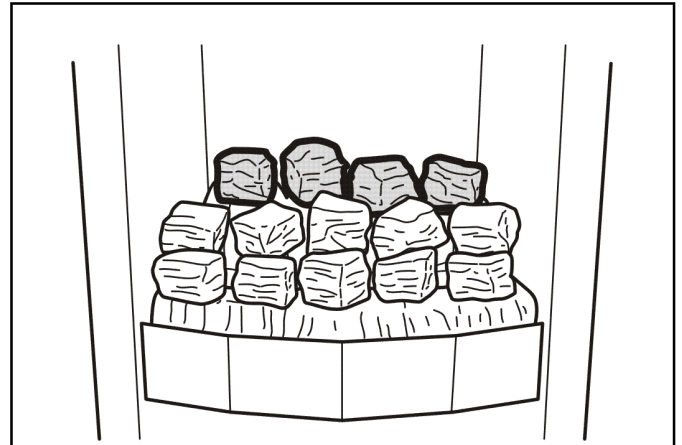


Figure 28. Third row of ceramic coals

11.2 Ceramic coal fuel effect installation for the Quantum model.

The ceramic fuel effect may cause staining / discolouration to decorative surfaces. It is therefore advisable to protect decorative surfaces.

1. Place the rear base coal in the firebox. It should rest on the ledges at the rear sides of the burner unit. When located gently move the rear base coal so that it is as far forward as possible. The amount of movement will be negligible (See figure 29).

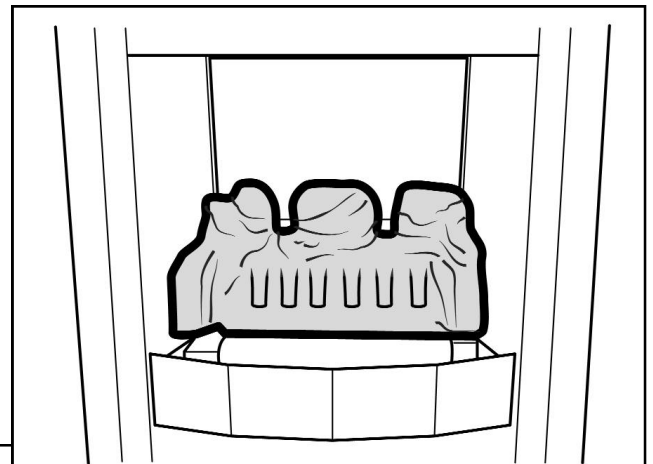


Figure 29. Rear Base Coal Position

2. Place the front base coal in the firebox with its bottom front locating over the front rim of the firebox. Pull the coal forward so that it locates immediately behind the front rim of the firebox (See figure 30). The front base coal will touch the rear base coal as it is located.

There are two types of loose coals. These are identified with the letter “A” or “B” on the underside of the coal. There are three “A” coals and two “B” coals.

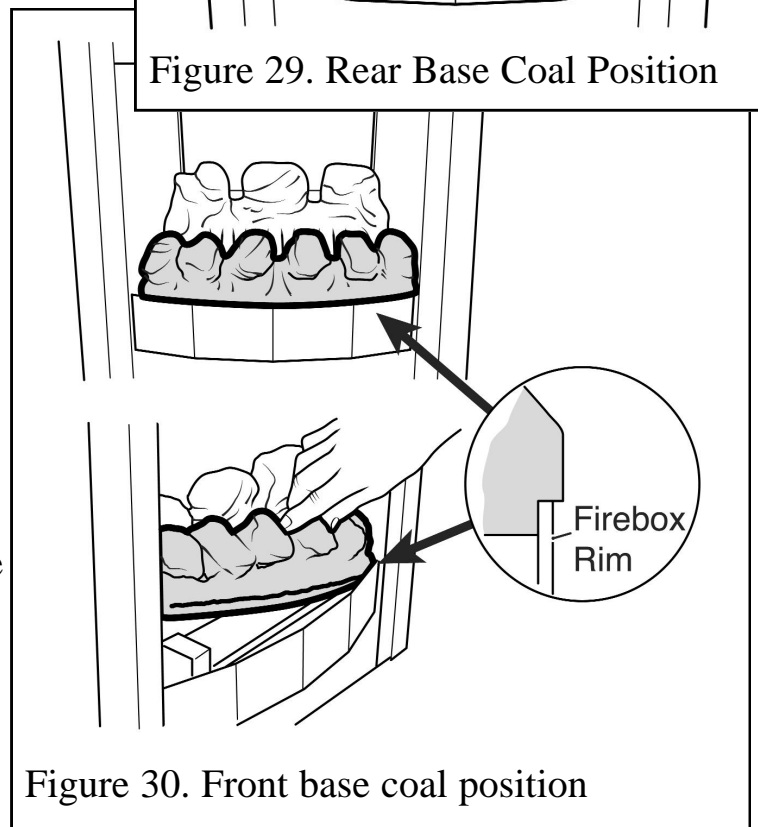


Figure 30. Front base coal position

INSTALLER GUIDE

3. Place a type “A” coal between the front and rear base coals with the letter “A” upright and so that the coal is against the left side of the firebox (See figure 31).

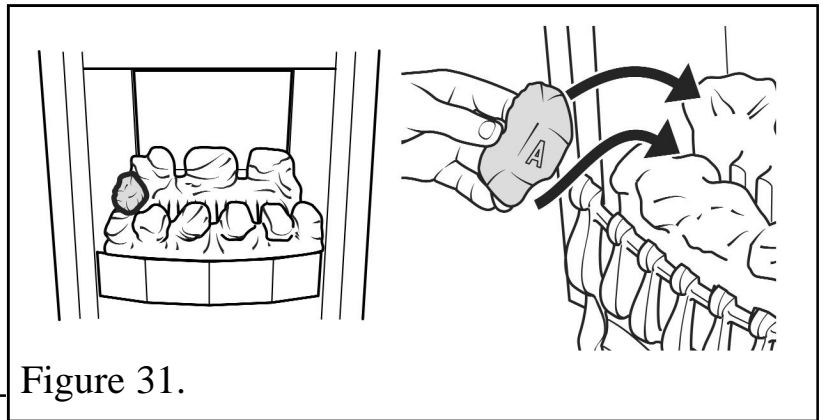


Figure 31.

4. Place a type “B” coal between the front and rear base coals as shown in figure 32. The letter “B” should be upright.

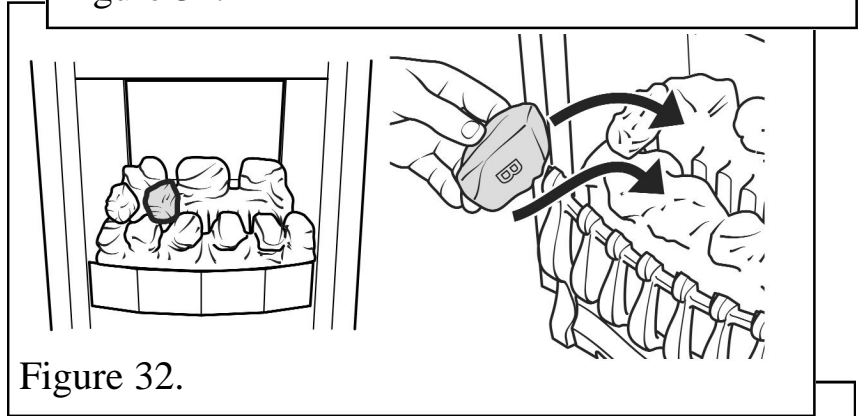


Figure 32.

5. Place a type “A” coal between the front and rear base coals with the letter “A” upright. The top of the coal should rest against the centre coal of the rear base coal as shown in figure 33.

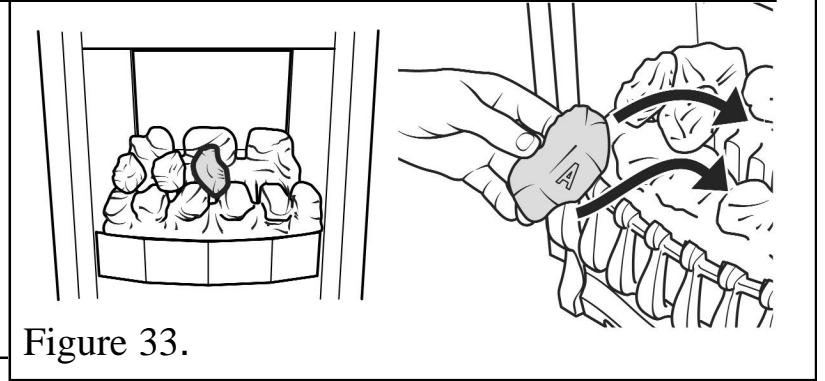


Figure 33.

6. Place the remaining type “B” coal at the right side of the firebox between the front and rear base coals. The letter “B” should be upright. The coal should touch the right side of the firebox. See figure 34.



Figure 34.

7. Place the remaining type “A” coal between the front and rear base coals. The letter “A” should be upside down with its rear face between the right and centre coals of the rear base coal. Angle the coal so that the gap between it and the type “B” coal to its right is appreciably larger than the gap between it and the type “A” coal to its left but do not have it touching the type “A” coal. This will give the best flame effect (See figure 35).

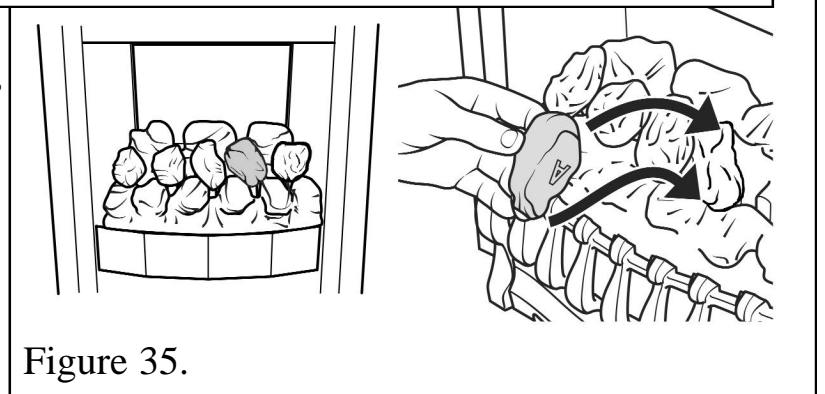


Figure 35.

INSTALLER GUIDE

12. CERAMIC PEBBLES INSTALLATION

This section is for models supplied with a 'Pebble' fuel effect only.

For 'Coal fuel effect' see section 11

12.1 Ceramic pebble fuel effect installation for Anthem & Aura 2 models.

The ceramic fuel effect may cause staining / discolouration to decorative surfaces. It is therefore advisable to protect decorative surfaces.

1. Place the base pebble in the firebox. It should rest on the ledges at the rear sides of the burner unit (See figure 36).

Install the 6 loose pebbles as follows. The underside of each pebble is marked with a letter 'A' to 'F' and an arrow.

2. The pebbles should be positioned so that the arrows always point towards the back of the fireplace opening. When located into position the stem of each arrow should be at 90° to the rear of the fireplace opening (See figure 37).

3. Hold pebble 'A' upright with the arrow pointing to the top. Place pebble "A" on top of the base pebble (See figure 37).

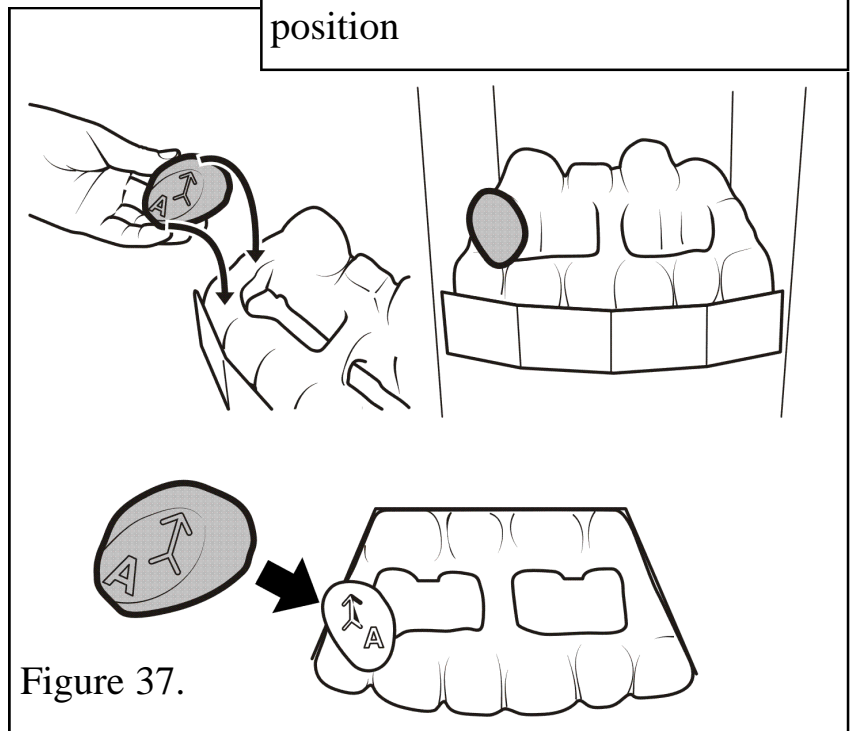
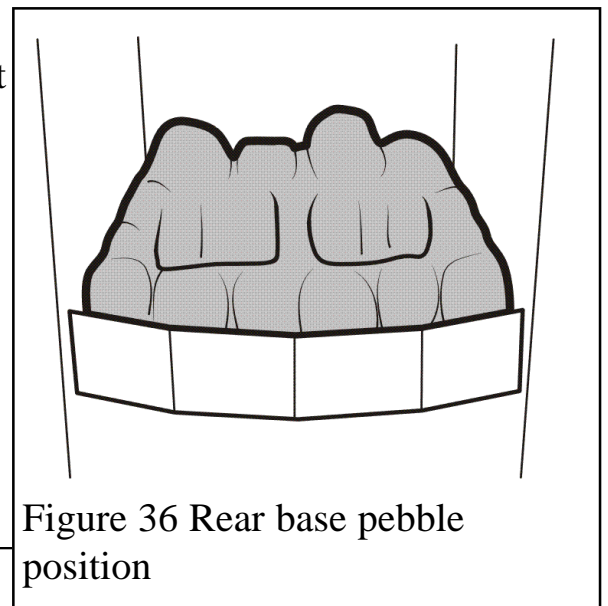
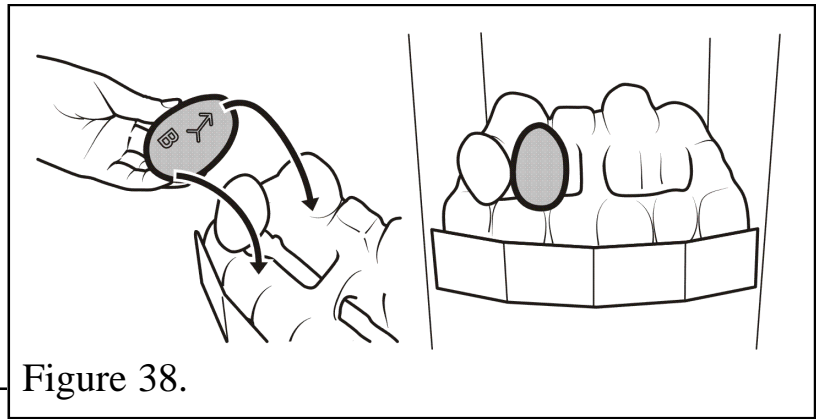


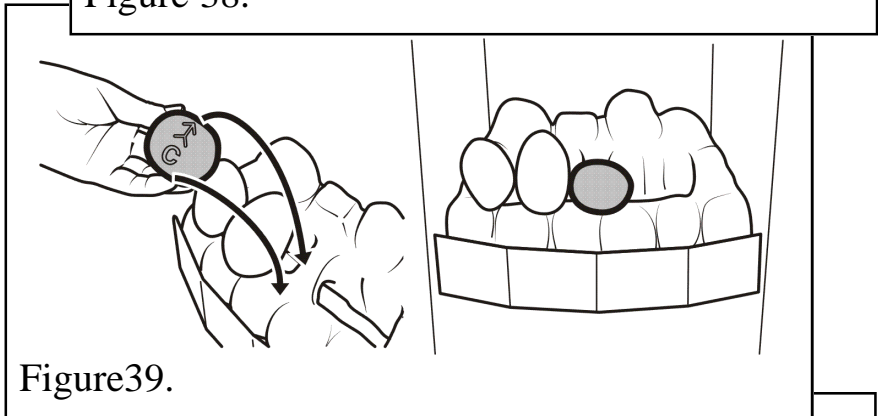
Figure 37.

INSTALLER GUIDE

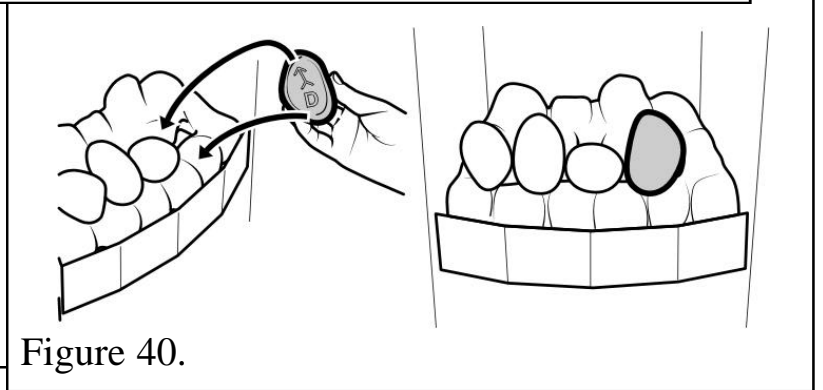
4. Hold pebble 'B' upright with the arrow pointing to the top. Place pebble "B" on top of the base pebble. (See figure 38).



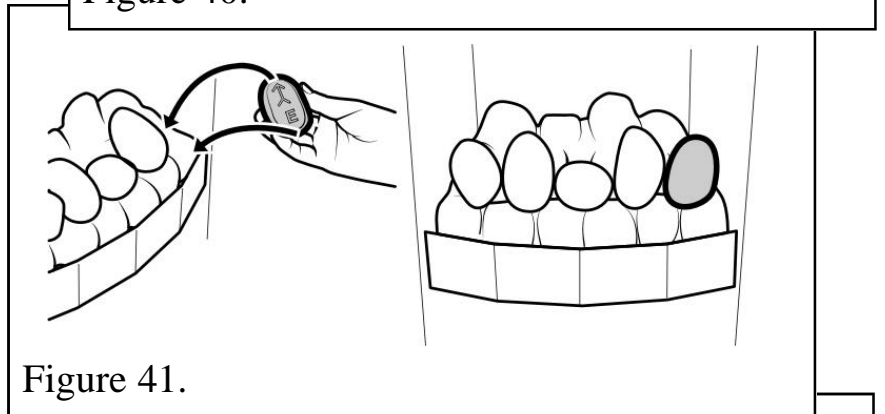
5. Hold pebble 'C' upright with the arrow pointing to the top. Place pebble "C" on top of the base pebble (See figure 39).



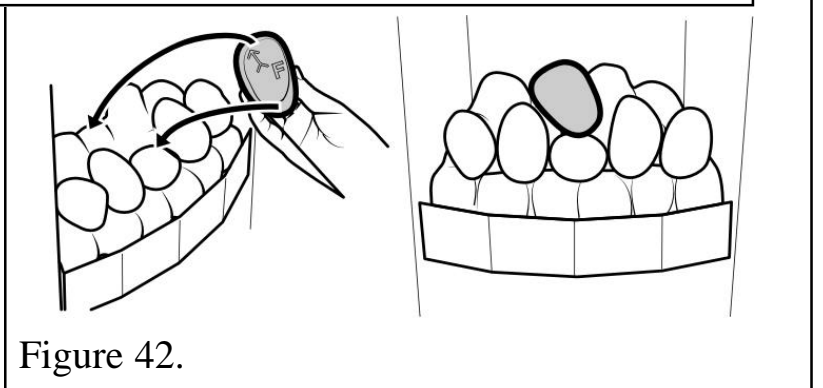
6. Hold pebble 'D' upright with the arrow pointing to the top. Place pebble "D" on top of the base pebble (See figure 40).



7. Hold pebble 'E' upright with the arrow pointing to the top. Place pebble 'E' on top of the base pebble (See figure 41).



8. Hold pebble 'F' upright with the arrow pointing to the top. Place pebble 'F' on top of pebble 'C'. It should rest against the rear of the pebble base (See figure 42).

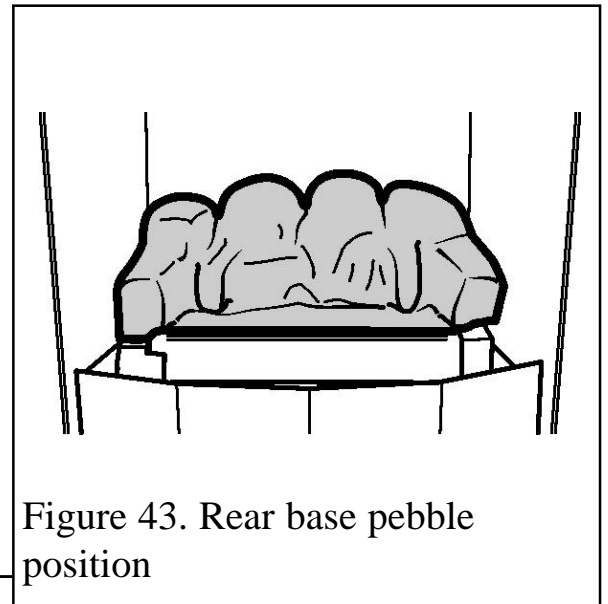


INSTALLER GUIDE

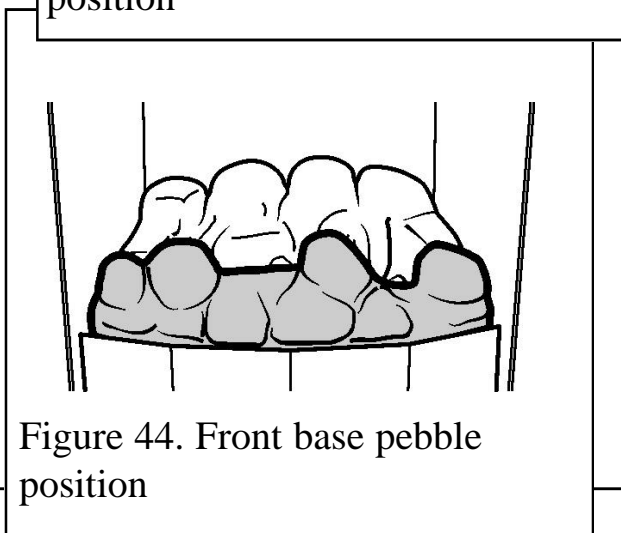
12.2 Ceramic pebble fuel effect installation for Fusion, Quantum, Minima and Camden models.

The ceramic fuel effect may cause staining / discolouration to decorative surfaces. It is therefore advisable to protect decorative surfaces.

1. Place the rear base pebble in the firebox. It should rest on the ledges at the rear sides of the burner unit (See figure 43). When located, gently move the rear base pebble so that it is as far forward as possible. The amount of movement will be negligible.



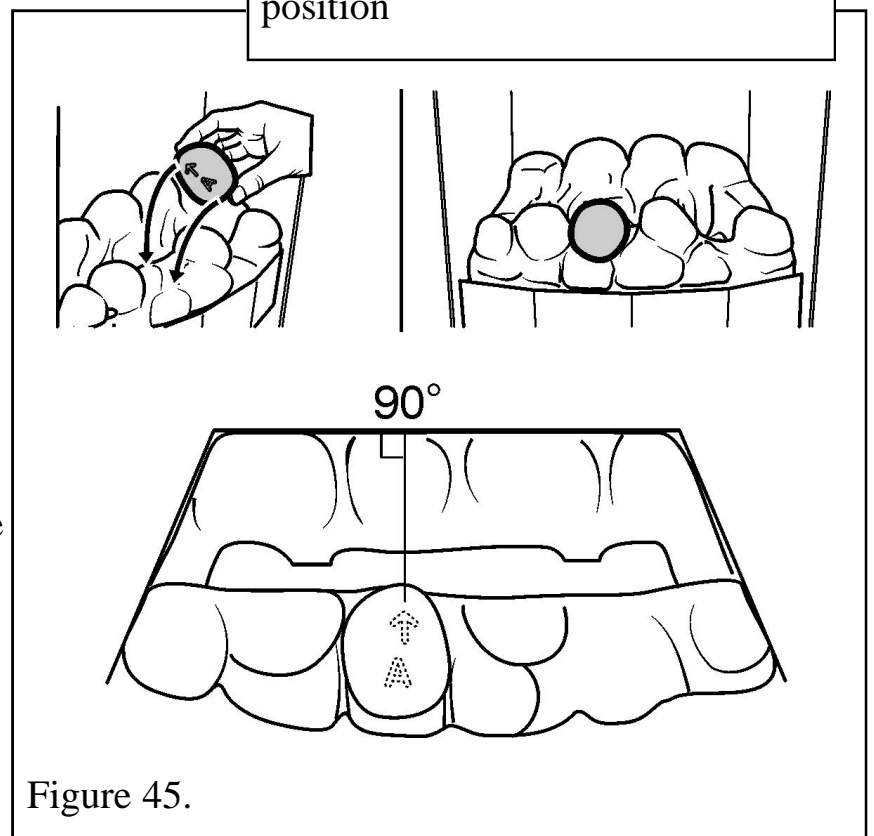
2. Place the front base pebble in the firebox with its bottom front locating over the front rim of the firebox. Gently pull it forward so that it locates immediately behind the front rim of the firebox (See figure 44). The front base pebble will touch the rear base pebble as it is located.



Install the 7 loose pebbles as follows. The underside of each pebble is marked with a letter 'A' to 'G' and an arrow.

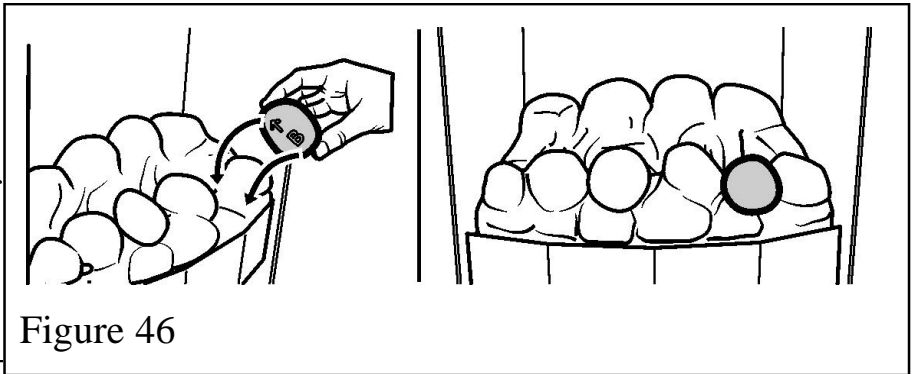
The pebbles should be positioned so that the arrows always point towards the back of the fireplace opening. When located into position the stem of each arrow should be at 90° to the rear of the fireplace opening (See figure 45).

3. Hold pebble 'A' upright with the arrow pointing to the top. Place pebble "A" on top of the front base pebble. The pebble should sit in the recess on top of the front base pebble (See figure 45).

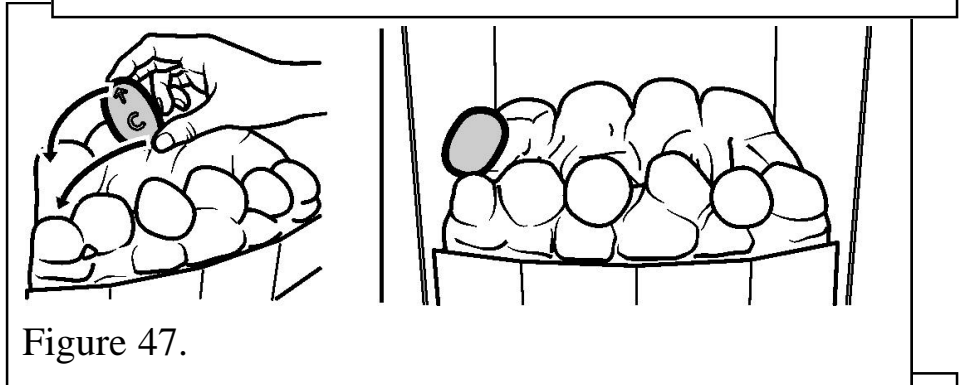


INSTALLER GUIDE

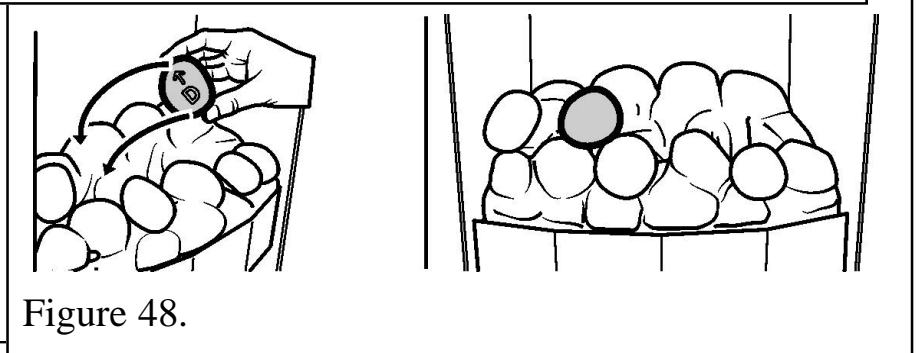
4. Hold pebble 'B' upright with the arrow pointing to the top. Place pebble "B" on top of the front base pebble. The pebble should sit in the recess on top of the front base pebble (See figure 46).



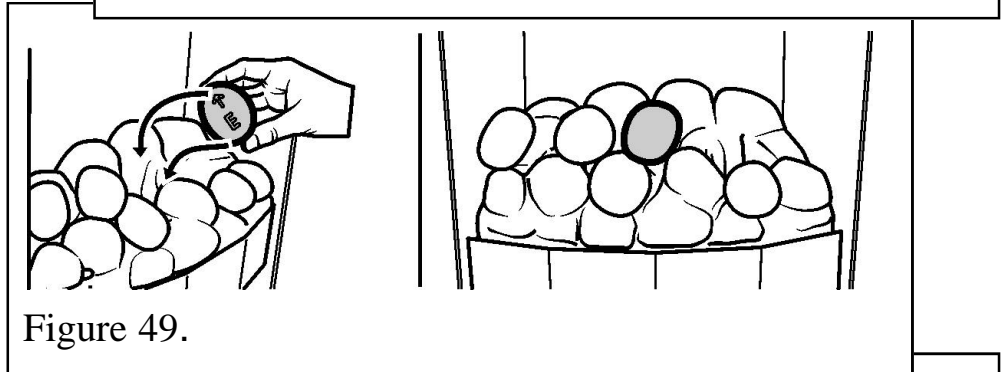
6. Hold pebble 'C' upright with the arrow pointing to the top. Place pebble "C" between the front and rear base pebbles. It should lie against the side of the firebox and bridge the gap between the front and rear base pebbles (See figure 47).



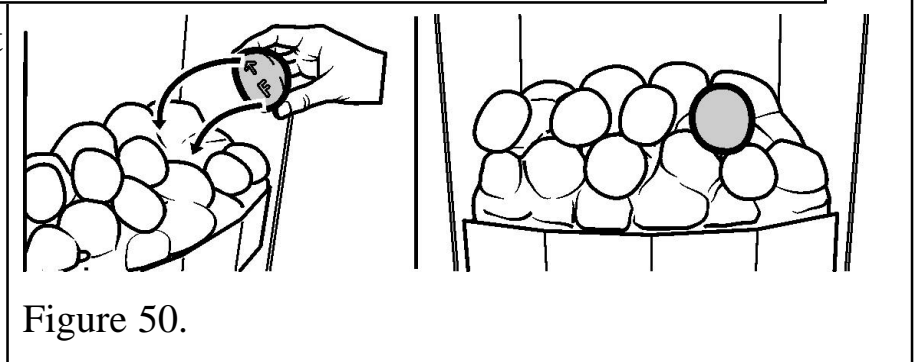
7. Hold pebble 'D' upright with the arrow pointing to the top. Place pebble "D" between the front and rear base pebbles. It should bridge the gap between the front and rear base pebbles (See figure 48).



8. Hold pebble 'E' upright with the arrow pointing to the top. Place pebble 'E' between the front and rear base pebbles. It should bridge the gap between the front and rear base pebbles (See figure 49).

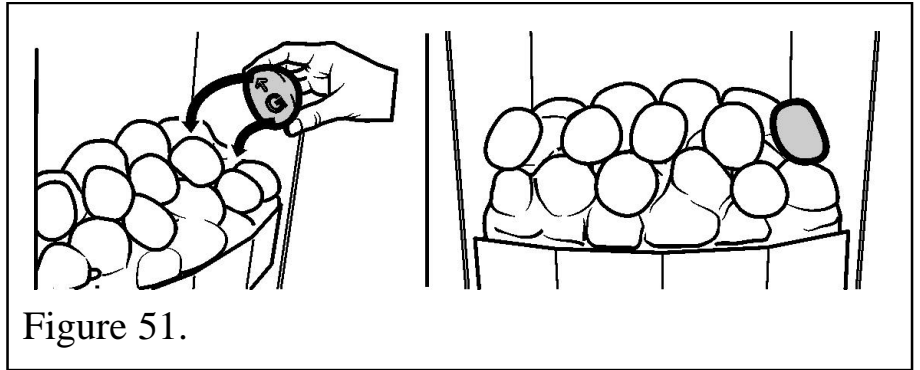


9. Hold pebble 'F' upright with the arrow pointing to the top. Place pebble 'F' between the front and rear base pebbles. It should bridge the gap between the front and rear base pebbles (See figure 50).



INSTALLER GUIDE

10. Hold pebble 'G' upright with the arrow pointing to the top. Place pebble "G" between the front and rear base pebbles. It should lie against the side of the firebox and bridge the gap between the front and rear base pebbles (See figure 51).



13. FULL OPERATING CHECKS

13.1 Check the control settings.

With the ceramic fuel effect in position the control operation must now be fully rechecked. Make sure that the isolating valve at the inlet elbow is open.

- *When first turned on from cold, the flames will appear predominantly blue.*
- *When operating the fire for the first time, some vapours may be given off which could set off smoke alarms in the vicinity. These vapours are quite normal with new appliances. They are totally harmless and will disappear after a few hours use.*

13.1.1 Lighting the burner.

1. If closed, open the isolating valve at the inlet elbow.
2. Depress the control knob and rotate it anticlockwise to the pilot ignition position. A 'click' will be heard as the integral piezo operates. A spark should be seen between the electrode and pilot tip.
3. Turn the control knob clockwise to the 'OFF' position. Repeat this operation until a flame appears at the pilot. There may be a delay before the pilot lights due to air being purged from the system. When a flame appears at the pilot keep the control knob depressed and hold the pilot ignition position for five seconds. When the control knob is released the pilot flame should remain lit.

13.1.2 Operating the burner.

1. When the pilot burner is operating properly, gradually turn the control knob anti-clockwise to 'HIGH' (Depress the knob slightly to get past the pilot ignition position). The main burner should now light. Depress the control knob slightly to release from the 'HIGH' position and turn back (clockwise) to 'LOW'. While turning, the burner flames should gradually become lower but remain alight. Depress the control knob slightly to release from the 'LOW' position and turn back (clockwise) to the 'pilot ignition' position.

The main burner should extinguish but the pilot should remain alight. Depress the

INSTALLER GUIDE

control knob slightly and turn back (clockwise) to turn off. This will extinguish the pilot.

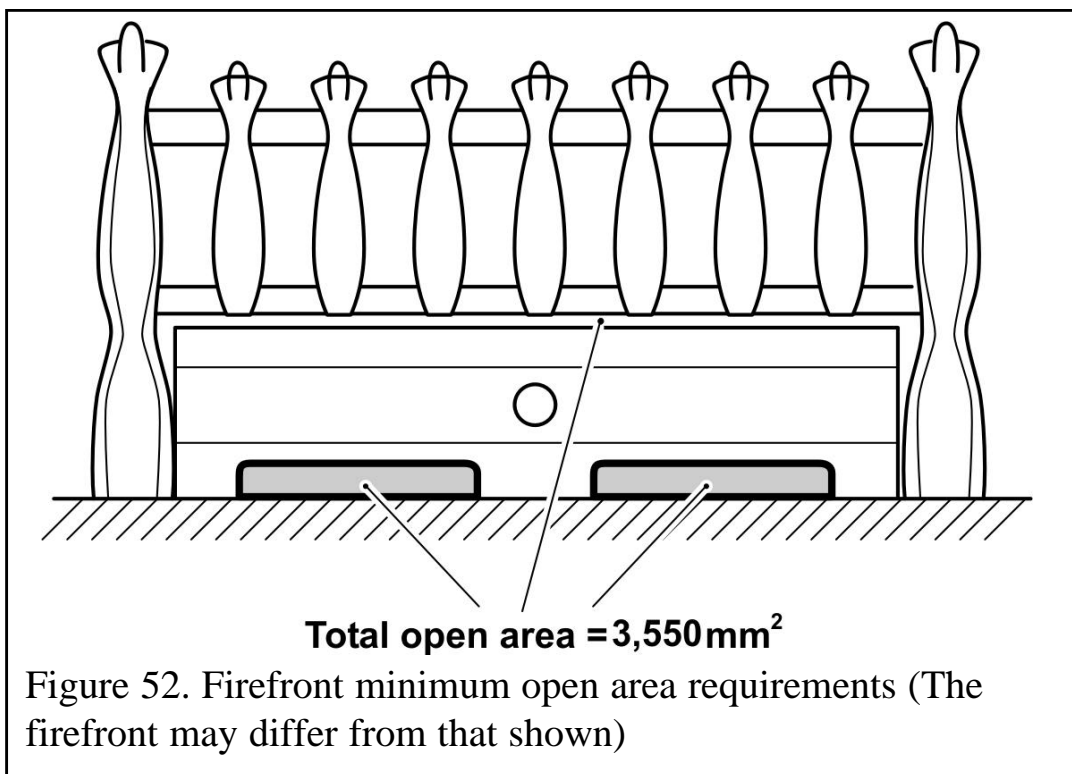
If the above checks are satisfactory, continue with the installation. If not, check the control and ignition circuitry and components as described in the servicing section of this guide.

While cooling the ceramic fuel effect may make some crackling noises. This is quite normal.

14. FASCIA AND FIREFRONT INSTALLATION

14.1 Fitting a firefront that has not been supplied with the fire.

- A slotted firefront with a **minimum** free area as shown in figure 52 must always be used.
- For models supplied with a Baxi Fires Division firefront, the open area may differ slightly from that stated in figure 52. In these cases the firefront will have been tested with the fire and found to be satisfactory for use with the fire.



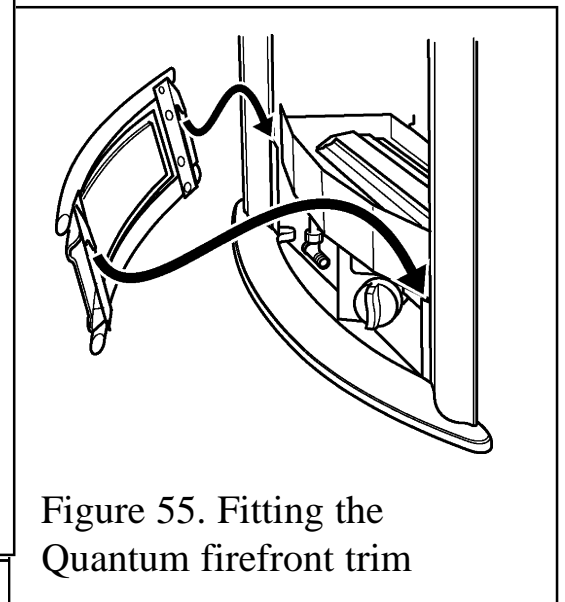
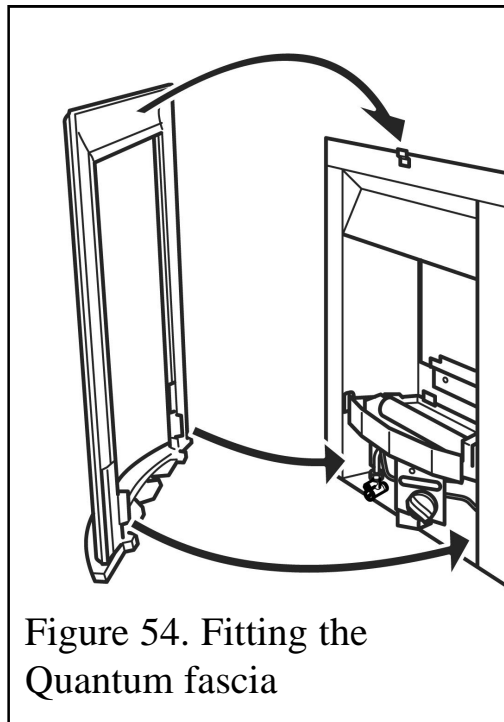
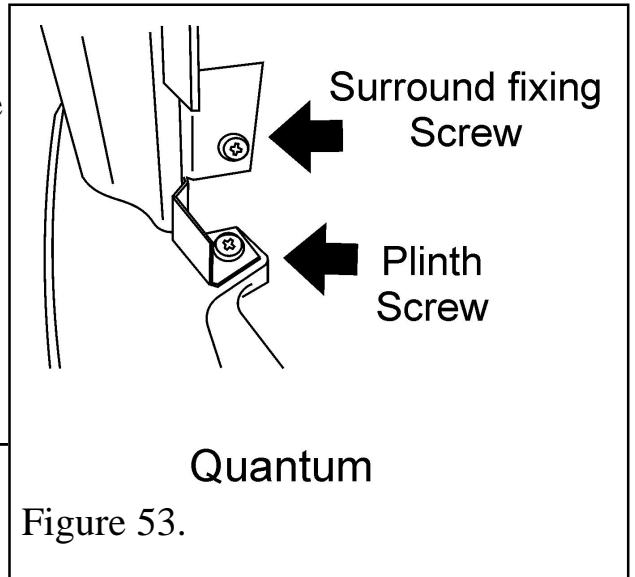
INSTALLER GUIDE

14.2 Fitting the Quantum fascia.

1. Place the fascia on top of the plinth. Be careful not to drag the fascia across the top surface of the plinth as this will scratch the plinth. Secure the fascia to the plinth using the two 'D' screws supplied (See Figure 53).

2. Fit the fascia to the appliance by locating the top to the upper hanging bracket (Figure 54), then attaching it to the body of the appliance using the two 'C' screws supplied (Figure 53)

3. Fit the firefront trim to the fascia (Figure 55).



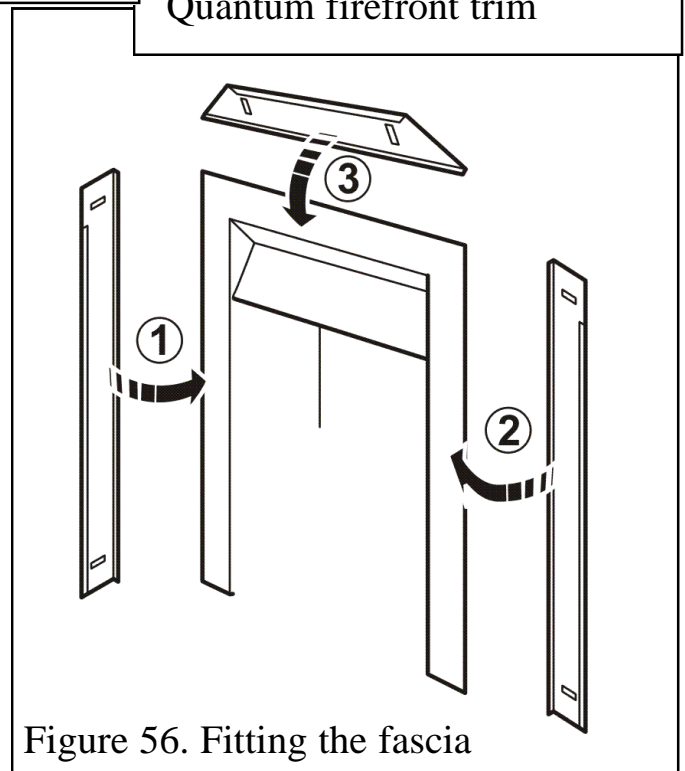
14.3 Fitting the Camden, Fusion and Coast fascia trim.

1. The fascia is supplied in three pieces. Carefully remove the three pieces from the packaging. Remove any protective film.

2. The magnets used to locate each trim should already be positioned on the rear of each trim. Each trim should have two magnets. If the magnets are not fitted then locate one magnet centrally at each end of the trims.

3. Locate the side trims as in figure 56.

4. Locate the top trim as in figure 56.



INSTALLER GUIDE

14.4 Fitting the Blenheim, Sonnet, Homeflame Traditional, Debut & Coast firefront.

1. Place the firefront / casting on top of the hearth centrally between the fascia.
2. On models with a two piece firefront place the lower front cover casting / ash pan below the front casting. For the 'Coast' model see figure 57.

14.5 Fitting the 'push on' fascia trim for the Blenheim, Sonnet, Homeflame Traditional, Anthem, Debut, Aura 2 & Minima models.

See section 8.2. This should have been completed before fitting the fire.

14.6 Fitting the Aura 2, Minima & Camden firefront.

1. Place the firefront on top of the hearth centrally between the fascia.

14.7 Fitting the Anthem firefront.

1. The Anthem firefront is fitted with a set of fixing brackets. Each bracket has two threaded holes. As supplied the top threaded hole should be fitted with a 25mm long machine screw. If the screw has been located to the threaded hole below, remove it and locate to the hole above.
2. The screw should be set at a distance of 15mm (Measured from the surface of the bracket to the underside of the screw head). Adjust the screw to this distance (See figure 58).
3. Locate the firefront as in figure 59. The screw heads should locate into the slots in the burner tray.
4. The 'ash pan' casting should be located as in figure 60.

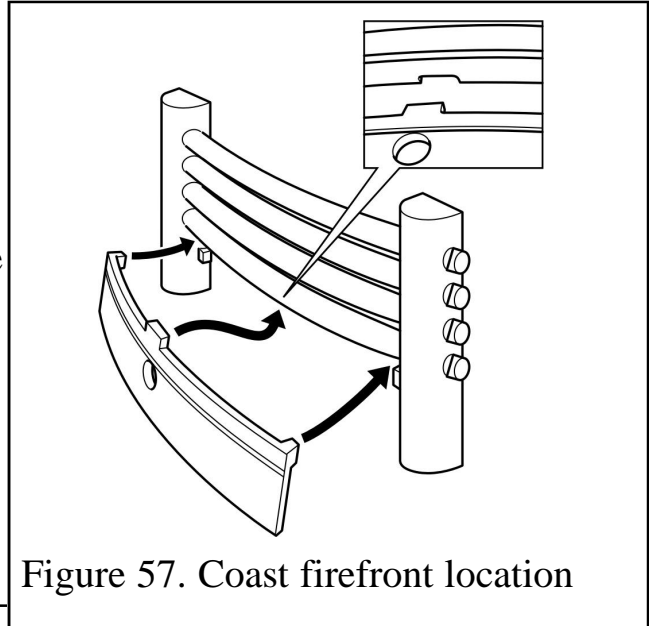


Figure 57. Coast firefront location

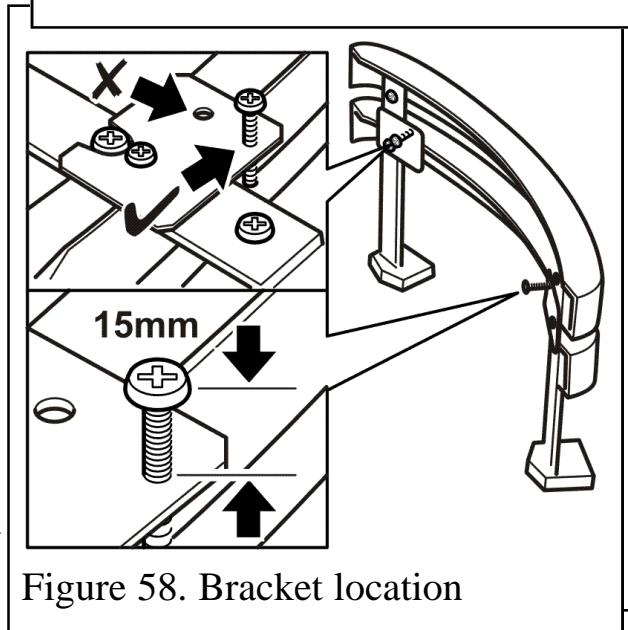


Figure 58. Bracket location

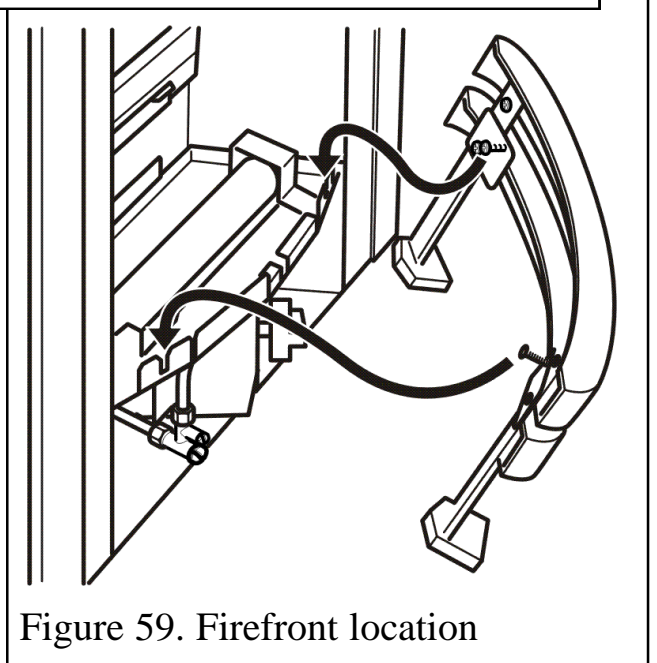


Figure 59. Firefront location

INSTALLER GUIDE

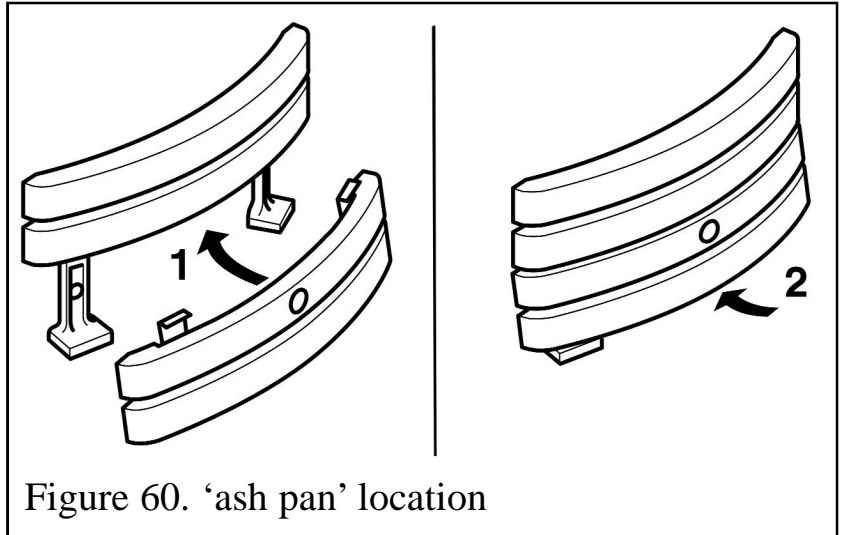


Figure 60. 'ash pan' location

14.8 Fitting the Fusion firefront.

1. The Fusion firefront is secured in place using four screws. Locate the firefront brackets with the holes in the bottom of the firebox and secure each both sides with the two 'B' screws supplied (See figure 61).
2. Hang the lower firefront / 'Ash pan' on the firefront.

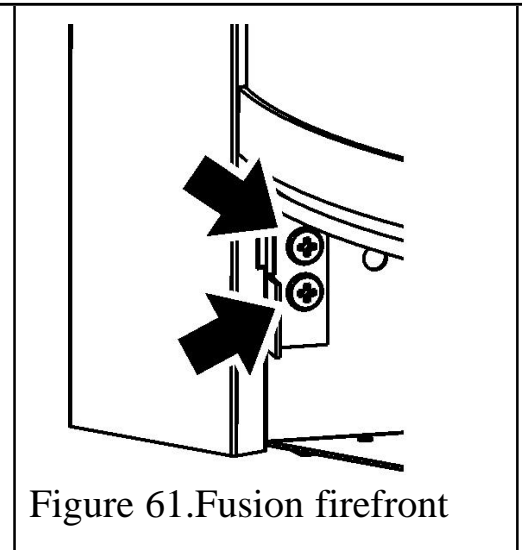


Figure 61. Fusion firefront

15. SPILLAGE AND FLAME SUPERVISION CHECKS

15.1 Check for spillage.

A spillage check must be made before leaving the installed appliance with the customer. Make this with all the ceramic fuel effect pieces and firefront casting / firefront in position.

1. Close all doors and windows in the room containing the appliance.
2. Light the appliance and turn the control knob to "HIGH".
3. Leave the appliance on for five minutes.
4. Place the smoke match into the appliance canopy (See figure 62).
5. The installation is satisfactory if the smoke is drawn into the appliance. If the smoke is not drawn into the appliance, leave the appliance alight at the maximum setting for a further ten minutes and then repeat the test. If smoke is still not drawn into the appliance, inspect the sealing to the fireplace surround. If the sealing is satisfactory but

INSTALLER GUIDE

the appliance is installed with the flue restrictor (See section 8.4), remove the restrictor, reseal the appliance and retest. If smoke is still not drawn into the appliance, **disconnect the appliance and seek expert advice.**

6. If the above test is satisfactory, open all internal connecting doors, hatches, etc., in the room. Keep all doors and windows that open to the outside of the building closed. Recheck for spillage as above. If an extractor fan is installed in the same room as the appliance or a connecting room, check that spillage does not occur with the fan operating and all doors and other openings between the fan and the appliance open. If the smoke is drawn into the appliance, continue with the installation. If the test is not satisfactory, **disconnect the appliance and advise the customer of the cause of failure.**

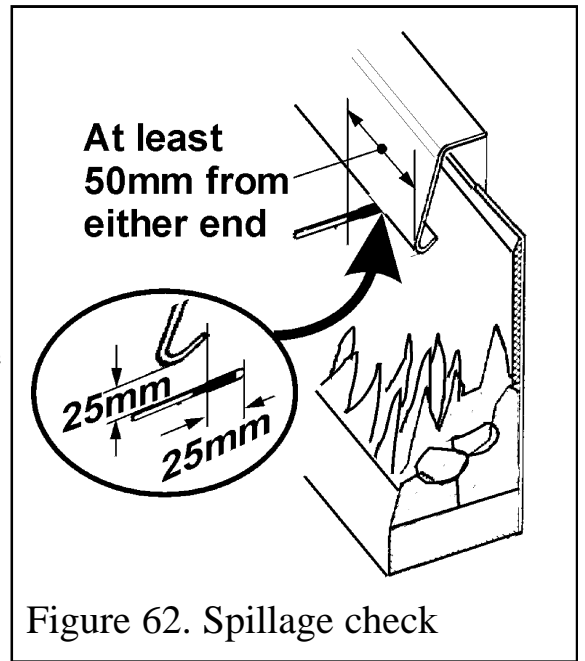


Figure 62. Spillage check

15.2 Flame supervision and spillage monitoring system.

The pilot unit incorporates a system that will automatically shut off the gas supply if the pilot flame goes out or if there is insufficient oxygen due to spillage or lack of ventilation.

Check that the system operates properly as follows;

- Light the appliance. Set at the “HIGH” position and leave for one minute.
- Turn back to “OFF” to extinguish the pilot. **Note the time when the pilot goes out.**

Listen for a snap sound at the gas tap. **Note the time when the sound is heard.** This sound is caused by an electromagnetic valve shutting off the gas supply through the tap. The valve is located in the body of the tap. The valve should operate **within 60 seconds of the pilot going out.** If the valve does not operate within this time limit do not allow the appliance to be used until the fault has been corrected.

This monitoring system must not be adjusted, bypassed or put out of operation. This monitoring system, or any of its parts, must only be exchanged using Baxi Fires Division authorised parts.

INSTALLER GUIDE

16. FINAL REVIEW

1. Visually inspect the appliance. Clean off any marks incurred during installation.
2. Advise the customer how to operate the fire.
3. Explain to the customer that the appliance has a flame failure and spillage monitoring system. Point out the explanation of this system shown in the owner guide. Advise that if the fire goes out for any reason, wait at least three minutes before relighting. Stress that if the monitoring system repeatedly shuts off the fire, the appliance should be switched off and a specialist should be consulted. Point out that the lighting instruction details are on a metal plate attached at the bottom of the appliance behind the firefront casting / firefront and by the control knob.
4. Advise that the fire may give off a slight odour while new. This is quite normal and it will disappear after a short period of use.
5. Advise that any cleaning must only be carried out when the fire is off and cold.
6. Advise the customer that they should read the Owner guide before operating the fire and always follow the advice in the section headed “Cleaning your fire”.
7. Advise the customer that the appliance will operate to its maximum potential if the flue is primed during the first 20 – 30 minutes of use. To do this, simply turn the control to its highest setting. This will also burn off any carbon deposits that may have formed during previous use.

If using the appliance for long periods it is beneficial to change between settings. This will also help to remove any carbon deposits that may form during use.

8. Recommend that the appliance should be serviced and the chimney inspected by a competent person (In the UK a CORGI registered person) at least annually.

If the appliance is in premises in the United Kingdom occupied by a tenant, point out that by law a landlord must have any gas appliance, flue and pipework which is situated in a tenant’s premises checked for safety at least every 12 months.

9. Advise the customer that the firefront, fascia, firebox and ceramic pieces can be cleaned as described in the owner guide and that the loose ceramic fuel effect pieces must be replaced as described in this guide.

Stress that no extra ceramic fuel effect pieces must be added over and above those supplied with the appliance and that any replacements must only be the authorised spares. Warn that ignoring this advice could cause incomplete clearance of the products of combustion with consequent health hazards.

10. **Inform the customer that the Serial number for the appliance is located on the metal plate** attached at the bottom of the appliance behind the firefront casting / firefront and by the control knob.

11. Hand the literature pack with this guide to the customer.

17. SERVICING AND PARTS REPLACEMENT

Always turn off the gas supply and allow to cool completely before commencing any servicing (The appliance inlet “T” connector incorporates an isolating valve). It is recommended that, at least once a year, the appliance is disconnected and the fireplace opening checked and cleared of any debris.

This product uses fuel effect pieces and a burner compartment rear wall containing Refractory Ceramic Fibres (RCF), which are man-made vitreous silicate fibres. Excessive exposure to these materials may cause irritation to eyes, skin and respiratory tract. Consequently, it is important to take care when handling these articles to ensure that the release of dust is kept to a minimum. To ensure that the release of fibres from these RCF articles is kept to a minimum, during installation and servicing we recommend that you use a HEPA filtered vacuum to remove any dust and soot accumulated in and around the fire before and after working on the fire. When replacing these articles we recommend that the replaced items are not broken up, but are sealed within a heavy duty polythene bag, clearly labelled as RCF waste. This is not classified as “hazardous waste” and may be disposed of at a tipping site licensed for the disposal of industrial waste. Protective clothing is not required when handling these articles, but we recommend you follow the normal hygiene rules of not smoking, eating or drinking in the work area and always wash your hands before eating or drinking.

- Check that the appliance is clean and that soot or debris is not blocking the gaps between the ceramic fuel effect pieces causing an imperfect flame.
- Check that soot or debris is not impairing the electrode spark or pilot burner.
- Check that soot or debris is not blocking any of the slots in the main burner.
- After servicing, make sure that the ceramic rear wall and ceramic fuel effect pieces are replaced correctly as described in the this guide.
- Always test for gas soundness and spillage after servicing the appliance.

INSTALLER GUIDE

17.1 Checking the aeration setting of the burner.

1. The aeration shutter is factory set. It is important to ensure that the aeration setting is correct. Check the aeration shutter setting (See figure 63).
2. To adjust the aeration setting to suit the model and fuel effect used, loosen the two aeration shutter screws, slide the aeration shutter to the desired position and tighten the screws.

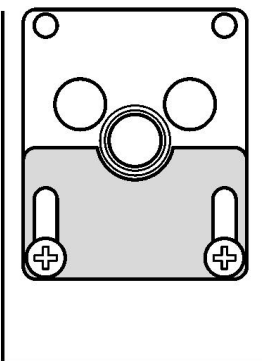
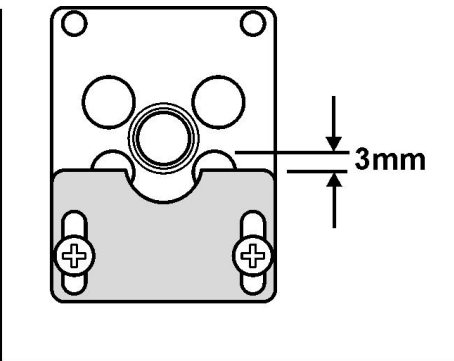
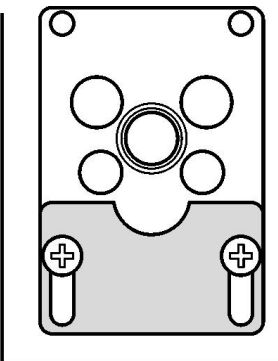
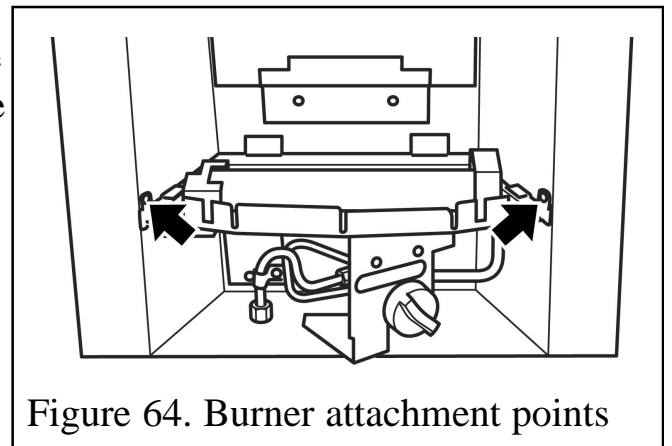
			
Fuel effect	Coals	Pebbles	Pebbles
Models	(All models supplied with a coal fuel effect)	Fusion, Quantum pebbles, Minima & Camden pebbles.	Anthem & Aura 2.

Figure 63. Aeration shutter settings.

17.2 To remove the burner unit.

1. Remove the firefront casting and ash pan cover / firefront in the reverse order to that shown in section 14.
2. Remove the ceramic fuel effect. The ceramic fuel effect may cause staining / discolouration to decorative surfaces. It is therefore advisable to protect decorative surfaces.
3. Support the inlet elbow to avoid straining the pipework and disconnect the appliance from the inlet elbow.
4. Detach the burner unit from the hotbox by removing two screws (See figure 64).
5. Replace in the reverse order. The ceramic fuel effect pieces must be replaced as in section 12 of this guide.



INSTALLER GUIDE

17.3 To remove the pilot unit.

1. Remove the burner unit (See section 17.2)
2. If lying the burner on its back, ensure that the work surface is suitably protected. This will avoid damage to the work surface.
3. Detach the pilot pipe from the pilot unit.
4. Detach the thermocouple from the gas valve
5. Detach the electrode lead from the rear of the piezo spark generator on the gas valve.
6. Remove the two screws securing the pilot unit (See figure 65).
7. Refit in the reverse order. *Note: The pilot unit is an atmosphere sensing device. It must be replaced as a whole assembly. Its individual components are not separately replaceable.*

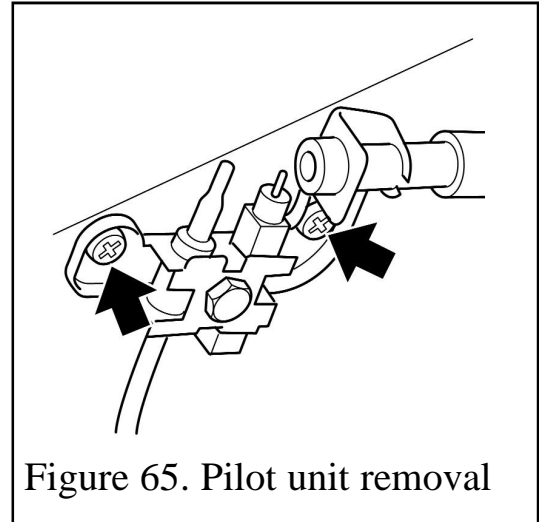


Figure 65. Pilot unit removal

17.4 To remove the gas valve.

(See figure 66).

1. Remove the burner unit (See section 17.2).
2. If lying the burner on its back, ensure that the work surface is suitably protected. This will avoid damage to the work surface. Turn the burner unit upside down.
3. Detach the pilot pipe from the gas valve.
4. Detach the inlet pipe.
5. Detach the injector pipe.
6. Detach the electrode lead from the rear of the piezo spark generator on the gas valve.
7. Remove the control knob by pulling forward.
8. Remove the thermocouple by unscrewing the thermocouple nut at the gas valve.
9. Remove the hexagonal nut securing the gas valve to the mounting bracket.
10. Remove the gas valve.
11. Refit in the reverse order.

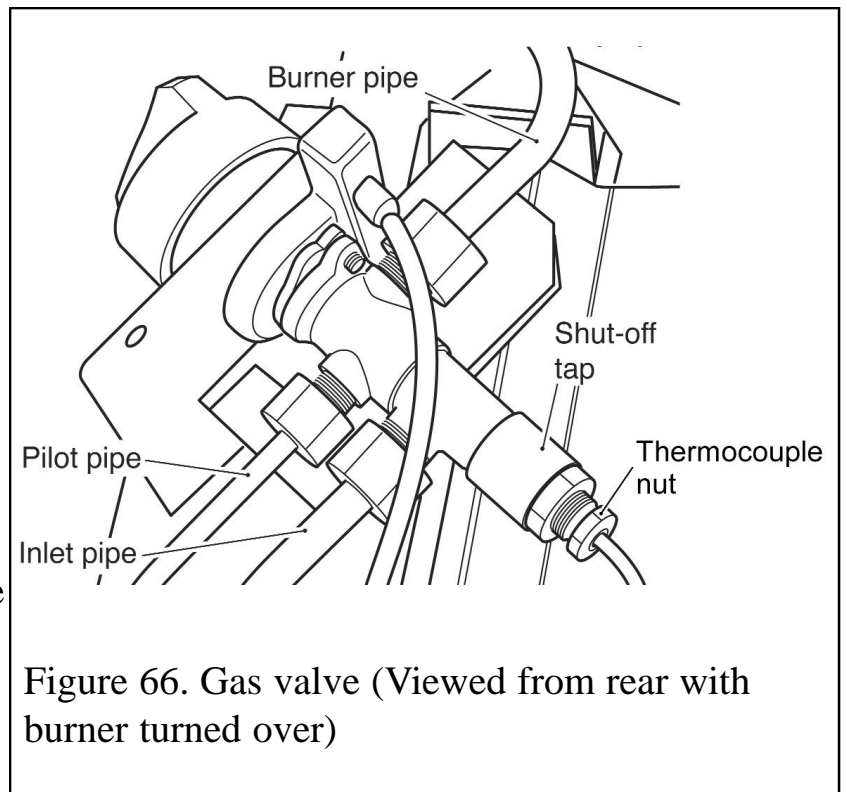


Figure 66. Gas valve (Viewed from rear with burner turned over)

INSTALLER GUIDE

17.5 To replace the burner.

(See figure 67).

1. Remove the burner unit (See section 17.2).
2. Support the elbow injector and unscrew the injector nut.
3. Remove the two screws from the burner clamping plate (See figure 67).
4. Lift the right hand side of the burner, slide it to the right and lift clear
5. Refit in reverse order.

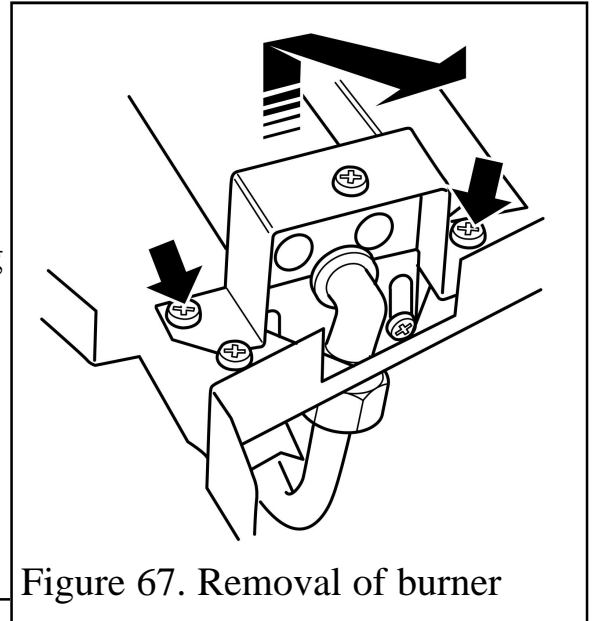


Figure 67. Removal of burner

17.6 To remove the main burner injector.

(See figure 68).

1. Remove the burner (See section 17.5).
2. Remove the burner clamping screw (See figure 68).
3. Unscrew the injector from the burner.
4. Refit in the reverse order.

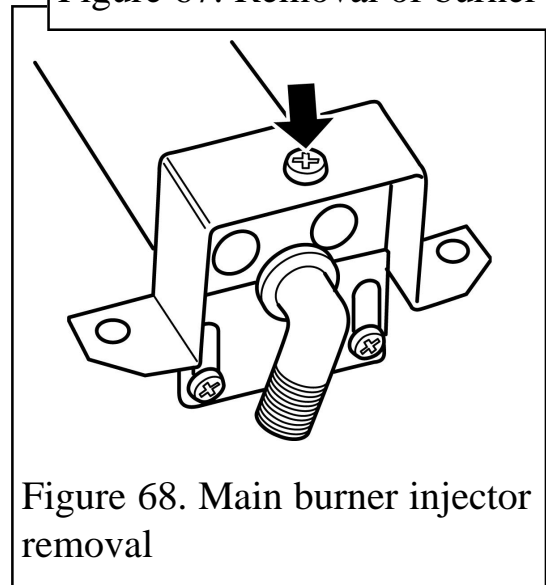


Figure 68. Main burner injector removal

17.7 To remove the appliance from the fireplace.

1. Remove the burner unit (See section 17.2).
2. Slacken the hexagonal adjusters on the cable adjusters and unscrew the thumbscrews to release the cables.
3. Refit as described in the relevant installation sections. Make sure gas soundness, sealing, spillage test and performance are satisfactory.

17.8 To remove the Anthem, Aura 2, Debut, Blenheim, Homeflame Traditional, Minima and Sonnet fascia.

Important : Before removing the fascia check to see if the foam seal covers the flange on the rear of the fascia. If it does then ensure that a replacement foam seal is available.

1. Remove the appliance from the fireplace (See section 17.7)
2. If the foam seal covers the flange on the rear of the fascia remove the foam seal from the rear of the hotbox.
3. Carefully lift off the top fascia piece and place carefully aside. Carefully remove the two side pieces and place carefully aside.
4. Refit in the reverse order (See section 8.2)
5. If the foam seal was removed previously fit the replacement foam seal (See as in section 8.3).

INSTALLER GUIDE

6. Refit the hotbox as described in the relevant installation sections. Make sure gas soundness, sealing, spillage test and performance are satisfactory.

17.9 To remove the Quantum fascia.

1. Remove the firefront.
2. Remove the two screws securing the bottom of the fascia to the sides of the hotbox (See figure 69).
3. Carefully lift the fascia upward to clear the upper retaining bracket on the hotbox (See figure 70). Pull the fascia clear and place carefully aside.
4. Refit in the reverse order. Make sure that the fascia is properly located over the upper retaining bracket. See section 14 of this manual for detailed fitting instructions.

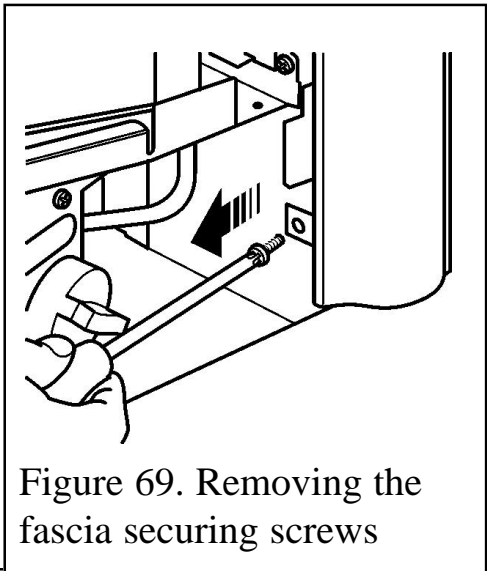


Figure 69. Removing the fascia securing screws

17.10 To remove the Camden, Fusion and Coast fascia.

1. Remove the firefront.
2. The fascia is made up of three trims. These trims are held in place by magnets. Remove the top trim by pulling forward. Place carefully aside (See figure 71).
3. Remove the side trims by pulling forward. Place carefully aside (See figure 71).
4. Refit in the reverse order. Make sure that the top corners of the fascia have no gaps.

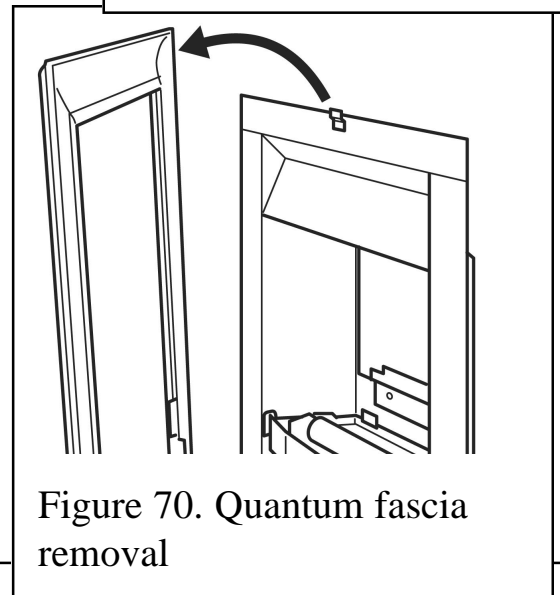


Figure 70. Quantum fascia removal

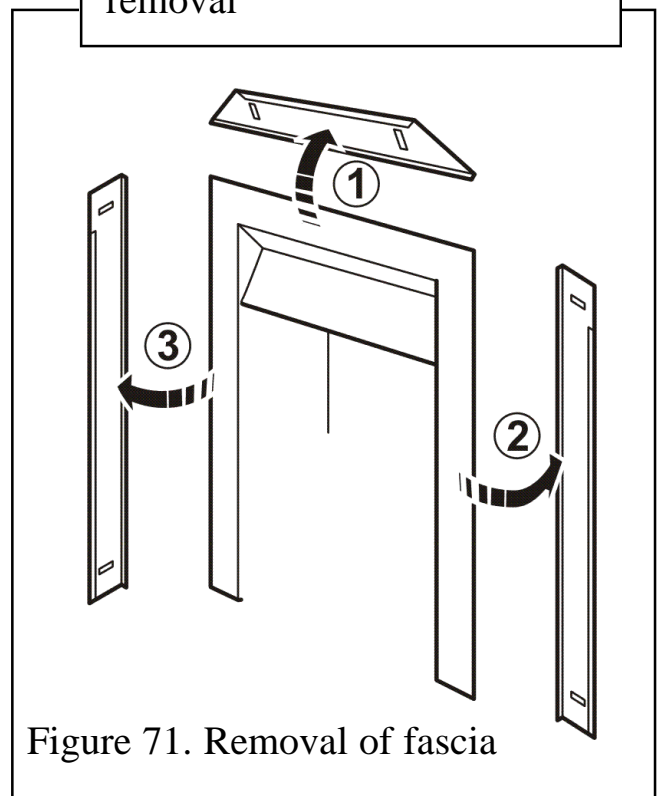


Figure 71. Removal of fascia