

VALOR FIRES

INSTALLER AND OWNER GUIDE

Model 940

Inset live fuel effect gas fire

Incorporating the VALOR FIRES **FireSlide**® CONTROL

Fitted with one of the following fascia.

Adorn, Decadent, Dream,
Eternal, Icon, Obsession or
Visage

(GC No. 32-032-71)



We trust that this guide gives sufficient details to enable this appliance to be installed, operated and maintained satisfactorily. However, if further information is required, our **Valor Fires Technical Helpline** will be pleased to help.
Telephone **0844 8711 565** (National call rates apply in the United Kingdom).
In the Republic of Ireland
Telephone **0044 844 8711 565**.



BAXI • VALOR • WONDERFIRE

INSTALLER: Please leave this guide with the owner

THIS APPLIANCE IS FOR USE WITH NATURAL GAS (G20).

**WHEN CONVERTED USING CONVERSION KIT NO. 0595211 THIS APPLIANCE
IS FOR USE WITH PROPANE GAS (G31).**

**THIS APPLIANCE IS SUITABLE ONLY FOR INSTALLATION IN THE UNITED
KINGDOM (GB) AND THE REPUBLIC OF IRELAND (IE).**

© Baxi Heating U.K. Limited 2009.

All rights reserved. No part of this publication may be reproduced in any material form (including photocopying), stored in any medium by electronic means (including in any retrieval system or database) or transmitted, in any form or by any means, whether electronic, mechanical, recording or otherwise, without the prior written permission of the copyright owner.

Applications for the copyright owner's permission to reproduce any part of this publication should be made, giving details of the proposed use, to the following address: The Company Secretary, Baxi Heating UK Limited, The Wyvern Business Park, Stanier Way, Derby, DE21 6BF.

Warning: Any person who does any unauthorised act in relation to a copyright work may be liable to criminal prosecution and civil claims for damages.

VALOR FIRES

Valor Fires, Erdington, Birmingham B24 9QP
www.firesandstoves.co.uk

Because our policy is one of constant development and improvement, details may vary slightly from those given in this publication.

Safety First.

Valor Fires fires are CE Approved and designed to meet the appropriate British Standards and Safety Marks.



Quality and Excellence.

All Valor Fires fires are manufactured to the highest standards of quality and excellence and are manufactured under a BS EN ISO 9001 quality system accepted by the British Standards Institute.



The Highest Standards

Valor Fires is a member of SBGI and HHIC (Heating and Hot water Industry Council) that work to ensure high standards of safety, quality and performance.



Careful Installation

This gas fires must be installed by a competent GAS SAFE REGISTER engineer (GAS SAFE REGISTER or CORGI engineer outside of UK) in accordance with our installer guide and should not be fitted directly on to a carpet or floor of combustible material.



INSTALLER GUIDE

FOR OWNER GUIDE SEE PAGES 51 TO 67

INSTALLER GUIDE

CONTENTS

| <u>Section</u> | <u>Page</u> |
|---|----------------|
| INSTALLER GUIDE | 4 - 50 |
| OWNER GUIDE | 51 - 67 |
| 1. SAFETY | 7 |
| 2. APPLIANCE DATA AND EFFICIENCY | 8 |
| 2.1 General information. | 8 |
| 2.2 Efficiency. | 8 |
| 3. GENERAL INSTALLATION REQUIREMENTS | 9 |
| 3.1 Regulations, Standards and Law. | 9 |
| 3.2 Ventilation requirements. | 10 |
| 3.3 The Atmosphere sensing device (ASD). | 10 |
| 3.4 Fireguard requirements. | 10 |
| 3.5 Room considerations. | 10 |
| 3.6 Chimney preparation. | 11 |
| 3.7 Fireplace preparation. | 11 |
| 3.8 The hearth. | 11 |
| 3.9 Fireplace clearances. | 12 |
| 3.10 Installation options. | 14 |
| 3.10.1 Conventional fireplace and hearth. | 14 |
| 3.10.1.1 'Hole-in-the-wall' Installations | 15 |
| 3.10.2 Metal flue box and hearth. | 16 |
| 3.10.3 Precast concrete or clay flue block system and hearth. | 17 |
| 3.11 Flues. | 17 |
| 3.12 Propane fires. | 18 |
| 4. PACK CONTENTS | 19 |
| 5. FIREPLACE CHECK | 23 |
| 5.1 Fireplace check. | 23 |
| 5.2 Fireplace flue pull. | 23 |
| 6. IGNITION CHECK | 24 |
| 7. GAS SUPPLY CONNECTION | 24 |
| 8. PREPARING APPLIANCE FOR INSTALLATION | 25 |
| 9. CONVECTION BOX INSTALLATION | 28 |
| 9.1 Method 1 - Front fixing to fireplace surround. | 28 |
| 9.2 Method 2 - Cable retention and floor fixing. | 28 |
| 9.3 Sealing floor front - All installations. | 30 |

Continued on next page

INSTALLER GUIDE

CONTENTS (Continued)

| <u>Section</u> | <u>Heading</u> | <u>Page</u> |
|----------------|---|-------------|
| 10. | BURNER AND SUPPLY PIPE INSTALLATION | 31 |
| 10.1 | Burner and supply pipe installation. | 31 |
| 10.2 | Preliminary burner checks. | 31 |
| 10.3 | Inlet pressure check. | 32 |
| 11. | CERAMIC WALLS INSTALLATION | 32 |
| 12. | FASCIA AND CONTROL LINKAGE | 33 |
| 13. | FITTING THE CERAMIC FUEL EFFECT | 37 |
| 14. | FIREFRONT / BOTTOM COVER INSTALLATION | 37 |
| 15. | FULL OPERATING CHECKS | 38 |
| 15.1 | Checking the control settings. | 38 |
| 15.2 | Check for spillage. | 39 |
| 15.3 | Flame supervision and spillage monitoring system. | 40 |
| 16. | FINAL REVIEW | 41 |
| 17. | SERVICING & PARTS REPLACEMENT | 42 |
| 17.1 | Checking the aeration setting of the burner. | 43 |
| 17.2 | To remove the ignition microswitch. | 43 |
| 17.3 | To remove the gas shut-off microswitch. | 43 |
| 17.4 | To remove the fascia. | 44 |
| 17.5 | To replace the control slide unit. | 45 |
| 17.6 | To replace the control slide button. | 46 |
| 17.7 | To remove the complete burner unit. | 46 |
| 17.8 | To remove the electronic ignition generator. | 47 |
| 17.9 | To remove the thermocouple interrupter block. | 47 |
| 17.10 | To remove the pilot unit. | 48 |
| 17.11 | To remove the shut-off tap. | 48 |
| 17.12 | To remove the gas flow rate controller. | 49 |
| 17.13 | To replace the burner. | 49 |
| 17.14 | To remove the main burner injector. | 50 |
| 17.15 | To remove the appliance from the fireplace. | 50 |

INSTALLER GUIDE

1. SAFETY AND UNPACKING

Before continuing any further with the installation of this appliance please read the following guide to manual handling.

- The lifting weight (kg) of this appliance is as below:

| <u>Model</u> | <u>Heat Engine</u> | <u>Firefront</u> | <u>Combined Weight</u> |
|--------------|--------------------|------------------|------------------------|
| Adorn | 11.5 | 16.6 | 28.1 |
| Visage | 11.5 | 5.5 | 17.0 |
| Icon | 11.5 | 3.5 | 15.0 |
| Dream | 11.5 | 13.35 | 24.85 |
| Eternal | 11.5 | 3.45 | 14.95 |
| Decadent | 11.5 | 4.0 | 15.5 |
| Obsession | 11.5 | 3.25 | 14.75 |

- One person should be sufficient to lift the fire. If for any reason this weight is considered too heavy then obtain assistance.
- When lifting always keep your back straight. Bend your legs and not your back.
- Avoid twisting at the waist. It is better to reposition your feet.
- Avoid upper body/top heavy bending. Do not lean forward or sideways whilst handling the fire.
- Always grip with the palm of the hand. Do not use the tips of fingers for support.
- Always keep the fire as close to the body as possible. This will minimise the cantilever action.
- Use gloves to provide additional grip.
- Always use assistance if required.

This product uses fuel effect pieces and burner compartment walls containing Refractory Ceramic Fibres (RCF), which are man-made vitreous silicate fibres. Excessive exposure to these materials may cause irritation to eyes, skin and respiratory tract. Consequently, it is important to take care when handling these articles to ensure that the release of dust is kept to a minimum. To ensure that the release of fibres from these RCF articles is kept to a minimum, during installation and servicing we recommend that you use a HEPA filtered vacuum to remove any dust and soot accumulated in and around the fire before and after working on the fire. When replacing these articles we recommend that the replaced items are not broken up, but are sealed within a heavy duty polythene bag, clearly labelled as RCF waste. RCF waste is classed as a stable, non-reactive hazardous waste and may be disposed at a landfill licenced to accept such waste. Protective clothing is not required when handling these articles, but we recommend the use of suitable gloves to prevent irritation. We also recommend you follow the normal hygiene rules of not smoking, eating or drinking in the work area and always wash your hands before eating or drinking.

This appliance does not contain any component manufactured from asbestos or asbestos related products.

INSTALLER GUIDE

2. APPLIANCE DATA AND EFFICIENCY

2.1 General information.

| Gas | Natural (G20) | Propane (G31) * |
|-----------------------------------|--------------------------------------|---|
| Inlet Pressure | 20mbar | 37mbar |
| Input - Max. (Gross) | 6.85kW (23,400 Btu/h) | 6.7kW (22,860 Btu/h) |
| Input - Min. (Gross) | 2.7kW (9,410 Btu/h) | 4.3kW (14,670 Btu/h) |
| Inlet Test Pressure (Cold) | 20.0 ± 1.0mbar (8.0 ± 0.4in w.g.) | 37.0 ± 1.0 mbar (14.85 ± 0.4in w.g.) |
| Gas Connection | 8mm pipe | 8mm pipe |
| Burner Injector | Cat 82 - 074 | Size 132 |
| Pilot & Atmosphere Sensing Device | Copreci Ref. O.D.S 21500/166 | Copreci Ref. O.D.S 21500/166 Fitted with RBM 180 -02 injector |
| Ignition | Electronic (Battery 9V PP3) | Electronic (Battery 9V PP3) |
| Aeration | Factory set | Non-adjustable |

*When converted using kit 0595211.

The appliance information label is located on a plate at the base of the fire. This can be seen by lowering the bottom front cover of the fascia.

2.2 Efficiency.

The efficiency of this appliance has been measured as specified in BS 7977 - 1 and the result is as below :

| <u>Model</u> | <u>Efficiency % (Gross)</u> |
|----------------------------|-----------------------------|
| 940 | 58 |
| 940 when converted to LPG. | 61 |

The gross calorific value of the fuel has been used for this efficiency calculation. The test data from which it has been calculated has been certified by Advantica Certification services (0087). The efficiency value may be used in the UK Government's Standard Assessment Procedure (SAP) for energy rating of dwellings.

The conversion of **net** efficiency to **gross** was achieved by multiplying the net efficiency by the following conversion factor from Table E3 of SAP 2005, rounding down to the nearest whole number.

INSTALLER GUIDE

| Gas | Conversion factor from net to gross efficiency |
|-------------|--|
| Natural Gas | 0.901 |
| LPG | 0.921 |

3. GENERAL INSTALLATION REQUIREMENTS

3.1 Regulations, Standards and Law.

The installation must be in accordance with these instructions.

For the user's protection, in the United Kingdom it is the law that all gas appliances are installed by competent persons in accordance with the current edition of the Gas Safety (Installation and Use) Regulations. Failure to install the appliance correctly could lead to prosecution. GAS SAFE REGISTER and CORGI require their members to work to recognised standards.

In the United Kingdom the installation must also be in accordance with:

All the relevant parts of local regulations.

All relevant codes of practice.

The relevant parts of the current editions of the following British Standards:-

BS EN 1856 Part 1 - Chimneys - Requirements for metal chimneys.

BS 715 - Specification for metal flue boxes for gas-fired appliances not exceeding 20kW.

BS EN 1858 - Chimneys - Components - Concrete flue blocks.

BS EN 1806 - Chimneys - Clay / ceramic flue blocks.

BS EN 1856 Part 1 - Chimneys - Requirements for metal chimneys.

BS 5440 Part 1 - Installation of flues.

BS 5440 Part 2 - Installation and maintenance of flues and ventilation for gas appliances of rated input not exceeding 70 kW net (1st, 2nd and 3rd family gases).

BS 6461 Part 1 - Masonry chimney & flues - Installation

BS 1251 - Fireplace components

BS 5871 Part 2 - Installation - Inset LFE gas fires

BS 6891 - Gas pipework installation

- In England and Wales, the current edition of the Building Regulations issued by the Department of the Environment and the Welsh Office.
- In Scotland, the current edition of the Building Standards (Scotland) Regulations issued by the Scottish Executive.
- In Northern Ireland, the current edition of the Building regulations (Northern Ireland) issued by the Department of the Environment for Northern Ireland.
- In the republic of Ireland the installation must be carried out by a competent person and also conform to the relevant parts of:
 - a) The current edition of IS 813 "Domestic Gas Installations"
 - b) All relevant national and local rules in force.

INSTALLER GUIDE

Where no specific instructions are given, reference should be made to the relevant British Standard Code of Practice.

3.2 Ventilation requirements.

Normal adventitious ventilation is usually sufficient to satisfy the ventilation requirements of this appliance. In GB reference should be made to BS 5871 Part 2 and in IE reference should be made to the current edition of IS 813 “Domestic Gas Installations” which makes clear the conditions that must be met to demonstrate that sufficient ventilation is available.

3.3 The Atmosphere sensing device (ASD).

The appliance is fitted with an A.S.D (Atmosphere sensing device). If the appliance closes down after a period of operation for no apparent reason, the consumer should be informed to stop using the appliance until the installation and appliance have been thoroughly checked. The A.S.D will shut the appliance down if an unacceptable amount of harmful products of combustion accumulate. Under no circumstances should the A.S.D be altered or bypassed in any way. Only a genuine manufacturers replacement part should be fitted. The individual A.S.D components are not replaceable.

3.4 Fireguard requirements.

A fireguard complying with BS 8423 should be fitted for the protection of young children, the elderly, the infirm or pet animals.

3.5 Room considerations.

3.5.1 This appliance must not be installed in any room that contains a bath or shower or where steam is regularly present.

3.5.2 An extractor fan may only be used in the same room as this appliance, or in any area from which ventilation for the appliance is taken, if it does not affect the safe performance of the appliance. Note the spillage test requirements detailed further on in this manual. If the fan is likely to affect the appliance, the appliance must not be installed unless the fan is permanently disconnected.

3.5.3 Note that soft wall coverings (e.g. embossed vinyl, etc.) are easily affected by heat. They may scorch or become discoloured when close to a heating appliance. Please bear this in mind when installing.

3.6 Chimney preparation.

3.6.1 If the appliance is intended to be installed to a chimney that was previously used for solid fuel, the flue must be swept clean prior to installation. All flues should be inspected for soundness and freedom from blockages.

INSTALLER GUIDE

3.6.2 Any chimney damper or restrictor should be removed. If removal is not possible, they must be secured in the open position.

3.7 Fireplace preparation.

3.7.1 If the fireplace opening is an under floor draught type, it must be sealed to stop any draughts.

3.7.2 The front face of the fireplace should be reasonably flat over the area covered by the convection box top and side flange seals to ensure good sealing. These faces should be made good if necessary. The fireplace floor should be reasonably flat to ensure that a good seal with the convection box can be made.

3.7.3 If the appliance is to be fitted against a wall with combustible cladding, the cladding must be removed from the area covered by the fascia. The cladding must also not touch the fascia (See figure 1). We suggest that the actual fascia is used as a template to mark the area for combustible cladding removal and that this area is increased by at least 2mm all round.

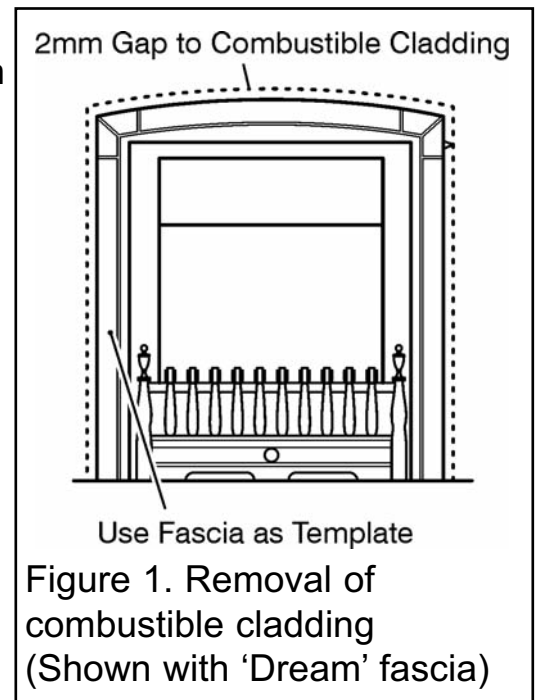
3.7.4 If the fireplace opening is greater than the acceptable dimensions given in this guide, do not use the back of a fire surround or marble to reduce the opening. This may cause cracking of the surround back or marble.

3.8 The hearth.

The appliance must be mounted behind a non-combustible hearth unless the conditions of section 3.10.1.1 are met (N.B. conglomerate marble hearths are considered as non-combustible). The appliance can be fitted to a purpose made proprietary class "O"-150°C surround. The hearth material must be at least 12mm thick. The periphery of the hearth (or fender) should be at least 50mm above floor level to discourage the placing of carpets or rugs over it.

The surface of the hearth must be sufficiently flat to enable the bottom of the front surround and the bottom front cover to be aligned horizontally. Any excessive unevenness (uneven tiles, Cotswold stone, etc.) should be rectified.

The appliance must not stand on combustible materials or carpets.



INSTALLER GUIDE

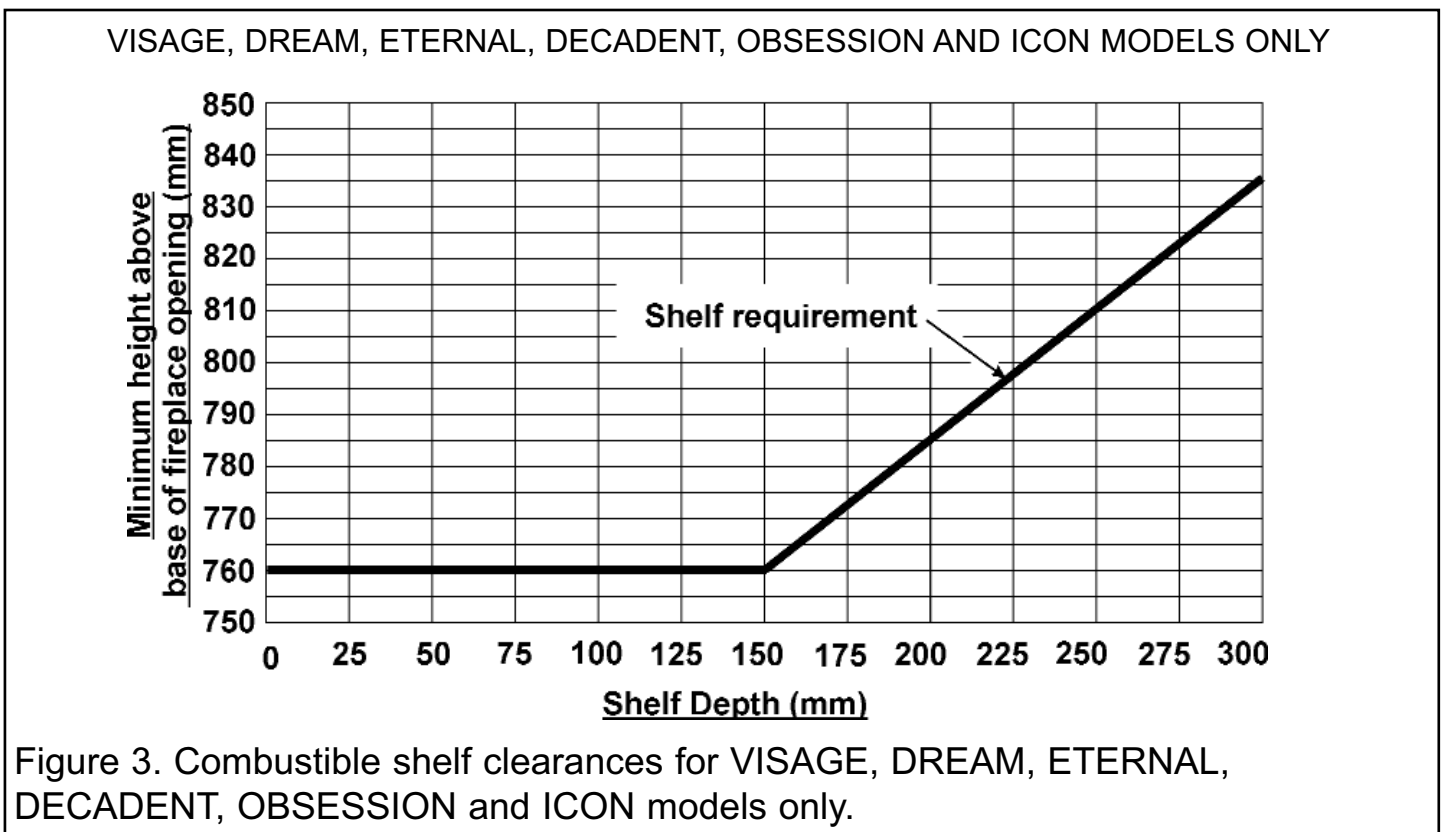
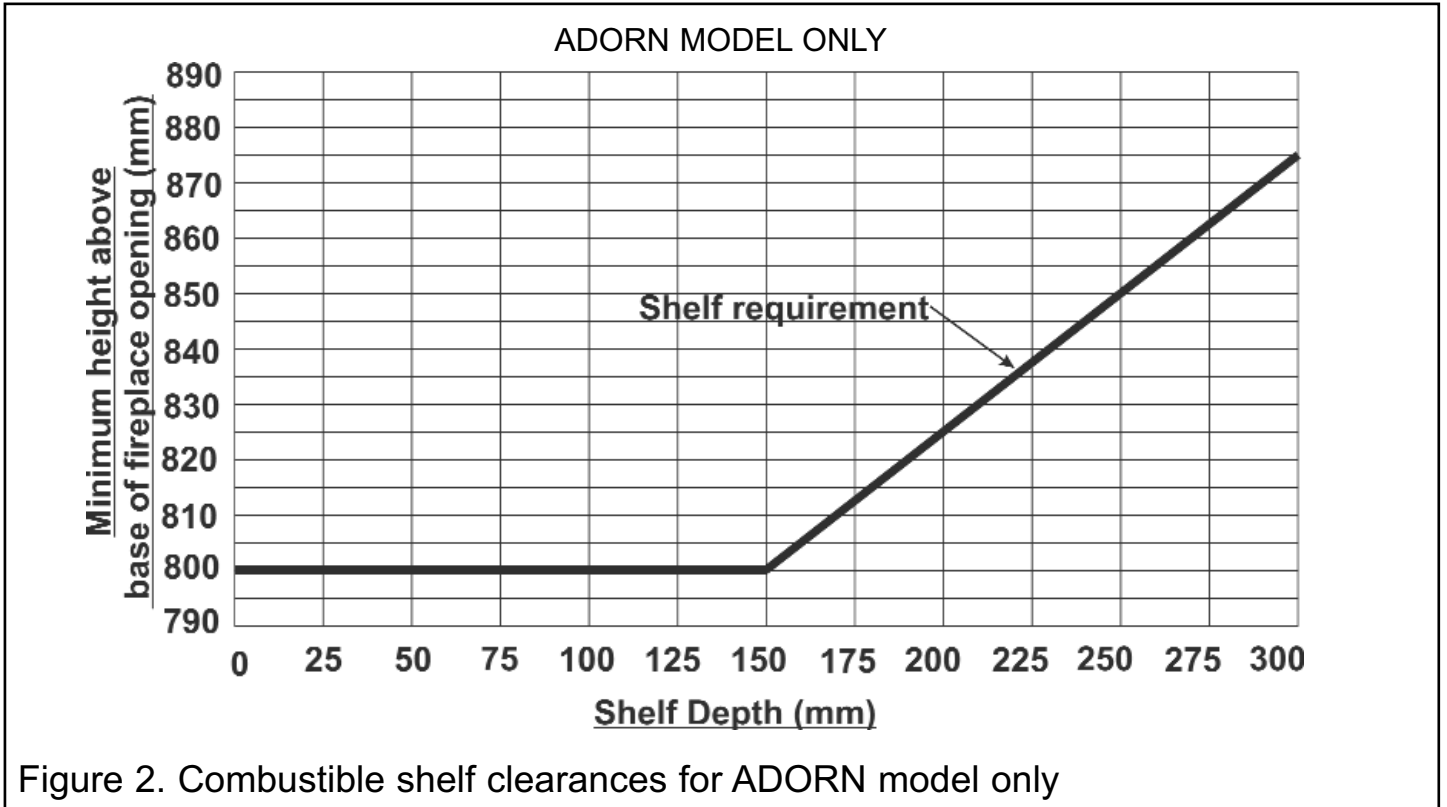
3.9 Fireplace clearances.

3.9.1 Adorn model only

The minimum height from the base of the fireplace opening to the underside of any shelf made from wood or other combustible materials is shown in figure 2.

Visage, Dream, Eternal, Decadent and icon models only.

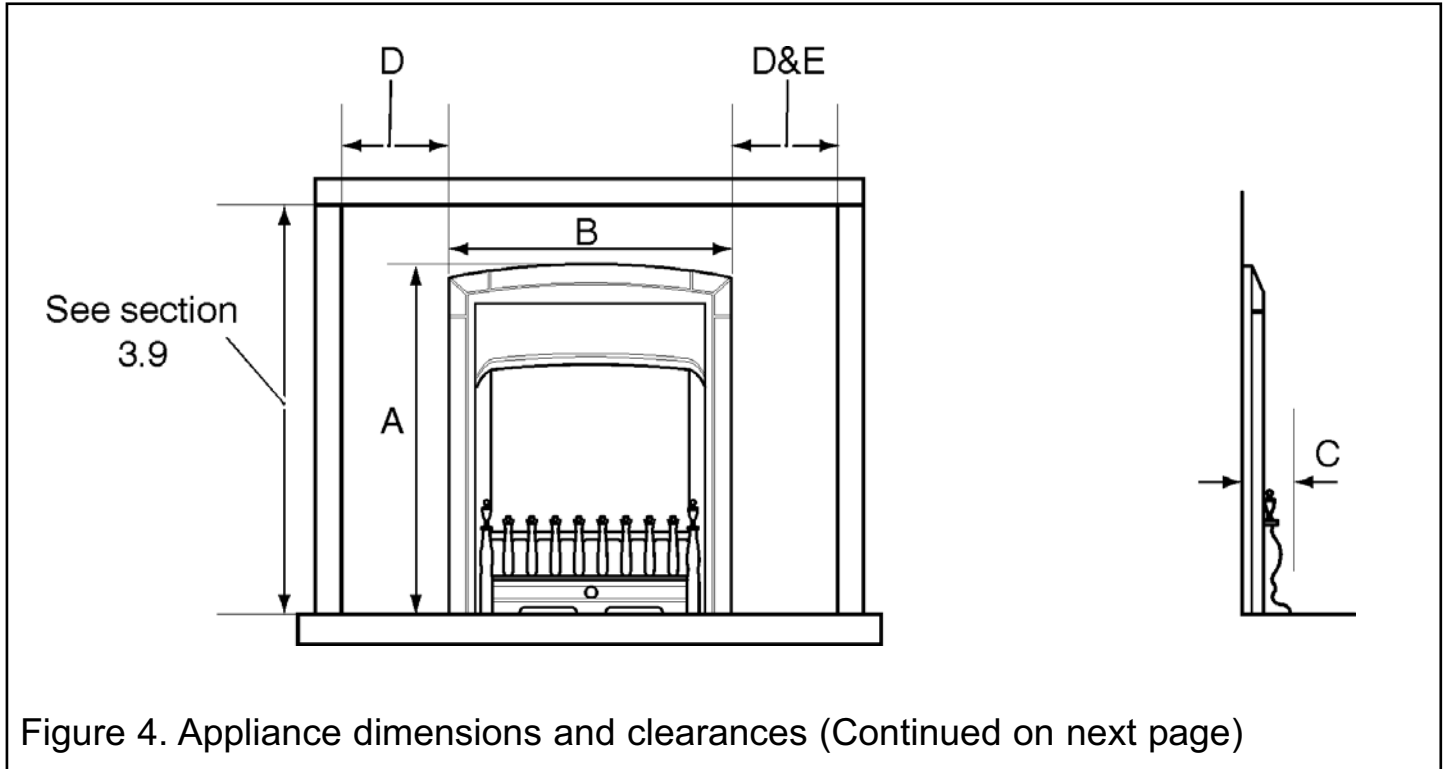
The minimum height from the base of the fireplace opening to the underside of any shelf made from wood or other combustible materials is shown in figure 3.



INSTALLER GUIDE

3.9.2 The minimum allowable distance from the outside of the appliance fascia to a corner wall having combustible material or any other combustible surface which projects beyond the front of the appliance is shown in figure 4.

A 10mm access clearance from a non-combustible surface is necessary at the left side (See figure 4).



INSTALLER GUIDE

| Key | Description | Model | | | | | | |
|-----|--|-------|--------|------|-------|---------|----------|-----------|
| | | Adorn | Visage | Icon | Dream | Eternal | Decadent | Obsession |
| A | Height (mm) | 768 | 611 | 622 | 636 | 611 | 625 | 621 |
| B | Width (mm) | 545 | 529 | 631 | 518 | 514 | 529 | 530 |
| C | Depth into room (mm) | 88 | 94 | 64 | 94 | 76 | 92 | 96 |
| D | Minimum mandatory clearance to combustible surfaces projecting beyond the front of appliance (mm). | 100 | 108 | 65 | 100 | 100 | 108 | 100 |
| E | Recommended clearance to non-combustible surfaces for access purposes (mm). | 10 | 10 | 65 | 50 | 50 | 108 | 50 |

Figure 4 continued. Appliance dimensions and clearances

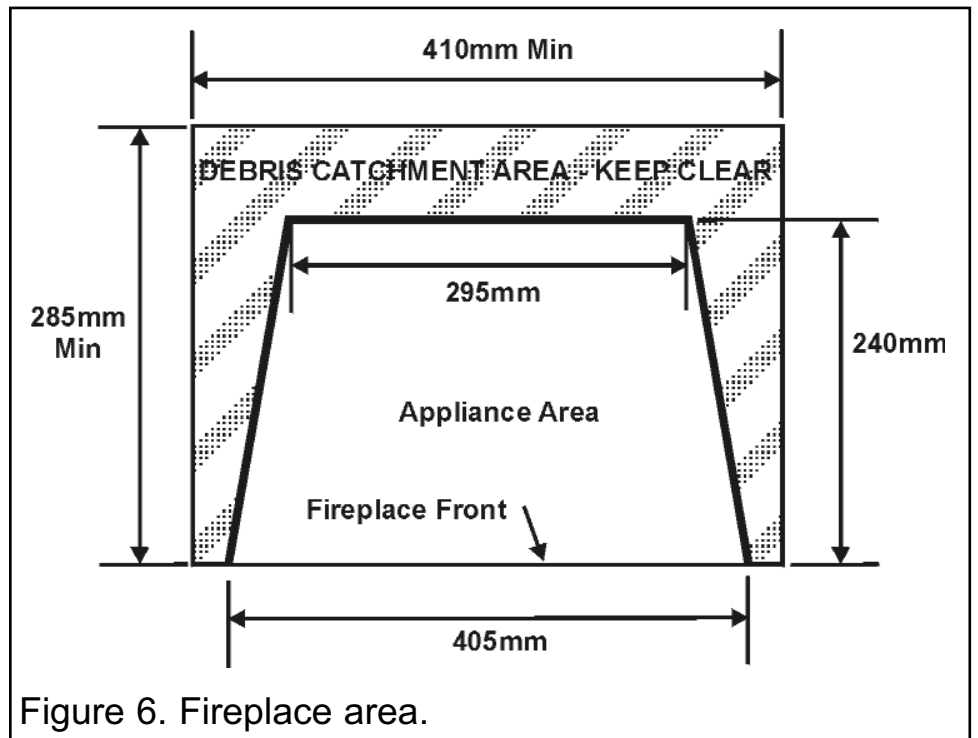
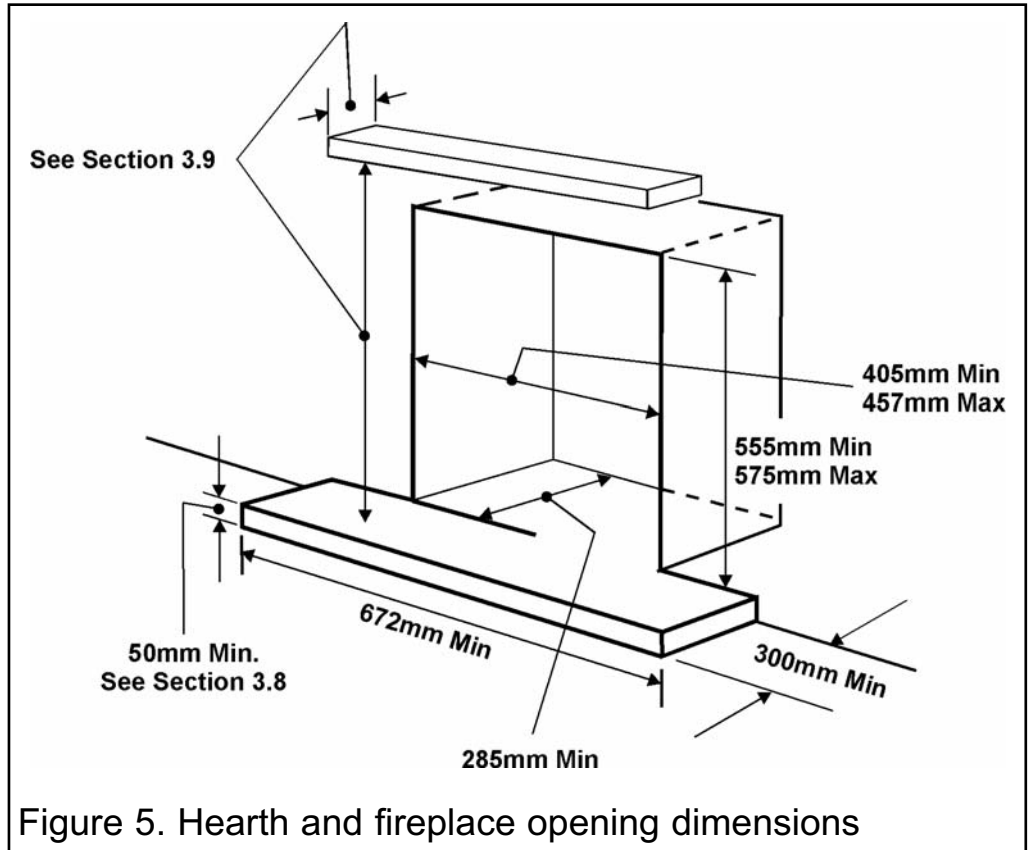
3.10 Installation options.

In the United Kingdom, as supplied, the appliance can be installed in the following situations: -

3.10.1 Conventional fireplace and hearth.

To a fireplace complete with surround and hearth as shown in figure 5 and complying with BS1251 after removal of the fireback and sufficient material behind the fireback for a debris catchment space. The required fireplace and debris catchment area are shown in figure 6.

INSTALLER GUIDE



3.10.1.1 'Hole-in-the-wall' Installations

- It is recommended that a hearth should be installed as in section 3.8.
- Icon firefront
If when using the Icon firefront a hearth is not fitted, the fire must be installed so that the distance from the base of the fireplace opening in the wall to the finished floor level is at least 100mm. Where there is no floor covering or carpet and the floor is of a type that is likely to be covered in such a way in the future

INSTALLER GUIDE

then the distance from the base of the fireplace opening in the wall to the floor level should be increased to at least 175mm.

- Adorn, Dream, Visage, Obsession and Eternal firefront

If when using the Adorn, Dream, Visage, Obsession and Eternal firefronts a reduced depth hearth is fitted, the fire must be installed so that the distance from the base of the fireplace opening in the wall to the finished floor level is at least 100 mm. It is recommended that the reduced hearth has a depth from the fixing plane of the fire of 100mm minimum. This is necessary to support the lower front casting. Where there is no floor covering or carpet and the floor is of a type that is likely to be covered in such a way in the future then the distance from the base of the fireplace opening in the wall to the floor level should be increased to at least 175mm.

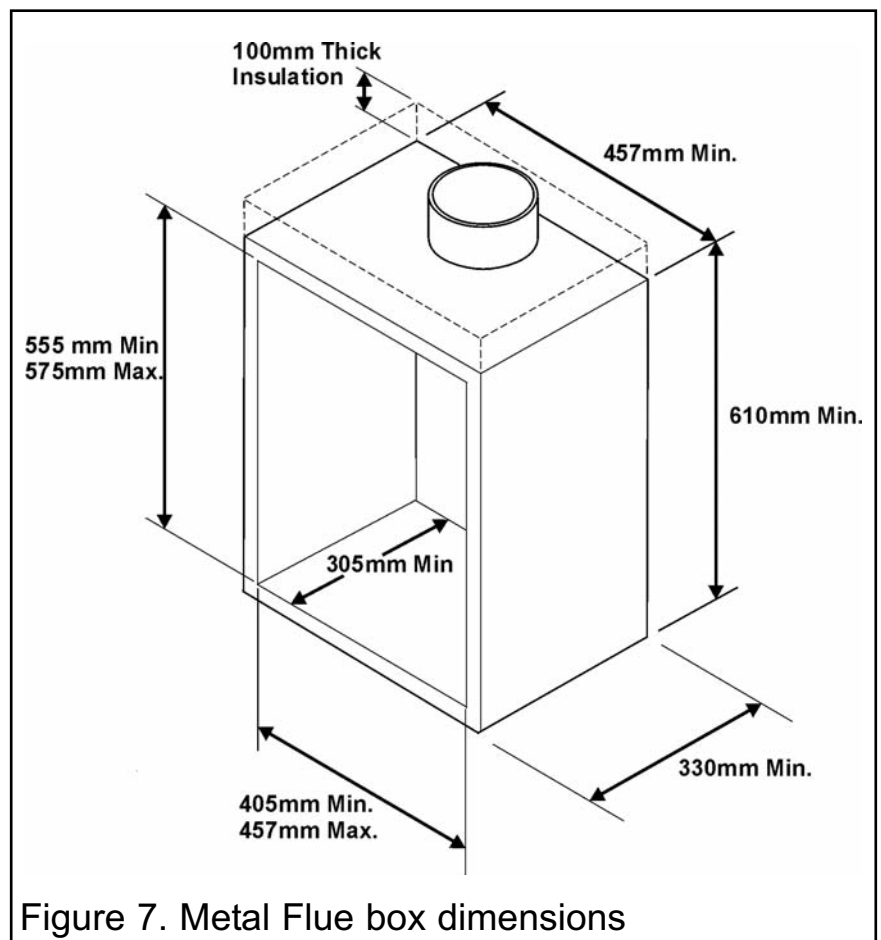
- To protect from the risk of burns and ignition of clothing a tactile separator shall be used. The hearth detailed in section 3.8 meets the requirements for a tactile separator. If this is not used then a 672mm long fender, kerb, horizontal bar, or other barrier, being fixed not less than 50mm above floor level and positioned 300mm in front of the fixing plane of the fire will meet the requirement.

3.10.2 Metal flue box and hearth.

The appliance can be installed to a fireplace incorporating a metal flue box complying with the constructional requirements of the current edition of BS 715 and with a flue conforming to BS EN 1856 part 1. The dimensions of the flue box must conform to those shown in figure 7.

The top of the metal flue box must be covered with a 100mm layer of mineral wool or equivalent insulation (See figure 7).

Important Note: Where the flue box has a base sheet that is single wall (i.e. a single metal sheet) the flue box must be mounted on a non-combustible hearth. The hearth material must be at least 12mm thick.



INSTALLER GUIDE

2. The flue must conform to BS 5440: Part 1 in design and installation.

The flue, measured from the bottom of the fireplace opening to the bottom of the terminal, shall be not less than 3m in actual vertical height. When calculated in accordance with BS 5440: Part 1 Annex A, the minimum **equivalent** height of the flue shall be 2.0m of 125mm dia. flue pipe.

3. The flue must not be used for any other appliance or application.

4. Proprietary terminals must comply with BS 715 or BS 1289. Any terminal or termination must be positioned in accordance with BS 5440 Part 1 to ensure that the products of combustion can be safely dispersed into the outside atmosphere. Where the appliance is connected to an unlined brick chimney it is generally unnecessary for the chimney pot to be replaced or for a terminal to be fitted unless the flue has a diameter smaller than 170mm.

3.12 Propane fires.

Propane gas appliances must not be installed in a room that is built entirely below ground level (See BS 5871 Part 2).

INSTALLER GUIDE

4. PACK CONTENTS

Carefully remove all the contents. Take special care in handling the ceramic pieces. Take care not to bend or distort the slide control linkage when handling the fascia. Check that all the listed parts are present and in good condition.

The items required for this appliance are packed in sections.

Section 1 - Fire unit contains:

- 1 Burner and convection box unit (On Dream models a slider control is fitted to the convector box).
- 1 Inlet 'T' connector including pressure test point, nut and olive for 8mm inlet pipe.
- 2 Small "U" seals (For convection box side flanges).
- 1 Strip of floor sealing tape.
- 6 Fibre plugs (Four for eyebolts / screws and two for floor fixing).
- 4 Woodscrews.
- 2 Fire retaining cables.
- 2 Cable clamps.
- 4 Eyebolts.
- 1 Rubber grommet.
- 1 Flue restrictor.
- 1 Rear ceramic wall support bracket.
- 2 No.8 x 3/8" Screws (For rear ceramic wall support bracket).
- 3 No.8 x 3/8" Screws (For flue restrictor).
- 3 No.8 x 3/8" Screws (For outlet baffle / heatshield).
- 4 No.8 x 3/8" Screws (For fitting the hood on the Dream).
- 1 Knurled shouldered screw (For control linkage fixing).
- 2 M4 x 30mm machine screws (For Adorn fascia securing).
- 2 M4 x 25mm machine screws (For Dream fascia securing).
- 2 M4 x 10mm screws (zinc) (For Decadent fascia securing).
- 2 M4 x 10mm screws (black) (For Decadent, Obsession, Eternal and Visage fascia bracket securing).
- 2 Washers (For Adorn and Dream fascia securing)
- 2 Surround securing brackets on Visage, Eternal and Decadent.
- 1 Slider control label.
- 1 PP3 Battery.
- 1 Smoke match tube.
- 1 Length of self adhesive foam seal.
- 1 Literature pack.
- 1 Ceramic fuel effect pack including a fuel effect (Not shown), a ceramic back wall and a pair of ceramic side walls.

INSTALLER GUIDE

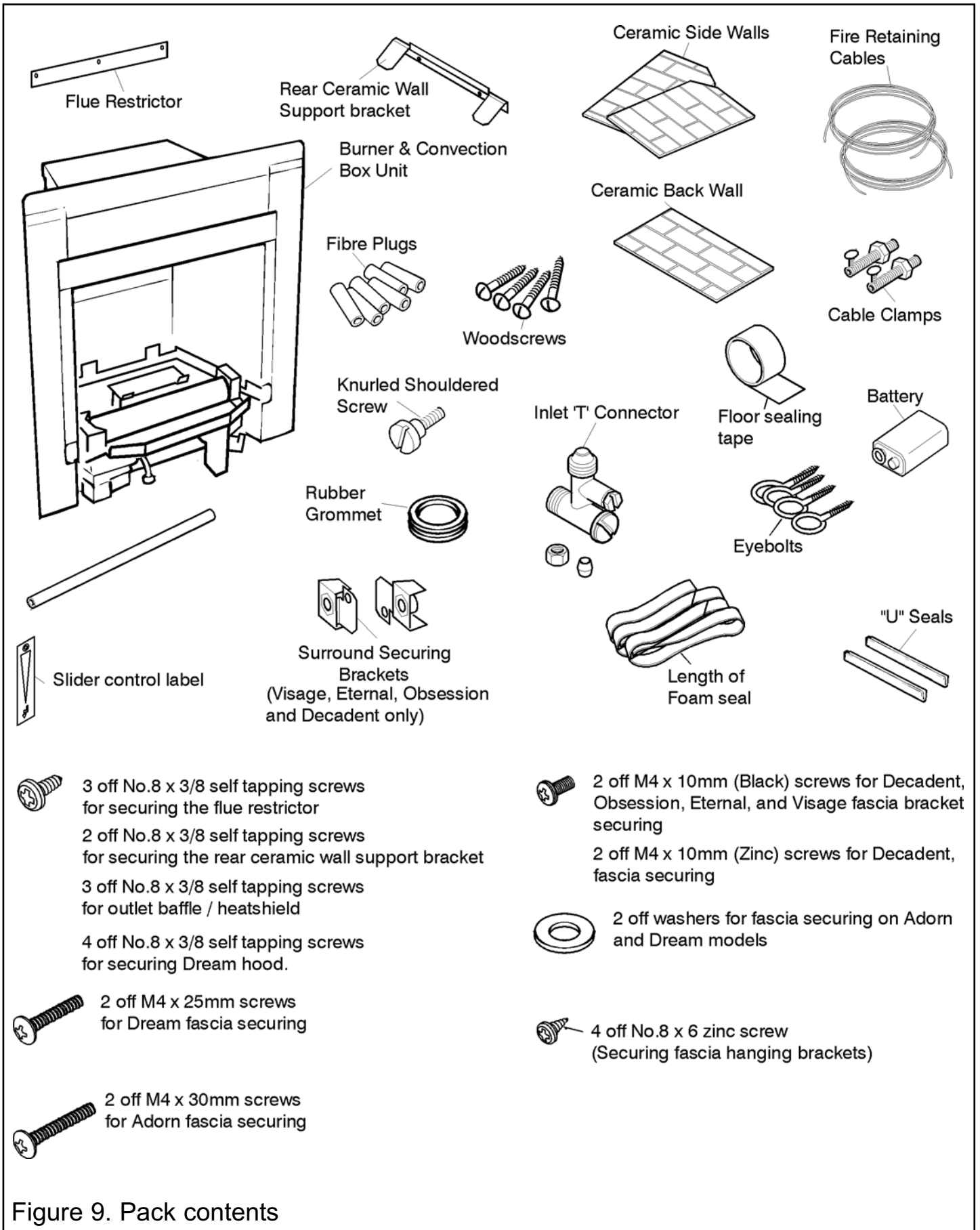


Figure 9. Pack contents

INSTALLER GUIDE

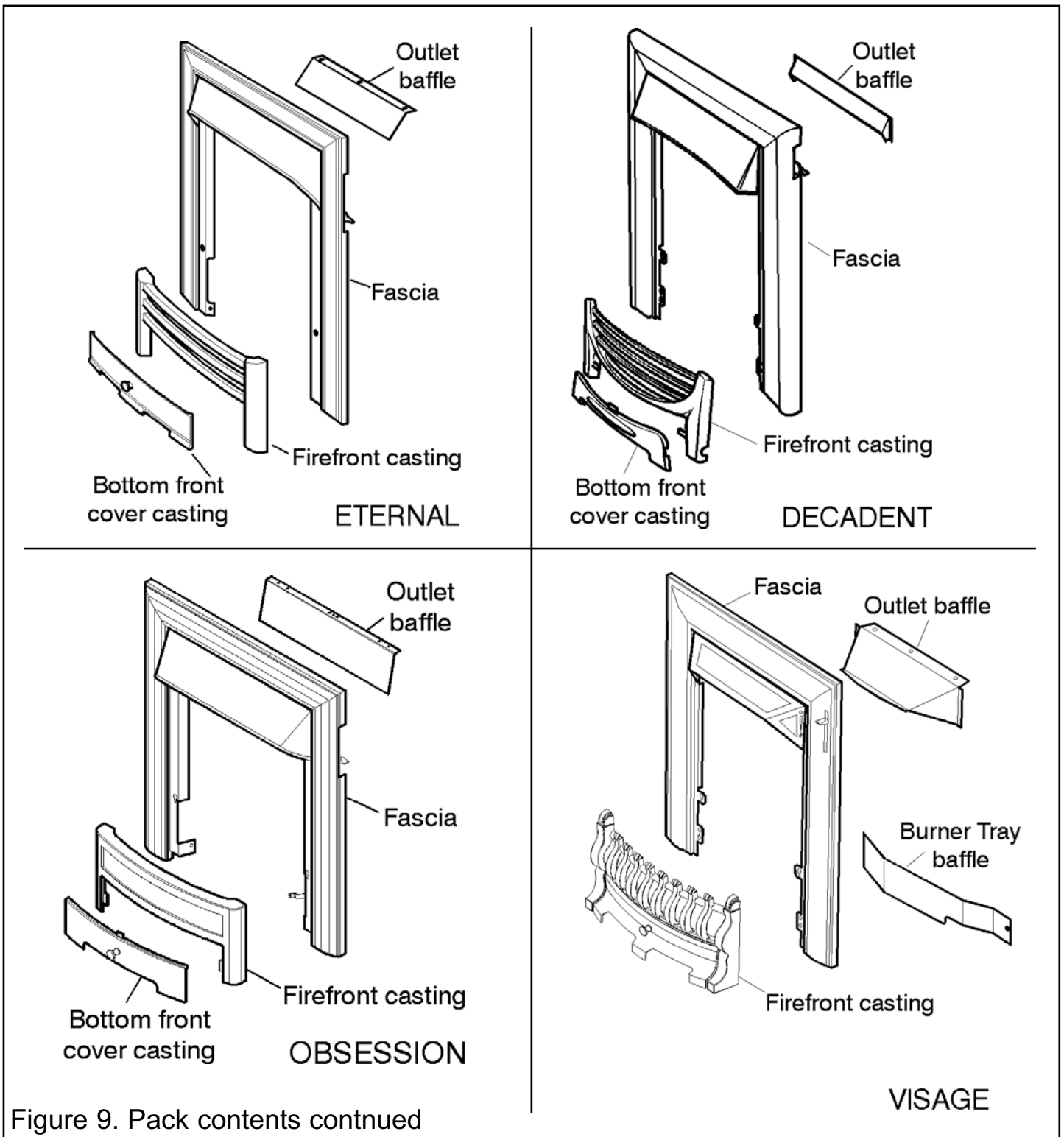
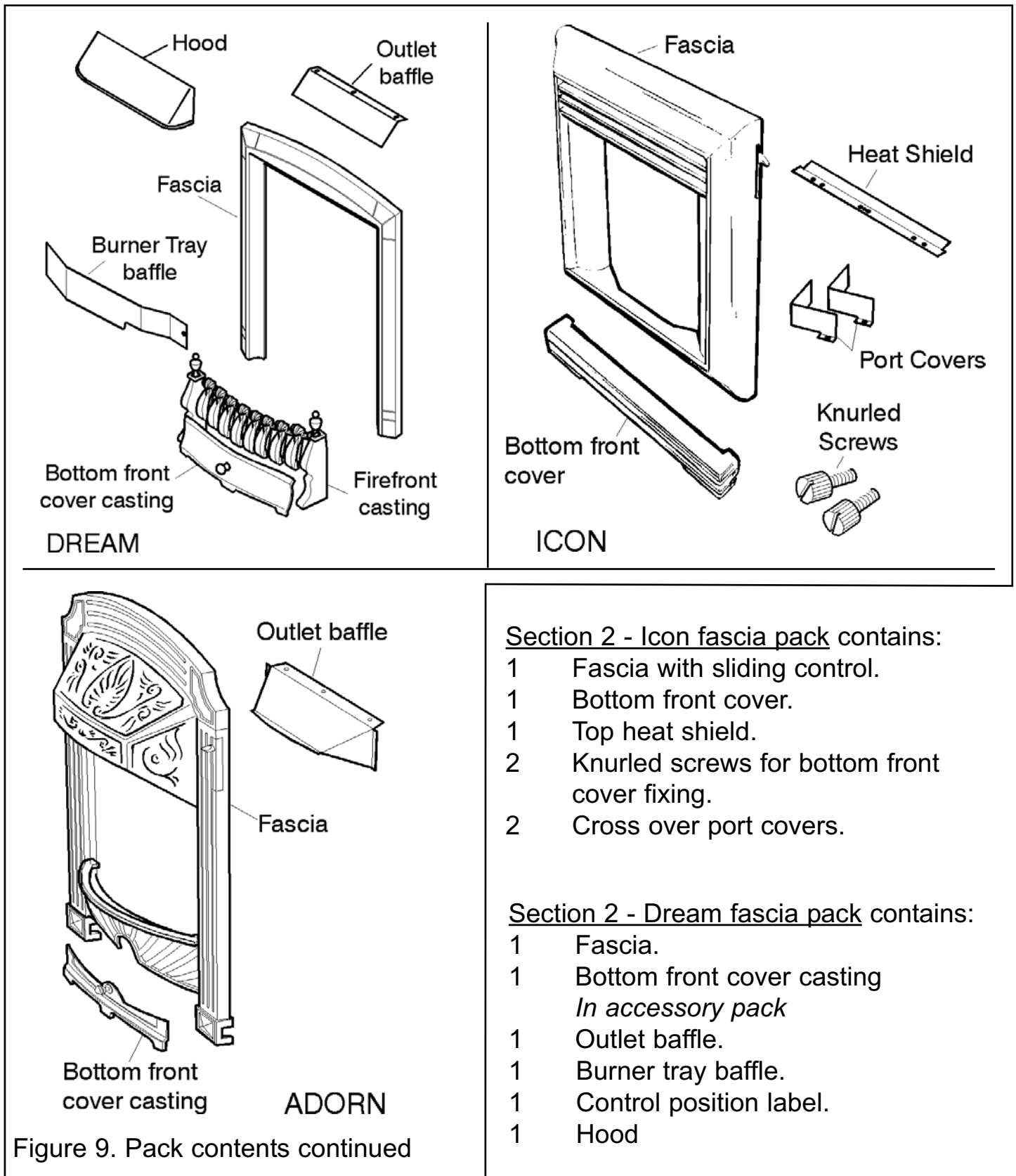


Figure 9. Pack contents continued

Section 2 - Visage, Eternal, Decadent and Obsession fascia pack contains:

- 1 Fascia with sliding control.
- 1 Fire front casting.
- 1 Bottom front cover casting (Not on Visage).
- 1 Outlet baffle.
- 1 Burner tray trim (Visage only)

INSTALLER GUIDE



DREAM

ICON

ADORN

Figure 9. Pack contents continued

Section 2 - Icon fascia pack contains:

- 1 Fascia with sliding control.
- 1 Bottom front cover.
- 1 Top heat shield.
- 2 Knurled screws for bottom front cover fixing.
- 2 Cross over port covers.

Section 2 - Dream fascia pack contains:

- 1 Fascia.
- 1 Bottom front cover casting
In accessory pack
- 1 Outlet baffle.
- 1 Burner tray baffle.
- 1 Control position label.
- 1 Hood

Section 2 - Adorn fascia pack contains:

- 1 Fascia with sliding control.
- 1 Bottom front cover casting.
- 1 Outlet baffle.

5.1 Soundness for appliance attachment

Two primary methods of retaining the appliance are provided: -

- 1) By fixing to the fireplace front surround.
- 2) Using concealed tension cables fixed to the rear of the fireplace opening together with secondary fixing to the fireplace floor.

The methods are detailed in section 9 of this manual. Before selecting the retention method, consult with the customer. Method 2 is provided for instances where drilling holes in the front surface of the fireplace surround is unacceptable to the customer or otherwise impractical. *N.B. It is unwise to attempt to drill into marble without the proper tools and equipment.*

If method 2 is chosen, make sure that the areas at the back and towards the centre of the fireplace floor are sound enough to take the eyebolts and screws. If these areas have deteriorated due to prolonged use, they should be made sound with suitable cement.

If method 1 is chosen, make sure that the front surround area is sound enough to take the fibre plugs and woodscrews. If necessary, make sound with suitable cement.

5.1.1 Installations using a metal flue box

The whole of the top surface of the metal flue box must be covered with a 100mm layer of mineral wool or equivalent insulation (See figure 2).

5.2 **Fireplace flue pull.**

Close all doors and windows in the room in which the appliance is to be installed. After confirming with a match that smoke is drawn into the flue, light a 13 gram smoke pellet and check that there is a definite flow through the flue. Verify outside that the smoke exits from one terminal only and that the termination is suitable. Observe, where possible, upstairs rooms and loft spaces for signs of escaping smoke indicating a defective flue. If there is not a definite flow warm the flue for a few minutes and repeat the smoke pellet test. If there is still no definite flow the flue may need remedial work – **Do not fit the appliance until there is a definite flow through the flue.**

INSTALLER GUIDE

6. IGNITION CHECK

Before attempting to install, it is worth checking that the electronic ignition system performs satisfactorily.

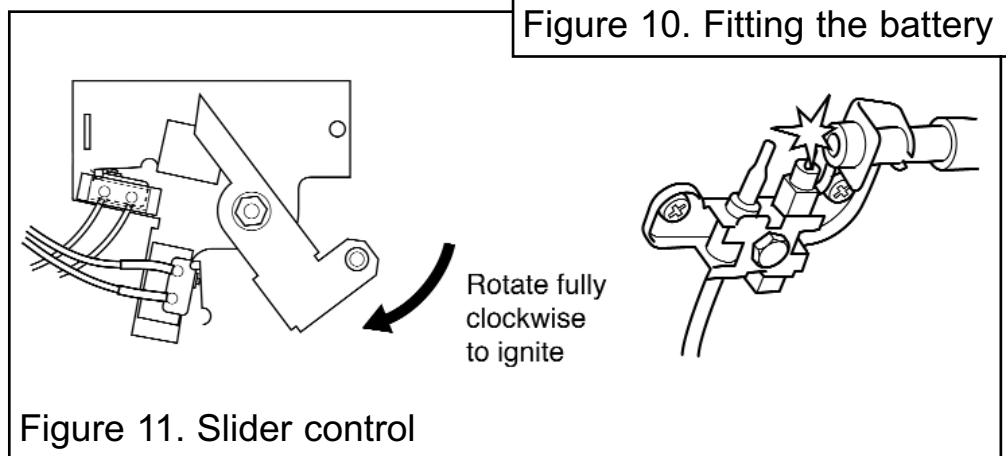
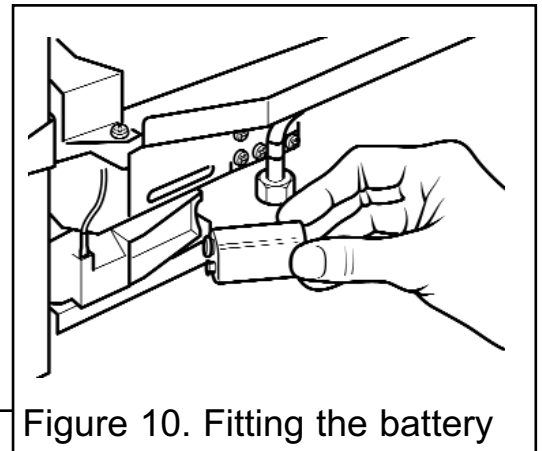
Fit the battery to the ignition block located below the burner tray at the left side (See figure 10). The locations for the +ve and -ve terminals are marked on the battery holder.

Rotate the control pivot bracket clockwise as far as it will go and hold in this position (See figure 11). This should close the ignition circuit and sparks should be seen tracking from the electrode pin to the pilot tip (See figure 11).

If there are no sparks make the following checks.

- Check condition of battery and that it is correctly fitted.
- If the above is satisfactory, check the ignition circuit and components - see

section 17 which is the servicing and parts replacement section in this guide.



7. GAS SUPPLY CONNECTION

A nut and olive are provided for an 8mm pipe inlet connection to the 'T' connector at the bottom front of the appliance. The 'T' connector can be rotated to allow a connection from any direction and includes a valve for isolating the gas supply and a pressure test point.

The supply pipe must be rigid material. Flexible pipe must not be used.

Concealed Supply Pipe Connection.

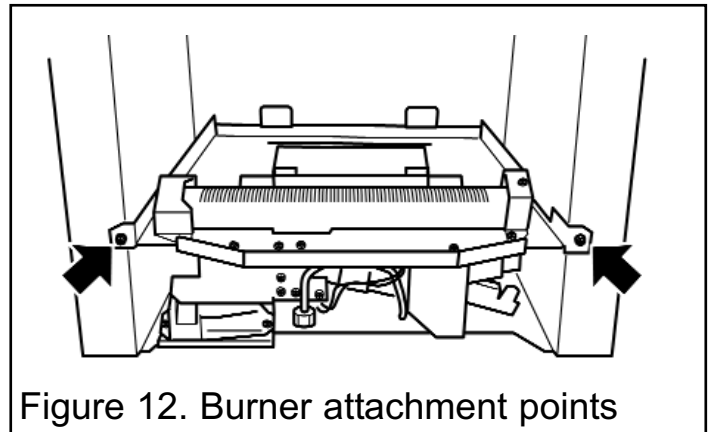
If a concealed connection from inside the fireplace is required then, **before the appliance is fitted into the fireplace** it will be necessary to extend the supply line so that it will project through the hole in the back of the convection box and run to the 'T' connector at the front. The pipe run from the supply line up to the rear opening in the convection box must be kept away from the area which will be taken by the convection box when it is installed (See figure 6).

Note that the centre of the appliance inlet 'T' connector is 25mm above the fireplace floor. The inlet 'T' connector should be fitted to the supply pipe at this stage.

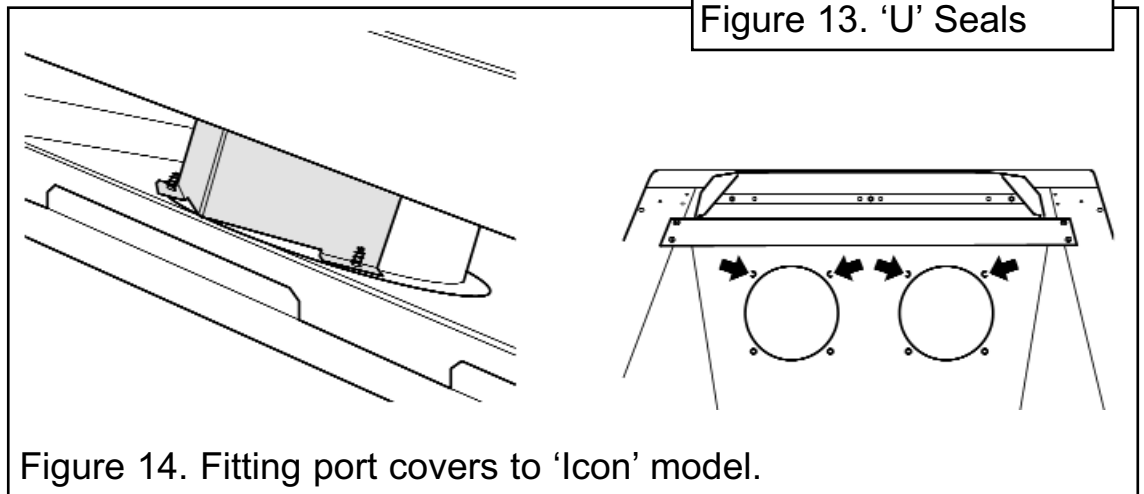
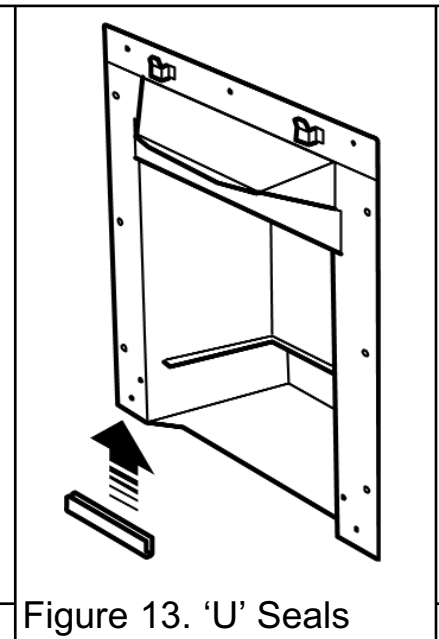
INSTALLER GUIDE

8. PREPARING APPLIANCE FOR INSTALLATION

1. Detach the burner unit from the convection box by removing two screws (See figure 12). Lift the burner unit clear.
2. Fit the two “U” section seals to the bottom edges of the convection box side flanges (See figure 13).
3. **It is important that the grommet supplied in the loose parts pack is fitted to the hole in the rear of the convection box.**



4. For concealed connection only:
Pierce the grommet to allow the pipe to pass through it. The grommet should envelop the pipe. If the hole is larger than the pipe, seal it with tape. **Do not pierce the grommet unless the supply pipe is to pass through it.**
5. The 'Icon' fascia is supplied with two port covers. To fit the port covers unscrew the four cross over port screws shown in figure 14. Put the port covers in place and refit the screws previously removed. *Ensure that the screws are tight and that the cross over ports have returned to their original position. Also check that there are no gaps between the cross over ports and the surfaces they are screwed to* (See figure 14).



INSTALLER GUIDE

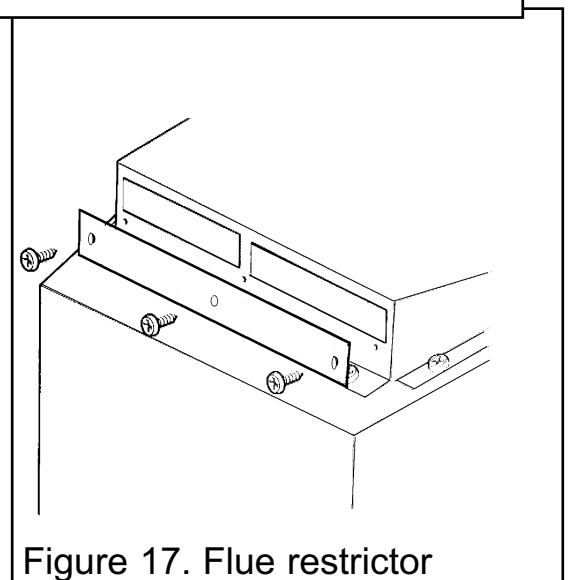
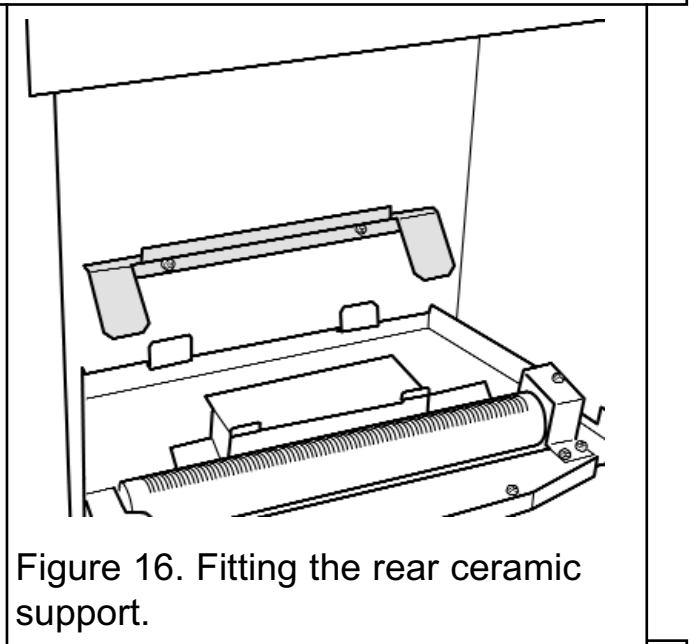
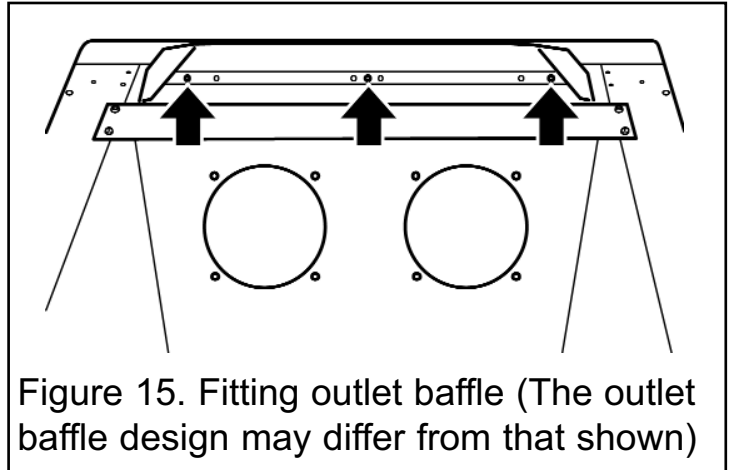
6. The **Adorn, Visage, Eternal, Decadent, Obsession** and **Dream** models have an outlet baffle supplied with the appliance fascia. Fit this to the convected air outlet of the appliance using the three self tapping screws supplied with the fascia (See figure 15).

The **Icon** model has a heat baffle supplied with the appliance fascia. Fit this to the convected air outlet of the appliance using the three self tapping screws supplied with the fascia (See figure 15).

7. This appliance is supplied with a rear ceramic support bracket. Fit this using two screws supplied (See figure 16)

8. This appliance is supplied with a flue restrictor for use where the flue draught is excessive. Generally we recommend the restrictor is NOT fitted where a precast flue, metal flue box or a flue liner is used, however, certain flues may work sufficiently to warrant its use. There may however, be circumstances where fitting the restrictor causes the fire to fail the spillage test. In such cases the restrictor will have to be removed. After removal conduct the spillage check again.

The restrictor is packed loose with the appliance and is fixed with three screws (See figure 17).



INSTALLER GUIDE

9. There is a length of self adhesive foam seal supplied with the fire. This will need to be fitted to the outer rear edges of the side and top flanges of the convection box. Cut a 485mm length of foam seal. Be careful not to stretch the seal when measuring. Remove the protective backing from the foam seal and fit this to the rear of the top flange (See figure 18). Cut two 580mm lengths. Fit these to the rear outer edges of the side flanges. Ensure that there is no gap between the foam seals where they meet at the top flange (See figure 18)

10. Visage, Decadent, Obsession and Eternal models only

Fit the two surround securing brackets to the convection box side flanges with the screws supplied. Note the different orientation of the brackets at left and right sides (See figure 19).

The foam seal should touch at this point. Ensure that there is no gap between the seals.

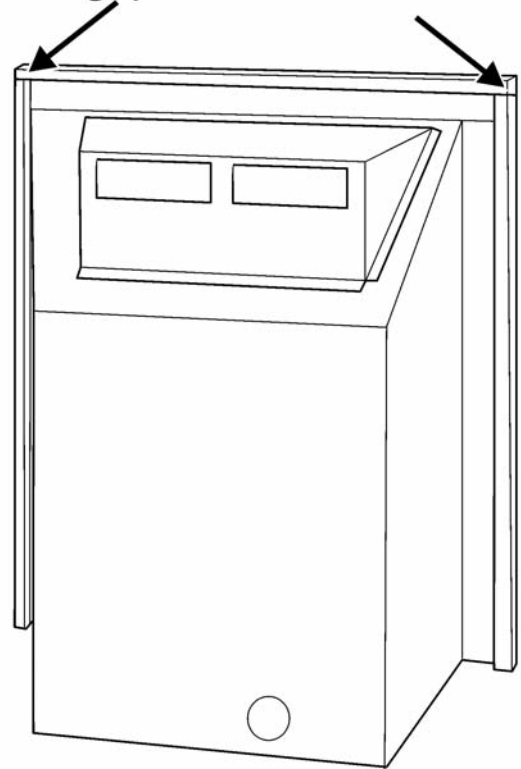


Figure 18. Fitting the foam seal

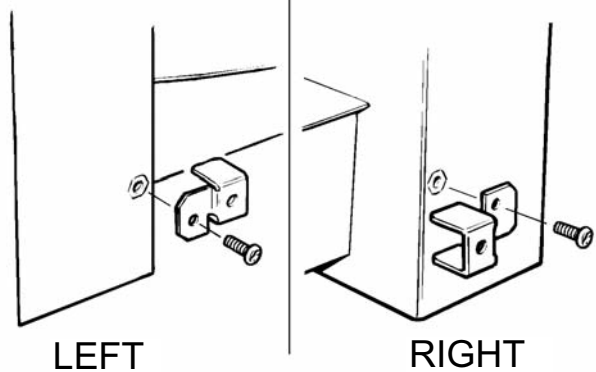


Figure 19. Surround securing brackets

INSTALLER GUIDE

9. CONVECTION BOX INSTALLATION

9.1 Method 1 - Front fixing to fireplace surround.

1. Make sure that the fireplace front surround area is sound enough to take the fibre plugs and woodscrews. If necessary, make sound with suitable cement.
2. Place the convection box centrally in the fireplace in the position in which it is to be permanently installed. If a concealed connection is being used, insert the convection box into the fireplace feeding the supply pipe through the pierced hole in the rear grommet.
3. Mark the fireplace front surround through the four fixing holes in the side flanges of the convection box (See figure 20).
4. Remove the convection box. Drill four holes in the fireplace front surround at the marked positions using a suitably sized masonry drill bit for the wall plugs supplied.
5. Insert a fibre plug into each hole.
6. Place the convection box back in position in the fireplace.
7. Fit a woodscrew through each hole in the convection box flanges and tighten to seal the box to the fireplace surround.

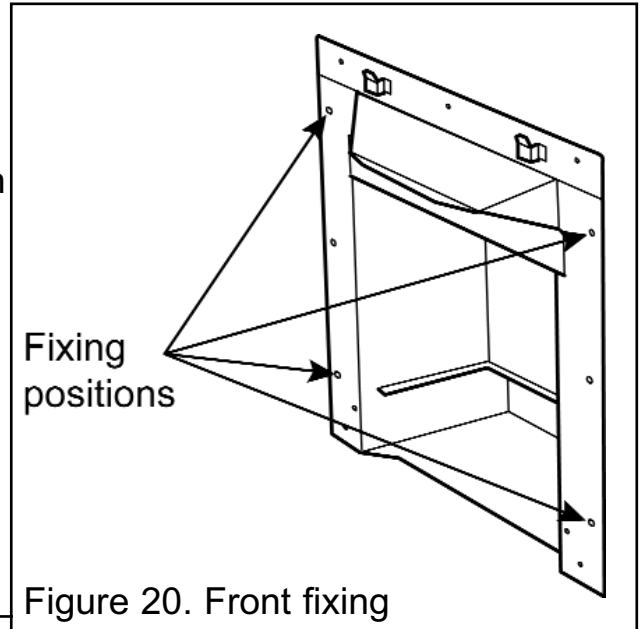


Figure 20. Front fixing

9.2 Method 2 - Cable retention and floor fixing.

1. Make sure that the relevant areas at the fireplace back or floor are sound enough to take the eyebolts and screws. If these areas have deteriorated due to prolonged use they should be made sound with suitable cement.
2. Drill four holes in the rear wall of the fireplace for the eyebolt plugs. The holes should be drilled within the range of positions shown in

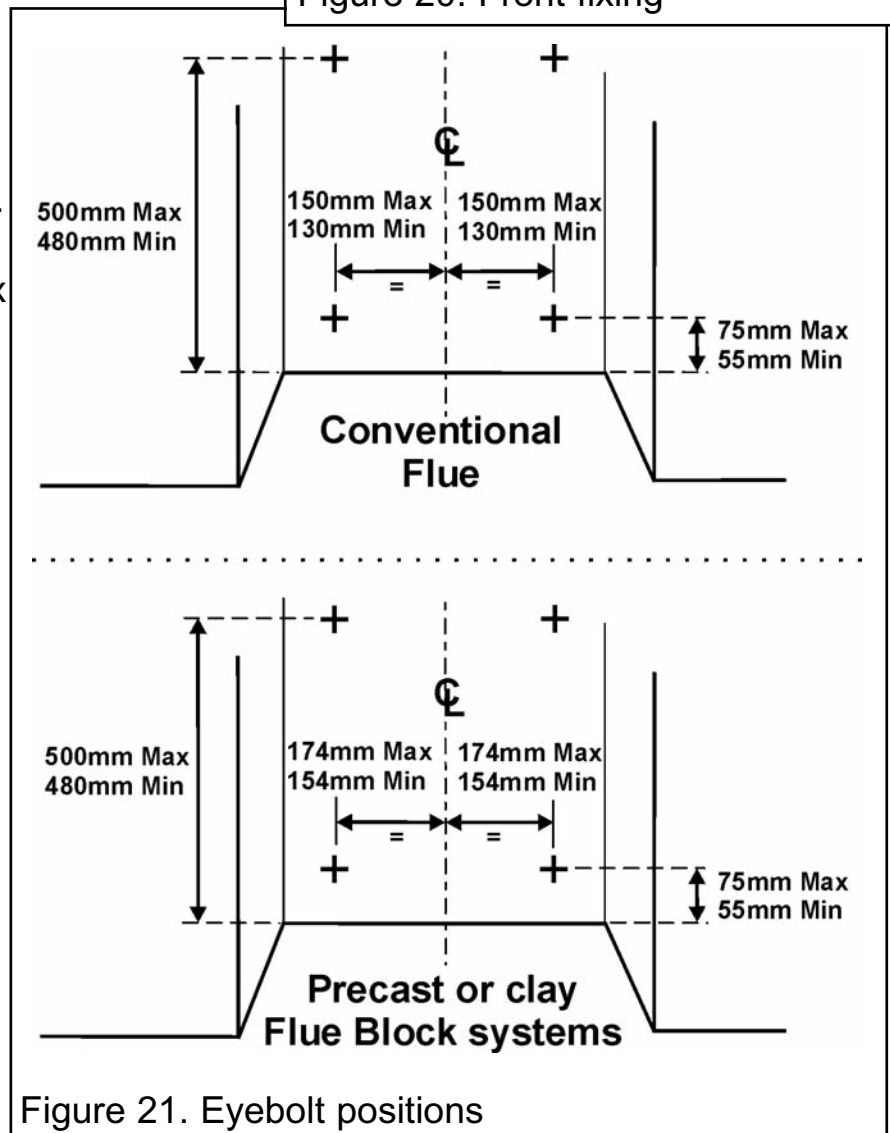


Figure 21. Eyebolt positions

INSTALLER GUIDE

figure 21 using a suitably sized masonry drill bit for the wall plugs supplied. The holes should be equidistant each side of the centre line of the fireplace to ensure that the appliance finishes centrally in the opening when tension is applied to the cables.

3. Insert a fibre plug into each hole. Use the fibre plugs supplied with this appliance - **Never use plastic plugs instead of the fibre plugs supplied.** Screw the eyebolts into the plugs. Make sure that the bolts are secure.

4. Place the convection box unit close to the fireplace but allow sufficient access into the fireplace opening so that the cables can be threaded through the eyebolts and returned through the back of the convection box. If a concealed connection is being used, insert the convection box into the fireplace feeding the supply pipe through the pierced hole in the rear grommet.

5. The convection box has two holes at each side of the convected air opening. Insert one end of each cable (one cable each side) from the back through the lower of the two holes and return the end through the upper of the holes (See figure 22). Give the cables a pull so that they grip against the convection box flanges.

6. Thread the cables through the eyebolts. Return the cables through the holes near the bottom of the convection box back panel (See figure 23) (**For precast or clay block flue systems return the cables through the slotted holes in the side of the convection box**).

7. Place the convection box fully back into the fireplace opening so that it is sealed against the fireplace front surround.

8. Drill a hole into the fireplace floor through each of the two holes in the base of the convection box using a suitably sized masonry drill bit for the wall plugs supplied (See figure 24).

9. Insert a fibre plug into each hole. Use the fibre plugs supplied with this appliance - **Never use plastic plugs instead of the fibre plugs supplied.** Fit a woodscrew in each plug and tighten.

Always screw the base into position before applying tension to the cables. This will ensure a tight seal between the top of the convection box and wall.

10. Fit a cable retainer over the bottom end of each cable.

11. Pull each cable taut. Push the cable retainers hard up against the back panel. The end of the cable

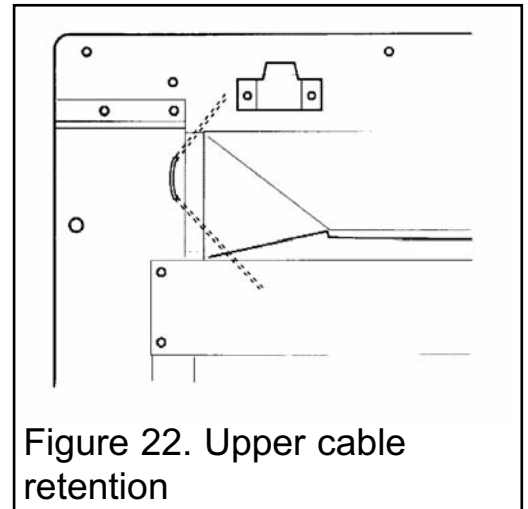


Figure 22. Upper cable retention

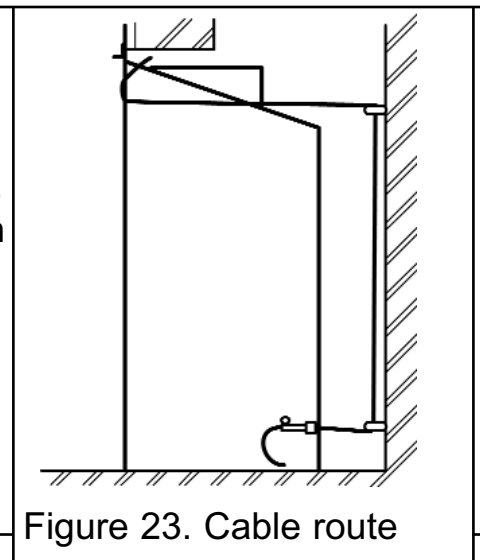


Figure 23. Cable route

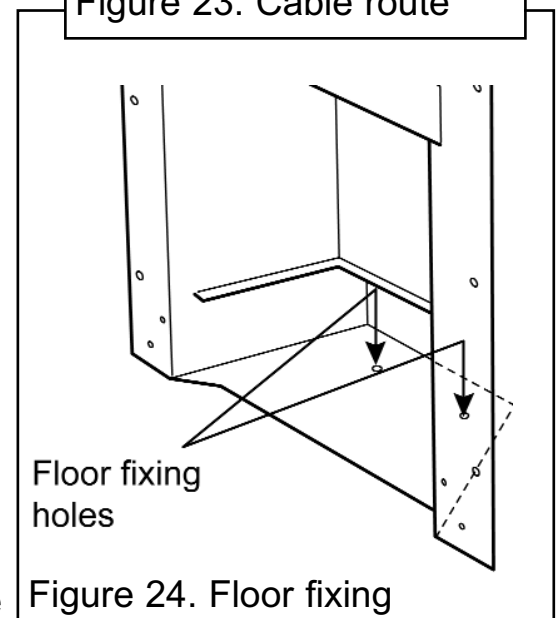


Figure 24. Floor fixing

INSTALLER GUIDE

adjuster will pass into the hole. Tighten the screws in the retainers so that they clamp the cables in position. Apply tension to the cables by turning the hexagonal adjusters by hand (See figure 25).

12. Inspect the installation of the convection box against the fireplace surround. If the convection box is aligned squarely and the sealing is satisfactory, fully tighten the cable retainers.

13. If the convection box is not correctly aligned, release the tension on the cables by slackening the screws and turning the hexagonal adjusters fully anticlockwise. The convection box should then automatically realign itself. Pull each cable taut again and push the cable retainers back against the back panel. Again, tighten the screws in the retainers and apply tension to the cables by turning the hexagonal adjusters clockwise as far as possible.

14. Feed the free length of the cables into the gap between the inner and outer back panels so that they are available to allow easy removal and refitting of the appliance during subsequent service calls. **Do not cut off the free lengths of cable.** On precast flue installations feed the cables into the small holes at the base of the side panels (See figure 25)

9.3 Sealing floor front - All installations.

Using the floor sealing tape supplied, seal the bottom of the convection box to the fireplace and hearth floor (See figure 26).

Make sure that the whole length of the front edge of the convection box is fully sealed.

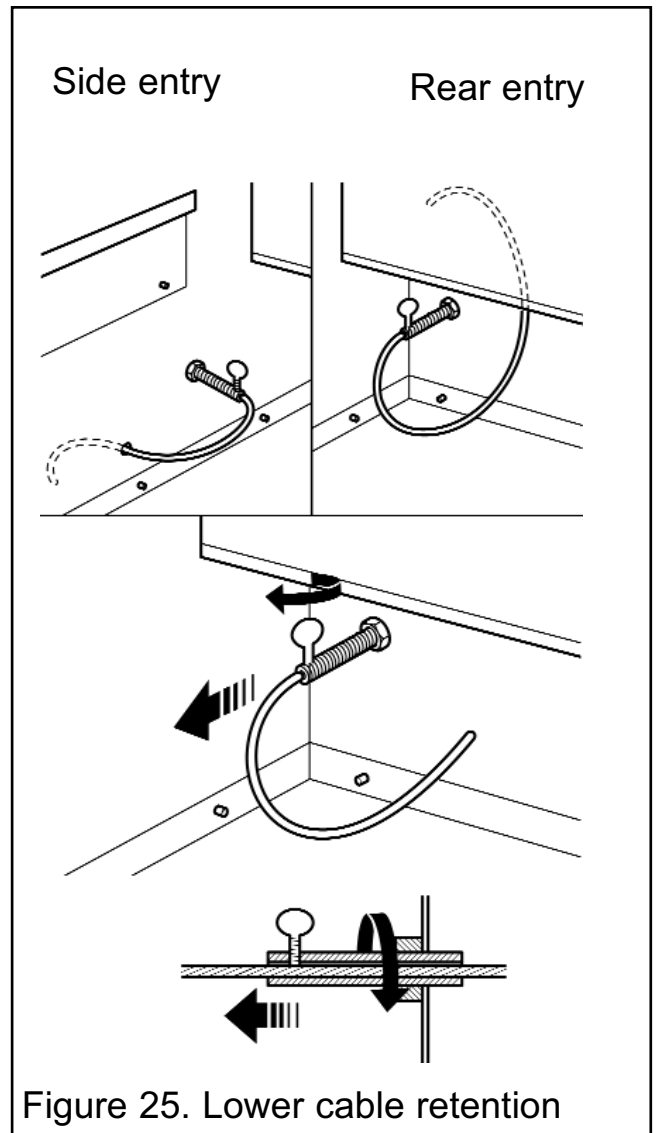


Figure 25. Lower cable retention

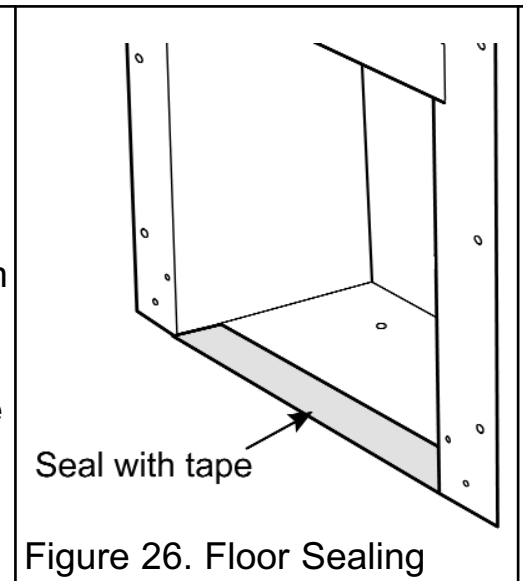


Figure 26. Floor Sealing

10. BURNER AND SUPPLY PIPE INSTALLATION

10.1 Burner and supply pipe installation.

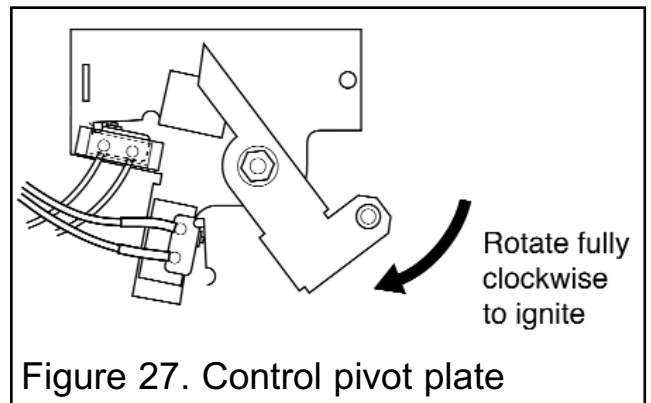
1. Refit the burner unit to the convection box with two screws.
2. Connect the supply line to the appliance.
3. Turn on the gas supply and pressure check the installation pipework for gas soundness. In the United Kingdom (GB) check in accordance with the current edition of BS 6891. In the Republic of Ireland check in accordance with the current edition of IS 813 "Domestic Gas Installations".

10.2 Preliminary burner checks.

Some burner operations can be checked at this stage. Checking now will mean that less disassembly will be required if any problems are found. **A full check should still be made, however, after final installation.**

1. If closed, open the isolating valve at the inlet 'T' connector and replace the end cap.

2. Rotate the control pivot bracket clockwise as far as it will go and hold in this position (See figure 27). This should close the ignition circuit and simultaneously open the gas tap allowing the gas to flow to the pilot. Wait a few seconds while the air is purged. The electronically generated sparks should light the pilot. The pilot should then light the main burner at its low setting. There may be a delay of up to four



seconds between the pilot lighting and ignition of the gas at the main burner. This is normal and is due to the time required to fill the main burner compartment with sufficient gas for ignition.

3. When the burner is operating properly, gradually turn the control pivot bracket anti-clockwise. The burner flames should gradually increase until the pivot bracket is nearly at its furthest anti-clockwise rotation. Rotating further until the pivot bracket comes to a stop should then turn the burner and pilot off.

4. If the above checks are satisfactory, continue with the installation. If not, check the control and ignition circuitry and components as described in the servicing section of this guide.

INSTALLER GUIDE

10.3 Inlet pressure check.

The appliance is pre-set to give the correct heat input at the inlet pressure shown in section 2 of this manual. No adjustment is necessary.

1. Ensure that the fire is turned OFF before removing the pressure test point sealing screw. Check the inlet pressure by fitting a pressure gauge at the test point. The test point is on the inlet 'T' connector (See figure 28). Check the pressure with the appliance alight and set at maximum output.

2. After checking, turn off the appliance. Remove the pressure gauge and replace the test point sealing screw.

3. Relight the appliance. Turn to the maximum output position and test around the sealing screw for gas soundness with a suitable leak detection fluid.

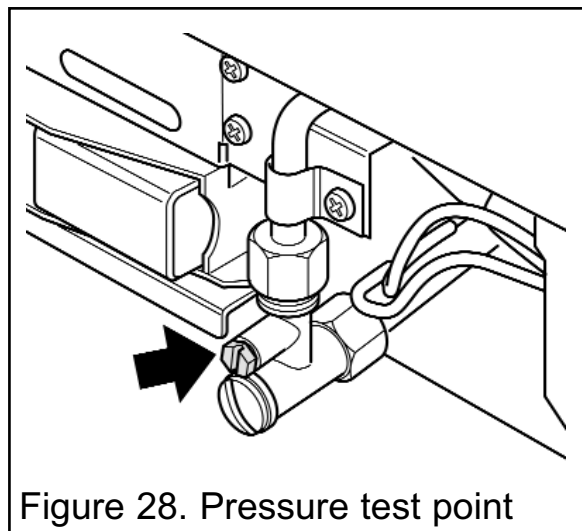


Figure 28. Pressure test point

When the above checks from section 10.2 and 10.3 have been completed, turn the appliance OFF and close the isolating valve on the inlet 'T' connector. This will prevent any accidental gas flow / ignition whilst fitting the ceramic fuel effect and fascia.

11. CERAMIC WALLS INSTALLATION

1. Fit the ceramic rear wall inside the "L" bracket on the back face of the burner compartment. Push the ceramic wall flat against the back face of the burner compartment (See figure 29).

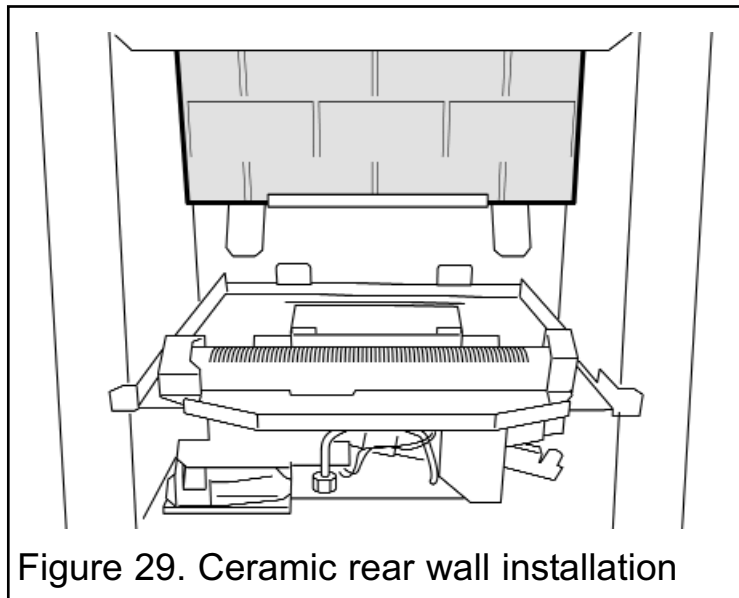


Figure 29. Ceramic rear wall installation

INSTALLER GUIDE

2. Remove four screws from the spillage plate sides (See figure 30).

3. Remove the spillage plate by lifting it forward.

4. Fit the ceramic side walls against the side faces of the burner compartment.

The bottom edges of the walls should rest in the ledges at the sides of the firebox. Slide them in from the front and ensure that they touch the rear wall. The friction between the side walls and the rear wall should hold the side walls in position (See figure 30)

5. Re-fit the spillage plate. Be careful not to damage the edges of the side walls. The spillage plate will hold the side walls in place.

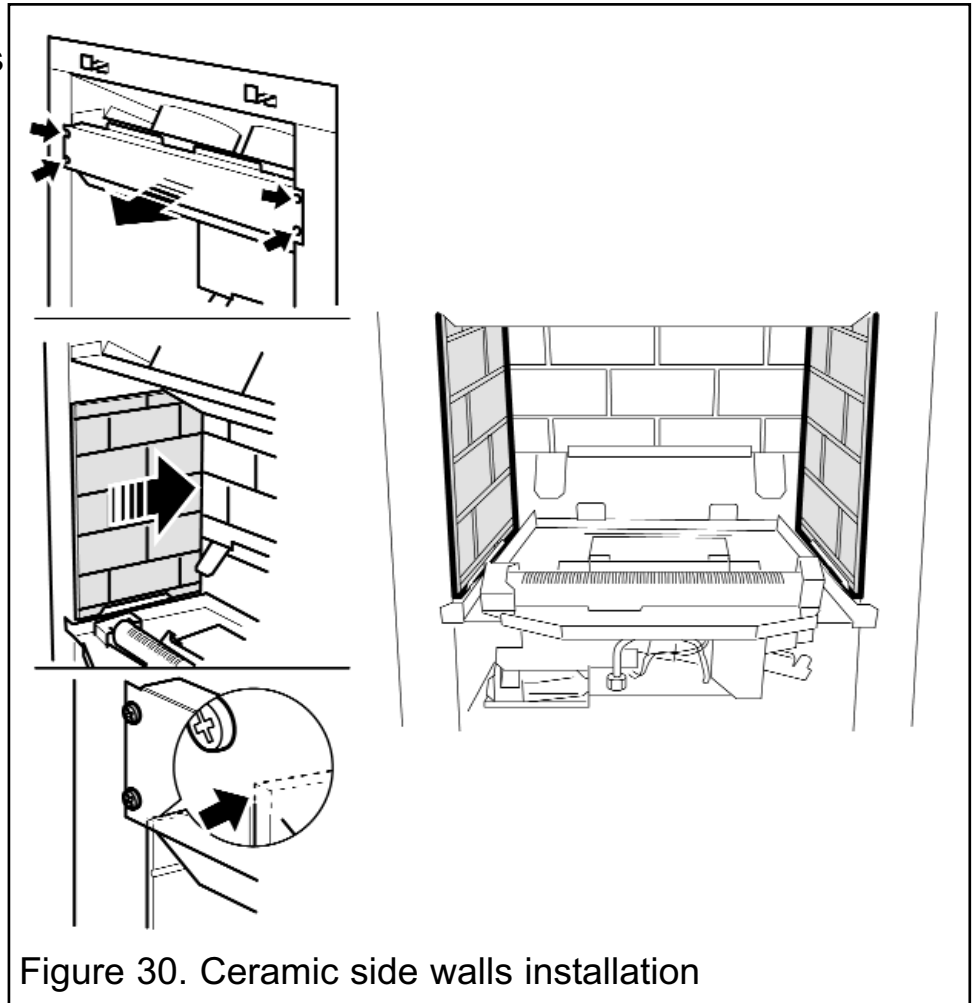


Figure 30. Ceramic side walls installation

12. FASCIA AND CONTROL LINKAGE

Before fitting the fascia ensure that the information on the back pages of the owner guide have been completed.

12.1 Remove the tape securing the control linking bar to the fascia. Slide the control button upwards as far as it will go. Make sure that the bottom of the linking bar is higher than the bottom of the fascia.

12.2 Carefully lift the fascia. **Do not lift it by the control button.**

12.2.1 Adorn fascia.

Place the fascia against the fireplace front surface so that the retaining strip at the back of the fascia is above the two upper retaining brackets at the top of the convection box. Lower the fascia making sure that the rear retaining strip locates fully over the retaining brackets on the convection box (See figure

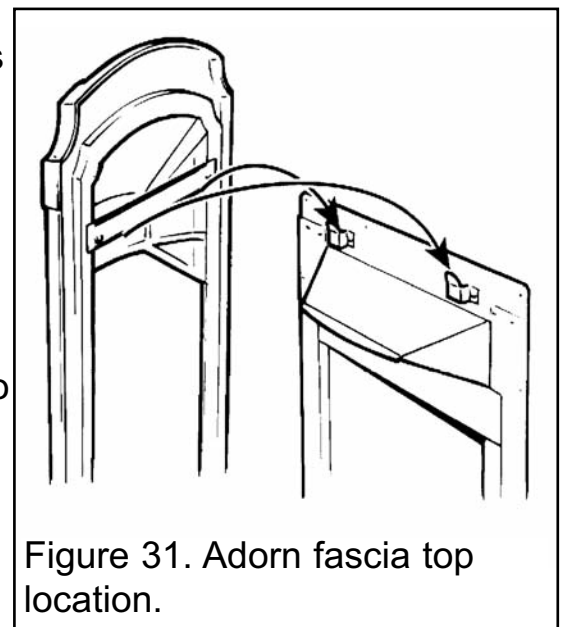


Figure 31. Adorn fascia top location.

INSTALLER GUIDE

31). If the inlet pipe runs along the front of the fireplace, the bottom of the fascia will have to be swung forwards to clear the pipe while lowering the casting.

Swing the bottom control linking bar towards the centre of the fire to clear the front casting. Slide the front casting sideways, if necessary, to align the bottom fixing holes with those in the convection box. Fix the bottom of the casting to the convection box with two screws and washers (See figure 32).

12.2.2 Visage, Decadent, Obsession and Eternal fascia

Place the fascia against the fireplace front surface so that the two retaining plates at the back of the fascia are directly above the two upper retaining brackets at the top of the convection box. Lower the fascia unit making sure that the retaining plates locate fully over the brackets on the convection box (See figure 33).

Swing the bottom control linking bar towards the centre of the fire to clear the right side of the fascia. Slide the fascia unit sideways, if necessary, to align the bottom fixing holes with those in the convection box. Fix the bottom of the fascia to the convection box with two screws (See figure 34).

Eternal and Obsession fascia only.

Supplied with the fire is a self adhesive control position label. Peel the backing from the label and place as in figure 35.

Visage fascia only.

Fit the burner baffle to the front flanges of the burner. To do this, place the baffle against the front flanges of the burner and lower into position. The return edges on the rear of the baffle should slot over the front flanges of the burner (See figure 37).

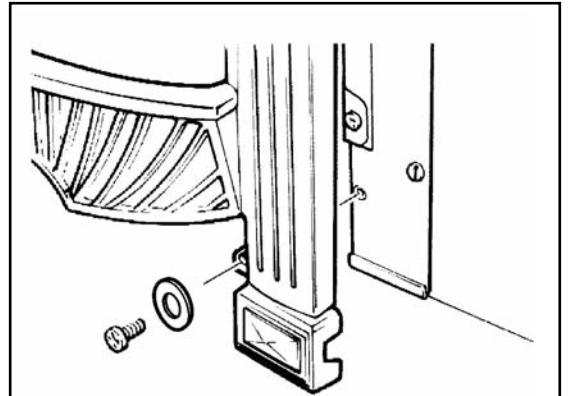


Figure 32. Adorn fascia bottom fixing.

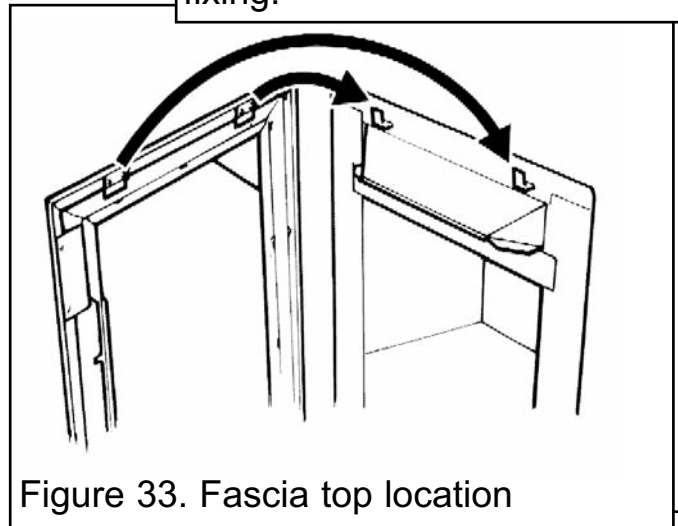


Figure 33. Fascia top location

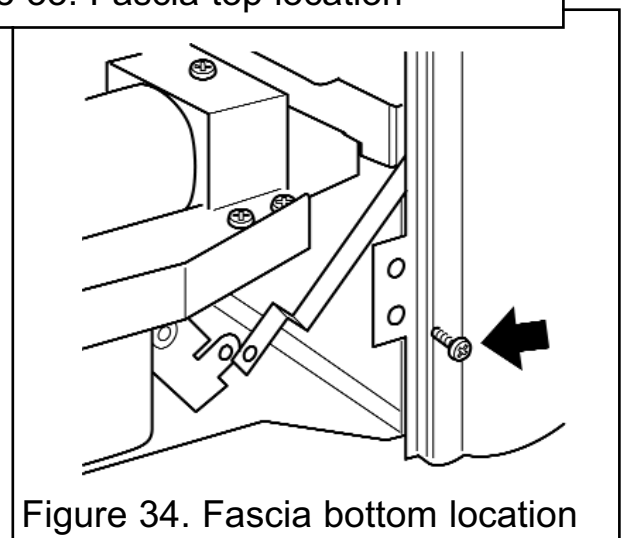


Figure 34. Fascia bottom location

INSTALLER GUIDE

12.2.3 Dream fascia

Place the fascia against the fireplace front surface so that the two retaining plates at the back of the fascia are above the two upper retaining brackets at the top of the convection box. Lower the fascia making sure that the rear retaining plates locate fully into the retaining brackets on the convection box (See figure 35). If the inlet pipe runs along the front of the fireplace, the bottom of the fascia will have to be swung forwards to clear the pipe while lowering the casting.

Swing the bottom control linking bar towards the centre of the fire to clear the fascia. Align the bottom fixing holes with those in the convection box. Fix the bottom of the fascia to the convection box with two screws and washers (See figure 36).

Supplied with the fire is a self adhesive control position label. Peel the backing from the label and place as in figure 35.

Fit the burner baffle to the front flanges of the burner. To do this, place the baffle against the front flanges of the burner and lower into position. The return edges on the rear of the baffle should slot over the front flanges of the burner (See figure 37).

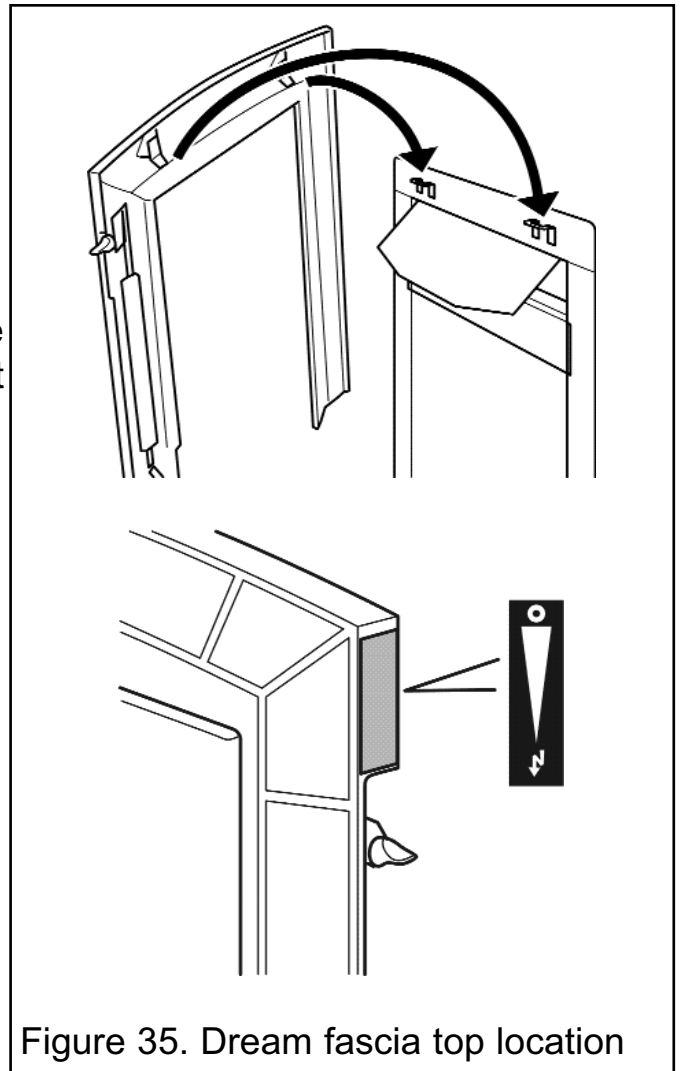


Figure 35. Dream fascia top location

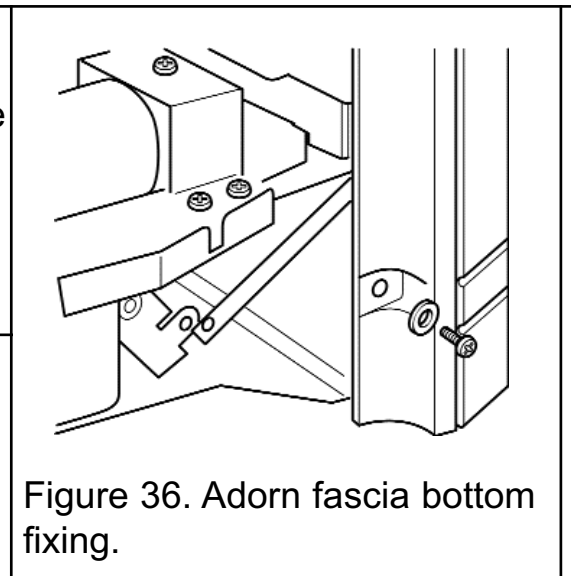


Figure 36. Adorn fascia bottom fixing.

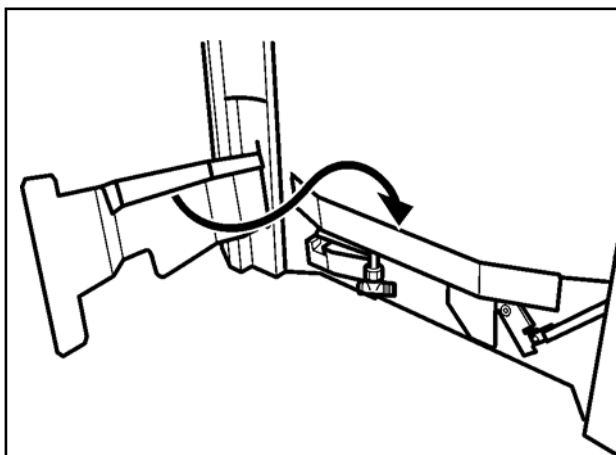


Figure 37. Fitting the burner baffle (Dream and Visage models only)

INSTALLER GUIDE

12.2.4 Icon fascia

Place the fascia against the fireplace front surface so that the two retaining plates at the back of the fascia are directly above the two upper retaining brackets at the top of the convection box. Lower the fascia unit making sure that the ears on the fascia retaining plates locate fully over the sides of the convection box brackets (See figure 38). Swing the bottom control linking bar towards the centre of the fire to clear the right side of the fascia. Fix the bottom of the fascia unit to the convection box with two screws (See figure 39).

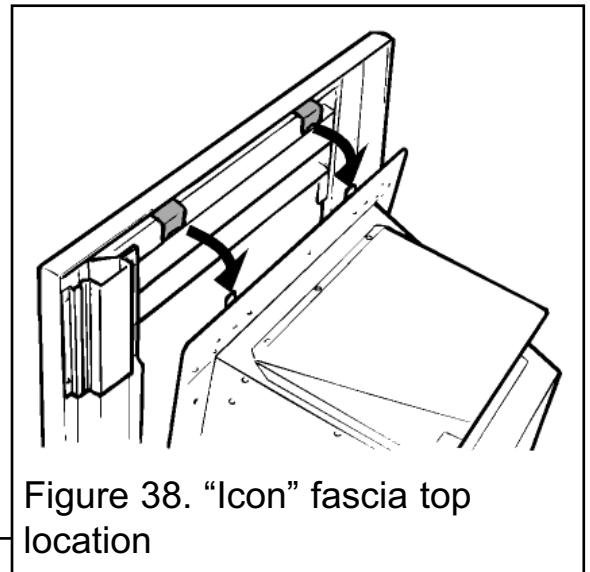


Figure 38. "Icon" fascia top location

12.3 All fascia

Align the hole near the bottom of the control linking bar with that in the control pivot bracket. Join them with the knurled shouldered screw and screwdriver - NOT finger tight only (See figure 40). Make sure that the isolating valve is closed. Slide the control button fully from top to bottom and back to make sure that the slide and pivot mechanisms move smoothly. Note that some resistance should be felt when the slide button reaches the "burner fully on" position.

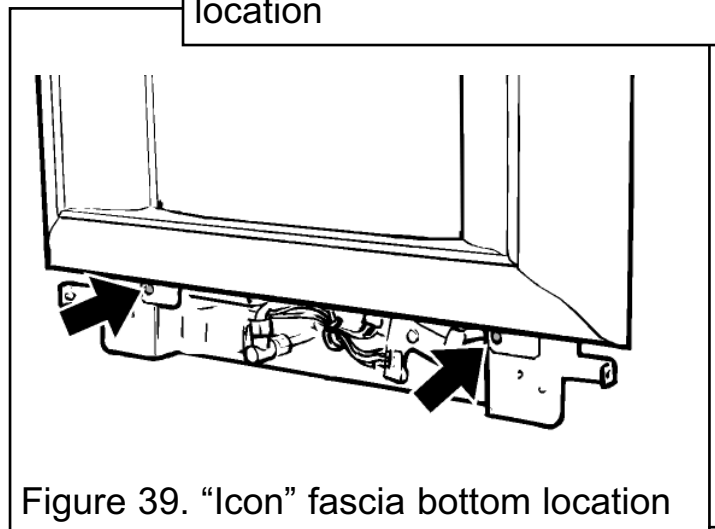


Figure 39. "Icon" fascia bottom location

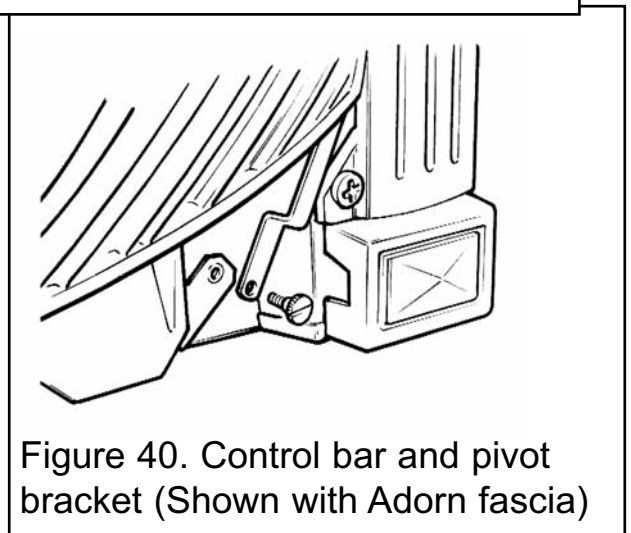


Figure 40. Control bar and pivot bracket (Shown with Adorn fascia)

INSTALLER GUIDE

13. FITTING THE CERAMIC FUEL EFFECT

The installer and owner guide for the ceramic fuel effect is supplied with the ceramic fuel effect. It is important that the fitting guide for the ceramic fuel effect be placed inside or attached to this guide and handed to the customer following completion of the 'Final review' section.

Ensure that the fire is OFF. Open the isolating valve at the inlet 'T' connector and replace the end cap. Light the fire, turn to the maximum output position and test around the sealing screw for gas soundness with a suitable leak detection fluid.

14. FIREFRONT / BOTTOM COVER INSTALLATION

14.1 Adorn bottom front cover.

Place the bottom front cover in position below the fascia bridge.

14.2 Visage, Obsession and Eternal fire front casting.

14.2.1 Fit the fire front casting to the fascia. Locate the two screw heads at the rear top corners of the firefront casting through the keyhole slots at the inner sides of the fascia. If the screw heads do not project enough or project too far, the screws can be adjusted. Lower the casting so that it rests on the hearth (See figure 41).

14.2.2 (Obsession and Eternal only) Place the bottom front cover casting in position below the fire front casting.

14.3 Icon bottom front cover.

Locate the top flanges of the bottom front cover behind the bottom edge of the fascia. Fix the sides of the cover to the fascia bottom corner brackets with the two knurled screws provided (See figure 42).

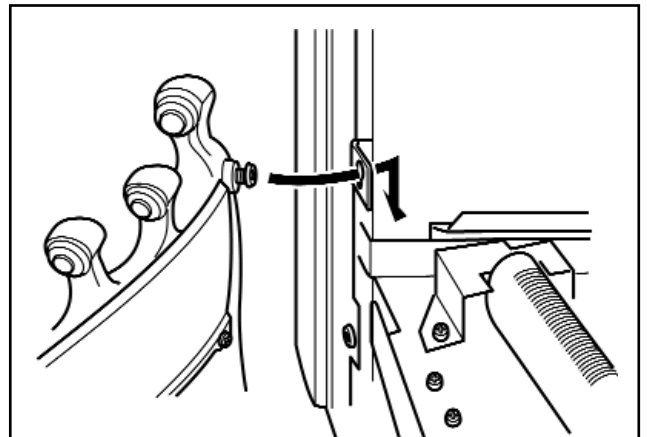


Figure 41. Firefront casting (Casting may differ from that shown).

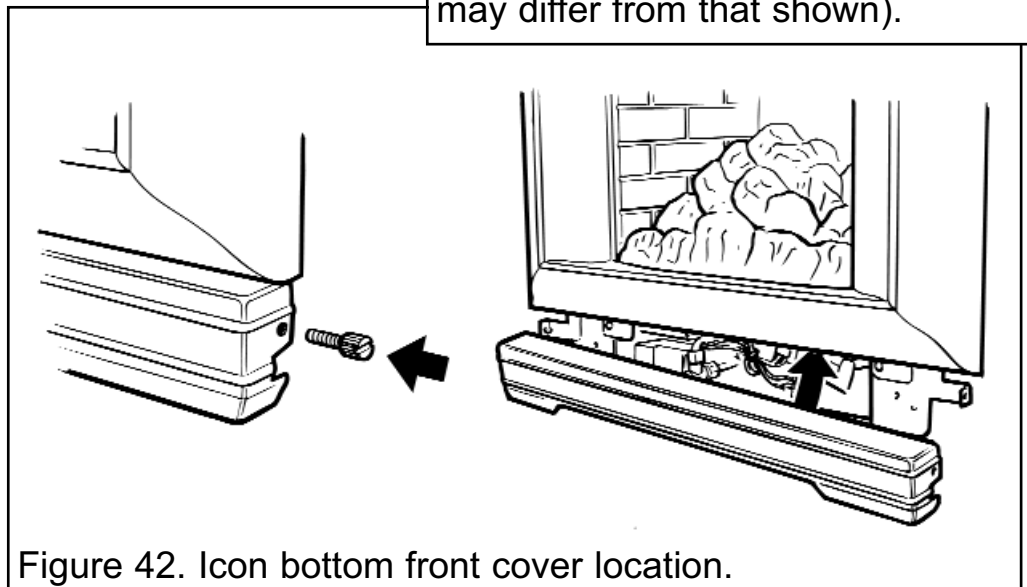


Figure 42. Icon bottom front cover location.

INSTALLER GUIDE

14.4 Dream fascia.

14.4.1. Place the firefront casting centrally on top of the hearth in front of the fascia.

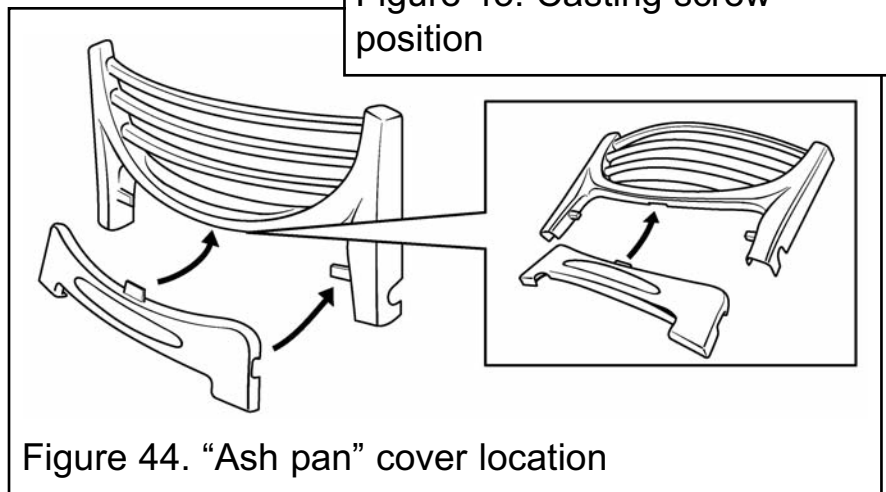
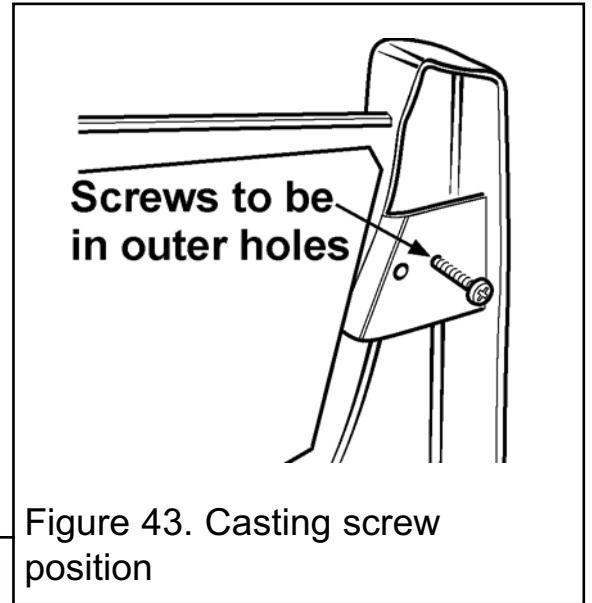
14.4.2. Place the bottom front cover casting in position.

14.5 Decadent fascia.

14.5.1 Check that the two screws in the back of the fire front casting are in the outer threaded holes. If they are in the inner holes, relocate them (See figure 43).

14.5.2 Locate the two screw heads through the keyhole slots at the inner sides of the surround. If the screw heads do not project enough or project too far, the screws can be adjusted. Lower the casting so that it rests on the hearth (See figure 41).

14.5.3 Fit the "ash pan" cover below the front casting locating it as shown in figure 44.



15. FULL OPERATING CHECKS

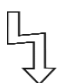
15.1 Checking the control settings.

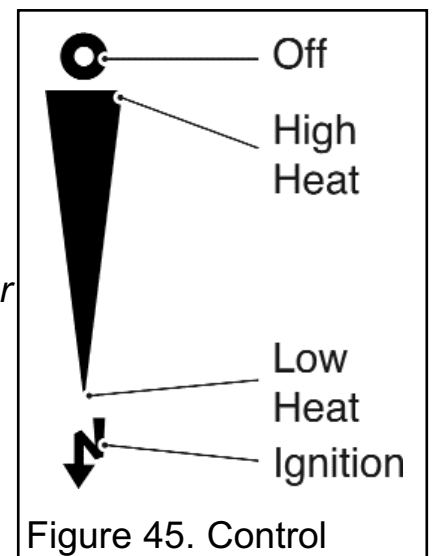
The control position markings on the fascia are shown in figure 45.

Please note:

- When first turned on from cold, the flames will appear predominantly blue.
- When operating the fire for the first time, some vapours may be given off which could set off smoke alarms in the vicinity. These vapours are quite normal with new appliances. They are totally harmless and will disappear after a few hours use.

1. Make sure the slider button is at the off position (At topmost position marked "O" on the fascia).
2. Slide the button to the bottom (ignition) position marked

 Retain in this position to ignite the pilot. The burner should ignite at its lowest setting within 4 seconds of the pilot igniting. Keep at this



INSTALLER GUIDE

position for a further 10 seconds to allow the pilot flame to stabilise.

3. Release the button. The button should automatically spring up to the low heat position. If for any reason the slider control does not spring up, raise the slider to the topmost (Off) position and investigate why the slider is not operating correctly. If the flames go out at this stage or when checking the rest of the setting positions, try the full lighting sequence again. If the flames fail after two attempts, investigate the pilot unit.

4. Gradually slide the button up to increase the burner setting. The burner should be at its maximum setting at the high heat position shown in figure 45. You should feel a check to the button movement at this position.

5. Slide the control button up past the high heat position to the off ("O") position at the top of the slide slot. Both pilot and main burner should go out. While cooling the ceramic fuel effect may make some crackling noises. This is quite normal.

15.2 Check for spillage.

A spillage check must be made before leaving the installed appliance with the customer. Make this with all the ceramic fuel effect pieces and complete fascia and firefront in position.

1. Close all doors and windows in the room containing the appliance.
2. Light the appliance and set the slide control to the maximum burning position.
3. Leave the appliance on for five minutes.
4. The smoke match should be placed horizontally into the convection box at the right hand side. There is a notch in the black cross member. Insert the tube so that the neck of its flared end is 5mm passed and in contact the cross member (See figure 46).

The installation is satisfactory if the smoke is drawn into the appliance.

If the smoke is not drawn into the appliance leave the appliance alight at the maximum setting for a further ten

minutes and then repeat the test. If the smoke is still not drawn into the appliance inspect the sealing to the fireplace surround. If the sealing is satisfactory but the appliance is installed with the flue restrictor (See section 8 point 8) remove the restrictor, reseal the appliance and retest. If smoke is still not drawn into the appliance **disconnect the appliance and seek expert advice.**

5. If the above test is satisfactory open all internal connecting doors, hatches, etc. in the room. Keep all doors and windows that open to the outside of the

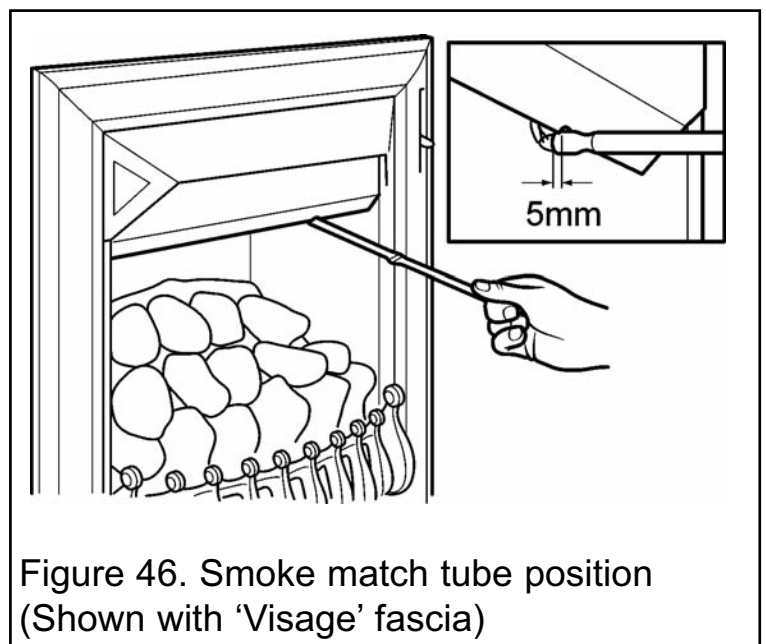


Figure 46. Smoke match tube position (Shown with 'Visage' fascia)

INSTALLER GUIDE

building closed. Recheck for spillage as above. If an extractor fan is installed in the same room as the appliance or a connecting room, check that spillage does not occur with the fan operating and all doors and other openings between the fan and the appliance open.

If the smoke is drawn into the appliance, continue with the installation. If the test is not satisfactory **disconnect the appliance and advise the customer of the cause of failure.**

15.3 Flame supervision and spillage monitoring system.

This pilot unit includes a system that will automatically shut off the gas supply if the pilot flame goes out or if there is insufficient oxygen due to spillage or poor ventilation. Check that the system operates properly as follows;

1. Light the appliance. Set the slide control to the maximum burning position and leave for one minute.
2. Set the control to the 'Low' burning position. Isolate the gas supply at the inlet 'T' connector. The pilot and main burner will go out. **Note the time when the pilot goes out.** Listen for a snap sound at the gas tap. **Note the time when the sound is heard.** This sound is caused by an electromagnetic valve shutting off the gas supply through the tap. The valve is located in the body of the tap. The valve should operate **within 60 seconds of the pilot going out.** If the valve does not operate within this time limit do not allow the appliance to be used until the fault has been corrected. **This monitoring system must not be adjusted, bypassed or put out of operation.**

This monitoring system, or any of its parts, must only be exchanged using authorised parts.

3. Open the isolating valve on the inlet 'T' connector. Screw on the end cap and test for leaks.
4. Set the slider to the "Off" position.

INSTALLER GUIDE

16. FINAL REVIEW

- 1. COMPLETE THE INFORMATION IN THE WARRANTY AND SERVICE SECTION OF THE OWNER GUIDE (See last pages of the OWNER guide).**
2. If a gap is visible between the inner sides of the fascia and the ceramic side walls, gently slide the walls forward.
3. Visually inspect the appliance. Clean off any marks incurred during installation.
4. Advise the customer how to operate the appliance. Point out that lighting instruction details are on the metal plate attached at the bottom of the appliance. Explain to the customer that the appliance has a flame failure & spillage monitoring system. Point out the explanation of this system shown in the owner guide under "Operating the fire". Advise that if the fire goes out for any reason, wait at least three minutes before relighting. Stress that if the monitoring system repeatedly shuts off the fire, the appliance should be switched off and a specialist should be consulted.
5. Advise the customer that they should read their owner guide before operating the fire and always follow the advice in the section headed "Cleaning your fire".
- 6. Stress that no extra ceramic fuel effect pieces must be added over and above those supplied with the appliance and that any replacements must only be the authorised spares. Warn that ignoring this advice could cause incomplete clearance of the products of combustion with consequent health hazards.**
7. Advise the customer that the appliance will operate to its maximum potential if the flue is primed during the first 20 – 30 minutes of use. To do this, simply slide the control to its highest setting. This will also burn off any carbon deposits that may have formed during previous use.
If using the appliance for long periods it is beneficial to change between settings. This will also help to remove any carbon deposits that may form during use.
8. Recommend that the appliance should be serviced by a competent person at least annually.
9. If the appliance is in premises in the United Kingdom occupied by a tenant, point out that by law a landlord must have any gas appliance, flue and pipework which is situated in a tenant's premises checked for safety at least every 12 months.
10. Advise that the fire may give off a slight odour while new. This is quite normal and it will disappear after a short period of use.
- 11. Inform the customer that the Serial number for the appliance is located on the information label / swing plate, located behind the lower firefront casting / bottom front cover and underneath the burner module.**
12. Hand the literature pack with this guide to the customer.

17. SERVICING & PARTS REPLACEMENT

- Always turn off the gas supply and allow the fire to cool completely before commencing any servicing (The appliance inlet 'T' connector incorporates an isolating valve).
- It is recommended that, at least once a year, the appliance is disconnected and the fireplace opening checked and cleared of any debris.
- This product uses fuel effect pieces and burner compartment walls containing Refractory Ceramic Fibres (RCF), which are man-made vitreous silicate fibres. Excessive exposure to these materials may cause irritation to eyes, skin and respiratory tract. Consequently, it is important to take care when handling these articles to ensure that the release of dust is kept to a minimum. To ensure that the release of fibres from these RCF articles is kept to a minimum, during installation and servicing we recommend that you use a HEPA filtered vacuum to remove any dust and soot accumulated in and around the fire before and after working on the fire. When replacing these articles we recommend that the replaced items are not broken up, but are sealed within a heavy duty polythene bag, clearly labelled as RCF waste. RCF waste is classed as a stable, non-reactive hazardous waste and may be disposed at a landfill licenced to accept such waste. Protective clothing is not required when handling these articles, but we recommend the use of suitable gloves to prevent irritation. We also recommend you follow the normal hygiene rules of not smoking, eating or drinking in the work area and always wash your hands before eating or drinking.
- This appliance does not contain any component manufactured from asbestos or asbestos related products.

- Check that the appliance is clean and that soot or debris is not blocking the gaps between the ceramic fuel effect pieces causing an imperfect flame.
- Check that soot or debris is not impairing the electrode spark or pilot burner.
- Check that soot or debris is not blocking any of the slots in the main burner.
- After servicing, make sure that the ceramic walls are replaced as described in this guide and the ceramic fuel effect pieces are replaced correctly as described in the installer and owner guide supplied with the ceramic fuel effect. The ceramic fuel effect guide may have been placed inside or attached to this guide.
- **Always test for gas soundness and spillage after servicing the appliance.**

INSTALLER GUIDE

17.1 Checking the aeration setting of the burner.

1. The aeration shutter is factory set and should not require adjustment. If the shutter is not as shown in figure 47 and requires adjustment, loosen the two aeration shutter screws, slide the aeration shutter to the position shown in figure 47 and tighten the fixing screws.

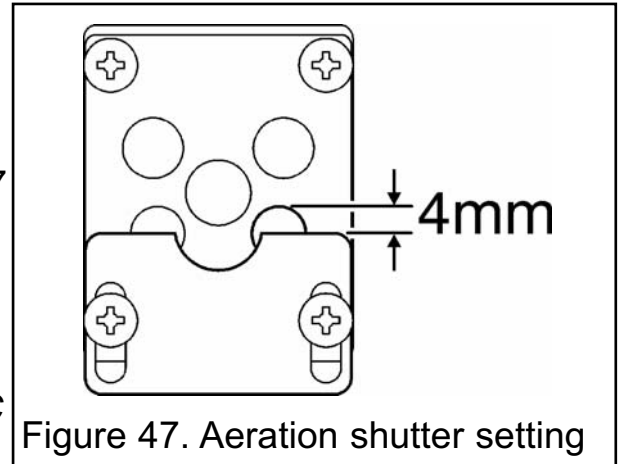


Figure 47. Aeration shutter setting

17.2 To remove the ignition microswitch.

See figures 48 & 49.

The ignition microswitch is stamped V4NT9C4YC

1. Remove the bottom front cover and the fire front casting.

2. Disconnect the leads from the ignition microswitch (The lower of the two microswitches - See figure 48).

3. Detach the microswitch and insulation pad by removing two screws.

4. Replace in the reverse order. Check that the microswitch operates correctly by fully closing it and observing that there are sparks at the pilot electrode.

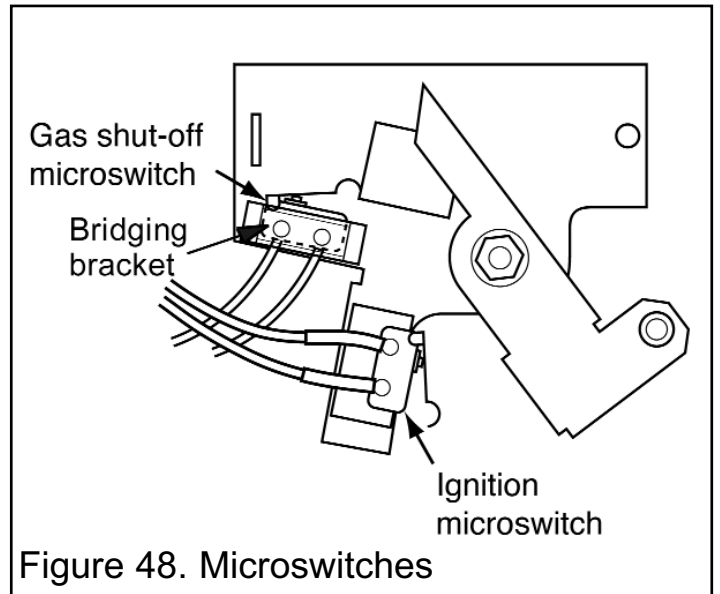


Figure 48. Microswitches

17.3 To remove the gas shut-off microswitch.

(See figures 48 & 49).

The gas shut-off microswitch is stamped V4NT9C2YCGPX or V4NT9C2YCAUX.

1. Remove the bottom front cover and the fire front.

2. Loosen the thermocouple nut to free the microswitch leads and pull the leads clear of the thermocouple interrupter block (See figure 49).

3. Detach the bridging bracket, microswitch assembly by removing two screws (See figure 48).

4. Replace in the reverse order. When refitting the leads to the interrupter block, make sure that they are secured firmly to give a good electrical contact.

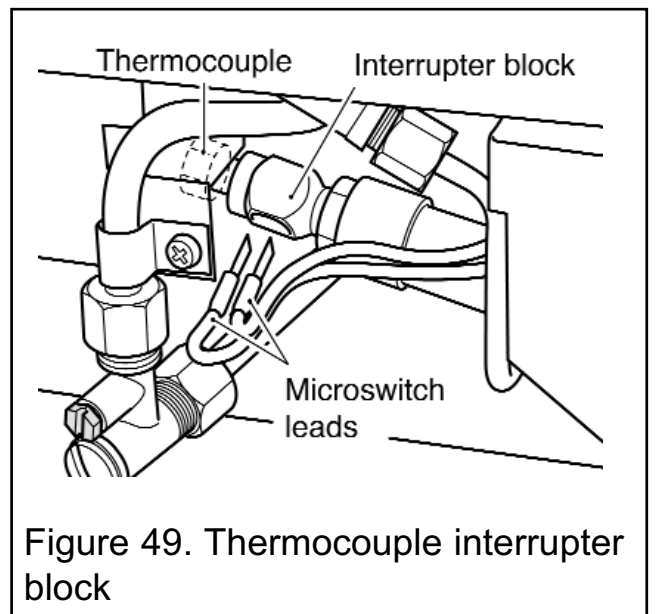


Figure 49. Thermocouple interrupter block

INSTALLER GUIDE

17.4 To remove the fascia.

1. Remove the bottom front cover / fire front casting.
2. Detach the control-linking bar from the control pivot bracket by removing the knurled screw, which joins the control linking bar to the control pivot unit (See figure 50).
3. Remove the two screws securing the bottom of the fascia to the sides of the convection box (See figure 51).
4. **Make sure that the control linking bar has been detached (See 2 above).** Carefully lift the fascia upward to clear the upper retaining brackets on the convection box (See figure 52). Pull the fascia clear and place carefully aside.
5. Refit in the reverse order. Make sure that the fascia is properly located over the upper retaining brackets. See section 12 of this guide for detailed fitting instructions.

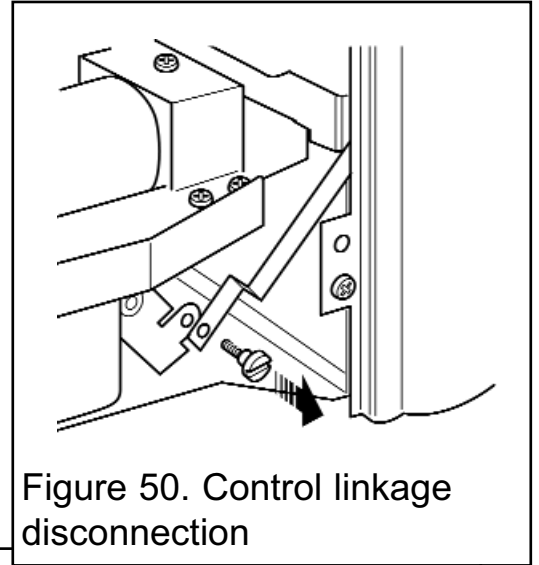


Figure 50. Control linkage disconnection

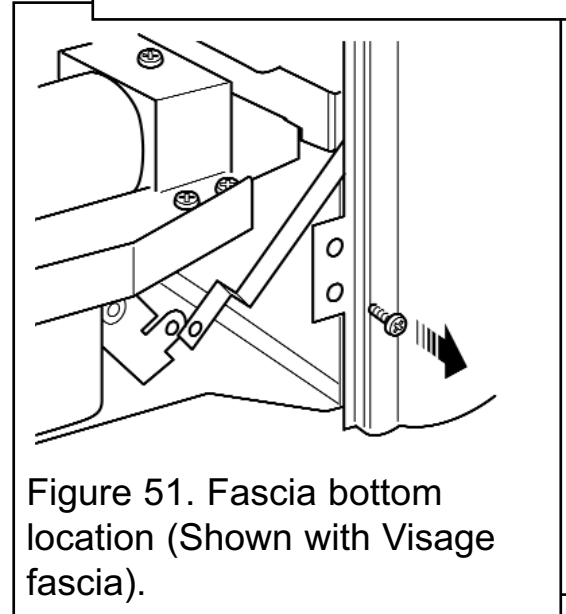


Figure 51. Fascia bottom location (Shown with Visage fascia).

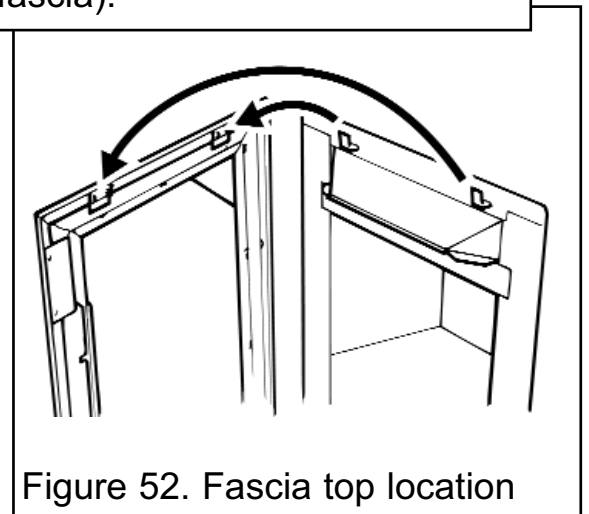


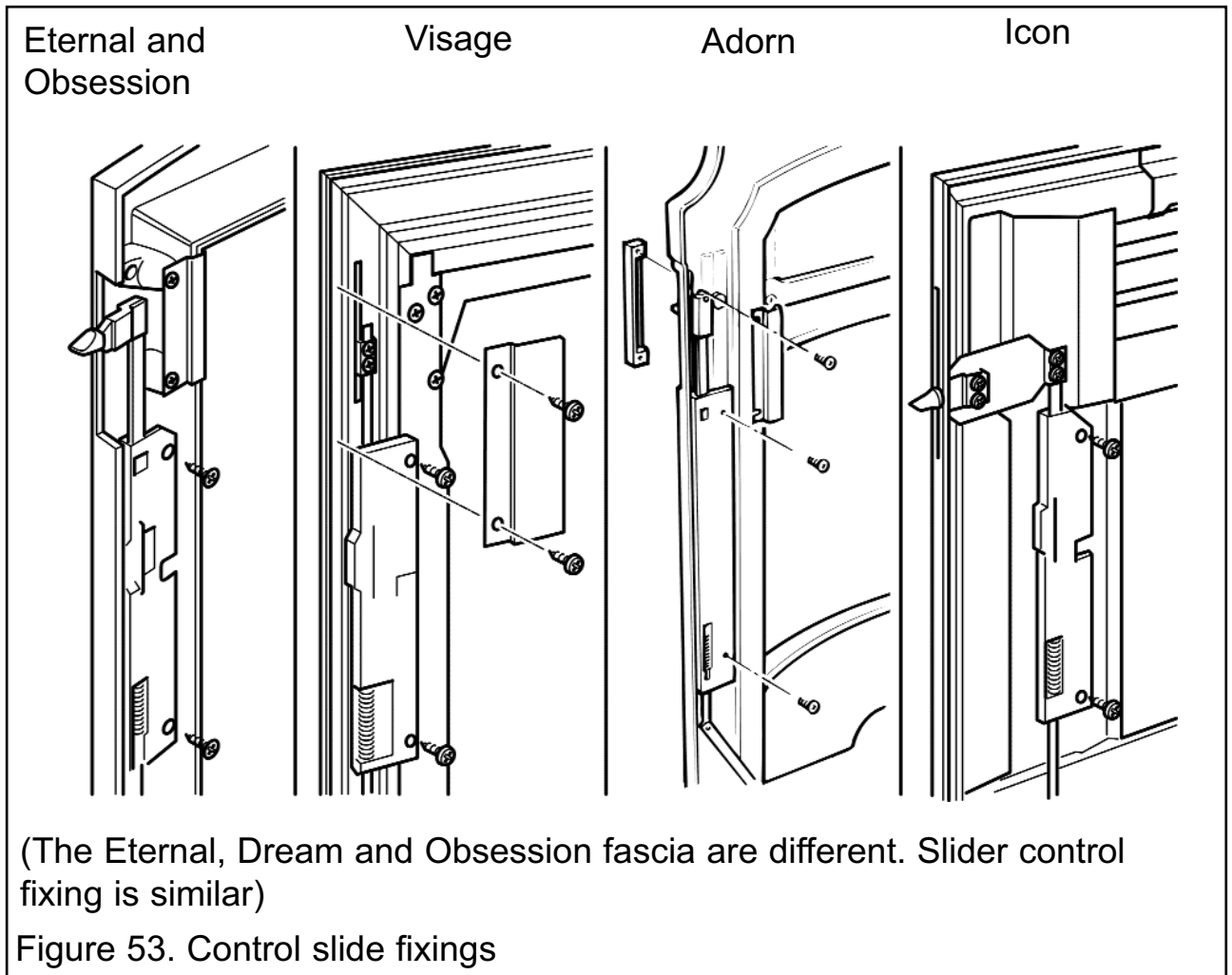
Figure 52. Fascia top location

INSTALLER GUIDE

17.5 To replace the control slide unit.

Icon, Eternal and Obsession models.

1. Remove the fascia (See section 17.4).
2. Detach the slide unit by removing two screws securing the plastic slide mechanism to the rear of the fascia (See figure 53).
3. Replace in the reverse order.



Dream model

1. Remove the fascia (See section 17.4).
2. Detach the slide unit by removing two screws securing the plastic slide mechanism to the convector box.
3. Replace in the reverse order.

Visage model

1. Remove the fascia (See section 17.4).
2. Detach the rear baffle
3. Detach the slide unit by removing two screws securing the plastic slide mechanism to the rear of the fascia (See figure 53).
4. Replace in the reverse order.

INSTALLER GUIDE

Adorn model

1. Remove the fascia (See section 17.4).
2. Detach the rear bezel baffle and bezel by removing the two screws on the bezel baffle.
3. Detach the slide unit by removing two screws securing the plastic slide mechanism to the rear of the fascia (See figure 53).
4. Replace in the reverse order.

Decadent model

1. Remove the fascia (See section 17.4).
2. Detach the slide unit by removing two screws securing the plastic slide mechanism to the rear of the fascia – See figure 54.
3. Replace in the reverse order.

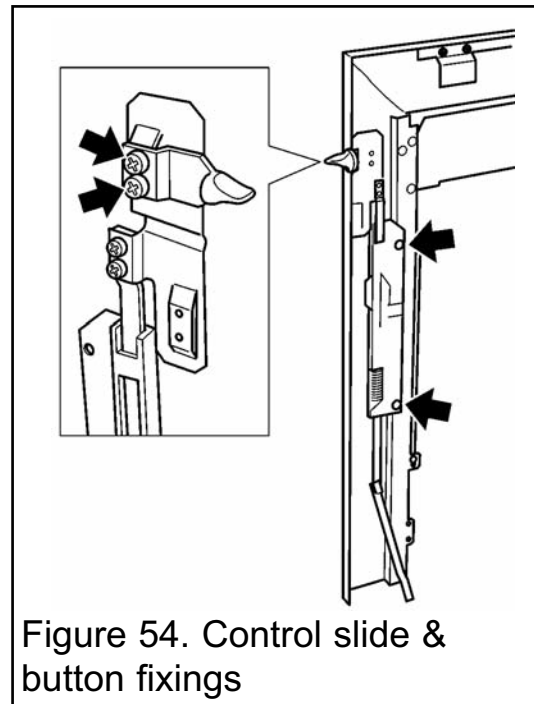


Figure 54. Control slide & button fixings

17.6 To replace the control slide button.

Visage, Decadent, Eternal, Dream, Obsession and Icon models

1. Remove the fascia (See section 17.4).
2. Remove the control slide unit as in section 17.5.
3. Detach the slide button by removing two screws (See figure 54).
4. Replace in the reverse order.

Adorn model

The control slide button is not replaceable as a separate item, only as a complete control slide unit.

17.7 To remove the complete burner unit.

1. Remove the bottom front, fire front castings and the fascia (See section 17.4).
2. Remove the ceramic fuel effect.
3. Close the isolating valve in the inlet 'T' connector. Support the inlet 'T' connector to avoid straining the pipework and disconnect the appliance from the 'T' connector.
4. Detach the burner unit from the convection box by removing two screws (See figure 55).
5. Replace in the reverse order.

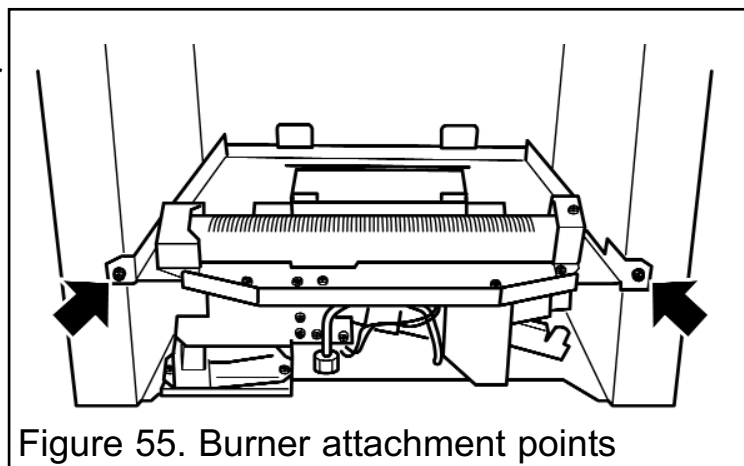


Figure 55. Burner attachment points

INSTALLER GUIDE

17.8 To remove the electronic ignition generator.

1. Remove the bottom front and fire front castings. For 'Adorn' and 'Icon' models remove the fascia (See section 17.4).
2. Remove the ceramic fuel effect.
3. Remove the battery.
4. Remove the spark lead.
5. Unscrew the four support bracket screws (See figure 56). The generator and its support bracket can now be moved forward. Be careful not to apply tension to the microswitch leads.
6. Remove the two fixing screws that attach the generator unit to the support bracket. The igniter generator can now be removed (See figure 56)
7. Remove the two leads to the switch and remove the spark lead. If necessary, mark them to ensure that they are replaced on to the correct terminals.
8. Replace the generator
9. Refit in the reverse order.

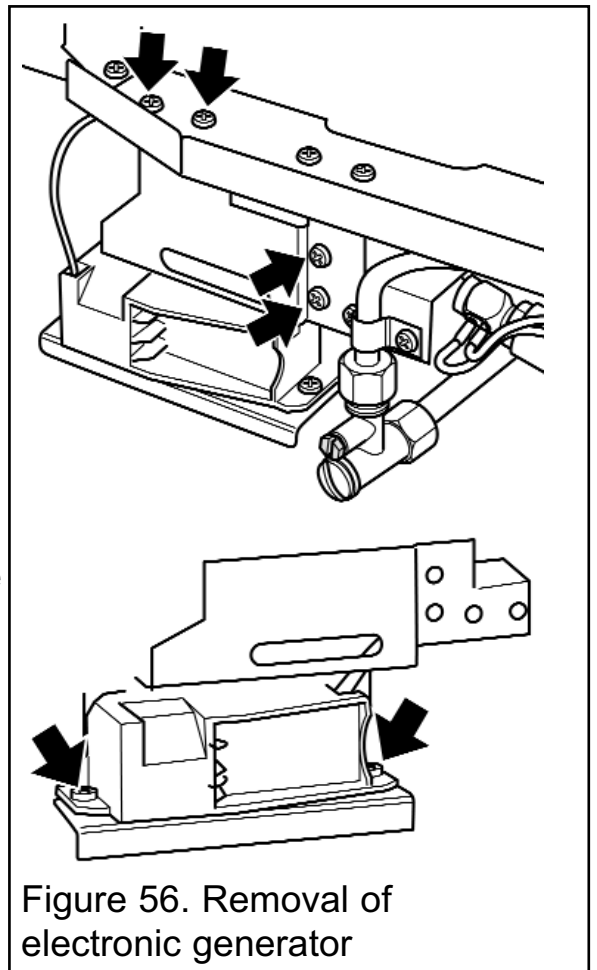


Figure 56. Removal of electronic generator

17.9 To remove the thermocouple interrupter block.

(See figure 49).

1. Remove the burner unit (See section 17.7).
2. Detach the thermocouple from the interrupter block by unscrewing the thermocouple nut.
3. Detach the two microswitch leads from the interrupter block.
4. Remove the interrupter block by unscrewing from the gas shut-off tap.
5. Refit in the reverse order. If the microswitch leads cannot be easily attached to the interrupter block when it is fully tightened to the gas shut-off tap, slacken it and rotate to allow the leads to be fitted. Retighten making sure that the leads remain in place in the interrupter block. Fit and tighten the thermocouple nut making sure that the leads are secured in the interrupter block to give a good electrical contact.

INSTALLER GUIDE

17.10 To remove the pilot unit.

1. Remove the burner unit (See section 17.7).
2. Detach the pilot pipe from the pilot unit.
3. Detach the thermocouple from the interrupter block by unscrewing the thermocouple nut.
4. Detach the electrode lead from the underside of the electrode tab.
6. Remove the two screws securing the pilot unit (See figure 57).
7. Refit in the reverse order.

Note: 1. The pilot unit is an atmosphere sensing device. It must be replaced as a whole assembly. Its individual components are not separately replaceable.

2. When the thermocouple is removed from the interrupter block, the microswitch lead terminals in the interrupter block will be loose. Make sure that they are properly secured to give a good electrical contact when retightening the thermocouple nut.

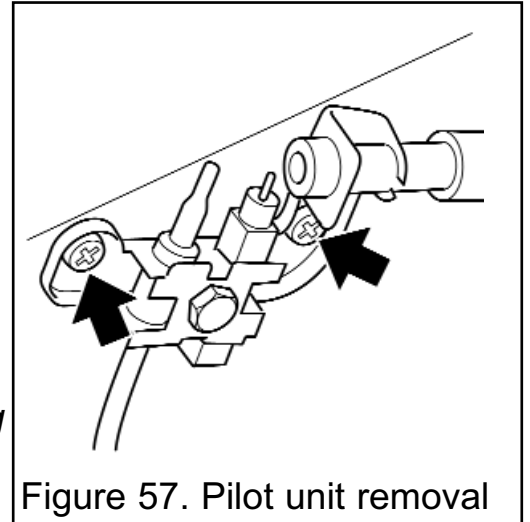


Figure 57. Pilot unit removal

17.11 To remove the shut-off tap.

(See figure 58).

1. Remove the burner unit (See section 17.7).
2. If lying the burner on its back, ensure that the work surface is suitably protected. This will avoid damage to the work surface. Turn the burner unit upside down. Detach the thermocouple and interrupter block from the tap (See section 17.9 paragraphs 2 - 4).
3. Detach the pilot pipe from the tap.
4. Detach the inlet pipe.
5. Remove the hexagonal nut securing the tap to the mounting bracket.
6. Detach the elbow by unfastening the hexagonal nut connecting it to the flow rate controller. Lift the tap (complete with elbow) clear.

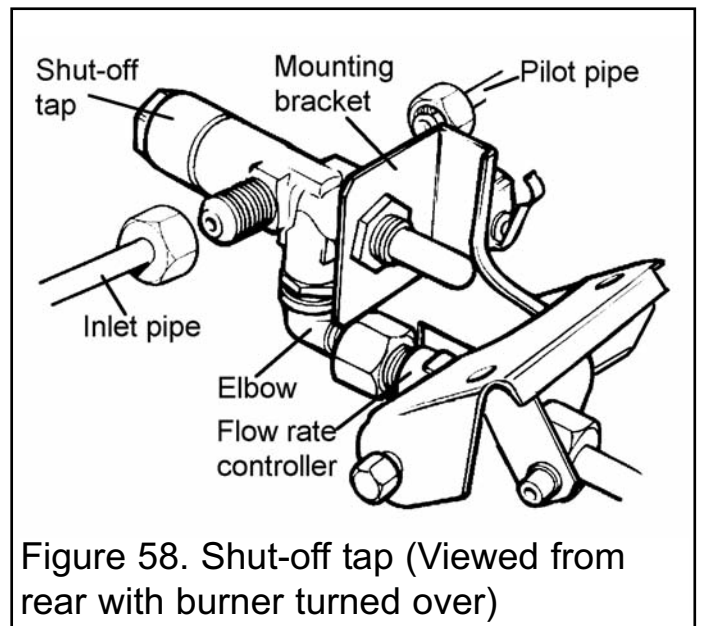


Figure 58. Shut-off tap (Viewed from rear with burner turned over)

7. Loosen the hexagonal locknut securing the elbow to the tap. Remove the elbow by rotating it.
8. If fitting a new tap, remove the hexagonal nut at the mounting bracket end of the old tap and fit to the replacement tap. Refit in the reverse order. When refitting, make sure that the tap spindle is in the correct relationship relative to the control pivot bracket. Rotate the pivot bracket fully clockwise. The tap spindle should “bottom out” (i.e. the tap should be fully open) after the pivot bracket has actuated the ignition

INSTALLER GUIDE

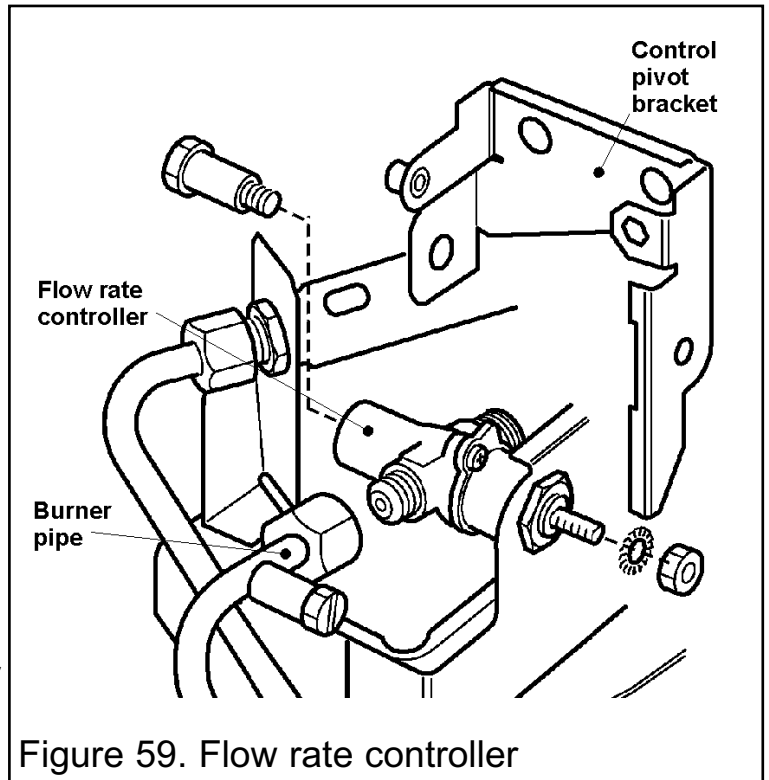
microswitch but before it has pushed the microswitch leaf against the microswitch body.

When refitting the thermocouple and interrupter block, make sure that the microswitch wires are properly secured to give a good electrical contact.

17.12 To remove the gas flow rate controller.

(See figure 59).

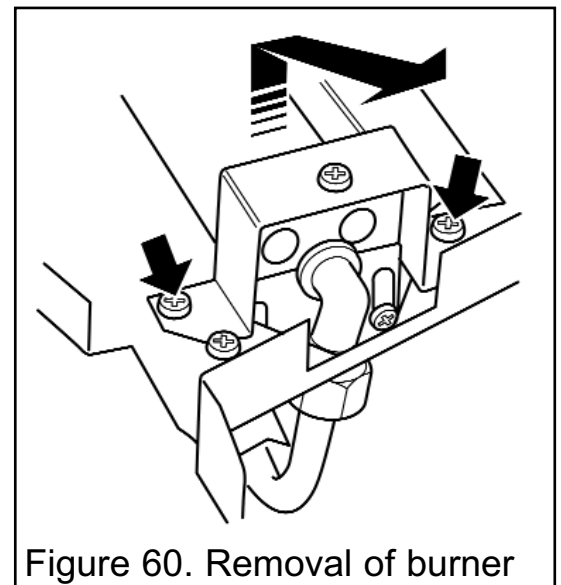
1. Remove the burner unit (See section 17.7).
2. If lying the burner on its back, ensure that the work surface is suitably protected. This will avoid damage to the work surface.
3. Detach the microswitch cover (See section 17.2 paragraph 2).
4. Detach the shut-off tap as detailed in section 17.11 paragraphs 2-6.
5. Detach the burner pipe from the controller. Support the controller while detaching to prevent excessive strain.
6. Remove the nut and washer securing the control pivot bracket to the controller at the front. Support the pivot bracket while removing the nut to prevent possible damage to the microswitch.
7. Remove the hexagonal bolt securing the control pivot bracket to the controller at the rear.
8. Detach the control pivot bracket.
9. Remove the hexagonal nut securing the controller to the front mounting bracket and remove the flow rate controller.
10. Refit in the reverse order.



17.13 To replace the burner.

(See figure 60).

1. Remove the burner unit (See section 17.7).
2. Support the elbow injector and unscrew the injector nut.
3. Remove the two screws from the burner clamping plate (See figure 60)
4. Lift the right hand side of the burner, slide it to the right and lift clear
5. Refit in reverse order.



INSTALLER GUIDE

17.14 To remove the main burner injector.

(See figure 61).

1. Remove the burner (See section 17.13).
2. Remove the burner clamping screw (See figure 61)
3. Unscrew the injector from the burner
4. Refit in the reverse order.

17.15 To remove the appliance from the fireplace.

1. Remove the burner unit (See section 17.7).
2. If the fire retention is as method 1 (See section 9.1 of this guide), remove the screws.
If the fire retention is as method 2 (See section 9.2 of this guide), slacken the hexagonal adjusters on the cable retainers and unscrew the thumbscrews to release the cables.
3. Refit as described in the relevant installation sections. Make sure gas soundness, sealing, spillage test and performance are satisfactory.

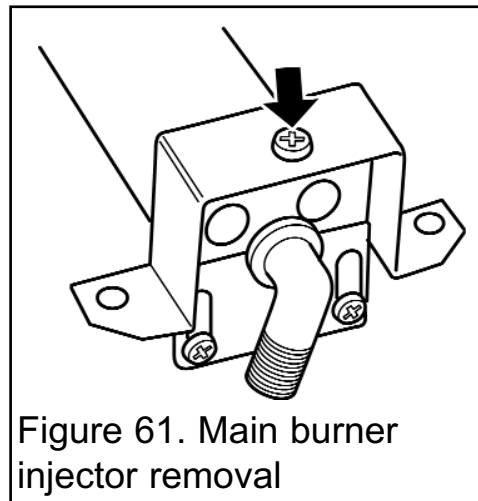


Figure 61. Main burner injector removal

OWNER GUIDE

FOR WARRANTY AND SERVICE INFORMATION
SEE PAGES 63 TO 67

OWNER GUIDE

LIST OF CONTENTS

| <u>Section</u> | <u>Page</u> |
|--|----------------|
| SAFETY | 53 |
| GAS CONSUMPTION | 55 |
| APPLIANCE DIMENSIONS AND CLEARANCES | 56 |
| OPERATING YOUR FIRE | 58 |
| The Oxysafe flame sensing and flue blockage safety system. | 58 |
| To light the fire. | 58 |
| To turn the fire off. | 59 |
| Lighting with a taper. | 59 |
| CLEANING YOUR FIRE | 60 |
| Metal parts. | 60 |
| Ceramic fuel effect pieces and burner compartment walls. | 60 |
| Burner. | 60 |
| CERAMIC FUEL EFFECT FITTING | 61 |
| MAINTENANCE | 61 |
| Battery replacement. | 61 |
| Regular maintenance. | 62 |
| Replacement ceramics. | 62 |
| WARRANTY AND SERVICE | 63 - 67 |

This gas fire is designed to meet the most stringent quality, performance and safety requirements to provide you with many years' trouble-free service.

This guide aims to improve your understanding and appreciation of your gas fire by providing simple and informative instructions to ensure that you benefit from the excellent performance and features it has to offer.

OWNER GUIDE

SAFETY

Do have the fire installed by a competent person. In the United Kingdom, installation must be in accordance with the latest edition of the Gas Safety (installation & use) Regulations. In the Republic of Ireland, installation must be in accordance with all national and local regulations in force.

Do have the chimney swept prior to installation if it was previously used for solid fuel.

Do have the fire installed in accordance with the installer guide.

Do provide a suitable guard that complies with BS 8423 for the protection of young children, the elderly, the infirm and pet animals (Although this fire conforms to all the applicable standards, it is a heating appliance and certain parts of its surface will become hot).

Do wait three minutes before attempting to relight if the fire is switched off or the flames are extinguished for any reason. (Your fire is fitted with a safety device that will automatically shut off the gas supply to the fire if, for any reason, the flames go out).

Do get advice about the suitability of any wall covering near your fire. Soft wall coverings (e.g. embossed vinyl, etc.) which have a raised pattern are easily affected by heat. They may, therefore, scorch or become discoloured when close to a heating appliance. Please bear this in mind whenever you are considering redecorating.

Do provide a minimum side clearance as detailed in the following section "Appliance dimensions and clearances". Please bear this in mind if ever you are considering altering the room.

Do provide a minimum clearance as shown in figure 1 (Adorn) or figure 2 (Visage, Dream, Eternal, Decadent, Obsession and Icon) above the base of the fireplace opening to any shelf made of wood or other combustible material. Please bear this in mind if you are making any alterations to the room.

OWNER GUIDE

ADORN MODEL ONLY

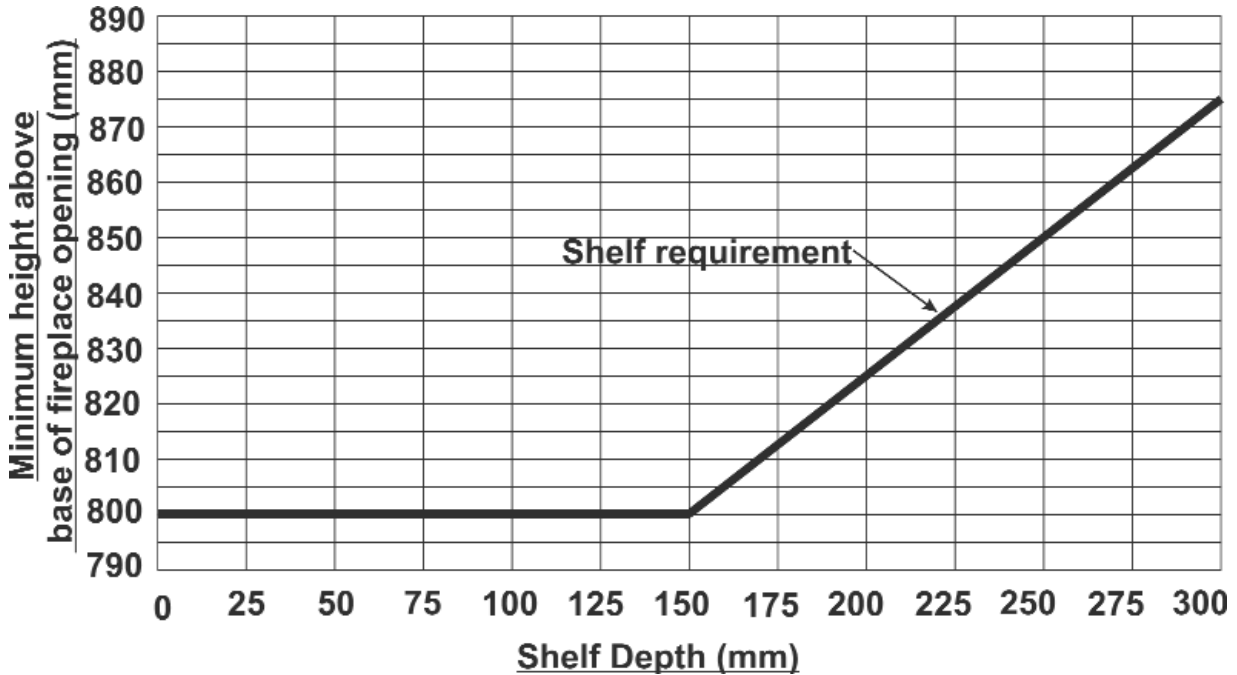


Figure 1. Combustible shelf clearances for ADORN model only

VISAGE, DREAM, ETERNAL, DECADENT, OBSESSION AND ICON MODELS ONLY

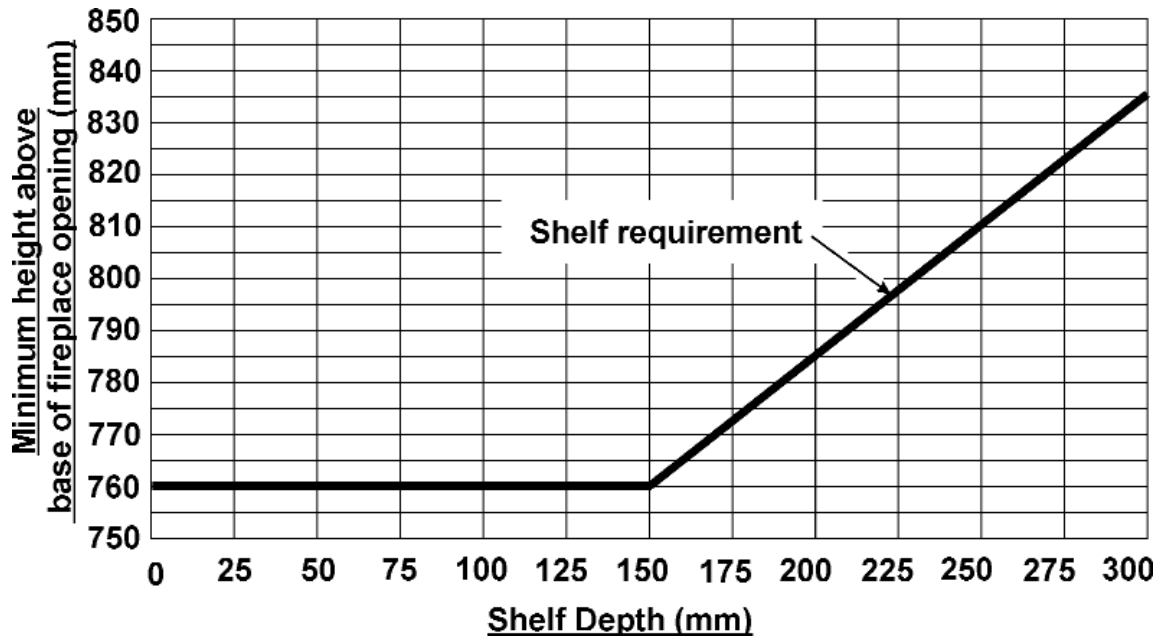


Figure 2. Combustible shelf clearances for VISAGE, DREAM, ETERNAL, DECADENT, OBSESSION and ICON models only.

Don't hang clothing, towels or any other fabrics over the fire.

Don't add any extra fuel effect pieces above the number stated in this guide. This could cause a safety hazard.

Don't put paper or any other material on the fire.

Don't place any combustible material (rugs, carpet, plastic tiles, etc.) on the hearth.

Don't attempt to clean or service the fire until it has been switched off and allowed to cool completely.

OWNER GUIDE

GAS CONSUMPTION

Model 940

Has a maximum natural gas input of 6.85kW (Gross)

Has a maximum natural gas output of 4.0kW

Has a minimum natural gas input of 2.7kW (Gross)

Has a minimum natural gas output of 1.34kW

Model 940 when converted using kit number 0595211

Has a maximum propane gas input of 6.7kW (Gross)

Has a maximum propane gas output of 3.9kW

Has a minimum propane gas input of 4.3kW (Gross)

Has a minimum propane gas output of 2.29kW

OWNER GUIDE

APPLIANCE DIMENSIONS AND CLEARANCES

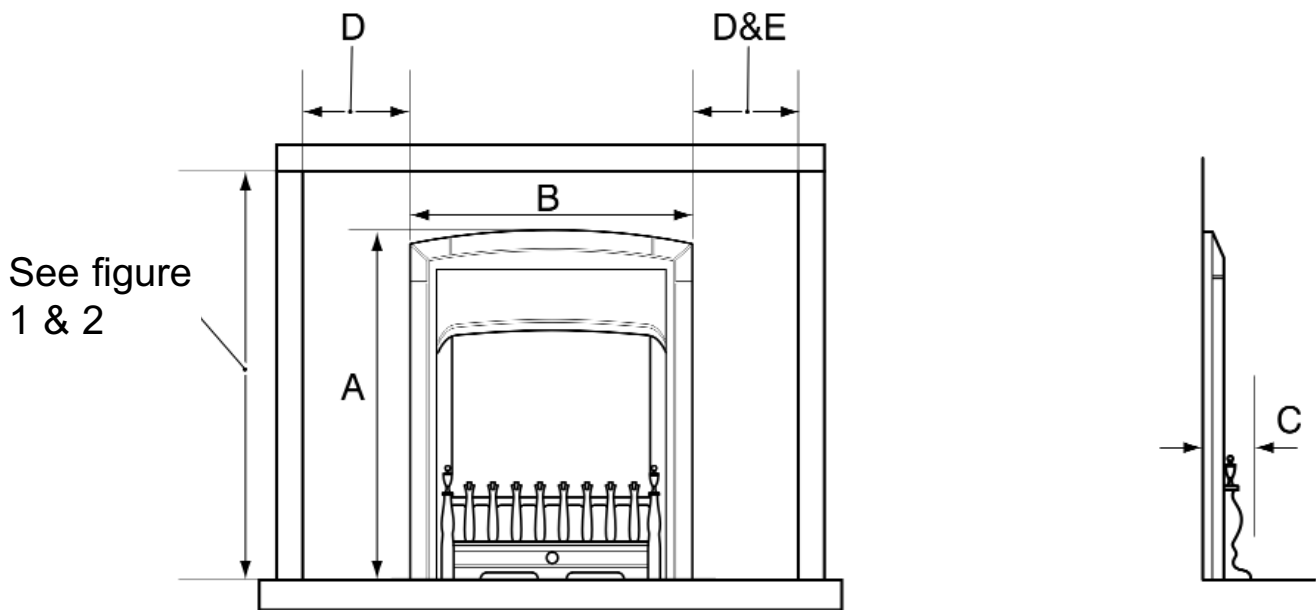


Figure 3. Appliance dimensions and clearances (See following page)

OWNER GUIDE

| Key | Description | Model | | | | | | |
|-----|--|-------|--------|------|-------|---------|----------|-----------|
| | | Adorn | Visage | Icon | Dream | Eternal | Decadent | Obsession |
| A | Height (mm) | 768 | 611 | 622 | 636 | 611 | 625 | 621 |
| B | Width (mm) | 545 | 529 | 631 | 518 | 514 | 529 | 530 |
| C | Depth into room (mm) | 88 | 94 | 64 | 94 | 76 | 92 | 96 |
| D | Minimum mandatory clearance to combustible surfaces projecting beyond the front of appliance (mm). | 100 | 108 | 65 | 100 | 100 | 108 | 100 |
| E | Recommended clearance to non-combustible surfaces for access purposes (mm). | 10 | 10 | 65 | 50 | 50 | 108 | 50 |

Figure 3 continued. Appliance dimensions and clearances.

The Oxysafe flame sensing and flue blockage safety system.

For your safety, this appliance is fitted with a flue blockage safety device which will shut down the appliance in the event of abnormal flue conditions. **This device is NOT a substitute for an independently mounted Carbon Monoxide detector.**

The device will also automatically shut off the gas supply to the fire if the pilot flame goes out due to lack of oxygen or for any other reason.


If this device starts to repeatedly shut off the gas, get expert advice.

This device incorporates a probe which senses that the heat from the pilot flame is correct. If this probe is cool, the device will prevent any gas flow unless the control knob is held in at the ignition position.

If, for any reason, the flames go out when the fire is hot or if the fire is turned off when hot, always **wait at least three minutes before attempting to relight.**

To light the fire.

The slide control is shown in figure 4.

1. Slide the control button to the bottom (ignition) position marked . In this position, the electronic ignition system should cause a series of sparks that should light the pilot. Within four seconds of the pilot igniting, the main burner should light at its minimum setting. If no sparks are produced to light the pilot, the battery may need replacing. Details of battery replacement are given further on in this guide.

Until you can obtain a replacement battery the fire can be lit with a taper as described later in this guide.

2. Keep the button at the ignition position for a further ten seconds. This will prevent the flame-sensing device from shutting off the gas while its probe warms up as explained above.

3. If low heat is required, release the button. The button will automatically spring up to the low heat position shown in figure 4 (See note i below). If for any reason the slider control does not spring up, raise the slider to the off (O) position (Topmost position) and contact your installer. Do not use the fire until the problem has been rectified.

4. For a higher heat level slide the button upwards. The burner flames and heat output will gradually increase until the button reaches the high heat position shown in figure 4. When the button reaches the high heat position you will feel a check to its movement. **Do not slide the button above the high heat position unless you want to turn the fire off** (See note i below).

Note i) If the flames go out while setting the control, repeat the full lighting procedure. If the flames repeatedly go out have the fire serviced.

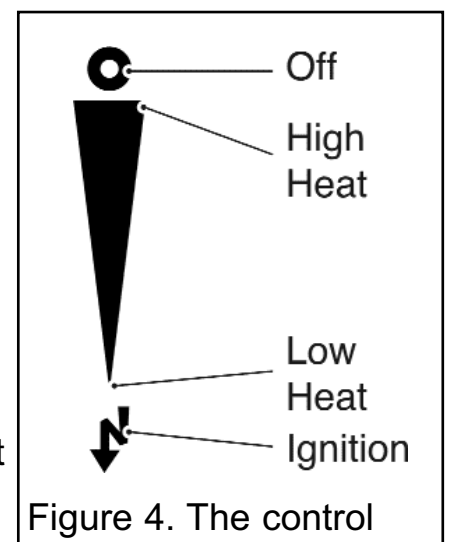


Figure 4. The control

OWNER GUIDE

- ii) Please note. When first turned on the flames will appear predominantly blue. The ceramic fuel effect pieces will take time to warm up. Although some glow will be seen after approximately ten minutes, the full visual effect will only be apparent after a somewhat longer time.
- iii) The appliance will operate to its maximum potential if the flue is primed during the first 20 – 30 minutes of operation. To do this, simply slide the control button to its highest setting. This will also burn off any carbon deposits that may have formed during previous operations.
- iv) If operating the appliance for long periods it is beneficial occasionally to change the settings. This will also help to remove any carbon deposits that may form during operation.

To turn the fire off.

1. Slide the button up past the high heat position to the “O” position. Both the main burner and the pilot should go out. While cooling, the ceramic fuel effect pieces may make some crackling noises. This is quite normal.

Lighting with a taper.

(See figure 5).

In the unlikely event of failure of the ignition spark, the pilot can be lit by a taper or long spill. Insert the taper or spill between the second and third left hand ceramic fuel effect pieces on the first row. Operate the slide control as described above.

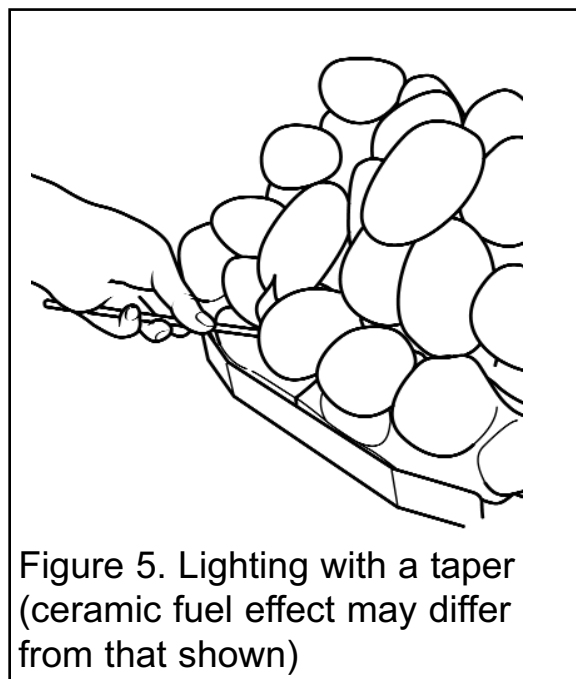


Figure 5. Lighting with a taper (ceramic fuel effect may differ from that shown)

OWNER GUIDE

CLEANING YOUR FIRE

To maintain the high performance and quality finish of your fire please follow these guidelines:

Before attempting to clean the fire, please remember to turn off the fire and wait for the appliance to cool. The fire will retain heat for some time before cleaning can begin.

If any pieces of debris are found in the firebox, have the chimney inspected before further use.

Metal parts.

- Clean the metal parts with a slightly damp cloth and then dry.
- Do not use abrasive cleaners as these will scratch the fire surface.

Ceramic fuel effect pieces and burner compartment walls.

This product uses fuel effect pieces and burner compartment walls containing Refractory Ceramic Fibres (RCF), which are man-made vitreous silicate fibres. Excessive exposure to this material may cause irritation to eyes, skin and respiratory tract. Consequently, it is important to take care when handling these articles to ensure that the release of dust is kept to a minimum.

- Light coatings of soot will usually be burnt off during the normal operation of the fire. Should any soot accumulation become excessive, the fuel effect pieces and walls should be removed from the fire for cleaning.
- Cleaning should be carried out in a well ventilated area or in the open air by gently brushing with the pieces held away from your face so that you avoid inhaling the dust.
- We do not recommend the use of a normal domestic vacuum cleaner which may blow dust back into the air.
- We suggest that you remove the ceramic fuel effect pieces in the reverse order to that shown in the ceramic fuel effect installer and owner guide.

Burner.

Remove any deposits of soot or other foreign matter from the surface of the burner with a dry soft brush. Be careful not to brush any particles into the open slots.

Remove any particles from the slots with a vacuum cleaner fitted with a soft brush attachment. **Do not poke wire, etc. into the slots in the burner.**

OWNER GUIDE

CERAMIC FUEL EFFECT FITTING

The installer and owner guide for the ceramic fuel effect is separate from this guide. The installer may have attached it to this guide or placed it inside. It is important that the installer and owner guide for the ceramic fuel effect is followed correctly. If replacing the ceramic fuel effect, where a new guide is supplied, follow the installer and owner guide supplied with the replacement fuel effect. Keep the replacement installer and owner guide with this owner guide for future reference.

MAINTENANCE

Battery replacement.

This appliance requires one 9V PP3 Ever Ready Silver Seal (or equivalent) battery.

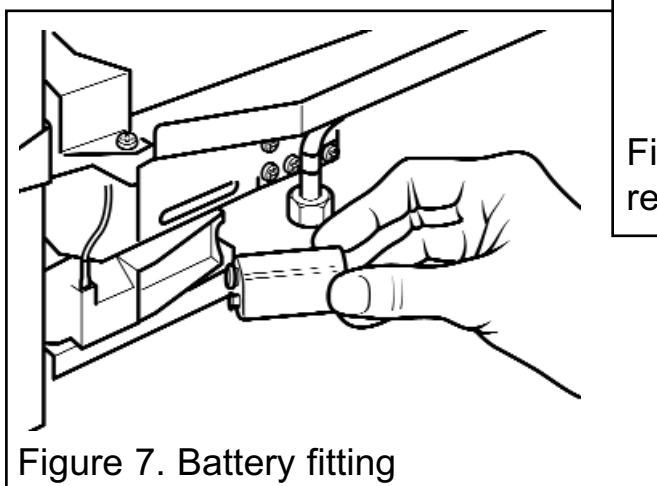
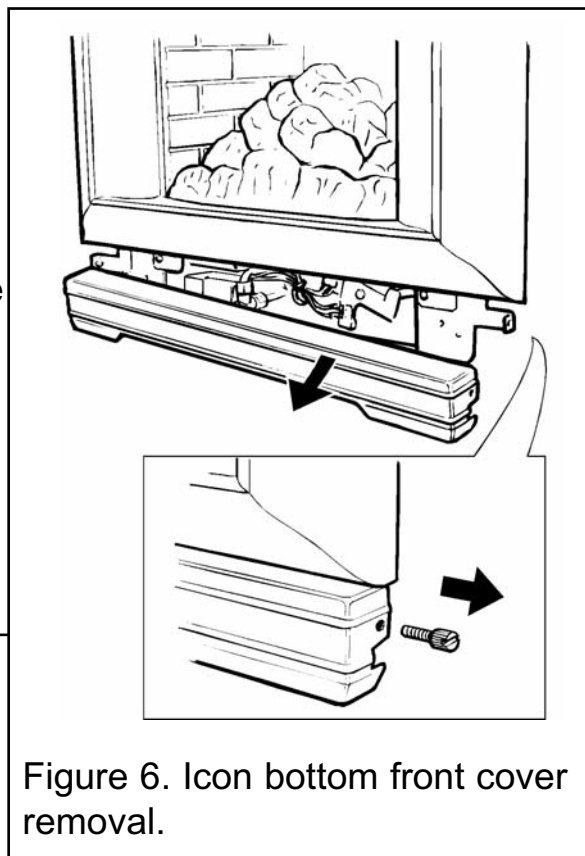
Adorn, Dream, Eternal, Decadent, Obsession & Visage.

To replace the battery remove the bottom front cover casting.

Icon

To replace the battery undo the screws at the sides of the bottom front cover and remove the cover (See figure 6).

Fit the new battery firmly to the connections on the ignition block (See figure 7).



OWNER GUIDE

Regular maintenance.

In order to achieve and maintain high levels of personal safety and performance efficiency, it is essential that the opening at the back of the fire and the flue are kept clear of any form of obstruction. It is possible that deposits of mortar or soot could fall and accumulate causing the flue to be blocked or restricted and so preventing proper clearance of dangerous exhaust fumes.

In the United Kingdom it is the law that a landlord must have any gas appliance, flue and pipework which is situated in a tenant's premises checked for safety at least every twelve months by a competent person (In the UK a GAS SAFE REGISTER engineer, Outside of the UK a CORGI or GAS SAFE REGISTER engineer).

We recommend that all gas appliances and their flues, wherever situated, are checked annually.

Replacement ceramics.

If you wish to replace any of the ceramic fuel effect pieces, spare parts are available nationwide via the '**interpart** stockist network'. For your local stockist consult Yellow pages under Central Heating.

Standard Warranty Terms & Conditions

The warranty is for 12 months subject to contract.

In the United Kingdom servicing can be carried out either by a **heateam** service engineer or a **GAS SAFE REGISTER** engineer. Outside of the United Kingdom servicing can be carried out either by a **CORGI** or **GAS SAFE REGISTER** engineer. You must register your fire with **heateam**, the service division of Baxi Heating UK Limited, either by completing and returning the registration card or calling our free telephone registration line on **0800 032 72 44**.

It is also a requirement of the warranty that the fire has an annual service (every 12 months) in accordance with the installation and servicing instructions, performed by a **GAS SAFE REGISTER** engineer, (**CORGI** or **GAS SAFE REGISTER** outside of UK), please call on **0844 8711 525**.

Our promise to you

If you experience a fault with your new fire, we aim to provide a safe and high quality repair service supported by our dedicated national network of highly skilled engineers. If your installer can't resolve the problem for you, we will do everything we can to get an engineer out to you as quickly as possible. Nothing in this warranty will affect your statutory rights.

What you need to do if you experience a problem with the operation of the fire:

- You should always contact your installer first, because the cause of the fault may not be related to the fire.
- If your installer confirms that the fault is with the fire and they can't repair it, our friendly customer service team is on hand to help.
- Simply call our service division **heateam** on **0844 8711 565** to book an engineer visit or for any general advice that you may need. Our contact centre is open Monday to Friday 8am – 6pm, weekends and Bank Holidays 8.30am – 2pm, excluding Christmas Day and New Years day.

OWNER GUIDE

When calling **heateam**, it would be helpful if you could have the following information to hand:-

1. Fire serial number and fascia code (Located on the information label - See figure 8 on page 67)*.
2. Date of installation*.
3. Your installer name and address details*.
4. Fire make and model number*.
5. Proof of purchase (if you do not have the fire serial number).

***Note: Details 1 – 4 should be recorded on pages 66 & 67 at the end of this guide.**

What this warranty covers

Free of charge repair or replacement of components found to be of faulty manufacture.

Free of charge replacement of the complete unit providing the failure is related to a manufacturing fault that cannot be repaired or is uneconomic to repair.

What this warranty does not cover

Repairs to fires which haven't been installed and commissioned properly and as set out in the installation instructions.

Faults caused by inadequate supply of gas or electricity (where applicable).

Reimbursement of any third party repair or replacement costs that we haven't been told about or agreed with you in advance.

Compensation or consequential losses (e.g. loss of earnings, business losses, stress and inconvenience) arising from a production breakdown, including repair delays caused by factors outside our reasonable control.

OWNER GUIDE

OWNER GUIDE

The following pages are to be completed by the installer:

Installer Details (Block Capitals)

| | |
|---|--|
| Installer Name | |
| Gas Safe Register or Corgi Registration Number. | |
| Company Name. | |
| Company Address | |
| Company Telephone number | |
| Company Fax number | |

OWNER GUIDE

Model

Serial number (Can be found on information label - See figure 8)

A LABEL CONTAINING THE SERIAL NUMBER MAY HAVE BEEN PLACED INSIDE THIS BOX.

Fascia name (Block Capitals)

Fascia code - Can be found on information label (Block Capitals)

A LABEL CONTAINING THE FASCIA CODE MAY HAVE BEEN PLACED INSIDE THIS BOX.

Brand (Please tick)

Baxi

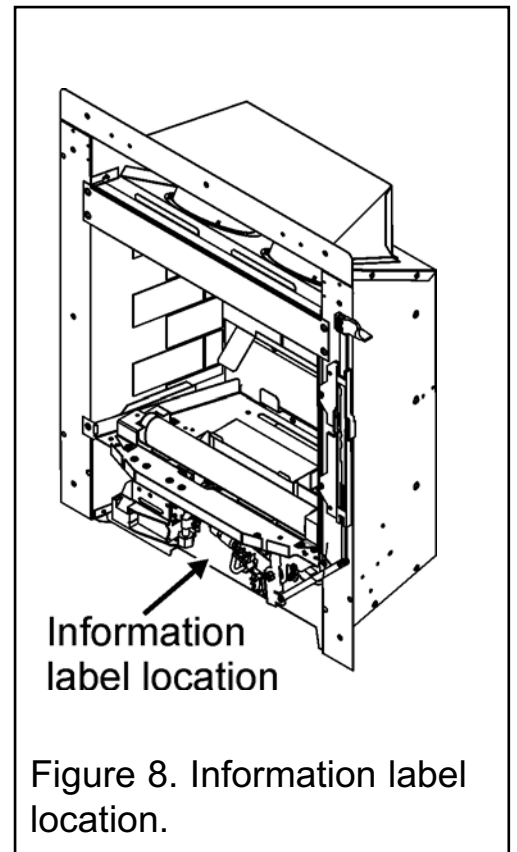
Valor

Wonderfire

Other.....

Date of Installation

D D M M Y Y



VALOR FIRES