

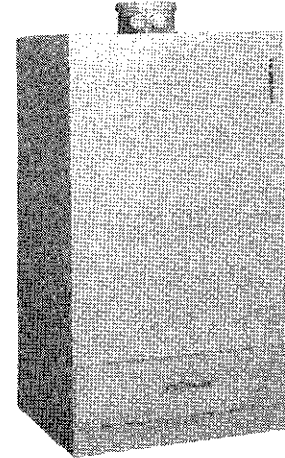
## Product Notification No. VD100-07

**Department:** Product Management

**Product:** Vitodens 100-W weather comp option

**Date:** 20/05/2008

**Subject:** Outdoor sensor 7818116



**Description:** The VD 100 combi/system (4-pipe system only) are suitable to operate with an outdoor sensor.

The VD 100-W weather comp option is already build into the boilers main PCB, therefore to activate the function simply connect the outdoor sensor to the X3 terminal.

The outdoor sensor part-no is 7818116 (one page instructions sheet is provided)

The list price is £52.

**Note:** This is a simple weather comp option and it doesn't provide night set back or room influence features. Once the outdoor sensor is connected the boilers flow temperature is controlled/regulated by the outside temperature.

The boilers pump over-run function operates as normal.

The outdoor sensor can be used to older models as well.

Product is in stock!

**Action:** **Vi-GB merchant price list to be amended – (Gerf)**  
**Ensure sufficient stock is available - (Grij)**  
**Training courses to include weather comp option - (Loba)**

**Distribution:** Marketing, Technical Service, Sales, Training

## Installation Instructions

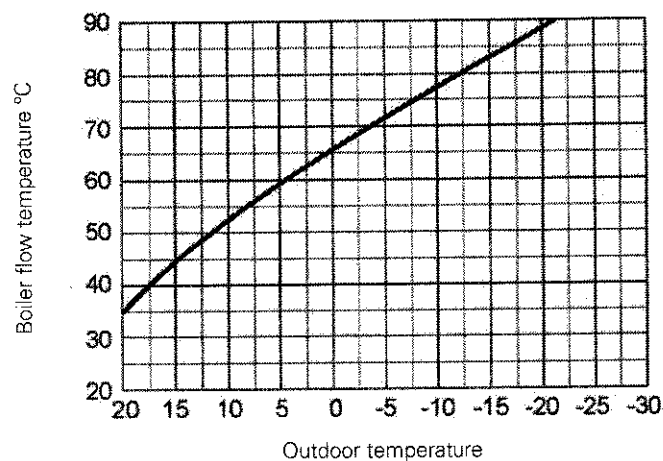
### Vitodens 100-W with outdoor weather compensation

#### Dear Customer

Thank you for choosing a Viessmann Vitodens 100-W combi/system boiler. This high quality, very efficient gas boiler can be up-graded to the Viessmann Energy Management System (EMS). Part of the EMS is to connect an outdoor temperature sensor to the boiler enabling it to automatically adjust the boiler's temperature to compensate for the outside temperature. For example, if the outside temperature is  $-5^{\circ}\text{C}$  the boiler's set flow temperature is approx  $72^{\circ}\text{C}$ . If the outside temperature warms up the set flow temperature reduced accordingly.

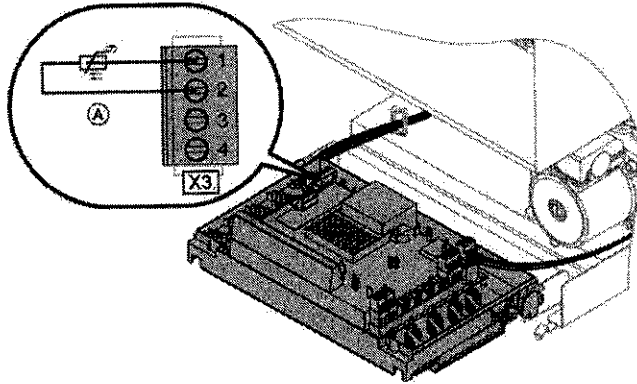
This ensures that the boiler will only provide heat to the radiators when required and to the right temperature, thus improving the overall efficiency even further. As a rule of thumb, for every degree drop of return temperature the boiler efficiency improves by 0.3%.

#### The heating curve



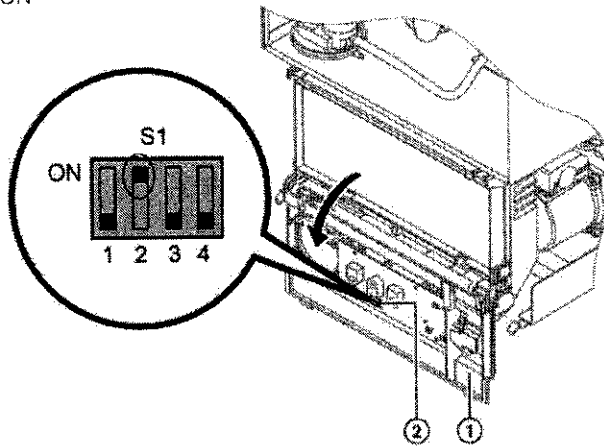
### Connect the outdoor sensor

- Open the control box
- Connect the sensor to a 2-core cable
- The 2-core cable is connected to terminal X3



### For the weather compensation operation the jumper plug has to be changed

1. Lower the front cover of the control box
2. Set jumper plug S1.2 to 'ON'
3. Close the control box



### Operation and adjustments

As soon as the boiler is set up in weather compensation mode the boiler temperature control at the front of the boiler is disabled. The CH control knob should be left at mid position. However, if the factory set heating curve is not sufficient or too much, it is possible to adjust the curve by rotating the CH control knob clockwise (warmer) or anti-clockwise (colder).