

Installation instructions

for contractors



Replacing the control unit

for the Vitodens 100-W, type WB1B

Safety instructions



Please follow these safety instructions closely to prevent accidents and material losses.

Safety instructions explained



Please note

This symbol warns against the risk of material losses and environmental pollution.

Note

Details identified by the word "Note" contain additional information.

Installation, initial start-up, inspection, maintenance and repairs must only be carried out by a competent person (heating engineer/installation contractor).

Before working on the equipment/heating system, isolate the power supply (e.g. by removing a separate mains fuse or by means of a mains isolator) and safeguard against unauthorised reconnection.

When using gas as fuel, also close the main gas shut-off valve and safeguard against unauthorised reopening.

Repairing components which fulfil a safety function can compromise the safe operation of your heating system. For replacements, use only original spare parts supplied or approved by Viessmann.

Opening the Vitodens

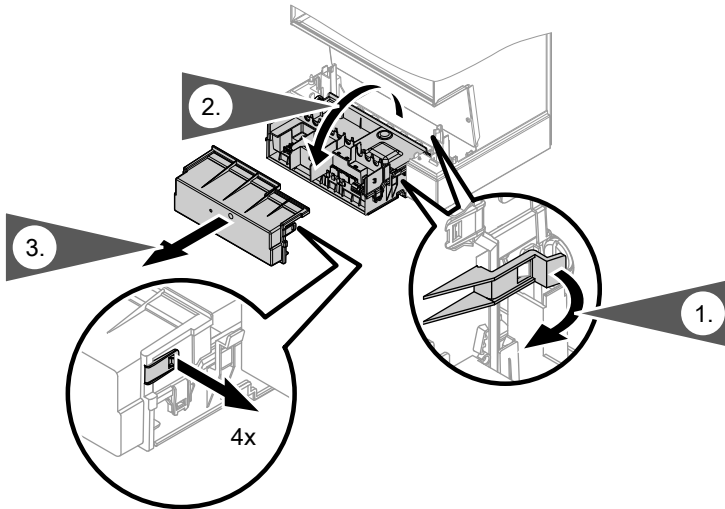


Installation and service instructions

Opening the control unit casing

Note

Switch OFF the power.



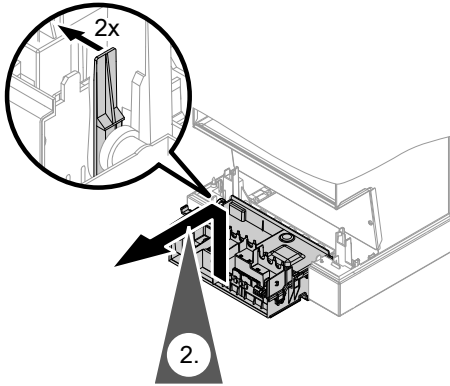
Replacing the control unit



Please note

Electronic modules can be damaged by electrostatic discharges. Before beginning work, touch earthed objects, such as heating or water pipes, to discharge static loads.

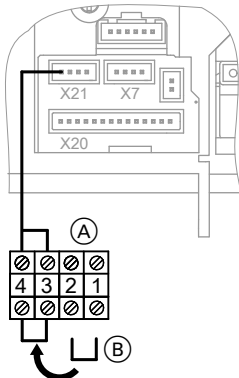
Replacing the control unit (cont.)



1. Pull all plugs from the control unit.
2. Release the locking tabs on the control unit and remove the unit.
3. Insert the new control unit into the control unit support.
4. Connect all plugs to the control unit.

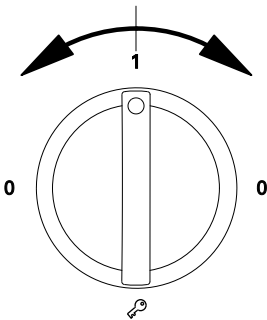
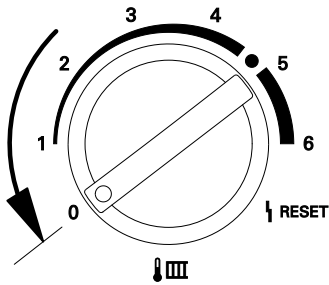
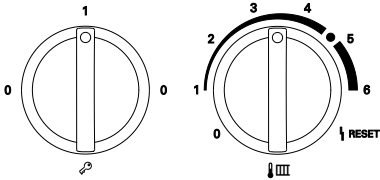
Matching the control unit to the boiler

Match the new control unit to the boiler by selecting a set of parameters.



1. At the terminal block (A) remove jumper (B) from terminals 1 and 2, and insert into terminals 3 and 4.
2. Turn ON/OFF switch ON.

Matching the control unit to the boiler (cont.)



3. Simultaneously turn rotary selectors "🔑" and "III" to their central positions.
"SERV" appears on the display.

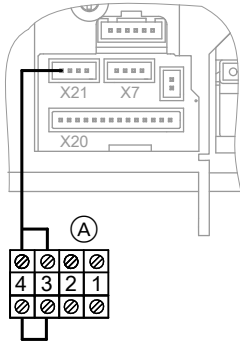
4. Turn rotary selector "III" anticlockwise within 2 s.
In the display the value for the selected set of parameters (1 - 12) flashes.
5. Select the set of parameters that suits the boiler in accordance with the following table and the serial number (see type plate).

6. Select the correct set of parameters by turning rotary selector "🔑".

Serial no. (Type plate)	Parameter set no.
7416 302	2
7416 303	3
7416 304	4
7416 307	1

7. Wait until the standard display is showing. The selected set of parameters is now saved.
8. Enabling parameter setting:
Switch the control unit ON/OFF switch first OFF and then ON again.

Matching the control unit to the boiler (cont.)

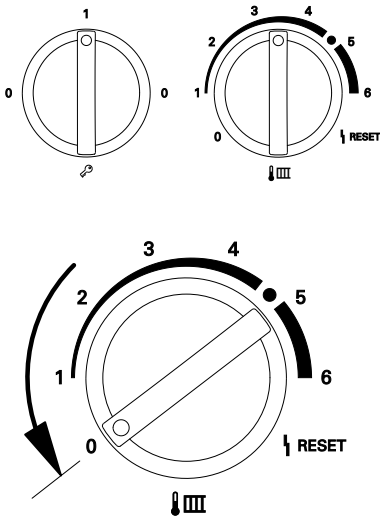


9. Remove new lead (A) from "X 21" again (is no longer required).
10. If a lead was previously connected to "X 21" at the control unit (remote control unit or outside temperature sensor): Reconnect this lead to "X 21".

Converting gas type on the control unit

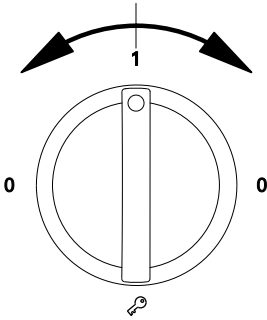
Note

The gas type must only be converted when operating with LPG. In the delivered condition, the control unit is set to operate with natural gas.



1. Simultaneously turn rotary selectors "🔑" and "🌡️" to their central positions. "SERV" appears on the display.
2. Turn rotary selector "🌡️" anticlockwise within 2 s. "🔑" appears on the display and the set value flashes.

Converting gas type on the control unit (cont.)



- Adjust the control unit to natural gas or LPG by turning the rotary selector "1".
The following will flash on the display:
 - "0" for operation with natural gas or
 - "1" for operation with LPG.
- Wait until the standard display is showing. The selected gas type is now saved.
- Enabling parameter setting:
Switch the control unit ON/OFF switch first OFF and then ON again.

Closing the control unit and starting the boiler

- Close the control unit casing and flip up the control unit.
- Fit the front panel.
- Start up the boiler and check for correct function.

Viessmann Werke GmbH&Co KG
D-35107 Allendorf
Telephone: +49 6452 70-0
Fax: +49 6452 70-2780
www.viessmann.com

Viessmann Limited
Hortonwood 30, Telford
Shropshire, TF1 7YP, GB
Telephone: +44 1952 675000
Fax: +44 1952 675040
E-mail: info-uk@viessmann.com

5414 242 GB Subject to technical modifications.



Printed on environmentally friendly,
chlorine-free bleached paper