

Installation instructions

For contractors

Outdoor sensor kit Z007 933

For Vitodens 100-W Compact (type WB1B)

General installation instructions

These instructions are for Vitodens 100 Compact boilers serving central heating and hot water. The weather compensation outdoor sensor can only be used in conjunction with the cylinder demand box supplied. [This is not needed if the installation is for central heating only - without hot water. In this case, use outdoor sensor kit Z006 506 instead.]

Y-Plan mid-position valves (eg Honeywell V4073A) must be wired to operate as a W-Plan, as described.

Use the Internal wiring diagram overleaf for plug in timers or base stations.

Use the External wiring diagram overleaf for separately mounted equipment.

A room thermostat may be connected in addition to the outdoor sensor.

The outdoor sensor kit (Z007 933) consists of:

Outdoor sensor	7818 116
Connection lead	7296 465
Cylinder control box	7296 968

Functions and operating conditions in weather compensated mode

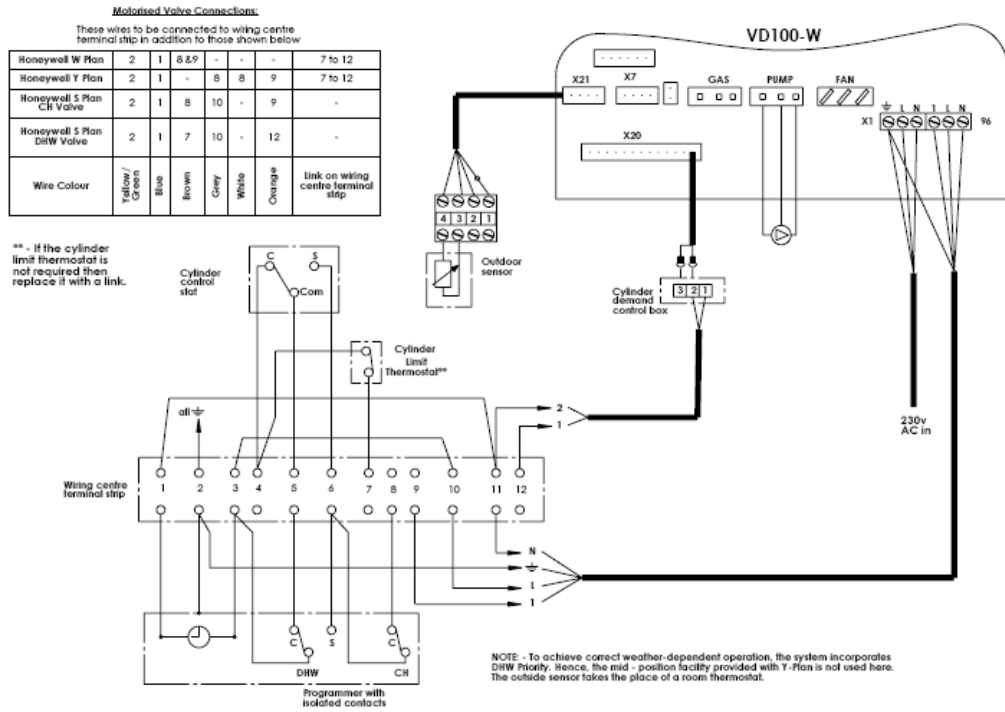
In weather compensated mode, the boiler temperature is regulated subject to the outside temperature.

Installation of the outside temperature sensor:

- North or north-western wall, 2 to 2.5m above ground level; in multi storey buildings, in the upper half of the second floor
- Not above windows, doors or ventilation outlets
- Not immediately below balconies or gutters
- Never render over
- 2-core lead, max 35m length with a cross-section of 1.5mm²

Option 1: outdoor sensor with external time control

EXTERNAL TIME CONTROL



Option 2: outdoor sensor with internal time control (Viessmann accessories)

INTERNAL TIME CONTROL

(Do not select Central Heating Only. Hot Water must be enabled with Central Heating)

Motorised Valve Connections:

These wires to be connected to wiring centre terminal strip in addition to those shown below

Honeywell W Plan	1	2	3	-	-	-
Honeywell Y Plan	1	2	-	3	3	NC
Honeywell S Plan CH Valve	1	2	3	NC	NC	NC
Honeywell S Plan DRW Valve	1	2	7	NC	NC	NC
Wire Colour NC = no connection (but make safe)	Yellow/ Green	blue	brown	grey	white	orange

** - If the cylinder limit thermostat is not required then replace it with a link.

NOTE - To achieve correct weather-dependent operation, the system incorporates DRW Priority. Hence, the mid-position facility provided with Y-Plan is not used here. The outside sensor takes the place of a room thermostat.

