

Installation and service instructions

for contractors

VIESSMANN

Vitodens 222-F

Type FS2B

Compact gas condensing boiler

4.8 to 35 kW natural gas and LPG version

For applicability, see the last page



VITODENS 222-F



Safety instructions



Please follow these safety instructions closely to prevent accidents and material losses.

Safety instructions explained



Danger

This symbol warns against the risk of injury.



Please note

This symbol warns against the risk of material losses and environmental pollution.

Note

Details identified by the word "Note" contain additional information.

Target group

These instructions are exclusively designed for qualified personnel.

- Work on gas equipment must only be carried out by a qualified gas fitter.
- Work on electrical equipment must only be carried out by a qualified electrician.
- The system must be commissioned by the system installer or a qualified person authorised by the installer.

Regulations

Observe the following when working on this system

- all legal instructions regarding the prevention of accidents,
- all legal instructions regarding environmental protection,
- the Code of Practice of relevant trade associations,

- all current safety regulations as defined by DIN, EN, DVGW, TRGI, TRF, VDE and all locally applicable standards,
- Gas Safety (Installation & Use) Regulations
 - the appropriate Building Regulation either the Building regulations, the Building Regulation (Scotland), Building Regulations (Northern Ireland),
 - the Water Fittings Regulation or Water Bylaws in Scotland,
 - the current I.E.E. Wiring Regulations.

If you smell gas



Danger

Escaping gas can lead to explosions which may result in serious injury.

- Never smoke. Prevent naked flames and sparks. Never switch lights or electrical appliances ON or OFF.
- Close the gas shut-off valve.
- Open windows and doors.
- Remove all people from the danger zone.
- Notify your gas or electricity supplier from outside the building.
- Shut off the electricity supply to the building from a safe place (outside the building).

Safety instructions (cont.)

If you smell flue gas



Danger

Flue gas can lead to life-threatening poisoning.

- Shut down the heating system.
- Ventilate the boiler room.
- Close all doors leading to the living space.

Working on the system

- When using gas as fuel, also close the main gas shut-off valve and safeguard against unauthorised reopening.
- Isolate the system from the power supply and check that it is no longer 'live', e.g. by removing a separate fuse or by means of a main isolator.
- Safeguard the system against unauthorised reconnection.



Please note

Electronic modules can be damaged by electro-static discharges.

Touch earthed objects, such as heating or water pipes, to discharge static loads.

Repair work



Please note

Repairing components which fulfil a safety function can compromise the safe operation of your heating system.

Replace faulty components only with original Viessmann spare parts.

Ancillary components, spare and wearing parts



Please note

Spare and wearing parts which have not been tested together with the heating system can compromise its function. Installing non-authorised components and non-approved modifications/conversion can compromise safety and may invalidate our warranty. For replacements, use only original spare parts from Viessmann or those which are approved by Viessmann.

Index

Installation instructions

Preparing for installation

Product information.....	6
Preparing for installation.....	6

Installation sequence

Installing the boiler.....	11
Opening the control unit casing.....	14
Electrical connections.....	15
Closing the control unit casing.....	19

Service instructions

Commissioning, inspection, maintenance

Steps - commissioning, inspection and maintenance.....	21
Further details regarding the individual steps.....	23

Code 1

Calling up coding level 1.....	61
General/Group "1".....	62
Boiler/Group "2".....	64
DHW/Group "3".....	65
Heating circuit 1, heating circuit 2, heating circuit 3/Group "5".....	65

Code 2

Calling up coding level 2.....	72
General/Group "1".....	73
Boiler/Group "2".....	81
DHW/Group "3".....	82
Heating circuit 1, heating circuit 2, heating circuit 3/Group "5".....	84

Diagnosis and service scans

Calling up the service menu.....	94
Diagnosis.....	94
Checking outputs (relay test).....	99

Troubleshooting

Fault display.....	102
Fault codes.....	104
Repairs.....	115

Function description

Constant temperature control unit.....	126
--	-----

Index (cont.)

Weather-compensated control unit.....	127
Internal extensions.....	130
External extensions (accessories).....	132
Control functions.....	136
Assigning the heating circuits to the remote control.....	144
Electronic combustion controller.....	144
Designs	
Internal connection diagram.....	146
External connection diagram.....	147
Parts lists	149
Commissioning/service reports	157
Specification	158
Certificates	
Declaration of conformity.....	159
Manufacturer's certificate according to the 1st BImSchV [Germany].....	160
Keyword index	161

Preparing for installation

Product information

Vitodens 222-F, FS2B

Set up for operation with natural gas E and LL.

For conversion to LPG P (without conversion kit), see page 29.

The Vitodens 222-F should generally only be delivered to those countries specified on the type plate. For deliveries to alternative countries, an approved contractor, on his own initiative, must arrange individual approval in accordance with the law of the land.

Preparing for installation

Preparing the boiler installation

Use a connection set, available as an accessory, to make the connection on the gas and water sides. The following overview shows sample connection sets for installation on finished walls to the top or side.



Please note

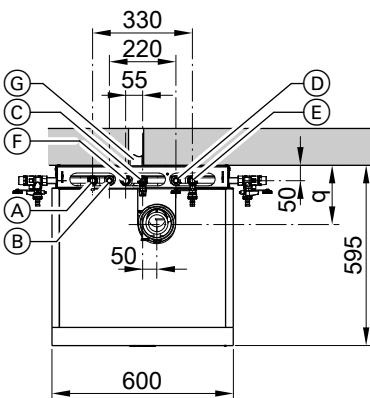
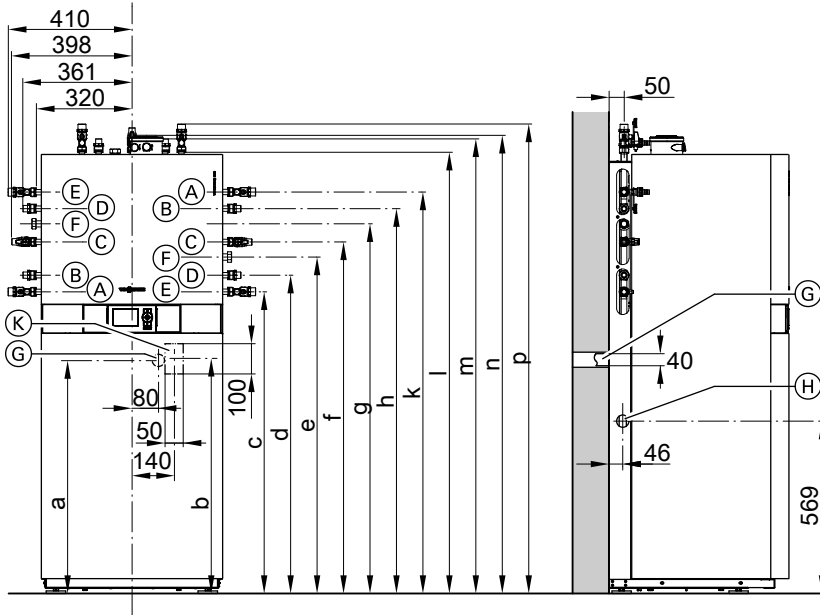
- To prevent equipment damage, install all pipework free of load and torque stresses.

Preparing the connections on site:



Connection set installation instructions

Preparing for installation (cont.)



- Ⓐ Heating flow R $\frac{3}{4}$
- Ⓑ DHW R $\frac{1}{2}$
- Ⓒ Gas connection R $\frac{3}{4}$
- Ⓓ Cold water R $\frac{1}{2}$
- Ⓔ Heating return R $\frac{3}{4}$
- Ⓕ DHW circulation R $\frac{1}{2}$ (separate accessory)
- Ⓖ Condensate drain to the back into the wall
- Ⓗ Side condensate drain
- Ⓚ Cable entry area

Rated output range	4.8 to 19 kW	6.5 to 26 kW	8.8 to 35 kW
a (mm)	745	745	945
b (mm)	750	750	950
c (mm)	972	972	1172

5457 552 GB

Installation

Preparing for installation (cont.)

Rated output range	4.8 to 19 kW	6.5 to 26 kW	8.8 to 35 kW
d (mm)	1027	1027	1227
e (mm)	1082	1082	1302
f (mm)	1137	1137	1337
g (mm)	1191	1191	1391
h (mm)	1247	1247	1447
k (mm)	1302	1302	1562
l (mm)	1437	1437	1637
m (mm)	1466	1466	1666
n (mm)	1465	1465	1665
p (mm)	1526	1526	1726
q (mm)	201	224	224

Note

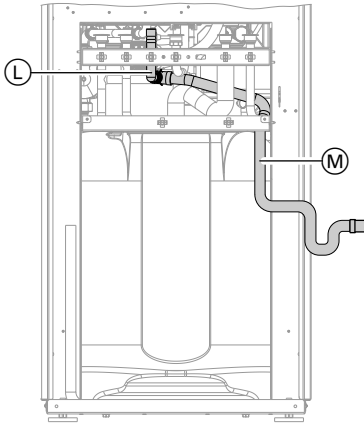
The adjustable feet give all height measurements a tolerance of +15 mm.

1. Prepare the heating water connections.
Flush the heating system thoroughly.

Note

Should an additional diaphragm expansion vessel be required on site, connect that vessel into the heating return.

Preparing for installation (cont.)



2. Prepare the DHW connections. Install the safety assembly (accessory or on-site provision) in accordance with DIN 1988 in the cold water line (see page 10).

Recommendation:

Install the safety valve above the DHW cylinder to protect it against contamination, scaling and high temperatures.

Connect the drain hose to condensate collector (L). Remove plug from condensate collector.

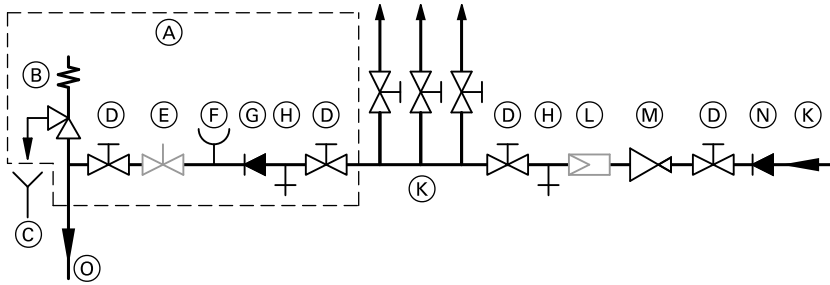
3. Route condensate hose (M) to the back (drain in wall (G)) or to the side aperture (H) (see page 6). Route condensate hose with a U-bend and connect to on-site drain line or siphon.

4. Prepare the gas connection according to TRGI or TRF or all local regulations.

5. Prepare the electrical connections.
 - Power supply cable: NYM-J 3 x 1.5 mm², fuse max. 16 A, 230 V/50 Hz.
 - Accessory cables: NYM with the required number of conductors for the external connections.
 - Allow all cables in area "(K)" (see page 7) to protrude 2000 mm from the wall.

Preparing for installation (cont.)

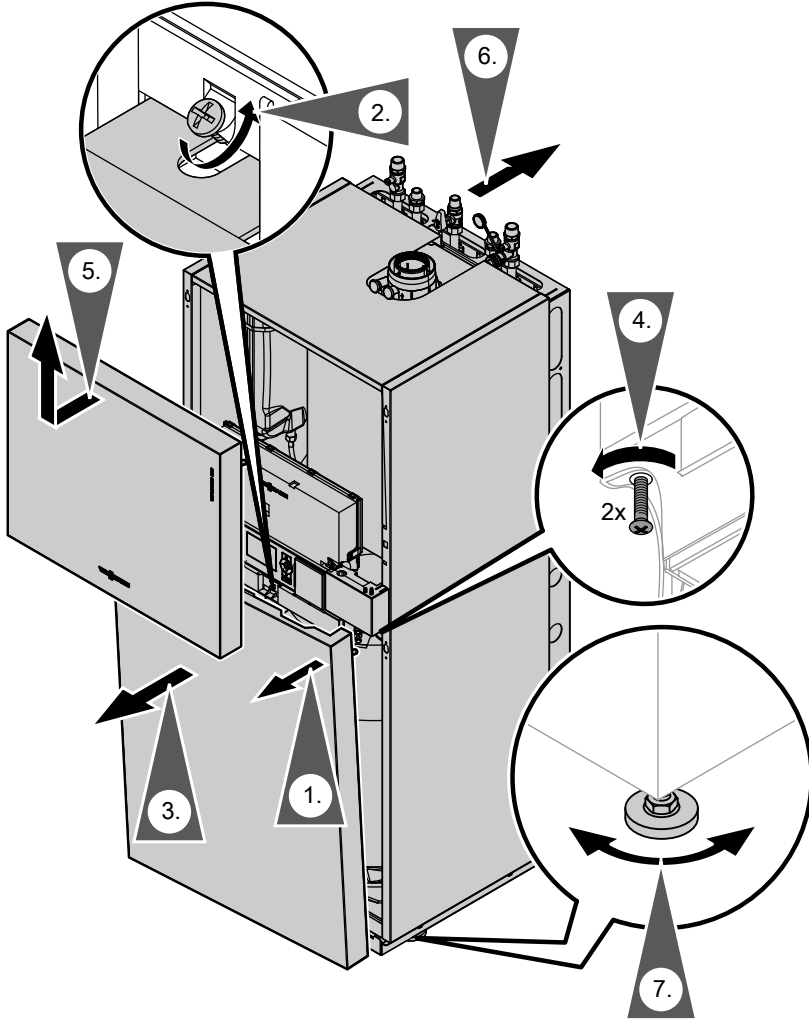
Safety assembly to DIN 1988



- | | |
|---|--|
| Ⓐ Safety assembly to DIN 1988
(accessory to connection sets for
unfinished walls) | Ⓒ Non-return valve |
| Ⓑ Safety valve | Ⓓ Drain |
| Ⓒ Visible blow-off line outlet | Ⓚ Cold water |
| Ⓓ Shut-off valve | Ⓛ Drinking water filter |
| Ⓚ Flow regulating valve (installation
recommended) | Ⓜ Pressure reducer to DIN 1988-2,
issue Dec. 1988 |
| Ⓛ Pressure gauge connector | Ⓝ Non-return valve/pipe separator |
| | Ⓞ Cold water connection at connec-
tion set (accessory) |

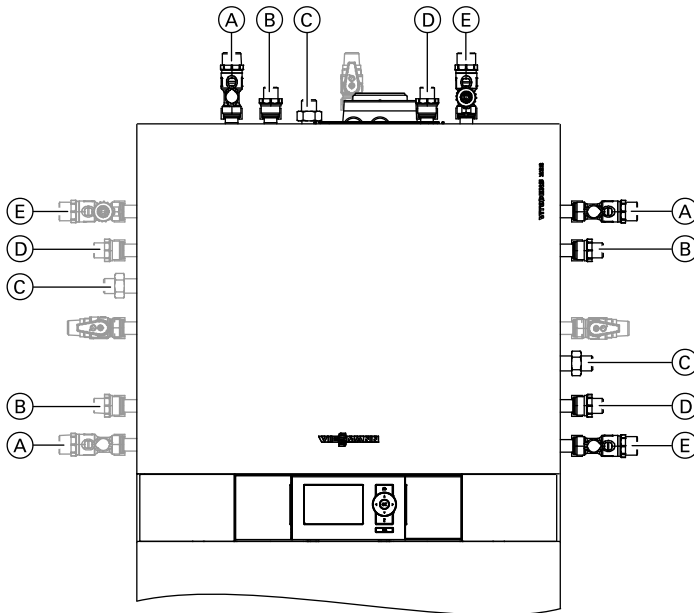
Installing the boiler

Assembling the boiler



Installing the boiler (cont.)

Connections on the heating water and the DHW side




Shown with connection sets for finished walls (accessories)

- Ⓐ Heating flow R $\frac{3}{4}$
- Ⓑ DHW R $\frac{1}{2}$
- Ⓒ DHW circulation R $\frac{1}{2}$ (separate accessory)
- Ⓓ Cold water R $\frac{1}{2}$
- Ⓔ Heating return R $\frac{3}{4}$


DHW connection

The DHW expansion vessel, available as an accessory, is installed in the cold water supply inside the boiler.

 Separate installation instructions

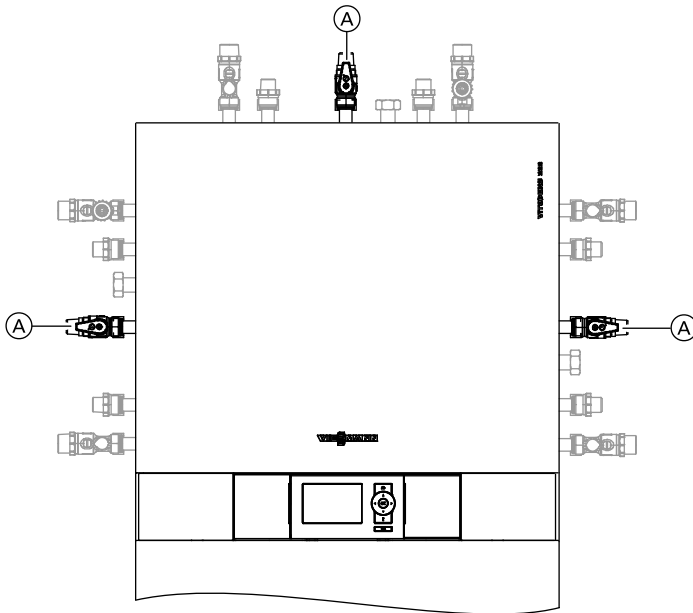
DHW circulation connection

DHW circulation connection with DHW circulation pump connection set (accessory)

 Separate installation instructions

Installing the boiler (cont.)

Gas connection



Notes regarding operation with LPG.

We recommend the installation of an external safety solenoid valve when installing the boiler in rooms below ground level.

1. Secure gas shut-off valve (A) at the gas connection.

2. Carry out a tightness test.

Note

For the tightness test, use only suitable and approved leak detecting agents (EN 14291) and devices.

Leak detecting agents with unsuitable constituents (e.g. nitrites, sulphides) can lead to material damage.

Remove residues of the leak detecting agent after testing.

Installation sequence

Installing the boiler (cont.)



Please note

Excessive test pressure may damage the boiler and the gas valve.

Max. test pressure 150 mbar.

Where higher pressure is required for tightness tests, separate the boiler and the gas valves from the gas supply pipe (undo the fitting).

3. Vent the gas line.

For conversion to a different gas type see page 29

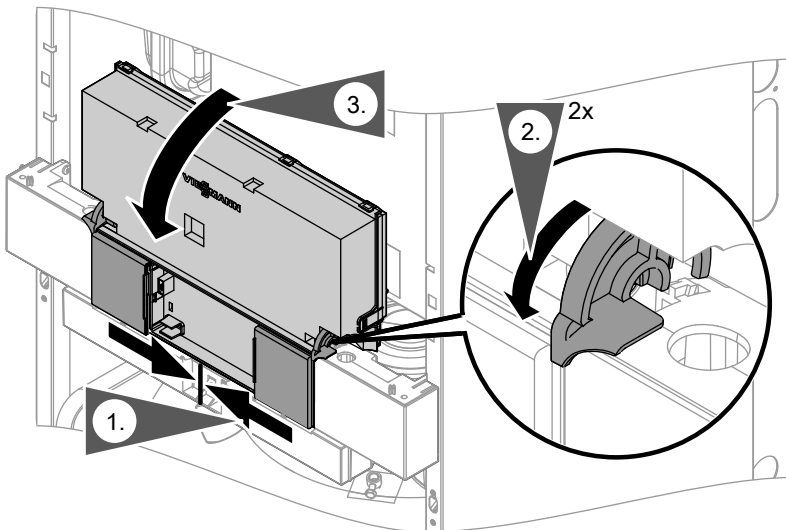
Flue gas connection

Connect the balanced flue.

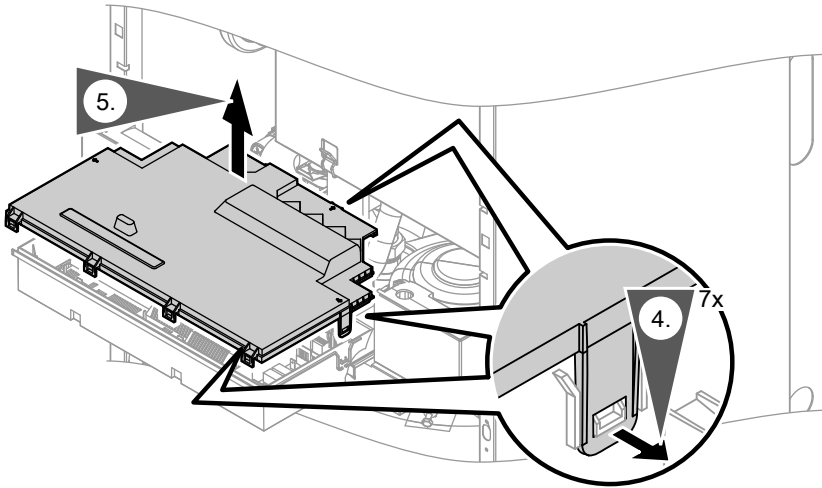


Flue gas system installation instructions.

Opening the control unit casing



Opening the control unit casing (cont.)



Electrical connections



Information regarding the connection of accessories

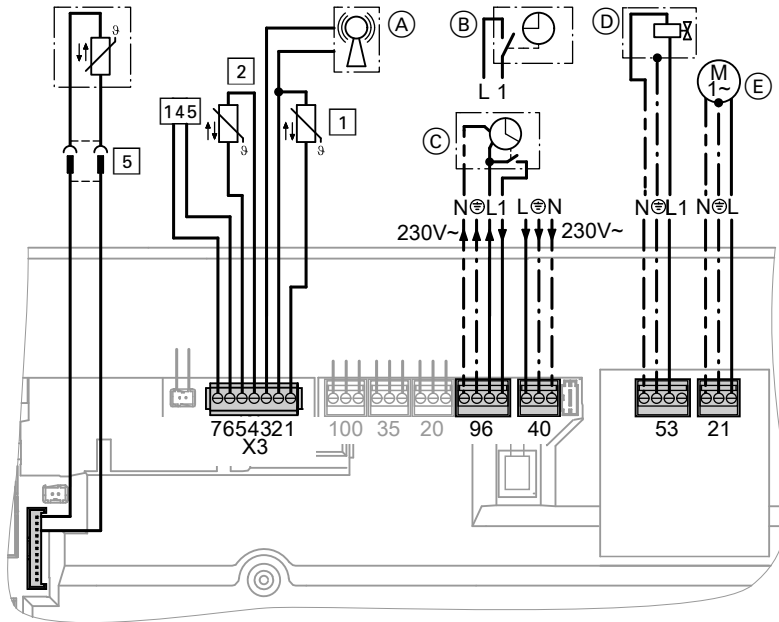
For the connection, observe the separate installation instructions provided with the accessory components.



Please note

Electronic modules can be damaged by electrostatic discharges. Before beginning work, touch earthed objects, such as heating or water pipes, to discharge static loads.

Electrical connections (cont.)



- Ⓐ Radio clock receiver
- Ⓑ Vitotrol 100 UTDB (only for constant temperature control units)
- Ⓒ Vitotrol 100 UTA (only for constant temperature control units)
or
Vitotrol 100 UTDB-RF wireless receiver (only for constant temperature control units)

Plug 230 V~

- Ⓔ Cylinder primary pump Ⓔ (fitted and connected)

- Ⓕ Power supply [terminals]
 - Remove any existing individual cores.


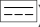


Danger

Incorrect core termination can cause severe injuries and damage to the equipment.

Electrical connections (cont.)

Never interchange cores "L1" and "N".

- Install an isolator in the power supply line that simultaneously isolates all non-earthed conductors from the mains with at least 3 mm contact separation. We additionally recommend installing an AC/DC-sensitive RCD (RCD class B  ) for DC (fault) currents that can occur with energy-efficient equipment. Remove the existing cable grommet when using larger cross-sections (up to $\varnothing 14$ mm). Secure the cable with cable grommet (F) (see page 18) integrated into the casing base.
 - Max. fuse rating 16 A.
- 53** External safety solenoid valve (LPG) (D)
Do **not** remove jumper between "1" and "L" when making this connection.
- 96** Power supply of accessories
Where the boiler is installed in a wet area, the connection of accessories to the power supply must not be carried out at the control unit. The power supply connection for accessories can be made immediately at the control unit, if the boiler is installed outside wet areas. This connection is controlled directly with the system ON/OFF switch (max. 3 A)
 - Vitotrol 100 UTA
 - Vitotrol 100 UTDB
 - Vitotrol 100 UTDB-RF

Low voltage plug X3

- 1** Outside temperature sensor (only for weather-compensated control units)

Installation:

- North or north-western wall, 2 to 2.5 m above ground level; in multi-storey buildings, in the upper half of the second floor
- Not above windows, doors or ventilation outlets
- Not immediately below balconies or gutters
- Never render over
- Cable length max. 35 m with a cross-section of 1.5 mm²

- 2** Flow temperature sensor for low loss header (accessories)
- 5** Cylinder temperature sensor (fitted and connected)
- 145** KM BUS subscriber (accessory)
 - Vitotrol 200A or 300A remote control (only for weather-compensated control units)
 - Vitocom 100
 - Extension kit for one heating circuit with mixer (only for weather-compensated control units)
 - Extension EA1 or AM1

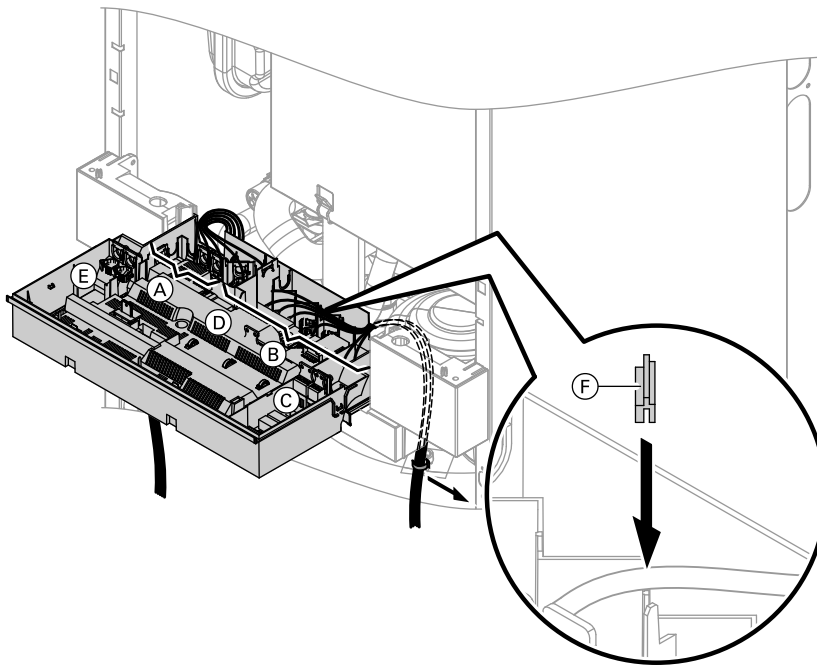
Electrical connections (cont.)

Routing the connecting cables



Please note

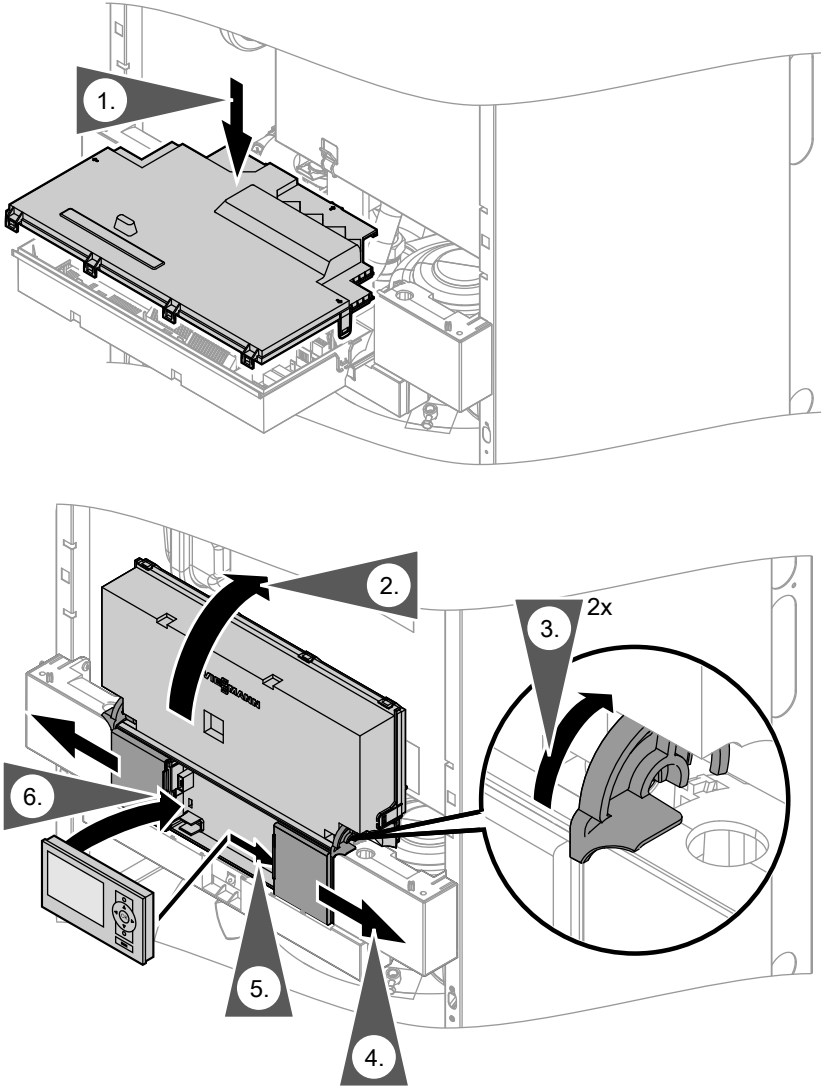
Connecting cables will be damaged if they touch hot parts. When routing and securing power cables on site, ensure that the maximum permissible temperatures for these cables are not exceeded.



- (A) Low voltage connections
- (B) 230 V connections
- (C) Internal extension
- (D) Main PCB

- (E) Communication module (accessories)
- (F) Cable grommet for power supply cable

Closing the control unit casing



Close control unit casing and insert programming unit, packed separately.

Note

The programming unit can also be used in a wall mounting base (accessory) near the boiler.

Installation sequence

Closing the control unit casing (cont.)



Wall mounting base installation
instructions

Steps - commissioning, inspection and maintenance

For further information regarding the individual steps, see the page indicated

				Page
			Commissioning steps	
			Inspection steps	
			Maintenance steps	
			1. Removing the front panels.....	23
			2. Filling the heating system.....	23
			3. Checking the power supply connection	
			4. Selecting the language (if required) – only for weather-compensated control units.....	25
			5. Setting the time and date (if required) – only for weather-compensated control units.....	25
			6. Venting the boiler.....	26
			7. Venting the heating system.....	26
			8. Filling the siphon with water.....	27
			9. Checking all connections on the heating water side and DHW side for leaks	
			10. Designating heating circuits – only for weather-compensated control units.....	28
			11. Checking the gas type.....	28
			12. Gas type conversion (only for operation with LPG)....	29
			13. Function sequence and possible faults.....	29
			14. Checking the static and supply pressure.....	31
			15. Setting the maximum output.....	32
			16. Checking the balanced flue system for tightness (annular gap check).....	33
			17. Burner removal.....	34
			18. Checking the burner gasket and the burner gauze assembly.....	35
			19. Checking and adjusting the ignition and ionisation electrodes.....	36
			20. Cleaning the heat exchanger and installing the burner.....	36
				21

Steps - commissioning, inspection and... (cont.)

			Page
		Commissioning steps	
		Inspection steps	
		Maintenance steps	
	•	21. Checking the condensate drain and cleaning the siphon.....	38
		22. Checking the neutralising system (if installed)	
•		23. Checking the anode connection.....	38
		24. Testing the anode earth current with an anode tester	39
		25. Draining the boiler on the DHW side.....	41
		26. Cleaning the primary store.....	42
		27. Checking and replacing the magnesium anode (if required).....	43
		28. Returning the primary store into use.....	43
	•	29. Checking the diaphragm expansion vessel and system pressure.....	44
		30. Checking the pre-charge pressure and the DHW expansion vessel (if installed).....	45
•	•	31. Checking the function of safety valves	
•	•	32. Checking electrical connections for tightness	
•	•	33. Checking all gas equipment for tightness at operating pressure.....	45
•		34. Checking the combustion quality.....	45
•	•	35. Checking the external LPG safety valve (if installed)	
•		36. Matching the control unit to the heating system	47
•		37. Adjusting the heating curves (only for weather-compensated control units).....	53
•		38. Connecting the control unit to the LON system (only for weather-compensated control units).....	56
	•	39. Scanning and resetting the "Service" display.....	58
•	•	40. Fitting the front panels.....	60
•		41. Instructing the system user.....	60

Further details regarding the individual steps

Removing the front panels

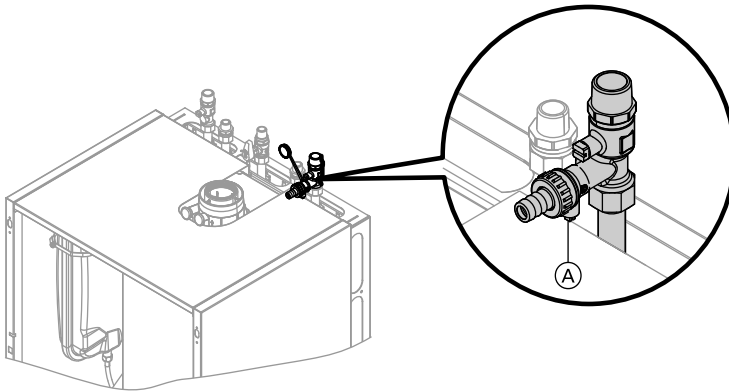
See page 11, steps 1 to 5.

Filling the heating system



Please note

- Unsuitable fill water increases the level of deposits and corrosion and may lead to boiler damage.
 - Thoroughly flush the entire heating system prior to filling it with water.
 - Only use fill water of potable quality.
 - Soften fill water with hardness exceeding 3.0 mmol/l e.g. by means of a small softening system for heating water (see Vitoset price list).
 - An antifreeze additive suitable for heating systems can be added to the fill water.



Shown with connection set for finished walls (accessory)

1. Check the pre-charge pressure of the diaphragm expansion vessel.
2. Close the gas shut-off valve.
3. Fill heating system via boiler drain & fill valve (A) in the heating return (at the connection set on the side or above the boiler). (Minimum system pressure > 1.0 bar).



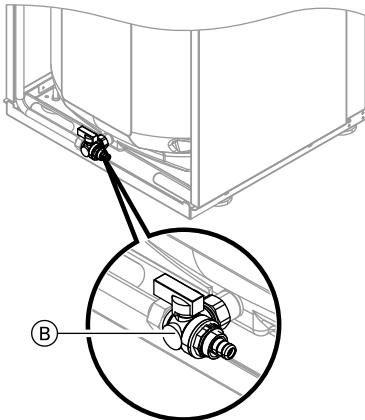
Further details regarding the individual steps (cont.)

Note

If the control unit has not been switched ON prior to filling the system, then the servomotor of the diverter valve will still be in its central position, and the system will be completely filled.

Note

Lever on valve (B) must be in the "l.h." position.



4. If the control unit had already been switched ON before filling began: Switch control unit ON and activate filling program (see next steps).

Note

For function and details of the fill program, see page 138.

5. Close boiler drain & fill valve (A).

Activating filling function with weather-compensated control units:

1. Press **OK** and **≡**: simultaneously for approx. 4 s.
2. "Service functions"
3. "Filling"
4. Ending filling function:
Press **OK** or **↵**.

Activating filling function with constant temperature control units:

1. Press **OK** and **≡**: simultaneously for approx. 4 s.
2. Select **▶** "④" and confirm with **OK**.
The display shows "bF on" when the filling function is activated.
3. Ending filling function:
Press **↵**.

Further details regarding the individual steps (cont.)

Selecting the language (if required) – only for weather-compensated control units

Note

At the commissioning stage, the display is in German (default setting)

Extended menu:

1. 

2. "Settings"

3. "Language"

Sprache	
Deutsch	DE <input checked="" type="checkbox"/>
Cesky	CZ <input type="checkbox"/>
Dansk	DK <input type="checkbox"/>
English	GB <input type="checkbox"/>
Wählen mit 	

4. Set the required language with ▲/▼.

Setting the time and date (if required) – only for weather-compensated control units

During commissioning, or after prolonged time out of use, the time and date need to be reset.

Extended menu:

1. 

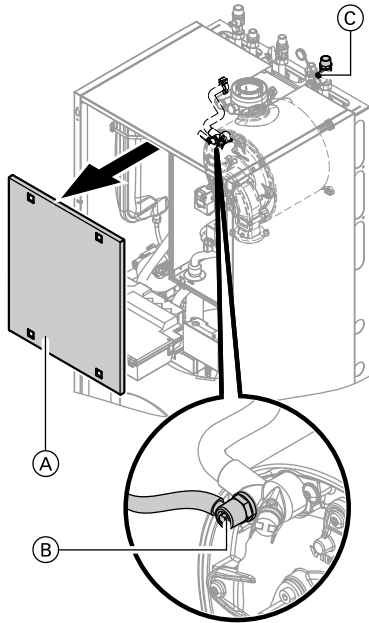
2. "Settings"

3. "Time / Date"

4. Set current time and date.

Further details regarding the individual steps (cont.)

Venting the boiler



1. Close the shut-off valves on the heating water side.
2. Remove cover panel (A).
3. Connect the drain hose on valve (B) with a drain.
4. Open air vent valve (B) and fill valve (C) in the heating return and vent using mains pressure (flush) until no more air noise can be heard.
5. Close valve (B) and fill valve (C) in the heating return, and open the shut-off valves on the heating water side.

Venting the heating system

1. Close the gas shut-off valve and switch the control unit ON.
2. Activate venting program (see next steps).

Note

For function and sequence of the venting program, see page 138.

3. Check the system pressure.

Activating venting function with weather-compensated control unit:

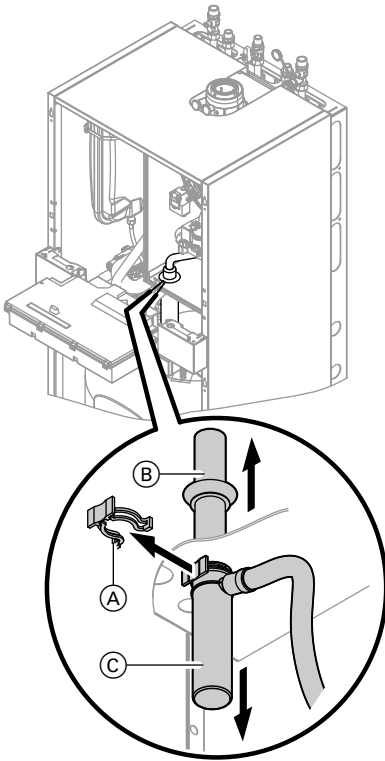
1. Press **OK** and **≡** simultaneously for approx. 4 s.
2. "Service functions"
3. "Venting"
4. Ending venting function:
Press **OK** or **↶**.

Further details regarding the individual steps (cont.)

Activating venting function with constant temperature control unit:

1. Press **OK** and **≡** simultaneously for approx. 4 s.
2. Select ► "⑤" and confirm with **OK**. When the venting function is activated, "**EL on**" is shown on the display.
3. Ending venting function: Press **↶**.

Filling the siphon with water



1. Pivot control unit forward.
2. Pull retaining clip (A) off.
3. Pull filler pipe (B) upwards.
4. Pull off trap (C) downwards.
5. Fill siphon with water and reassemble.



Further details regarding the individual steps (cont.)

6. Check that the condensate pipe is connected correctly to the siphon and heat exchanger.
7. Refit cover panel.
8. Secure control unit back in operating position.

Designating heating circuits – only for weather-compensated control units

In the delivered condition, the heating circuits are designated "**Heating circuit 1**", "**Heating circuit 2**" and "**Heating circuit 3**" (if installed).

If the system user prefers, the heating circuits can be designated differently to suit the specific system.



Enter names for heating circuits:
Operating instructions

Checking the gas type

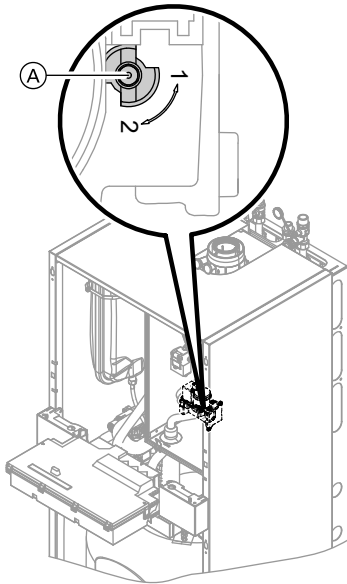
The boiler is equipped with an electronic combustion controller that adjusts the burner for optimum combustion in accordance with the prevailing gas quality.

- Consequently, for natural gas there is no adjustment required across the entire Wobbe index range.
The boiler can be operated in the Wobbe index range 9.5 to 15.2 kWh/m³ (34.2 to 54.7 MJ/m³).
- Convert the burner for operation with LPG (see "Gas type conversion" on page 29).

1. Determine the gas type and Wobbe index by asking your local gas supply utility or LPG supplier.
2. Convert the burner for operation with LPG (see page 29).
3. Record the gas type in the service report on page 157.

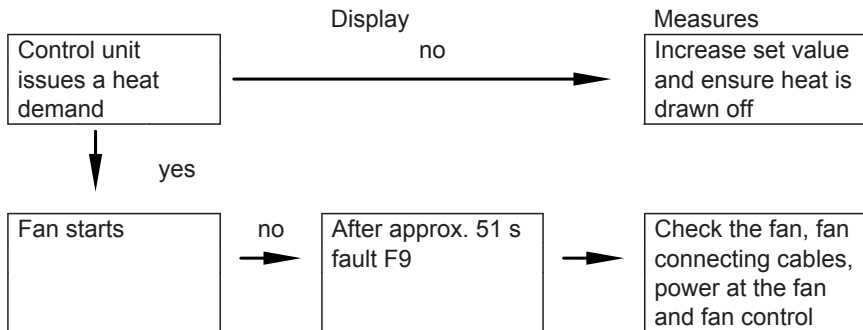
Further details regarding the individual steps (cont.)

Gas type conversion (only for operation with LPG)



1. Set adjusting screw (A) at the gas train to "2".
2. Switch ON/OFF switch (I) ON.
3. Select the gas type in coding address "82".
 - Call up code 2.
 - Call up **"General"** (weather-compensated control units) or Group **"1"** (constant temperature control units).
 - In coding address "11", select value "9".
 - In coding address "82", select value "1" (LPG operation).
 - In code "11" select value ≠ "9".
 - End service functions.
4. Open the gas shut-off valve.
5. Affix label "G31" (supplied with the technical documentation) adjacent to the type plate on the cover panel.

Function sequence and possible faults

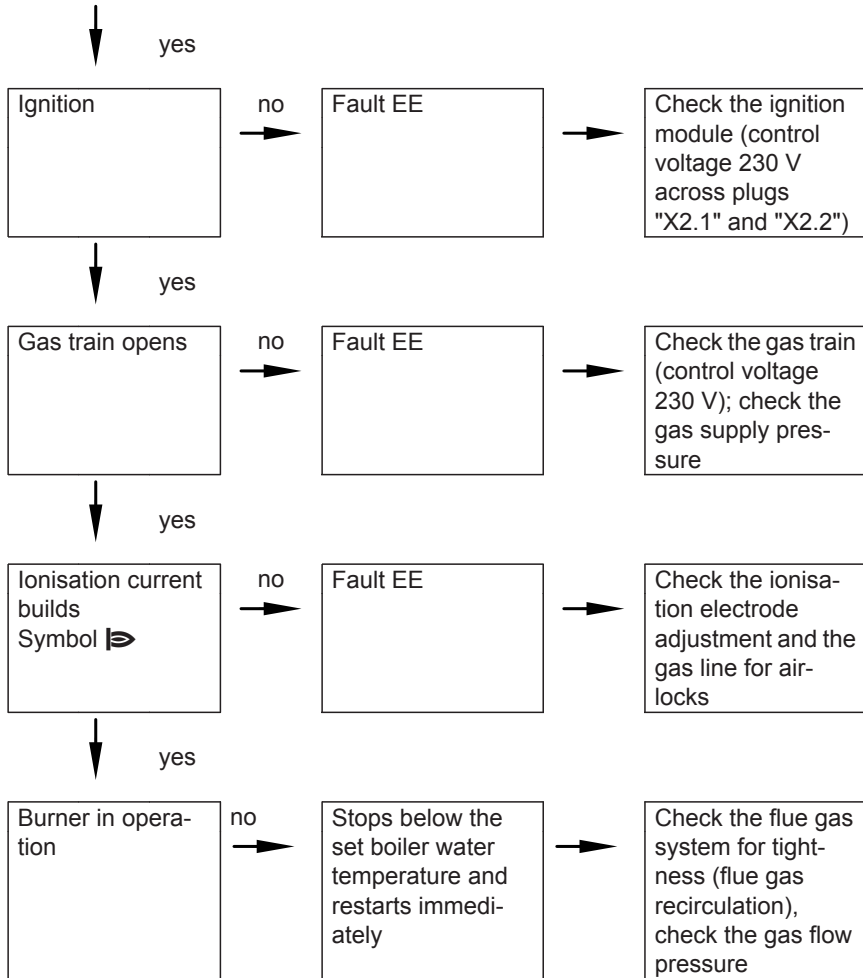


5457 552 GB

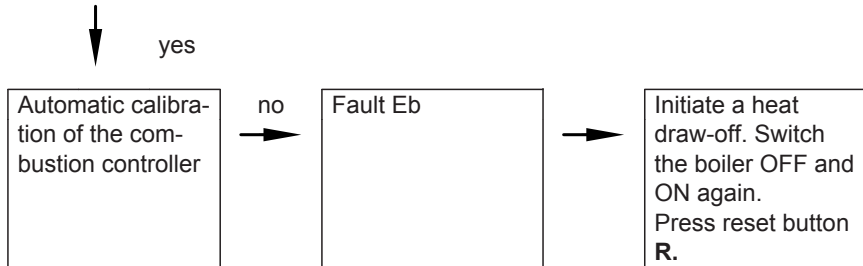
Service



Further details regarding the individual steps (cont.)



Further details regarding the individual steps (cont.)



For further fault details, see page 102.

Checking the static and supply pressure



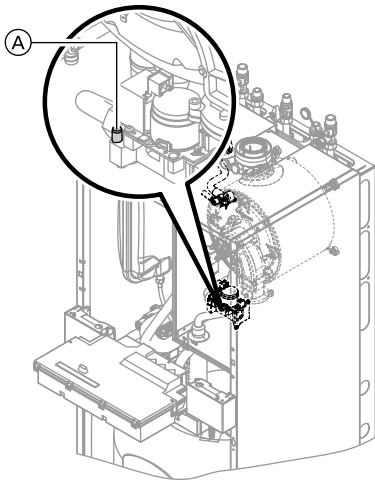
Danger

CO build-up as a result of an incorrect burner setup can have serious health implications.

Carry out a CO test prior to and after work on gas equipment.

Operation with LPG

Flush the LPG tank twice during commissioning/replacement. Vent the tank and gas supply lines thoroughly after flushing.



1. Close the gas shut-off valve.
2. Release the screw inside test nipple "PE" (A) at the gas train but do not remove it; then connect the pressure gauge.
3. Open the gas shut-off valve.
4. Measure the static pressure and record it in the service report on page 157.
Set value: max. 57.5 mbar

Service



Further details regarding the individual steps (cont.)

5. Start the boiler.

Note

*During commissioning, the boiler can enter a fault state because of airlocks in the gas line. After approx. 5 s, press the reset button **R** (see operating instructions) to reset the burner.*

6. Check the supply (flow) pressure.

Set value:

- Natural gas: 20 mbar
- LPG: 50 mbar

Note

Use suitable test equipment with a resolution of at least 0.1 mbar to measure the supply pressure.

7. Record the actual value in the service report on page 157.

Take the action shown in the following table.

8. Shut down the boiler, close the gas shut-off valve, remove the pressure gauge and close test nipple **(A)** with the screw.

9. Open the gas shut-off valve and start the boiler.



Danger

Gas escaping from the test nipple leads to a risk of explosions.

Check test nipple **(A)** for tightness.

Supply (flow) pressure for natural gas	Supply (flow) pressure for LPG	Measures
below 17.4 mbar	below 42.5 mbar	Do not start the boiler. Notify your gas supply utility or LPG supplier.
17.4 to 25 mbar	42.5 to 57.5 mbar	Start the boiler.
above 25 mbar	above 57.5 mbar	Install a separate gas pressure governor upstream of the system and regulate the pre-charge pressure to 20 mbar for natural gas or 50 mbar for LPG. Notify your gas supply utility or LPG supplier.

Setting the maximum output

You can limit the maximum output for **heating operation**. The limit is set via the modulation range. The max. adjustable heating output is limited upwards by the boiler coding card.

Weather-compensated control unit:

1. Press **OK** and simultaneously for approx. 4 s.

2. "Service functions"

- 3. "Max. output"**

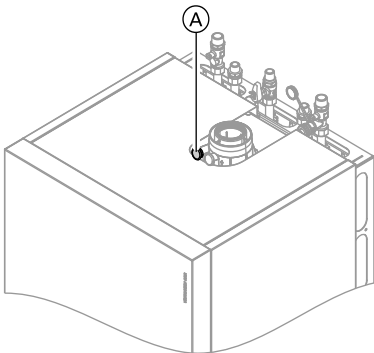
Further details regarding the individual steps (cont.)

- 4. **"Change?"** Select **"Yes"**.
A value flashes on the display (e.g. "85"). In the delivered condition, this value represents 100 % of rated output.
- 5. Select required value.
- 2. Select ▶ **"③"** and confirm with **OK**.
A value flashes on the display (e.g. "85") and **"▶"** appears. In the delivered condition, this value represents 100 % of rated output.
- 3. Select required value and confirm with **OK**.

Constant temperature control unit:

- 1. Press **OK** and **≡** simultaneously for approx. 4 s.

Checking the balanced flue system for tightness (annular gap check)



Ⓐ Combustion air aperture (ventilation air)

For balanced flue systems tested together with the wall mounted gas fired boiler, the requirement for a tightness test during commissioning by the flue gas inspector is not applicable.

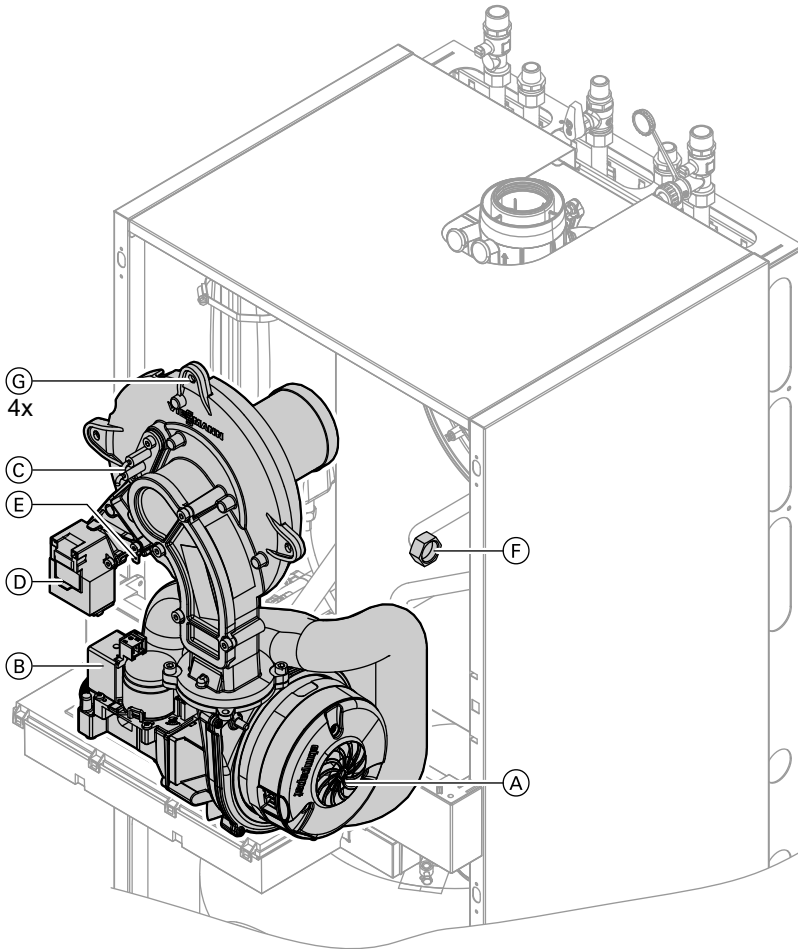
We recommend that your heating engineer carries out a simple leak/tightness test during the commissioning of your system. For this, it would be sufficient to check the CO₂ or O₂ concentration in the combustion air at the annular gap of the balanced flue pipe.


The flue pipe is deemed to be gas-tight if the CO₂ concentration in the combustion air is no higher than 0.2 % or the O₂ concentration is at least 20.6 %.

If actual CO₂ values are higher or O₂ values are lower, then pressure test the flue pipe with a static pressure of 200 Pa.

Further details regarding the individual steps (cont.)

Burner removal



1. Switch ON/OFF switch  at the control unit and the main power supply OFF.

2. Close the gas shut-off valve and safeguard against reopening.

Further details regarding the individual steps (cont.)

3. Pull electrical cables from fan motor (A), gas valve (B), ionisation electrode (C), ignition unit (D) and earth tab (E).
4. Release gas supply pipe fitting (F).
5. Release four nuts (G) and remove the burner.



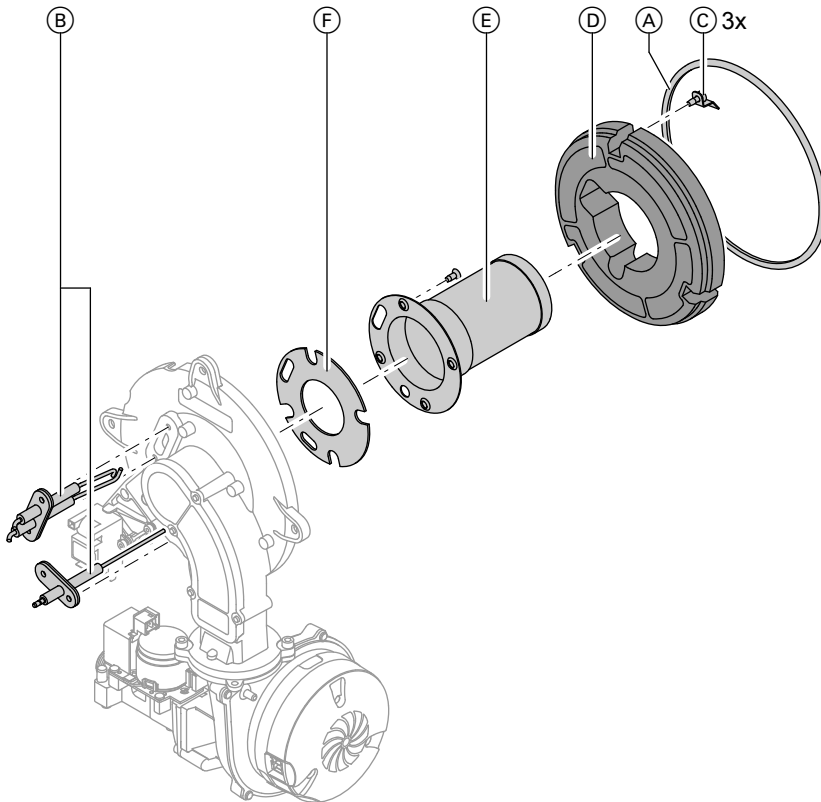
Please note

Prevent damage to the wire gauze.

Never rest the burner on the gauze assembly.

Checking the burner gasket and the burner gauze assembly

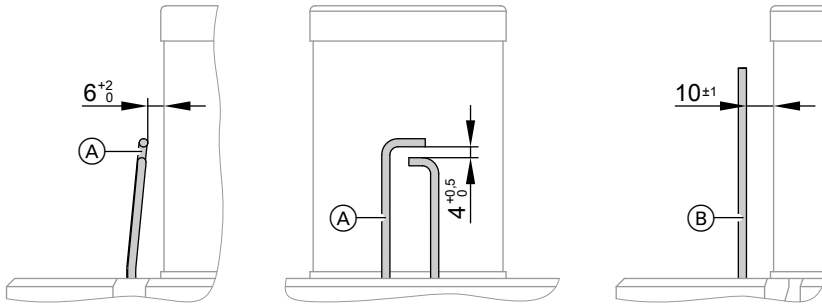
Check burner gasket (A) and burner gauze assembly (E) for damage and replace, if required.



Further details regarding the individual steps (cont.)

1. Remove electrodes (B).
2. Undo three retaining clips (C) at thermal insulation ring (D) and remove thermal insulation ring (D).
3. Undo four Torx screws and remove burner gauze assembly (E) with its gasket (F).
4. Insert and secure a new burner gauze assembly (E) with a new gasket (F).
Torque: 3.5 Nm.
5. Refit thermal insulation ring (D).
6. Refit electrodes (B).
Torque: 2.5 Nm.

Checking and adjusting the ignition and ionisation electrodes



(A) Ignition electrodes

(B) Ionisation electrode

1. Check the electrodes for wear and contamination.
2. Clean the electrodes with a small brush (not with a wire brush) or sand paper.
3. Check the electrode gaps. If the gaps are not as specified or the electrodes are damaged, replace and align the electrodes together with new gaskets. Tighten the electrode fixing screws with 2.5 Nm.

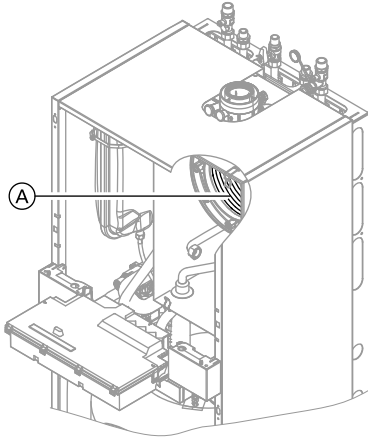
Cleaning the heat exchanger and installing the burner



Please note

Scratches on parts that are in contact with flue gas can lead to corrosion.
Never use brushes to clean the heat exchanger.

Further details regarding the individual steps (cont.)



1. Use a vacuum cleaner to remove residues from heat exchanger (A) inside the combustion chamber.
2. If required, spray slightly acidic, chloride-free cleaning agents based on phosphoric acid onto heat exchanger (A) and let the solution soak in for approx. 20 min.
3. Thoroughly flush heat exchanger (A) with water.
4. Install the burner. Fit the screw with a serrated washer and the remaining screws, then torque diagonally with 4 Nm.
5. Fit the gas supply pipe with a new gasket.
6. Check the gas connections for tightness.



Danger

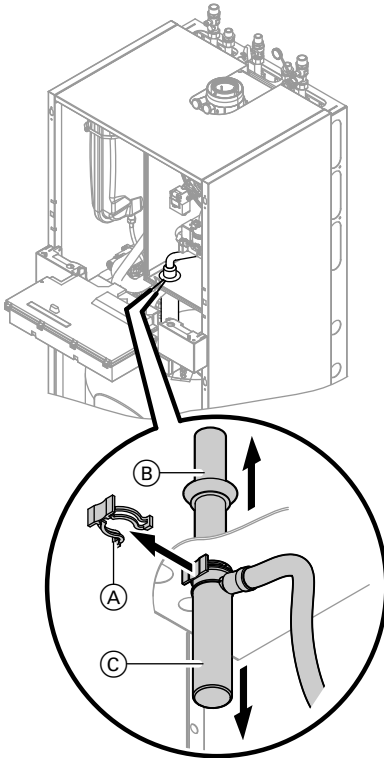
Escaping gas leads to a risk of explosion.

Check all fittings for gas tightness.

7. Connect the electrical cables/leads to each corresponding component.

Further details regarding the individual steps (cont.)

Checking the condensate drain and cleaning the siphon

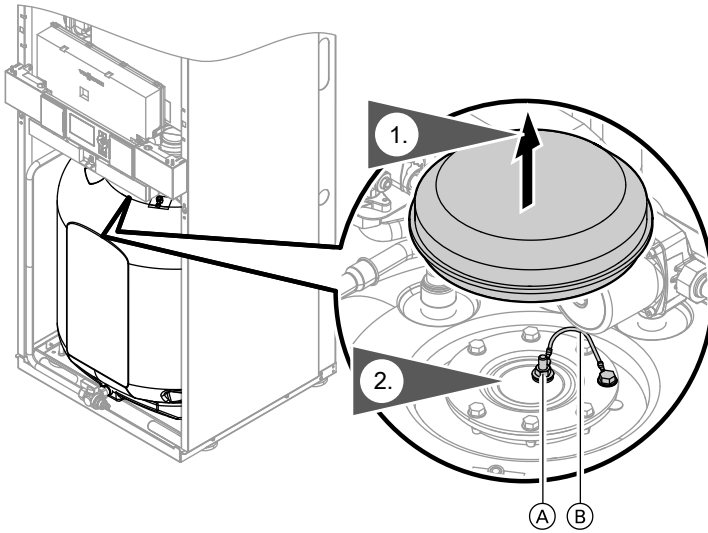


1. Check that the condensate can drain freely at the siphon.
2. Pull retaining clip (A) off.
3. Pull filler pipe (B) upwards.
4. Pull off trap (C) downwards.
5. Pull the condensate hose from trap (C).
6. Clean the siphon.
7. Fill siphon with water and reassemble.
8. Check that the condensate pipe is connected correctly to the siphon and heat exchanger.

Checking the anode connection

Check that the earth lead is connected to the magnesium anode.

Further details regarding the individual steps (cont.)



Ⓐ Magnesium anode

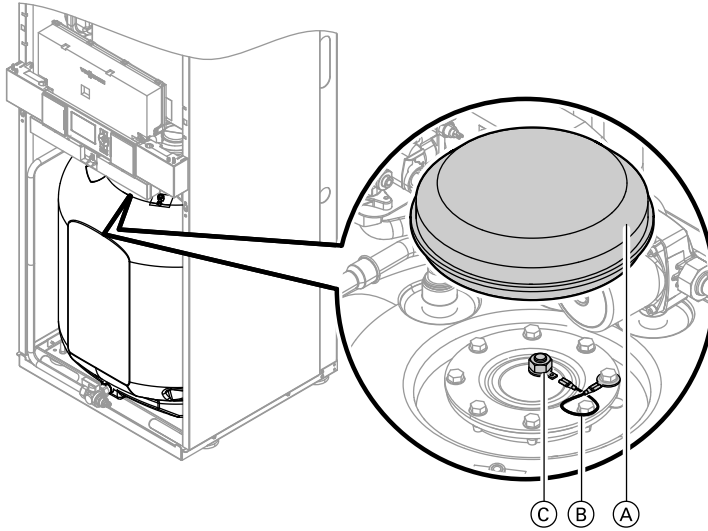
Ⓑ Earth cable

Testing the anode earth current with an anode tester

Note

We recommend that the magnesium anode function is checked annually. This function test can be carried out without interrupting operation, by measuring the earth current with an anode tester.

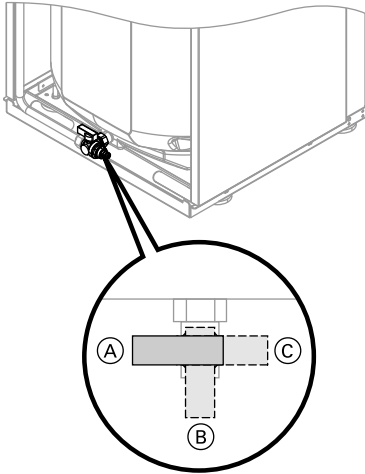
Further details regarding the individual steps (cont.)



1. Remove cover (A).
2. Pull earth lead (B) from tab (C).
3. Connect the tester (up to 5 mA) in series between tab (C) and earth cable (B).
 - The anode is OK if the indicated current is > 0.3 mA.
 - Visually inspect the anode if the current measures < 0.3 mA, or if there is no current at all (see page 43).

Further details regarding the individual steps (cont.)

Draining the boiler on the DHW side



1. Connect hose to drain valve and route into a suitable container or drain outlet.

Note

Ensure adequate ventilation in the DHW pipework.

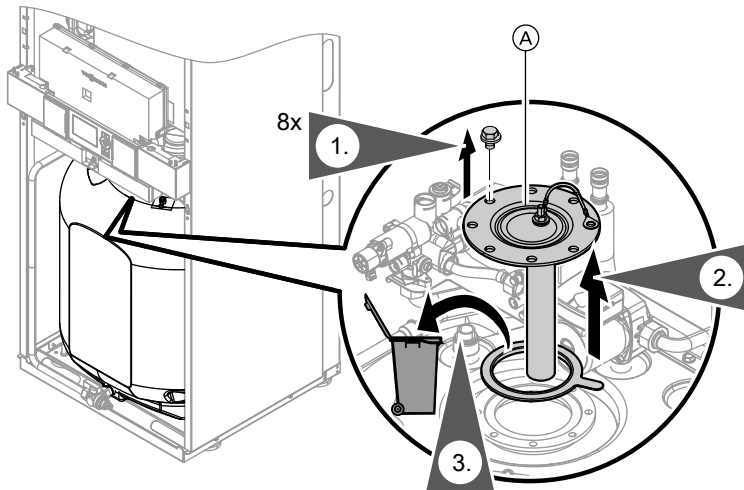
2. Turn drain valve from lever position (A) to lever position (B) or (C) as required.
 - Lever position (B): Drain heating system **excluding** cylinder via the cold water connection.
 - Lever position (C): Drain heating system **and** cylinder via the DHW connection. Cold water connection remains filled.

Further details regarding the individual steps (cont.)

Cleaning the primary store

Note

EN 806 specifies a visual inspection and (if required) cleaning every two years after the cylinder has been taken into use and thereafter according to requirements.



1. Drain the primary store.
2. Remove flange lid (A).
3. Disconnect the primary store from the pipework to prevent contamination from entering the pipe system.
4. Remove loose deposits with a high pressure cleaner.
5. Use a chemical cleaning agent to remove hard deposits that cannot be removed by a high pressure cleaner.
6. Thoroughly flush the primary store after cleaning.



Please note

When cleaning the inside, only use plastic cleaning utensils.



Please note

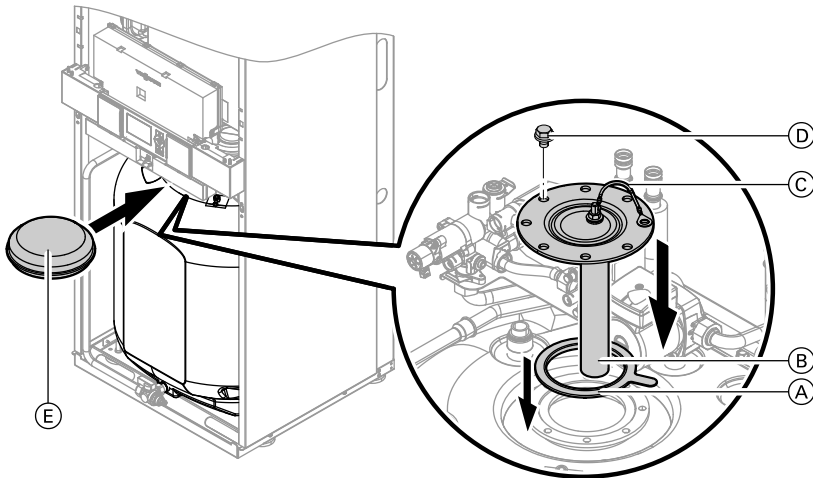
Never use hydrochloric acid based cleaning agents.

Further details regarding the individual steps (cont.)

Checking and replacing the magnesium anode (if required)

Check the magnesium anode. If it is discovered that the anode has degraded to 10 to 15 mm Ø, we recommend replacing the magnesium anode.

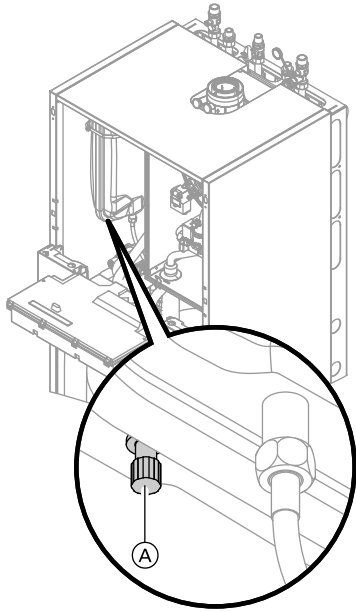
Returning the primary store into use



1. Reconnect the primary store to the pipework.
2. Insert new gasket (A) underneath flange lid (B).
3. Fit flange lid (B) and tighten eight screws (D) with up to 25 Nm.
4. Push earth cable (C) onto tab.
5. Fit cover (E).
6. Fill the primary store with drinking water.

Further details regarding the individual steps (cont.)

Checking the diaphragm expansion vessel and system pressure



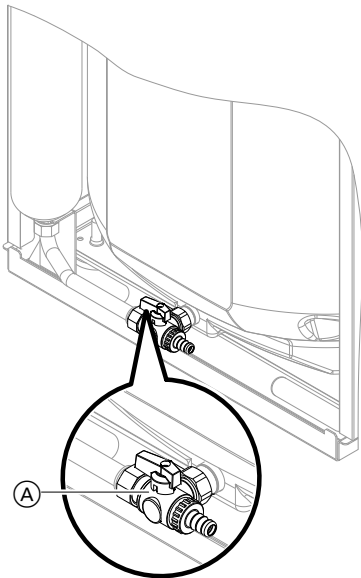
Note

Carry out this test on a cold system.

1. Drain the system, until the pressure gauge indicates "0".
2. If the diaphragm expansion vessel inlet pressure is lower than the static system pressure: Top up with nitrogen via connection (A), until the inlet pressure is 0.1 to 0.2 bar.
3. Top up your heating system with water and vent until the filling pressure of a cooled system is 0.1 to 0.2 bar higher than the inlet pressure of the diaphragm expansion vessel.
Permiss. operating pressure: 3 bar

Further details regarding the individual steps (cont.)

Checking the pre-charge pressure and the DHW expansion vessel (if installed)



1. Check the static pressure of the DHW line downstream of the pressure reducer and adjust if required. Set value: max. 3.0 bar
2. Close the on-site shut-off valve in the cold water line.
3. Turn lever on valve (A) to the "front" position.
4. Check the pre-charge pressure of the DHW expansion vessel and adjust if required. Set value: Static pressure minus 0.2 bar
5. Turn lever on valve (A) back to the "l.h." position and open the on-site shut-off valve in the cold water line.

Checking all gas equipment for tightness at operating pressure



Danger
Escaping gas leads to a risk of explosion.
Check gas equipment for tightness.

Note
*For the tightness test, use only suitable and approved leak detecting agents (EN 14291) and devices. Leak detecting agents with unsuitable constituents (e.g. nitrites, sulphides) can lead to material damage.
Remove residues of the leak detecting agent after testing.*

Checking the combustion quality

The electronic combustion controller automatically ensures an optimum combustion quality. Only the combustion values need to be checked during commissioning and maintenance. For this, check the CO₂ or O₂ content. For a description of the electronic combustion controller functions, see page 144.

Further details regarding the individual steps (cont.)

Note

Operate the appliance with uncontaminated combustion air to prevent operating faults and damage.

CO₂ or O₂ content

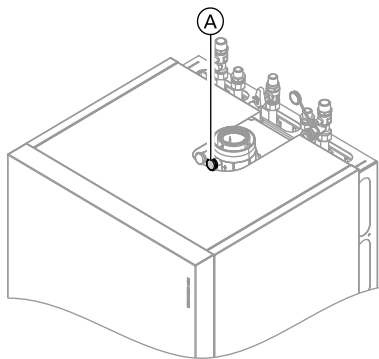
- The CO₂ content must be within the following limits (upper and lower output):
 - 7.7 to 9.2 % for natural gas E and LL
 - 9.3 to 10.9 % for LPG P
- For all gas types, the O₂ content must be between 4.4 % and 6.9 %.

If the actual CO₂ or O₂ values lie outside their respective ranges, proceed with the following steps:

- Checking the balanced flue system for tightness, see page 33.
- Checking the ionisation electrode and connecting cable, see page 36.

Note

During commissioning, the combustion controller carries out an automatic calibration. Only test the emissions approx. 30 s after the burner has started.



1. Connect a flue gas analyser at flue gas aperture (A) on the boiler flue connection.
2. Open the gas shut-off valve, start the boiler and create a heat demand.
3. Select the lower output (see page 47).
4. Check the CO₂ content. Should the actual value deviate from the above ranges by more than 1 %, implement steps from page 45.
5. Enter actual values into the service report.
6. Select the upper output (see page 47).
7. Check the CO₂ content. Should the actual value deviate from the above ranges by more than 1 %, implement steps from page 45.
8. After testing, press **OK**.
9. Enter actual values into the service report.

Further details regarding the individual steps (cont.)

Selecting the upper/lower output for weather-compensated control units:

1. Press **OK** and **≡** simultaneously for approx. 4 s.
2. "Actuator test"
3. Select the lower output:
Select "**Base load**" "**ON**" and confirm with **OK**.
4. Select the upper output:
Select "**Full load**" "**ON**" and confirm with **OK**.
2. Select **▶** "☐" and confirm with **OK**.
The display shows "I" and "on" flashes.
3. Select the lower output:
Press **OK**, "on" will be displayed permanently.
4. Select the upper output:
Press **↶**.
5. Select "**2**" with **▶** and confirm with **OK**.
6. Exit output selection with **↶**.

Selecting the upper/lower output for constant temperature control units:

1. Press **OK** and **≡** simultaneously for approx. 4 s.
"☐" flashes on the display.

Matching the control unit to the heating system

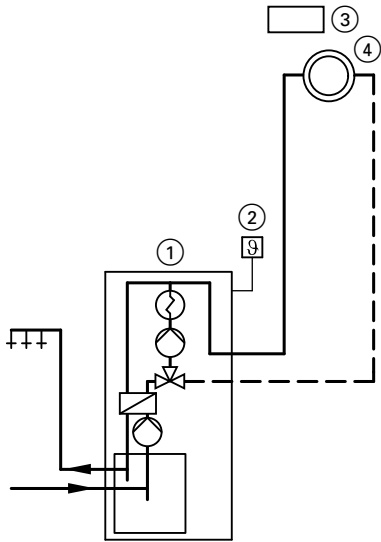
Subject to the equipment level, the control unit must be matched to the system. Various system components are recognised automatically by the control unit and the relevant codes are adjusted automatically.

- For the selection of an appropriate scheme, see the following diagrams.
- For coding steps, see page 61.

Further details regarding the individual steps (cont.)

System version 1

One heating circuit without mixer A1



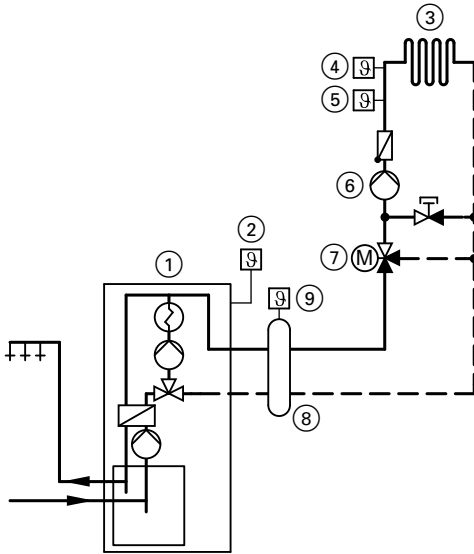
- ① Vitodens 222-F
- ② Outside temperature sensor (only for weather-compensated control units)
- ③ Vitotrol 100 (only for constant temperature control units)
- ④ Heating circuit without mixer A1 (heating circuit 1)

Function/system components	Code	
	Adjust	Delivered condition
Operation with LPG	82:1	82:0
System with DHW circulation pump: DHW circulation pump connection at extension AM1, terminal A2	—	34:0

Further details regarding the individual steps (cont.)

System version 2

One heating circuit with mixer M2 and a low loss header



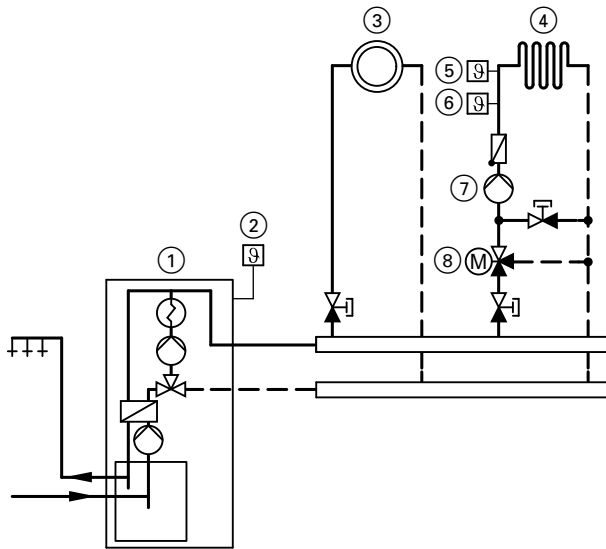
- | | |
|--|---|
| ① Vitodens 222-F | ⑤ Flow temperature sensor M2 |
| ② Outside temperature sensor | ⑥ Heating circuit pump M2 |
| ③ Heating circuit with mixer M2 (heating circuit 2) | ⑦ Extension kit for one heating circuit with mixer M2 |
| ④ Temperature limiter for limiting the maximum temperature of underfloor heating systems | ⑧ Low loss header |
| | ⑨ Flow temperature sensor, low loss header |

Function/system components	Code	
	Adjust	Delivered condition
Operation with LPG	82:1	82:0
System only with one heating circuit with mixer with extension kit for mixer (without unregulated heating circuit) with DHW heating	00:4	00:6
System with DHW circulation pump: DHW circulation pump connection at extension AM1, terminal A2	—	34:0

Further details regarding the individual steps (cont.)

System version 3

One heating circuit without mixer A1 and one heating circuit with mixer M2



- ① Vitodens 222-F
- ② Outside temperature sensor
- ③ Heating circuit without mixer A1 (heating circuit 1)
- ④ Heating circuit with mixer M2 (heating circuit 2)
- ⑤ Temperature limiter for limiting the maximum temperature of underfloor heating systems
- ⑥ Flow temperature sensor M2
- ⑦ Heating circuit pump M2
- ⑧ Extension kit for one heating circuit with mixer M2

Note

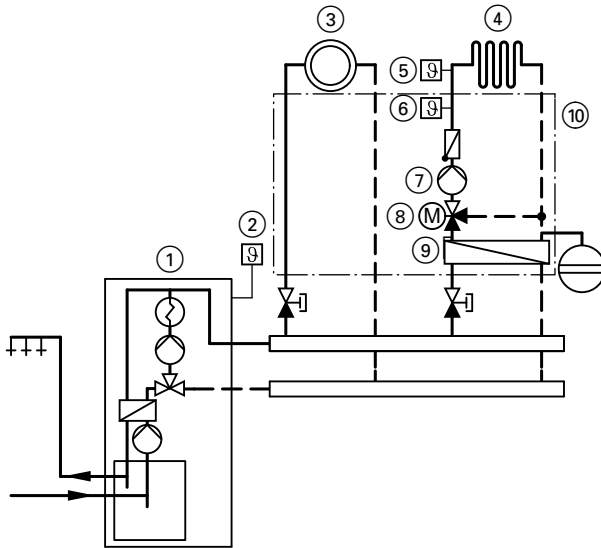
The flow rate of the heating circuit without mixer must be at least 30 % greater than the flow rate of the heating circuit with mixer.

Further details regarding the individual steps (cont.)

Function/system components	Code	
	Adjust	Delivered condition
Operation with LPG	82:1	82:0
System only with one heating circuit with mixer with extension kit for mixer (without unregulated heating circuit) with DHW heating	00:4	00:6
System with DHW circulation pump: DHW circulation pump connection at extension AM1, terminal A2	—	34:0

System version 4

One heating circuit without mixer A1, one heating circuit with mixer M2 and system separation



- ① Vitodens 222-F
- ② Outside temperature sensor
- ③ Heating circuit without mixer A1 (heating circuit 1)
- ④ Heating circuit with mixer M2 (heating circuit 2)
- ⑤ Temperature limiter for limiting the maximum temperature of underfloor heating systems
- ⑥ Flow temperature sensor M2
- ⑦ Heating circuit pump M2
- ⑧ Extension kit for one heating circuit with mixer M2

5457 552 GB

Service



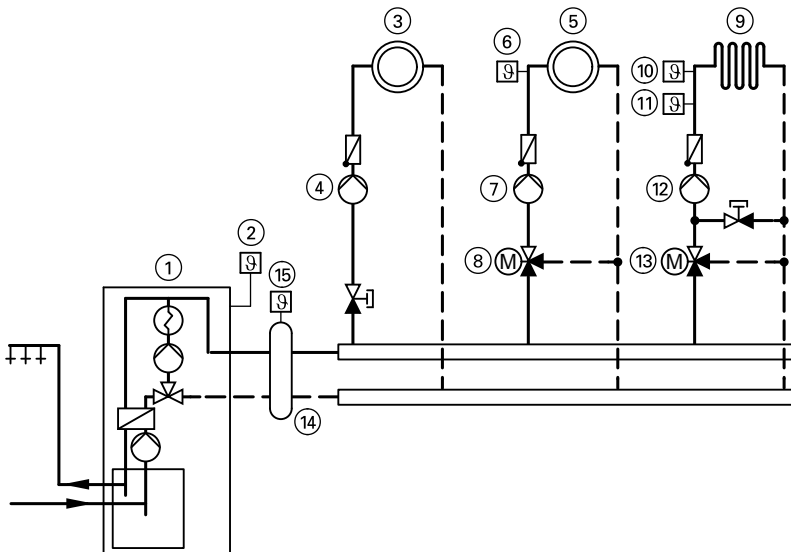
Further details regarding the individual steps (cont.)

- ⑨ Heat exchanger for system separation
- ⑩ Assembly kit with mixer (accessory)

Function/system components	Code	
	Adjust	Delivered condition
Operation with LPG	82:1	82:0
System only with one heating circuit with mixer with extension kit for mixer (without unregulated heating circuit) with DHW heating	00:4	00:6
System with DHW circulation pump: DHW circulation pump connection at extension AM1, terminal A2	—	34:0

System version 5

One heating circuit without mixer, one heating circuit with mixer M2 (with extension kit), one heating circuit with mixer M3 (with extension kit) and low loss header (with/without DHW heating)



- ① Vitodens 222-F
- ② Outside temperature sensor
- ③ Heating circuit without mixer A1 (heating circuit 1)

Further details regarding the individual steps (cont.)

- | | |
|--|---|
| ④ Heating circuit pump A1 | ⑪ Flow temperature sensor M3 |
| ⑤ Heating circuit with mixer M2 (heating circuit 2) | ⑫ Heating circuit pump M3 |
| ⑥ Flow temperature sensor M2 | ⑬ Extension kit for one heating circuit with mixer M3 |
| ⑦ Heating circuit pump M2 | ⑭ Low loss header |
| ⑧ Extension kit for one heating circuit with mixer M2 | ⑮ Flow temperature sensor, low loss header |
| ⑨ Heating circuit with mixer M3 (heating circuit 3) | |
| ⑩ Temperature limiter for limiting the maximum temperature of underfloor heating systems | |

Function/system components	Code	
	Adjust	Delivered condition
Operation with LPG	82:1	82:0
System only with two heating circuits with mixer with extension kit for mixer (without unregulated heating circuit) with DHW heating	00:8	00:10
Heating circuit pump A1 connection at extension AM1, terminal A1	—	33:1
DHW circulation pump connection at extension AM1, terminal A2	—	34:0

Adjusting the heating curves (only for weather-compensated control units)

The heating curves illustrate the relationship between the outside temperature and the boiler water or flow temperature.

To put it simply, the lower the outside temperature, the higher the boiler water or flow temperature.

The room temperature, again, depends on the boiler water or the flow temperature.

Note

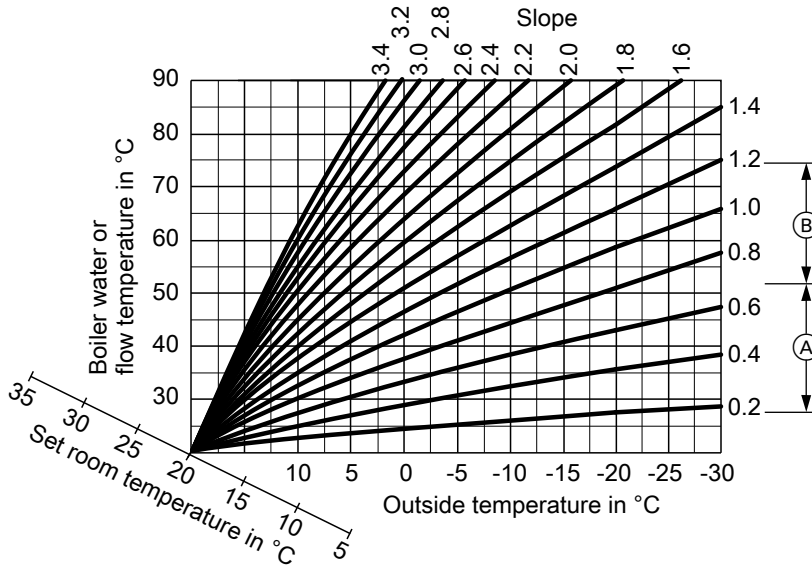
If the heating system includes heating circuits with mixers, then the flow temperature of the heating circuit without mixer is higher by a selected differential (8 K in the delivered condition) than the flow temperature of the heating circuits with mixers.

The differential temperature can be changed at coding address 9F.

Settings in the delivered condition:

- Slope = 1.4
- Level = 0

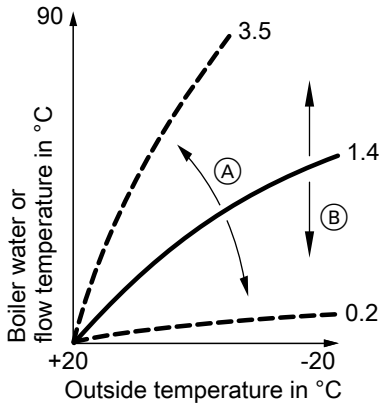
Further details regarding the individual steps (cont.)



- Ⓐ Heating curve slope for underfloor heating systems
- Ⓑ Heating curve slope for low temperature heating systems (according to the Energy Savings Order [Germany])


Further details regarding the individual steps (cont.)

Changing the slope and level



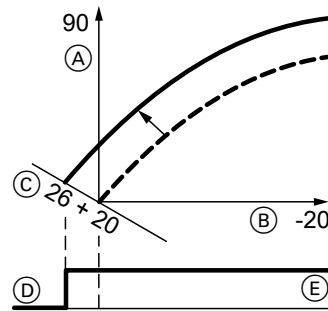
- (A) Changing the slope
- (B) Changing the level (vertical parallel offset of the heating curve)

Extended menu:

1. 
2. "Heating"
3. Select heating circuit.
4. "Heating curve"
5. "Slope" or "Level"
6. Select heating curve according to the system requirements.

Adjusting the set room temperature


Standard room temperature



Example 1: Adjustment of the standard room temperature from 20 to 26°C

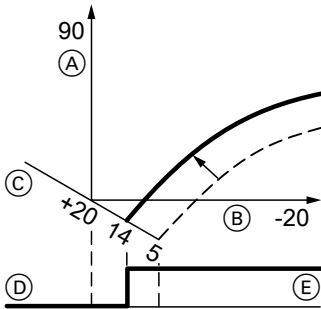
- (A) Boiler water temperature or flow temperature in °C
- (B) Outside temperature in °C
- (C) Set room temperature in °C
- (D) Heating circuit pump "OFF"
- (E) Heating circuit pump "ON"

Adjustment of the standard room temperature:

 Operating instructions

Further details regarding the individual steps (cont.)

Reduced room temperature



- (C) Set room temperature in °C
- (D) Heating circuit pump "OFF"
- (E) Heating circuit pump "ON"

Adjustment of the reduced room temperature:



Operating instructions

Example 2: Adjustment of reduced room temperature from 5 °C to 14 °C

- (A) Boiler water temperature or flow temperature in °C
- (B) Outside temperature in °C

Connecting the control unit to the LON system (only for weather-compensated control units)

The LON communication module (accessories) must be plugged in.



Installation instructions
LON communication module

Note

*In the same LON system, the same number **cannot** be allocated twice.*

Only one Vitotronic may be programmed as fault manager.

Note

The data transfer via LON can take several minutes.

Single boiler system with Vitotronic 200-H and Vitocom 300 (example)

Set the LON subscriber numbers and further functions via code 2 (see the following table).

Further details regarding the individual steps (cont.)

Boiler control unit	Vitotronic 200-H	Vitotronic 200-H	Vitocom
Subscriber no. 1 Code "77:1"	Subscriber no. 10 Code "77:10"	Subscriber no. 11 Set code "77:11"	Subscriber no. 99
Control unit is fault manager Code "79:1"	Control unit is not fault manager Code "79:0"	Control unit is not fault manager Code "79:0"	Device is fault manager
Control unit transmits the time Code "7b:1"	The control unit receives the time Set code "81:3"	The control unit receives the time Set code "81:3"	Device receives the time
Control unit transmits outside temperature Set code "97:2"	The control unit receives the outside temperature Set code "97:1"	The control unit receives the outside temperature Set code "97:1"	—
LON subscriber fault monitoring Code "9C:20"	LON subscriber fault monitoring Code "9C:20"	LON subscriber fault monitoring Code "9C:20"	—

Carrying out a LON subscriber check

Communication with the system devices connected to the fault manager is tested with a subscriber check.

Preconditions:

- The control unit must be programmed as **fault manager** (code "79:1")
- The LON subscriber number must be programmed in all control units (see page 57)
- The LON subscriber list in the fault manager must be up to date (see page 57)

2. "Service functions"

3. "Subscriber check"

Carrying out a subscriber check:

1. Press **OK** and simultaneously for approx. 4 s.



Further details regarding the individual steps (cont.)

4. Select subscriber (e.g. subscriber 10).
The subscriber check for the selected subscriber is introduced.
- Successfully tested subscribers are designated with **"OK"**.
 - Unsuccessfully tested subscribers are designated with **"Not OK"**.

Note

To carry out a new subscriber check, create a new subscriber list with menu item **"Delete list?"**

Note

If the subscriber check is carried out by another control unit, the subscriber number and **"Wink"** are shown on the display for approx. 1 min.

Scanning and resetting the "Service" display

After the limits specified in coding addresses "21" and "23" have been reached, the red fault indicator flashes and the following appears on the programming unit display:

- On a constant temperature control unit:
The specified hours run or the specified interval with clock symbol "⌚" (subject to setting) and "✎"
- On a weather-compensated control unit:
"Service" and "✎"

Scanning and resetting service

Press **OK** to acknowledge a service message.


Note

An acknowledged service message that was not reset reappears:

- On a weather-compensated control unit, on the following Monday.
- On a constant temperature control unit, after seven days.

After a service has been carried out (reset service)

Weather-compensated control unit

1. Press **OK** and  simultaneously for approx. 4 s.
2. **"Service functions"**
3. **"Service reset"**

Note

The selected service parameters for hours run and time interval restart at 0.

Further details regarding the individual steps (cont.)

Constant temperature control unit

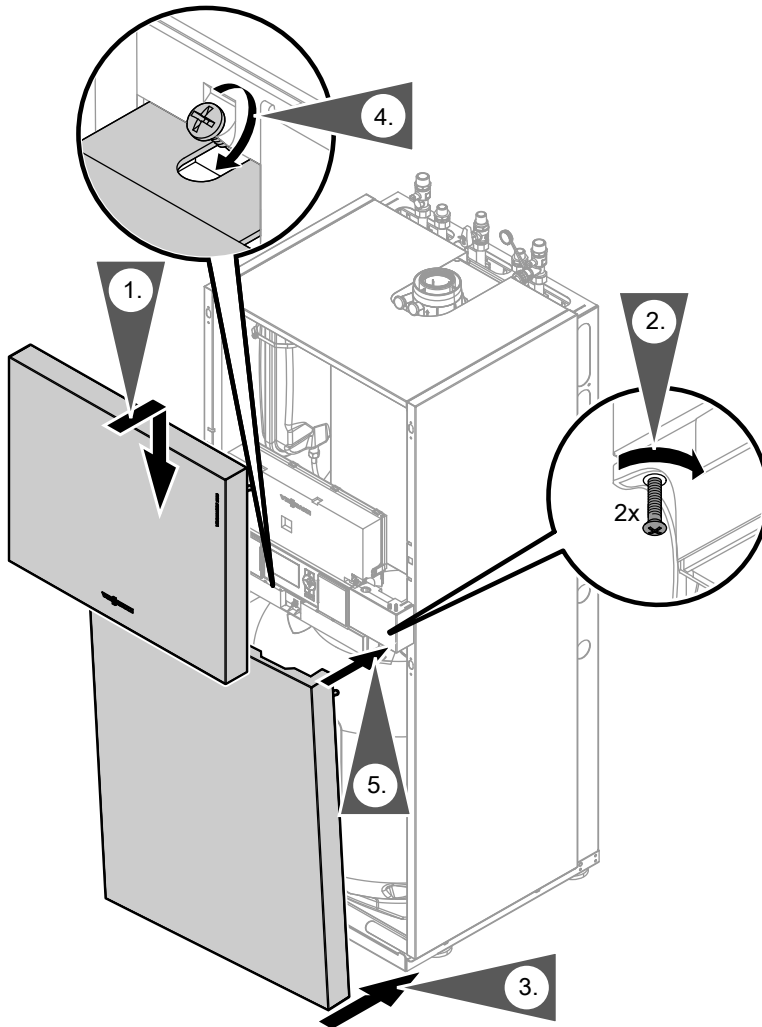
Reset code 24:1 to 24:0.

Note

The selected service parameters for hours run and time interval restart at 0.

Further details regarding the individual steps (cont.)

Fitting the front panels



Instructing the system user


The system installer must hand the operating instructions to the system user and instruct him/her in the operation of the system.

Calling up coding level 1

Note

- On weather-compensated control units, codes are displayed as plain text.
- Codes that have no function due to the heating system equipment level or the setting of other codes are not displayed.
- Heating systems with one heating circuit without mixer and one or two heating circuits with mixer:
The heating circuit without a mixer is designated "**Heating circuit 1**" and the heating circuits with mixer as "**Heating circuit 2**" or "**Heating circuit 3**".
If the heating circuits were given individual designations, the selected designation and "**HC1**", "**HC2**" or "**HC3**" appear instead.

Weather-compensated control unit:




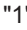


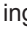


1. Press **OK** and  simultaneously for approx. 4 s.
2. "**Coding level 1**"
3. Select group of required coding address:
 - "**General**"
 - "**Boiler**"
 - "**DHW**"
 - "**Heating circuit 1/2/3**"
 - "**All cod. or solar**"
 In this group, all coding addresses are displayed in ascending order.
4. Select coding address.
5. Select value according to the following tables and confirm with **OK**.

6. If you want to reset all codes to their delivered condition:
Select "**Standard setting**" in "**Coding level 1**".

Note

This also resets codes from coding level 2.

Constant temperature control unit:

1. Press **OK** and  simultaneously for approx. 4 s.
2. With , select "**①**" for coding level 1 and confirm with **OK**.
"1" flashes on the display for the coding addresses in group 1.
3. Select group of the required coding address with /. For example, "1" for group "General" (see following section):
Confirm selected group with **OK**.
4. Select coding address with /.
5. Select value according to the following tables with / and confirm with **OK**.
6. If you want to reset all codes to their delivered condition:
Select  "**⑦**" and confirm with **OK**.
When "**✱**" flashes, confirm with **OK**.

Note

This also resets codes from coding level 2.

Code 1

General/Group "1"

Select **"General"** for weather-compensated control units (see page 61).

Select **"1"** for constant temperature control units (see page 61).

Coding

Coding in the delivered condition		Possible change	
System design			
00:2	System version 1: One heating circuit with- out mixer (A1), with DHW heating	00:2 to 00:10	For system schemes, see the following table:

Value address 00: ...	System version	Description
2	1	One heating circuit without mixer (heating circuit 1), with DHW heating (code is adjusted automatically)
4	2	One heating circuit with mixer (heating circuit 2), with DHW heating
6	3, 4	One heating circuit without mixer (heating circuit 1) and one heating circuit with mixer (heating circuit 2), with DHW heating (code is adjusted automatically)
8	5	One heating circuit with mixer (heating circuit 2) and one heating circuit with mixer (heating circuit 3), with DHW heating
10	5	One heating circuit without mixer (heating circuit 1), one heating circuit with mixer (heating circuit 2) and one heating circuit with mixer (heating circuit 3), with DHW heating (code is adjusted automatically)

General/Group "1" (cont.)

Coding in the delivered condition		Possible change	
Internal circulation pump function			
51:0	Internal circulation pump always starts when there is a heat demand	51:1	System with low loss header: When there is a heat demand, the internal circulation pump only starts when the burner is operational (with pump run-on).
		51:2	System with heating water buffer cylinder: When there is a heat demand, the internal circulation pump only starts when the burner is operational (with pump run-on).
Subscriber no.			
77:1	LON subscriber number (only for weather-compensated control units)	77:2 to 77:99	LON subscriber number, adjustable from 1 to 99: 1 - 4 = Boiler 5 = Cascade 10 - 98 = Vitotronic 200-H 99 = Vitocom Note <i>Allocate each number only once.</i>
Detached house/apartment building			
7F:1	Detached house (only for weather-compensated control units)	7F:0	Apartment building Separate adjustment of holiday program and time program for DHW heating, as option
Lock out controls			
8F:0	All control elements active	8F:1	All control elements locked out
		8F:2	Only standard settings can be controlled

Code 1

General/Group "1" (cont.)

Coding in the delivered condition		Possible change	
Set flow temperature for ext. demand			
9b:70	Set flow temperature in case of external demand 70 °C	9b:0 to 9b:127	Set flow temperature for external demand adjustable from 0 to 127 °C (limited by boiler-specific parameters)

Boiler/Group "2"

Select **"Boiler"** for weather-compensated control units (see page 61).
 Select **"2"** for constant temperature control units (see page 61).

Coding

Coding in the delivered condition		Possible change	
Single/multi-boiler system			
01:1	Do not adjust (only for constant temperature control units)		
Burner service in 100 hours			
21:0	No service interval (hours run) selected	21:1 to 21:100	The number of hours run before the burner should be serviced is adjustable from 100 to 10,000 h One adjusting step $\hat{=}$ 100 h
Service interval in months			
23:0	No time interval for burner service	23:1 to 23:24	Interval adjustable from 1 to 24 months
Service status			
24:0	No "Service" display	24:1	"Service" display (the address is automatically set and must be manually reset after a service has been carried out)
Filling/Venting			
2F:0	Venting program/fill program disabled	2F:1	Venting program enabled
		2F:2	Fill program enabled

5457 552 GB

DHW/Group "3"

Select **"DHW"** for weather-compensated control units (see page 61).
Select **"3"** for constant temperature control units (see page 61).

Coding

Coding in the delivered condition		Possible change	
Enable DHW circulation pump			
73:0	DHW circulation pump: "ON" in accordance with the time program (only for weather-compensated control units)	73:1	"ON" from once per hour for 5 min up to 6 times per hour for 5 min during the time program
		to 73:6	
		73:7	Constantly "ON"

Heating circuit 1, heating circuit 2, heating circuit 3/Group "5"

Select **"Heating circuit ..."** for weather-compensated control units (see page 61).
Select **"5"** for constant temperature control units (see page 61).

Coding

Coding in the delivered condition		Possible change	
Summer eco function outside temperature			
A5:5	With heating circuit pump logic function (economy circuit): Heating circuit pump "OFF" when the outside temperature (AT) is 1 K higher than the set room temperature (RT_{set}) $AT > RT_{set} + 1 \text{ K}$ (only for weather-compensated control units)	A5:0	Without heating circuit pump logic function
		A5:1 to A5:15	With heating circuit pump logic function: Heating circuit pump "OFF" (see the following table)

Parameter address	With heating circuit pump logic function: Heating circuit pump "OFF"
A5:...	
1	$AT > RT_{set} + 5 \text{ K}$
2	$AT > RT_{set} + 4 \text{ K}$
3	$AT > RT_{set} + 3 \text{ K}$
4	$AT > RT_{set} + 2 \text{ K}$



Heating circuit 1, heating circuit 2, heating... (cont.)

Parameter address A5:...	With heating circuit pump logic function: Heating circuit pump "OFF"
5	$AT > RT_{\text{set}} + 1 \text{ K}$
6	$AT > RT_{\text{set}}$
7	$AT > RT_{\text{set}} - 1 \text{ K}$
to	
15	$AT > RT_{\text{set}} - 9 \text{ K}$

Coding in the delivered condition	Possible change
-----------------------------------	-----------------

Summer eco function absolute

A6:36	Extended economy function disabled (only for weather-compensated control units)	A6:5 to A6:35	Extended economy control enabled, i.e. the burner and heating circuit pump will be switched OFF and the mixer closed at a variable adjustable value between 5 and 35 °C plus 1 °C. Base value is the adjusted outside temperature. This value is based on the actual outside temperature and a time constant that takes the cooling down of an average building into consideration.
-------	--	---------------	---

Mixer eco function

A7:0	Without mixer economy function (only for a weather-compensated control unit and heating circuit with mixer)	A7:1	With mixer economy function (extended heating circuit pump logic): Heating circuit pump also "OFF": <ul style="list-style-type: none"> ■ If a mixer has been closed for longer than 20 min. Heating pump "ON": <ul style="list-style-type: none"> ■ If the mixer changes to control function ■ If there is a risk of frost
------	---	------	--

Heating circuit 1, heating circuit 2, heating... (cont.)

Coding in the delivered condition		Possible change	
Pump idle time, transition red. mode			
A9:7	With pump idle time: Heating circuit pump "OFF" if the set value changes through a change in operating mode or through a change in the set room temperature (only for weather-compensated control units)	A9:0	Without pump idle time
		A9:1 to A9:15	With pump idle time; adjustable from 1 to 15

Weather-compensated/room temperature hook-up			
b0:0	With remote control: Heating mode/reduced mode: Weather-compensated (only for weather-compensated control units; change the code only for the heating circuit with mixer)	b0:1	Heating mode: Weather-compensated Reduced mode: With room temperature hook-up
		b0:2	Heating mode: With room temperature hook-up Reduced mode: Weather-compensated
		b0:3	Heating mode/reduced mode: With room temperature hook-up

Summer eco function room temperature			
b5:0	With remote control: No room temperature-dependent heating circuit pump logic function (only for weather-compensated control units; change the code only for the heating circuit with mixer)	b5:1 to b5:8	Heating circuit pump logic function, see the following table:

Parameter address b5:...	With heating circuit pump logic function:	
	Heating circuit pump "OFF"	Heating circuit pump "ON"
1	$RT_{actual} > RT_{set} + 5\text{ K}$	$RT_{actual} < RT_{set} + 4\text{ K}$
2	$RT_{actual} > RT_{set} + 4\text{ K}$	$RT_{actual} < RT_{set} + 3\text{ K}$
3	$RT_{actual} > RT_{set} + 3\text{ K}$	$RT_{actual} < RT_{set} + 2\text{ K}$
4	$RT_{actual} > RT_{set} + 2\text{ K}$	$RT_{actual} < RT_{set} + 1\text{ K}$
5	$RT_{actual} > RT_{set} + 1\text{ K}$	$RT_{actual} < RT_{set}$



Heating circuit 1, heating circuit 2, heating... (cont.)

Parameter address b5:...	With heating circuit pump logic function:	
	Heating circuit pump "OFF"	Heating circuit pump "ON"
6	$RT_{actual} > RT_{set}$	$RT_{actual} < RT_{set} - 1\text{ K}$
7	$RT_{actual} > RT_{set} - 1\text{ K}$	$RT_{actual} < RT_{set} - 2\text{ K}$
8	$RT_{actual} > RT_{set} - 2\text{ K}$	$RT_{actual} < RT_{set} - 3\text{ K}$

Coding in the delivered condition		Possible change	
Flow temperature minimum limit			
C5:20	Electronic minimum flow temperature limit 20 °C (only for weather-compensated control units)	C5:1 to C5:127	Minimum limit adjustable from 1 to 127 °C (limited by boiler-specific parameters)
Flow temperature maximum limit			
C6:74	Electronic maximum flow temperature limited to 74 °C (only for weather-compensated control units)	C6:10 to C6:127	Maximum limit adjustable from 10 to 127 °C (limited by boiler-specific parameters)
Heating program - changeover			
d5:0	The external heating program changeover changes the heating program to "Constant operation with reduced room temperature" or "Standby mode" (only for weather-compensated control units)	d5:1	The external heating program changeover changes to "Constant operation with standard room temperature" (independent of coding address 3A, 3b and 3C)
Ext. heating program changeover to heating circuit			
d8:0	No heating program changeover via extension EA1	d8:1	Heating program changeover via input DE1 at extension EA1
		d8:2	Heating program changeover via input DE2 at extension EA1
		d8:3	Heating program changeover via input DE3 at extension EA1

Heating circuit 1, heating circuit 2, heating... (cont.)

Coding in the delivered condition		Possible change	
Max. pump speed in standard mode			
E6:...	Maximum speed of the variable speed heating circuit pump in % of the max. speed in standard mode. Value is defaulted by boiler-specific parameters (only for weather-compensated control units).	E6:0 to E6:100	Maximum speed adjustable from 0 to 100 %
Min. pump speed			
E7:30	Minimum speed of the variable speed heating circuit pump: 30 % of the maximum speed (only for weather-compensated control units)	E7:0 to E7:100	Minimum speed adjustable from 0 to 100 % of the maximum speed
Screed function			
F1:0	Screed drying function disabled (only for weather-compensated control units)	F1:1 to F1:6	Screed drying function adjustable in accordance with 6 optional temperature/time profiles (see page 138)
		F1:15	Constant flow temperature 20 °C
Party mode time limit			
F2:8	Time limit for party mode or external heating program changeover via key: 8 h (only for weather-compensated control units) ^{*1}	F2:0	No time limit for party mode ^{*1}
		F2:1 to F2:12	Time limit adjustable from 1 to 12h ^{*1}

^{*1} Party mode ends **automatically** in the "Heating and DHW" program, when the system changes over to operation with standard room temperature.



Heating circuit 1, heating circuit 2, heating... (cont.)

Coding in the delivered condition		Possible change	
Pump control in "Only DHW"			
F6:25	In the "Only DHW" operating mode, the internal circulation pump is permanently ON (only for constant temperature control units)	F6:0	In the "Only DHW" operating mode, the internal circulation pump is permanently OFF
		F6:1 to F6:24	In the "DHW only" operating mode, the internal circulation pump will be started for 10 min respectively 1 to 24 times per day.
Pump control in "Standby mode"			
F7:25	In "Standby mode", the internal circulation pump is permanently ON (only for constant temperature control units)	F7:0	In "Standby mode", the internal circulation pump is permanently OFF
		F7:1 to F7:24	In "Standby mode", the internal circulation pump in operating mode will be started for 10 min respectively 1 to 24 times per day.
Start temperature raising			
F8:-5	Temperature limit for terminating the reduced mode -5 °C, see example on page 141. Observe the setting of coding address "A3" (only for weather-compensated control units)	F8:+10 to F8:-60	Temperature limit adjustable from +10 to -60 °C
		F8:-61	Function disabled
End temperature raising			
F9:-14	Temperature limit for raising the reduced set room temp. -14 °C, see example on page 141 (only for weather-compensated control units)	F9:+10 to F9:-60	Temperature limit for raising the set room temperature to the value selected for standard mode adjustable from +10 to -60 °C

Heating circuit 1, heating circuit 2, heating... (cont.)



Coding in the delivered condition		Possible change	
Increase set flow temperature			
FA:20	Raising the set boiler water temperature or the set flow temperature when changing from operation with reduced room temperature to operation with standard room temperature, by 20 %. See example on page 142 (only for weather-compensated control units)	FA:0 to FA:50	Temperature rise adjustable from 0 to 50 %
Duration set flow temperature increase			
Fb:30	Duration for raising the set boiler water temperature or the set flow temperature (see coding address "FA") 60 min. See example on page 142 (only for weather-compensated control units)	Fb:0 to Fb:150	Duration adjustable from 0 to 300 min; one step \triangleq 2 min

Calling up coding level 2

Note

- In coding level 2, all codes are accessible, including the codes from coding level 1.
- Codes that have no function due to the heating system equipment level or the setting of other codes are not displayed.
- Heating systems with one heating circuit without mixer and one or two heating circuits with mixer:
The heating circuit without a mixer is designated "**Heating circuit 1**" and the heating circuits with mixer as "**Heating circuit 2**" or "**Heating circuit 3**".
If the heating circuits were given individual designations, the selected designation and "**HC1**", "**HC2**" or "**HC3**" appear instead.

Weather-compensated control unit:

1. Press **OK** and  simultaneously for approx. 4 s.
2. Press **OK** and  simultaneously for approx. 4 s.
3. "**Coding level 2**"
4. Select group of required coding address:
 - "**General**"
 - "**Boiler**"
 - "**DHW**"
 - "**Heating circuit 1/2/3**"
 - "**All cod. or solar**"

In this group, all coding addresses are displayed in ascending order.
5. Select coding address.










6. Select value according to the following tables and confirm with "**OK**".

7. **If you want to reset all codes to their delivered condition:**
Select "**Standard setting**" in "**Coding level 2**".

Note

This also resets codes from coding level 1.

Constant temperature control unit:

1. Press **OK** and  simultaneously for approx. 4 s.
2. Press **OK** and  simultaneously for approx. 4 s.
3. With , select "**②**" for coding level 2 and confirm with **OK**.
"I" flashes on the display for the coding addresses in group 1.
4. Select group of the required coding address with /. For example, "1" for group "General" (see following section):
Confirm selected group with **OK**.
5. Select coding address with /.
6. Select value according to the following tables with / and confirm with **OK**.

Calling up coding level 2 (cont.)

7. If you want to reset all codes to their delivered condition:

Select ▶ "⑦" and confirm with **OK**.
When "•" flashes, confirm with **OK**.

Note

This also resets codes from coding level 1.

General/Group "1"

Select **"General"** for weather-compensated control units (see page 72).
Select **"1"** for constant temperature control units (see page 72).

Coding

Coding in the delivered condition		Possible change	
00:2	System version 1: One heating circuit without mixer (A1), with DHW heating	00:2 to 00:10	For system schemes, see the following table:

Value address 00: ...	System version	Description
2	1	One heating circuit without mixer (heating circuit 1), with DHW heating (code is adjusted automatically)
4	2	One heating circuit with mixer (heating circuit 2), with DHW heating
6	3, 4	One heating circuit without mixer (heating circuit 1) and one heating circuit with mixer (heating circuit 2), with DHW heating (code is adjusted automatically)
8	5	One heating circuit with mixer (heating circuit 2) and one heating circuit with mixer (heating circuit 3), with DHW heating
10	5	One heating circuit without mixer (heating circuit 1), one heating circuit with mixer (heating circuit 2) and one heating circuit with mixer (heating circuit 3), with DHW heating (code is adjusted automatically)

General/Group "1" (cont.)

Coding in the delivered condition		Possible change	
11:≠9	No access to the coding addresses for the combustion controller parameters	11:9	Access open to the coding addresses for the combustion controller parameters
25:0	Without outside temperature sensor (for constant temperature control units)	25:1	With outside temperature sensor (automatic recognition)
32:0	Without extension AM1	32:1	With extension AM1 (automatic recognition)
33:1	Function output A1: Heating circuit pump	33:0	Function output A1 at extension AM1: DHW circulation pump
		33:2	Function output A1: Circulation pump for cylinder heating
34:0	Function output A2 at extension AM1: DHW circulation pump	34:1	Function output A2: Heating circuit pump
		34:2	Function output A2: Circulation pump for cylinder heating
35:0	Without extension EA1	35:1	With extension EA1 (automatic recognition)
36:0	Function output 157 at extension EA1: Fault message	36:1	Function output 157 : Feed pump
		36:2	Function output 157 : DHW circulation pump

General/Group "1" (cont.)

Coding in the delivered condition		Possible change	
3A:0	Function input DE1 at extension EA1: No function	3A:1	Function input DE1: Heating program changeover
		3A:2	Function input DE1: External demand with set flow temperature. Function internal circulation pump: Coding address 3F
		3A:3	Function input DE1: External blocking. Function internal circulation pump: Coding address 3E
		3A:4	Function input DE1: External blocking with fault message input Function internal circulation pump: Coding address 3E
		3A:5	Function input DE1: Fault message input
		3A:6	Function input DE1: Brief operation, DHW circulation pump (pushbutton function). DHW circulation pump runtime adjustment: Coding address 3d



General/Group "1" (cont.)

Coding in the delivered condition		Possible change	
3b:0	Function input DE2 at extension EA1: No function	3b:1	Function input DE2: Heating program changeover
		3b:2	Function input DE2: External demand with set flow temperature. Function internal circulation pump: Coding address 3F
		3b:3	Function input DE2: External blocking. Function internal circulation pump: Coding address 3E
		3b:4	Function input DE2: External blocking with fault message input Function internal circulation pump: Coding address 3E
		3b:5	Function input DE2: Fault message input
		3b:6	Function input DE2: Brief operation, DHW circulation pump (pushbutton function). DHW circulation pump runtime adjustment: Coding address 3d

General/Group "1" (cont.)

Coding in the delivered condition		Possible change	
3C:0	Function input DE3 at extension EA1: No function	3C:1	Function input DE3: Heating program changeover
		3C:2	Function input DE3: External demand with set flow temperature. Function internal circulation pump: Coding address 3F
		3C:3	Function input DE3: External blocking. Function internal circulation pump: Coding address 3E
		3C:4	Function input DE3: External blocking with fault message input Function internal circulation pump: Coding address 3E
		3C:5	Function input DE3: Fault message input
		3C:6	Function input DE3: Brief operation, DHW circulation pump (pushbutton function). DHW circulation pump runtime adjustment: Coding address 3d
3d:5	DHW circulation pump runtime for brief operation: 5 min	3d:1 to 3d:60	DHW circulation pump runtime adjustable from 1 to 60 min
3E:0	Internal circulation pump stays in control mode at signal "External blocking"	3E:1	Internal circulation pump stops at signal "External blocking"
		3E:2	Internal circulation pump starts at signal "External blocking"



General/Group "1" (cont.)

Coding in the delivered condition		Possible change	
3F:0	Internal circulation pump stays in control mode at signal "External demand"	3F:1	Internal circulation pump stops at signal "External demand"
		3F:2	Internal circulation pump starts at signal "External demand"
51:0	Internal circulation pump always starts when there is a heat demand	51:1	System with low loss header: When there is a heat demand, the internal circulation pump only starts when the burner is operational (with pump run-on).
		51:2	System with heating water buffer cylinder: When there is a heat demand, the internal circulation pump only starts when the burner is operational (with pump run-on).
52:0	Without flow temperature sensor for low loss header	52:1	With flow temperature sensor for low loss header (automatic recognition)
54:0	Without solar thermal system		
6E:50	Do not adjust		
76:0	Without LON communication module (only for weather-compensated control units)	76:1	With LON communication module (automatic recognition)
77:1	LON subscriber number (only for weather-compensated control units)	77:2 to 77:99	LON subscriber number, adjustable from 1 to 99: 1 - 4 = Boiler 5 = Cascade 10 - 98 = Vitotronic 200-H 99 = Vitocom Note <i>Allocate each number only once.</i>

General/Group "1" (cont.)

Coding in the delivered condition		Possible change	
79:1	With LON communication module: Control unit is fault manager (only for weather-compensated control units)	79:0	Control unit is not fault manager
7b:1	With LON communication module: The control unit transmits the time (only for weather-compensated control units)	7b:0	Does not transmit time
7F:1	Detached house (only for weather-compensated control units)	7F:0	Apartment building Separate adjustment of holiday program and time program for DHW heating, as option
80:6	A fault message is displayed, providing a fault is active for at least 30 s	80:0	Immediate fault message
		80:2 to 80:199	The minimum fault duration before a fault message is issued is adjustable from 10 s to 995 s; one step \pm 5 s
81:1	Automatic summer/winter time changeover	81:0	Manual summer/winter time changeover
		81:2	Use of the radio clock receiver (automatic recognition)
		81:3	With LON communication module: The control unit receives the time
82:0	Operation with natural gas	82:1	Operation with LPG (only adjustable if coding address 11:9 has been set)
86:0	Do not adjust		
87:0	Do not adjust		
88:0	Temperature displayed in °C (Celsius)	88:1	Temperature displayed in °F (Fahrenheit)
8A:175	Do not adjust!		



General/Group "1" (cont.)

Coding in the delivered condition		Possible change	
8F:0	All control elements active	8F:1	All control elements locked out
		8F:2	Only standard settings can be controlled
90:128	Time constant for calculating the adjusted outside temperature 21.3 h	90:1 to 90:199	Fast (low values) or slow (high values) matching of the flow temperature, subject to the set value when the outside temperature changes; 1 step $\hat{=}$ 10 min
94:0	Without Open Therm extension	94:1	With Open Therm extension (automatic recognition)
95:0	Without Vitocom 100 communication interface	95:1	With Vitocom 100 communication interface (automatic recognition)
97:0	With LON communication module: The outside temperature of the sensor connected to the control unit is utilised internally (only for weather-compensated control units)	97:1	The control unit receives the outside temperature
		97:2	The control unit transmits the outside temperature to the Vitotronic 200-H
98:1	Viessmann system number (in conjunction with monitoring several systems via Vitocom 300)	98:1 to 98:5	System number adjustable from 1 to 5
99:0	Never adjust		
9A:0	Never adjust		
9b:70	Set flow temperature in case of external demand 70 °C	9b:0 to 9b:127	Set flow temperature for external demand adjustable from 0 to 127 °C (limited by boiler-specific parameters)

General/Group "1" (cont.)

Coding in the delivered condition		Possible change	
9C:20	Monitoring LON subscribers. If a subscriber fails to respond, the values specified inside the control unit will be used after 20 min. Only then will a fault message be issued. (only for weather-compensated control units)	9C:0	No monitoring
		9C:5 to 9C:60	The time is adjustable from 5 to 60 min
9F:8	Differential temperature 8 K; only in conjunction with the mixer circuit (only for weather-compensated control units)	9F:0 to 9F:40	Differential temperature adjustable from 0 to 40 K

Boiler/Group "2"

Select **"Boiler"** for weather-compensated control units (see page 72).
Select **"2"** for constant temperature control units (see page 72).

Coding

Coding in the delivered condition		Possible change	
01:1	Do not adjust		
04:1	Minimum burner pause subject to the boiler load (specified by boiler coding card)	04:0	Minimum burner pause set permanently (specified by boiler coding card)
06:...	Maximum limit of the boiler water temperature, defaulted in °C by the boiler coding card	06:20 to 06:127	Maximum limit of the boiler water temperature within the ranges specified by the boiler
0d:0	Do not adjust		
0E:0	Do not adjust		
13:1	Do not adjust		
14:1	Do not adjust		
15:1	Do not adjust		



Boiler/Group "2" (cont.)

Coding in the delivered condition		Possible change	
21:0	No service interval (hours run) selected	21:1 to 21:100	The number of hours run before the burner should be serviced is adjustable from 100 to 10,000 h One adjusting step $\hat{=}$ 100 h
23:0	No time interval for burner service	23:1 to 23:24	Interval adjustable from 1 to 24 months
24:0	No "Service" display	24:1	"Service" display (the address is automatically set and must be manually reset after a service has been carried out)
28:0	No burner interval ignition	28:1 to 28:24	Time interval adjustable from 1 to 24 h. The burner is force-started once every 30 s (only when operating with LPG)
2E:0	Never adjust		
2F:0	Venting program/fill program disabled	2F:1	Venting program enabled
		2F:2	Fill program enabled
30:1	Internal variable speed circulation pump (automatic adjustment)	30:0	Internal circulation pump without variable speed (e.g. temporarily for service)
31:...	Set speed in % of the internal circulation pump when operated as boiler circuit pump, specified by the boiler coding card	31:0 to 31:100	Set speed adjustable from 0 to 100 %
38:0	Status burner control unit: Operational (no fault)	38:≠0	Status burner control unit: Fault

DHW/Group "3"

Select **"DHW"** for weather-compensated control units (see page 72).

Select **"3"** for constant temperature control units (see page 72).

DHW/Group "3" (cont.)

Coding

Coding in the delivered condition		Possible change	
56:0	Set DHW temperature adjustable from 10 to 60 °C	56:1	Set DHW temperature adjustable from 10 to above 60 °C Note <i>Maximum value subject to boiler coding card. Observe the max. permissible DHW temperature.</i>
58:0	Without auxiliary function for DHW heating	58:10 to 58:60	Input of a second set DHW temperature, adjustable from 10 to 60 °C (observe coding addresses "56" and "63")
59:0	Cylinder heating: Starting point -2.5 K Stopping point +2.5 K	59:1 to 59:10	Starting point adjustable from 1 to 10 K below the set value
5E:0	Circulation pump for cylinder heating stays in control mode at signal "External blocking"	5E:1	Circulation pump for cylinder heating stops at signal "External blocking"
		5E:2	Circulation pump for cylinder heating starts at signal "External blocking"
5F:0	Circulation pump for cylinder heating stays in control mode at signal "External demand"	5F:1	Circulation pump for cylinder heating stops at signal "External demand"
		5F:2	Circulation pump for cylinder heating starts at signal "External demand"
63:0	Without auxiliary function for DHW heating (only for constant temperature control units)	63:1	Auxiliary function: 1 x daily
		63:2 to 63:14	Every 2 days to every 14 days
		63:15	2 x daily

DHW/Group "3" (cont.)

Coding in the delivered condition		Possible change	
65:...	Information regarding the type of diverter valve (not adjustable): 0: no diverter valve 1: Viessmann diverter valve 2: Wilo diverter valve 3: Grundfos diverter valve		
6C:100	Set speed; internal circulation pump with DHW heating 100 %	6C:0 to 6C:100	Set speed adjustable from 0 to 100 %
6F:...	Maximum output for DHW heating in %, specified by the boiler coding card	6F:0 to 6F:100	Max. output during DHW heating adjustable from min. output to 100 %
71:0	DHW circulation pump: "ON" in accordance with the time program (only for weather-compensated control units)	71:1	"OFF" during DHW heating to the first set value
		71:2	"ON" during DHW heating to the first set value
72:0	DHW circulation pump: "ON" in accordance with the time program (only for weather-compensated control units)	72:1	"OFF" during DHW heating to the second set value
		72:2	"ON" during DHW heating to the second set value
73:0	DHW circulation pump: "ON" in accordance with the time program (only for weather-compensated control units)	73:1 to 73:6	"ON" from once per hour for 5 min up to 6 times per hour for 5 min during the time program
		73:7	Constantly "ON"

Heating circuit 1, heating circuit 2, heating circuit 3/Group "5"

Select **"Heating circuit ..."** for weather-compensated control units (see page 72).
Select **"5"** for constant temperature control units (see page 72).

Heating circuit 1, heating circuit 2, heating... (cont.)

Coding

Coding in the delivered condition		Possible change	
A0:0	Without remote control (only for weather-compensated control units)	A0:1	With Vitotrol 200A (automatic recognition)
		A0:2	With Vitotrol 300A or Vitohome 300 (automatic recognition)
A1:0	All settings that can be made at the remote control can be executed (only for constant temperature control units)	A1:1	Only party mode can be set at the remote control
A3:2	Outside temperature below 1 °C: Heating circuit pump "ON" Outside temperature above 3 °C: Heating circuit pump "OFF"	A3:-9 to A3:15	Heating circuit pump "ON/OFF" (see the following table)



Please note

When selecting a value below 1 °C, there is a risk of pipes outside the thermal envelope of the building being damaged by frost.

The standby mode, in particular, should be taken into consideration, e.g. during holidays.

Parameter Address A3:...	Heating circuit pump	
	"ON"	"OFF"
-9	-10 °C	-8 °C
-8	-9 °C	-7 °C
-7	-8 °C	-6 °C
-6	-7 °C	-5 °C
-5	-6 °C	-4 °C
-4	-5 °C	-3 °C
-3	-4 °C	-2 °C
-2	-3 °C	-1 °C
-1	-2 °C	0 °C
0	-1 °C	1 °C
1	0 °C	2 °C
2	1 °C	3 °C
to	to	to
15	14 °C	16 °C

Heating circuit 1, heating circuit 2, heating... (cont.)

Coding in the delivered condition		Possible change	
A4:0	With frost protection (only for weather-compensated control units)	A4:1	No frost protection; this setting is only possible if code "A3: -9" has been selected. Note <i>Observe the information regarding coding address "A3"</i>
A5:5	With heating circuit pump logic function (economy circuit): Heating circuit pump "OFF" when the outside temperature (AT) is 1 K higher than the set room temperature (RT_{set}) $AT > RT_{set} + 1\text{ K}$ (only for weather-compensated control units)	A5:0	Without heating circuit pump logic function
		A5:1 to A5:15	With heating circuit pump logic function: Heating circuit pump "OFF" (see the following table)

Parameter address A5:...	With heating circuit pump logic function: Heating circuit pump "OFF"
1	$AT > RT_{set} + 5\text{ K}$
2	$AT > RT_{set} + 4\text{ K}$
3	$AT > RT_{set} + 3\text{ K}$
4	$AT > RT_{set} + 2\text{ K}$
5	$AT > RT_{set} + 1\text{ K}$
6	$AT > RT_{set}$
7	$AT > RT_{set} - 1\text{ K}$
to 15	$AT > RT_{set} - 9\text{ K}$

Heating circuit 1, heating circuit 2, heating... (cont.)

Coding in the delivered condition		Possible change	
A6:36	Extended economy function disabled (only for weather-compensated control units)	A6:5 to A6:35	Extended economy control enabled, i.e. the burner and heating circuit pump will be switched OFF and the mixer closed at a variable adjustable value between 5 and 35 °C plus 1 °C. Base value is the adjusted outside temperature. This value is based on the actual outside temperature and a time constant that takes the cooling down of an average building into consideration.
A7:0	Without mixer economy function (only for a weather-compensated control unit and heating circuit with mixer)	A7:1	With mixer economy function (extended heating circuit pump logic): Heating circuit pump also "OFF": <ul style="list-style-type: none"> ■ If a mixer has been closed for longer than 20 min. Heating pump "ON": <ul style="list-style-type: none"> ■ If the mixer changes to control function ■ If there is a risk of frost
A8:1	Heating circuit with mixer creates a demand for the internal circulation pump (only for weather-compensated control units)	A8:0	Heating circuit with mixer creates no demand for the internal circulation pump
A9:7	With pump idle time: Heating circuit pump "OFF" if the set value changes through a change in operating mode or through a change in the set room temperature (only for weather-compensated control units)	A9:0	Without pump idle time
		A9:1 to A9:15	With pump idle time; adjustable from 1 to 15



Heating circuit 1, heating circuit 2, heating... (cont.)

Coding in the delivered condition		Possible change	
b0:0	With remote control: Heating mode/reduced mode: Weather-compensated (only for weather-compensated control units; change the code only for the heating circuit with mixer)	b0:1	Heating mode: Weather-compensated Reduced mode: With room temperature hook-up
		b0:2	Heating mode: With room temperature hook-up Reduced mode: Weather-compensated
		b0:3	Heating mode/reduced mode: With room temperature hook-up
b2:8	With remote control and for the heating circuit, operation with room temperature hook-up must be programmed: Room influence factor 8 (only for weather-compensated control units; change the code only for the heating circuit with mixer)	b2:0	Without room influence
		b2:1 to b2:64	Room influence factor adjustable from 1 to 64
b5:0	With remote control: No room temperature-dependent heating circuit pump logic function (only for weather-compensated control units; change the code only for the heating circuit with mixer)	b5:1 to b5:8	Heating circuit pump logic function, see the following table:

Parameter address b5:...	With heating circuit pump logic function:	
	Heating circuit pump "OFF"	Heating circuit pump "ON"
1	$RT_{actual} > RT_{set} + 5\text{ K}$	$RT_{actual} < RT_{set} + 4\text{ K}$
2	$RT_{actual} > RT_{set} + 4\text{ K}$	$RT_{actual} < RT_{set} + 3\text{ K}$
3	$RT_{actual} > RT_{set} + 3\text{ K}$	$RT_{actual} < RT_{set} + 2\text{ K}$
4	$RT_{actual} > RT_{set} + 2\text{ K}$	$RT_{actual} < RT_{set} + 1\text{ K}$
5	$RT_{actual} > RT_{set} + 1\text{ K}$	$RT_{actual} < RT_{set}$
6	$RT_{actual} > RT_{set}$	$RT_{actual} < RT_{set} - 1\text{ K}$
7	$RT_{actual} > RT_{set} - 1\text{ K}$	$RT_{actual} < RT_{set} - 2\text{ K}$
8	$RT_{actual} > RT_{set} - 2\text{ K}$	$RT_{actual} < RT_{set} - 3\text{ K}$

Heating circuit 1, heating circuit 2, heating... (cont.)

Coding in the delivered condition		Possible change	
C5:20	Electronic minimum flow temperature limit 20 °C (only for weather-compensated control units)	C5:1 to C5:127	Minimum limit adjustable from 1 to 127 °C (limited by boiler-specific parameters)
C6:74	Electronic maximum flow temperature limited to 74 °C (only for weather-compensated control units)	C6:10 to C6:127	Maximum limit adjustable from 10 to 127 °C (limited by boiler-specific parameters)
d3:14	Heating curve slope = 1.4	d3:2 to d3:35	Heating curve slope adjustable from 0.2 to 3.5 (see page 53)
d4:0	Heating curve level = 0	d4:-13 to d4:40	Heating curve level adjustable from -13 to 40 (see page 53)
d5:0	The external heating program changeover changes the heating program to "Constant operation with reduced room temperature" or "Standby mode" (only for weather-compensated control units)	d5:1	The external heating program changeover changes to "Constant operation with standard room temperature" (independent of coding address 3A, 3b and 3C)
d6:0	Heating circuit pump stays in control mode at signal "External blocking"	d6:1	Heating circuit pump stops at signal "External blocking" (subject to coding addresses 3A, 3b and 3C)
		d6:2	Heating circuit pump starts at signal "External blocking" (subject to coding addresses 3A, 3b and 3C)
d7:0	Heating circuit pump stays in control mode at signal "External demand"	d7:1	Heating circuit pump stops at signal "External demand" (subject to coding addresses 3A, 3b and 3C)
		d7:2	Heating circuit pump starts at signal "External blocking" (subject to coding addresses 3A, 3b and 3C)



Heating circuit 1, heating circuit 2, heating... (cont.)

Coding in the delivered condition		Possible change	
d8:0	No heating program changeover via extension EA1	d8:1	Heating program changeover via input DE1 at extension EA1
		d8:2	Heating program changeover via input DE2 at extension EA1
		d8:3	Heating program changeover via input DE3 at extension EA1
E1:1	Never adjust		
E2:50	With remote control: No display correction for the actual room temperature (only for weather-compensated control units)	E2:0 to E2:49	Display correction -5 K to Display correction -0.1 K
		E2:51 to E2:99	Display correction +0.1 K to Display correction +4.9 K
E5:0	Without external variable speed heating circuit pump (only for weather-compensated control units)	E5:1	With external variable speed heating circuit pump (automatic recognition)
E6:...	Maximum speed of the variable speed heating circuit pump in % of the max. speed in standard mode. Value is defaulted by boiler-specific parameters (only for weather-compensated control units).	E6:0 to E6:100	Maximum speed adjustable from 0 to 100 %
E7:30	Minimum speed of the variable speed heating circuit pump: 30 % of the maximum speed (only for weather-compensated control units)	E7:0 to E7:100	Minimum speed adjustable from 0 to 100 % of the maximum speed

Heating circuit 1, heating circuit 2, heating... (cont.)

Coding in the delivered condition		Possible change	
E8:1	Minimum speed in operation with reduced room temperature subject to the setting in coding address "E9" (only for weather-compensated control units)	E8:0	Speed subject to the setting in coding address "E7"
E9:45	Speed of the variable speed heating circuit pump: 45 % of the maximum speed during operation with reduced room temperature (only for weather-compensated control units)	E9:0 to E9:100	Speed adjustable from 0 to 100 % of the maximum speed during operation with reduced room temperature
F1:0	Screed drying function disabled (only for weather-compensated control units)	F1:1 to F1:6	Screed drying function adjustable in accordance with 6 optional temperature/time profiles (see page 138)
		F1:15	Constant flow temperature 20 °C
F2:8	Time limit for party mode or external heating program changeover via key: 8 h (only for weather-compensated control units) ^{*1}	F2:0	No time limit for party mode ^{*1}
		F2:1 to F2:12	Time limit adjustable from 1 to 12h ^{*1}
F5:12	Run-on time of the internal circulation pump in heating mode: 12 min (only for constant temperature control units)	F5:0	No run-on time for the internal circulation pump
		F5:1 to F5:20	Run-on time of the internal circulation pump adjustable from 1 to 20 min

^{*1} Party mode ends **automatically** in the "Heating and DHW" program, when the system changes over to operation with standard room temperature.



Heating circuit 1, heating circuit 2, heating... (cont.)

Coding in the delivered condition		Possible change	
F6:25	In the "Only DHW" operating mode, the internal circulation pump is permanently ON (only for constant temperature control units)	F6:0	In the "Only DHW" operating mode, the internal circulation pump is permanently OFF
		F6:1 to F6:24	In the "DHW only" operating mode, the internal circulation pump will be started for 10 min respectively 1 to 24 times per day.
F7:25	In "Standby mode", the internal circulation pump is permanently ON (only for constant temperature control units)	F7:0	In "Standby mode", the internal circulation pump is permanently OFF
		F7:1 to F7:24	In "Standby mode", the internal circulation pump in operating mode will be started for 10 min respectively 1 to 24 times per day.
F8:-5	Temperature limit for terminating the reduced mode -5 °C, see example on page 141. Observe the setting of coding address "A3" (only for weather-compensated control units)	F8:+10 to F8:-60	Temperature limit adjustable from +10 to -60 °C
		F8:-61	Function disabled
F9:-14	Temperature limit for raising the reduced set room temp. -14 °C, see example on page 141 (only for weather-compensated control units)	F9:+10 to F9:-60	Temperature limit for raising the set room temperature to the value selected for standard mode adjustable from +10 to -60 °C

Heating circuit 1, heating circuit 2, heating... (cont.)

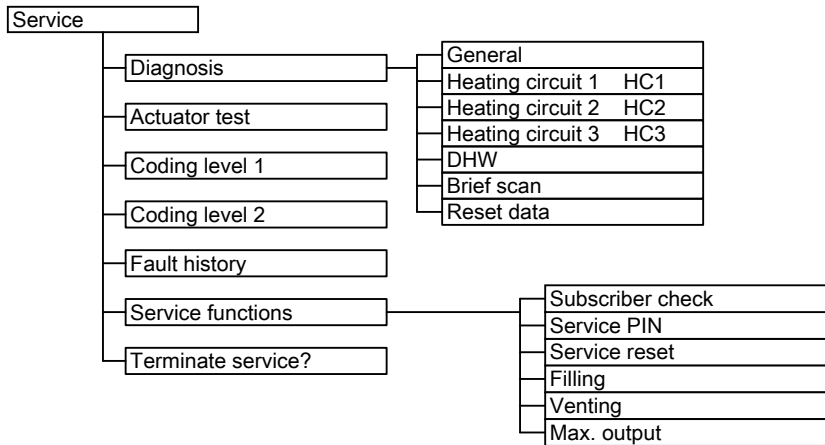
Coding in the delivered condition		Possible change	
FA:20	Raising the set boiler water temperature or the set flow temperature when changing from operation with reduced room temperature to operation with standard room temperature, by 20 %. See example on page 142 (only for weather-compensated control units)	FA:0 to FA:50	Temperature rise adjustable from 0 to 50 %
Fb:30	Duration for raising the set boiler water temperature or the set flow temperature (see coding address "FA") 60 min. See example on page 142 (only for weather-compensated control units)	Fb:0 to Fb:150	Duration adjustable from 0 to 300 min; one step $\hat{=}$ 2 min

Calling up the service menu

Only for weather-compensated control units

Press **OK** and **≡**: simultaneously for approx. 4 s.

Service menu overview



Diagnosis

Scanning operating data

- Weather-compensated control unit:
Operating data can be scanned in six areas. See "**Diagnosis**" in the service menu overview.
Operating data on heating circuits with mixers and solar can only be scanned if the components are installed in the system.
For further information on operating data, see chapter "Brief scan".
- Constant temperature control unit:
Operating data can be scanned in the "**i**" menu.



Operating instructions

For further information on operating data, see chapter "Brief scan".

Diagnosis (cont.)


Note

"- - -" appears on the display if a sensor that has been scanned is faulty.

Calling up operating data

3. Select required group, e.g. "**General**".

Weather-compensated control unit

1. Press **OK** and  simultaneously for approx. 4 s.

Constant temperature control unit




Operating instructions, chapter "Scanning information"

2. "**Diagnosis**"

Resetting operating data

Saved operating data (e.g. hours run) can be reset to 0.
The value "Adjusted outside temp" is reset to the actual value.

Weather-compensated control unit

1. Press **OK** and  simultaneously for approx. 4 s.

4. Select required value (e.g. "**Burner starts**") or "**All details**".

Constant temperature control unit



Operating instructions, chapter "Scanning information"


2. "**Diagnosis**"

3. "**Reset data**"

Brief scan

In the brief scan, you can scan temperatures, software versions and connected components, for example.

Weather-compensated control unit

1. Press **OK** and  simultaneously for approx. 4 s.
2. "**Diagnosis**"
3. "**Brief scan**".
4. Press **OK**.

The display shows 9 lines with 6 fields each.

Diagnosis and service scans

Diagnosis (cont.)

Diagnosis Brief scan						
1:	1	F	0	A	1	2
2:	0	0	0	0	0	0
3:	0	0	0	0	0	0
4:	0	0	0	0	0	0

Select with 




For an explanation of the relevant values in the individual lines and fields, see the following table:

Line (brief scan)	Field					
	1	2	3	4	5	6
1:	Software version Control unit		Equipment version		Burner control unit version	
2:	System schemes 01 to 10		Number of KM BUS subscribers	Maximum demand temperature		
3:	0	Software version Programming unit	Software version Mixer extension 0: no mixer extension	0	Software version LON module	0
4:	Software version Burner control unit		Type Burner control unit		Appliance type	
5:	0: no external demand 1: external demand	0: no external blocking 1: external blocking		External hook-up 0 - 10 V Display in °C 0: no external hook-up		
6:	Number of LON subscribers		Check digit	Max. output Details in %.		

Diagnosis (cont.)

Line (brief scan)	Field					
	1	2	3	4	5	6
7:	Heating circuit A1 (without mixer) Remote control 0: w/o 1: Vitotrol 200A 2: Vitotrol 300A or Vitohome		Heating circuit M2 (with mixer) Remote control 0: w/o 1: Vitotrol 200A 2: Vitotrol 300A or Vitohome		Heating circuit M3 (with mixer) Remote control 0: w/o 1: Vitotrol 200A 2: Vitotrol 300A or Vitohome	
8:	Internal circulation pump Variable speed pump 0: w/o 1: Wilo 2: Grundfos		Heating circuit pump, heating circuit M2 Variable speed pump 0: w/o 1: Wilo 2: Grundfos		Heating circuit pump, heating circuit M3 Variable speed pump 0: w/o 1: Wilo 2: Grundfos	
9:	Internal details for calibration				Software version Extension AM1	Software version Extension EA1

Constant temperature control unit

1. Press **OK** and  simultaneously for approx. 4 s.
"⌘" flashes on the display.
2. Confirm with **OK**.
3. Select scan with /. For example, "b" for "Max. output" (see following table):
4. Confirm selected scan with **OK**.

5457 552 GB

Diagnosis (cont.)

For explanations of individual scans, see the following table:

Brief scan	Display				
0	0	0	0	0	0
0		System schemes 1 to 2	Software version Control unit		Software version Programming unit
1		Software version Burner control unit		0	
E			External hook-up 0 - 10 V Display in °C 0: no external hook-up		
3			Set boiler water temperature		
A			Highest demand temperature		
4		Burner control unit type	Appliance type		
5			Set cylinder temperature		
b	Diverter valve status 0: not installed 1: Heating 2: Central position 3: DHW heating		Max. output in %		
C		Boiler coding card (hexadecimal)			
c		Version Appliance	Version Burner control unit		
d				Variable speed pump 0 w/o 1 Wilo 2 Grundfos	Software version Variable speed pump 0: no variable speed pump
F ①	Code 53 setting	Internal details for calibration			
Extension AM1					

Diagnosis (cont.)

Brief scan	Display				
F ②	Software version	Output A1 configuration (value corresponds to code 33 setting)	Output A1 switching state 0: OFF 1: ON	Output A2 configuration (value corresponds to code 34 setting)	Output A2 switching state 0: OFF 1: ON
Extension EA1					
F ③	Output 157 configuration (value corresponds to code 36 setting)	Output 157 switching state 0: OFF 1: ON	Input DE1 switching state 0: open 1: closed	Input DE2 switching state 0: open 1: closed	Input DE3 switching state 0: open 1: closed
F ④	Software version		External hook-up 0 - 10 V Display in %		
Open Therm extension (if installed)					
F ⑨	Software version	DHW heating status	External hook-up 0 - 10 V Display in %		

Checking outputs (relay test)

Weather-compensated control unit

1. Press **OK** and simultaneously for approx. 4 s.
2. "Actuator test"

The following relay outputs can be controlled subject to system design:





Display	Explanation
Start base load	Burner operates at minimum output; internal pump starts
Start full load	Burner operates at maximum output; internal pump starts
Start outp. internal	Internal output (internal pump) enabled



Checking outputs (relay test) (cont.)

Display	Explanation
Start valve Heating	Diverter valve set to heating mode
Start valve centre	Diverter valve in central position (filling/draining)
Start valve cylinder	Diverter valve set to DHW mode
Start htg circ pump HC2	Heating circuit pump output enabled (extension to heating circuit with mixer)
Open mixer HC2	"Mixer open" output enabled (extension to heating circuit with mixer)
Close mixer HC2	"Mixer closed" output enabled (extension to heating circuit with mixer)
Start htg circ pump HC3	Heating circuit pump output enabled (extension to heating circuit with mixer)
Open mixer HC3	"Mixer open" output enabled (extension to heating circuit with mixer)
Close mixer HC3	"Mixer closed" output enabled (extension to heating circuit with mixer)
Start outp. int. exten. H1	Output at internal extension enabled
Start AM1 output 1	Output A1 at extension AM1 enabled
Start AM1 output 2	Output A2 at extension AM1 enabled
Start EA1 output 1	Contacts P - S at plug 157 for extension EA1 closed

Constant temperature control unit

1. Press **OK** and  simultaneously for approx. 4 s.
"P" flashes on the display.
2. Select  "C" and confirm with **OK**.
3. Select required actuator (output) with  /  (see following table):
4. Confirm selected actuator with **OK**.
The display shows the number for the activated actuator and "**ON**".

The following actuators (relay outputs) can be controlled subject to system design:


Display	Explanation
1	Burner operates at minimum output; internal pump starts
2	Burner operates at maximum output; internal pump starts
3	Internal output 20 (internal pump) is enabled
4	Diverter valve set to heating mode
5	Diverter valve in central position (filling/draining)
6	Diverter valve set to DHW mode
10	Internal extension output enabled

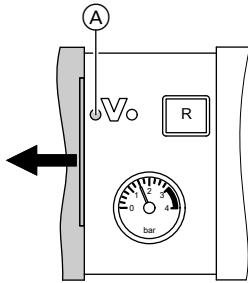
Checking outputs (relay test) (cont.)

Display	Explanation
19	Contacts P - S at plug 157 for extension EA1 closed
20	Output A1 at extension AM1 enabled
21	Output A2 at extension AM1 enabled

Fault display

Weather-compensated control unit

If there is a fault, the red fault indicator  flashes. "Δ" flashes on the display and "Fault" is shown.



The fault code is displayed with **OK**. For an explanation of the fault code, see the following pages.
For some faults, the type of fault is also displayed in plain text.

Acknowledging a fault

Follow the instructions on the display.

Note


*The fault message is shown in the standard display of the short menu.
A fault messaging facility, if connected, will be switched OFF.
If an acknowledged fault is not remedied, the fault message will be re-displayed the following day and the fault message facility restarted.*

Calling up acknowledged faults

Select "**Fault**" in the standard menu. The current faults will be displayed in a list.

Calling up fault codes from the fault memory (fault history)

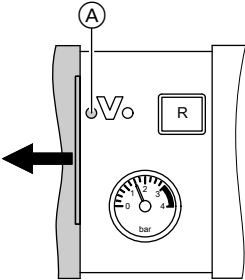
The 10 most recent faults (including resolved ones) are saved and can be scanned.
Faults are sorted by date.

1. Press **OK** and  simultaneously for approx. 4 s.
2. "**Fault history**"
3. "**Display?**"

Fault display (cont.)

Constant temperature control unit

If there is a fault, the red fault indicator (A) flashes. The two-digit fault code and (subject to the type of fault) "Δ" or "⚡" flash on the programming unit display.



Other current faults can be displayed with ▲/▼. For an explanation of the fault codes, see the following pages.



Example: Fault code "50"

Acknowledge fault

Press **OK**; the standard display is shown again.

A fault messaging facility, if connected, will be switched OFF.

If an acknowledged fault is not remedied, the fault message will be re-displayed the following day and the fault message facility restarted.

Calling up acknowledged faults

Press **OK** for approx. 4 s. The 10 most recent faults (including resolved ones) are saved and can be scanned.

Calling up fault codes from the fault memory (fault history)

The 10 most recent faults (including those remedied) are saved and can be called up. Faults are sorted by date.

1. Press **OK** and **≡** simultaneously for approx. 4 s.
2. Select "Δ" and enable fault history with **OK**.
3. Select fault messages with ▲/▼.

Service

Fault codes

Dis-played fault code	Const.	Weath.-comp.	System characteristics	Cause	Measures
10	X	X	Regulates as if the outside temperature were 0 °C	Short circuit, outside temperature sensor	Check the outside temperature sensor (see page 116)
18	X	X	Regulates as if the outside temperature were 0 °C	Lead break, outside temperature sensor	Check the outside temperature sensor (see page 116)
20	X	X	Regulates without flow temperature sensor (low loss header)	Short circuit, system flow temperature sensor	Check the low loss header sensor (see page 118)
28	X	X	Regulates without flow temperature sensor (low loss header)	Lead break, system flow temperature sensor	Check the low loss header sensor (see page 118)
30	X	X	Burner blocked	Short circuit, boiler water temperature sensor	Check the boiler water temperature sensor (see page 118)
38	X	X	Burner blocked	Lead break, boiler water temperature sensor	Check the boiler water temperature sensor (see page 118)
40		X	Mixer closes	Short circuit, flow temperature sensor, heating circuit 2 (with mixer)	Check flow temperature sensor
44		X	Mixer closes	Short circuit, flow temperature sensor, heating circuit 3 (with mixer)	Check flow temperature sensor

Fault codes (cont.)

Dis- played fault code	Const.	Weath.- comp.	System char- acteristics	Cause	Measures
48		X	Mixer closes	Lead break, flow tempera- ture sensor, heating circuit 2 (with mixer)	Check flow temper- ature sensor
4C		X	Mixer closes	Lead break, flow tempera- ture sensor, heating circuit 3 (with mixer)	Check flow temper- ature sensor
50	X	X	No DHW heat- ing	Short circuit, cylinder temper- ature sensor	Check sensors (see page 118)
51	X	X	No DHW heat- ing	Short circuit, outlet temper- ature sensor	Check sensor (see page 118)
58	X	X	No DHW heat- ing	Lead break, cylinder temper- ature sensor	Check sensors (see page 118)
59	X	X	No DHW heat- ing	Lead break, outlet temper- ature sensor	Check sensor (see page 118)
A7		X	Control mode as per deliv- ered condition	Programming unit faulty	Replace program- ming unit



Fault codes (cont.)

Dis- played fault code	Const.	Weath.- comp.	System char- acteristics	Cause	Measures
A9		X	The burner operates at its lower output if a heating circuit with mixer is connected. The burner is blocked if only one heating circuit without mixer is connected.	Internal circulation pump blocked	Check the circulation pump
b0	X	X	Burner blocked	Short circuit, flue gas temperature sensor	Check the flue gas temperature sensor
b1	X	X	Control mode as per delivered condition	Communication error, programming unit	Check connections and replace the programming unit if required
b5	X	X	Control mode as per delivered condition	Internal fault	Replace the control unit
b7	X	X	Burner blocked	Boiler coding card faulty	Plug in boiler coding card or replace, if faulty
b8	X	X	Burner blocked	Lead break, flue gas temperature sensor	Check the flue gas temperature sensor
bA		X	Mixer regulates to a flow temperature of 20 °C	Communication error, extension kit for heating circuit 2 (with mixer)	Check extension kit connections and code

Fault codes (cont.)

Dis- played fault code	Const.	Weath.- comp.	System char- acteristics	Cause	Measures
bb		X	Mixer regulates to a flow temperature of 20 °C	Communication error, extension kit for heating circuit 3 (with mixer)	Check extension kit connections and code
bC		X	Control mode without remote control	Communication error, remote control Vitotrol heating circuit 1 (without mixer)	Check connections, lead, coding address "A0" and remote control settings (see page 144)
bd		X	Control mode without remote control	Communication error, remote control Vitotrol heating circuit 2 (with mixer)	Check connections, lead, coding address "A0" and remote control settings (see page 144)
bE		X	Control mode without remote control	Communication error, remote control Vitotrol heating circuit 3 (with mixer)	Check connections, lead, coding address "A0" and remote control settings (see page 144)
bF		X	Control mode	Incorrect LON communication module	Replace the LON communication module
C1	X	X	Control mode	Communication error extension EA1	Check electrical connections
C3	X	X	Control mode	Extension AM1 communication error	Check electrical connections

5457 552 GB



Fault codes (cont.)

Dis- played fault code	Const.	Weath.- comp.	System char- acteristics	Cause	Measures
C4	X	X	Control mode	Communica- tion error, Open Therm extension	Check Open Therm extension
C5	X	X	Control mode, max. pump speed	Communica- tion error, var- iable speed internal pump	Check the setting of coding address "30"
C6		X	Control mode, max. pump speed	Communica- tion error, external vari- able speed heating circuit pump, heat- ing circuit 2 (with mixer)	Check setting of coding address "E5"
C7	X	X	Control mode, max. pump speed	Communica- tion error, external vari- able speed heating circuit pump, heat- ing circuit 1 (without mixer)	Check setting of coding address "E5"
C8		X	Control mode, max. pump speed	Communica- tion error, external vari- able speed heating circuit pump, heat- ing circuit 3 (with mixer)	Check setting of coding address "E5"
Cd	X	X	Control mode	Communica- tion error, Vitocom 100 (KM BUS)	Check connec- tions, Vitocom 100 and coding address "95"

Fault codes (cont.)

Dis- played fault code	Const.	Weath.- comp.	System char- acteristics	Cause	Measures
CE	X	X	Control mode	Communica- tion error, ext. extension	Check electrical connections
CF		X	Control mode	Communica- tion error, LON commu- nication mod- ule	Replace the LON communication module
d6	X	X	Control mode	Input DE1 reports a fault at extension EA1	Remove fault at the appliance con- cerned
d7	X	X	Control mode	Input DE2 reports a fault at extension EA1	Remove fault at the appliance con- cerned
d8	X	X	Control mode	Input DE3 reports a fault at extension EA1	Remove fault at the appliance con- cerned
dA		X	Control mode without room influence	Short circuit, room temper- ature sensor, heating circuit 1 (without mixer)	Check room tem- perature sensor, heating circuit 1
db		X	Control mode without room influence	Short circuit, room temper- ature sensor, heating circuit 2 (with mixer)	Check room tem- perature sensor, heating circuit 2
dC		X	Control mode without room influence	Short circuit, room temper- ature sensor, heating circuit 3 (with mixer)	Check room tem- perature sensor, heating circuit 3

Fault codes (cont.)

Dis- played fault code	Const.	Weath.- comp.	System char- acteristics	Cause	Measures
dd		X	Control mode without room influence	Lead break, room temperature sensor, heating circuit 1 (without mixer)	Check room temperature sensor for heating circuit 1 and remote control settings (see page 144)
dE		X	Control mode without room influence	Lead break, room temperature sensor, heating circuit 2 (with mixer)	Check room temperature sensor for heating circuit 2 and remote control settings (see page 144)
dF		X	Control mode without room influence	Lead break, room temperature sensor, heating circuit 3 (with mixer)	Check room temperature sensor for heating circuit 3 and remote control settings (see page 144)
E0		X	Control mode	Fault external LON subscriber	Check connections and LON subscribers
E4	X	X	Burner blocked	Fault, supply voltage 24 V	Replace the control unit.
E5	X	X	Burner blocked	Fault, flame amplifier	Replace the control unit.
E8	X	X	Burner in a fault state	The ionisation current lies outside the permissible range	Check the ionisation electrode and cable. Press reset button R .
EA	X	X	Burner in a fault state	The ionisation current lies outside the permissible range during calibration	Check the ionisation electrode and cable. Press reset button R .

Fault codes (cont.)

Dis- played fault code	Const.	Weath.- comp.	System char- acteristics	Cause	Measures
Eb	X	X	Burner in a fault state	Heat draw-off repeatedly too low during calibration	Initiate a heat draw-off. Switch the boiler OFF and ON again. Press reset button R .
EC	X	X	Burner in a fault state	Parameter fault during calibration	Press reset button R or replace boiler coding card and press reset button R .
Ed	X	X	Burner in a fault state	Internal fault	Replace the control unit.
EE	X	X	Burner in a fault state	Flame signal is not present or too weak at burner start	Check the ionisation electrode and connecting cable, measure the ionisation current, check the gas supply (gas pressure and gas flow limiter), check the gas train, ignition, ignition module, ignition electrodes and the condensate drain. Press reset button R .



Fault codes (cont.)

Dis- played fault code	Const.	Weath.- comp.	System char- acteristics	Cause	Measures
EF	X	X	Burner in a fault state	Flame is lost after flame has built.	Check the gas supply (gas pressure and gas flow limiter), check the flue gas/ventilation air system for flue gas recirculation, check the ionisation electrode (replace if required). Press reset button R .
F0	X	X	Burner blocked	Internal fault	Replace the control unit.
F1	X	X	Burner in a fault state	Flue gas temperature limiter has responded	Check the heating system fill level. Vent the system. Press reset button R after the flue system has cooled down.
F2	X	X	Burner in a fault state	The temperature limiter has responded	Check the heating system fill level. Check the circulation pump. Vent the system. Check the temperature limiter and connecting cables. Press reset button R .
F3	X	X	Burner in a fault state	Flame signal is already present at burner start	Check the ionisation electrode and connecting cable. Press reset button R .

Fault codes (cont.)

Dis- played fault code	Const.	Weath.- comp.	System char- acteristics	Cause	Measures
F8	X	X	Burner in a fault state	The fuel valve closes too late	Check the gas train. Check both control paths. Press reset button R .
F9	X	X	Burner in a fault state	Fan speed too low during burner start	Check the fan, the fan connecting cables and power supply; check the fan control. Press reset button R .
FA	X	X	Burner in a fault state	Fan not at standstill	Check the fan, fan connecting cables and fan control. Press reset button R .
FC	X	X	Burner in a fault state	Gas train faulty or faulty modulation valve control or flue gas path blocked	Check the gas train. Check the flue gas system.. Press reset button R .
Fd	X	X	Burner in a fault state	Fault, combustion controller	Check ignition electrodes and connecting cables Check whether a strong interference (EMC) field exists near the appliance. Press reset button R . Replace control unit if the fault persists.

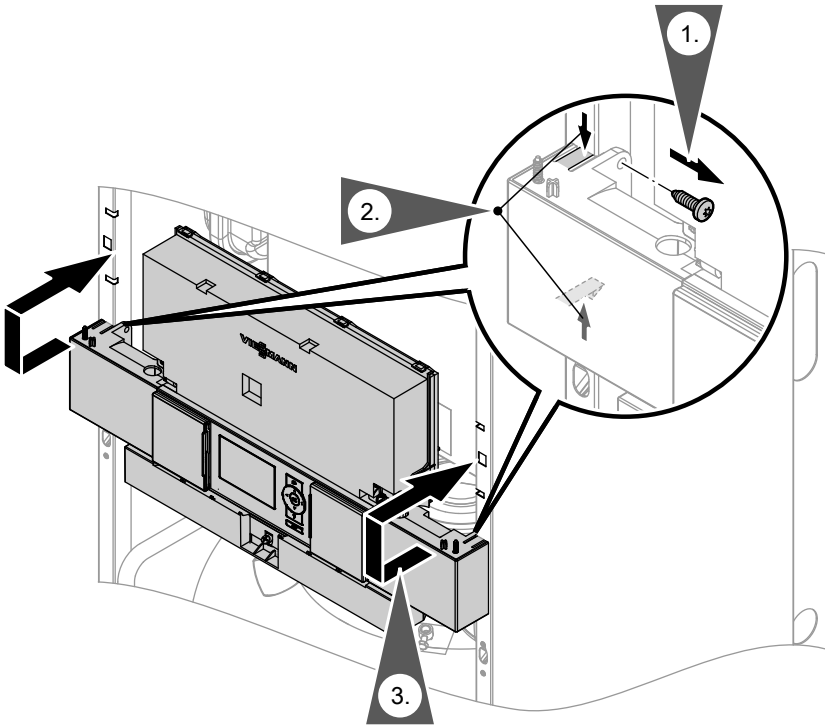
Fault codes (cont.)

Dis- played fault code	Const.	Weath.- comp.	System char- acteristics	Cause	Measures
FE	X	X	Burner blocked or in a fault state	Boiler coding card or main PCB faulty	Press reset button R . Replace boiler coding card or con- trol unit if the fault persists.
FF	X	X	Burner blocked or in a fault state	Internal fault or reset but- ton R blocked	Start the appliance again. Replace the control unit if the appliance will not restart.

Repairs

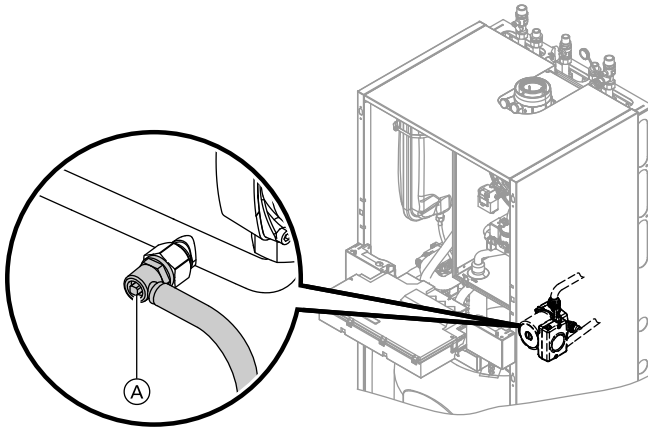
Putting control unit in maintenance position

If required for commissioning and servicing, the control unit can be put in a different position.



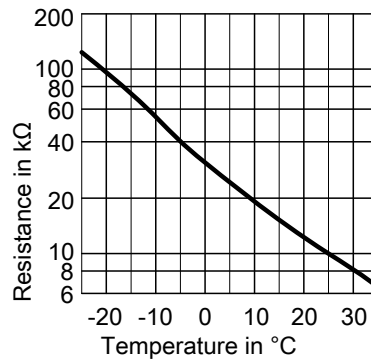
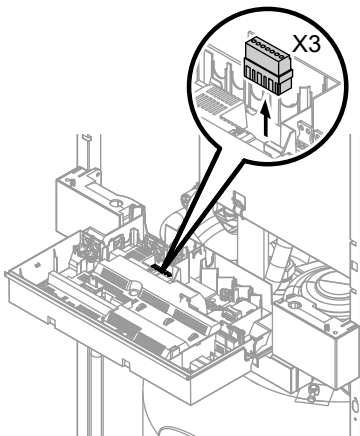
Repairs (cont.)

Draining the boiler on the heating water side



1. Close the shut-off valves on the heating water side.
2. Route hose at drain valve (A) into a suitable container or drain outlet.
3. Open drain valve (A) and drain the boiler as much as required.

Checking the outside temperature sensor (weather-compensated control unit)



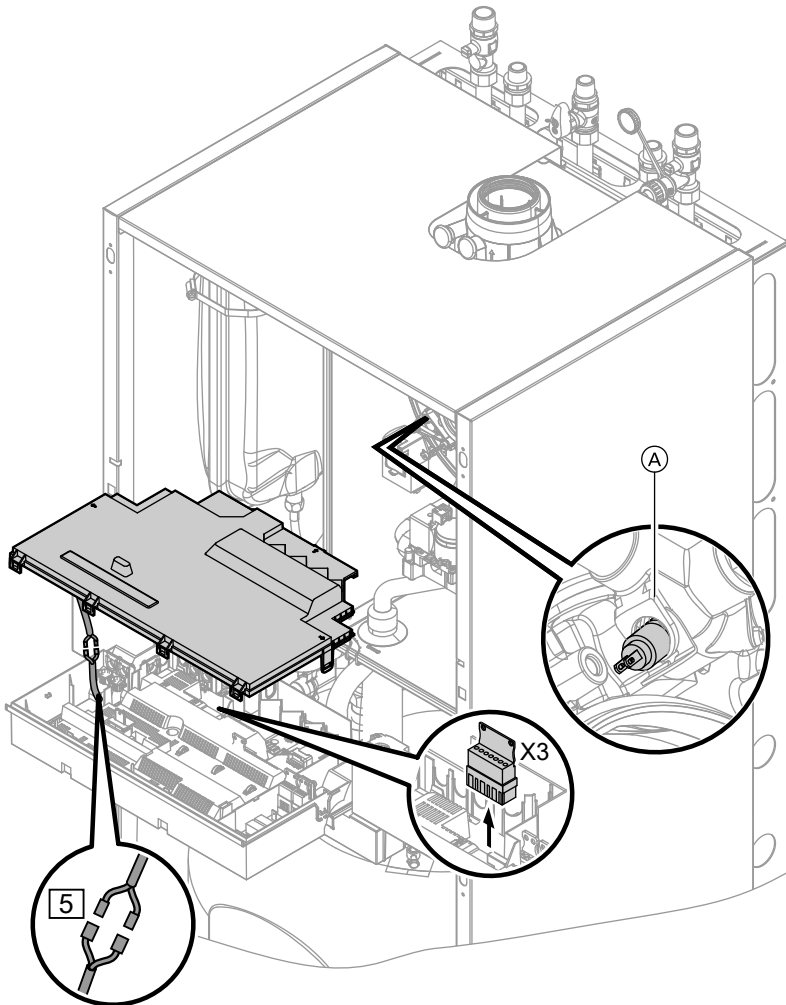
1. Pull plug "X3" from the control unit.

Repairs (cont.)

2. Test the resistance of the outside temperature sensor across terminals "X3.1" and "X3.2" on the disconnected plug and compare it with the curve.
3. Where actual values deviate severely from the curve values, disconnect the wires at the sensor and repeat test on the sensor itself.
4. Subject to result, replace the lead or the outside temperature sensor.

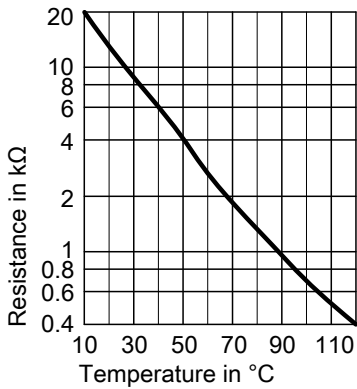
Repairs (cont.)

Checking the boiler temperature sensor, cylinder temperature sensor or flow temperature sensor of the low loss header



Repairs (cont.)

1. ■ **Boiler water temperature sensor**
Pull the leads from boiler water temperature sensor (A) and check the resistance.
 - **Cylinder temperature sensor**
Pull plug [5] from the cable harness at the control unit and check the resistance.
 - **Flow temperature sensor**
Pull plug "X3" from the control unit and check the resistance across terminals "X3.4" and "X3.5".
2. Check the sensor resistance and compare the actual values with the curve.
 3. Replace the sensor in case of severe deviation.



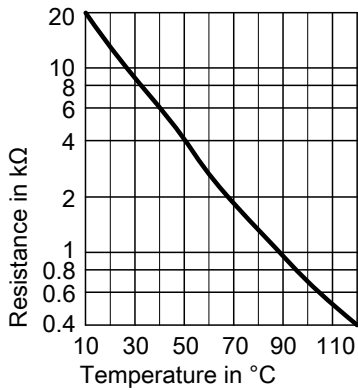
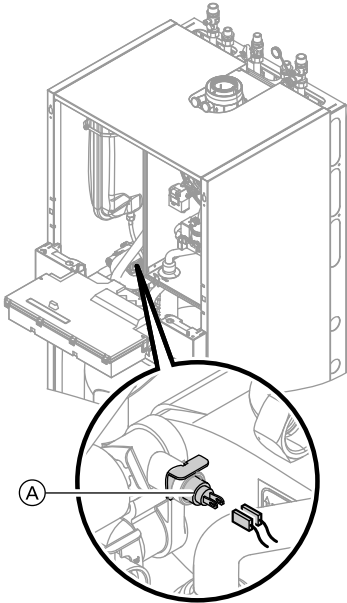
Danger

The boiler water temperature sensor is immersed in the heating water (risk of scalding). Drain the boiler on the heating water side before replacing the sensor.

Repairs (cont.)

Checking the outlet temperature sensor

1. Pull the leads from outlet temperature sensor (A).



2. Check the sensor resistance and compare it with the curve.
3. Replace the sensor in case of severe deviation.



Danger

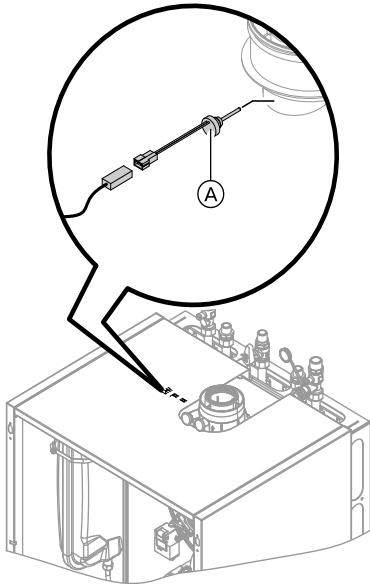
The outlet temperature sensor is immersed in the DHW (risk of scalding).

Drain the DHW side of the boiler before replacing the sensor.

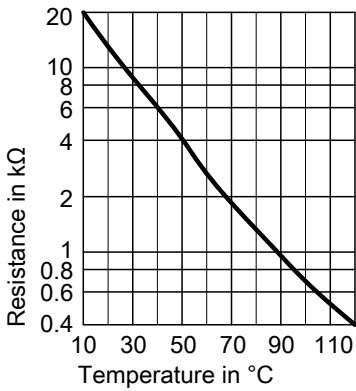
Repairs (cont.)

Checking the flue gas temperature sensor

The flue gas temperature sensor locks out the boiler when the permissible flue gas temperature is exceeded. Reset the interlock after the flue system has cooled down by pressing reset button **R**.



1. Pull the leads from flue gas temperature sensor (A).



2. Check the sensor resistance and compare it with the curve.
3. Replace the sensor in case of severe deviation.

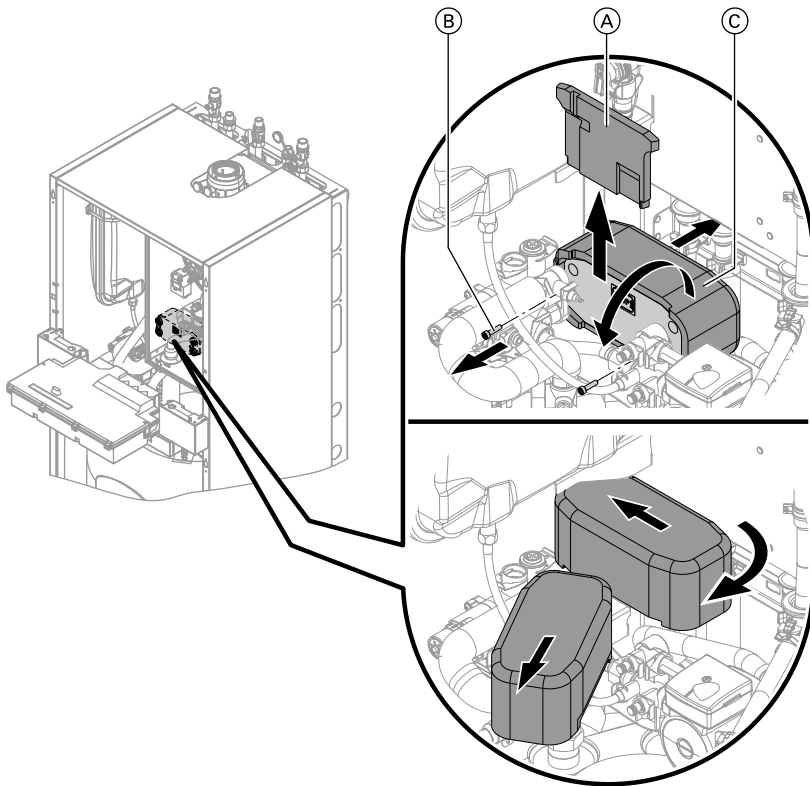
Repairs (cont.)

Checking the plate heat exchanger

Note

Drain the boiler on its heating water and DHW side.

During removal, small amounts of water may trickle out and escape from the plate heat exchanger.



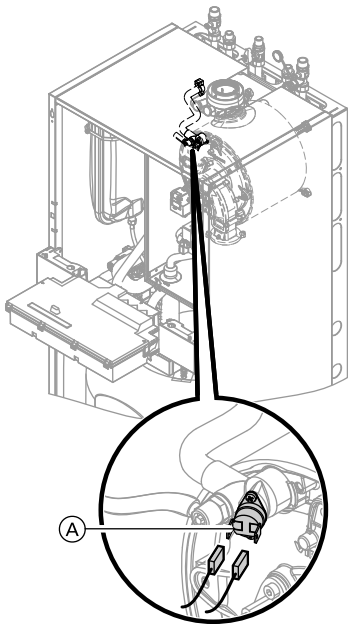
1. Shut off and drain the boiler on its heating water and DHW side.
2. Release the side closures and pivot the control unit forward.
3. Remove the siphon (see page 27).
4. Push insulating mat (A) upwards and remove.
5. Undo two screws (B) and pull out plate heat exchanger (C) to the front.

Repairs (cont.)

6. Check the connections on the heating water and DHW side for contamination and scaling; if required, replace the plate heat exchanger.
7. Install in reverse order with new gaskets.

Checking the temperature limiter

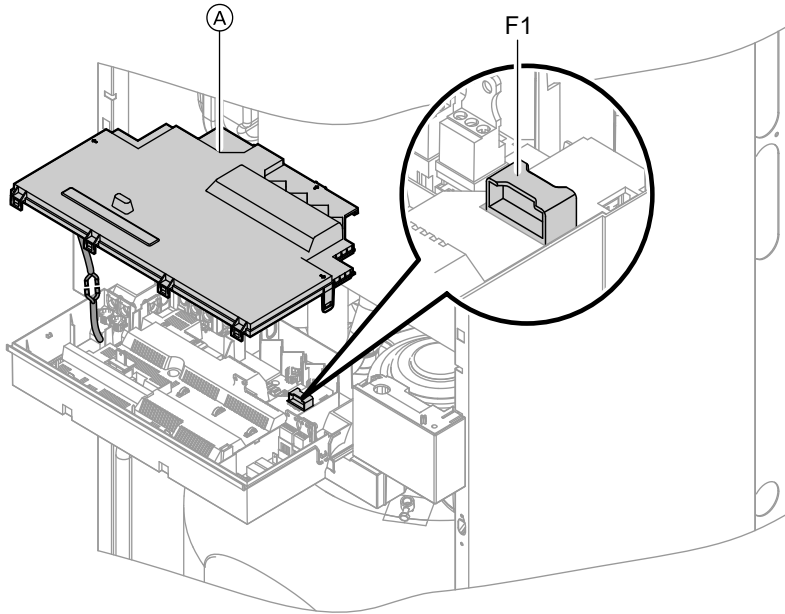
If the burner control unit cannot be reset after a fault shutdown, although the boiler water temperature is below approx. 75 °C, check the following:



1. Pull the leads from temperature limiter **A**.
2. Check the continuity of the temperature limiter with a multimeter.
3. Remove the faulty temperature limiter.
4. Coat the replacement temperature limiter with heat conducting paste and install it.
5. After commissioning, press reset button **R** on the control unit.

Repairs (cont.)

Checking the fuse





1. Switch OFF the power.
2. Release the side closures and pivot the control unit down.
3. Remove cover (A).
4. Check fuse F1 (see connection and wiring diagram).

Extension kit for heating circuit with mixer

Checking the setting of rotary selector S1

The rotary selector on the PCB of the extension kit defines the assignment to the relevant heating circuit.

Heating circuit	Rotary selector S1 setting
Heating circuit with mixer M2 (heating circuit 2)	2 
Heating circuit with mixer M3 (heating circuit 3)	4 

Repairs (cont.)

Checking the rotational direction of the mixer motor

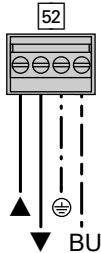
After being switched ON, the boiler implements a self-test. During this, the mixer is opened and closed again.

Note the rotational direction of the mixer motor during its self-test. Then set the mixer manually to "Open" again.


Note
The flow temperature sensor must now capture a higher temperature. If the temperature drops, either the motor is turning in the wrong direction or the mixer set is incorrectly fitted.

 Mixer installation instructions

Changing the rotational direction of the mixer motor (if required)



1. Remove the upper casing cover of the extension kit.

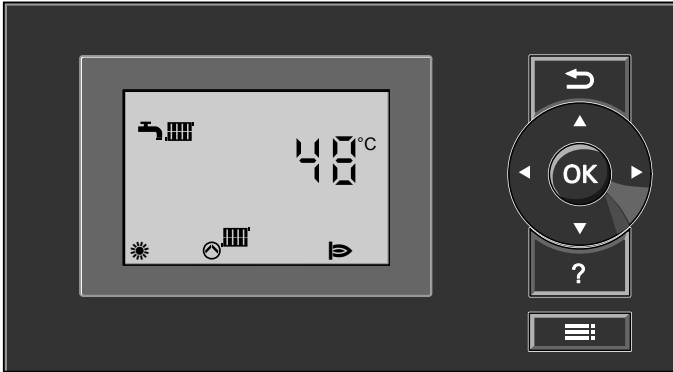
 **Danger**
An electric shock can be life-threatening. Before opening the boiler, disconnect from the mains voltage, for example at the fuse or the main isolator.

2. At plug **52**, swap the cores at terminals "▲" and "▼".
3. Refit the casing cover.

Checking the Vitotronic 200-H (accessories)

The Vitotronic 200-H is connected to the control unit via the LON cable. To test the connection, carry out a subscriber check at the boiler control unit (see page 57).

Constant temperature control unit



Heating mode

The selected set boiler water temperature will be maintained when a demand is being raised by the room thermostat and the heating program is set to DHW and central heating "☀️➡️".

The boiler water temperature will be maintained at the default frost protection temperature when there is no demand.

The electronic temperature limiter inside the burner control unit limits the boiler water temperature.

Flow temperature setting range: 20 to 74 °C.

Heating the DHW primary cylinder from cold

The heating circuit pump is switched ON and the three-way diverter valve will be changed over, if the cylinder temperature sensor captures a temperature lower than the defaulted set temperature.

- The cylinder primary pump is switched ON if the boiler water temperature \geq set DHW temperature.
- The burner is switched ON if the boiler water temperature \leq set DHW temperature, and the cylinder primary pump is switched ON when the required boiler water temperature is reached.

The primary cylinder is heated up to the set DHW temperature. Heating stops when the set temperatures have been reached at the cylinder temperature sensor and at the outlet temperature sensor.

After heating, the cylinder primary pump and the three-way diverter valve remain ON for a further 30 s.

Constant temperature control unit (cont.)

Boosting when DHW is drawn off

When DHW is drawn off, cold water enters at the bottom of the primary cylinder.

The heating circuit pump is switched ON and the three-way diverter valve is changed over, if the cylinder temperature sensor recognises a temperature lower than the set temperature.

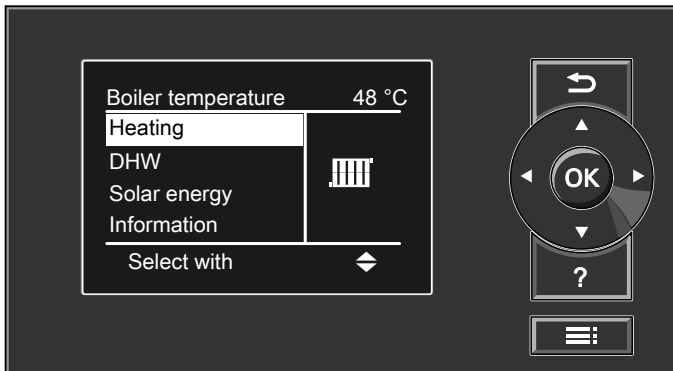
- The cylinder primary pump is switched ON if the boiler water temperature \geq set DHW temperature.
- The burner is switched ON if the boiler water temperature \leq set DHW temperature, and the cylinder primary pump is switched ON when the required boiler water temperature is reached.

The DHW is controlled to the specified temperature via the cylinder temperature sensor.

The primary cylinder continues to be heated up after the draw off process has terminated, until the set DHW temperature has been reached at the cylinder temperature sensor.

The cylinder primary pump and the three-way diverter valve remain ON for a further 30 s.

Weather-compensated control unit



Weather-compensated control unit (cont.)

Heating mode

The control unit determines a set boiler water temperature subject to outside temperature or room temperature (if a room temperature-dependent remote control is connected) and to the slope/level of the heating curve.

The determined set boiler water temperature is transferred to the burner control unit. From the set and actual boiler water temperatures, the burner control unit calculates the modulation level and regulates the burner accordingly.

The electronic temperature limiter inside the burner control unit limits the boiler water temperature.

Heating the DHW primary cylinder from cold

The heating circuit pump is switched ON and the three-way diverter valve will be changed over, if the cylinder temperature sensor captures a temperature lower than the defaulted set temperature.

- The cylinder primary pump is switched ON if the boiler water temperature \geq set DHW temperature.
- The burner is switched ON if the boiler water temperature \leq set DHW temperature, and the cylinder primary pump is switched ON when the required boiler water temperature is reached.

The primary cylinder is heated up to the set DHW temperature. Heating stops when the set temperatures have been reached at the cylinder temperature sensor and at the outlet temperature sensor.

After heating, the cylinder primary pump and the three-way diverter valve remain ON for a further 30 s.

Boosting when DHW is drawn off

When DHW is drawn off, cold water enters at the bottom of the primary cylinder.

The heating circuit pump is switched ON and the three-way diverter valve is changed over, if the cylinder temperature sensor recognises a temperature lower than the set temperature.

- The cylinder primary pump is switched ON if the boiler water temperature \geq set DHW temperature.
- The burner is switched ON if the boiler water temperature \leq set DHW temperature, and the cylinder primary pump is switched ON when the required boiler water temperature is reached.

Weather-compensated control unit (cont.)

The DHW is controlled to the specified temperature via the cylinder temperature sensor.

The primary cylinder continues to be heated up after the draw off process has terminated, until the set DHW temperature has been reached at the cylinder temperature sensor.

The cylinder primary pump and the three-way diverter valve remain ON for a further 30 s.

Boosting DHW heating

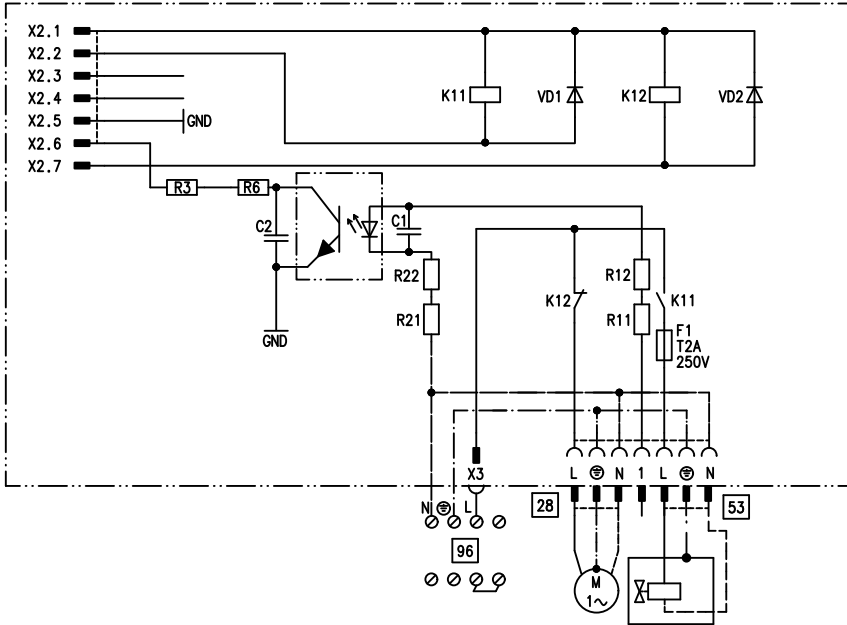
The booster heating function is activated if a switching period is selected for the fourth time phase.

The set temperature value for the heating boost is adjustable in coding address "58".

Function description

Internal extensions

Internal extension H1

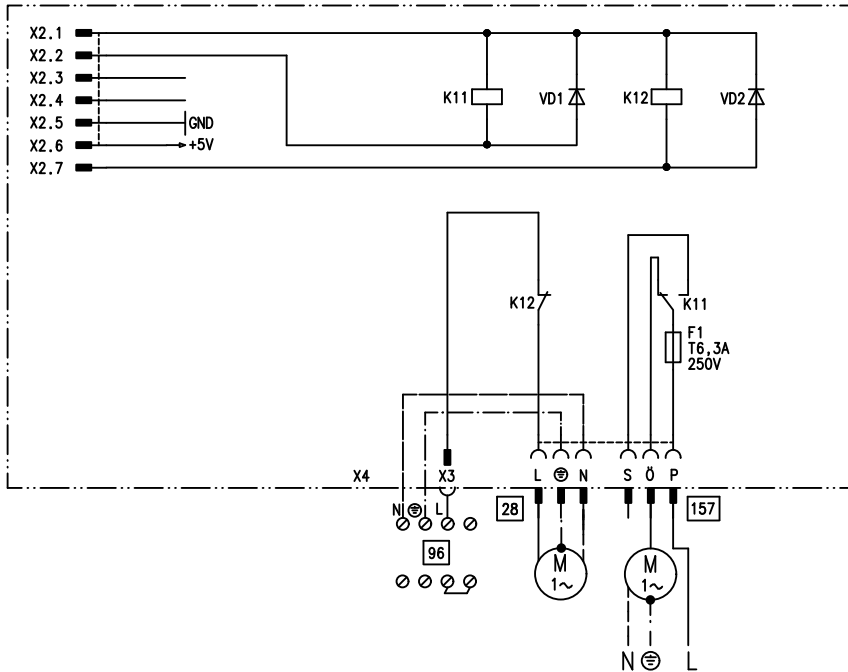


The internal extension H1 is integrated into the control unit casing. The cylinder primary pump is connected to relay output **28**.

An external safety valve can be connected to **53**.

Internal extensions (cont.)

Internal extension H2 (accessories)



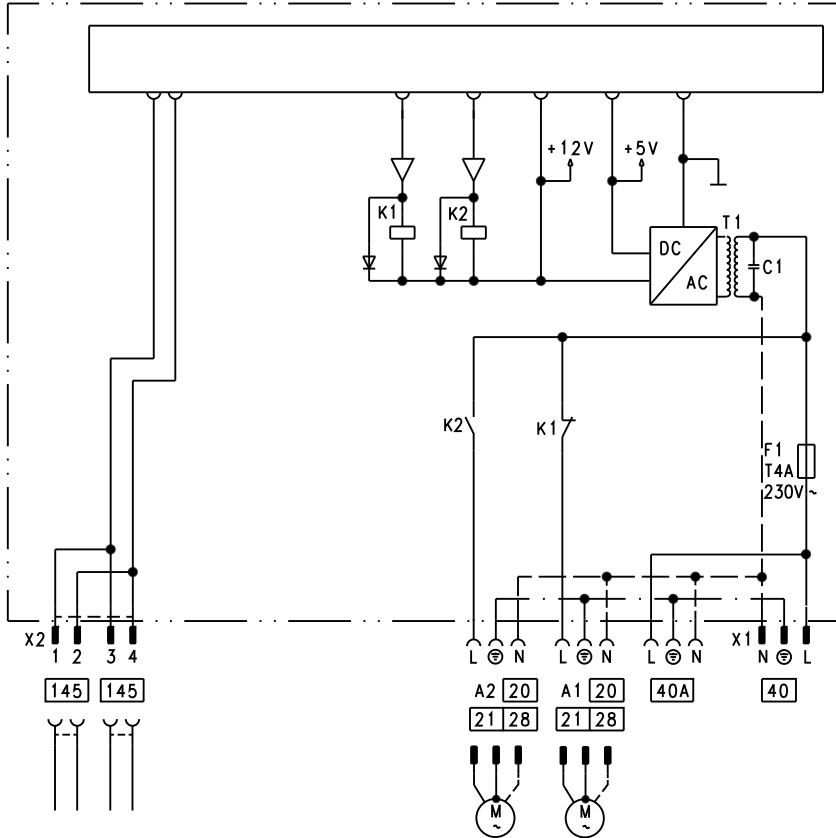
The internal extension H2 is integrated into the control unit casing instead of the internal extension H1. The cylinder primary pump is connected to relay output **28**.

An external extractor interlock can be connected to **157**.

Function description

External extensions (accessories)

Extension AM1



- A1 Circulation pump
- A2 Circulation pump
- 40 Power supply [terminals]

- 40A Power supply terminal for additional accessories
- 145 KM BUS

External extensions (accessories) (cont.)

Functions

One of the following circulation pumps can be connected to each of the terminals A1 and A2:

- Heating circuit pump for the heating circuit without mixer
- Circulation pump for cylinder heating
- DHW circulation pump

Allocating functions for outputs A1 and A2

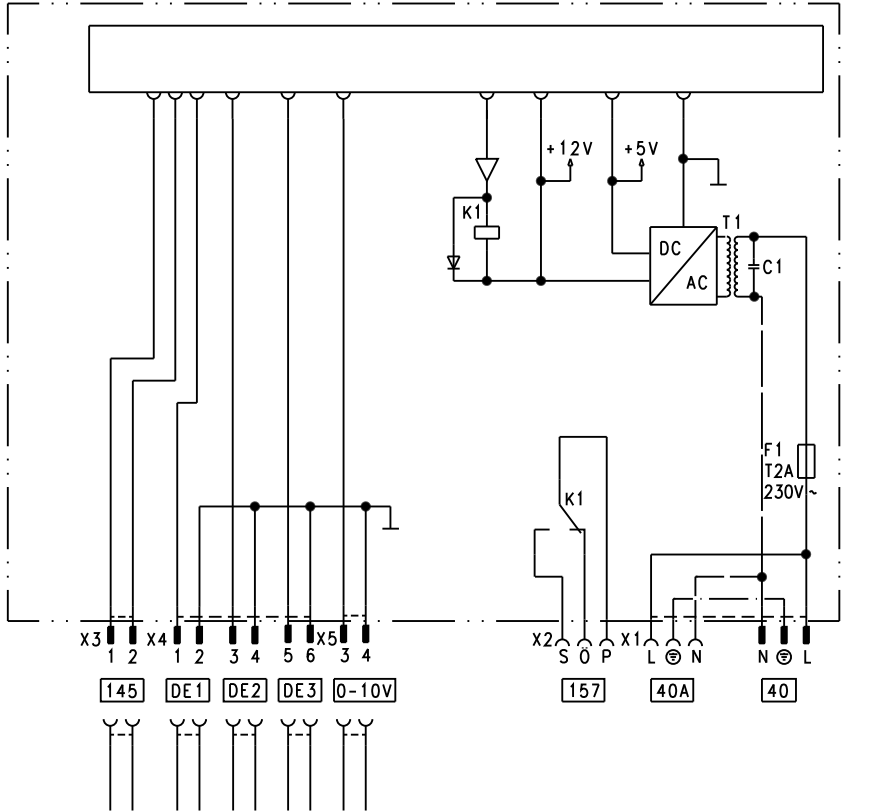
Select the function for these outputs via the codes on the boiler control unit:

- Output A1: Code 33
- Output A2: Code 34

Function	Code	
	Output A1	Output A2
DHW circulation pump 28	33:0	34:0 (delivered cond.)
Heating circuit pump 20	33:1 (delivered cond.)	34:1
Circulation pump for cylinder heating 21	33:2	34:2

External extensions (accessories) (cont.)

Extension EA1



- DE1 Digital input 1
- DE2 Digital input 2
- DE3 Digital input 3
- 0 - 10 V 0 - 10 V input
- 40 Power supply [terminals]
- 40A Power supply terminal for additional accessories

- 157 Central fault message/feed pump/DHW circulation pump (zero volt)
- 145 KM BUS

External extensions (accessories) (cont.)

Digital data inputs DE1 to DE3

The following functions can be connected alternatively:

- External heating program changeover for each heating circuit
- External blocking
- External blocking with fault message input
- External demand with minimum boiler water temperature
- Fault message input
- Short operation of the DHW circulation pump

The hooked-up contacts must correspond to protection class II.

Input function assignment

Select the input functions via the codes on the boiler control unit:

- DE1: Code 3A
- DE2: Code 3b
- DE3: Code 3C

Assigning the heating program changeover function to the heating circuits

Assign the heating program changeover function for the respective heating circuit via code d8 at the boiler control unit:

- Changeover via input DE1: Code d8:1
- Changeover via input DE2: Code d8:2
- Changeover via input DE3: Code d8:3

Select the effect of the heating program changeover via code d5:

Set the duration of the changeover via code F2.

Effect on the pumps of external blocking function

The effect on the internal circulation pump is selected with code 3E.

The effect on the relevant heating circuit pump is selected with code d6.

The effect on a circulation pump for cylinder heating is selected with code 5E.

Effect on the pumps of the external demand function

The effect on the internal circulation pump is selected with code 3F.

The effect on the relevant heating circuit pump is selected with code d7.

The effect on a circulation pump for cylinder heating is selected with code 5F.

DHW circulation pump runtime for brief operation

The runtime is set in code 3d.

Analogue input 0 - 10 V

The 0 - 10 V hook-up provides an additional set boiler water temperature:

0 - 1 V taken as "no default set boiler water temperature".

1 V \triangleq set value 10 °C

10 V \triangleq set value 100 °C

Output 157

The following functions can be connected to output 157:

- Feed pump to substation
or
- DHW circulation pump
or
- Fault message facility

Function description

External extensions (accessories) (cont.)

Function assignment

Select the function of output 157 via code 36 at the boiler control unit.

Control functions

External heating program changeover

The "External heating program changeover" function is connected via extension EA1. There are 3 inputs available at extension EA1 (DE1 to DE3).

The function is selected via the following codes:

Heating program changeover	Code
Input DE1	3A:1
Input DE2	3b:1
Input DE3	3C:1

Assign the heating program changeover function for the respective heating circuit via code d8 at the boiler control unit:

Heating program changeover	Code
Changeover via input DE1	d8:1
Changeover via input DE2	d8:2
Changeover via input DE3	d8:3

You can select which direction the heating program changeover takes in coding address "d5":

Heating program changeover	Code
Changeover towards "Permanently reduced" or "Permanent standby" mode (subject to the selected set value)	d5:0
Changeover towards "Constant heating mode"	d5:1

The duration of the heating program changeover can be adjusted in coding address "F2":

Control functions (cont.)

Heating program changeover	Code
No heating program changeover	F2:0
Duration of the heating program changeover 1 to 12 hours	F2:1 to F2:12

The heating program changeover stays enabled for as long as the contact remains closed, but at least as long as the duration selected in coding address "F2".

External blocking

The "External blocking" and "External blocking and fault message input" functions are connected via extension EA1. There are 3 inputs available at extension EA1 (DE1 to DE3).

The function is selected via the following codes:

External blocking	Code
Input DE1	3A:3
Input DE2	3b:3
Input DE3	3C:3

External blocking and fault message input	Code
Input DE1	3A:4
Input DE2	3b:4
Input DE3	3C:4

The effect on the internal circulation pump is selected with code 3E.

The effect on the relevant heating circuit pump is selected with code d6.

External demand

The "External demand" function is connected via extension EA1. There are 3 inputs available at extension EA1 (DE1 to DE3).

The function is selected via the following codes:

Function description

Control functions (cont.)

External demand	Code
Input DE1	3A:2
Input DE2	3b:2
Input DE3	3C:2

The effect on the internal circulation pump is selected with code 3F.
The effect on the relevant heating circuit pump is selected with code d7.

The minimum set boiler water temperature in case of external demand is selected in coding address "9b".

Venting program

During the venting program, the circulation pump will be alternately switched ON and OFF for 30 s respectively over a period of 20 min.

For a certain period, the diverter valve is alternately set towards heating and DHW heating. The burner is switched OFF during the venting program.

Activate venting program: See "Venting the heating system".

Fill program

In the delivered condition, the diverter valve is set to its central position, enabling the system to be filled completely. After switching ON the control unit, the diverter valve no longer goes into its central position.

Afterwards, the diverter valve can be moved via the fill function into the central position (see "Filling the heating system"). In this position, the control unit can be switched OFF, and the system can be filled completely.

Filling with the control unit switched ON

If the system is to be filled with the control unit switched ON, the diverter valve is moved in the fill program to its central position and the pump starts.

When the function is enabled, the burner shuts down. The program is automatically disabled after 20 min.

Screed drying function

The screed function enables screeds to be dried. For this, always observe the details specified by the screed manufacturer.

Control functions (cont.)

When the screed drying function is activated, the heating circuit pump of the mixer circuit is switched ON and the flow temperature will be held in accordance with the selected profile. After completion (30 days), the mixer circuit will again be regulated automatically via the set parameters.

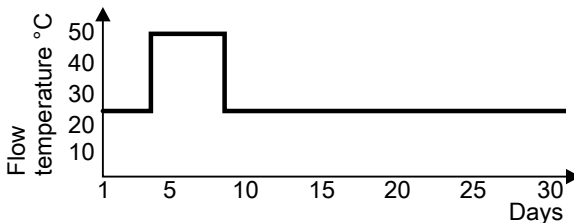
Observe EN 1264. The report to be provided by the heating contractor must contain the following heat-up details:

- Heat-up data with respective flow temperatures
- Max. flow temperature achieved
- Operating conditions and outside temperature during handover

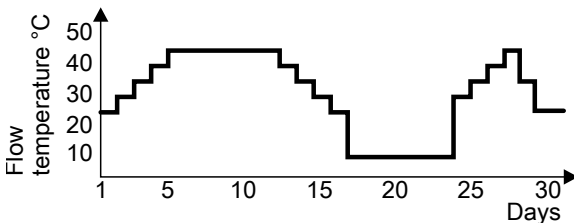
The various temperature profiles are adjustable via coding address "F1".

The function continues after power failure or after the control unit has been switched OFF. "Heating and DHW" will be started after the screed drying function has been terminated or if code "F1:0" is manually adjusted.

Temperature profile 1: (EN 1264-4) code "F1:1"



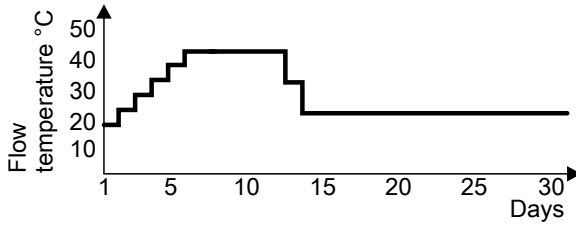
Temperature profile 2: (ZV parquet and flooring technology) code "F1:2"



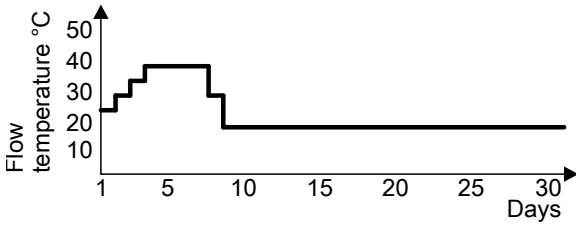
Function description

Control functions (cont.)

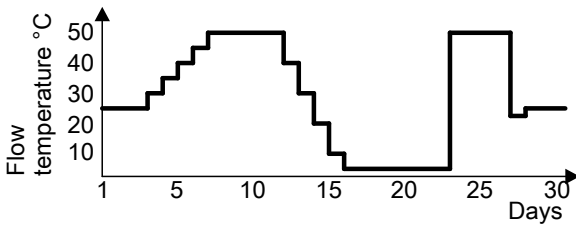
Temperature profile 3: Code "F1:3"



Temperature profile 4: Code "F1:4"

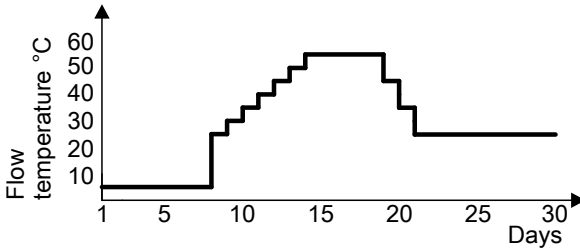


Temperature profile 5: Code "F1:5"

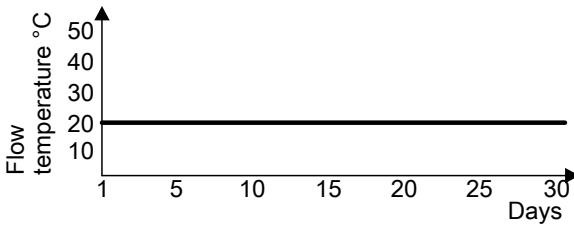


Control functions (cont.)

Temperature profile 6: Code "F1:6"



Temperature profile 7: Code "F1:15"



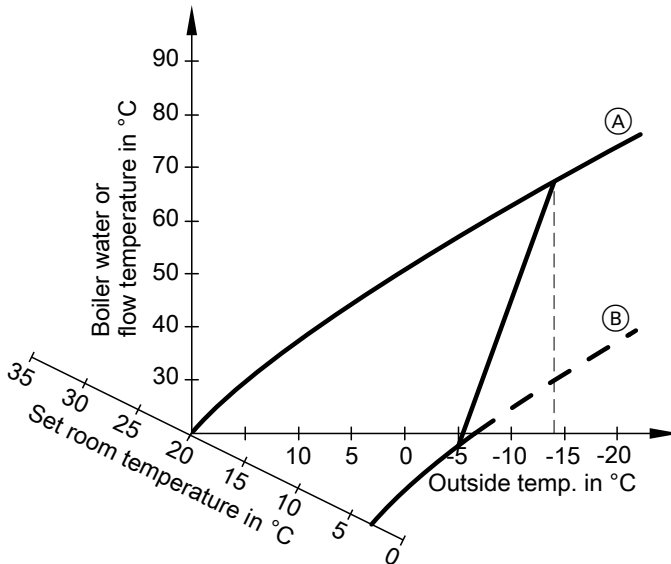
Raising the reduced room temperature

During operation with reduced room temperature, the reduced set room temperature can be automatically raised subject to the outside temperature. The temperature is raised in accordance with the selected heating curve, but no higher than the set standard room temperature.

The outside temperature limits for the start and end of the temperature raising can be adjusted via coding addresses "F8" and "F9".

Control functions (cont.)

Example using the settings in the delivered condition



(A) Heating curve for operation with standard room temperature

(B) Heating curve for operation with reduced room temperature

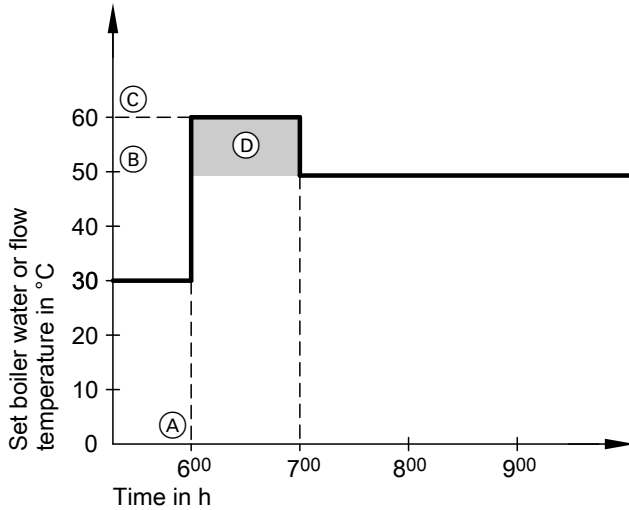
Reducing the heat-up time

During the transition from operation with reduced room temperature to operation with standard room temperature, the boiler water or flow temperature will be raised in accordance with the selected heating curve. The boiler water or flow temperature can be automatically increased.

The value and duration of the additional increase of the set boiler water or flow temperature can be adjusted in coding addresses "FA" and "Fb".

Control functions (cont.)

Example using the settings in the delivered condition



- Ⓐ Start of operation with standard room temperature
- Ⓑ Set boiler water or flow temperature in accordance with the selected heating curve
- Ⓒ Set boiler water or flow temperature in accordance with coding address "FA":
 $50\text{ °C} + 20\% = 60\text{ °C}$
- Ⓓ Duration of operation with raised set boiler water or flow temperature in accordance with coding address "Fb":
 60 min

Function description

Assigning the heating circuits to the remote control

The heating circuit assignment must be configured when commissioning the Vitotrol 200A or Vitotrol 300A.

Heating circuit	Configuration	
	Vitotrol 200A	Vitotrol 300A
The remote control affects the heating circuit without mixer A1	H 1	HK1
The remote control affects the heating circuit with mixer M2	H 2	HK2
The remote control affects the heating circuit with mixer M3	H 3	HK3

Note

The Vitotrol 300A can be assigned to one heating circuit, two heating circuits or all three heating circuits.

Electronic combustion controller

The electronic combustion controller utilises the physical correlation between the level of the ionisation current and the air factor λ . For all gas qualities, the maximum ionisation current results with air factor 1.

The ionisation signal is evaluated by the combustion controller, and the air factor is adjusted to between $\lambda=1.24$ and 1.44 . This range provides for an optimum combustion quality. Thereafter, the electronic gas valve regulates the required gas volume subject to the prevailing gas quality.

To check the combustion quality, the CO_2 content or the O_2 content of the flue gas is measured. The actual values enable the prevailing air factor to be determined. The relationship between the CO_2 or O_2 content and air factor λ is illustrated in the following table.

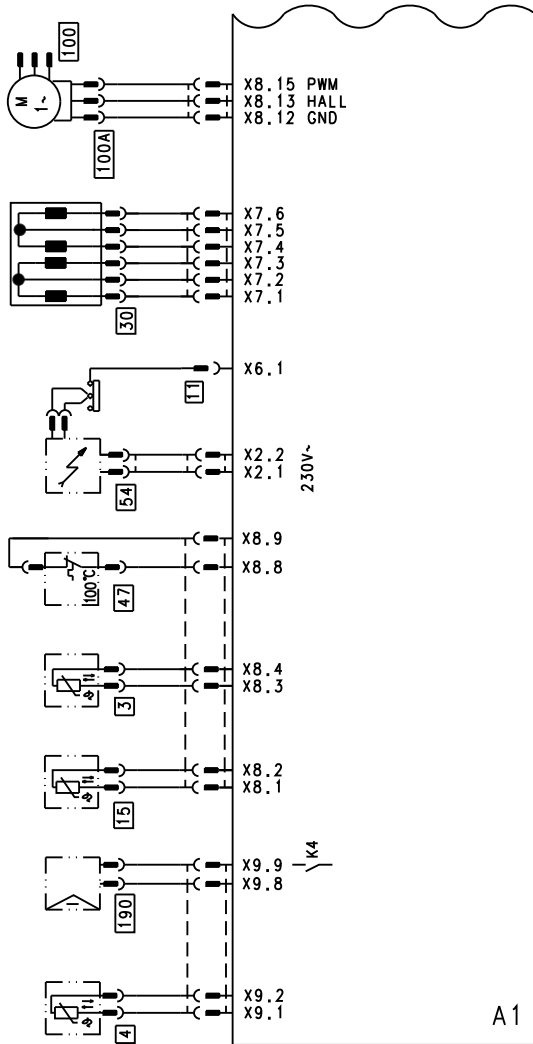
Electronic combustion controller (cont.)

Air factor λ – CO₂/O₂ content

Air factor λ	O ₂ content (%)	CO ₂ content (%) for natural gas H	CO ₂ content (%) for LPG P
1.24	4.4	9.2	10.9
1.27	4.9	9.0	10.6
1.30	5.3	8.7	10.3
1.34	5.7	8.5	10.0
1.37	6.1	8.3	9.8
1.40	6.5	8.1	9.6
1.44	6.9	7.8	9.3

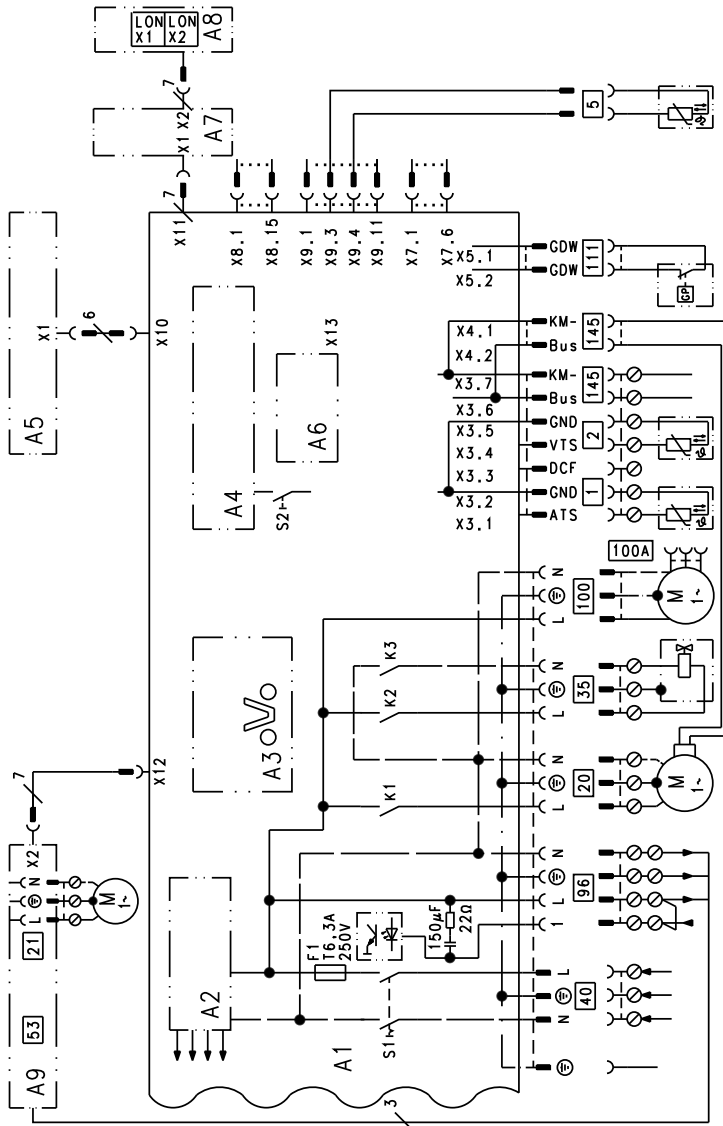
To achieve an optimum combustion control, the system regularly carries out an automatic self-calibration; also after a power failure (shutdown). For this, the combustion is briefly regulated to max. ionisation current (equals air factor $\lambda=1$). The automatic calibration is carried out shortly after the burner start and lasts approx. 5 s. During calibration, higher than normal CO emissions may occur briefly.

Internal connection diagram



- | | | | |
|------|---------------------------------|------|----------------------------------|
| A1 | Main PCB | 30 | Stepper motor for diverter valve |
| X... | Electrical interfaces | 47 | Thermal circuit breaker |
| 3 | Boiler water temperature sensor | 54 | Ignition unit |
| 4 | Outlet temperature sensor | 100 | Fan motor |
| 11 | Ionisation electrode | 100A | Fan motor control |
| 15 | Flue gas temperature sensor | 190 | Modulation coil |

External connection diagram



- | | | | |
|----|-------------------|----|---------------------|
| A1 | Main PCB | A4 | Burner control unit |
| A2 | Power supply unit | A5 | Programming unit |
| A3 | Optolink | A6 | Coding card |

5457 552 GB

Service



External connection diagram (cont.)

A7	Connection adaptor	<u>20</u>	Internal circulation pump
A8	LON communication module	<u>35</u>	Gas solenoid valve
A9	Internal extension H1	<u>40</u>	Power supply [terminals]
S1	ON/OFF switch	<u>96</u>	Power supply accessories and Vitotrol 100
S2	Reset button		
X...	Electrical interfaces	<u>100</u>	Fan motor
<u>1</u>	Outside temperature sensor	<u>100</u> A	Fan motor control
<u>2</u>	Flow temperature sensor, low loss header	<u>111</u>	Gas pressure limiter
<u>5</u>	Cylinder temperature sensor (plug on the cable harness)	<u>145</u>	KM BUS

Parts lists

Spare parts information

Quote the part and serial no. (see type plate) and the item number of the required part (as per this parts list).

Obtain standard parts from your local supplier.

- | | | | |
|-----|--|-----|---|
| 001 | Diaphragm expansion vessel | 037 | DHW connection pipe |
| 002 | Connection line; diaphragm expansion vessel | 038 | Heating water flow connection pipe |
| 003 | Cap panel with gasket | 039 | Cold water connection |
| 004 | Profiled seal | 040 | Return connection pipe |
| 005 | Boiler flue connection | 050 | Flow unit |
| 006 | Plug | 051 | Return unit |
| 007 | Ventilation air gasket | 052 | Overflow valve |
| 008 | Flue gas gasket | 053 | Plug \varnothing 8/10 |
| 010 | Heat exchanger | 054 | Plate heat exchanger |
| 011 | Moulded hose, return | 055 | Profiled gasket |
| 012 | Condensate hose | 056 | Valve insert |
| 013 | Siphon | 057 | Overflow pipe |
| 015 | Hose (2300 mm long) | 062 | Burner gauze assembly |
| 016 | Hose (500 mm long) | 063 | Burner gauze assembly gasket |
| 017 | Hose (270 mm long) | 066 | Gasket burner flange |
| 019 | Condensate collector | 067 | Fan |
| 021 | Safety valve | 068 | Gas train |
| 023 | Hose ferrule | 069 | Burner door |
| 024 | Right-angle shut-off valve, DHW cylinder heating | 070 | Ignition unit |
| 025 | Connection line, DHW heating | 071 | Ionisation electrode gasket |
| 026 | Bezel | 072 | Ignition electrode gasket |
| 027 | Non-return valve | 074 | Gas nozzle |
| 028 | Air vent valve G $\frac{3}{8}$ | 075 | Venturi extension |
| 029 | Pressure gauge | 080 | Gasket set A 16 x 24 x 2.0 (5 pce) |
| 030 | Right-angle shut-off valve, cylinder cold water | 081 | Gasket set A 17 x 24 x 2.0 (5 pce) |
| 031 | Gas pipe | 082 | Gasket set A 10 x 15 x 1.5 (5 pce) |
| 032 | Flow pipe | 084 | Gasket 23 x 30 x 2.0 (5 pce) |
| 033 | Connection pipe, cold water, cylinder | 085 | O-ring gasket set 17.86 x 2.62 (5 pce) |
| 034 | Heating water flow connection pipe | 087 | O-ring 14.3 x 2.4 (5 pce) |
| 035 | Connection pipework, heating water return | 088 | O-ring 35.4 x 3.6 (5 pce) |
| 036 | Connection pipework, cold water | 089 | Set of plug-in connector retainers (2 pce) |
| | | 090 | Toggle fastener (4 pce) |
| | | 091 | Entry grommets (oblong) |
| | | 092 | Entry grommet (round) |
| | | 093 | Pipe clip \varnothing 18 (open at the side) |
| | | 094 | Pipe clip \varnothing 18/1.5 |
| | | 095 | Hose clip DN 25 |
| | | 096 | Clip \varnothing 8 (5 pce) |
| | | 097 | Clip \varnothing 10 (5 pce) |
| | | 098 | Clip \varnothing 15 (5 pce) |
| | | 099 | Clip \varnothing 18 (5 pce) |



Parts lists

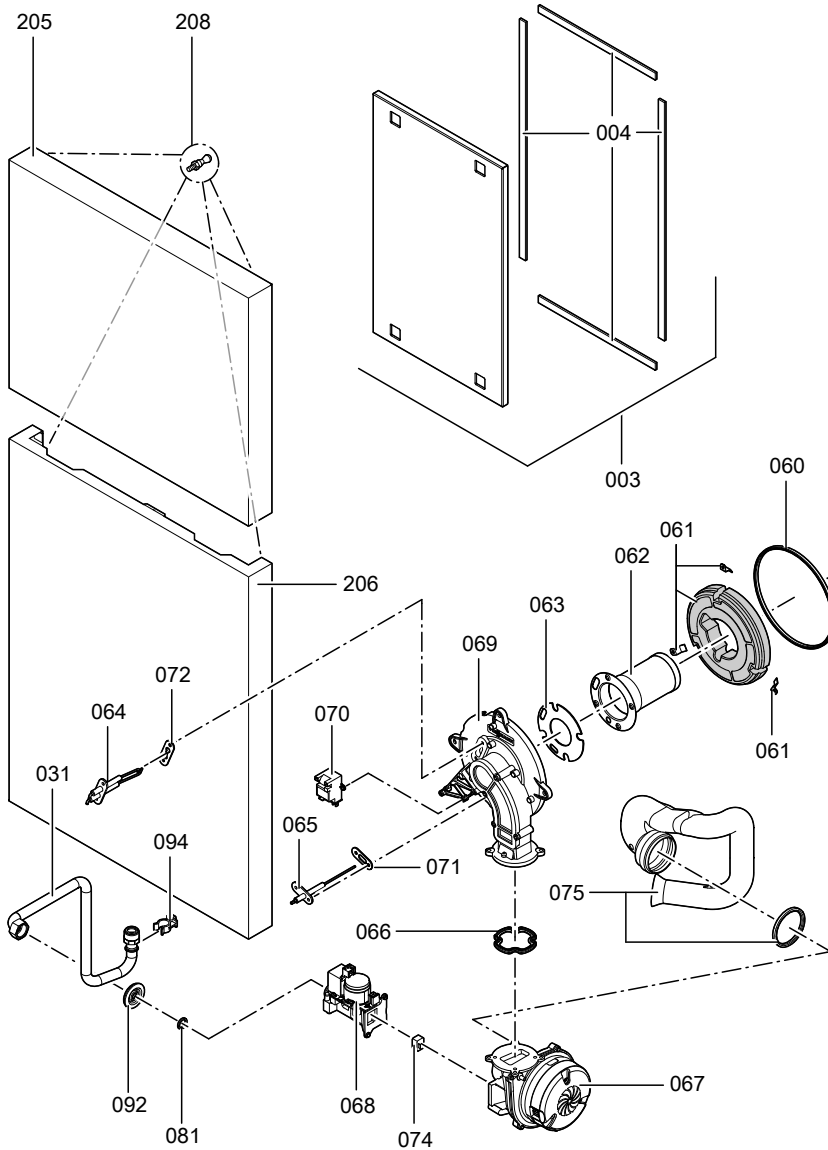
Parts lists (cont.)

- | | |
|---|--|
| 100 O-ring 8 x 2 (5 pce.) | 301 Casing back panel |
| 102 Locking clip, condensate drain | 302 Boiler coding card |
| 103 Drain plug (set) | 303 Fuse 6.3 A slow (10 pce.) |
| 104 Cap | 304 Fuse holder |
| 105 Hose \varnothing 10 x 1.5 x 750 | 305 Programming unit for weather-compensated mode |
| 106 Union nut G 1 | 306 Programming unit for constant temperature mode |
| 110 Quick-action air vent valve | 307 LON communication module (accessories) |
| 111 Cylinder mounting bracket | 308 PCB adaptor, LON module (accessories) |
| 112 Control unit support | 309 Internal extension H1 |
| 113 Top panel insert | 315 Locking bolts, left and right |
| 114 Plate heat exchanger insulation shell | 316 Slider, left and right |
| 115 Plate heat exchanger insulation board | 317 Outside temperature sensor |
| 117 Spring clip (5 pce) | |
| 130 VIUPM circulation pump | Wearing parts |
| 131 VIUP circulation pump | 060 Burner gasket |
| 133 VIUPM circulation pump motor | 061 Insulation ring |
| 134 VIUP circulation pump motor | 064 Ignition electrode with gasket |
| 137 VIUPM circulation pump ² | 065 Ionisation electrode with gasket |
| 138 Circulation pump motor ² | 165 Magnesium anode |
| 140 Flue gas temperature sensor | |
| 141 Thermal circuit breaker | Parts not shown |
| 142 Temperature sensor | 108 Special grease |
| 143 Cylinder temperature sensor | 139 HE pump conversion set ³ |
| 160 cylinder | 209 Touch-up paint stick, Vitowhite |
| 162 Sleeve | 210 Spray paint, Vitowhite |
| 163 Strain relief | 310 Cable harness X8/X9/ionisation |
| 164 Cylinder gasket | 311 Cable harness 100/35/54 (auxiliary earth) |
| 166 Anode flange with gasket | 312 Cable harness stepper motor |
| 167 Flange insulation | 313 Mating plug |
| 171 Sleeve | 314 Cable fixing |
| 172 Cover | 400 Operating instructions for constant temperature mode |
| 200 Side panel, left | 401 Operating instructions for weather-compensated mode |
| 202 Side panel, right | 402 Installation and service instructions |
| 204 Top cover | Ⓐ Type plate |
| 205 Front panel, top | |
| 206 Front panel, bottom | |
| 207 Adjustable foot | |
| 208 Fixing elements | |
| 300 Control unit | |

² Only spare part for HE pump conversion set, position number 139

³ For retro-fitting a HE pump.

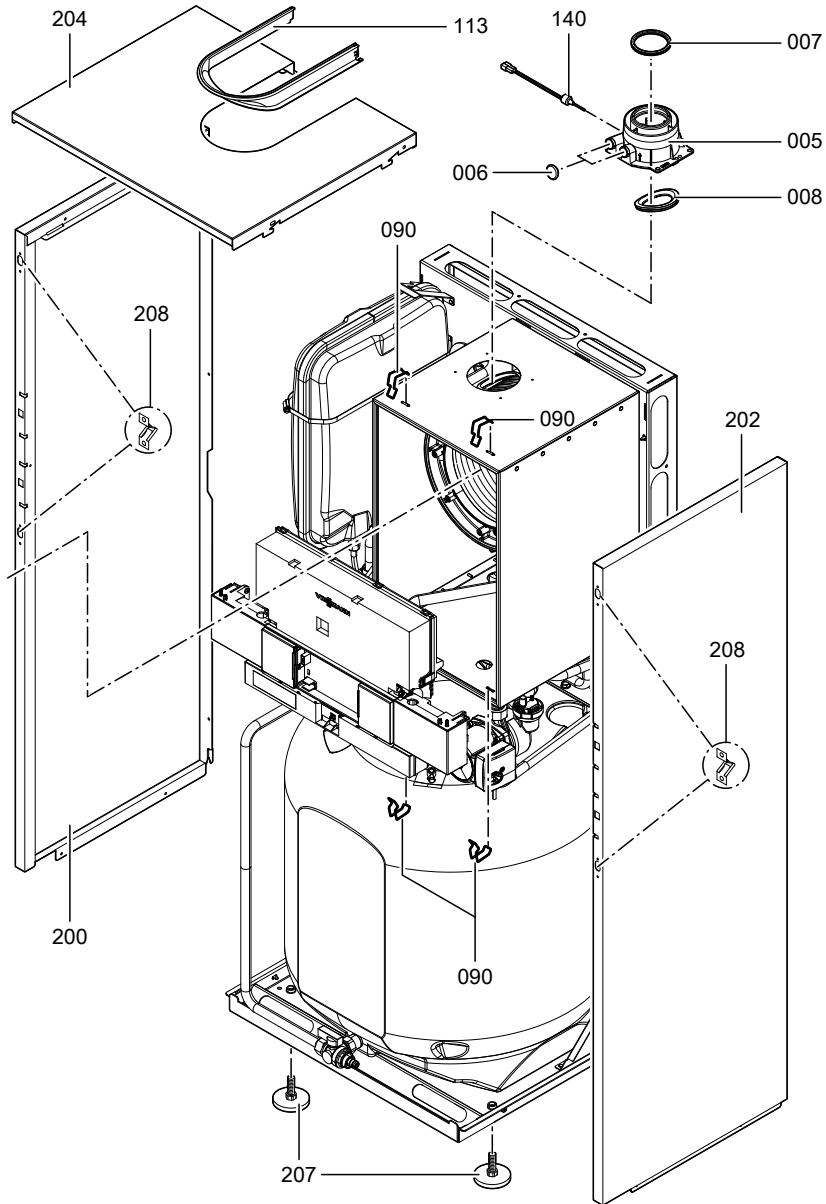
Parts lists (cont.)



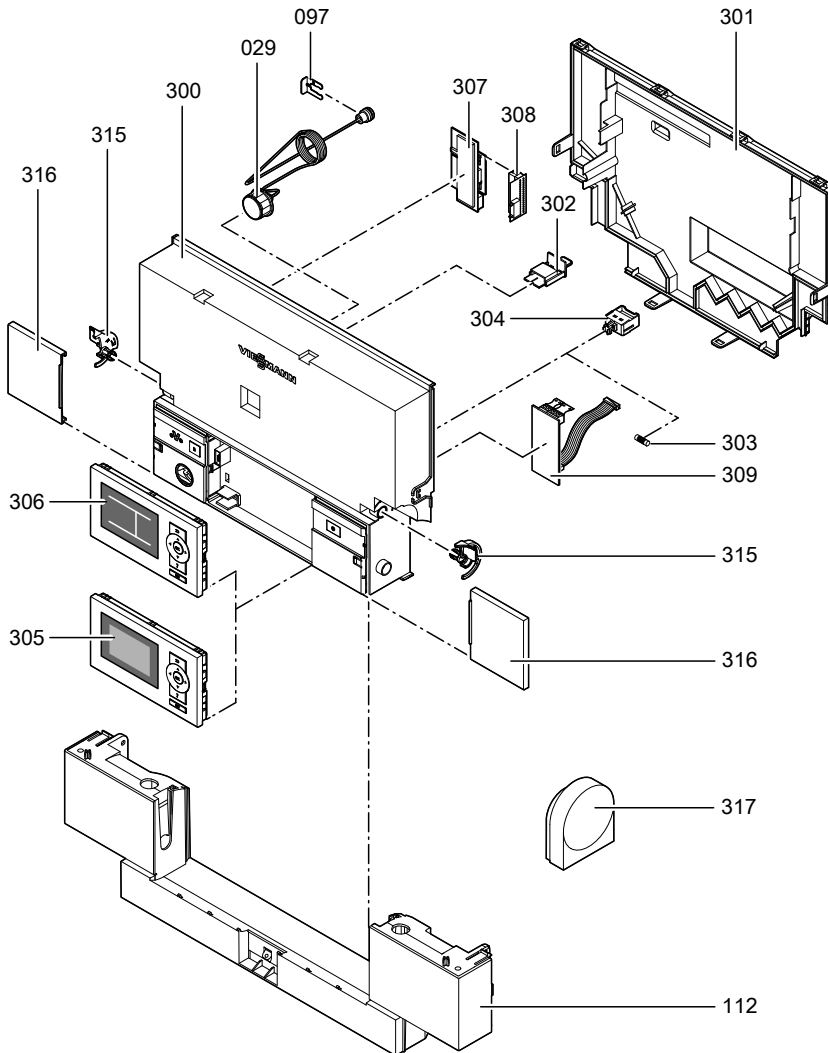
5457 552 GB

Service

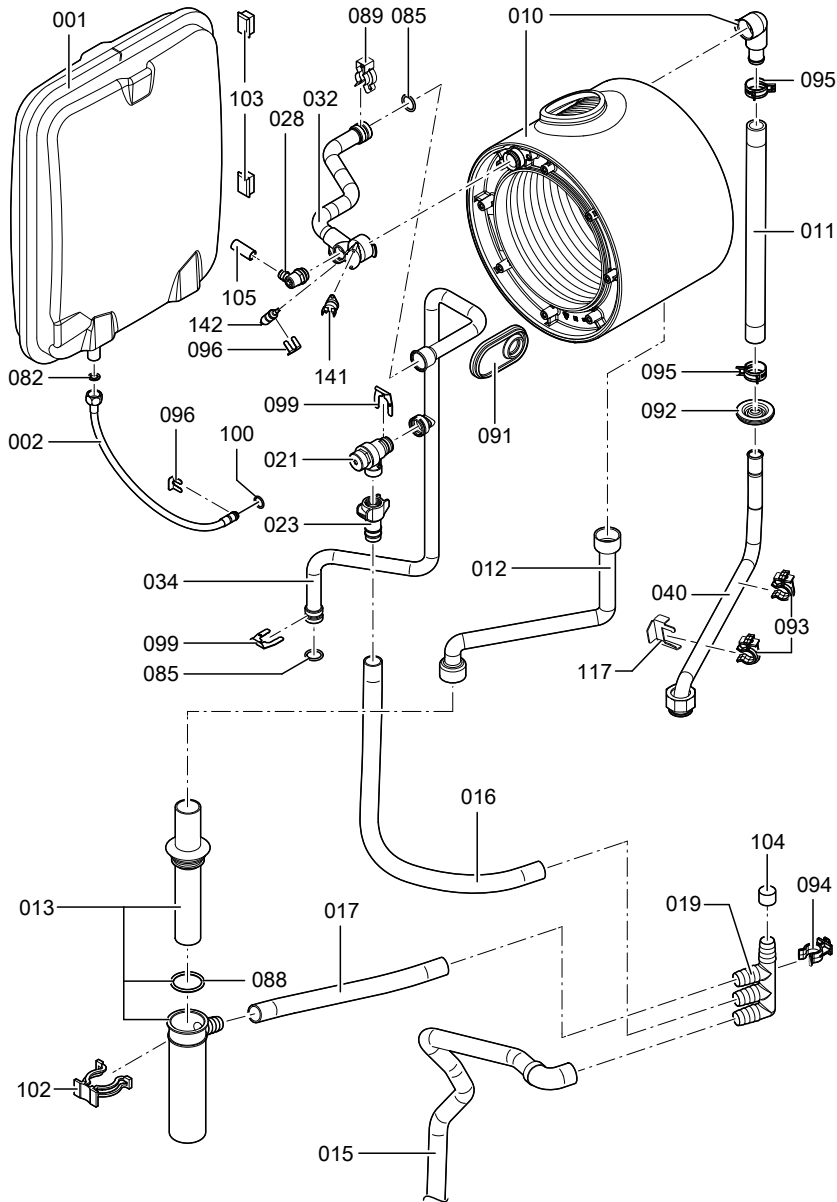
Parts lists (cont.)



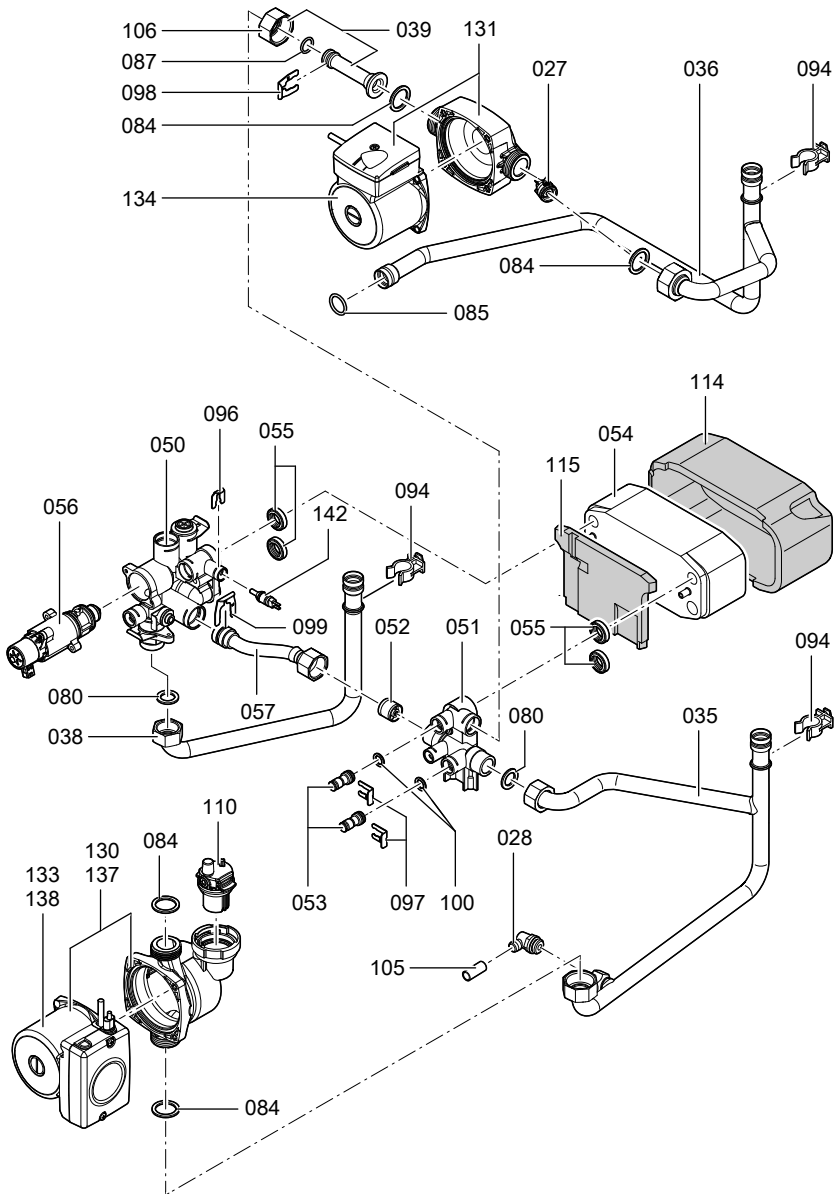
Parts lists (cont.)



Parts lists (cont.)



Parts lists (cont.)

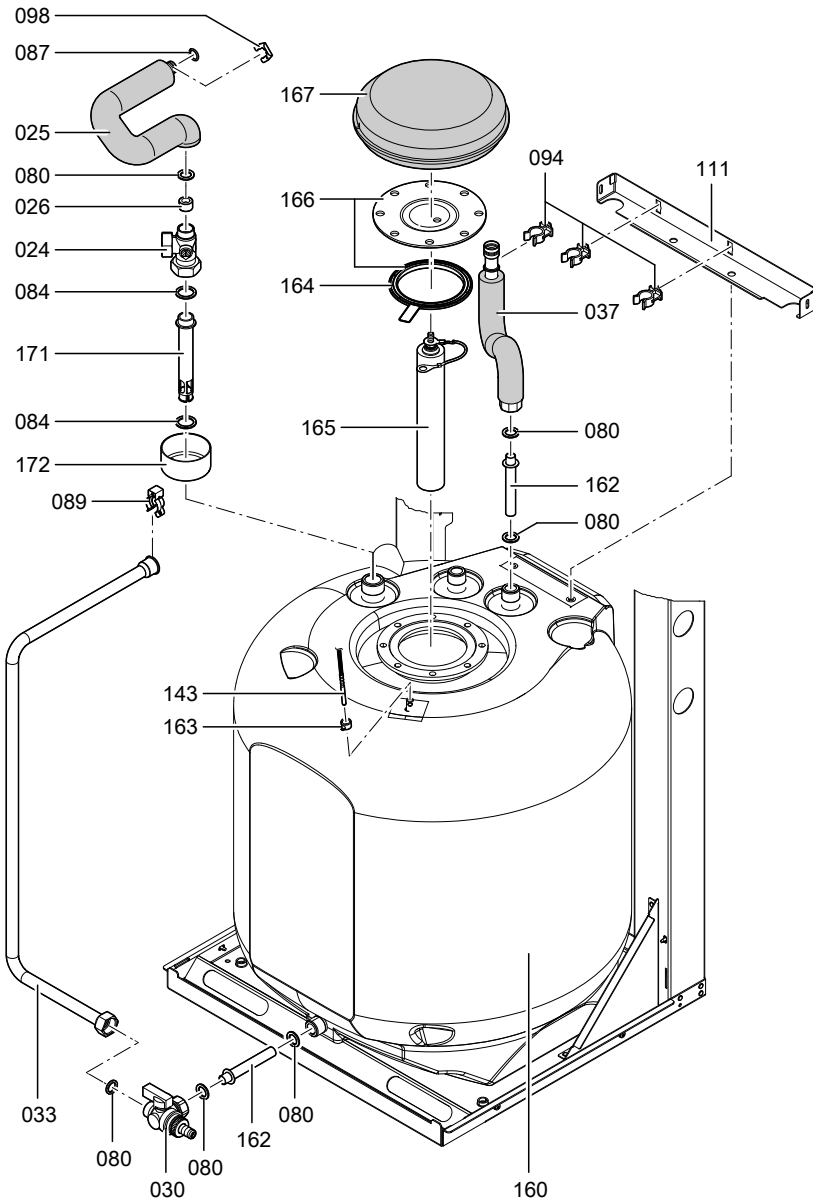


5457 552 GB

Service

Parts lists

Parts lists (cont.)



Commissioning/service reports

Setting and test values	Date: By:	Set value	Commissioning	Service
Static pressure	<i>mbar</i>	max. 57.5 mbar		
Supply pressure (flow pressure)				
<input type="checkbox"/> for natural gas H	<i>mbar</i>	17.4-25 mbar		
<input type="checkbox"/> for LPG	<i>mbar</i>	25-47 mbar		
<i>Tick gas type</i>				
Carbon dioxide content CO₂				
■ at lower output	<i>% by vol.</i>			
■ at upper output	<i>% by vol.</i>			
Oxygen content O₂				
■ at lower output	<i>% by vol.</i>			
■ at upper output	<i>% by vol.</i>			
Carbon monoxide content CO				
■ at lower output	<i>ppm</i>			
■ at upper output	<i>ppm</i>			

Service

Specification

Specification

Rated voltage	230 V	Electronic temperature limiter setting	81 °C
Rated frequency	50 Hz	Temperature limiter setting	100 °C (fixed)
Rated current	6 A	Line fuse (mains)	max. 16 A
Protection class	I		
IP rating	IP X 4 D to EN 60529		
Permissible ambient temperature			
■ during operation	0 to +40 °C		
■ during storage and transport	-20 to +65 °C		

Gas boilers

Rated output range				
at T_V/T_R 50/30 °C	kW	4.8 to 19	6.5 to 26	8.8 to 36.9
for DHW heating	kW	4.3 to 17.2	5.9 to 29.3	8.0 to 34.9
Rated thermal load range				
for central heating	kW	4.5 to 17.9	6.2 to 30.5	8.3 to 34.9
Power consumption (max.)				
with two-stage pump	W	150	150	210
with variable speed, high efficiency pump	W	100	100	160
Connection values				
in relation to the max. load				
Natural gas E	m ³ /h	1.89	3.23	3.86
Natural gas LL	m ³ /h	2.20	3.75	4.48
LPG	kg/h	1.40	2.39	2.85
Product ID	CE-0085BU0051			

Note

The supply values are only for documentation purposes (e.g. in the gas contract application) or to estimate the supplementary volumetric settings. Because of factory settings, the gas pressure must not be altered from these settings. Reference: 15 °C, 1013 mbar.

Declaration of conformity

Declaration of conformity for the Vitodens 222-F

We, Viessmann Werke GmbH&Co KG, D-35107 Allendorf, confirm as sole responsible body that the product **Vitodens 222-F** complies with the following standards:

DIN 4753	EN 55 014
EN 483	EN 60 335-1
EN 625	EN 60 335-2-102
EN 677	EN 61 000-3-2
EN 806	EN 61 000-3-3
EN 12897	EN 62 233

In accordance with the following Directives, this product is designated **CE-0085**:

97/23/EC	2006/ 95/EC
92/42/EEC	2009/142/EC
2004/108/EC	

This product meets the requirements of the Efficiency Directive (92/42/EEC) for **condensing boilers**.

Allendorf, 1 February 2010

Viessmann Werke GmbH&Co KG



pp. Manfred Sommer

Certificates

Manufacturer's certificate according to the 1st BImSchV [Germany]

We, Viessmann Werke GmbH&Co KG, D-35107 Allendorf, confirm that the product **Vitodens 222-F** complies with the NO_x limits specified by the 1st BImSchV paragraph 7 (2) [Germany].

Allendorf, 1 February 2010

Viessmann Werke GmbH&Co KG

A handwritten signature in black ink, appearing to read 'M. Sommer', written in a cursive style.

pp. Manfred Sommer

Keyword index

A

Acknowledging a fault display.....102

B

Boiler draining

■ DHW side.....41

Boiler temperature sensor.....118

Boosting DHW heating.....129

Brief scans.....95

Burner gasket.....35

Burner gauze assembly.....35

Burner installation.....36

Burner removal.....34

C

Calling up fault messages.....102, 103

Calling up the service level.....94

Calling up the service menu.....94

Checking the combustion quality.....45

Code 1

■ Calling up.....61

Code 2

■ Calling up.....72

Codes for commissioning.....47

Combustion chamber cleaning.....36

Combustion controller.....144

Commissioning.....23

Commissioning/service report.....157

Condensate drain.....38

Connection diagrams.....146

Control unit.....126

Control unit maintenance position....115

Cylinder cleaning.....42

Cylinder temperature sensor.....118

D

Date setting.....25

Diaphragm expansion vessel.....23

Draining the boiler

■ Heating water side.....116

E

Electronic combustion controller.....144

Extension

■ AM1.....132

■ EA1.....134

■ internal.....130, 131

Extension kit for heating circuit with mixer124

External blocking.....137

External demand.....137

F

Fault codes.....104

Fault history.....102

Fault manager.....57

Fault memory.....102, 103

Faults.....102

Fill function.....138

Filling the system.....23

Flow temperature sensor.....118

Flue gas temperature sensor.....121

Function descriptions.....126

Function testing.....99

Fuse.....124

G

Gas supply pressure.....32

Gas train31

Gas type.....28

Gas type conversion.....29

H

Heat exchanger cleaning.....36

Heating curve.....53

Heating curve level.....55

Heating curve slope.....55

Heating program changeover.....136

Heat-up time.....142

Hiding a fault display.....102

Keyword index (cont.)

I

Ignition.....36
 Ignition electrodes.....36
 Ionisation electrode.....36

L

Language selection.....25
 LON.....56
 ■ Fault monitoring.....57
 ■ Setting subscriber numbers.....56
 LON communication module.....56
 LON subscriber check.....57

M

Magnesium anode
 ■ Checking the anode.....43
 ■ Checking the anode connection.....38
 ■ Replacing the anode.....43
 ■ Testing the anode current.....39
 Manufacturer's certificate160

O

Outlet temperature sensor.....120
 Output setting.....32
 Outside temperature sensor.....116

P

Parts list.....149
 Plate heat exchanger.....122
 Protective anode
 ■ Checking the anode.....43
 ■ Checking the anode connection.....38
 ■ Replacing the anode.....43
 ■ Testing the anode current.....39

R

Reduced room temperature.....56
 Reduced room temperature raising. 141
 Reducing the heat-up output.....141
 Reducing the heat-up time.....142

Relay test.....99
 Remote control.....144
 Removing the front panels.....23
 Reports.....157
 Resetting codes.....61, 72
 Room temperature adjustment.....55
 Rotational direction of mixer motor
 ■ Changing.....125
 ■ Checking.....125

S

Safety chain123
 Scanning operating conditions.....94
 Scanning operating data.....94
 Screed drying.....138
 Screed drying function.....138
 Siphon.....38
 Specification158
 Standard room temperature.....55
 Static pressure.....31
 Supply pressure.....31
 System pressure.....23
 System schemes.....47, 61
 System version.....48

T

Temperature limiter.....123
 Tightness test, balanced flue system.33
 Time setting.....25

V

Venting.....26
 Venting program.....138
 Vitocom 300.....56
 Vitotronic 200-H.....56, 125

W

Wiring diagram.....146



Applicability

Compact gas condensing boiler

Type FS2B	from serial no.
4.8 to 19 kW	7438 004 ... , 7438 007 ...
6.5 to 26 kW	7438 005 ... , 7438 008 ...
8.8 to 35 kW	7438 006 ... , 7438 009 ...

Viessmann Werke GmbH&Co KG
D-35107 Allendorf
Telephone: +49 6452 70-0
Fax: +49 6452 70-2780
www.viessmann.com

Viessmann Limited
Hortonwood 30, Telford
Shropshire, TF1 7YP, GB
Telephone: +44 1952 675000
Fax: +44 1952 675040
E-mail: info-uk@viessmann.com

5457 552 GB Subject to technical modifications.