

Gas type conversion to G 31

for Vitodens 100-W, type WB1C

Safety instructions



Please follow these safety instructions closely to prevent accidents and material losses.

Safety instructions explained



Danger

This symbol warns against the risk of injury.



Please note

This symbol warns against the risk of material losses and environmental pollution.

Note

Details identified by the word "Note" contain additional information.

Installation, initial start-up, inspection, maintenance and repairs must only be carried out by a competent person (heating engineer/installation contractor).

Before working on the equipment/heating system, isolate the power supply (e.g. by removing a separate mains fuse or by means of a mains isolator) and safeguard against unauthorised reconnection.

When using gas as fuel, also close the main gas shut-off valve and safeguard against unauthorised reopening.

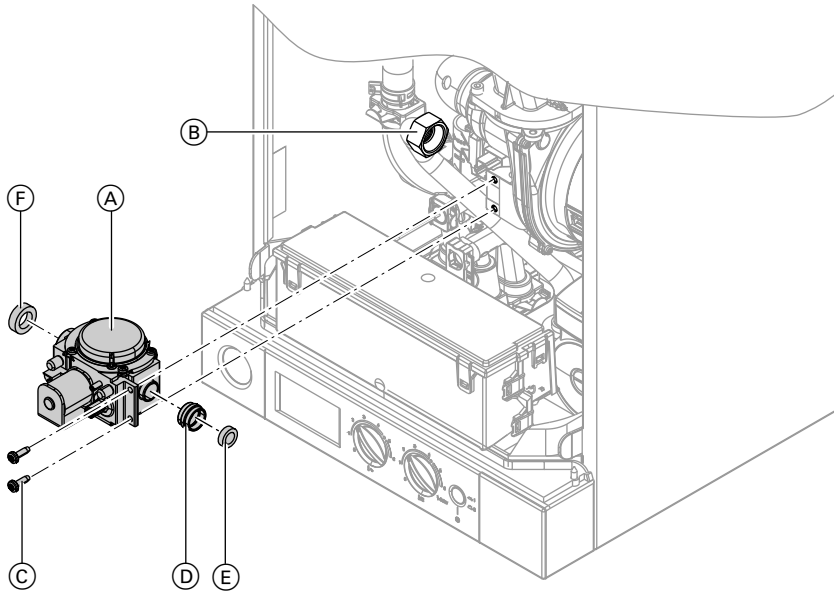
Repairing components which fulfil a safety function can compromise the safe operation of your heating system. For replacements, use only original spare parts supplied or approved by Viessmann.

Opening the Vitodens



Installation and service instructions

Replacing the gas restrictor



1. Pull cable from gas train (A).
2. Undo union nut (B).
3. Undo two screws (C) and remove gas train (A).
4. Remove gasket (D) from gas train (A).
5. Insert the coloured gasket (D) and gas restrictor (E) from the conversion kit into gas train (A).
6. Fit gas train (A).
Fixing screw torque (C): 3 Nm.
Union nut torque (B): 30 Nm.

7. Start the boiler and check for leaks.



Danger

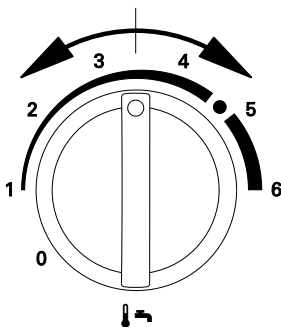
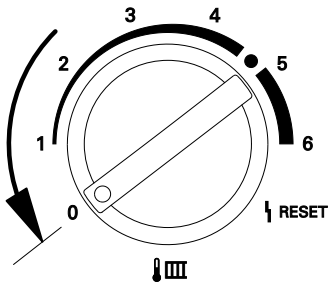
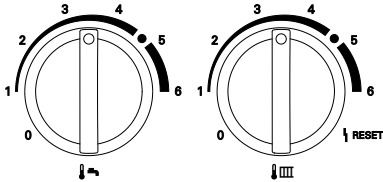
Escaping gas leads to a risk of explosion.
Check gas equipment for tightness.



Please note

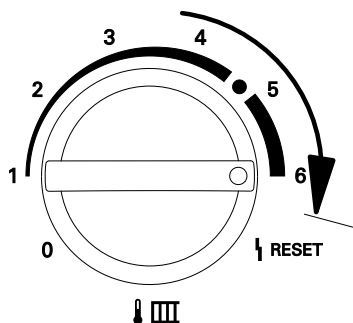
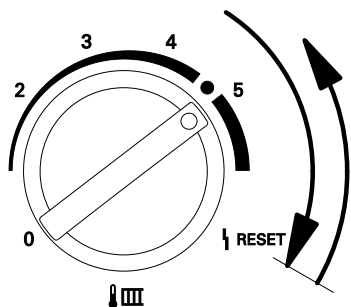
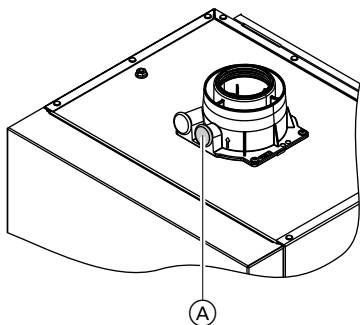
The use of leak detecting spray can result in incorrect functions.
Leak detecting spray must not reach electrical contacts or seal diaphragm openings on the gas valve.

Converting gas type at the control unit



1. Switch ON/OFF switch ON.
2. Simultaneously turn rotary selectors "🔥" and "🔥||| " to their central positions.
"SERV" appears on the display.
3. Turn rotary selector "🔥||| " fully anti-clockwise within 2 s.
"🔥" and the set value flash in the display.
4. Adjust the control unit to natural gas or LPG by turning the rotary selector "🔥".
The display shows:
 - "0" for operation with natural gas
or
 - "1" for operation with LPG
5. The set operating mode is saved when the value stops flashing, and the control unit returns to standard mode.

Checking the CO₂ content



1. Connect a flue gas analyser at flue gas port (A) on the boiler flue connection.

2. Start the boiler.

3. Turn rotary selector "🌡️" fully clockwise for less than 2 s and then back to the control range on the right.

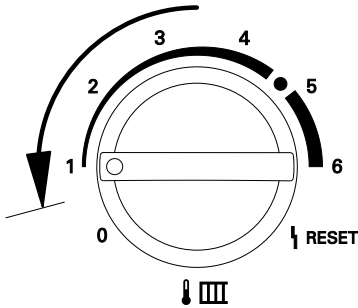
The display shows "SERV", "👁️" and the boiler water temperature is displayed.

4. Adjust the upper output:
Turn rotary selector "🌡️" to the control range on the right until the display shows 5 bars for the upper output.

5. Test the CO₂ content for upper output.

The CO₂ content must be between 10.0 and 12.0 %.

Checking the CO₂ content (cont.)



6. Adjust the lower output:
Turn rotary selector "📊" to the control range on the left until the display shows 1 bar for the lower output.
7. Test the CO₂ content for lower output.
The CO₂ content must be between 0.3 and 0.9 % below the value for the upper output.
8.
 - If the CO₂ content is within the given range, continue with point 10
 - If the CO₂ content is **outside** the given range, check the flue gas/ventilation air system for tightness; remedy any leaks.
Replace gas train if required
9. Test the CO₂ content for upper and lower output again.
10. Shut the boiler down, remove flue gas analyser and close flue gas port (A).
11. Return rotary selectors "📊" and "📊" to their original positions.
12. Select the appropriate label from "Gas type" labels supplied and affix it next to the type plate on top of the boiler.

Note
The delivered condition shown on the type plate then no longer applies.
13. Fit front panel and start the boiler.





Viessmann Werke GmbH&Co KG
D-35107 Allendorf
Telephone: +49 6452 70-0
Fax: +49 6452 70-2780
www.viessmann.com

Viessmann Limited
Hortonwood 30, Telford
Shropshire, TF1 7YP, GB
Telephone: +44 1952 675000
Fax: +44 1952 675040
E-mail: info-uk@viessmann.com

5602 973 GB Subject to technical modifications.



Printed on environmentally friendly,
chlorine-free bleached paper